



Side by Side Refrigerator

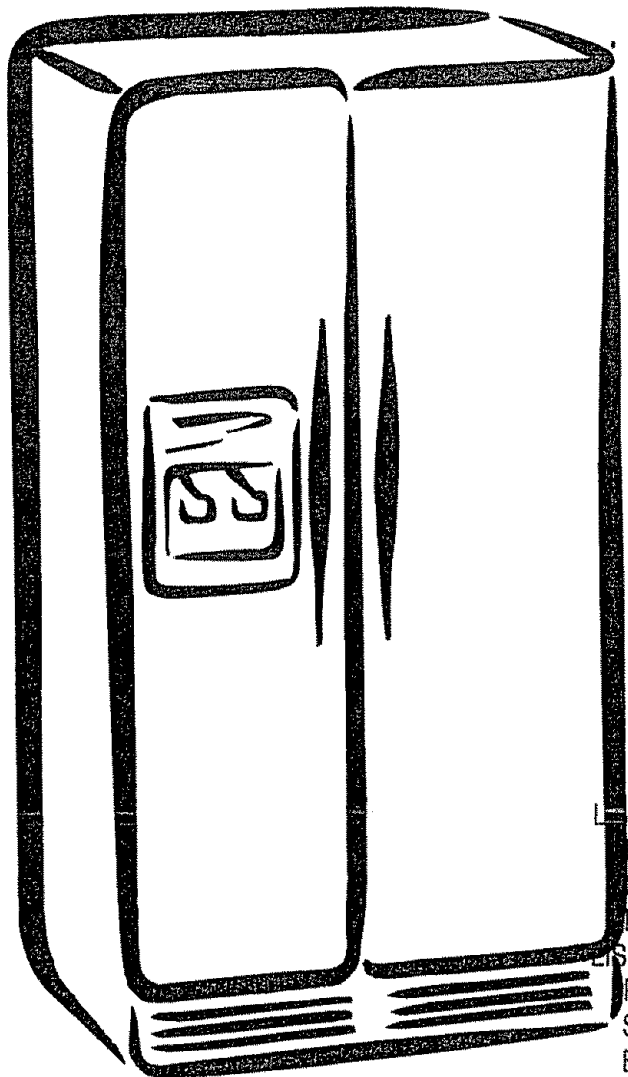
Use & Care Guide

Refrigerador de dos puertas

Manual de uso y cuidado

Réfrigérateur côte à côte

Guide d'utilisation et d'entretien



ENGLISH | ESPAÑOL | FRANÇAIS

TABLE OF CONTENTS

WARRANTY	2
REFRIGERATOR SAFETY	3
PARTS AND FEATURES	4
INSTALLING YOUR REFRIGERATOR.....	5
Unpacking Your Refrigerator	5
Space Requirements	5
Electrical Requirements	6
Removing the Doors	6
Removing the Door Handles	7
Connecting the Refrigerator to a Water Source	7
Water System Preparation	8
Base Grille	9
Door Closing and Alignment	9
Understanding Sounds You May Hear	10
USING YOUR REFRIGERATOR	10
Ensuring Proper Air Circulation	10
Setting the Controls	10
Adjusting Control Settings	11
REFRIGERATOR FEATURES	11
Ice Maker Storage Bin	11
Water and Ice Dispensers	12
Water Filtration and Monitoring System	13
Refrigerator Shelves	14
Flip-up Shelf	15
Egg Bin	15
Can/Bottle Rack	15
Convertible Vegetable/Meat Drawer and Cover	15
Convertible Vegetable/Meat Drawer Temperature Control	16
Crisper and Crisper Cover	16
Crisper Humidity Control	16
Deli Drawer	17
Door Rails	17
Door Bins	17
Freezer Shelf	17
Freezer Basket	18
CARING FOR YOUR REFRIGERATOR.....	18
Cleaning Your Refrigerator	18
Changing the Light Bulbs	19
Power Interruptions	19
Vacation and Moving Care	20
TROUBLESHOOTING	20
SEARS MAINTENANCE AGREEMENT	23
WATER FILTER CERTIFICATIONS	24

WARRANTY

ONE-YEAR FULL WARRANTY ON REFRIGERATOR

For one year from the date of purchase, when this refrigerator is operated and maintained according to instructions attached to or furnished with the product, Sears will repair this refrigerator, free of charge, if defective in material or workmanship.

FIVE-YEAR FULL WARRANTY ON SEALED REFRIGERATION SYSTEM

For five years from the date of purchase, when this refrigerator is operated and maintained according to owner's instructions attached to or furnished with the product, Sears will repair the sealed system (consisting of refrigeration, connecting tubing, and compressor), free of charge, if defective in materials or workmanship.

The above warranty coverage applies only to refrigerators which are used for storage of food for private household purposes and excludes original and replacement Kenmore Filtered Ice & Water filter cartridges (if equipped with the filter system). Original and replacement cartridges are warranted for 30 days, parts only, against defects in material or workmanship.

WARRANTY SERVICE IS AVAILABLE BY CONTACTING THE NEAREST SEARS SERVICE CENTER IN THE UNITED STATES OR CANADA.

This warranty applies only while this product is in use in the United States or Canada. This warranty gives you specific legal rights, and you may also have other rights which vary from state to state or province to province.

Warranty terms may vary in Canada. Contact your local Sears Service Center for complete details.

Sears, Roebuck and Co.
D/817WA, Hoffman Estates, IL 60179

Sears Canada, Inc., Toronto, Ontario, Canada M5B 2B8

In the space below, record your complete model number, serial number, and purchase date. You can find this information on the model and serial number label located as shown in the Parts And Features section of this book.

Have this information available to help you obtain assistance or service more quickly whenever you contact Sears concerning your refrigerator.

Model number 106. _____

Serial number _____

Purchase date _____

Save these instructions and your sales receipt for future reference.

REFRIGERATOR SAFETY

Your safety and the safety of others are very important.

We have provided many important safety messages in this manual and on your appliance. Always read and obey all safety messages.



This is the safety alert symbol.

This symbol alerts you to potential hazards that can kill or hurt you and others.

All safety messages will follow the safety alert symbol and either the word "DANGER" or "WARNING." These words mean:

⚠ DANGER

You can be killed or seriously injured if you don't immediately follow instructions.

⚠ WARNING

You can be killed or seriously injured if you don't follow instructions.

All safety messages will tell you what the potential hazard is, tell you how to reduce the chance of injury, and tell you what can happen if the instructions are not followed.

IMPORTANT SAFETY INSTRUCTIONS

WARNING: To reduce the risk of fire, electric shock, or injury when using your refrigerator, follow these basic precautions:

- Plug into a grounded 3 prong outlet.
- Do not remove ground prong.
- Do not use an adapter.
- Do not use an extension cord.
- Disconnect power before servicing.
- Replace all panels before operating.
- Remove doors from your old refrigerator.
- Use nonflammable cleaner.
- Keep flammable materials and vapors, such as gasoline, away from refrigerator.
- Use two or more people to move and install refrigerator.
- Disconnect power before installing ice maker (on ice maker kit ready models only).
- Use a sturdy glass when dispensing ice or water (on some models).

SAVE THESE INSTRUCTIONS

Proper Disposal of Your Old Refrigerator

⚠ WARNING

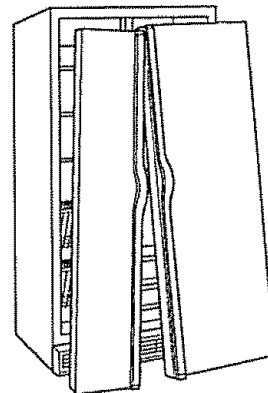
Suffocation Hazard

Remove doors from your old refrigerator.

Failure to do so can result in death or brain damage.

Before you throw away your old refrigerator or freezer:

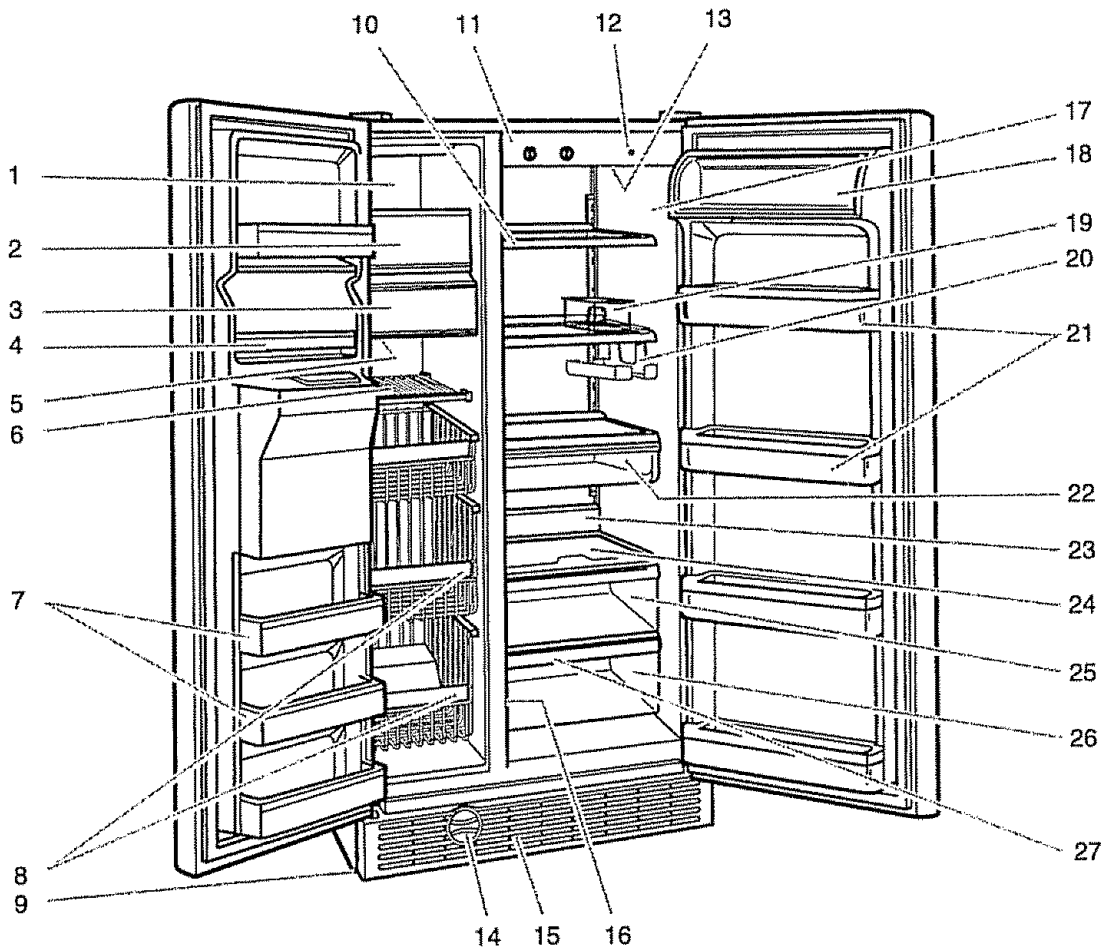
- Take off the doors.
- Leave the shelves in place so that children may not easily climb inside.



IMPORTANT: Child entrapment and suffocation are not problems of the past. Junked or abandoned refrigerators are still dangerous – even if they will sit for "just a few days." If you are getting rid of your old refrigerator, please follow these instructions to help prevent accidents.

PARTS AND FEATURES

This manual covers several different models. The refrigerator you have purchased may have some or all of the items listed. The locations of the features may not match your model.



- 1. Upper Freezer Light
- 2. Automatic Ice Maker
- 3. Ice Storage Bin
- 4. Drop-in Door Rails
- 5. Freezer Light (below ice storage bin)
- 6. Removable Shelves
- 7. Snap-on Door Rails
- 8. Freezer Bins/Baskets (on some models)
- 9. Front and Rear Leveling Rollers (behind base grille)
- 10. Slide-out Shelves
- 11. Control Panel
- 12. Light Switch
- 13. Refrigerator Light
- 14. Water Filtration System (on some models)
- 15. Base Grille
- 16. Convertible Vegetable/Meat Drawer Temperature Control (on side wall)

- 17. Model and Serial Number Label (on side wall)
- 18. Dairy Compartment
- 19. Three-piece Egg Bin
- 20. Can/Bottle Rack
- 21. Door Bins (on some models)
- 22. Deli Drawer (on some models)
- 23. Crisper Light (on some models)
- 24. Slide-out Crisper Cover (on some models)
- 25. Crisper Drawer
- 26. Convertible Vegetable/Meat Drawer
- 27. Convertible Vegetable/Meat Drawer Cover

Other Parts and Features
(not shown in illustration above/optional on some models)
Crisper Humidity Control

INSTALLING YOUR REFRIGERATOR

Unpacking Your Refrigerator

⚠ WARNING

Excessive Weight Hazard

Use two or more people to move and install refrigerator.

Failure to do so can result in back or other injury.

Removing packaging materials

- Remove tape and any labels from your refrigerator before using (except the model and serial number label).

To remove any remaining tape or glue, rub the area briskly with your thumb. Tape or glue residue can also be easily removed by rubbing a small amount of liquid dish soap over the adhesive with your fingers. Wipe with warm water and dry.

- Do not use sharp instruments, rubbing alcohol, flammable fluids, or abrasive cleaners to remove tape or glue. These products can damage the surface of your refrigerator. For more information, see the "Refrigerator Safety" section.

IMPORTANT: Do not remove any permanent instruction labels inside your refrigerator, or the Tech Sheet that is fastened to the base grille.

When Moving Your Refrigerator:

Your refrigerator is heavy. When moving the refrigerator for cleaning or service, be sure to protect the floor.

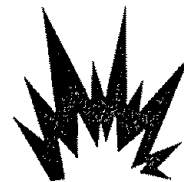
Always pull the refrigerator straight out when moving it. Do not wiggle or "walk" the refrigerator when trying to move it, as floor damage could occur.

Cleaning before use

After you remove all of the packaging materials, clean the inside of your refrigerator before using it. See the cleaning instructions in the "Caring for Your Refrigerator" section.

Space Requirements

⚠ WARNING

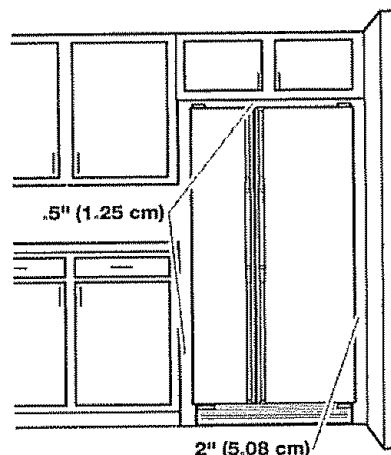


Explosion Hazard

Keep flammable materials and vapors, such as gasoline, away from refrigerator.

Failure to do so can result in death, explosion, or fire.

- To ensure proper ventilation for your refrigerator, allow for .5 in. (1.25 cm) space on each side and at the top



- If your refrigerator has an ice maker, make sure you leave some extra space at the back for the water line connections. The refrigerator can be flush against the back wall if you do not have an ice maker installed.
- If you are installing your refrigerator next to a fixed wall, leave 2 in. (5.08 cm) minimum on each side (depending on your model) to allow for the door to swing open.

NOTE: Do not install the refrigerator near an oven, radiator, or other heat source, nor in a location where the temperature will fall below 55°F (13°C).

Electrical Requirements

⚠ WARNING



Electrical Shock Hazard

Plug into a grounded 3 prong outlet.

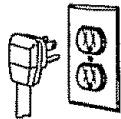
Do not remove ground prong.

Do not use an adapter.

Do not use an extension cord.

Failure to follow these instructions can result in death, fire, or electrical shock.

Before you move your refrigerator into its final location, it is important to make sure you have the proper electrical connection:



Recommended grounding method

A 115 Volt, 60 Hz, AC only 15 or 20 ampere fused, grounded electrical supply is required. It is recommended that a separate circuit serving only your refrigerator be provided. Use an outlet that cannot be turned off by a switch. Do not use an extension cord.

NOTE: Before performing any type of installation, cleaning, or removing a light bulb, turn the control, (Thermostat, Refrigerator or Freezer Control depending on the model) to OFF and then disconnect the refrigerator from the electrical source. When you are finished, reconnect the refrigerator to the electrical source and reset the control (Thermostat, Refrigerator or Freezer Control depending on the model) to the desired setting.

Removing the Doors

⚠ WARNING



Electrical Shock Hazard

Disconnect power before removing doors.

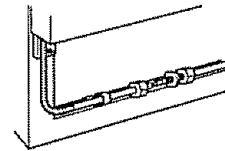
Failure to do so can result in death or electrical shock.

NOTE: Before removing doors, open both doors and remove base grille (see the "Base Grille" section).

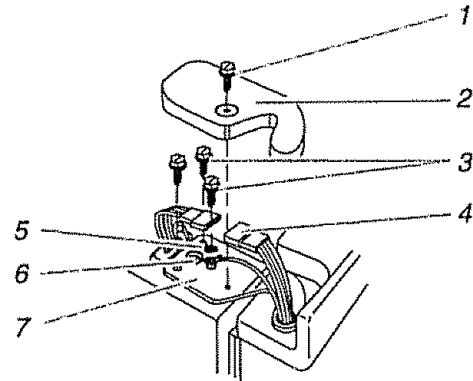
Tools Needed:

¼ in. hex-head socket wrench and 5/16 in. hex-head socket wrench.

1. Unplug refrigerator or disconnect power.
2. If you have a dispenser (ice or water), disconnect water line (behind base grille).
 - Remove hose from clip.
 - Disconnect union nut and slide it back onto tube.
 - Remove metal insert from tube.
 - Remove union nut and spring.

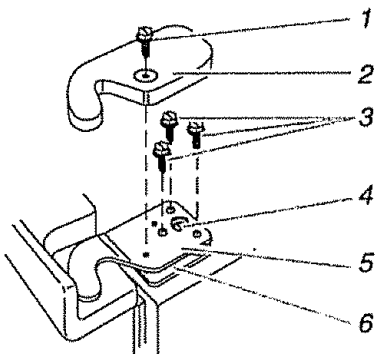


3. Remove left top hinge.
 - Remove hinge cover screw and hinge cover.
 - Remove hinge screws. **DO NOT REMOVE SCREW 6 AS SHOWN IN DIAGRAM.**
 - Disconnect wiring plug and both ground wires.



1. Hinge Cover Screw
2. Hinge Cover
3. Hinge Plate Screws
4. Wiring Plug
5. Ground Wires
6. Do not remove this screw
7. Hinge Plate

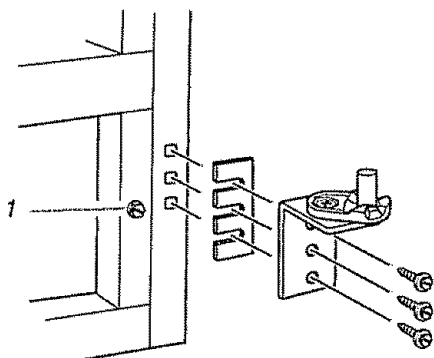
- Carefully lift door up off bottom hinge. Make sure you protect water line from damage.
4. Remove right top hinge.
- Remove hinge cover screw and hinge cover.
 - Remove hinge screws. **DO NOT REMOVE SCREW 4 AS SHOWN IN DIAGRAM.**



1. Hinge Cover Screw
2. Hinge Cover
3. Hinge Plate Screws
4. Do not remove this screw
5. Hinge
6. Shim

- Lift door up off bottom hinge.
5. Remove bottom hinge, if necessary. Both bottom hinges have similar construction. **DO NOT REMOVE SCREW 1 AS SHOWN IN DIAGRAM.**

NOTE: It may not be necessary to remove the bottom hinge to move refrigerator through a doorway.



6. Replace doors.

⚠ WARNING

Electrical Shock Hazard

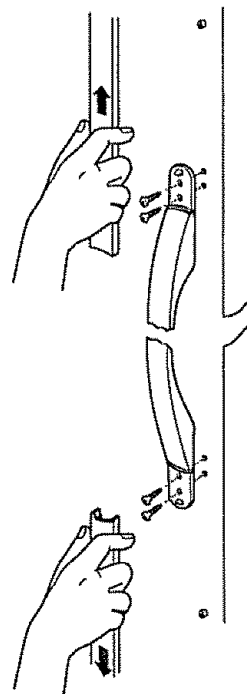
Reconnect both ground wires.

Failure to do so can result in death or electrical shock.

7. Reconnect wiring plug and both grounding wires.
8. Replace hinge cover and screws.
9. Plug in refrigerator or reconnect power.

Removing the Door Handles

Apply firm pressure with hand on face of trim. Slide top trim up and bottom trim down away from handle, then lift off of shoulder screws. Remove handle screws.



Connecting the Refrigerator to a Water Source

Read all directions carefully before you begin.

IMPORTANT:

- If operating the refrigerator before installing the water connection, turn ice maker to the OFF position to prevent operation without water.
- All installations must be in accordance with local plumbing code requirements.
- Use copper tubing and check for leaks.
- Install copper tubing only in areas where temperatures will remain above freezing.
- It may take up to 24 hours for your ice maker to begin producing ice.

Tools required:

- Standard screwdriver
- 7/16 in. and 1/2 in. open-end wrenches or two adjustable wrenches
- 1/4 in. nut driver
- 1/4 in. drill bit
- Hand drill or electric drill (properly grounded)

NOTE: Your refrigerator dealer has a kit available with a 1/4 in. (6.35 mm) saddle-type shut-off valve, a union, and copper tubing. Before purchasing, make sure a saddle-type valve complies with your local plumbing codes. Do not use a piercing-type or 3/16 in. (4.76 mm) saddle valve which reduces water flow and clogs more easily.

Cold water supply

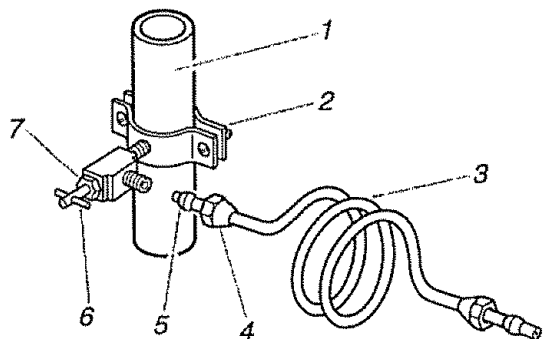
The ice maker water valve contains a flow washer which is used as a water pressure regulator. The ice maker needs to be connected to a cold water line with water pressure between 30 and 120 psi. If a problem occurs, call your utility company.

Connecting to water line:

1. Unplug refrigerator or disconnect power.
2. Turn OFF main water supply. Turn ON nearest faucet long enough to clear line of water.
3. Locate a ½ in. to 1¼ in. (12.7 mm to 3.18 cm) vertical COLD water pipe near the refrigerator.

NOTE: Horizontal pipe will work, but the following procedure must be followed: Drill on the top side of the pipe, not the bottom. This will help keep water away from the drill. This also keeps normal sediment from collecting in the valve.

4. To determine the length of copper tubing you will need, measure from connection on lower left rear of refrigerator to water pipe. Add 7 ft. (2.1 m) to allow for moving refrigerator for cleaning. Use ¼ in. (6.35 mm) O.D. (outside diameter) copper tubing. Be sure both ends of copper tubing are cut square.
5. Using a grounded drill, drill a ¼ in. hole in the cold water pipe you have selected.

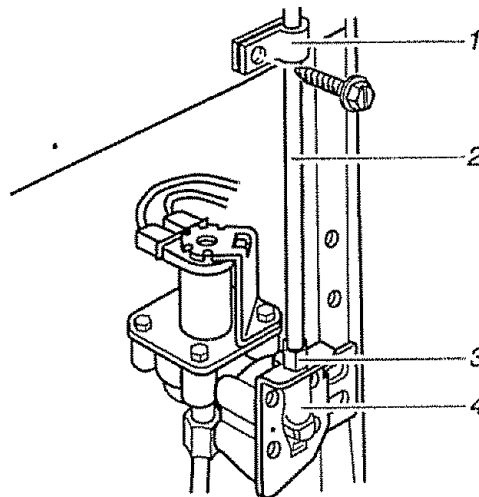


1. Cold Water Pipe
2. Pipe Clamp
3. Copper Tubing
4. Compression Nut
5. Compression Sleeve
6. Shut-Off Valve
7. Packing Nut

6. Fasten shut-off valve to cold water pipe with pipe clamp. Be sure outlet end is solidly in the ¼ in. drilled hole in the water pipe and that washer is under the pipe clamp. Tighten packing nut. Tighten the pipe clamp screws carefully and evenly so washer makes a watertight seal. Do not overtighten or you may crush the copper tubing, especially if soft (coiled) copper tubing is used. Now you are ready to connect the copper tubing.
7. Slip compression sleeve and compression nut on copper tubing as shown. Insert end of tubing into outlet end squarely as far as it will go. Screw compression nut onto outlet end with adjustable wrench. Do not overtighten.
8. Place the free end of the tubing into a container or sink, and turn ON main water supply and flush out tubing until water is clear. Turn OFF shut-off valve on the water pipe. Coil copper tubing.

Connecting to refrigerator:

1. Attach the copper tube to the valve inlet using a compression nut and sleeve as shown. Tighten the compression nut. Do not overtighten. Use the tube clamp on the back of the refrigerator to secure the tubing to the refrigerator as shown. This will help prevent damage to the tubing when the refrigerator is pushed back against the wall. Move to step 2.
2. Turn shut-off valve ON. Check for leaks. Tighten any connections (including connections at the valve) or nuts that leak.



1. Tube Clamp
2. Copper Tubing
3. Compression Nut
4. Valve Inlet

3. The ice maker is equipped with a built-in water strainer. If local water conditions require periodic cleaning or a well is your source of water supply, a second water strainer should be installed in the ¼ in. (6.35 mm) water line. Obtain a water strainer from your nearest appliance dealer. Install at either tube connection.

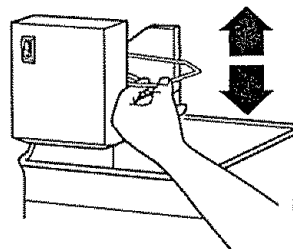
4. Plug in refrigerator or reconnect power.

Water System Preparation

Please read before using the water system.

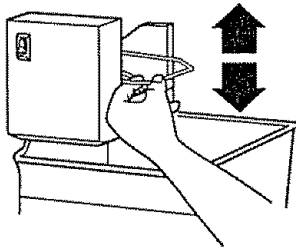
Immediately after installation, follow the steps below to make sure that the water system is properly cleaned.

1. Turn off the ice maker by opening the freezer door and lifting up the wire shut-off arm as shown.



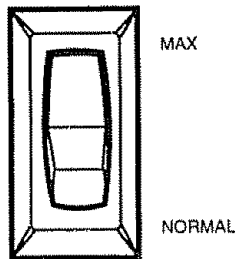
2. Flush the water system by dispensing and discarding 2 to 3 gallons (approximately 6 to 7 minutes) of water through the dispenser. This will clean the system and help clear air from the lines. Additional flushing may be required in some households.

- Turn on the ice maker by opening the freezer door and lowering the wire shut-off arm as shown. Allow 24 hours to produce the first batch of ice. Discard the first three batches of ice produced.



For normal ice production, set the switch on the front of the ice maker to NORMAL. In the normal ice production mode, the ice maker should produce approximately 7 to 9 batches of ice in a 24-hour period.

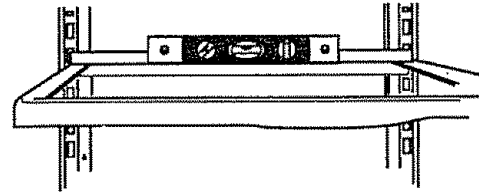
For maximum ice production (on some models), if your refrigerator has the maximum ice production feature, set the switch on the front of the ice maker to MAX. In max ice production mode, the ice maker should produce approximately 10 to 14 batches of ice in a 24-hour period.



Door Closing and Alignment

Door Closing

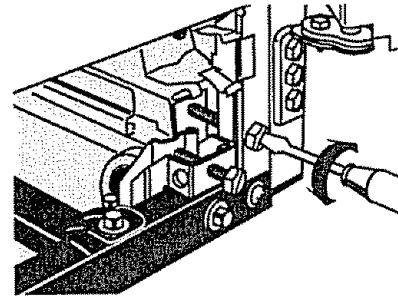
- Remove all shipping and packing materials.
- Plug in refrigerator.
- Move the refrigerator into its final position.
- Place a level inside the refrigerator at the back of the top shelf.



- Remove the base grille. The two leveling screws are part of the front roller assemblies which are at the base of the refrigerator on either side.
- Use a screwdriver to adjust the rear roller leveling screws until the refrigerator is level.

NOTE: Open and close both the refrigerator and freezer doors after each adjustment.

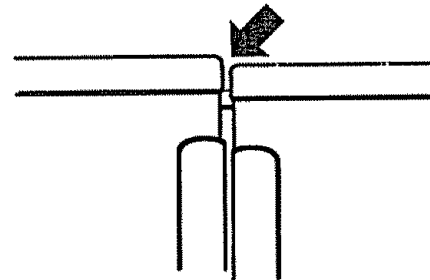
- Turn the rear roller leveling screw to the right to raise that side of the refrigerator or turn the leveling screw to the left to lower that side.



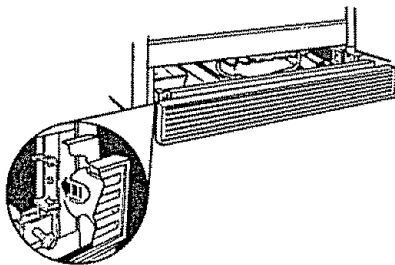
- Check the door alignment after leveling the refrigerator.

Door Alignment

If the doors are uneven after leveling the product, follow the steps below.



Base Grille



To remove the base grille:

- Open both refrigerator doors.
- Place hands along the ends of the grille, with your thumbs along the top. Push in with your thumbs and pull up on the bottom.

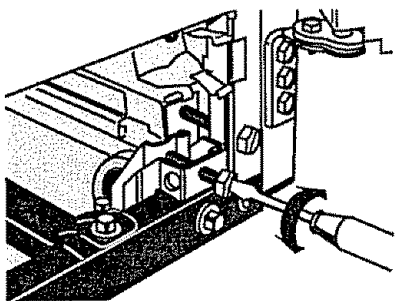
NOTE: Be sure to refasten the Tech Sheet behind the base grille after cleaning.

To replace the base grille:

- Open the doors.
- Line up the grille support tabs with the metal clips.
- Push the grille firmly to snap it into place.

- Use a screwdriver to adjust the front roller leveling screws until the doors are even.
 - Turn the front roller leveling screw to the right to raise that side of the refrigerator or turn the leveling screw to the left to lower that side.

NOTE: Open and close both the refrigerator and freezer doors after each adjustment to check the door alignment.



- Replace the base grille.

Understanding Sounds You May Hear

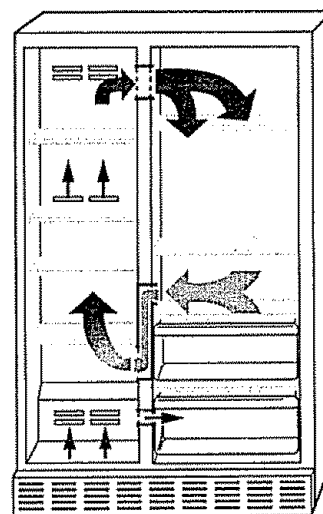
Your new refrigerator may make sounds that your old one didn't make. Because the sounds are new to you, you might be concerned about them. Most of the new sounds are normal. Hard surfaces, like the floor, walls, and cabinets, can make the sounds seem louder than they actually are. The following describes the kinds of sounds and what may be making them.

- If your product is equipped with an ice maker, you will hear a buzzing sound when the water valve opens to fill the ice maker for each cycle.
- The defrost timer will click when the automatic defrost cycle begins and ends. Also, the Thermostat Control (or Refrigerator Control depending on the model) will click when cycling on and off.
- Rattling noises may come from the flow of refrigerant, the water line, or items stored on top of the refrigerator.
- Your refrigerator is designed to run more efficiently to keep your food items at the desired temperature. The high efficiency compressor may cause your new refrigerator to run longer than your old one, and you may hear a pulsating or high-pitched sound.
- Water dripping on the defrost heater during a defrost cycle may cause a sizzling sound.
- You may hear the evaporator fan motor circulating the air through the refrigerator and freezer compartments.
- As each cycle ends, you may hear a gurgling sound due to the refrigerant flowing in your refrigerator.
- Contraction and expansion of the inside walls may cause a popping noise.
- You may hear air being forced over the condenser by the condenser fan.
- You may hear water running into the drain pan during the defrost cycle.

USING YOUR REFRIGERATOR

Ensuring Proper Air Circulation

In order to ensure proper temperatures, you need to permit air to flow between the two sections. Cold air enters the bottom of the freezer section and moves up. It then enters the refrigerator section through the top vent. Air then returns to the freezer as shown.



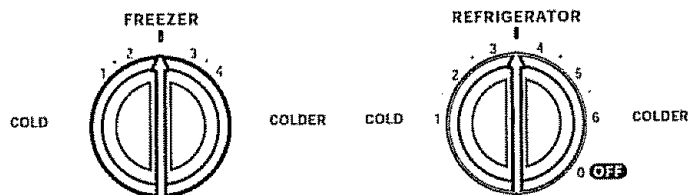
Do not block any of these vents with food such as soda, cereal, bread, etc. If the vents are blocked, airflow will be prevented and the temperature controls will not function properly.

IMPORTANT: Because air circulates between both sections, any odors formed in one section will transfer to the other. You must thoroughly clean both sections to eliminate odors. To prevent odor transfer from food, wrap or cover foods tightly.

Setting the Controls

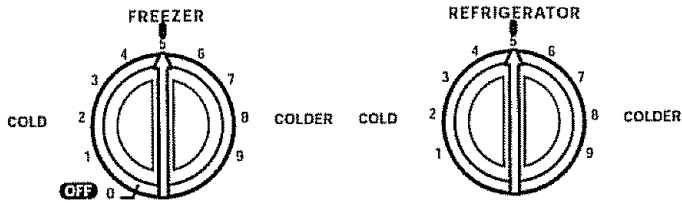
For your convenience, your refrigerator controls are preset at the factory. When you first install your refrigerator, make sure that the controls are still preset. The Refrigerator Control and the Freezer Control should both be at the "mid-settings" as shown in the illustrations below.

Style 1



NOTE: Your product will not cool when the REFRIGERATOR Control is set to OFF.

Style 2



NOTE: Your product will not cool when the FREEZER Control is set to OFF.

The Refrigerator Control adjusts the refrigerator compartment temperature. Settings to the left of the mid-setting make the temperature less cold. Settings to the right of the mid-setting make the temperature colder.

The Freezer Control adjusts the freezer compartment temperature. Settings to the left of the mid-setting make the temperature less cold. Settings to the right of the mid-setting make the temperature colder.

Give your refrigerator time to cool down completely before adding food. It is best to wait 24 hours before you put food into the refrigerator.

IMPORTANT: If you add food before the refrigerator has cooled completely, your food may spoil. Adjusting the Refrigerator and Freezer Controls to a higher (colder) than recommended setting will not cool the compartments any faster.

Adjusting Control Settings

Give the refrigerator time to cool down completely before adding food. It is best to wait 24 hours before you put food into the refrigerator. The settings indicated in the previous section should be correct for normal household refrigerator usage. The controls are set correctly when milk or juice is as cold as you like and when ice cream is firm.

If you need to adjust temperatures in the refrigerator or freezer, use the settings listed in the chart below as a guide. Wait at least 24 hours between adjustments.

CONDITION/REASON:	RECOMMENDED ADJUSTMENT:
REFRIGERATOR section too warm <ul style="list-style-type: none"> ■ Door opened often ■ Large amount of food added ■ Room temperature very warm 	Adjust REFRIGERATOR Control one setting higher For Style 1 controls only: after adjusting control, wait 24 hours and then check the FREEZER temperature
<ul style="list-style-type: none"> ■ Air vent blocked by items 	Move packages out of airstream
FREEZER section too warm/ice not made fast enough <ul style="list-style-type: none"> ■ Door opened often ■ Large amount of food added ■ Very cold room temperature (can't cycle often enough) ■ Heavy ice usage 	Adjust FREEZER Control one setting higher

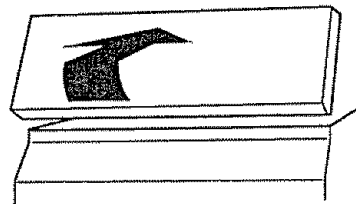
CONDITION/REASON:	RECOMMENDED ADJUSTMENT:
REFRIGERATOR section too cold <ul style="list-style-type: none"> ■ Controls not set correctly for your conditions 	Adjust REFRIGERATOR Control one setting lower For Style 1 controls only: after adjusting control, wait 24 hours and then check the FREEZER temperature
FREEZER section too cold <ul style="list-style-type: none"> ■ Controls not set correctly for your conditions 	Adjust FREEZER Control one setting lower

REFRIGERATOR FEATURES

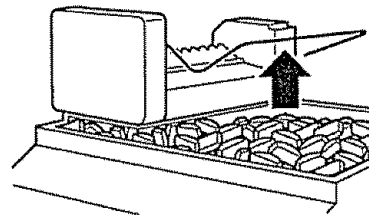
Ice Maker Storage Bin

To remove the ice bin:

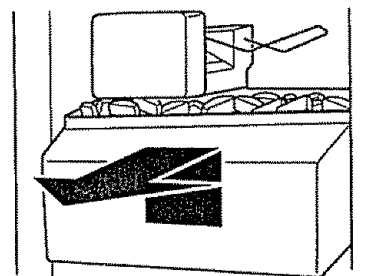
1. Pull the covering panel out from the bottom and then slide it back toward the rear.



2. Lift the wire shut-off arm so it clicks into the OFF (up) position. Ice can still be dispensed, but no more can be made.



3. Lift up the front of the storage bin and pull it out.

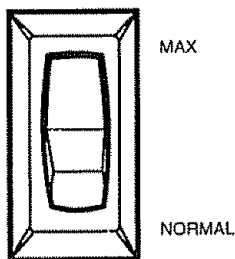


ENGLISH

4. Empty the ice bin. Use warm water to melt the ice if necessary. **Never use anything sharp** to break up the ice in the bin. This can cause damage to the bin and the dispenser mechanism.
5. Wash with a mild detergent, rinse well and dry thoroughly. Do not use harsh or abrasive cleaners or solvents.
6. **When you replace the bin**, make sure it is pushed in all the way or the dispenser will not work. Then push the wire shut-off arm down to the ON position to restart ice production. Make sure the door is closed tightly.


For normal ice production, set the switch on the front of the ice maker to **NORMAL**. In the normal ice mode, the ice maker should produce 7 to 9 batches of ice in a 24-hour period.

For maximum ice production (on some models), if your refrigerator has the maximum ice production feature, set the switch on the front of the ice maker to **MAX**. In the maximum ice production mode, the ice maker should produce approximately 10 to 14 batches of ice in a 24-hour period.



Water and Ice Dispensers (on some models)

⚠ WARNING



Cut Hazard

Use a sturdy glass when dispensing ice or water.
Failure to do so can result in cuts.

Depending on your model, you may have one or more of the following options: the ability to select either crushed or cubed ice, a special light that turns on when you use the dispenser, or a lock option to avoid accidental dispensing.

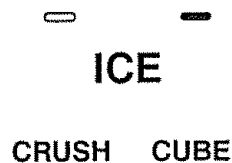
The ice dispenser

Ice dispenses from the ice maker storage bin in the freezer. When the dispenser lever is pressed:

- A trap door opens in a chute between the dispenser and the ice bin.
- Ice moves from the bin and falls through the chute.
- When you release the dispenser lever, the trap door closes and the ice dispensing stops. The dispensing system will not operate when the freezer door is open.

Some models dispense both cubed and crushed ice. Before dispensing ice, select which type of ice you prefer. The button controls are designed for easy use and cleaning.

- For cubed ice, press the **CUBE** button until the red indicator appears in the window above the **CUBE** button.

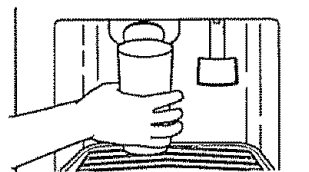


- For crushed ice, press the **CRUSH** button until the red indicator appears in the window above the **CRUSH** button.

For crushed ice, cubes are crushed before being dispensed. This may cause a slight delay when dispensing crushed ice. Noise from the ice crusher is normal, and pieces of ice may vary in size. When changing from **CRUSH** to **CUBE**, a few ounces of crushed ice will be dispensed along with the first cubes.

To dispense ice:

1. Press button for the desired type of ice.
2. Press a **sturdy** glass against the ice dispenser lever. Hold the glass close to the dispenser opening so ice does not fall outside of the glass.



IMPORTANT: You do not need to apply a lot of pressure to the lever in order to activate the ice dispenser. Pressing hard will not make the ice dispense faster or in greater quantities.

3. Remove the glass to stop dispensing.

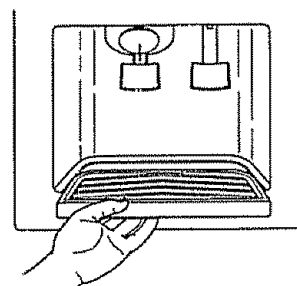
NOTE: The first few batches of ice may have an off-flavor from new plumbing and parts. Throw the ice away. Also, take large amounts of ice from the ice bin, not through the dispenser.

The water dispenser

When the refrigerator is first hooked up, press the water dispenser bar with a glass or jar until you draw and discard 2 to 3 quarts (1.9 to 2.8 L). It will take three to four minutes for the water to begin dispensing. The water you draw and discard rinses the pipes.

Allow several hours for the refrigerator to cool down and chill water.

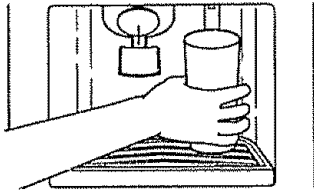
IMPORTANT: Depending on your model, the small removable tray at the bottom of the dispenser is designed to catch small spills and allow for easy cleaning. There is no drain in the tray. The tray can be removed from the dispenser and carried to the sink to be emptied or cleaned.



To dispense water:

1. Press a glass against the water dispenser lever.
2. Remove the glass to stop dispensing

NOTE: Dispense enough water every week to maintain a fresh supply.



The dispenser light

The dispenser area has a light. It can be turned on manually by pressing the ON button at the right hand side of the control panel. The red indicator above the ON button will appear. **On some models:** Whenever you use the dispenser the lever will automatically turn the light on.

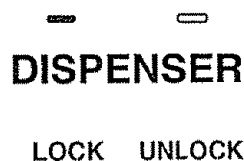


NOTE: See the "Changing the Light Bulbs" section for information on changing the dispenser light bulb.

On models without crushed ice, the light switch is a rocker-style type. Push the switch to turn the light on, and push again to turn the light off.

The dispenser lock (on some models)

Your dispenser can be turned off for easy cleaning or to prevent accidental dispensing by small children and pets. To turn off the dispenser, press the LOCK button. The indicator will appear above the LOCK button and the ice and water dispensers will not work. To unlock the dispenser, press the UNLOCK button until the indicator appears. Then continue to dispense ice or water as usual.



NOTE: The lock feature does not shut off power to the product, to the ice maker, or to the dispenser light. It simply deactivates the dispenser levers.

Water Filtration and Monitoring System

The water filter status light (on some models)

The water filter status light will help you know when to change your water filter cartridge. The light is located at the top of the refrigerator compartment. The light will change from green to yellow. This tells you that it is almost time to change the water filter cartridge (90% of the filter life has been used). It is recommended that you replace the water filter cartridge when the water filter status light changes to red OR water flow to your water dispenser or ice maker decreases noticeably. (See "Changing a water filter cartridge" later in this section.)

NOTE: Do not use with water that is microbiologically unsafe or of unknown quality without adequate disinfection before or after the system.

WATER FILTER STATUS

GREEN • FILTER IS OK
YELLOW • LOW FILTER LIFE
RED • REPLACE FILTER



RESET WATER FILTER STATUS
PRESS LIGHT SWITCH (5) TIMES

After changing the water filter cartridge, reset the water filter status light by pressing the light switch 5 times within 10 seconds. The status light will change from red to green when the system is reset.

Non-indicator water filter (on some models)

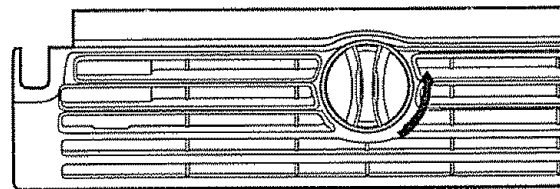
If your refrigerator does not have the water filter status light, you should change the water filter cartridge every 6-9 months depending upon your usage. If the water flow to the water dispenser or icemaker decreases noticeably before 6 months have passed, replace the water filter cartridge more often. (See "Changing a water filter cartridge" later in this section.)

Changing a water filter cartridge

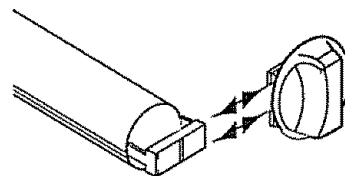
The water filter is located below the freezer compartment door.

1. Locate the water filter cartridge cap in the front base grille below the freezer compartment door. Rotate the cap counterclockwise to a vertical position and pull the cap and filter cartridge out through the base grille.

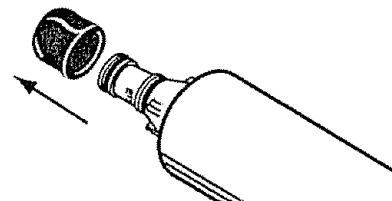
NOTE: There will be water in the cartridge. Some spilling may occur.



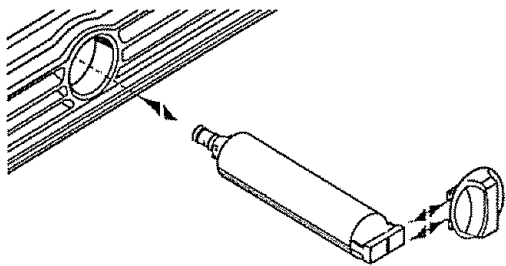
2. Remove the cartridge cap by sliding it off the end of the old cartridge. The cap will slide to the left or right. **DO NOT DISCARD THE CAP.**



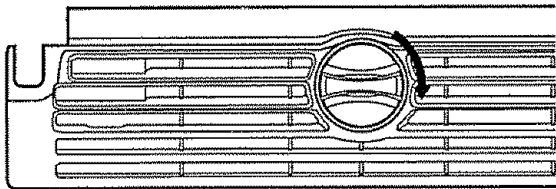
3. Take the new cartridge out of its packaging and remove protective cover from O-rings.



4. Slide the cartridge cap onto the new cartridge as shown.



5. With cartridge cap in the vertical position, push the new filter cartridge into the base grille until it stops. Rotate the cartridge cap clockwise to a horizontal position.



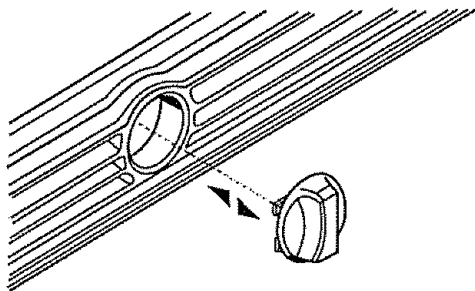
6. RUN WATER THROUGH THE DISPENSER UNTIL THE WATER RUNS CLEAR (about 2 to 3 gallons or 6 to 7 minutes). This will clean the system and clear air from the lines. Additional flushing may be required in some households.

NOTE: As air is cleared from the system, water may spurt out of the dispenser.

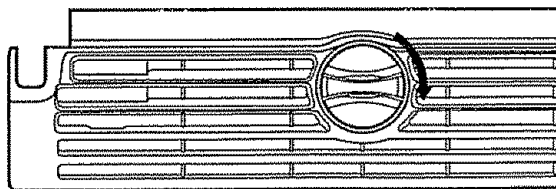
Using the dispenser without the water filter

You can run the dispenser without a water filter cartridge. Your water will not be filtered. If you run the dispenser without a water filter cartridge, keep the cartridge cap and replace it in the base grille for future use.

1. Remove the water filter cartridge (See "Changing a water filter cartridge" earlier in this section.) Then slide the cartridge cap off the end of the filter cartridge. **DO NOT DISCARD THE CAP.**
2. With the cartridge cap in the vertical position, insert the cap into the base grille until it stops.



3. Rotate the cartridge cap to a horizontal position.
NOTE: The cartridge cap may not be even with the base grille.



Ordering replacement filters

To purchase more water filter cartridges visit your local SEARS store. To order by phone in the United States, call 1-800-366-PART. In Canada, call 1-800-488-1222. When replacing your factory-installed water filter, ask for part accessory Part No. #9902.

Refrigerator Shelves

The shelves in your refrigerator are adjustable to meet your individual storage needs. Your model may have glass or wire shelves.

Storing similar food items together in your refrigerator and adjusting the shelves to fit different heights of items will make finding the exact item you want easier. It will also reduce the amount of time the refrigerator door is open, and save energy.

IMPORTANT: Do not clean glass shelves with warm water when they are cold. Shelves may break if exposed to sudden temperature changes or impact, such as bumping. For your protection tempered glass is designed to shatter into many small pebble-size pieces. This is normal.

NOTE: Glass shelves are heavy. Use special care when removing them to avoid impact from dropping.

To remove shelves from the shipping position (shelves are shipped upside down):

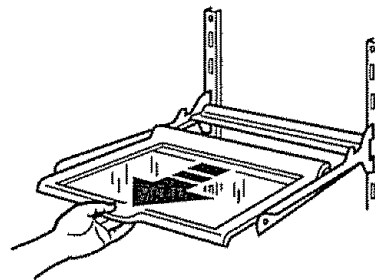
1. Grasp front of upper shelf with one hand and use other hand to remove packing material from shelf area.
2. Lower front of upper shelf until shelf hooks can be removed from slots in shelf supports on the back refrigerator wall. Pull shelf forward to remove.
3. Flip shelf over.
4. Insert rear shelf hooks into slots in shelf supports.
5. Tilt front of shelf up until rear hooks drop into slots.
6. Lower front of shelf. Check to make sure that shelf is securely in position.

Slide-out Shelves (on some models)

Some shelves slide out, providing easier access to foods stored in back.

To slide out shelf, carefully pull front of shelf toward you.

To slide in shelf, push shelf in until it stops.



To remove a shelf from the metal frame:

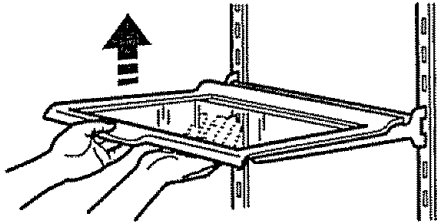
1. Pull shelf out to the stop.
2. Tilt front of the shelf up and pull it out a little farther.
3. Lift up shelf so that it moves through the slot in the frame.

Replace the shelf in the reverse order.

Shelves and Shelf Frames

To remove a shelf/frame:

1. Tilt up front of the shelf/frame
2. Pull shelf/frame.

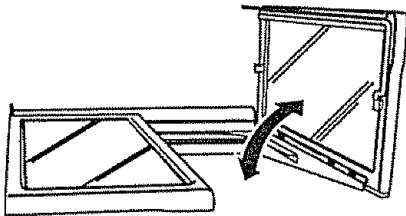


To replace a shelf/frame:

1. Guide the rear shelf hooks into the slots in the shelf supports on the back refrigerator wall.
2. Tilt up front of shelf/frame.
3. Lower the front of the shelf into position.

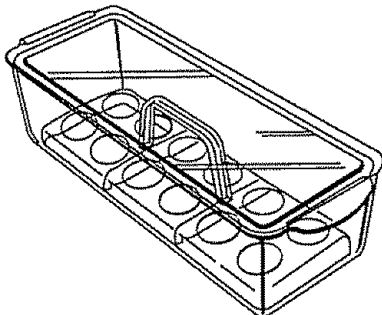
Flip-up Shelf

1. To raise the shelf, pull forward on the lever located at the bottom front of the shelf and lift until the shelf locks into the vertical position.
2. To lower the shelf, lower the shelf until it is latched securely in place.



Egg Bin (on some models)

1. Remove the cover.
2. Place the eggs in the egg tray. If you prefer, you can remove the egg tray and place the entire carton of eggs in the bin.
3. Replace the cover.



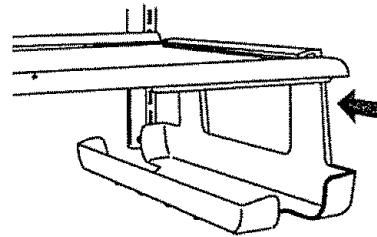
Can/Bottle Rack (on some models)

To remove the can/bottle rack:

1. Remove all items from the can/bottle rack
2. Pull the can/bottle rack straight out from between the refrigerator shelf and the wall of the compartment.

To replace the can/bottle rack:

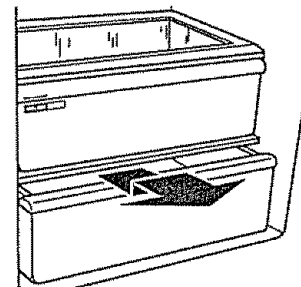
Slide the can/bottle rack between the refrigerator shelf and the wall of the refrigerator compartment.



Convertible Vegetable/Meat Drawer and Cover

To remove the drawer:

1. Slide the drawer straight out to the stop.
2. Lift the front slightly and slide it out the rest of the way
3. Replace the drawer by sliding it past the drawer stop.



To remove the cover:

1. Remove the drawer and the crisper.
2. Lift the front of the cover off of the supports and remove it by pulling up and out.

To replace the cover:

1. Fit the back of the cover into the notch supports on the walls of the refrigerator and lower it into place.
2. Replace the drawer and crisper.

Meat storage guide

Store most meat in original wrapping as long as it is airtight and moisture-proof. Rewrap if necessary. See the following chart for storage times. When storing meat longer than the times given, freeze the meat.

Fresh fish or shellfish	use same day as purchased
Chicken	1-2 days
Ground beef	1-2 days
Variety meats (liver, heart, etc.)	1-2 days
Cold cuts	3-5 days
Steaks/roasts	3-5 days
Cured meats	7-10 days

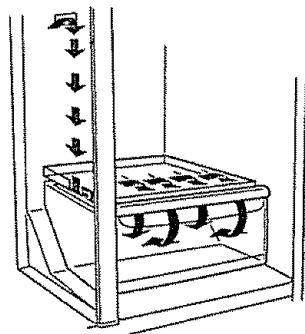
Leftovers - Cover leftovers with plastic wrap, aluminum foil, or plastic containers with tight lids.

Convertible Vegetable/Meat Drawer Temperature Control

The convertible vegetable/meat drawer can be adjusted to properly chill meats or vegetables. Unlike most chilled meat drawer systems, the Temperature Control cools the air inside the pan. (Most systems chill only the pan itself, which doesn't cool the air inside the pan evenly.)

Chilling the air inside the pan provides more even cooling and reduces "spot" freezing. The Temperature Control can be set to keep meats at the recommended storage temperatures. 28°-32°F (-2° - 0°C) are the recommended storage temperatures from the National Livestock and Meat Board.

To store vegetables at their optimal storage temperatures (which need to be warmer than those for meat), set the control at the **VEG** setting, all the way to the left.



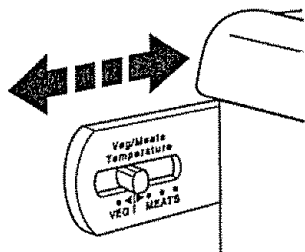
IMPORTANT: To extend freshness even more, remember to wrap meats in airtight, moisture-proof materials before storing. Always store meat as recommended by the National Livestock and Meat Board.

Adjusting the control

The convertible control comes preset for you at the lowest meat setting. Move it to the mid-setting or "colder" as desired.

To change a control setting: Move the control to the right (colder) or to the left (less cold).

To store vegetables: Move the control all the way to the left to the **VEG** setting.

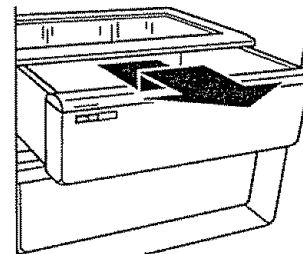


IMPORTANT: If food starts to freeze, move the control to the left (less cold). Remember to wait 24 hours between adjustments. Doing so gives the temperature of the food time to change.

Crisper and Crisper Cover

To remove and replace the crisper(s):

1. Slide crisper(s) straight out to the stop.
2. Lift the front.
3. Slide crisper(s) out the rest of the way.
4. To replace the crisper(s) slide it back in past the drawer stop.

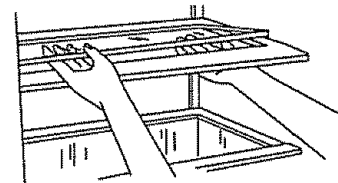


IMPORTANT: Do not clean glass shelves with warm water when they are cold. Shelves may break if exposed to sudden temperature changes or impact, such as bumping. For your protection tempered glass is designed to shatter into many small pebble-size pieces. This is normal.

NOTE: Glass shelves are heavy. Use special care when removing them to avoid impact from dropping.

To remove the crisper(s) cover:

1. Remove crisper(s).
2. Press up in center of glass insert until it rises above the plastic frame. Holding the glass firmly, carefully slide the glass insert forward to remove.
3. Lift cover frame up and remove.



To replace the crisper cover:

1. Fit back of cover frame into supports on side walls of the refrigerator.
2. Lower front of the cover frame into place.
3. Slide rear of glass insert into cover frame and lower front into place.

Crisper Humidity Control (on some models)

You can control the amount of humidity in the moisture-sealed crisper. Adjust the control to any setting between **LOW** and **HIGH**.

- **LOW (open)** lets moist air out of the crisper for best storage of fruits and vegetables with skins.

Fruit: Wash, let dry and store in refrigerator in plastic bag or crisper. Do not wash or hull berries until they are ready to use. Sort and keep berries in original container in crisper, or store in a loosely closed paper bag on a refrigerator shelf.

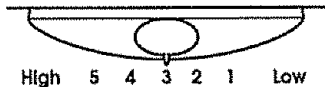
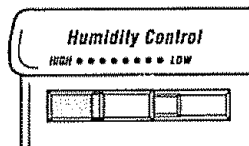
Vegetables with skins: Place in plastic bags or plastic container and store in crisper.

- **HIGH (closed)** keeps moist air in the crisper for best storage of fresh, leafy vegetables.

Leafy vegetables: Wash in cold water, drain and trim or tear off bruised and discolored areas. Place in plastic bag or plastic container and store in crisper.

Humidity Control location:

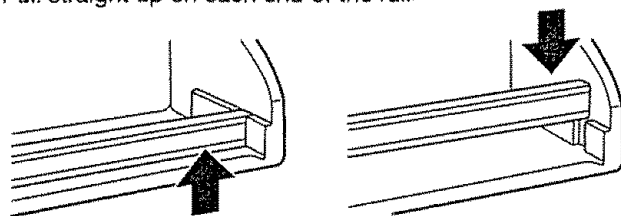
- Humidity Control on crisper drawer (left)
- Humidity Control on crisper cover (right)



Drop-in Door Rails

To remove the rails:

1. Remove all items from the shelf.
2. Pull straight up on each end of the rail.



To replace the rails:

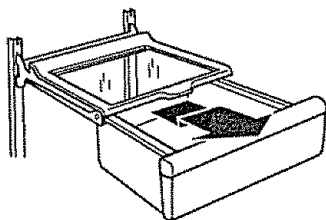
1. Slide the shelf rail into the slots on the door.
2. Push the rail straight down until it stops.

Deli Drawer
(on some models)

The deli drawer provides a convenient place to store raisins, nuts, spreads, and other small items at normal refrigerator temperatures.

To remove and replace the deli drawer:

1. Slide the deli drawer straight out to the stop.
2. Lift the front and slide the drawer out the rest of the way
3. To replace the deli drawer, slide it back in past the drawer stop.

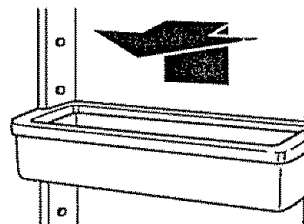


Door Bins

(on some models)

The door bins are removable for easy cleaning and adjusting.

1. **To remove the bin,** simply lift the bin up and pull straight out.
2. **To replace the bin,** slide it in above the desired support button and push down until it stops.



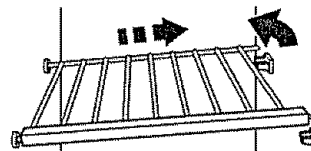
Freezer Shelf

(number of shelves varies with model)

To remove the shelf:

1. Lift the shelf off of the supports.
2. Slide it out of the shelf support holes.

Replace shelf in the reverse order.



Door Rails

The door rails may be removed for easier cleaning.

Snap-on Door Rails

To remove the rails:

1. Remove all items from the shelf.
2. Push in slightly on the front of the bracket while pulling out on the inside tab.
3. Repeat these steps for the other end of the rail.



To replace the rails:

1. Line up the ends of the brackets with the buttons on the sides of the door liner.
2. Firmly snap bracket and rail assembly onto the tabs above the shelf as shown.

Frozen food storage guide

Storage times will vary according to the quality and type of food, the type of packaging or wrap used (should be airtight and moisture-proof), and the storage temperature. Ice crystals inside a sealed package are normal. This simply means that moisture in the food and air inside the package have condensed, creating ice crystals.

Put no more unfrozen food into the freezer than will freeze within 24 hours (no more than 2-3 lb of food per cubic foot [907-1,350 g per L] of freezer space). Leave enough space in the freezer for air to circulate around packages. Be careful to leave enough room for the door to close tightly.

For more information on preparing food for freezing, check a freezer guide or reliable cookbook.

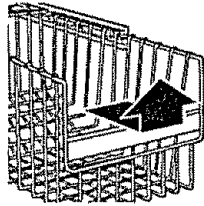
Freezer Basket

(plastic bin on some models)

The freezer basket can be used to store bags of frozen fruits and vegetables that may slide off freezer shelves.

To remove the freezer basket:

1. Slide it out to the stop.
2. Lift the front and slide it out the rest of the way.



To replace the basket:

1. Position it on the slides, making sure that the wire stops are clear of the front of the slides.
2. Slide it back in all the way.

CARING FOR YOUR REFRIGERATOR

Cleaning Your Refrigerator

⚠ WARNING



Explosion Hazard

Use nonflammable cleaner.

Failure to do so can result in death, explosion, or fire.

Both the refrigerator and freezer sections defrost automatically. However, clean both sections about once a month to prevent odors from building up. Wipe up spills immediately.

Energy Saving Tip:

Clean the condenser coils regularly, as described in the cleaning chart in this section. A coil cleaning brush is available for purchase. Call 1-800-366-PART and ask for Part Number 4210463.

To clean your refrigerator:

- Unplug refrigerator or disconnect power.
- Remove all removable parts from inside, such as shelves, crispers, etc.
- Use a clean sponge or soft cloth and a mild detergent in warm water. Do not use abrasive or harsh cleaners.
- Hand wash, rinse, and dry all surfaces thoroughly.
- Plug in refrigerator or reconnect power.
- Additional cleaning tips are listed below:

PART	COMMENTS
Outside	<ul style="list-style-type: none"> ■ Waxing external painted metal surfaces helps provide rust protection. Do not wax plastic parts. Wax painted metal surfaces at least twice a year using appliance wax (or auto paste wax). Apply wax with a clean, soft cloth. ■ For products with a stainless steel exterior, use a clean sponge or soft cloth and a mild detergent in warm water. Do not use abrasive or harsh cleaners. Dry thoroughly with a soft cloth.
Inside walls (allow freezer to warm up so cloth won't stick)	<ul style="list-style-type: none"> ■ To help remove odors, you can wash with a mixture of warm water and baking soda (2 tbs to 1 qt [26 g to .95 L] of water).
Door liners and gaskets	<ul style="list-style-type: none"> ■ Do not use cleaning waxes, concentrated detergents, bleaches, or cleaners containing petroleum on plastic parts.
Plastic parts (covers and panels)	<ul style="list-style-type: none"> ■ Do not use paper towels, window sprays, scouring cleansers or flammable fluids. These can scratch or damage material.
Condenser coils	<ul style="list-style-type: none"> ■ Remove base grille. (See the "Base grille" section.) ■ Use a vacuum with an extended attachment to clean condenser coils. ■ Vacuum coils when dusty or dirty. Coils may need to be cleaned as often as every other month. ■ Replace base grille.

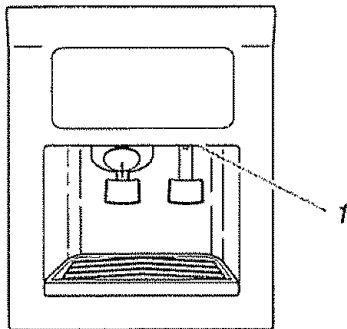
Changing the Light Bulbs

NOTE: Not all appliance bulbs will fit your refrigerator. Be sure to replace the bulb with one of the same size and shape.

Refrigerator Light Bulbs

Dispenser area light (on some models):

1. Unplug refrigerator or disconnect power.
2. Reach through the dispenser area to remove the bulb.

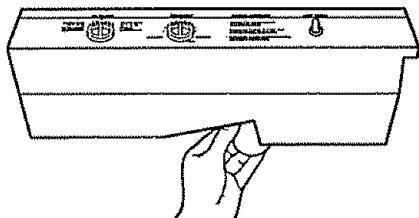


1. Dispenser Light

3. Replace the bulb with a heavy-duty 10-watt bulb, which can be purchased from your dealer.
4. Plug in refrigerator or reconnect power.

Light behind control panel:

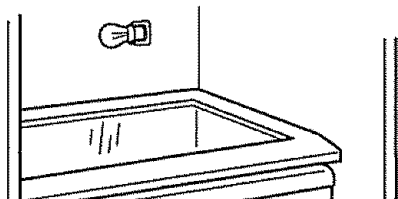
1. Unplug refrigerator or disconnect power.
2. Reach behind the Control Panel and remove the bulb.
3. Replace the bulb with a 40-watt appliance bulb.



4. Plug in refrigerator or reconnect power.

Crisper light (on some models):

1. Unplug refrigerator or disconnect power.
2. Remove the light shield by grasping the top center of the shield and pulling forward while turning it slightly to one side.
3. Replace the bulb with a 40-watt appliance bulb.



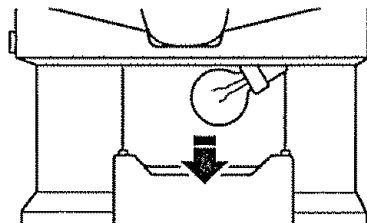
4. Replace the light shield by grasping the top center of the shield and inserting the tabs on one end into the slotted holes in the refrigerator liner. Then, carefully bend the shield at the center to insert the tabs on the other end.
5. Plug in refrigerator or reconnect power.

NOTE: To clean the light shield, wash it with warm water and a liquid detergent. Rinse and dry the shield well.

Freezer Light Bulbs

Light below the ice bin:

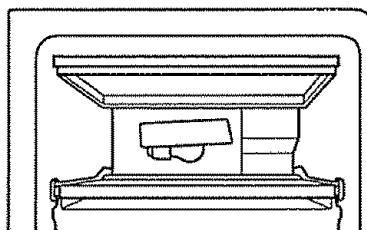
1. Unplug refrigerator or disconnect power.
2. Push in the sides of the light shield and pull down until the shield snaps free.



3. Replace the bulb with a 40-watt appliance bulb.
4. Replace the light shield.
5. Plug in refrigerator or reconnect power.

Upper freezer light (on some models):

1. Unplug refrigerator or disconnect power.
2. Remove the light shield by grasping the top center of the shield and pulling forward while turning it slightly to one side.
3. Replace the bulb with a 40-watt appliance bulb.



4. Replace the light shield by grasping the top center of the shield and inserting the tabs on one end into the slotted holes in the freezer liner. Then, carefully bend the shield at the center to insert the tabs on the other end.
5. Plug in refrigerator or reconnect power.

Power Interruptions

If the electricity in your house goes off, call the power company and ask how long it will be off.

1. If the power will be out for **24 hours or less**, keep **both refrigerator doors closed** to help food stay cold and frozen.
2. If the power will be out for **more than 24 hours**:
 - a) Remove all frozen food and store it in a frozen food locker.
OR
 - b) Place 2 lbs (907 g) of dry ice in the freezer for every cubic foot (28 L) of freezer space. This will keep the food frozen for two to four days.
OR
 - c) If neither a food locker nor dry ice is available, consume or can perishable food at once.

REMEMBER: A full freezer stays cold longer than a partially filled one. A freezer full of meat stays cold longer than a freezer full of baked goods. If you see that food contains ice crystals, it may be refrozen, although the quality and flavor may be affected. If the condition of the food is poor, dispose of it.

Vacation and Moving Care

Vacations

If you choose to leave the refrigerator on while you're away, use these steps to prepare your refrigerator before you leave.

1. Use up any perishables and freeze other items.
2. If your refrigerator has an automatic ice maker:
 - Raise wire shut-off arm to OFF (up) position.
 - Shut off water supply to the ice maker.
3. Empty the ice bin.

If you choose to turn the refrigerator off before you leave, follow these steps.

1. Remove all food from the refrigerator.
2. If your refrigerator has an automatic ice maker:
 - Turn off the water supply to the ice maker at least one day ahead of time.
 - When the last load of ice drops, raise the wire shut-off arm to the OFF (up) position.
3. Depending on your model, turn the Thermostat Control or Refrigerator Control to OFF. See the "Setting the Controls" section.
4. Clean refrigerator, wipe it, and dry well.
5. Tape rubber or wood blocks to the tops of both doors to prop them open far enough for air to get in. This stops odor and mold from building up.

Moving

When you are moving your refrigerator to a new home, follow these steps to prepare it for the move.

1. If your refrigerator has an automatic ice maker:
 - Turn off the water supply to the ice maker at least one day ahead of time.
 - Disconnect the water line from the back of the refrigerator.
 - When the last load of ice drops, raise the wire shut-off arm to the OFF (up) position.
2. Remove all food from the refrigerator and pack all frozen food in dry ice.
3. Depending on your model, turn the Thermostat Control or Refrigerator Control to OFF. See the "Setting the Controls" section.
4. Unplug the refrigerator.
5. Empty water from the defrost pan.
6. Clean, wipe, and dry thoroughly.
7. Take out all removable parts, wrap them well, and tape them together so they don't shift and rattle during the move.
8. Depending on the model, raise the front of the refrigerator so it rolls more easily OR screw in the leveling legs so they don't scrape the floor. See the "Door Closing" or "Leveling Your Refrigerator" section, depending on your model.
9. Tape the doors shut and the power cord to the refrigerator cabinet.

When you get to your new home, put everything back and refer to the "Installing Your Refrigerator" section for preparation instructions. Also, if your refrigerator has an automatic ice maker, remember to reconnect the water supply to the refrigerator.

TROUBLESHOOTING

Try the solutions suggested here first in order to avoid the cost of an unnecessary service call.

Your refrigerator will not operate

- **Is the power supply cord unplugged?**
Firmly plug the cord into a live outlet with proper voltage.
- **Has a household fuse or circuit breaker tripped?**
Replace the fuse or reset the circuit.
- **Is the refrigerator control turned to the OFF position?**
Refer to the "Setting the Controls" section.
- **Is the refrigerator defrosting?**
Recheck to see if the refrigerator is operating in 30 minutes. Your refrigerator will regularly run an automatic defrost cycle.

The lights do not work

- **Is the power supply cord unplugged?**
Firmly plug the cord into a live outlet with proper voltage.
- **Is a light bulb loose in the socket?**
Turn the refrigerator control to OFF. Disconnect the refrigerator from the electrical supply. Gently remove the bulb and reinsert. Then reconnect the refrigerator to the electrical supply and reset the refrigerator control.
- **Is a light bulb burned out?**
Replace with an appliance bulb of the same wattage, size, and shape. See the "Changing the Light Bulbs" section.

There is water in the defrost drain pan

- **Is the refrigerator defrosting?**
The water will evaporate. It is normal for water to drip into the defrost pan.
- **Is it more humid than normal?**
Expect that the water in the defrost pan will take longer to evaporate. This is normal when it is hot or humid.

The motor seems to run too much

- **Is the room temperature hotter than normal?**
Expect the motor to run longer under warm conditions. At normal room temperatures, expect your motor to run about 40% to 80% of the time. Under warmer conditions, expect it to run even more of the time.
- **Has a large amount of food just been added to the refrigerator?**
Adding a large amount of food warms the refrigerator. It is normal for the motor to run longer in order to cool the refrigerator back down.
- **Is the door opened often?**
Expect the motor to run longer when this occurs. In order to conserve energy, try to get everything you need out of the refrigerator at once, keep food organized so it is easy to find, and close the door as soon as the food is removed.
- **Are the controls not set correctly for the surrounding conditions?**
Refer to the "Setting the Controls" section.

- **Are the doors not closed completely?**
Push the doors firmly shut. If they will not shut all the way, see "The doors will not close completely" later in this section.
- **Are the condenser coils dirty?**
This prevents air transfer and makes the motor work harder. Clean the condenser coils. Refer to the "Cleaning Your Refrigerator" section.
- **Are the door gaskets not sealed all the way around?**
Contact a qualified person or a technician.
NOTE: If the problem is not due to any of the above, remember that your new refrigerator will run longer than your old one due to its high efficiency motor.

The refrigerator seems to make too much noise

- **The sounds may be normal for your refrigerator.**
Refer to the "Understanding Sounds You May Hear" section.

The ice maker is not producing ice

- **Is the freezer temperature not cold enough to produce ice?**
Wait 24 hours after ice maker hook-up for ice production. Refer to the "Setting the Controls" section.
- **Is the ice maker wire shut-off arm in the OFF (wire shut-off arm up) position?**
Lower wire shut-off arm to the ON (wire shut-off arm down) position. See the "Ice Maker Storage Bin" section.
- **Is the water line shut-off valve to the refrigerator not turned on?**
Turn on the water valve. See the "Connecting the Refrigerator to a Water Source" section.
- **Is an ice cube jammed in the ejector arm?**
Remove the ice from the ejector arm with a plastic utensil. Refer to the "Ice Maker Storage Bin" section.
- **Does the ice maker mold have water in it?**
Check to see if your refrigerator has been connected to your home water supply and the supply shut-off valve is turned on. Refer to the "Connecting the Refrigerator to a Water Source" section.
NOTE: If not due to any of the above, there may be a problem with the water line. Call for service.

The ice maker is producing too little ice

- **Has the ice maker just been installed?**
Wait 72 hours for full ice production to begin. Once your refrigerator is cooled down, the ice maker should begin producing 70 to 120 cubes every 24 hours.
- **Has a large amount of ice just been removed?**
Allow 24 hours for ice maker to produce more ice.
- **Are the controls set correctly?**
Refer to the "Setting the Controls" section.
- **Is the water shut-off valve turned completely on?**
Turn valve on fully. Refer to the "Connecting the Refrigerator to a Water Source" section.
- **Is there a water filter installed on the refrigerator?**
This filter may be clogged or installed incorrectly. First, check the filter installation instructions to ensure that the filter was installed correctly and is not clogged. If installation or clogging is not a problem, call a qualified person or a technician.

Off-taste, odor or grey color in the ice

- **Are the plumbing connections new, causing discolored or off-flavored ice?**
Discard the first few batches of ice.
- **Have the ice cubes been stored for too long?**
Throw old ice away and make a new supply.
- **Do the freezer and ice bin need to be cleaned?**
See the "Cleaning Your Refrigerator" section.
- **Has food in the freezer or refrigerator been wrapped properly?**
Use airtight, moisture-proof packaging to help prevent odor transfer to stored food.
- **Does the water contain minerals (such as sulfur)?**
A filter may need to be installed to remove the minerals.
- **Is there a water filter installed on the refrigerator?**
Grey or dark discoloration in ice indicates that the water filtration system needs additional flushing. Run additional water through the water dispenser to flush the water filtration system more thoroughly (at least 2 to 3 gallons or 6 to 7 minutes initially). Discard discolored ice.

The ice dispenser will not operate properly

- **Is the freezer door closed completely?**
Push the door firmly shut. If it will not shut all the way, see "The doors will not close completely" later in this section.
- **Is the ice bin installed correctly?**
Push the ice bin in all the way. If the ice bin does not go in all the way, it may not be put in straight. Pull it out and try again.
- **Has the wrong ice been added to the bin?**
Use only cubes produced by the current ice maker. If other cubes have been added, remove all cubes and check to see that none have become stuck in the delivery chute.
- **Has the ice frozen in the ice bin?**
Shake the ice bin to separate cubes. If cubes do not separate, empty bin and wait 24 hours for ice to restock.
- **Has the ice melted around the auger (metal spiral) in the ice bucket?**
Dump the ice cubes and clean the ice bucket completely. Allow 24 hours for the ice maker to restock. Do not try to remove the melted ice with a sharp object. You could damage the ice bucket.
- **Is ice stuck in the delivery chute?**
Clear the ice from the delivery chute with a plastic utensil. Do not use anything sharp to remove the ice. You could cause damage.
- **Is there ice in the bucket?**
See "The ice maker is not producing ice" earlier in this section.
- **Has the dispenser arm been held in too long?**
Release dispenser arm. Ice will stop dispensing when the arm is held in too long. Wait three minutes for dispenser motor to reset before using again. (For future use, take large amounts of ice directly from the ice maker so that the dispenser arm is not held in too long.)

The water dispenser will not operate properly

- **Is the freezer door not closed completely?**
Push the door firmly shut. If it will not shut all the way, see "The doors will not close completely" later in this section.
- **Has the water system not filled?**
The water system needs to be filled the first time it is used. Depress the water dispenser bar with a large container until you draw two or three quarts (1.9 to 2.8 L) of water. Discard water. Refer to the "Water and Ice Dispensers" section for further instructions on filling the water system.
- **Is the water shut-off valve not turned on or the water line connected at the source?**
Check to be sure the water shut-off valve is turned on and the water source is connected to the refrigerator. Refer to the "Connecting the Refrigerator to a Water Source" section for directions.
- **Is the water shut-off valve clogged or incorrectly installed?**
Refer to the "Connecting the Refrigerator to a Water Source" section. If clogging or installation is not a problem, call for service or contact a plumber.
- **Is there a kink in the home water source line?**
If you find or suspect a kink in the water line, call for service.
- **Is there a water filter installed on the refrigerator?**
This filter may be clogged or incorrectly installed. First, check the filter installation instructions to ensure that the filter was installed correctly and is not clogged. If installation or clogging is not a problem, call for service.

Water or ice is leaking from the dispenser

- **Is the glass not being held under the ice dispenser long enough, causing the ice to spill?**
Hold the container under the ice chute for two to three seconds after releasing the dispenser lever. A small amount of ice may dispense after the lever is released.
- **Is the glass not being held under the water dispenser long enough, causing water to drip?**
Hold the container under the water dispenser two to three seconds after releasing the dispenser lever. Water may continue to dispense during this time.
- **Is an ice cube stuck in the chute and holding the trap door open?**
Remove the cube.
- **Is there a water filter installed on the refrigerator?**
The water filtration system may have air in the lines, causing water to drip. Additional flushing may help clear air from the lines. Normal dispenser use should flush air from the lines within 24 to 72 hours.

The dispenser water is not cool enough

- **Has the refrigerator been newly installed?**
Allow 24 hours for the refrigerator to cool completely.
- **Has a large amount of water been recently dispensed?**
Allow 24 hours for the water to cool completely.
- **Has water not been recently dispensed?**
The first glass of water may not be cool. Discard the first glass of water.

The divider between the two compartments is warm

- The warmth is probably due to normal operation of the automatic exterior moisture control. If still concerned, call for service.

Temperature is too warm

- **Are the air vents blocked in either compartment? This prevents the movement of cold air from the freezer to the refrigerator.**
Remove any objects from in front of the air vents. Refer to the "Ensuring Proper Air Circulation" section for the location of air vents.
- **Are the door(s) opened often?**
Be aware that the refrigerator will warm when this occurs. In order to keep the refrigerator cool, try to get everything you need out of the refrigerator at once, keep food organized so it is easy to find, and close the door as soon as the food is removed.
- **Has a large amount of food just been added to the refrigerator or freezer?**
Adding a large amount of food warms the refrigerator. It can take several hours for the refrigerator to return to the normal temperature.
- **Are the controls set correctly for the surrounding conditions?**
Refer to the "Setting the Controls" section.

There is interior moisture build-up

- **Are the air vents blocked in the refrigerator?**
Remove any objects from in front of the air vents. Refer to the "Ensuring Proper Air Circulation" section for the location of air vents.
- **Are the door(s) opened often?**
To avoid humidity build-up, try to get everything you need out of the refrigerator at once, keep food organized so it is easy to find, and close the door as soon as the food is removed. (When the door is opened, humidity from the room air enters the refrigerator. The more often the door is opened, the faster humidity builds up, especially when the room itself is very humid.)
- **Is the room humid?**
It is normal for moisture to build up inside the refrigerator when the room air is humid.
- **Is the food packaged correctly?**
Check that all food is securely wrapped. Wipe off damp food containers before placing in the refrigerator.
- **Are the controls set correctly for the surrounding conditions?**
Refer to the "Setting the Controls" section.
- **Was a self-defrost cycle completed?**
It is normal for droplets to form on the back wall after the refrigerator self-defrosts.

The doors will not close completely

- **Are food packages blocking the door open?**
Rearrange containers so that they fit more tightly and take up less space.
- **Is the ice bin out of position?**
Push the ice bin in all the way.
- **Are the pans, shelves, bins, or baskets out of position?**
Put the crisper cover and all pans, shelves, bins, and baskets back into their correct position. See the "Crisper and Crisper Cover" section for more information.
- **Are the gaskets sticking?**
Clean gaskets according to the directions in the "Cleaning Your Refrigerator" section.
- **Does the refrigerator wobble or seem unstable?**
Level the refrigerator. Refer to the "Door Closing" or "Leveling Your Refrigerator" section, depending on your model.
- **Were the doors removed during product installation and not properly replaced?**
Remove and replace the doors according to the "Removing the Doors" section on some models, or call a qualified service technician.

The doors are difficult to open

- **Are the gaskets dirty or sticky?**
Clean gaskets according to the directions in the "Cleaning Your Refrigerator" section.

Water flow from the dispenser decreases noticeably

- **Is there a water filter installed on the refrigerator? This filter may be full or incorrectly installed.**
Remove the water filter cartridge (see the "Water Filtration System" section.) Operate the dispenser. If the water flow increases noticeably, your filter is full and needs to be replaced.

SEARS MAINTENANCE AGREEMENT

"We Service What We Sell" is our assurance to you that you can depend on Sears for service. Your Kenmore appliance has added value when you consider that Sears has service units nationwide, staffed with professional technicians trained on all appliances Sears sells. They have the knowledge and skills, tools, parts and equipment to ensure our pledge to you that "We Service What We Sell."

Sears Maintenance Agreement

Maintain the value of your purchase with a Sears Maintenance Agreement. Kenmore appliances are designed, manufactured, and tested for years of dependable operation. Yet any home appliance may require service from time to time. The Sears Maintenance Agreement offers you an outstanding service program for your product.

The Sears Maintenance Agreement

- Is your way to buy tomorrow's service at today's prices.
- Eliminates repair bills resulting from normal use.
- Allows for as many service calls as you need.
- Provides an annual Preventive Maintenance Check at your request to keep your Kenmore Appliance in proper running condition.

For more information, call 1-800-827-6655.

WATER FILTER CERTIFICATIONS

State of California
Department of Health Services
Water Treatment Device
Certificate Number
98 - 1366

Date Issued: November 18, 1998

<u>Trademark/Model Designation</u>	<u>Replacement Elements</u>
Whirlpool WF-NLC250	NLC 250
Manufacturer: Whirlpool Corp.	

The water treatment device(s) listed on this certificate have met the testing requirements pursuant to Section 116830 of the Health and Safety Code for the following health related contaminants:

Microbiological Contaminants and Turbidity

Cysts (protozoan)
Turbidity

Inorganic/Radiological Contaminants

Lead

Organic Contaminants

None

Rated Service Capacity: 250 gallons

Rated Service Flow: 0.5 gpm

Do not use where water is microbiologically unsafe or with water of unknown quality, except that systems claiming cyst reduction may be used on water containing cysts.

State of California
Department of Health Services

Water Treatment Device
Certificate Number

98 - 1367

Date Issued: November 18, 1998

Trademark/Model Designation

Whirlpool WF-LC400

Replacement Elements

LC 400

Manufacturer: Whirlpool Corp.

The water treatment device(s) listed on this certificate have met the testing requirements pursuant to Section 116830 of the Health and Safety Code for the following health related contaminants:

Microbiological Contaminants and Turbidity

Cysts (protozoan)
Turbidity

Inorganic/Radiological Contaminants

Lead

Organic Contaminants

None

Rated Service Capacity: 400 gallons

Rated Service Flow: 0.5 gpm

Do not use where water is microbiologically unsafe or with water of unknown quality, except that systems claiming cyst reduction may be used on water containing cysts.

ENGLISH

Product Data Sheet

Water Filtration System Model WF-NLC250



This product has been tested and certified by NSF International under ANSI/NSF Standard 42 for Taste, Odor and Chlorine reduction (Class I) and Particulate reduction (Class I) and under Standard 53 for Cyst, Turbidity, and Lead reduction.

Specifications: Lead, Particulate (Class I), Cyst, Turbidity and Taste/Odor/Chlorine reduction (Class I)
250 Gallons (946 Liters)
 Service Flow Rate 0.5 GPM (1.89 L/min) @ 60 psi

Substance Reduction	Average Influent	Maximum Effluent	Average Effluent	Minimum % Reduction	Average % Reduction	NSF Test Requirement
Aesthetic Effects						
Chlorine	1.9 mg/L	N/A	0.04 mg/L	N/A	97.9%	minimum 75% reduction (Class I)
Particulate	610,000/mL [†]	N/A	154/mL	N/A	99.97%	minimum 85% reduction (Class I)

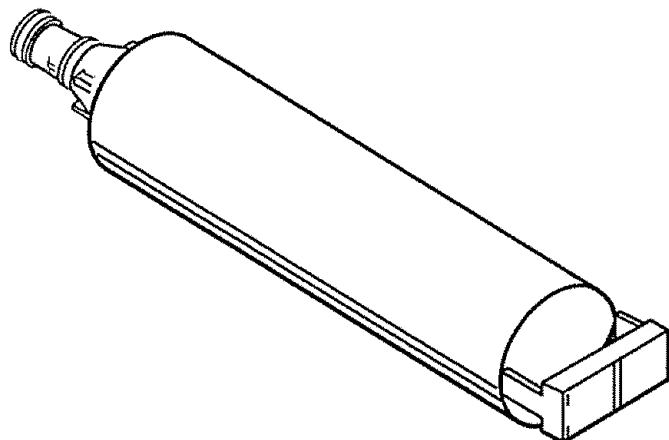
Substance Reduction	U.S. EPA MCL	Average Influent	Maximum Effluent	Average Effluent	Minimum % Reduction	Average % Reduction	NSF Test Requirement
Health Effects							
Cyst	99.95%	89250/mL [†]	6/mL	2.3/mL	99.993%	99.997%	minimum 99.95% reduction
Turbidity	0.5 NTU	29 NTU	0.1 NTU	0.09 NTU	99.5%	99.69%	maximum effluent 1.0 NTU
Lead @ pH 6.5	0.015 mg/L	0.16 mg/L ^{**}	0.001mg/L	0.001mg/L	99.4%	99.4%	maximum effluent 0.015 mg/L
Lead @ pH 8.5	0.015 mg/L	0.16 mg/L ^{**}	0.002mg/L	0.001mg/L	98.8%	99.4%	maximum effluent 0.015 mg/L

[†] Test requirement is at least 10,000 particles/mL of AC Fine Test Dust. ^{**} Test requirement is 0.15 mg/L ±10%.
 These contaminants are not necessarily in your water supply. Performance may vary based on local water conditions.

Application Guidelines/ Water Supply Parameters

Water Supply	City or Well
Water Pressure	30-120 psi (207-827 kPa)
Water Temperature	33°-100°F (0.6°-37.8°C)

- It is essential that operational, maintenance, and filter replacement requirements be carried out for this product to perform as advertised.
- Change cartridge at least every 6-9 months. Use replacement cartridge part #NLC 250 or #9902. 1999 Suggested retail price of \$39.95 U.S.A./\$49.95 Canada.
- The product is for cold water use only.
- Do not use with water that is microbiologically unsafe or of unknown quality without adequate disinfection before or after the system. Systems certified for cyst reduction may be used on disinfected water that may contain filterable cysts.



© NSF is a registered trademark of NSF International

Product Data Sheet

Water Filtration System Model WF-LC400



This product has been tested and certified by NSF International under ANSI/NSF Standard 42 for Taste, Odor and Chlorine reduction (Class I) and Particulate reduction (Class I) and under Standard 53 for Cyst, Turbidity, and Lead reduction.

Specifications: Lead, Particulate (Class I), Cyst, Turbidity and Taste/Odor/Chlorine reduction (Class I)
400 Gallons (1514 Liters)
 Service Flow Rate 0.5 GPM (1.89 L/min) @ 60 psi

Substance Reduction	Average Influent	Maximum Effluent	Average Effluent	Minimum % Reduction	Average % Reduction	NSF Test Requirement
Aesthetic Effects						
Chlorine	2.0 mg/L	N/A	0.04 mg/L	N/A	98%	minimum 75% reduction (Class I)
Particulate	610,000/mL ¹	N/A	154/mL	N/A	99%	minimum 85% reduction (Class I)

Substance Reduction	U.S. EPA MCL	Average Influent	Maximum Effluent	Average Effluent	Minimum % Reduction	Average % Reduction	NSF Test Requirement
Health Effects							
Cyst	99.95%	89250/mL ¹	6/mL	2.3/mL	99.993%	99.997%	minimum 99.95% reduction
Turbidity	0.5 NTU	29 NTU	0.12 NTU	0.09 NTU	99.59%	99.69%	maximum effluent 1.0 NTU
Lead @ pH 6.5	0.015 mg/L	0.16 mg/L ¹¹	0.001 mg/L	0.001 mg/L	99.4%	99.4%	maximum effluent 0.015 mg/L
Lead @ pH 8.5	0.015 mg/L	0.16 mg/L ¹¹	0.002 mg/L	0.001 mg/L	98.8%	99.4%	maximum effluent 0.015 mg/L

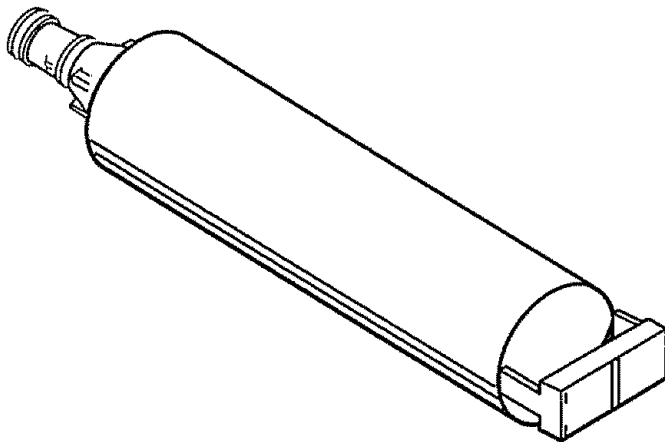
¹ Test requirement is at least 10,000 particles/mL of AC Fine Test Dust. ¹¹ Test requirement is 0.15 mg/L ±10%.
 These contaminants are not necessarily in your water supply. Performance may vary based on local water conditions.

ELECTROLIT

Application Guidelines/ Water Supply Parameters

Water Supply	City or Well
Water Pressure	30-120 psi (207-827 kPa)
Water Temperature	33°-100°F (0.6°-37.8°C)

- It is essential that operational, maintenance, and filter replacement requirements be carried out for this product to perform as advertised.
- The filter monitor system measures the amount of water that passes through the filter and alerts you to replace the filter. When 90% of the filter's rated life is used, the filter indicator light changes from green to yellow. When 100% of the filter's rated life is used, the filter indicator light changes from yellow to red, and it is recommended that you replace the filter. Use replacement cartridge part #LC 400 or #9902. Suggested retail price of \$39.95 U.S.A/\$49.95 Canada.
- The product is for cold water use only.
- Do not use with water that is microbiologically unsafe or of unknown quality without adequate disinfection before or after the system. Systems certified for cyst reduction may be used on disinfected water that may contain filterable cysts.



For in-home major brand repair service:

Call 24 hours a day, 7 days a week

1-800-4-MY-HOMESM (1-800-469-4663)

Para pedir servicio de reparación – 1-800-676-5811

Au Canada pour tout le service – 1-877-LE-FOYERSM (1-877-533-6937)

For the repair or replacement parts you need:

Call 6 a.m. – 11 p.m. CST, 7 days a week

PartsDirectSM

1-800-366-PART (1-800-366-7278)

www.sears.com/partsdirect

Para ordenar piezas – 1-800-659-7084

For a Sears Service Center location in your area:

Call 24 hours a day, 7 days a week

1-800-488-1222

For a Sears Maintenance Agreement purchase or inquiry:

Call 7 a.m. – 5 p.m. CST, Monday – Saturday

1-800-827-6655

