



IMPORTANT FOR FUTURE REFERENCE
 Please complete this information and retain this manual for the life of the equipment:

Model #: _____
 Serial #: _____
 Date Purchased: _____

Installation & Operation Manual

PLATINUM SERIES ELECTRIC CONVECTION OVENS



Model PCE75S/T



Model PCE15S/T

WARNING

Improper installation, adjustment, alteration, service or maintenance can cause property damage, injury or death. Read the installation, operating and maintenance instructions thoroughly before installing or servicing this equipment.

SOUTHBEND

 **MIDDLEBY** A Middleby Company

1100 Old Honeycutt Road Fuquay-Varina, North Carolina 27526 USA

www.southbendnc.com



SAFETY PRECAUTIONS

Before installing and operating this equipment, be sure everyone involved in its operation is fully trained and aware of precautions. Accidents and problems can be caused by failure to follow fundamental rules and precautions.

The following symbols, found throughout this manual, alert you to potentially dangerous conditions for the operator, service personnel, or the equipment.



This symbol warns of immediate hazards that will result in severe injury or death.



This symbol refers to a potential hazard or unsafe practice that could result in injury or death.



This symbol refers to a potential hazard or unsafe practice that could result in injury, product damage, or property damage.



This symbol refers to information that needs special attention or must be fully understood, even though not dangerous.

 **WARNING**
FIRE HAZARD
FOR YOUR SAFETY

Do not store or use gasoline or other flammable vapors and liquids in the vicinity of this or any other appliance. Keep the area around cooking appliances free and clear of combustibles. Purchaser of equipment must post in a prominent location detailed instructions to be followed in the event the operator smells gas. Obtain the instructions from the local gas supplier.

 **WARNING**
SHOCK HAZARD
FOR YOUR SAFETY

Do not open panels that require the use of tools.

Unit must be cleaned daily and properly maintained to reduce chances of unsafe operating conditions.

 **WARNING**

Asphyxiation can result from improper ventilation. Do not obstruct the flow of combustion and ventilation air to and from your cooking equipment.

NOTICE

Be sure this Operator's Manual and important papers are given to the proper authority to retain for future reference.

NOTICE

This product is intended for commercial use only. NOT FOR HOUSEHOLD USE.

Congratulations! You have purchased one of the finest pieces of heavy-duty commercial cooking equipment on the market.

You will find that your new equipment, like all Southbend equipment, has been designed and manufactured to meet the toughest standards in the industry. Each piece of Southbend equipment is carefully engineered and designs are verified through laboratory tests and field installations. With proper care and field maintenance, you will experience years of reliable, trouble-free operation. **For best results, read this manual carefully.**

RETAIN THIS MANUAL FOR FUTURE REFERENCE.

Table of Contents

Specifications	4
Installation	9
Operation	20
Operation for Touchscreen Models Only	24
Cooking Hints	34
Cleaning	37
Adjustments	39
Troubleshooting	43

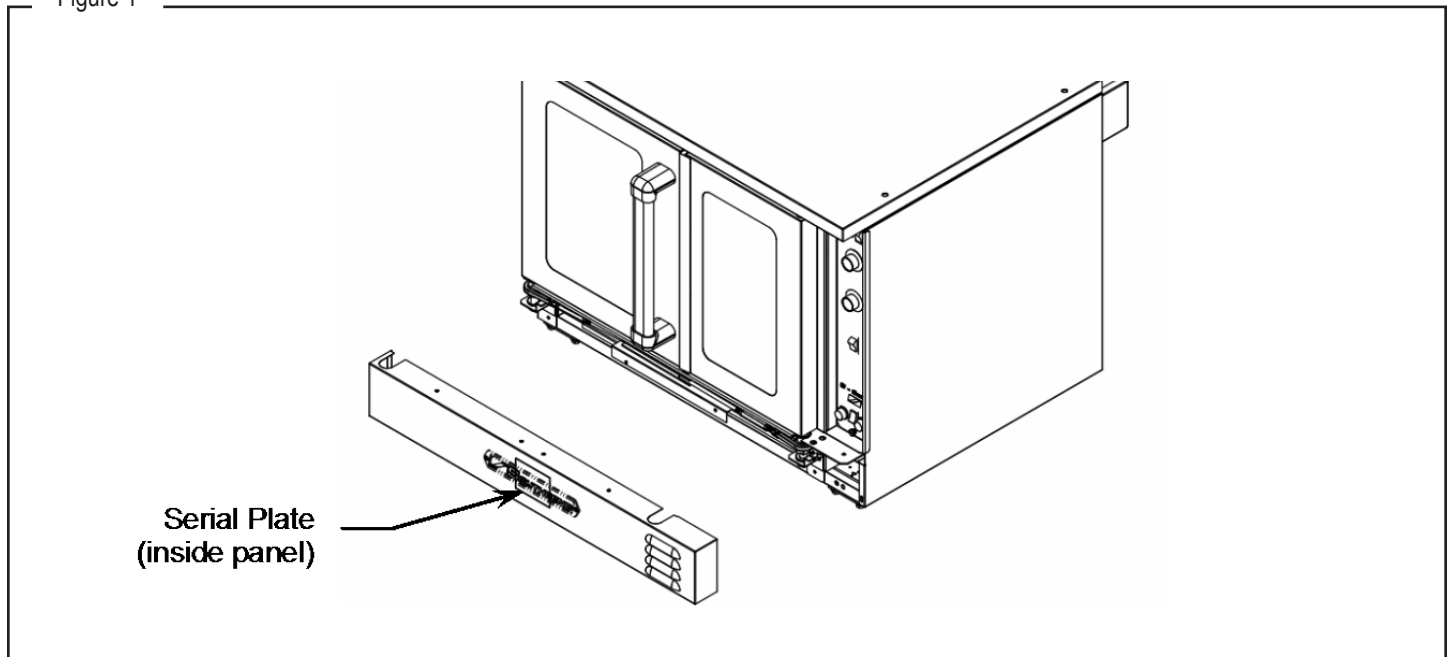
Read these instructions carefully before attempting installation. Installation and initial startup should be performed by a qualified installer. Unless the installation instructions for this product are followed by a qualified service technician (a person experienced in and knowledgeable with the installation of commercial gas and/or electric cooking equipment) then the terms and conditions on the Manufacturer’s Limited Warranty will be rendered void and no warranty of any kind shall apply.

In the event you have questions concerning the installation, use, care, or service of the product, contact:

Southbend Technical Service
 1100 Old Honeycutt Road
 Fuquay-Varina, North Carolina 27526 USA

The serial plate is located on the interior side of the lower front panel, as shown below.

Figure 1



Serial Plate
(inside panel)

SPECIFICATIONS

NOTICE

The appliance, when installed, must be electrically grounded and comply with local codes, or in the absence of local codes, with the *National Electrical Code, ANSI/NFPA 70*, or the *Canadian Electrical Code, CSA C22.2*, as applicable.

Southbend reserves the right to change specifications and product design without notice. Such revisions do not entitle the buyer to corresponding changes, additions, or replacements for previously purchased equipment.

This product is intended for commercial use only, not for household use.

MINIMUM CLEARANCES

WARNING

There must be adequate clearance between the left side of the ovens and the combustible construction..

	Minimum Clearance from Combustible Construction	Minimum Clearance from Non-Combustible Construction	Minimum Clearance from heat- producing appliance
Back	2"	2"	6"
Right Side	0"	0"	6"
Left Side	2"	0"	6"
Floor	0"	0"	6"

Adequate clearance must be provided in the aisle to allow the doors to open sufficiently to permit the removal of the racks and for serviceability.

Care must be taken to provide adequate air circulation to prevent the motor from overheating.

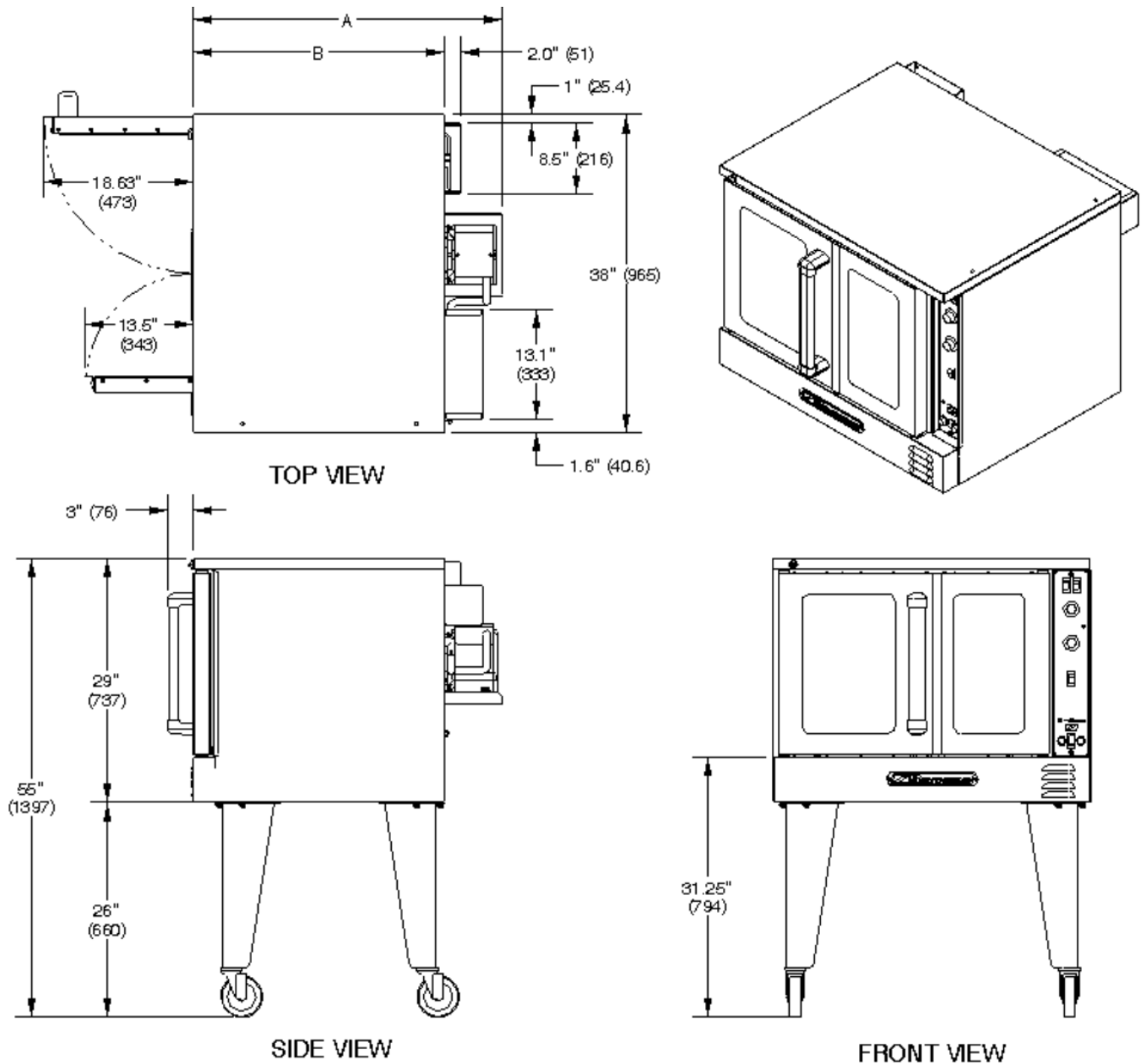
Do not locate the oven adjacent to any high heat or grease-producing piece of equipment, such as a range top, griddle, fryer, etc., that could allow radiant heat to raise the exterior temperature of the oven above 130°F (54°C).

DO NOT MOUNT ABOVE OTHER COOKING EQUIPMENT.

EXTERIOR DIMENSIONS

Figure 2

Single-Deck Ovens



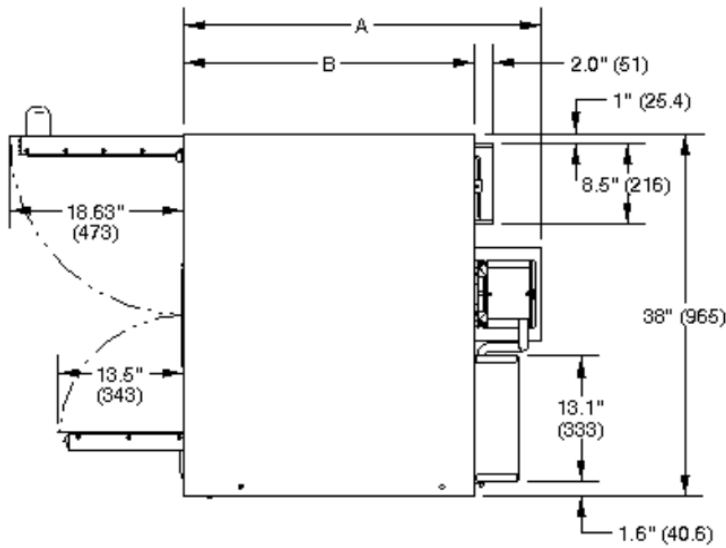
Model Number	Depth Dimensions		Oven Interior			Rack Clearance		Shipping Crate				
	A	B	width	depth	height	width	depth	width	depth	height	volume	weight
PCE75S/... PCE11S/...	37.25" (947mm)	30.25" (769mm)	29" (737mm)	21.5" (546mm)	20" (508mm)	28.25" (718mm)	21" (533mm)	57.50" (1461mm)	45.5" (1156mm)	45" (1143mm)	68.1 cu. ft. 1.93 cu. m	620 lbs. (281.2kg)
PCE75B/... PCE11B/...	43.50" (1105mm)	36.50" (928mm)	29" (737mm)	27.5" (699mm)	20" (508mm)	28.25" (718mm)	27.25" (692mm)	57.50" (1461mm)	45.5" (1156mm)	45" (1143mm)	68.1 cu. ft. 1.93 cu. m	680 lbs. 313.0kg



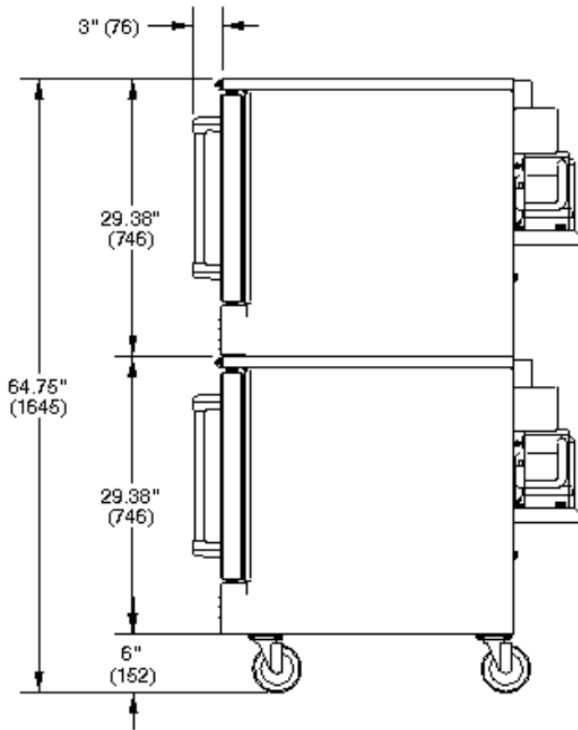
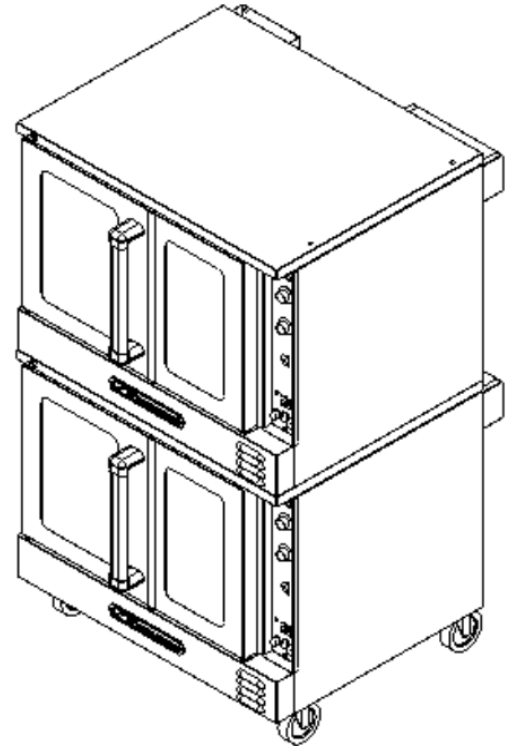
EXTERIOR DIMENSIONS

Figure 3

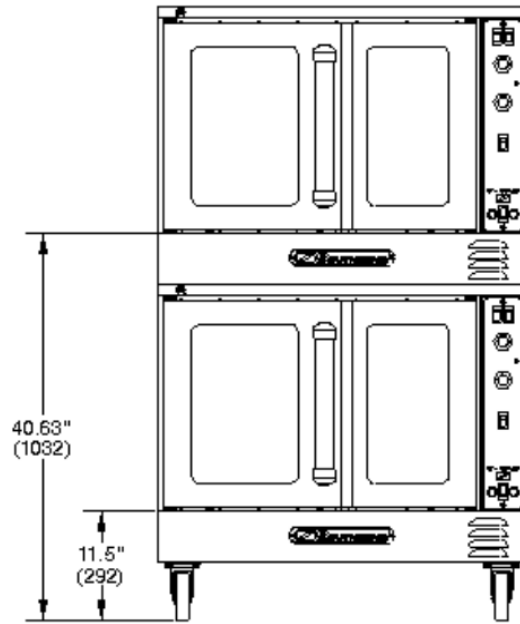
Double-Deck Ovens



TOP VIEW



SIDE VIEW



FRONT VIEW

Model Number	Depth Dimensions		Oven Interior			Rack Clearance		Shipping Crate				
	A	B	width	depth	height	width	depth	width	depth	height	volume	weight
PCE15S/.. PCE22S/..	37.25" (947mm)	30.25" (769mm)	29" (737mm)	21.50" (546mm)	20" (508mm)	28.25" (718mm)	21" (533mm)	57.5" (1461mm)	45.5" (1156mm)	81.5" (2070mm)	123.4 cu. ft. 3.49 cu. m	1040 lbs (471.7kg)
PCE15B/.. PCE22B/..	43.50" (1105mm)	36.50" (928mm)	29" (737mm)	27.50" (699mm)	20" (508mm)	28.25" (718mm)	27.25" (692mm)	57.50" (1461mm)	45.5" (1156mm)	81.5" (2070mm)	123.4 cu. ft. 3.49 cu. m	1180 lbs (535.2 kg)



ELECTRICITY SUPPLY

The following tables lists the electricity supply requirements PER OVEN deck (double for dual-oven models).

Supply Voltage	Oven Component	Total kW	3-Phase Loading (kW/phase)			Nominal Amperes per Line-Wire 3-Phase				Minimum Supply Wire (AWG) Size	
			L1-L2	L2-L3	L1-L3	L1	L2	L3	1-Phase Total	3-Phase	1-Phase
480	Heating Elements	7.5	2.50	2.50	2.50	9.10	9.10	9.10	15.70	12	10
	Motor & Controls	0.90	0.00	0.00	0.90	2.20	0.00	2.20	2.20		
415	Heating Elements	7.5	2.50	2.50	2.50	10.50	10.50	10.50	31.30	12	8
	Motor & Controls	0.90	0.00	L3-N	0.90	0.00	0.00	3.80	3.80		
380	Heating Elements	7.5	2.50	2.50	2.50	11.40	11.40	11.40	19.80	12	10
	Motor & Controls	0.90	0.00	L3-N	0.90	0.00	0.00	4.10	4.10		
240	Heating Elements	7.5	2.50	2.50	2.50	18.10	18.10	18.10	31.30	10	8
	Motor & Controls	0.90	0.00	0.00	0.90	3.80	0.00	3.80	3.80		
220	Heating Elements	6.3	2.10	2.10	2.10	16.60	16.60	16.60	27.30	10	8
	Motor & Controls	0.90	0.00	0.00	0.90	4.10	0.00	4.10	4.10		
208	Heating Elements	7.5	2.50	2.50	2.50	20.90	20.90	20.90	36.10	8	8
	Motor & Controls	0.90	0.00	0.00	0.90	4.30	0.00	4.30	4.30		

Supply Voltage	Oven Component	Total kW	3-Phase Loading (kW/phase)			Nominal Amperes per Line-Wire 3-Phase				Minimum Supply Wire (AWG) Size	
			L1-L2	L2-L3	L1-L3	L1	L2	L3	1-Phase Total	3-Phase	1-Phase
480	Heating Elements	11.00	3.67	3.67	3.67	13.3	13.3	13.3	23	12	10
	Motor & Controls	0.90	0.00	0.00	0.90	2.2	0.0	2.2	2.2		
415	Heating Elements	11.00	3.67	3.67	3.67	15.4	15.4	15.4	45.9	12	6
	Motor & Controls	0.90	0.00	L3-N	0.90	0.0	0.0	3.8	3.8		
380	Heating Elements	11.00	3.67	3.67	3.67	16.8	16.8	16.8	29	12	8
	Motor & Controls	0.90	0.00	L3-N	0.90	0.0	0.0	4.1	4.1		
240	Heating Elements	11.00	3.67	3.67	3.67	26.5	26.5	26.5	45.9	8	6
	Motor & Controls	0.90	0.00	0.00	0.90	3.8	0.0	3.8	3.8		
220	Heating Elements	9.25	3.10	3.10	3.10	24.3	24.3	24.3	42.1	8	6
	Motor & Controls	0.90	0.00	0.00	0.90	4.1	0.0	4.1	4.1		
208	Heating Elements	11.00	3.67	3.67	3.67	30.6	30.6	30.6	52.9	8	4
	Motor & Controls	0.90	0.00	0.00	0.90	4.3	0.0	4.3	4.3		

An electrical diagram is located on the side of the control panel assembly (see drawing on page 44). Electrical diagrams can also be found in this manual beginning on page 46.

The electrical connections are made directly to the terminals of the heating-element contactor, which is located inside the control panel compartment on the right side of the oven. A circular opening sized for a strain-relief fitting is located on the back of the oven near the right side. Models with two stacked ovens have a separate electrical connection for each oven.

Use 167°F (75°C) wire for all supply lines.

Ovens are shipped wired for either single-phase or three-phase operation, depending on which was specified on the factory order. If necessary, an oven can be field-converted to use either single-phase or three-phase power (see page 41).



VENTILATION

NOTICE

Proper ventilation is the owner's responsibility. Any problem due to improper ventilation will not be covered by the warranty.

If a ventilation canopy is used, it is recommended that a canopy extend 6" past the appliance and that the bottom edge be located 6'6" from the floor. Filters should be installed at an angle of 45° or more from the horizontal. This position prevents dripping grease and facilitates collecting the run-off grease in a drip pan, unusually installed with a filter.

If an exhaust fan is used, it should be installed at least 2" above the flue opening at the top of the unit. A strong exhaust fan tends to create a vacuum in the room. Fresh air openings approximately equal to the fan area will relieve such a vacuum. In case of unsatisfactory performance on any appliance, check the appliance with the exhaust fan in the "OFF" position. Do this only long enough to check equipment performance. Then turn the exhaust fan back on and let it run to remove any exhaust that may have accumulated during the test.

INSTALLATION

NOTICE

These installation procedures must be followed by qualified personnel or warranty will be void.

Local codes regarding installation vary greatly from one area to another. The National Fire Protection Association, Inc. states in its NFPA 96 latest edition that local codes are the “authority having jurisdiction” when it comes to installation requirements for equipment. Therefore, installations should comply with all local codes.

This appliance, when installed, must be electrically grounded in accordance with local codes, or in the absence of local codes, with the *National Electrical Code, ANSI/NFPA 70* or the *Canadian Electrical Code, CSA C22.2*, as applicable.

Step 1: UNPACKING

IMMEDIATELY INSPECT FOR SHIPPING DAMAGE

All containers should be examined for damage before and during unloading. The freight carrier has assumed responsibility for its safe transit and delivery. If damaged equipment is received, either apparent or concealed, a claim must be made with the delivering carrier.

Apparent damage or loss must be noted on the freight bill at the time of delivery. The freight bill must then be signed by the carrier representative (Driver). If the bill is not signed, the carrier may refuse the claim. The carrier can supply the necessary forms.

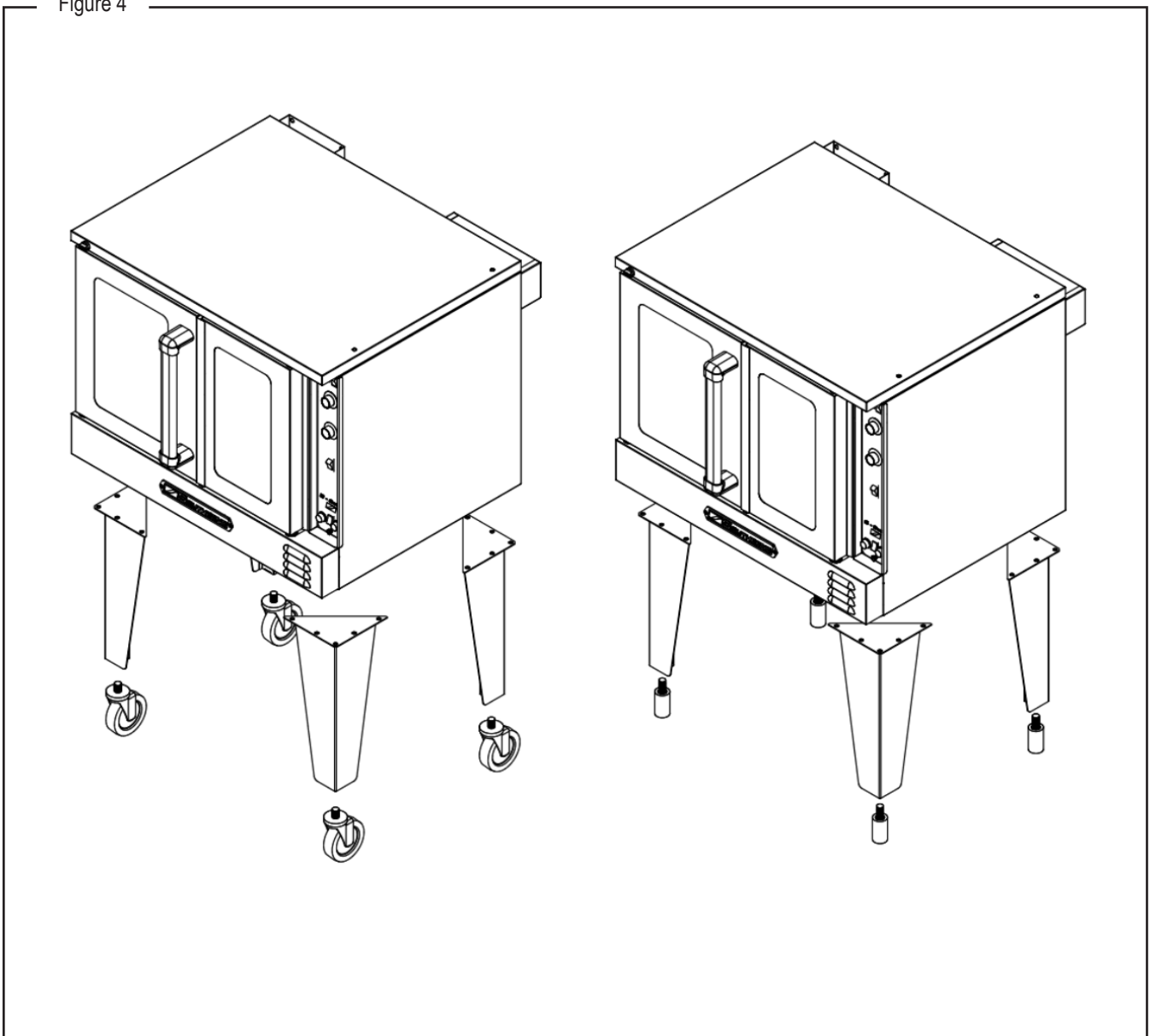
A request for inspection must be made to the carrier within 15 days if there is concealed damage or loss that is not apparent until after the equipment is uncrated. The carrier should arrange an inspection. Be certain to hold all contents plus all packing material.

1. Cut the banding straps and remove packing material.
2. Remove the lag bolts that secure the oven to wooden skid..
3. If you are installing a single-deck oven, go to Step 2a.
If you are installing a double-deck oven, go to Step 2b.

Step 2a: Installation of Legs on Single-Deck Ovens

1. Raise the oven sufficiently to allow clearance for the legs to be attached. Use of a lift truck or other mechanical lifting means is recommended. For safety, “shore up” and support the oven with an adequate blocking arrangement strong enough to support the load. (If it is necessary to rest the oven on its side, rest it on its left side or back side. Take care to protect the finish on the left side, and to prevent the weight from resting on the motor on the back.)
2. Attach the legs to the bottom corners of the oven using the provided machine screws, flat washers, and lock washers. Each leg is secured by five screws. The mounting holes are pre-drilled and threaded.
3. Screw into the bottom of each leg either an adjustable foot or a caster (depending on which option was ordered). If attaching casters, the two casters with brakes should be attached to the front legs.
4. Lower the oven gently onto a level surface. Never drop or allow the oven to fall.
5. Use a level to make sure that the oven is level. The adjustable feet can be screwed in or out to lower or raise each corner of the oven.
6. If casters were installed, go to Installation Step 3 on page 12, otherwise go to Step 4 on page 14.

Figure 4

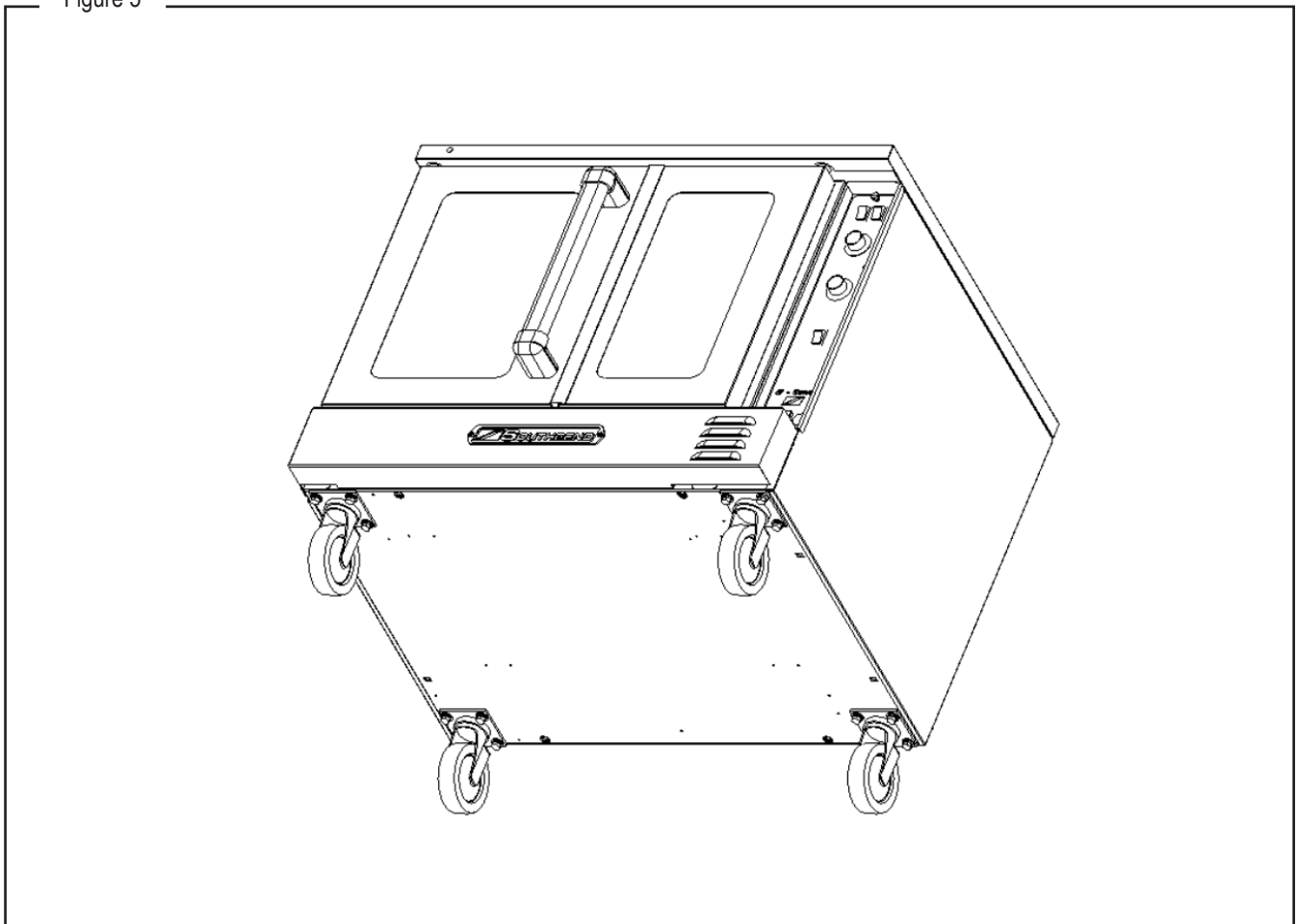


Step 2b: Installation of Legs on Double-Deck Ovens

Double-deck oven can be shipped either already bolted together, or as two separate ovens to be bolted together after delivery. In either case, the oven that is (or will be) the lower oven will have leg pads already bolted to the bottom corners of the oven. Do the following:

1. Raise oven sufficiently to allow clearance for the legs to be attached. Use of a lift truck or other mechanical lifting means is recommended. For safety, "shore up" and support the oven with an adequate blocking arrangement strong enough to support the load. (If it is necessary to rest the oven on its side, rest it on its left side or back side. Take care to protect the finish on the left side, and to prevent the weight from resting on the motor on the back.)
2. Screw into the center of each leg pad either an adjustable leg or a caster (depending on which option was ordered). If attaching casters, the two casters with brakes should be attached to the front leg pads.
3. Lower the oven gently onto a level surface. Never drop or allow the oven to fall.
4. Use a level to make sure that the oven is level. The adjustable legs can be screwed in or out to lower or raise each corner of the oven.
5. If casters were installed, go to Installation Step 3 on page 12, otherwise go to Step 4 on page 14.

Figure 5



Step 3: Installation of Restraint (Only for Ovens with Casters)

NOTICE

For an appliance equipped with casters, (1) the installation shall be made with a connector that complies with the *Standard for Connectors for Movable Appliances*, (2) adequate means must be provided to limit the movement of the appliance without depending on the connector and the quick-disconnect device or its associated piping to limit the appliance movement and (3) the restraining means should be attached to a frame member on the back of the unit.

! WARNING

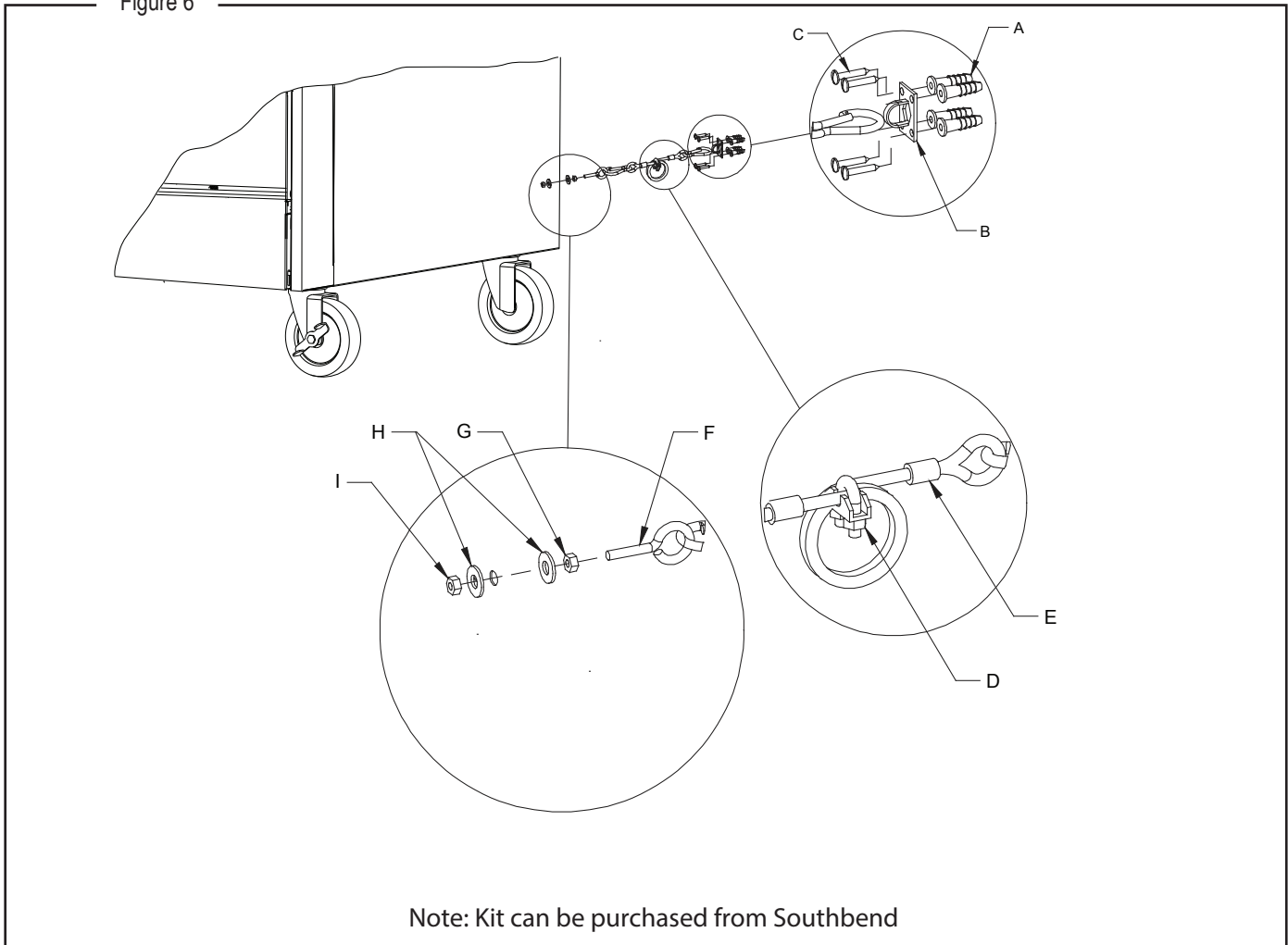
To avoid the risk of accidental electric shock, disconnect the unit from the power supply before moving the unit.

! WARNING

If disconnection of this restraint is necessary to move the appliance for cleaning, etc., reconnect it when the appliance is moved to its originally installed position.

1. Secure the restraining device bracket (item "B" in the following illustration) to a wall stud located as close as possible to the appliance connector inlet and outlet connections. Use four #12 screws (items "C") and plastic anchors (items "A") if necessary.

Figure 6



2. Install an eye-bolt (item “F”) to a frame member on the rear of the equipment. After checking carefully behind the frame member for adequate clearance, drill a 1/4” hole through the frame member.
3. Thread the hex nut (item “G”) and slide the washer (item “H”) onto the eye-bolt. Insert the eye-bolt through the 1/4” drilled hole and secure with a washer (item “H”) and nylon lock nut (item “I”).
4. Using the spring-loaded snap hooks, attach the restraining device to the bracket and the eye bolt.
5. Using the cable clamp (item “D”), adjust the restraining device’s extended length to prevent over-bending or kinking of the appliance connector.

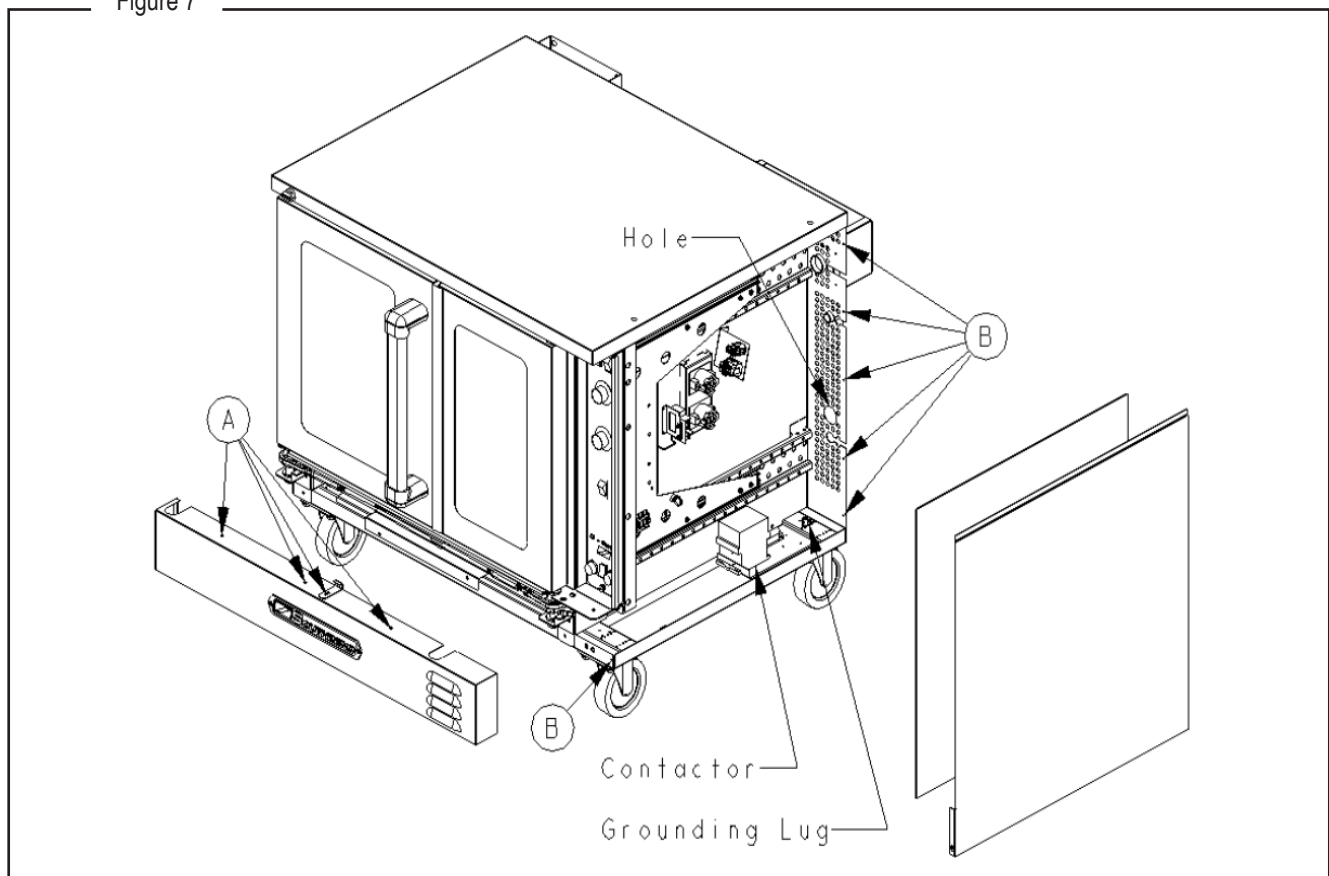
For units not equipped with flame safety devices, be sure all valves are turned off before disconnecting. After reconnecting, be sure that the oven is switched OFF.

Step 4: Stack Double-Deck Oven (if necessary)

Ovens that were originally ordered as single ovens can be stacked in the field (additional parts are required). This installation step describes the procedure for stacking two single-deck ovens to form a double-deck oven.

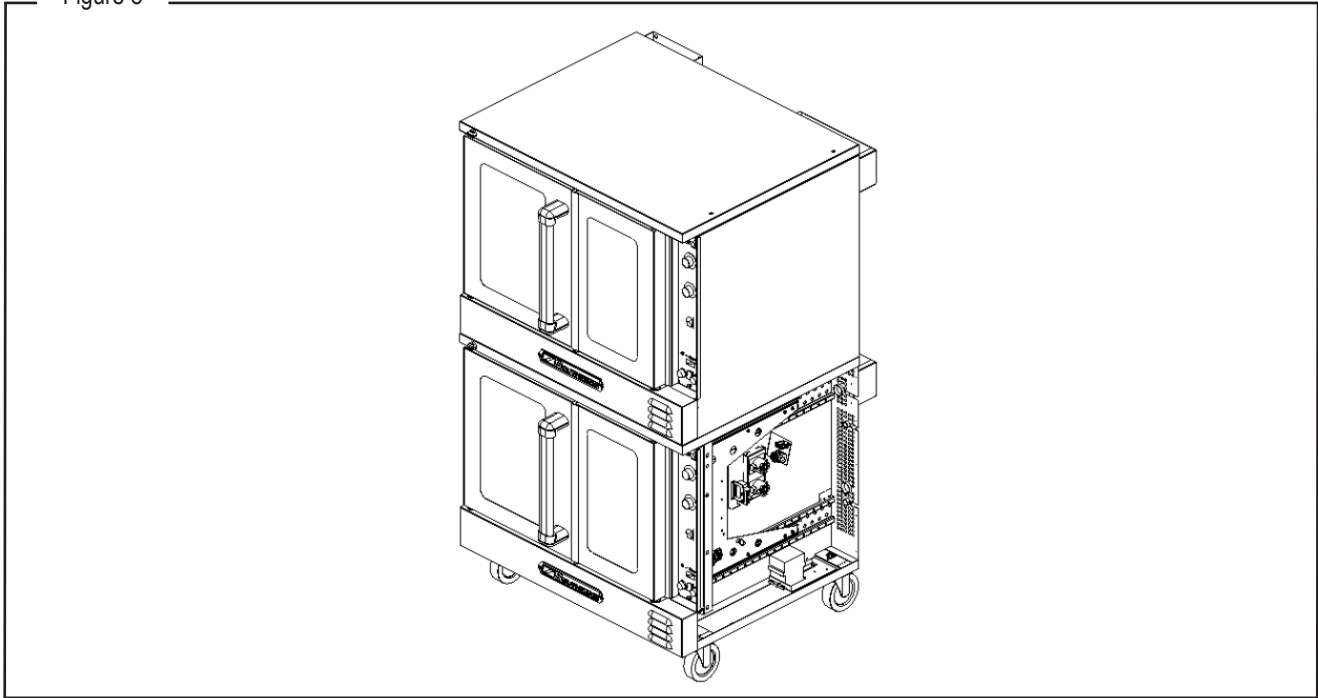
1. Uncrate the two ovens. Identify the oven that will be the lower oven (it will be the oven with leg pads attached to the bottom corners). Attach the legs (or casters) to the lower oven as described in Step 2b on page 11.
2. If the oven that will be the top oven was NOT ordered as part of a double-deck oven, remove the four leg pads from the bottom of the top oven.
3. Locate and remove the four screws that secure the lower front panel (items "A" in the drawing below). Lift the panel and pull it forward to remove it, then set it aside.
4. Locate and remove the front screw (item "B" in the drawing below), that secures the lower front corner of the side panel.
5. Locate and remove the five screws that secure the right side panel to the oven (items "B" in the drawing below). Remove the right side panel and insulation and set them aside.

Figure 7



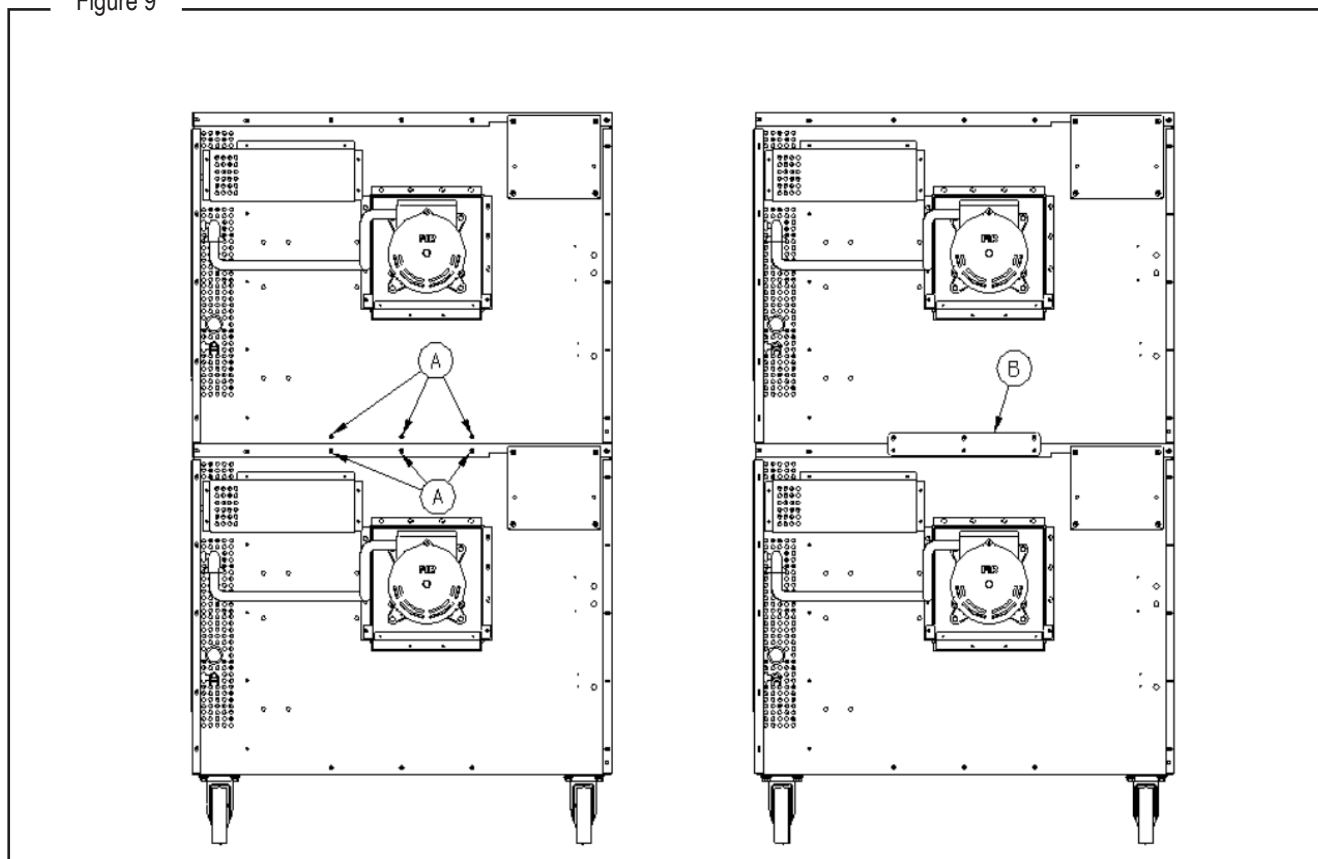
- Lift the top oven and position it on top of the lower oven, as shown in the drawing below.

Figure 8



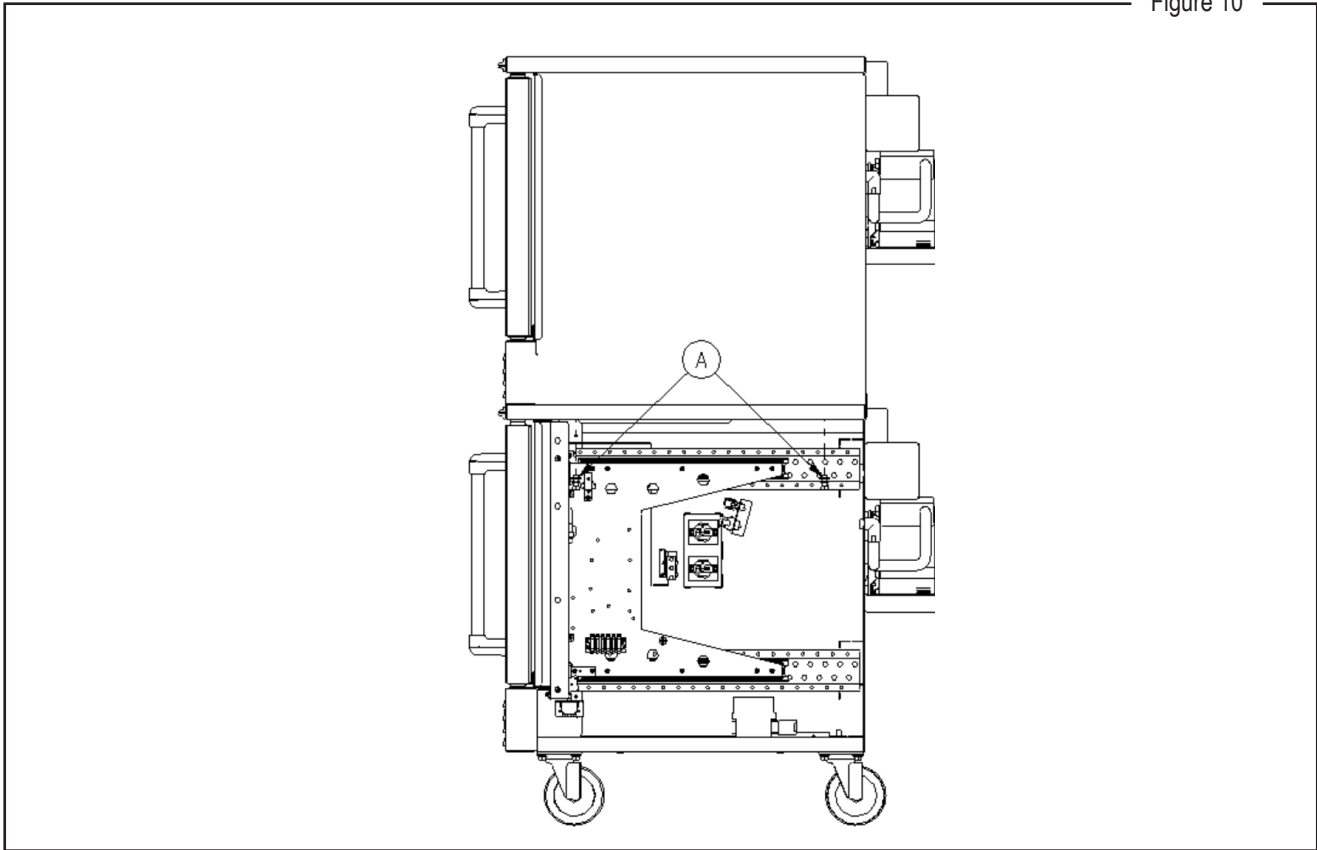
- Move to the rear of the ovens and remove the six screws shown as items "A" in the left-hand drawing below. Position the tie bracket (item "B") as shown in the right-hand drawing below. Re-insert the screws that you just removed through the holes in the tie bracket, but do not tighten them yet.

Figure 9



8. Insert two bolts (items "A" in the following diagram) up through the top of the lower oven and screw them into the threaded holes in the bottom of the top oven. Tighten these bolts and the screws that you did not tighten in the previous step.

Figure 10



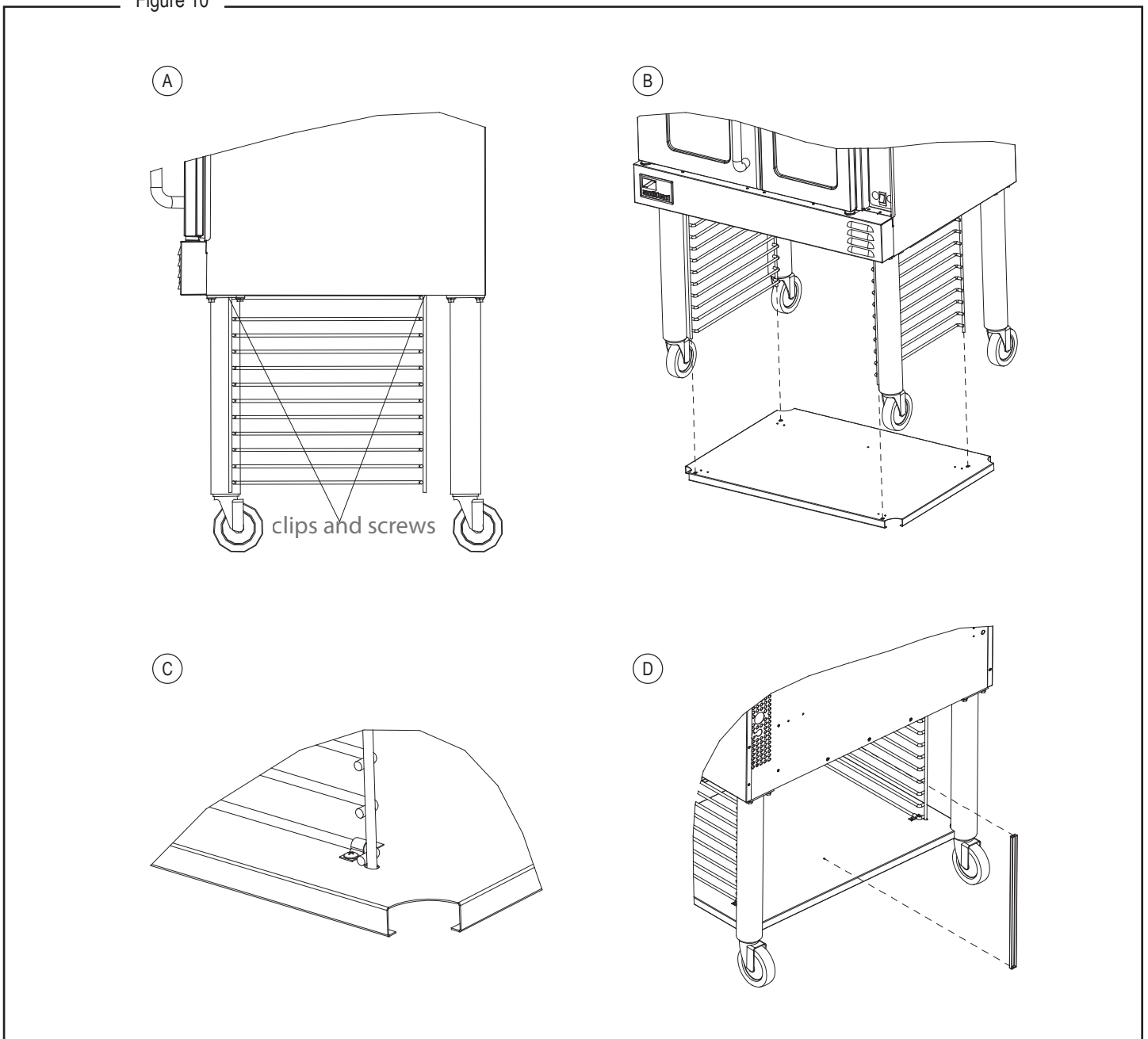
9. Replace the right side insulation, exterior panel, and lower front panel that you removed in steps 4, 5, and 6 of this procedure.

Step 5: Installation of Optional Open Pan Storage on Platinum Series Ovens

The following describes how to assemble the optional open storage. All holes are pre-drilled for the provided screws.

1. Attach the legs to the oven as described in installation Step 2a on page 10.
2. Attach the two rack guides to the bottom of the oven using two clips and four screws for each rack (see figure “A” below).
3. Position the shelf below the rack guides and lift it so that the bottom ends of the rack guides pass through the holes in the shelf (see figure “B” below)
4. Secure the shelf to the rack guides with four clips, each secured by two screws that thread into the threaded holes on the shelf (see figure “C” below).
5. Attach the rack-stop using two screws. Attach the top of the rack stop to the bottom of the oven, and the bottom of the rack stop to the shelf (see figure “D” below).

Figure 10



Step 6: Connect Electricity Supply



WARNING ELECTRIC GROUNDING INSTRUCTIONS

This appliance, when installed, must be electrically grounded per local codes, or in the absence of local codes, with the *National Electrical Code, ANSI/NFPA 70* or the *Canadian Electrical Code, CSA C22.2*, as applicable.

Ovens are shipped wired for either single-phase or three-phase power according to the original factory order. Wiring diagrams are located on the side of the control panel assembly, as well as in this manual (beginning on page 46). Be sure that the input voltage and phase match the requirements shown on the serial plate, which is located inside the lower front panel.

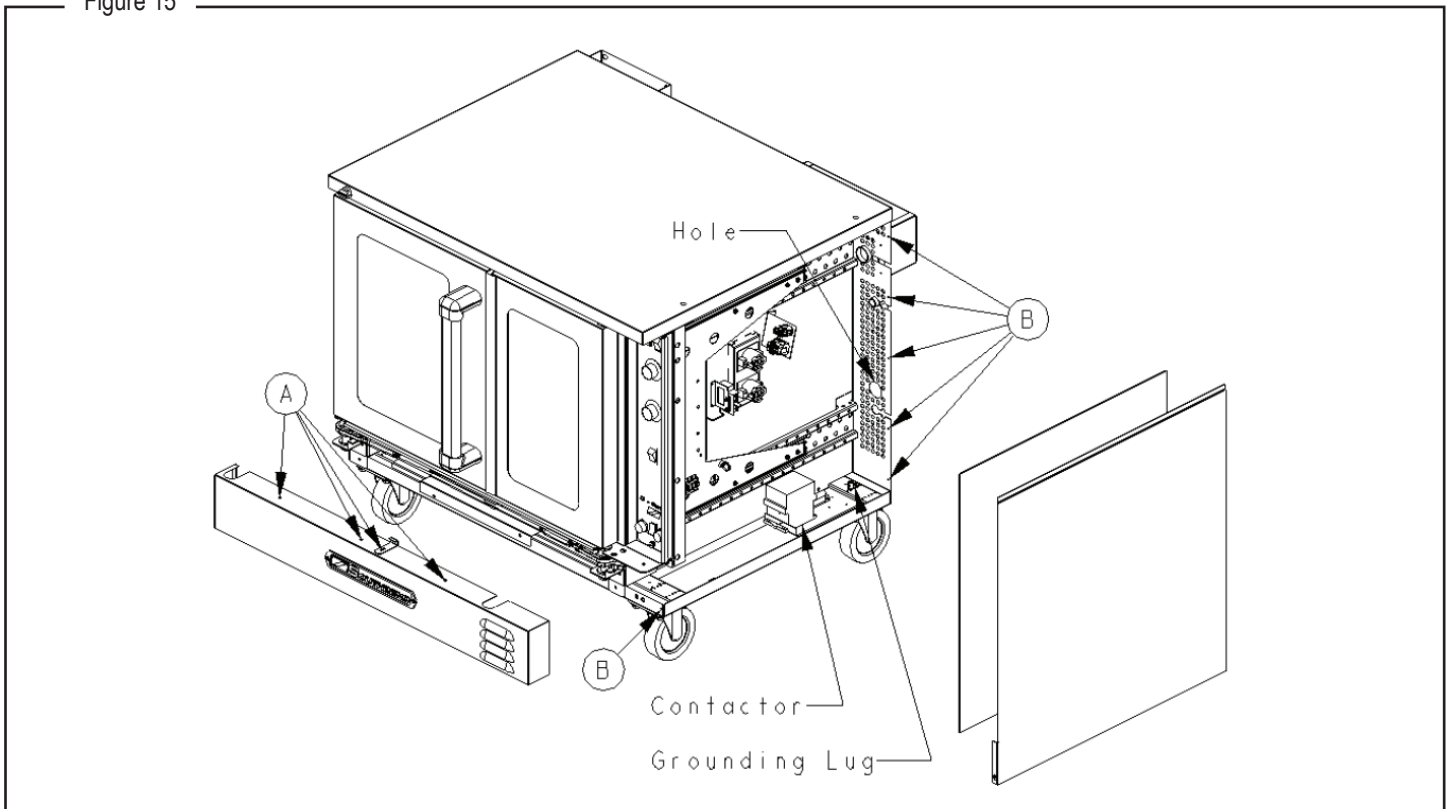
Conversion between single-phase and three-phase power can be performed in the field (see page 41).

The oven must be adequately grounded.

Use 167°F (75°C) wire for all supply lines.

The following drawing shows the locations of items referred to in the following procedure.

Figure 15



1. CHECK THAT THE POWER SUPPLY CIRCUIT BREAKER IS OPEN.

2. Locate and remove the four screws that secure the lower front panel (items "A" in the drawing above). Lift the panel and pull it forward to remove it, then set it aside.
3. Locate and remove the front screw (item "B" in the drawing above), that secures the lower front corner of the side panel.
4. Locate and remove the five rear screws that secure the back edge of the side panel to the oven (items "B" in the drawing above). Remove the side panel and insulation and set them aside.

5. Route the supply wires and the grounding wire through the hole in the back of the oven. Use a strain-relief fitting.
6. Attach each supply wire to the appropriate terminal of the contactor (according to the wiring diagram).
7. Insert the ground wire into the grounding lug and tighten the screw.
8. Check that all connections match the wiring diagram and are tight.
9. Reattach the right-side panel and insulation; and the lower-front panel.

Step 7: Check the Installation

1. Check that all screws and bolts are tightened.
2. Move the oven into the position at which it will be operated.
3. Check that the oven is level. If not, adjust the legs.
4. Check that the appropriate clearances are satisfied (see page 4).
5. Turn on supply power and check the oven for proper operation.

OPERATION

OPERATING THE CONTROLS

A convection oven is a different type of oven that offers many features and advantages to the food service operation. The additional capabilities and features of the oven require some learning. However, the operation of the oven is not difficult to understand or control once you have some practice.

Each oven will have one of the two types of control panels:

- Models with **Standard Controls** are the most similar to a standard (non-convection) oven. Instructions for operating this type of oven begin on page 21.
- Models with **Touch Controls** are the most versatile option allowing for manual cooking with cook and hold, as well as programming recipes and cooking groups. Instructions for operating this type of oven begin on page 23.

MOISTURE VENT

Each oven has a moisture vent that is opened and closed using the small knob located near the top left corner of the front panel of the oven (see illustration below). Usually, the vent is kept open to allow moisture to escape. Close the vent (turn the knob clockwise) when doing fine baking.

Figure 16

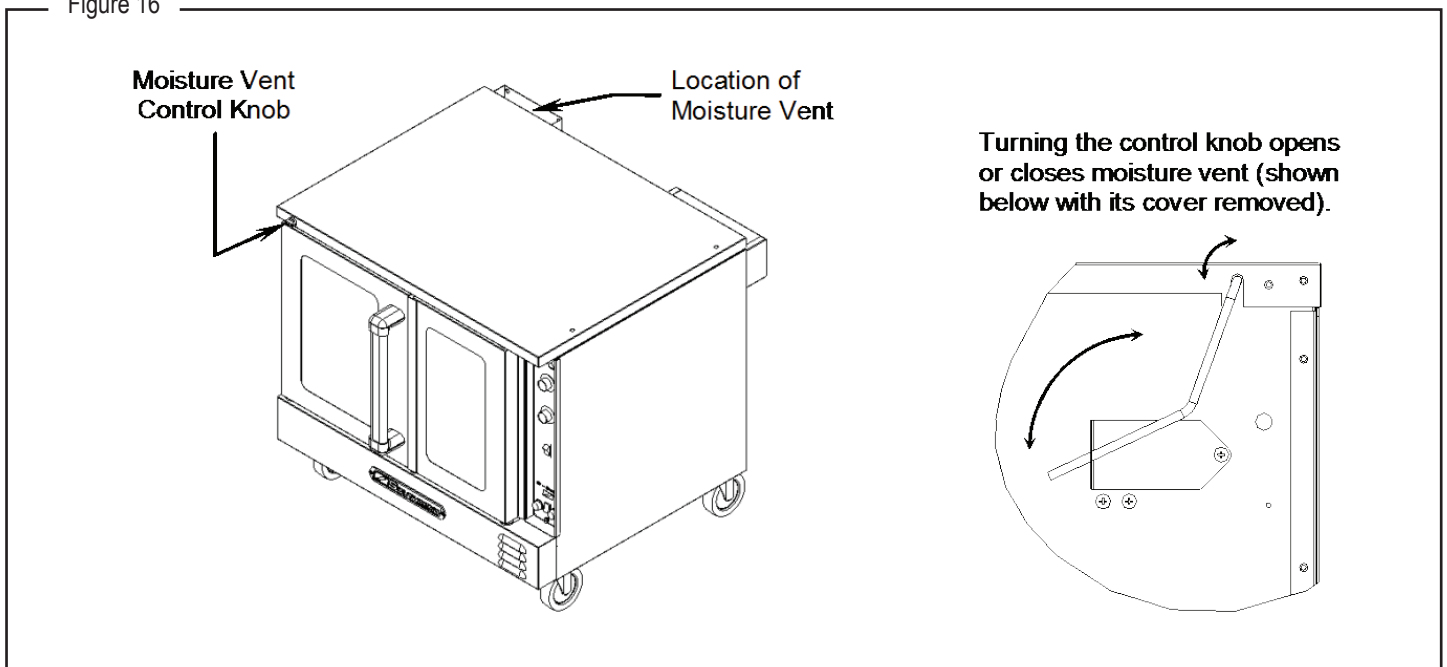


Figure 17

Control Panel of STANDARD Models

Power Switch

Switch ON to use the oven, switch OFF when done using the oven.

Cook Timer

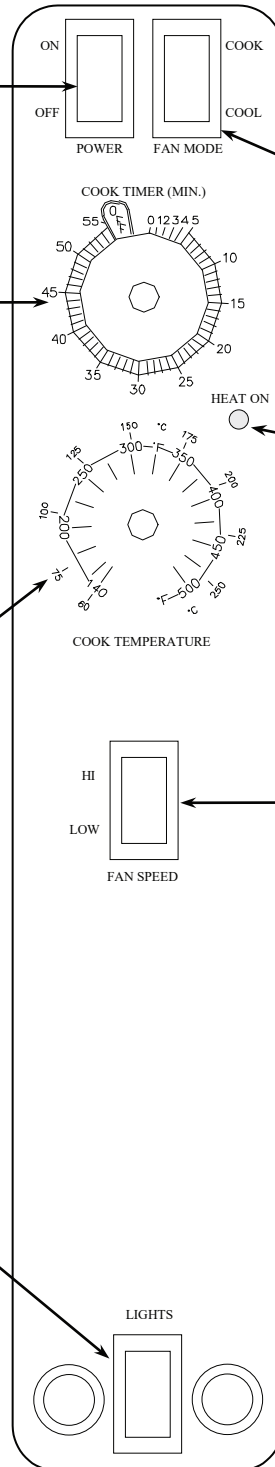
Turn knob to set a time duration. An alarm will sound when the timer runs out. The timer is a reminder to the user; **the timer does not control the oven.**

Cook Temperature Control

Turn knob to select desired cooking temperature. The Heat On indicator will go out when the oven reaches the set temperature, and will cycle on and off as the elements operate to maintain the set cooking temperature.

Oven Interior Light Switch

On ovens equipped with an oven interior light, press to turn on the light. The light remains on for as long as the switch is held.



Fan Mode

In COOK mode, the fan runs continuously except when the doors are open. The fan does NOT cycle with the operation of the elements.

In COOL mode, the fan runs continuously even if the doors are open. Since the elements will not operate if the oven doors are open, to rapidly cool the oven after cooking is completed, open the doors and switch the fan mode to COOL.

Heat-On Indicator

Indicator is lit when the elements are operating.

Fan Speed

Use to select fan speed (HI or LOW). The appropriate speed is determined by the type of food being cooked.



Operation of STANDARD Models

Models with Standard Controls operate much like a standard oven: you turn the oven ON and select a cooking temperature. Two additional controls are used to control the fan (as described below).

The timer is a reminder to you of when to remove food from the oven. **The timer does NOT control the temperature of the oven.**

To cook, do the following:

1. Turn the oven ON using the Power Switch at the top of the control panel.
2. Select the desired fan speed using the Fan Speed switch. The appropriate fan speed (HI or LOW) depends on the type of food being cooked.
3. Switch the Fan Mode switch to COOK. The fan will run continuously when the oven doors are closed (the fan does not cycle on and off with the elements). (If this switch is set to COOL the only difference is that the fan will continue to run when the oven doors are open.)
4. Set the cooking temperature by turning the Cook Temperature Control until the indicator mark on the knob is pointed to the desired cooking temperature. The Heat On indicator will light when the elements are on and will remain on while the oven preheats.
5. Wait until the Heat On indicator has come on and gone out three times. At that time the oven will have reached the set cooking temperature.
6. Open the oven doors, load the product into the oven, and close the doors.
7. You can use the Cook Timer as a reminder of when to remove the load from the oven. If so desired, turn the Cook Timer knob until the indicator mark points to the desired cooking time (up to 55 minutes). The timer knob will rotate counterclockwise as the timer runs down, indicating how much time remains. You can turn the knob while cooking to increase or decrease the remaining time. When the timer runs out, a buzzer will sound for a short time, then turn itself off. (To immediately silence the buzzer, turn the Cook Timer knob to the OFF position.) The timer is a reminder to you; **the timer does not control the oven.**

If you open the oven doors, the elements and fan will shut off until the doors are closed.

For ovens that are equipped with an oven interior light, to turn on the light press and hold the switch located at the bottom of the control panel.

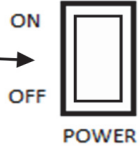
8. When the load has finished cooking, you can rapidly cool the load by opening the oven doors (which will shut off the elements) and switching the Fan Mode to COOL (which will cause the fan to run even though the doors are open). For the most rapid cooling, also switch the Fan Speed switch to HI.
9. When you are done cooking, turn the Cook Temperature control to the lowest setting (fully counterclockwise) and switch the Power Switch to OFF.

Figure 18

Control Panel of Standard Touchscreen Models

Power Switch

Switch ON to use the oven, switch OFF when done using the oven.



Digital Touch Control

All functions are controlled through this panel including temperature, time, lights, and fan speeds. Fan pulse and Cook & Hold are included.



OPERATION FOR TOUCHSCREEN MODELS ONLY

MAIN SCREEN

1. Turn the **Power Switch** ON.

NOTICE

All button pushes will cause the buzzer to make a chirp (see Settings in Configuration section to adjust volume).

2. **Power Button** – Located in the center of the screen below the Southbend logo, pressing this button leads to the Cooking Mode Page.
3. **Lights** – Turns oven light ON/OFF. The button will illuminate and the bulb will glow yellow when ON and can be turned OFF on any other page.

NOTICE

Not all units have lights installed. The button will still be present.
Turning the light ON with one page will continue to keep light on through the different pages.

Figure 19

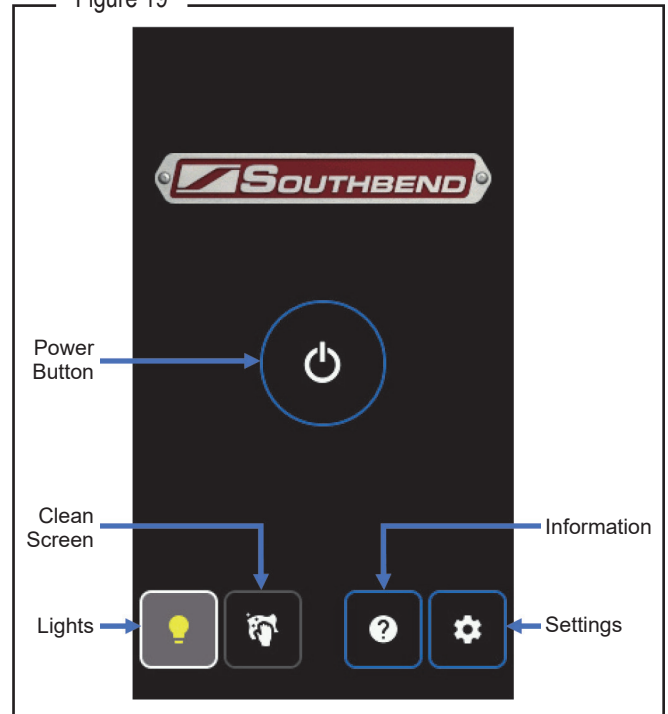
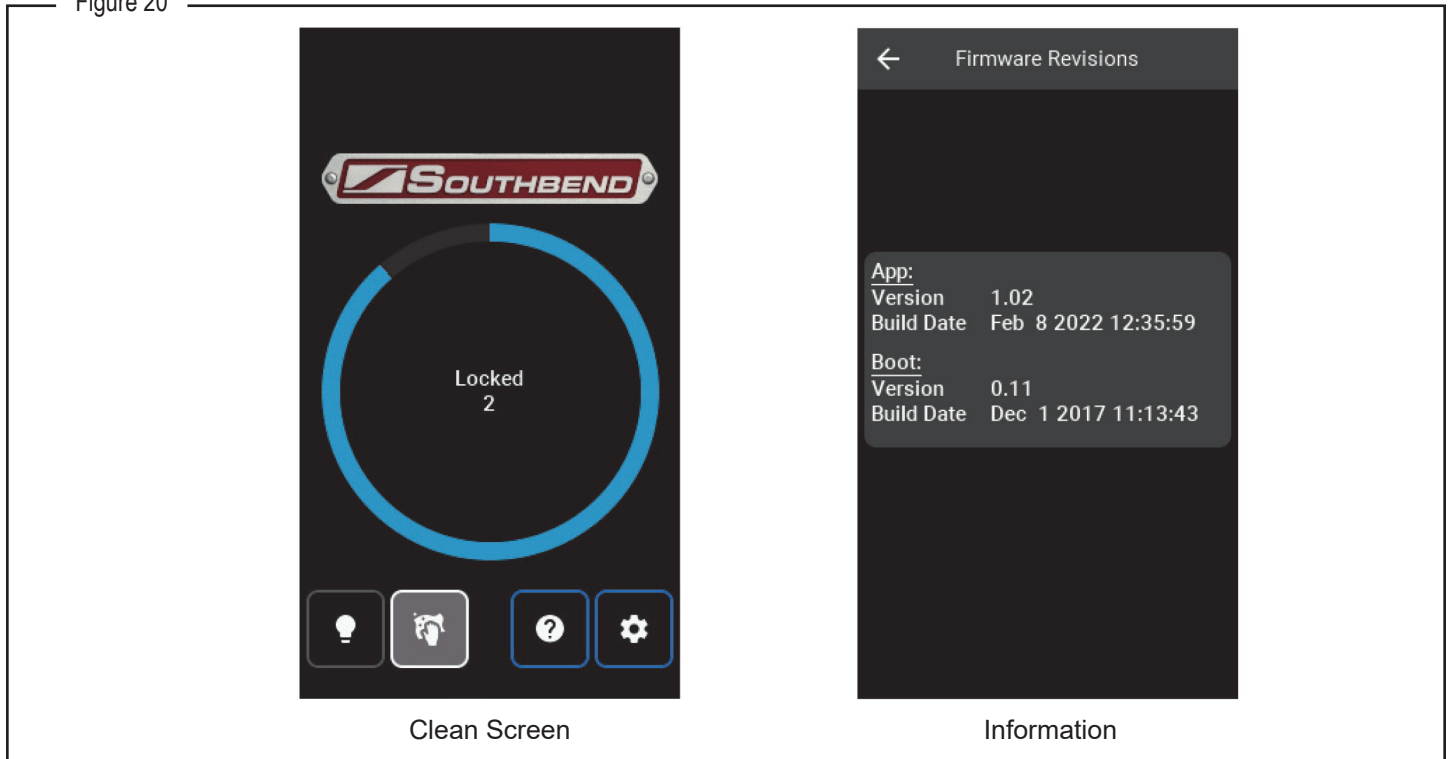


Figure 20



4. **Clean Screen** – Press and hold until the countdown wheel appears with countdown timer in the center of the screen. the screen will be locked for cleaning for 20 seconds. After blue wheel has completed circuit and countdown has reached 0, the screen will be accessible again.
5. **Information** – Firmware information displays the App version with the build date and the Boot version with the build date.
6. **Settings** – Opens Settings Page (see Settings in Configuration section).

COOKING MODE

Disclaimer: All recipes provided in this manual are for reference only and do not reflect real cook times and temperatures. For suggested times and temperatures for recipes, see the Cooking Hints section.

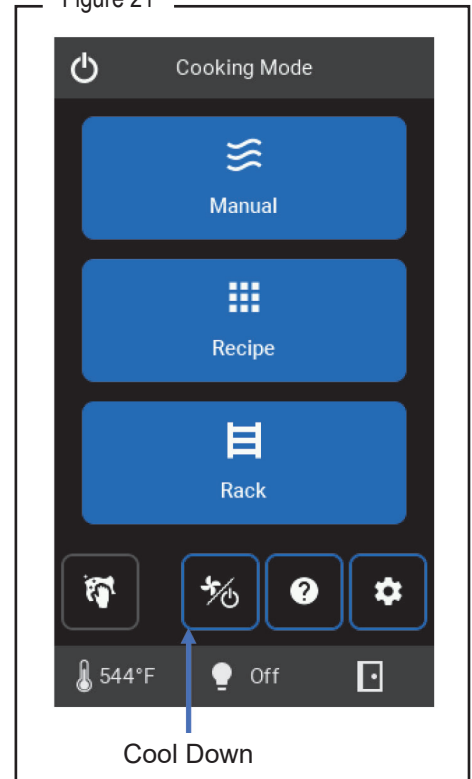
1. **Power Button** – Sends user back to Main Screen. Resets all cooking modes by ending current cooking options and terminates blower and heat source.

NOTICE

Once a cooking mode/selection has been previewed, the blower will turn on automatically and the Cooking ribbon will relay its status. With the door closed, the heat source will remain on indefinitely while the internal temperature is below cook temperature until the oven preheats or the Power Button is pressed.

2. **Manual** – Operate cooking controls manually.
3. **Recipe** – User-created recipes, either manually entered or imported by service USB, to cook with the press of a button.
4. **Rack** – Recipe groupings cooking together based on a number of configured racks, cook time, and cooking temperature.
5. **Clean Panel** – See Main Screen.
6. **Cool Down** – Turns on Fast blower speed, pauses heat sources, and returns to Main Screen. Cool Down mode terminates when internal temperature falls below 130°F/55°C, the Power Button on Cooking Mode page is selected, or when a cooking mode is activated.
7. **Information** – See Main Screen.
8. **Settings** – See Settings in the Configuration section.

Figure 21

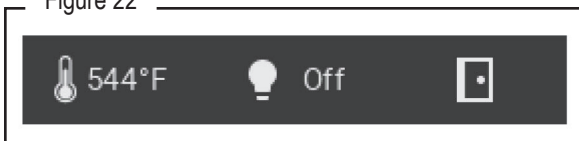




NOTICE

At the end of a cooking cycle, the buzzer will chime on and off until the mode is canceled or reset.

Bottom Ribbon (seen at the bottom of each cooking mode page, but not on the cooking mode selection page)

Figure 22



9. **Internal Temperature**
10. **Lights** – See Main Screen.
11. **Door Indicator** – Closed  Open 

NOTICE

The door must be closed to run fans, and subsequently heat source. The blower will still run with the door open only in Cool Down mode. Any cook timer that is active when the door opens will pause and resume when the door is closed.

MANUAL COOKING

MANUAL COOKING SETUP

NOTICE

All selections are remembered after a cooking cycle has begun and will be recalled upon return to the page until power is cycled. If selections were made but Cook was not pressed or the power was cycled, the selections will return to the previous default settings.

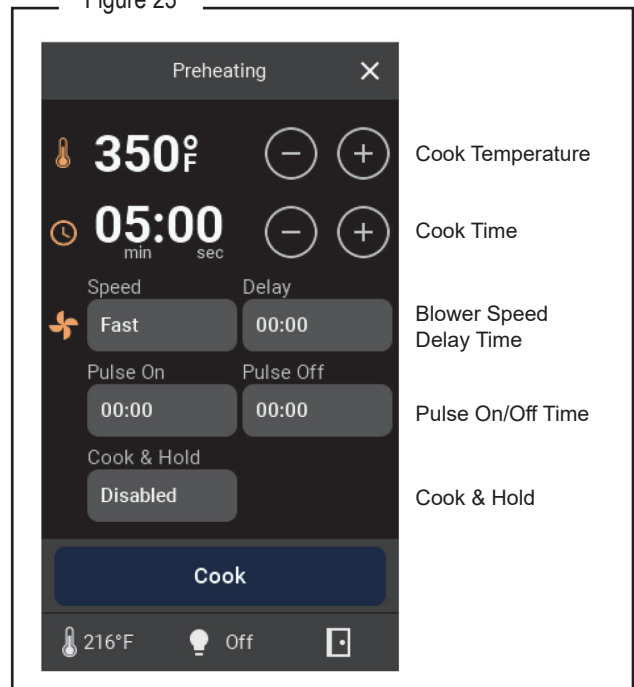
1. Set the cooking temperature (140 °F – 550 °F/60 °C – 288 °C) either by using the add/subtract buttons or by selecting the temperature itself. Using the add/subtract buttons changes the temperature by ± 10 °F/5 °C. Selecting the temperature will lead to a number pad (see Number Pad in the Configuration section for how to use). Temperatures keyed above or below the range will not be accepted and will output the closest min or max.

NOTICE

If the internal temperature is below the set temperature minus Ready Offset Temperature, the top ribbon will appear with a preheating message and Cook will not be accessible. When the cooking temperature is achieved, the ribbon will read Ready and cooking may begin. If the temperature of the oven starts above the cooking temperature the ribbon will read Too Hot until it cools to the desired temperature. The top ribbon will read Cooling when Cool Down is active (see Cooking Mode).

2. Set Time either by using the add/subtract buttons or by selecting the time itself. Using the add/subtract buttons steps the time by ± 10 seconds. Upon reaching an hour the format will change from MM:SS to HH:MM. Selecting the time will lead to a number pad. MM:SS or HH:MM can be selected before keying in time. Keying in a time above 59:59 in MM:SS will change the format to HH:MM. Max time is 24 hours.
3. Press the Blower Speed button (Blower Logo) to toggle the blower speed between Fast and Slow.
4. A delay time can be set to temporarily shut off the blower and heat source before the cook starts. Delay time is included in the total cook time. Max delay time is one hour.
5. Pulse ON/OFF is used to cycle the blower. The maximum set time is 1 hour for each, and the minimum set time is 10 seconds. If Pulse ON is set to 0 seconds and Pulse OFF has a value, the time for both will be set to 0 seconds when the cook cycle begins.
6. Enable Cook & Hold to keep the cabinet warm once cook time is finished. Enabling this mode will require a hold temperature within cook temperature limits (generally low to hold food before serving without overcooking). A timer shows how long Cook & Hold has been active. Hold temperature is not immediately reached and should be factored in. During Cook & Hold, temperature, blower speed, delay, and pulse times can all be changed.

Figure 23



NOTICE

All cooking parameters can be altered during the cycle by pressing the desired value or icon. Pressing and holding on the screen will highlight the parameter logo in yellow that will be selected after release. Each parameter, besides Blower Speed, will open the associated number pad to make numerical changes. Any changes made on the Cycle page will not be saved upon return to the Setup page.

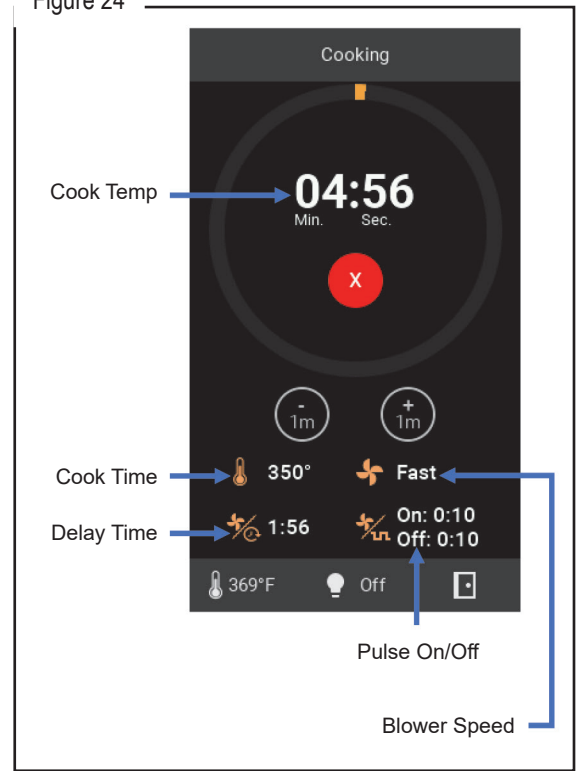
MANUAL COOKING CYCLE

1. **Cook Time** – Displays cook time in either MM:SS or HH:MM with a circular bar that grows as time progresses. Time can be altered at any point by either using the add/subtract 1m buttons to add or subtract 1 minute from the time, or else clicking on the time itself. The red X will cancel the cooking operation and send the user back to the Manual Cooking Setup page. At the end of the timer and alarm will sound.
2. **Cook Temperature** (°F/°C setup in configuration)
3. **Blower Speed** (Fast/Slow)
4. **Delay** time before cook
5. **Blower Pulse** (intermittent fan and heat source ON/OFF)

RECIPE COOKING

Recipes can be imported ahead of time using the service USB input (see Recipes in Configuration section) or can be manually created by pressing the New button. Recipes allow users to perform complex cooking operations with up to 5 different stages of cooking temperatures, blower speeds, delays, and/or pulses. This section will cover how to create a new recipe from the page and how to operate the recipe.

Figure 24



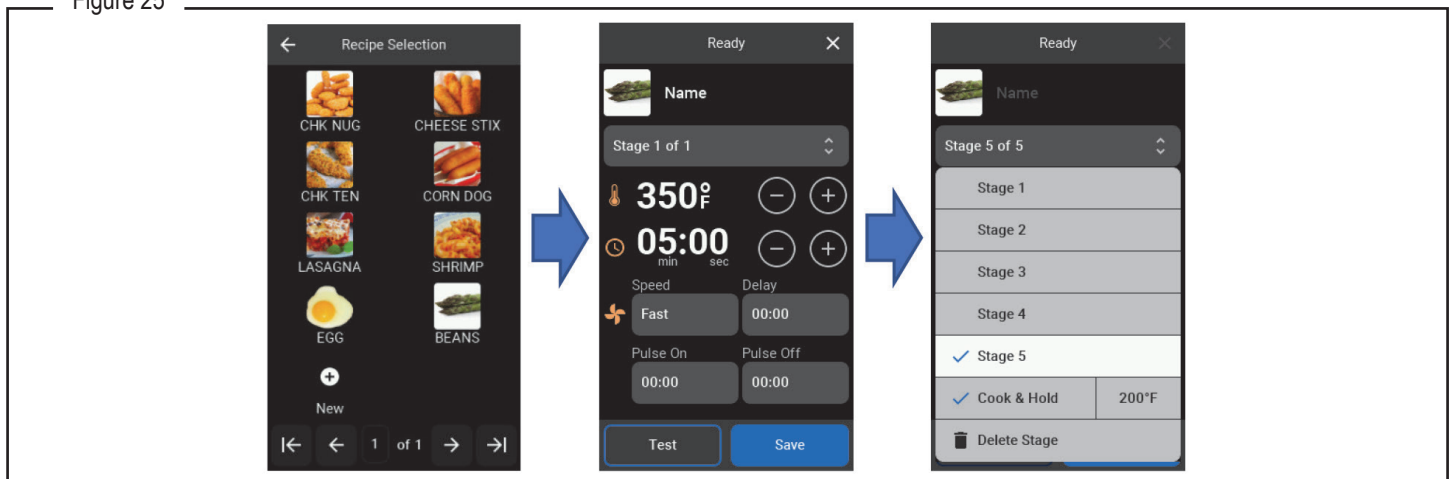
NOTICE

If editing has been locked, recipe creation and recipe manipulation is not possible from this screen. Manual Cooking is not affected by editing lockout.

NOTICE

While in Setup the unit blower and heat source will turn off.

Figure 25



NEW RECIPE SETUP

1. Click on New icon to create a new recipe. If New icon is not present, select the next page until it appears.
2. Click on the picture icon in the top left and choose from the list of icons to represent the new recipe item. Click the back button and write the name of the recipe in Name. Hit enter when done.

3. Choose the parameters for Stage 1 just as in Manual Cooking Setup.
4. Press Test to run the recipe to ensure the recipe is accurate if necessary.
5. If finished, press the Save button. Otherwise, press the Stage drop-down menu to add more stages. If the Save button is not pressed a prompt will pop up asking to save changes when exiting the setup page.
6. Press Add Stage to add another stage for setup.

NOTICE

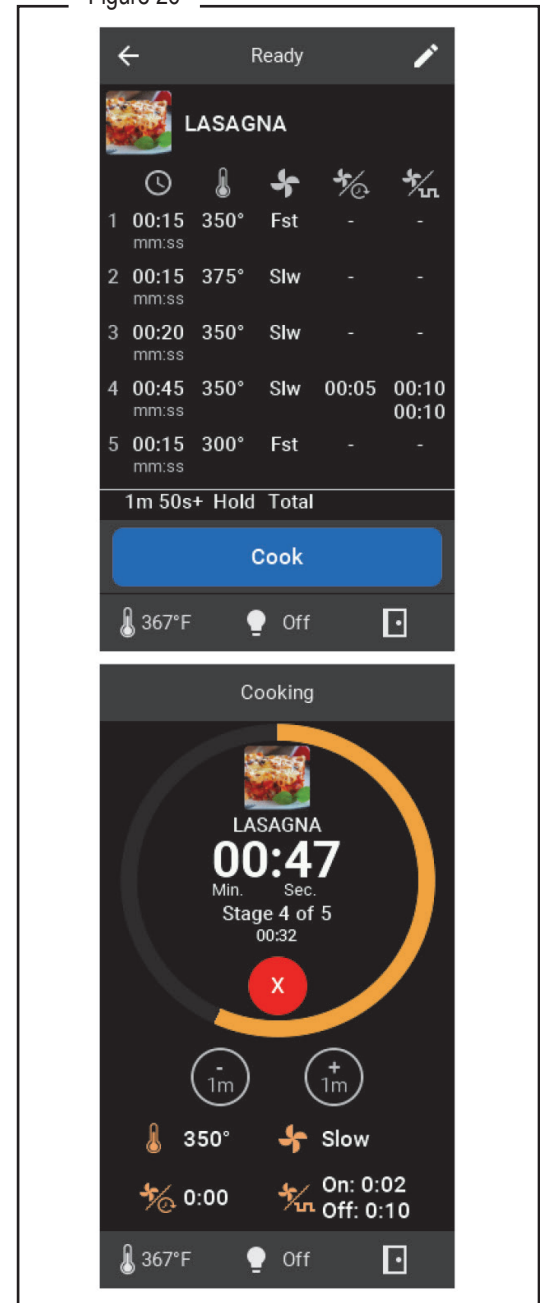
After the recipe has been created, returning to the recipe from the selection menu allows the user to edit the recipe unless this option has been locked. Clicking on the Stage drop-down menu while editing will reveal the Delete Recipe button.

7. Repeat steps 2-5 for up to 5 stages. A cook and hold can be added at the end of the recipe without it counting as one of the stages.

RECIPE RUN

1. Select Recipe from the Cooking Mode page.
2. Select the desired recipe from the list in the selection menu.
3. All stages will be previewed showing the time of each stage, temperature, blower speed, any delays, any pulse times, and the total cook time.
4. If the temperature is too low the top ribbon will read Preheating and Cook button will not be available until reaching the cooking temperature. If the temperature is too hot the top ribbon will read Too Hot and the Cook button will not be available until the internal temperature cools to the cook temperature.
5. After pressing Cook, the run page appears like Manual Cooking Cycle and can be altered in the same way unless locked. The cook time will show the total time while the stage number and time remaining for that stage will appear below.

Figure 26



RACK COOKING

Rack Cooking is used to cook recipes of similar cooking temperature and fan speed (Rack Group) simultaneously. Recipes need to be created ahead of time to make Rack Groups. Similar recipe cooking temperature is defined within the limits of the Group Temp Allowance temperature added to the cook temperature of the first item in the group (see example). Recipes that have multiple stages cannot be included in Rack Groups. See Settings in Configuration to change the Group Temp Allowance.

Example: With a Group Temp Allowance of 10 °F, a recipe that cooks at 350 °F can be grouped with a recipe that cooks at 340 °F and/or a recipe that cooks at 360 °F. If the first recipe chosen though is 340 °F cook temperature, then the 360 °F recipe will not appear during group creation.

RACK SETUP

1. Choose the edit button in the top right corner.
2. A New square will appear on the screen in the next available space on the final Group Selection page. Once identified press the square.
3. Enter desired group name and press the blue arrow button to accept.
4. Selecting a recipe from the next page will show the cook temperature and fan speed as well as all other similar recipes (Figure A). Pressing each different recipe will highlight them with a green box. If only one recipe is selected, pressing the highlighted box will return all available recipes. If two items are selected, deselecting the first recipe chosen will change the group parameters to the new “first” selection and may reveal more similar recipes (see written example above and Figure B). When more than two selections are made, deselecting the first recipe selection does not change the group similarity parameters (Figure C).

Figure 27

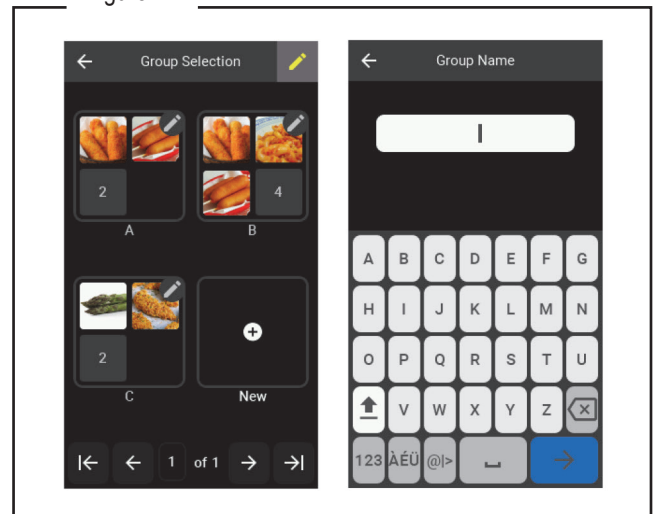
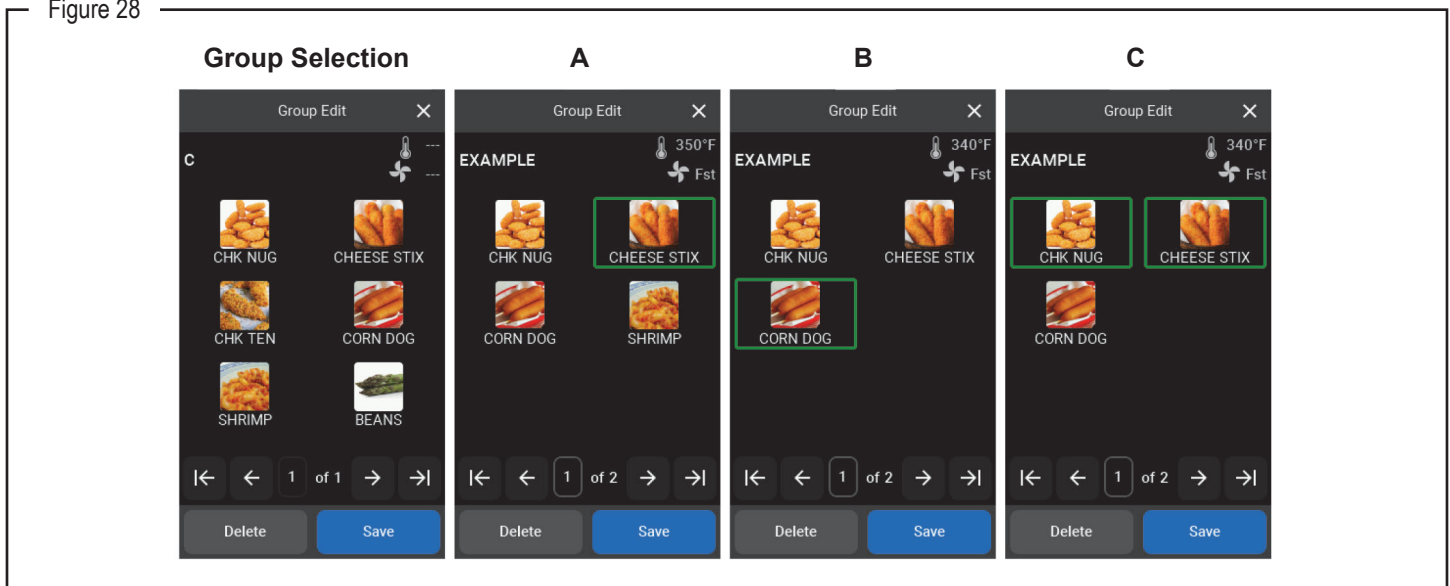


Figure 28



5. Once all desired recipes are chosen, press the save button.
6. The rack can be deleted at any time during creation or editing.
7. The group image will show the first three recipe icons with the total number of group recipes available numerically represented in the last space.

RACK RUN

1. Select Rack from the Cooking Mode page.
2. Select the recipe group from the Group Selection page.
3. If internal temperature is lower than the group temperature the top ribbon will read Preheating and if above, it will read Too Hot.
4. After reaching the correct internal temperature, the blower speed will be adjusted to the group speed.
5. The group will show Not Assigned spaces initially. To add recipes, choose the top right 9 square button. This will show all available recipes for this group as defined during creation in the selection menu or imported prior.
6. Choose a recipe and it will return to the previous page.
7. By pressing on a rack space, the icon will be attached to that space and show a timer, additional time button, and start button. Empty racks will remain empty until a recipe is placed in that space.

Figure 29

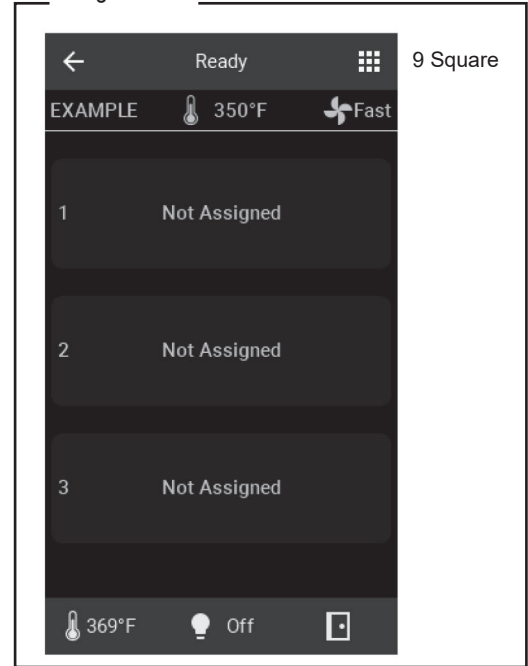
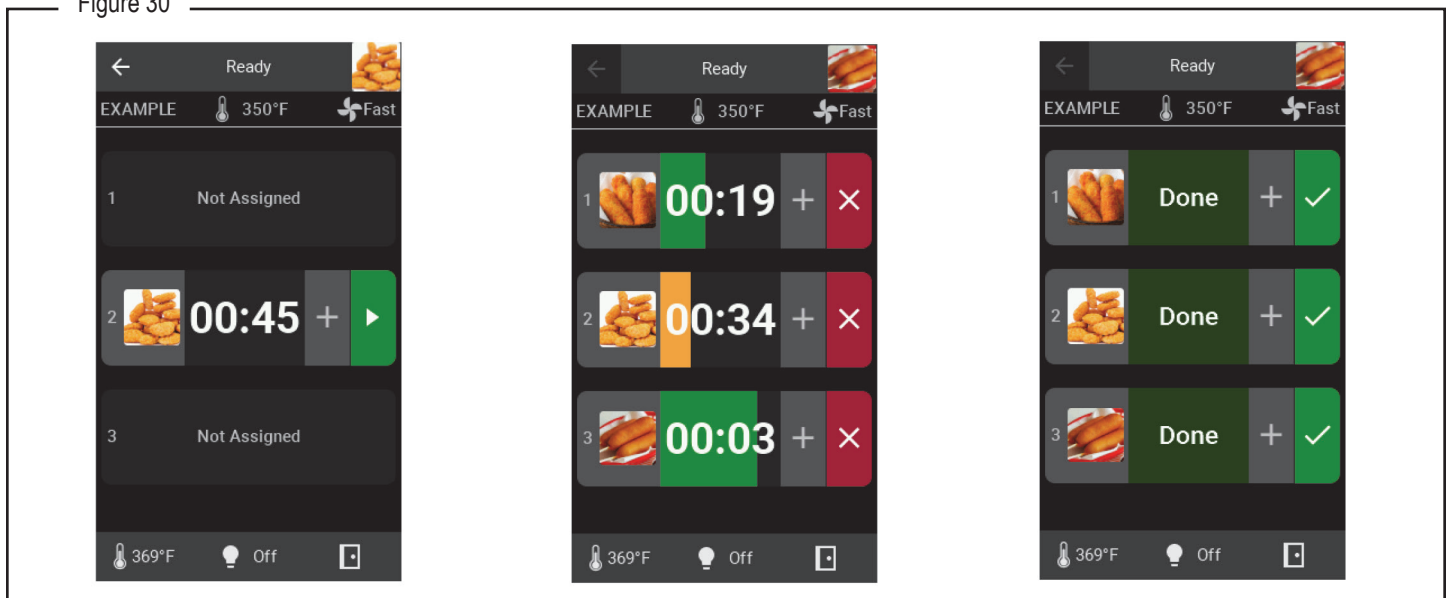


Figure 30



8. Choosing the start button will start the recipe and time can be added in one-minute increments. A progress bar depicts the time left. The bar starts as an amber indicator and changes to green at 20 seconds.
9. When finished, the progress bar will blink alternatively a lighter and darker green and say DONE. Press the green check mark to stop and reset the recipe. Pressing the check mark will also allow access to exit Rack Group which is not accessible with running and/or completed recipes.
10. Pressing the red X during the run will also stop the recipe and reset the time back to the programmed cook time.
11. Repeat steps 5-7 to fill racks with different recipes. The recipe icon in the top right shows which recipe is in the queue to add to racks. Pressing it allows the selection of the other recipes. Recipes are overwritten when the rack is chosen with a different recipe. Racks that are currently cooking or completed cannot be overwritten until reset.
12. Returning to the Rack Group Selection page will clear all racks.

CONFIGURATION

SERVICE ONLY USB ACCESS

The access to the USB port to import/export recipes, update the software versions and add Icons is located on the back of the control panel. Remove the two screws securing the control panel and pull out. Underneath the digital display you will find the USB port. If importing files, make sure that the unit is off before inserting the USB drive, and then turn on. There will be a slight delay compared to normal operation and the file(s) will automatically load. Created Icons must be bitmap file type. Recipes will need to be created on the touchscreen before export.

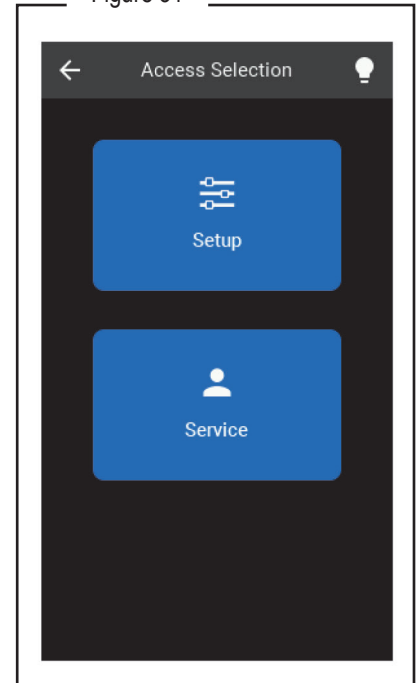
SETTINGS

1. **Back Button** – Returns to the previous screen.
2. **Setup** – Passcode-protected parameter configurator. Manager passcode allows owners to change limited unit variables.
3. **Service** – Passcode protected unit health and I/O test panel with current input readings.

NOTICE

As in normal operation, the blower speed must be activated before turning on the heat. The door may be open or closed to function.

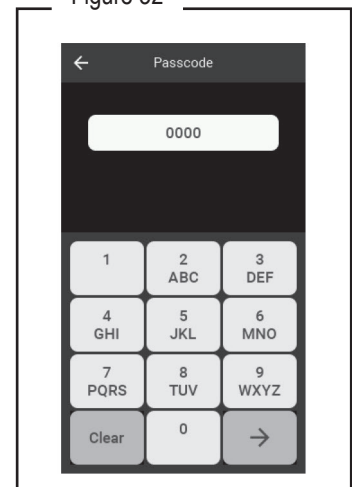
Figure 31



NUMBER PAD

- Entering a new value will start from the right and move left.
- Continuing to enter new numbers will shift the furthest left characters out.
- Press the bottom right arrow button to enter the value
- Clear all values back to 0000 with the bottom left clear button

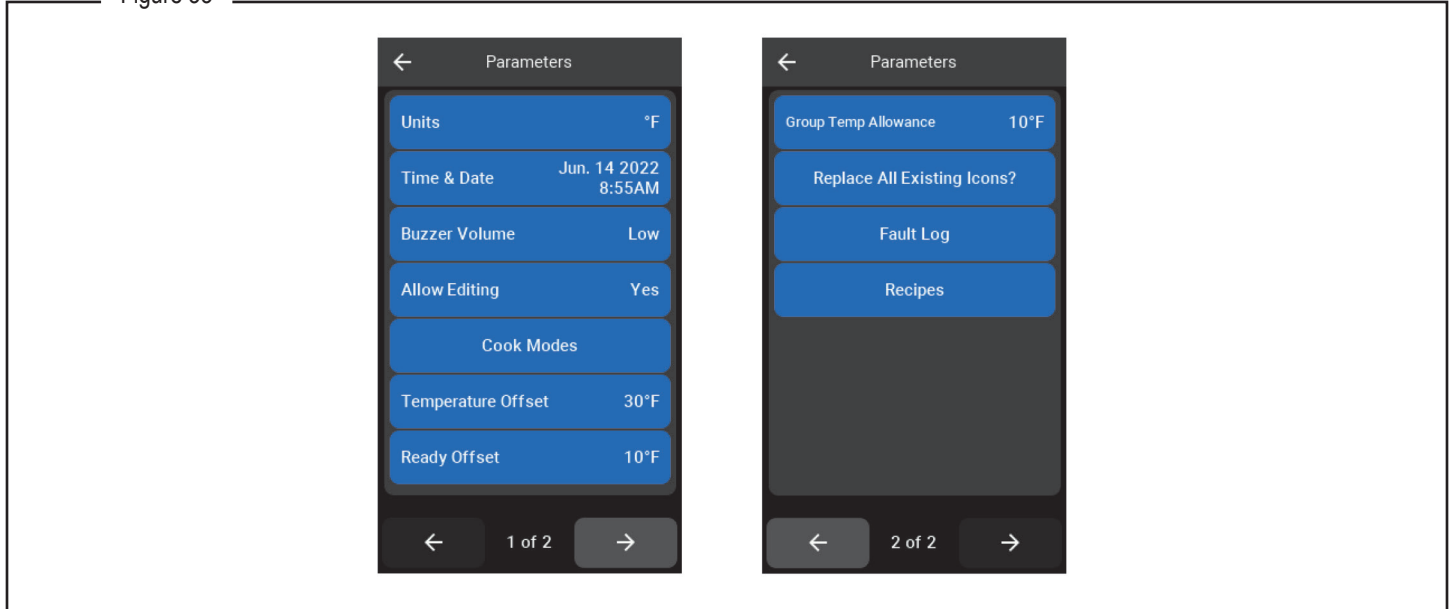
Figure 32



SETUP

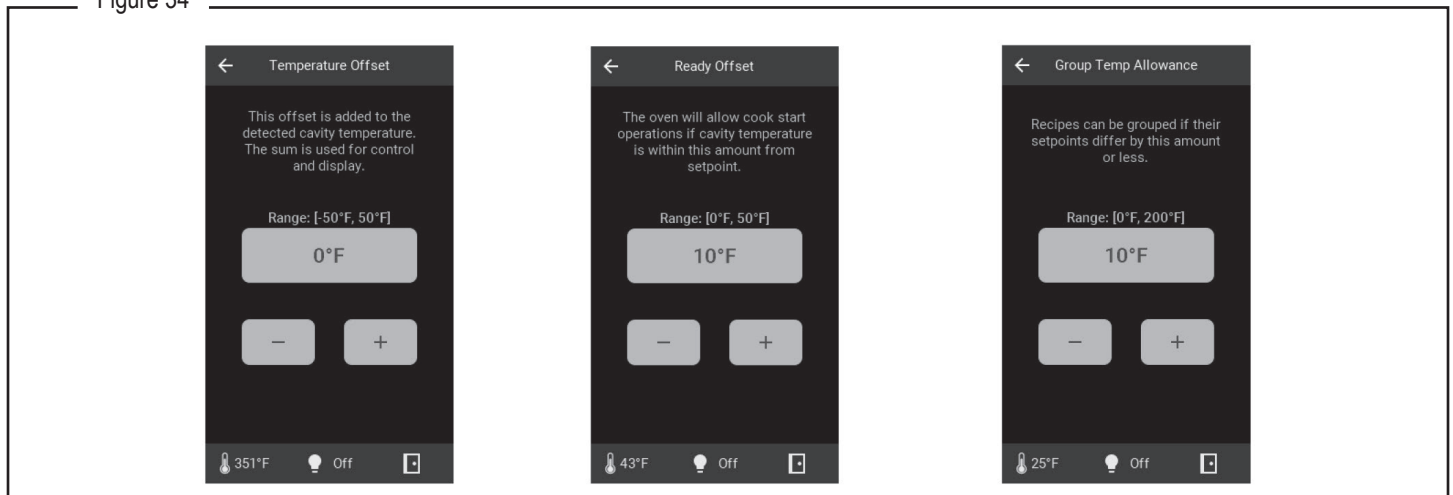
Enter manager provided code to enter the Setup Parameters page.

Figure 33



1. **Units** – Toggles between °F and °C
2. **Time & Date** – Used to record faults
3. **Buzzer Volume** – Toggle between High, Medium, and Low
4. **Allow Editing** – Toggle between Yes, Passcode, and No. This setting allows editing recipes and groups. Selecting Passcode will require manager code to edit while selecting No will remove the edit button from pages.
5. **Cook Modes** – Chooses which cooking modes will be active on the Cooking Mode page.
6. **Ready Offset** – The oven will allow cook start operations if cavity temperature is within the offset value from the cook setpoint.
7. **Group Temp Allowance** – Recipes can be grouped if their setpoints differ by allowance value or less.

Figure 34



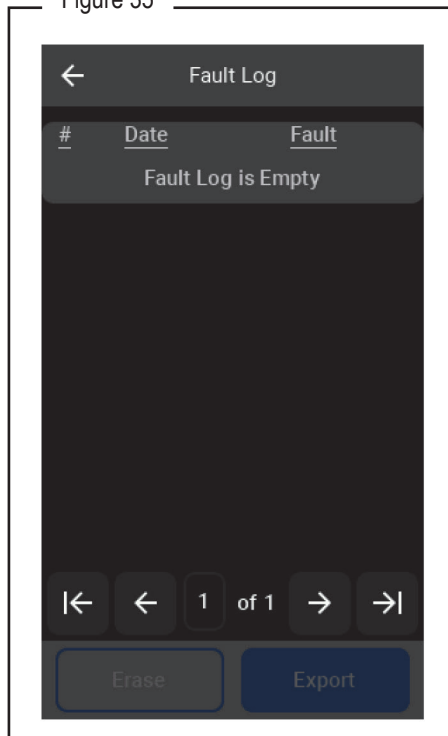
8. **Replace All Existing Icons?** – Deletes current icons for recipes and uploads new ones if USB is inserted into USB slot.

- Fault Log** – Displays all faults that have occurred along with the date and time they occurred until cleared. When a temperature warning is active the only options are to Turn Off the unit or go into Cool Down mode. The warning is only available if the blower or heat source is already on, otherwise, a ribbon with Cavity/Controls Too Hot is visible and does not allow activation of any cooking modes. The message will go away when the Temperature falls below 630°F. Probe warnings activate related message ribbon and do not allow cooking modes until the problem is fixed.

NOTICE

If the Turn Off option from pop up is selected but the main power switch is still engaged the unit will simply reset and return to the main screen.

Figure 35



MESSAGE	DESCRIPTION
Open Probe	Averaged ADC readings indicate that the RTD is open
Shorted Probe	Averaged ADC readings indicate that the RTD is shorted
Cavity Too Hot	Averaged cavity temperature reading is 650 °F or higher. Temperature must fall below 630 °F to clear the fault.
Controls Too Hot	Averaged control cavity temperature reading is 176 °F or higher. The Temperature must fall below 166 °F to clear the fault. This measurement is measured internally on the microcontroller.

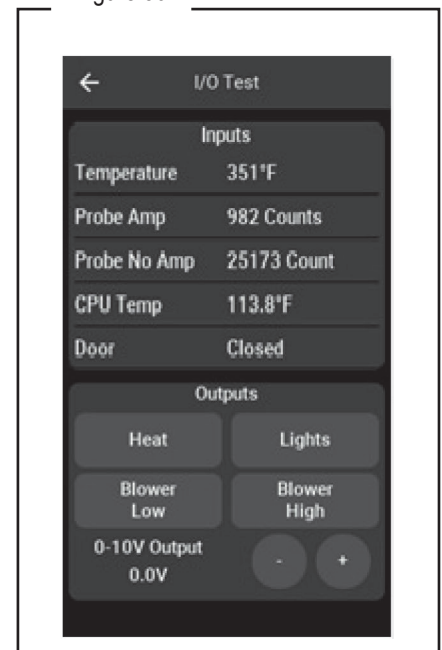
- Recipes** – Allows Import and Export from USB to keep and manage recipes. Another option is to delete all recipes from unit. Deleting all recipes will also delete them from Rack Groups.

SERVICE

Service Screen supplies current input values and allows service agents to test outputs.

- Temperature** – RTD measured cavity temperature
- Probe Amp** – Used to determine open or shorted temperature probes
- Probe No Amp** – Used to determine open or shorted temperature probes
- CPU Temp** – Temperature of the display circuit board
- Door** – Open or closed
- Heat source**, blower and lights can all be toggled (the fan must be on for the heat to be active).
- 0-10V Output** – Not in use.

Figure 36



COOKING HINTS

In a standard (non-convection) oven, the air is relatively still and an insulating layer of moisture surrounds the cooking food product. In a convection oven, the fan-blown circulating air strips away this insulating layer allowing the heat to penetrate faster for quicker baking and roasting. Hence, in a convection oven cooking procedures and techniques may require some modification for successful results. As a general rule, the cooking time will be shorter and the cooking temperature will be 25 °F to 75 °F lower than those called for in recipes for a standard oven.

TIME & TEMPERATURE

Time and temperature are important. The “Guide to Times and Temperatures” later in this section is a starting point. The actual best cooking time and temperature will depend on such factors as the size of the load and mixture of the recipe (particularly moisture). Once an appropriate time and temperature has been established for a particular product and load, you will find the result of succeeding loads to be similar.

OVERLOADING

Do NOT overload the oven. The size of the load that can be cooked satisfactorily depends largely on the particular product. As a rule, five racks can be successfully used for shallow cakes, cookies, pies, etc. For deeper cakes (such as angel food), use only three racks because of the size of the pan and the space required for rising. For hamburger patties, fish sticks, cheese sandwiches, etc., a full complement of racks and pans is usually satisfactory.

HELPFUL SUGGESTIONS

Here are some suggestions that will assist in getting the best possible performance from a convection oven:

- Pre-heat the oven thoroughly before use.
- When re-thermalizing frozen products, pre-heat the oven to 50 °F higher than the planned cooking temperature. After loading, reduce the temperature setting to the appropriate cooking temperature.
- Space the racks and pans as evenly as possible to allow air circulation.
- Center the load on the racks to allow for proper air circulation around the sides. Do not cover the racks completely with pans.
- Do not use a deep pan for shallow cakes or cookies, etc. Air circulation across the surface of the product is essential.

WARNING

THE USE OF ALUMINUM FOIL CAN CAUSE HEAT DISTRIBUTION PROBLEMS IN OVENS. EXTREME CARE MUST BE USED WHEN PLACING ALUMINUM FOIL IN THE OVEN TO ENSURE THAT IT DOES NOT BLOCK OR CHANGE THE AIR FLOW. THE USE OF ALUMINUM FOIL MAY VOID THE PRODUCT WARRANTY IF ITS USE IS ASCERTAINED TO BE A PROBLEM.

HOLDING FOOD BEFORE SERVING

Any food item prepared in steam table pans can be held until being served by setting the Hold thermostat to 160°F. Examples include stuffed pork chops, oysters Rockefeller, and any vegetable entree.

COOKING PROBLEMS AND SOLUTIONS

If the.....	then...
Cakes are dark on the sides and not done in the center...	lower oven temperature
Cake edges are too brown...	reduce number of pans or lower oven temperature.
Cakes have a light outer color...	raise temperature.
Cakes settle slightly in the center...	bake longer or raise oven temperature slightly. Do not open doors except to load or unload product..
Cakes ripple...	do not overload pans or use batter that is too thin.
Cakes are too coarse...	lower oven temperature.
Pies have uneven color...	reduce number of pies per rack or eliminate use of baking pans
Brown sugar topping or meringue blows off...	after oven is preheated, turn off oven and put product in oven until topping sets, then turn oven back on..
Rolls have uneven color...	reduce number or size of pans.
Meats are browned and not done in center...	lower oven temperature and roast longer..
Meats are well done and not browned...	raise temperature. Limit amount of moisture.
Meats develop hard crust...	reduce temperature or place pan of water in oven.
Excessive meat shrinkage occurs...	lower oven temperature..

GUIDE TO TIMES AND TEMPERATURES

As a guide, set oven temperatures 25°F to 75°F lower than called for in recipes for non-convection ovens, (i.e., range or deck ovens).

Time and temperature will vary depending on load, mix, size, portion, initial temperature of food, and other factors. Use the following chart as a starting point to develop your cooking techniques. Rack loading and position may affect results. Experimentation may be necessary to suit individual requirements.

	Cooking Time	Temperature	Number of Racks
Meat and Fish			
Top Round, 18-20 lbs. (medium)	5 hours	225 °F	1
Prime Ribs (rare)	4 hours	225 °F	1
Burger Patties, 4 oz.	10 hours	350 °F	5
Fish Cakes	10-12 min.	350 °F	5
Turkey, 10-12 lbs.	3 hr. 20 min.	225 °F	1



	Cooking Time	Temperature	Number of Racks
Baked Goods			
Bread, 2 lb. loaf	35 min.	375 °F	3
Biscuits	5-10 min.	350 °F	5
Cornbread.	18 min.	400 °F	5
French Bread	10 min.	375 °F	5
Sheet Cake	18-20 min.	300 °F	5
Cream Puffs	20 min.	325 °F	5
Brown & Serve Rolls	6 min.	400 °F	5
Ginger Bread	18 min.	300 °F	5
Yeast Rolls, sheet pan	16-18 min.	325 °F	5
Pineapple Upside Down Cake	25-30 min.	300 °F	5
Apple Turnovers	15-18 min.	325 °F	5
Fruit Cobbler	22-25 min.	350 °F	5
Brownies	15 min.	350 °F	5
Danish Pastry	12 min.	325 °F	5
Pie Shells	12 min.	350 °F	5
Fresh Fruit Pies	25-30 min.	350 °F	5
Pumpkin Pies	25-30 min.	275 °F	5
Fresh Apple Pies	35 min.	375 °F	5
Frozen Berry Pies	40 min.	375 °F	5
Frozen Fruit Pies	45 min.	375 °F	5
Potatoes			5
Baked Potatoes, 10 oz.	50-55 min.	450 °F	5
Baked Potatoes, 6-8 oz.	40-45 min.	450 °F	5
Scalloped Potatoes	35 min.	325 °F	5
Miscellaneous			
Macaroni and Cheese	30 min.	350 °F	5
Stuffed Peppers	18 min.	350 °F	5
Toasted Cheese Sandwiches	8 min.	375 °F	5

CLEANING

Southbend equipment is sturdily constructed of the best materials and is designed to provide durable service when treated with ordinary care. To expect the best performance, your equipment must be maintained in good condition and cleaned daily. Naturally, the periods for this care and cleaning depend on the amount and degree of usage.

Following daily and periodic maintenance procedures will enhance the long life of your equipment. Climatic conditions (such as salt air) may require more thorough and frequent cleaning or the life of the equipment could be adversely affected.

The oven interior is finished with a porcelain enamel coating unless stainless steel option is selected. "Spillovers" should be cleaned from the interior bottom surface as soon as possible to prevent carbonizing and a burnt-on condition. Grease or any residue should be cleaned from interior surfaces as soon as it accumulates.

WARNING

FOR YOUR SAFETY, DISCONNECT THE POWER SUPPLY TO THE APPLIANCE BEFORE CLEANING.

WHEN CLEANING THE BLOWER WHEEL, BE SURE TO HAVE THE POWER SWITCH IN THE "OFF" POSITION.

CAUTION

ONLY USE A COMMERCIAL NON CAUSTIC CLEANER ON THE INTERIOR TO PREVENT POTENTIAL DAMAGE

DAILY CLEANING

1. Turn the power switch to OFF and allow the oven to cool.
2. Remove the oven-interior racks and rack guide frames. (The rack guide frames are readily removable by merely raising to disengage them from their sockets.) Wash the racks and rack guides in a sink with mild detergent and warm water. Dry them thoroughly with a clean cloth.
3. Look to see if any foreign matter has accumulated on the blades of the blower wheel (which will reduce air circulation). If necessary, remove the right-side lining of the oven, which is secured by thumbscrews near each corner. Use a stiff brush to remove accumulations from the blower blades, then wash with soap and water.
4. Wash the interior surfaces with mild detergent and warm water. Rinse with clean water, and dry thoroughly with a clean cloth. For stubborn accumulations of grease and carbon buildup, use a commercial Non-Caustic Oven and Grill Cleaner. Use of cleaners not specified as Non-Caustic may damage the unit.
5. Clean the control panel with warm water and mild soap. Never use cleaning solvents with a hydrocarbon base.
6. Wipe the other exterior surfaces with a clean damp cloth. If the exterior surfaces require more thorough cleaning, see "Cleaning Stainless Steel Surfaces" on the next page.
7. Return the rack guides and racks to their appropriate locations inside the oven.
8. LEAVE THE DOOR OPEN AT NIGHT AFTER CLEANING. This allows the oven to dry thoroughly after cleaning and also prolongs the life of the door gasket.

MONTHLY CLEANING

SEMI-ANNUAL CLEANING

At least twice a year have your Southbend Authorized Service Agency or another qualified service technician clean and adjust the unit for maximum performance.

At least twice a year the oven's venting system should be examined and cleaned.

CLEANING STAINLESS STEEL SURFACES

To remove normal dirt, grease and the product residue from stainless steel that operates at LOW temperature, use ordinary soap and water (with or without detergent) applied with a sponge or cloth. Dry thoroughly with a clean cloth.

To remove grease and food splatter, or condensed vapors, that have BAKED on the equipment, apply cleanser to a damp cloth or sponge and rub cleanser on the metal in the direction of the polishing lines. Rubbing cleanser, as gently as possible, in the direction of the polished lines will not mar the finish of the stainless steel. NEVER RUB WITH A CIRCULAR MOTION. Soil and burnt deposits that do not respond to the above procedure can usually be removed by rubbing the surface with SCOTCH-BRITE scouring pads or STAINLESS scouring pads. DO NOT USE ORDINARY STEEL WOOL, as any particles left on the surface will rust and further spoil the appearance of the finish. NEVER USE A WIRE BRUSH, STEEL SCOURING PADS (EXCEPT STAINLESS), SCRAPER, FILE OR OTHER STEEL TOOLS. Surfaces that are marred collect dirt more rapidly and become more difficult to clean. Marring also increases the possibility of corrosive attack. Refinishing may then be required.

To remove heat tint – Darkened areas sometimes appear on stainless steel surfaces where the area has been subjected to excessive heat. These darkened areas are caused by the thickening of the protective surface of the stainless steel and are not harmful. Heat tint can normally be removed by the foregoing, but tint that does not respond to this procedure calls for a vigorous scouring in the direction of the polish lines, using SCOTCH-BRITE scouring pads or a STAINLESS scouring pad in combination with a powered cleanser. Heat tint action may be lessened by not applying, or by reducing heat to equipment during slack periods.

WARNING

To avoid the risk of accidental electric shock, disconnect the unit from the power supply before moving the unit.

WARNING

If disconnection of the restraint (page 12) is necessary to move the appliance for cleaning, etc., reconnect it when the appliance is moved to its originally installed position.

CAUTION

DO NOT USE ordinary steel wool as any particles left on the surface will rust.

NEVER USE a wire brush, steel or abrasive scouring pad (except stainless), scraper, file or other steel tools. Surfaces which are marred collect dirt more rapidly and become more difficult to clean. Marring also increases the possibility of corrosive attack.

DO NOT clean door gasket with a high chlorine solution or bleach.

NEVER use any corrosive cleaner. Use only cleaners approved for stainless steel.

WARNING

Improper cleaning can result in expensive repairs or electrical shock. Do not get water on electrical controls or motors.

ADJUSTMENTS

WARNING

ADJUSTMENTS AND SERVICE WORK MAY BE PERFORMED ONLY BY A QUALIFIED TECHNICIAN WHO IS EXPERIENCED IN, AND KNOWLEDGEABLE WITH, THE OPERATION OF COMMERCIAL COOKING EQUIPMENT. HOWEVER, TO ASSURE YOUR CONFIDENCE, CONTACT YOUR AUTHORIZED SERVICE AGENCY FOR RELIABLE SERVICE, DEPENDABLE ADVICE, GENUINE FACTORY PARTS AND ANY OTHER ASSISTANCE.

NOTICE

Warranty will be void and the manufacturer is relieved of all liability if service work is performed by other than a qualified technician, or if other than genuine Southbend replacement parts are installed.

LUBRICATION

The door chains and sprockets have been lubricated at the factory with high temperature “Never Seeze” lubricant. After each six months of usage, lubricate the door chains and sprockets with the same type of lubricant.

Motor lubrication information can be found on permanent label located on motor.

Casters are provided with a Zerk fitting for proper lubrication when required

TEMPERATURE CONTROLLER (Standard-Control Models Only)

The calibration of the temperature controller should not be changed until sufficient experience with cooking results has definitely proved that the temperature controller is not maintaining proper oven temperatures. Before any recalibration is attempted, the oven temperature should be checked by the following procedure:

1. Remove all trays and pans from the oven.
2. Place a thermocouple or a reliable mercury oven-type thermometer at the center of the middle rack.
3. Turn the oven ON and set the temperature control knob to 400°F.
4. The amber “heat on” light will go out when the oven temperature is reached.
5. Allow three cycles for the temperature to stabilize.
6. Read the thermocouple or thermometer immediately after the light goes out for the third time, and again immediately after it comes on the next time.
7. If the average of these readings varies by more than 10°F from the dial setting, recalibrate by the following procedure.
Recalibration should be attempted only by a competent service technician.

Use the following procedure to recalibrate the oven:

1. Loosen the two set screws that secure the temperature-control knob to the temperature-control shaft.
2. Remove the knob from the shaft, being careful not to rotate the knob or shaft.
3. Replace the knob on the shaft so that the indicator mark on the knob points directly at the temperature that was measured at the center of the oven.
4. Re-check the oven calibration.

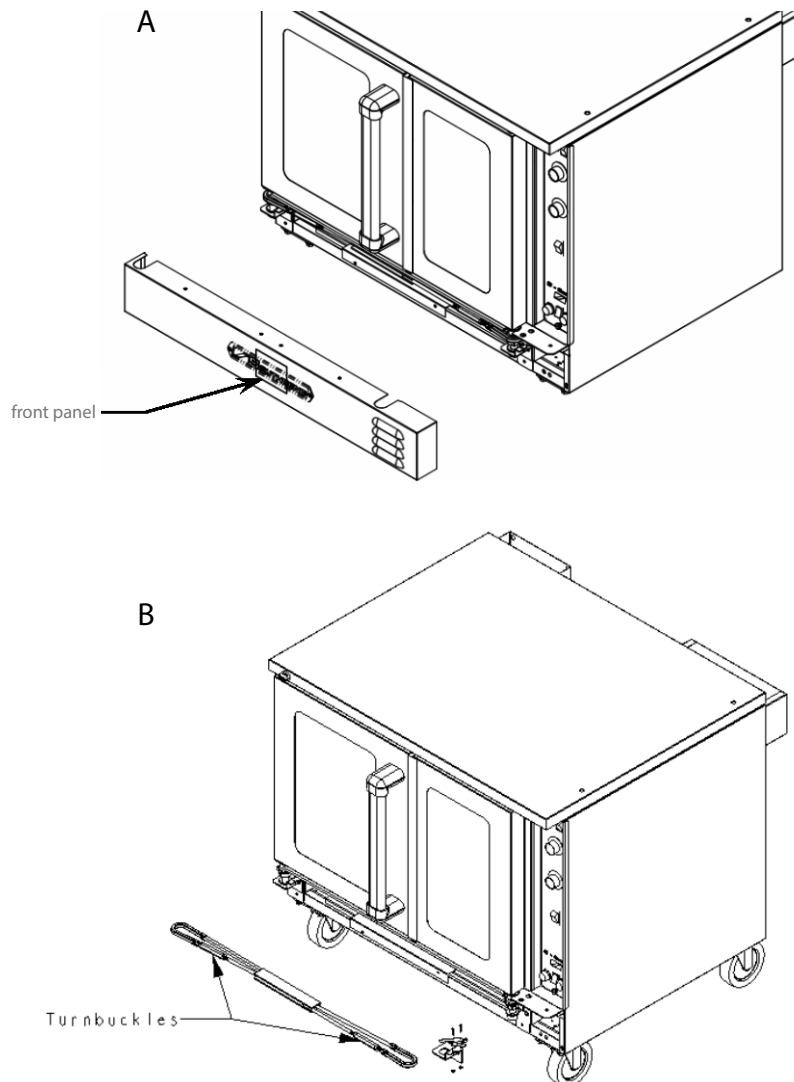
ADJUSTING DOOR CHAIN MECHANISM

The door chain mechanism causes the left and right doors to open and close together. To adjust the door chain mechanism, do the following:

1. Remove lower front panel that covers the door chain mechanism (shown below on A).
2. Close both doors.
3. Check the positioning of the chain on the sprockets. There should be five regular links and one master link visible on the front side of each chain. If not, open the turnbuckles and reposition the chain over the sprockets.
4. Adjust the turnbuckles so that the right door closes about 1/4" to 1/2" inch ahead of the left door. The left door should be pushed tight over the friction catch so both doors are completely closed against the frame.
5. Secure the turnbuckles by tightening their locknuts.

Figure 37

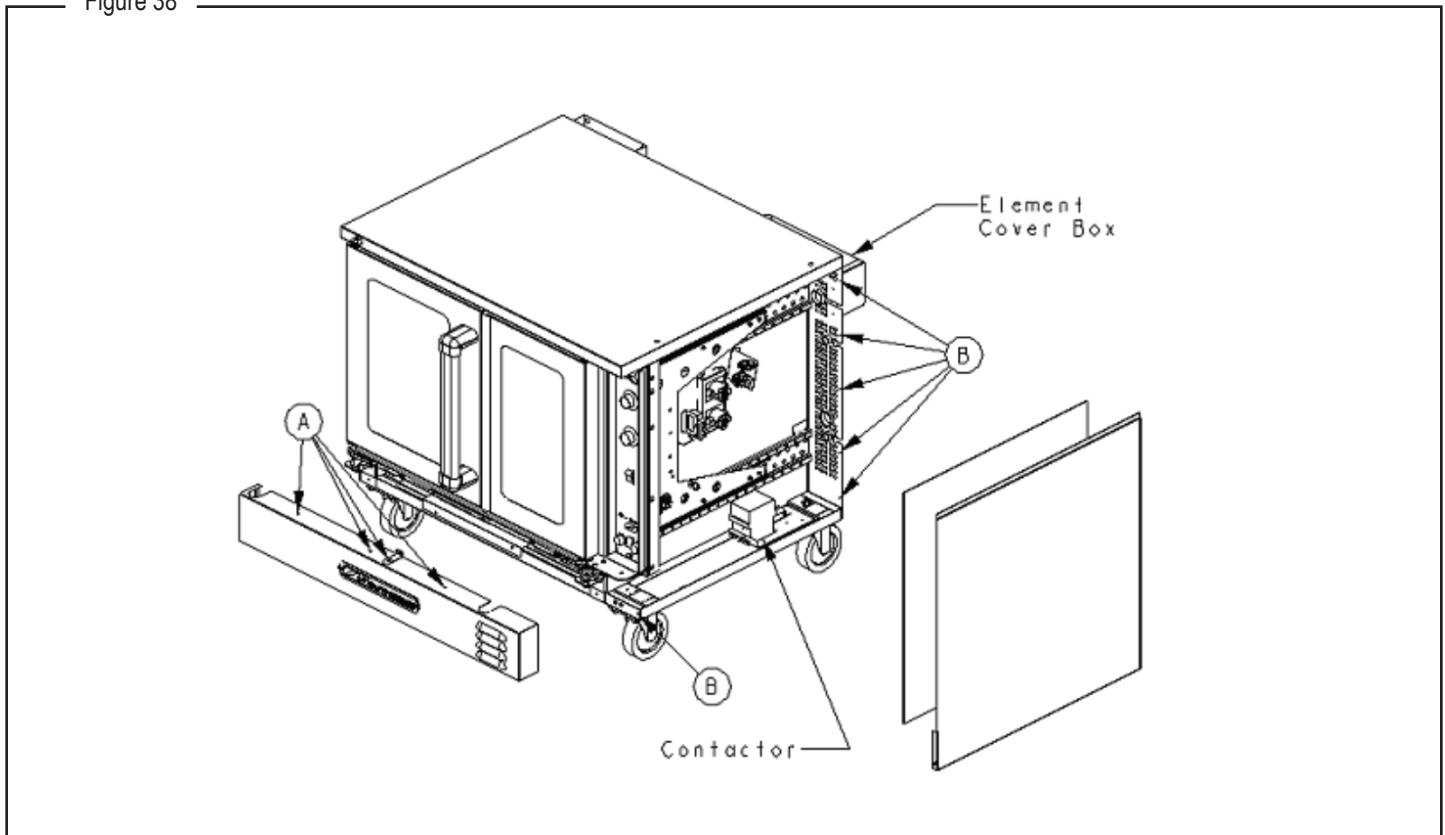
Door Chain Adjustment



CONVERSION FROM SINGLE-PHASE TO THREE-PHASE POWER (OR VICE VERSA)

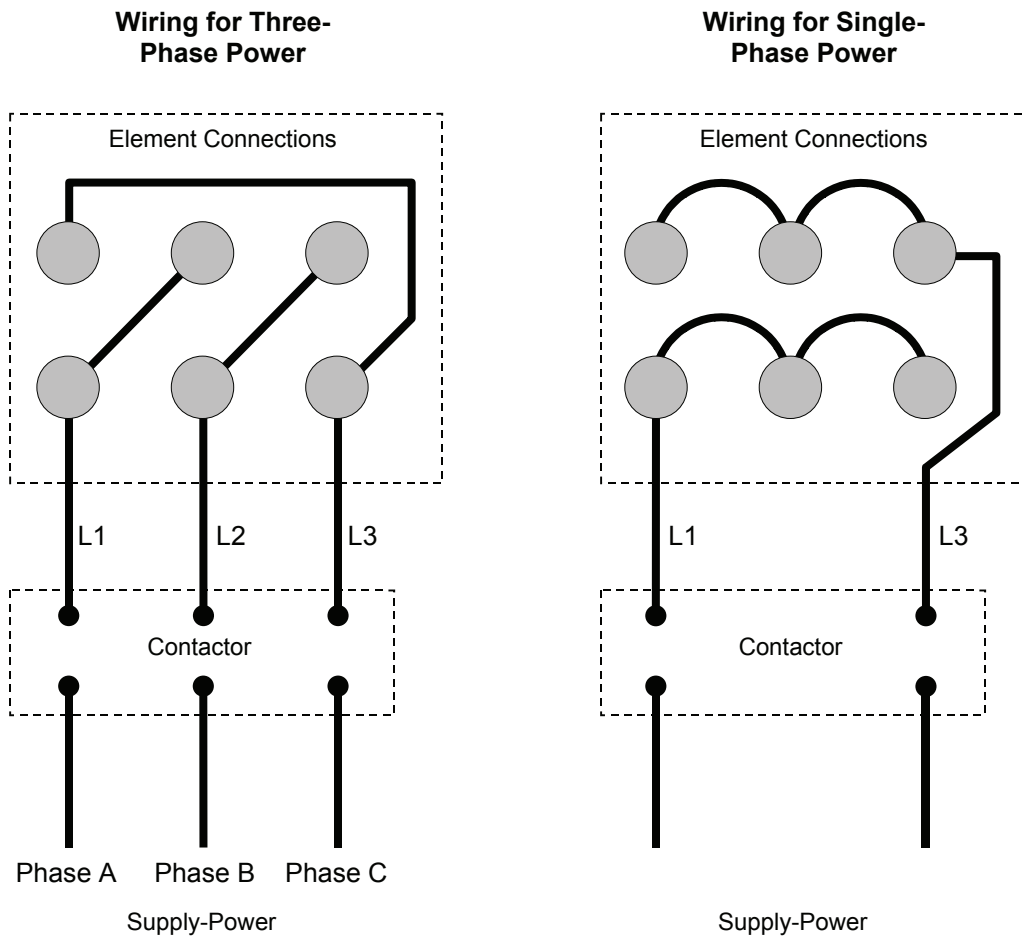
Ovens are shipped wired for either single-phase or three-phase power according to the original factory order. If the oven installation requires changing the type of power used by the oven, follow the procedure below. The following drawing shows the locations of items referred to in the procedure.

Figure 38



1. If the oven is connected to a power supply, DISCONNECT OVEN FROM POWER SUPPLY.
2. Remove the element-cover box from the back of the oven.
3. Locate and remove the four screws that secure the lower front panel (items "A" in the drawing above). Lift the panel and pull it forward to remove it, then set it aside.
4. Locate and remove the now-accessible screw that secures the lower front corner of the side panel.
5. Locate and remove the five screws that secure the back edge of the side panel to the oven (items "B" in the drawing above). Remove the side panel and insulation and set them aside.
6. Locate the wires going from the contactor to the elements. Tied to those wires will be an extra short or long wire that isn't currently in use. The size of this wire depends on how the unit was originally set up at the factory. (If you're changing the wiring for a 415V oven, check the wiring diagram for guidance during the conversion.)

Figure 39



Wiring is different for 415V ovens; refer to corresponding wiring diagram (beginning page 46).

7. Locate the wires running from the contactor to the elements. If converting from three-phase to single-phase power, remove the wire L2 (as shown in the above drawing) and go on to the next step. If converting from single-phase to three-phase power, use the longer wire found in the previous step to make the additional connection (L2) shown in the above drawing. (Again, if you are changing the phase-wiring of a 415V oven, refer to the corresponding wiring diagram for conversion.)
8. Rewire the connections to the elements (located on the back of the oven) according to the diagram at the top of this page. If converting from three-phase to single-phase, use the wire that you saved in Step 2 to make one of the Connections. (Once more, if you are changing the phase-wiring of a 415V oven, refer to the corresponding wiring diagram for conversion.)
9. Carefully compare the new wiring connections at the elements, contactor, and supply-power terminal block to the wiring diagram for the oven. (See page 44 for the location of the wiring diagram on the oven, or page 46 for wiring diagrams printed in this manual). Verify that all connections are tight.
10. Reattach the element-cover box, right-side panel, and lower-front panel.
11. Connect the oven to the power supply according to the procedure. Note that the supply-power connections depend on whether the supply power is three-phase or single-phase, and so will be different than they were before the conversion.

TROUBLESHOOTING

WARNING

ADJUSTMENTS AND SERVICE WORK MAY BE PERFORMED ONLY BY A QUALIFIED TECHNICIAN WHO IS EXPERIENCED IN, AND KNOWLEDGEABLE WITH, THE OPERATION OF COMMERCIAL COOKING EQUIPMENT. HOWEVER, TO ASSURE YOUR CONFIDENCE, CONTACT YOUR AUTHORIZED SERVICE AGENCY FOR RELIABLE SERVICE, DEPENDABLE ADVICE, GENUINE FACTORY PARTS AND ANY OTHER ASSISTANCE.

NOTICE

The warranty will be void and the manufacturer is relieved of all liability if service work is performed by other than a qualified technician, or if other than genuine Southbend replacement parts are installed.

When any difficulty arises it is always a good idea to check that the oven has been connected to the type of voltage for which it was manufactured. The serial plate is located on the inside of the lower front panel. It will list the type of voltage for which the unit was manufactured. In addition, a wiring diagram is attached to the side of the fold-down control panel, as well as reproduced in this manual beginning on page 46.

PERFORMANCE STANDARD

The typical time for the oven to heat from 75°F to 350°F is 7 to 8 minutes depending with the model. The heating elements should come on when the actual oven temperature drops to 10°F below the temperature setting.

TROUBLESHOOTING GUIDE

The left column of the following table lists symptoms that indicate a problem, while the center and right columns list the possible causes and appropriate corrective action. Note that the recommendations of this table assume that the wiring connections are good. When checking a component, always check the wiring attached to the component as well.

Symptom	Possible Cause	Check or Replace
Oven will not hold correct temperature.	Temperature probe not working.	Resistance across temperature probe leads at room temperature (70°F) should be approximately 1096 ohms.
	Temperature control not calling for heat.	When heat is required, there should be continuity between terminals 6 and 7 on temperature control. (standard control only)
	Inadequate or improper ventilation.	Check ventilation hood. Verify draw and make up air adjustment.
	Out of calibration.	Recalibrate temperature.
Blower motor will not come on.	No incoming electric power.	Check incoming power.
	Loose wire connections.	Check wire connections.
	Bad contactors.	Contactors pull in and supply power to motor. Verify contactors pulling in.
	Motor bad.	If power is being supplied but motor will not turn, replace motor.
	Shut down switch.	All power to the unit that comes through shut down switch. Check for continuity.

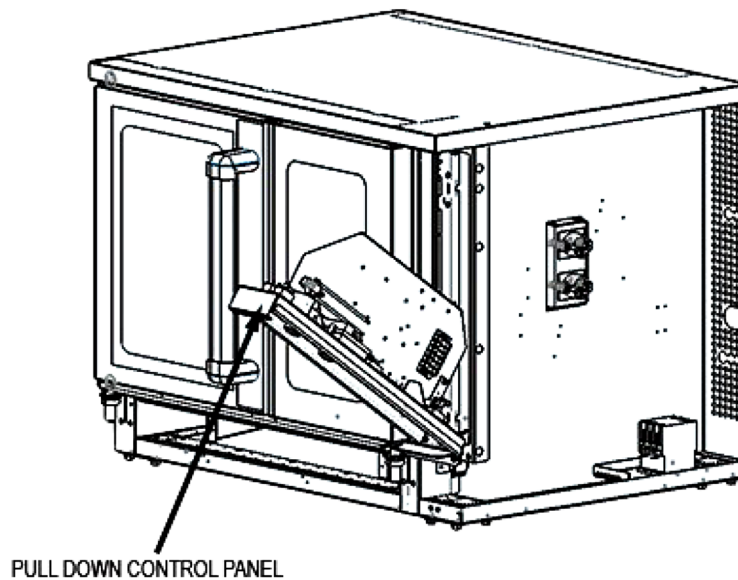
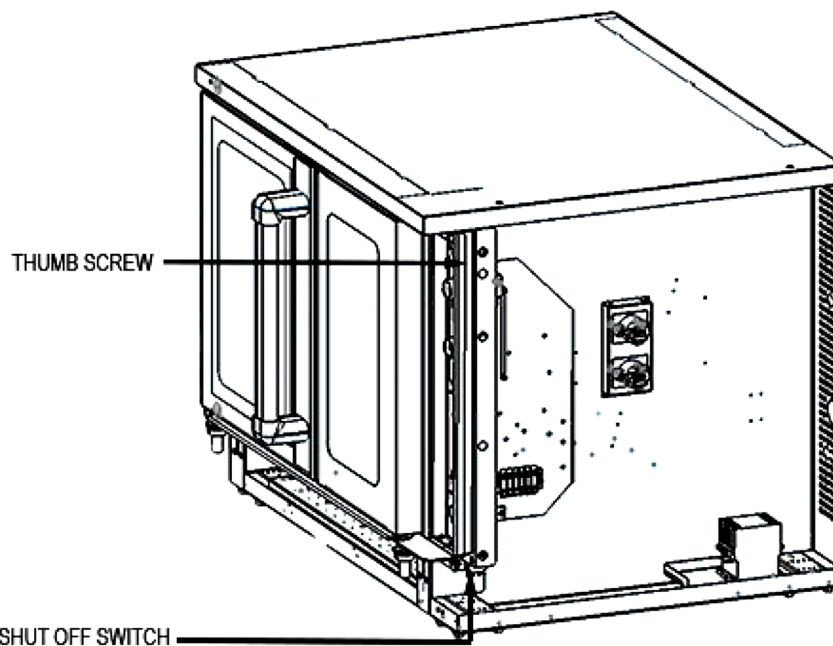
CONTROL PANEL ACCESS AND SHUT-OFF SWITCH

To access the control panel components, remove the thumbscrew located at the top of the control panel. Once removed, pull the control panel downward. A wiring diagram for the oven can be found on the side of the control panel assembly. When the control panel is lowered, power to the panel is automatically shut off by a safety switch located just inside the opening, beneath the control panel. To re-energize the controls for troubleshooting purposes, lift the white plunger on the shut-off switch.

To fully remove the control panel, disconnect the temperature probe wires and harness connectors before sliding the panel out sideways.

Figure 40

Accessing Control Panel Components



BLOWER WHEEL REPLACEMENT

To replace the blower wheel, do the following:

1. Remove racks and rack guides.
2. Remove the rear air baffle in front of the blower wheel.
3. Loosen the two square heads on the blower wheel hub.
4. Pull the blower wheel from motor shaft. If the blower wheel is difficult to pull off, use the puller disk (available from Southbend Technical Service Department as part number 1179100).
5. Install the blower wheel and torque it at 140inch/lbs.
6. Install the rear air baffel in the font of the blower wheel
7. Replace the rack and rack guides.

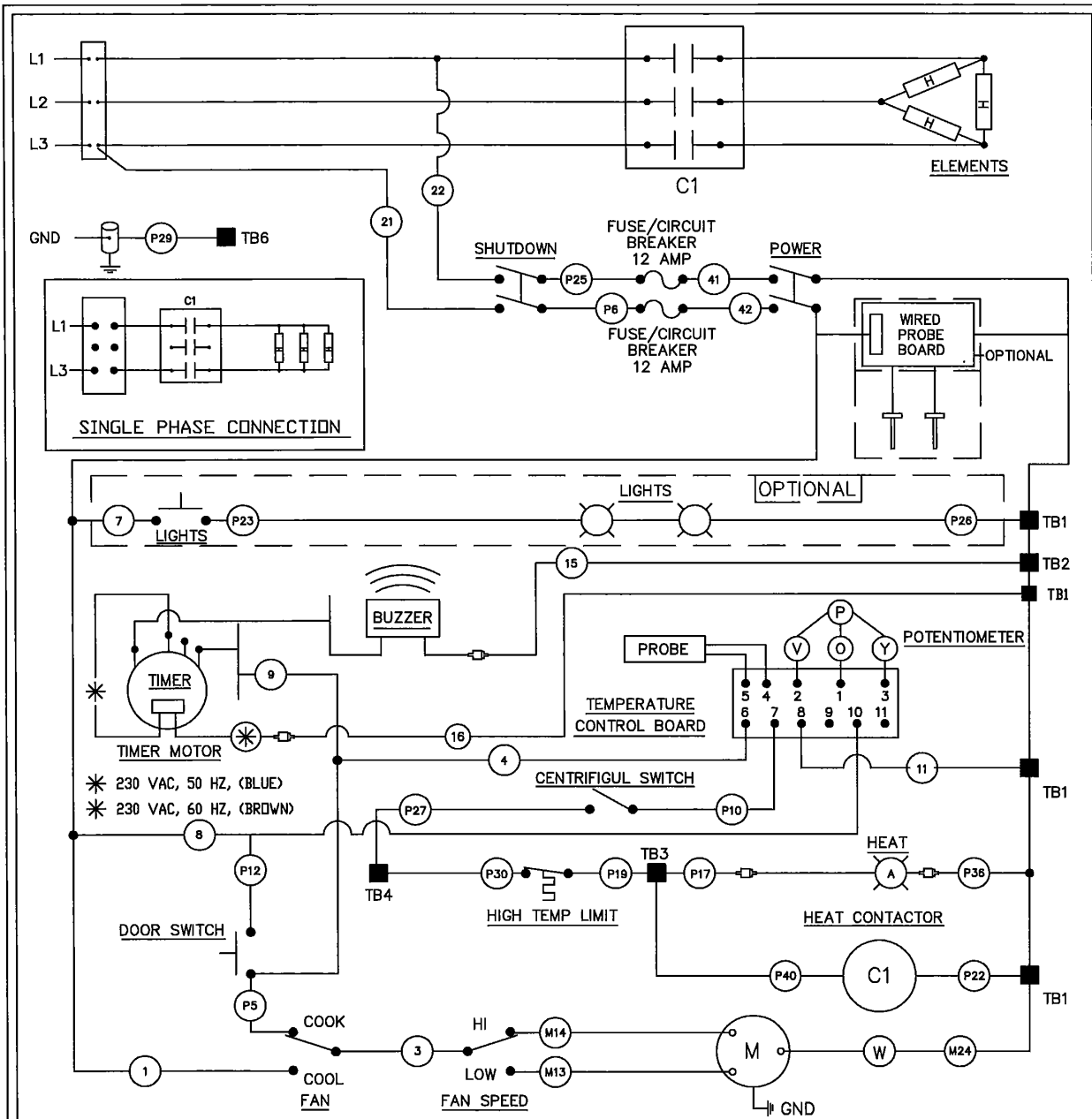
WIRING DIAGRAMS

A wiring diagram is located on the side of the control panel assembly (as shown on page 44). Wiring diagrams also appear on the following pages of this manual. Which wiring diagram is appropriate depends on the voltage and type of controls.

Index of Wiring Diagrams	
Page Number	Voltage and Type of Controls
46	208-240 Volt Models with Standard Controls
47	480 Volt Models with Standard Controls
48	415/240 Volt Models with Standard Controls
49	380/220 Volt Models with Standard Controls
50	208/240 Volt Electric Touchscreen Models
51	480 Volt Electric Touchscreen Models
52	415 Volt WYE Electric Touchscreen Models
53	380 Volt Electric Touchscreen Models

Wiring Diagram for 208-240 Volt Models with Standard Controls

Figure 41



PHASE LOADING AND LINE AMPERES AS SHOWN

	VOLTAGE	TOTAL KW	THREE PHASE LOADING KW PER PHASE			NOMINAL AMPERES PER LINE WIRE				MINIMUM SUPPLY WIRE (AWG) SIZE	
			L1-L2	L2-L3	L1-L3	THREE PHASE			THREE PHASE	SINGLE PHASE	
						L1	L2	L3			
HEATING ELEMENTS	240	11.0	3.67	3.67	3.67	26.5	26.5	26.5	45.9	8	6
	220	9.25	3.1	3.1	3.1	24.3	24.3	24.3	42.1	8	6
	208	11.0	3.67	3.67	3.67	30.6	30.6	30.6	52.9	8	4
HEATING ELEMENTS	240	7.5	2.5	2.5	2.5	18.1	18.1	18.1	31.3	10	8
	220	6.3	2.1	2.1	2.1	16.6	16.6	16.6	28.71	10	8
	208	7.5	2.5	2.5	2.5	20.9	20.9	20.9	36.1	8	8
MOTOR & CONTROL	240	0.9	0.0	0.0	0.9	3.8	0.0	3.8	3.8		
	220	0.9	0.0	0.0	0.9	4.1	0.0	4.1	4.1		
	208	0.9	0.0	0.0	0.9	4.3	0.0	4.3	4.3		

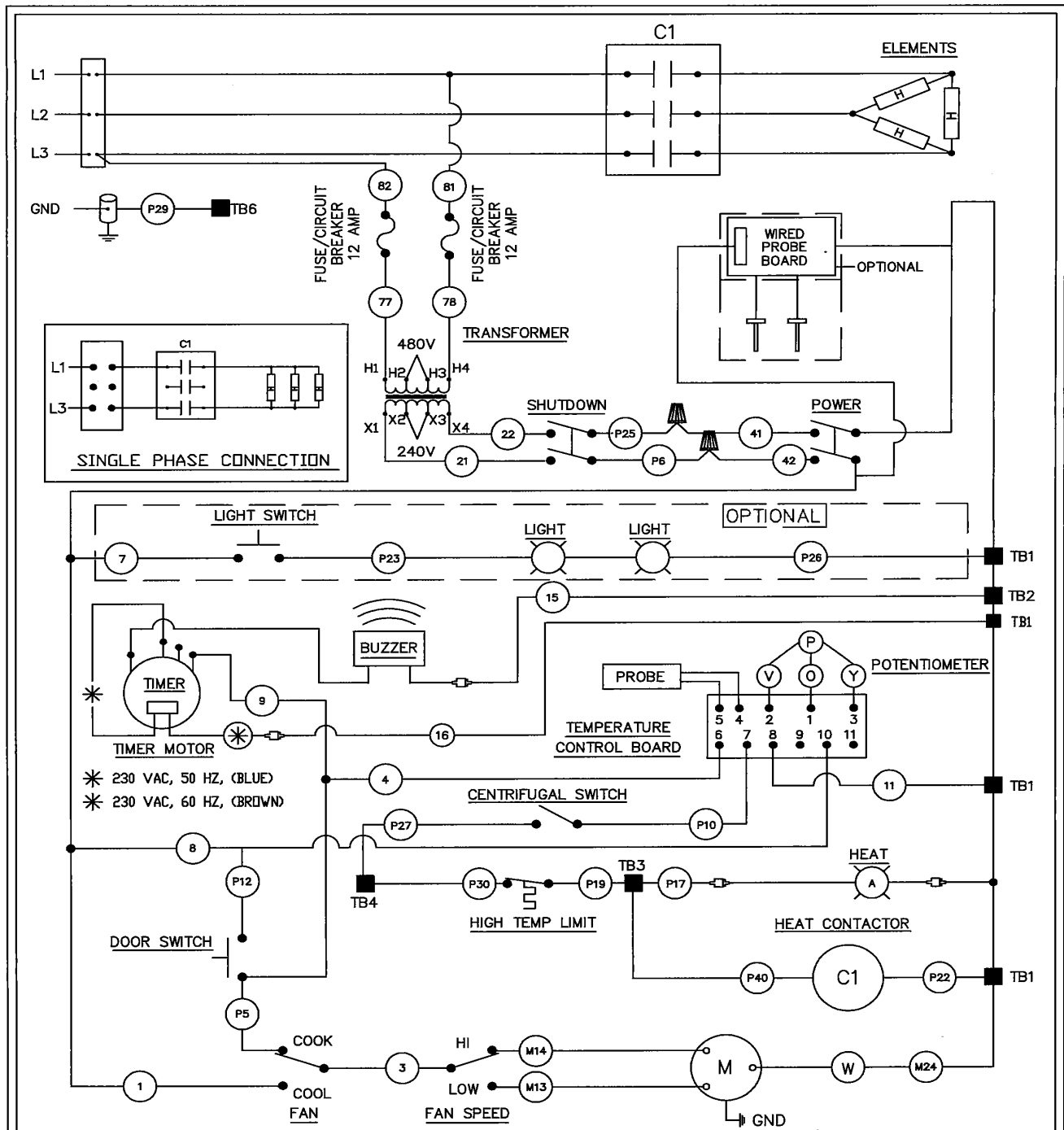
LEGEND

- F/M TERMINAL
- SPADE TERMINAL
- TERMINAL STRIP

SOUTHBEND SCHEMATIC	PLATINUM CONVECTION OVEN STD. 208-240V, 50/60HZ, 2 SPD, 1/2 HP	REV 3	P/N 1409008
---------------------	--	-------	-------------

Wiring Diagram for 480 Volt Models with Standard Controls

Figure 42



PHASE LOADING AND LINE AMPERES AS SHOWN

	VOLTAGE	TOTAL KW	THREE PHASE LOADING KW PER PHASE			NOMINAL AMPERES PER LINE WIRE			SINGLE WIRE TOTAL	MINIMUM SUPPLY WIRE (AWG) SIZE	
			L1-L2	L2-L3	L1-L3	THREE PHASE				THREE PHASE	SINGLE PHASE
			1-2	2-3	1-3	L1	L2	L3		12	10
HEATING ELEMENTS	480	11.0	3.67	3.67	3.67	13.3	13.3	13.3	23	12	10
HEATING ELEMENTS	480	7.5	2.5	2.5	2.5	9.1	9.1	9.1	15.7	12	10
MOTOR & CONTROL	480	0.9	0.0	0.0	0.9	2.2	0.0	2.2	2.2		

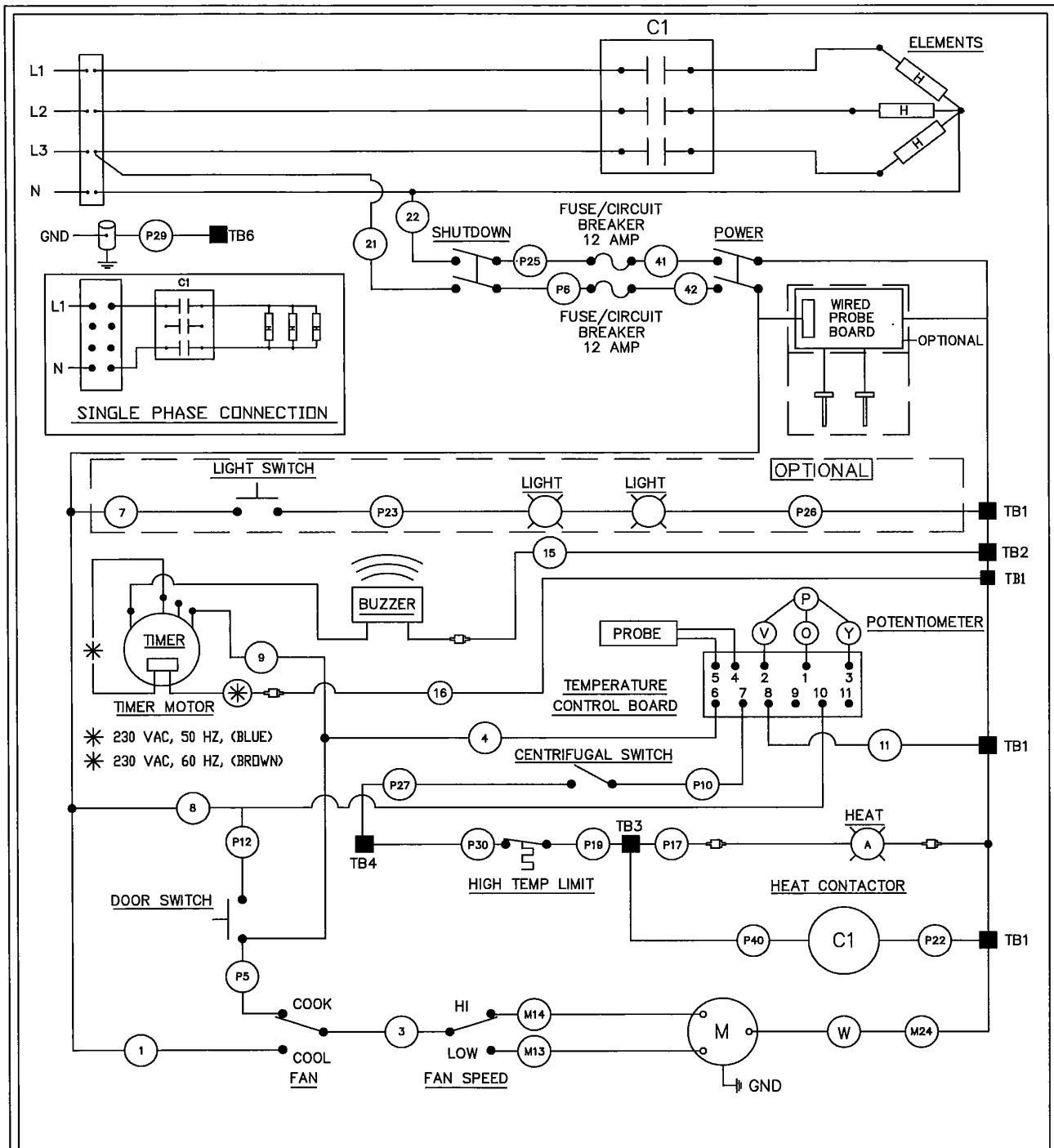
LEGEND

- F/M TERMINAL SPADE TERMINAL
- TERMINAL STRIP

<p>SOUTHBEND SCHEMATIC</p>	<p>PLATINUM CONVECTION OVEN ELEC 480V, 50/60HZ, 2 SPD, 1/2 HP</p>	<p>REV 3</p>	<p>P/N 1409011</p>
---------------------------------------	---	------------------	------------------------

Wiring Diagram for 415/240 Volt Models with Standard Controls

Figure 43

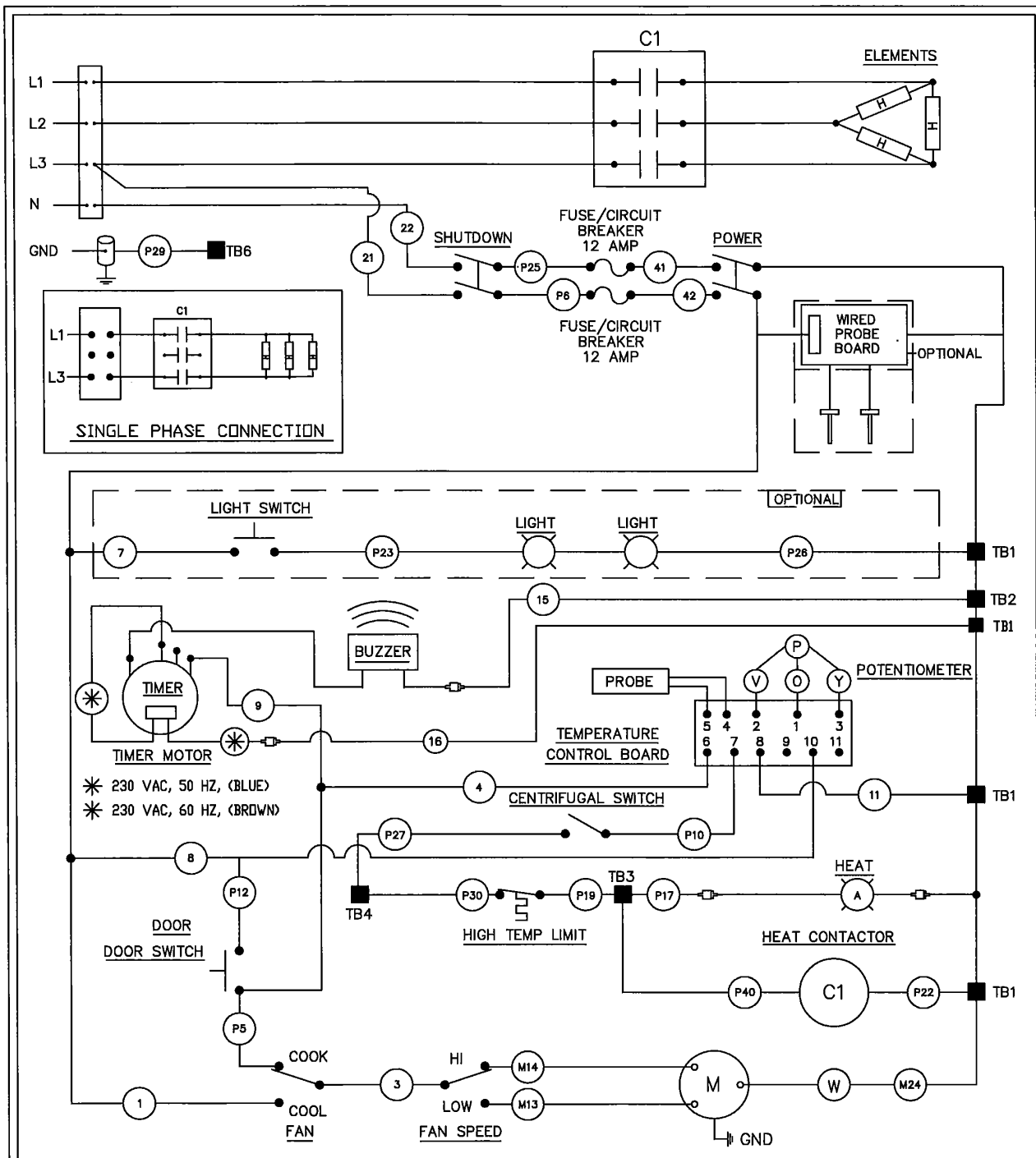


PHASE LOADING AND LINE AMPERES AS SHOWN										LEGEND				
	VOLTAGE	TOTAL KW	THREE PHASE LOADING KW PER PHASE			NOMINAL AMPERES PER LINE WIRE			MINIMUM SUPPLY WIRE (AWG) SIZE		F/M TERMINAL	SPADE TERMINAL	TERMINAL STRIP	
			L1-L2	L2-L3	L1-L3	THREE PHASE			SINGLE PHASE TOTAL	THREE PHASE				SINGLE PHASE
			L1-L2	L2-L3	L1-L3	L1	L2	L3						
HEATING ELEMENTS	415	11.0	3.67	3.67	3.67	15.4	15.4	15.4	45.9	12	6			
HEATING ELEMENTS	415	7.5	2.5	2.5	2.5	10.5	10.5	10.5	31.3	12	6			
MOTOR & CONTROL	415	0.9	0.0	0.0	0.9	0.0	0.0	3.8	3.8					

SOUTHBEND SCHEMATIC	PLATINUM CONVECTION OVEN ELEC 415/240V, 3Ø 4W, 50/60HZ, 2 SPD, 1/2 HP	REV 3	P/N 1409010
---------------------	--	-------	-------------

Wiring Diagram for 380/220 Volt Models with Standard Controls

Figure 44

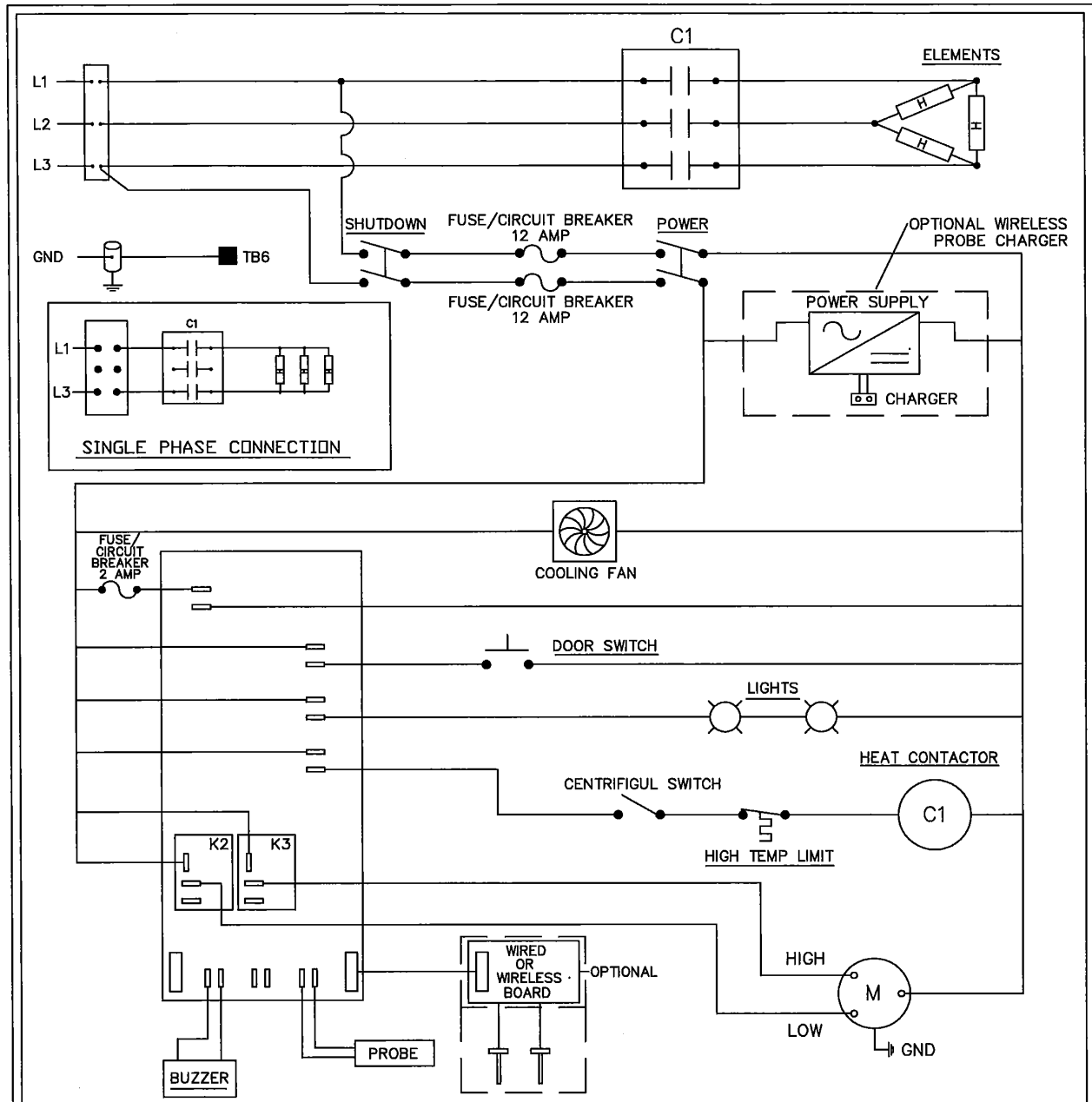


PHASE LOADING AND LINE AMPERES AS SHOWN										LEGEND	
	VOLTAGE	TOTAL KW	THREE PHASE LOADING KW PER PHASE			NOMINAL AMPERES PER LINE WIRE				MINIMUM SUPPLY WIRE (AWG) SIZE	
			L1-L2	L2-L3	L1-L3	THREE PHASE			SINGLE PHASE TOTAL	SINGLE PHASE	
HEATING ELEMENTS	380	11.0	3.67	3.67	3.67	16.8	16.8	16.8	29	12	B
HEATING ELEMENTS	380	7.5	2.5	2.5	2.5	11.4	11.4	11.4	19.8	12	B
MOTOR & CONTROL	380	0.9	0.0	0.0	0.9	0.0	0.0	4.1	4.1		

SOUTHBEND SCHEMATIC	PLATINUM CONVECTION OVEN ELEC 380/220V, 3ø 4W, 50/60HZ, 1/2 HP	REV	P/N
		3	1409009

Wiring Diagram for 208/240 Volt Electric Touchscreen Models

Figure 45



PHASE LOADING AND LINE AMPERES AS SHOWN

	VOLTAGE	TOTAL KW	THREE PHASE LOADING KW PER PHASE			NOMINAL AMPERES PER LINE WIRE				MINIMUM SUPPLY WIRE (AWG) SIZE	
			L1-L2	L2-L3	L1-L3	THREE PHASE			SINGLE PHASE TOTAL	THREE PHASE	SINGLE PHASE
						L1	L2	L3			
HEATING ELEMENTS	240	11.0	3.67	3.67	3.67	26.5	26.5	26.5	45.9	8	6
	220	9.25	3.1	3.1	3.1	24.3	24.3	24.3	42.1	8	6
	208	11.0	3.67	3.67	3.67	30.6	30.6	30.6	52.9	8	4
	240	7.5	2.5	2.5	2.5	18.1	18.1	18.1	31.3	10	8
	220	6.3	2.1	2.1	2.1	16.6	16.6	16.6	28.7	10	8
MOTOR & CONTROL	240	0.9	0.0	0.0	0.9	3.8	0.0	3.8	3.8		
	220	0.9	0.0	0.0	0.9	4.1	0.0	4.1	4.1		
	208	0.9	0.0	0.0	0.9	4.3	0.0	4.3	4.3		

- LEGEND**
- ◻ F/M TERMINAL
 - SPADE TERMINAL
 - TERMINAL STRIP

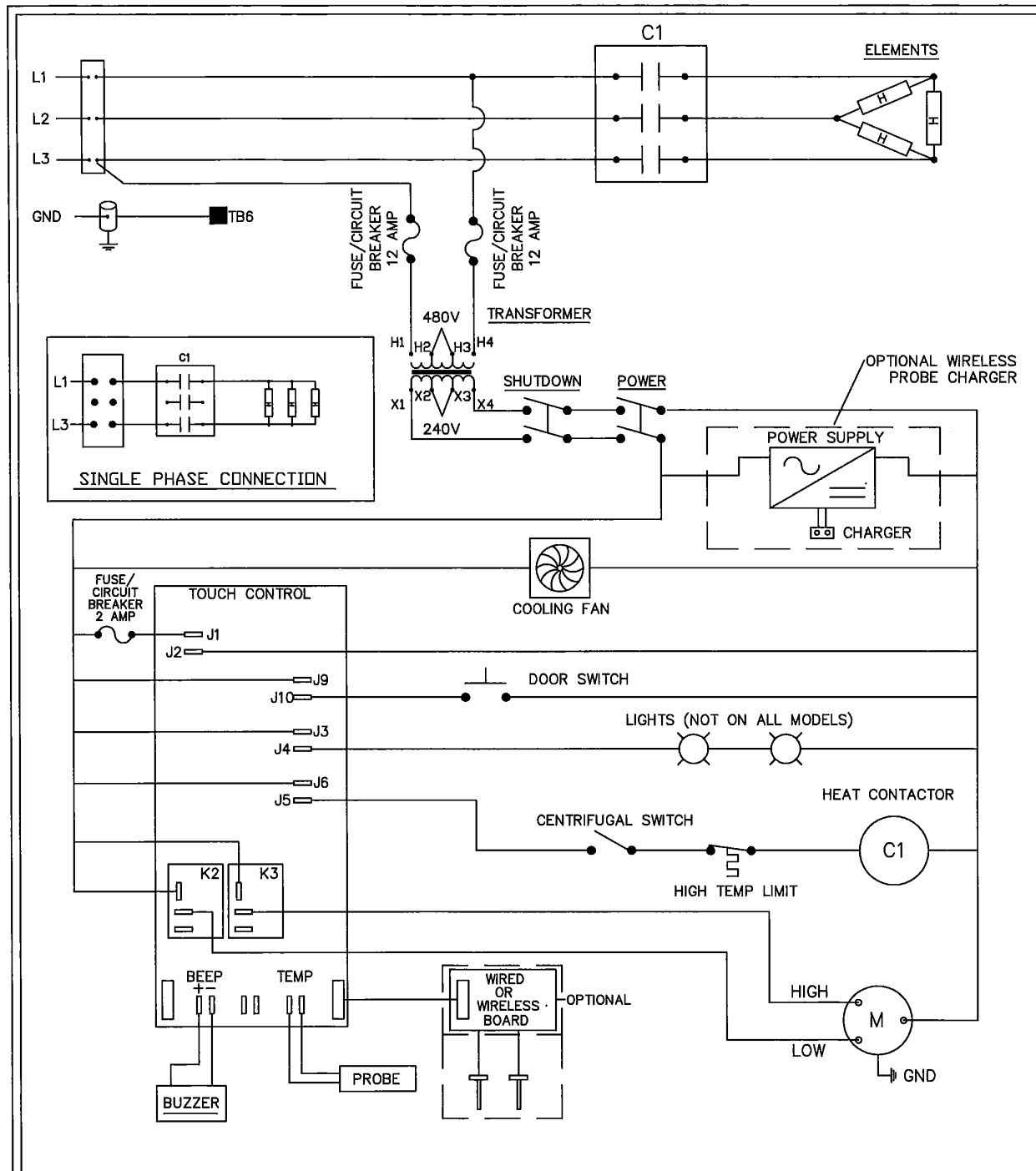
SOUTHBEND
WIRING DIAGRAM

SCHEMATIC, TOUCHSCREEN
208/240V ELEC

REV 4
P/N 1407915

Wiring Diagram for 480 Volt Electric Touchscreen Models

Figure 46



PHASE LOADING AND LINE AMPERES AS SHOWN

	VOLTAGE	TOTAL KW	THREE PHASE LOADING KW PER PHASE			NOMINAL AMPERES PER LINE WIRE				MINIMUM SUPPLY WIRE (AWG) SIZE		
			L1-L2	L2-L3	L1-L3	THREE PHASE			SINGLE PHASE TOTAL	THREE PHASE	SINGLE PHASE	
			L1	L2	L3	L1	L2	L3	12	10		
HEATING ELEMENTS	480	11.0	3.67	3.67	3.67	13.3	13.3	13.3	23	12	10	
MOTOR & CONTROL	480	0.9	0.0	0.0	0.9	2.2	0.0	2.2	2.2	12	10	

LEGEND

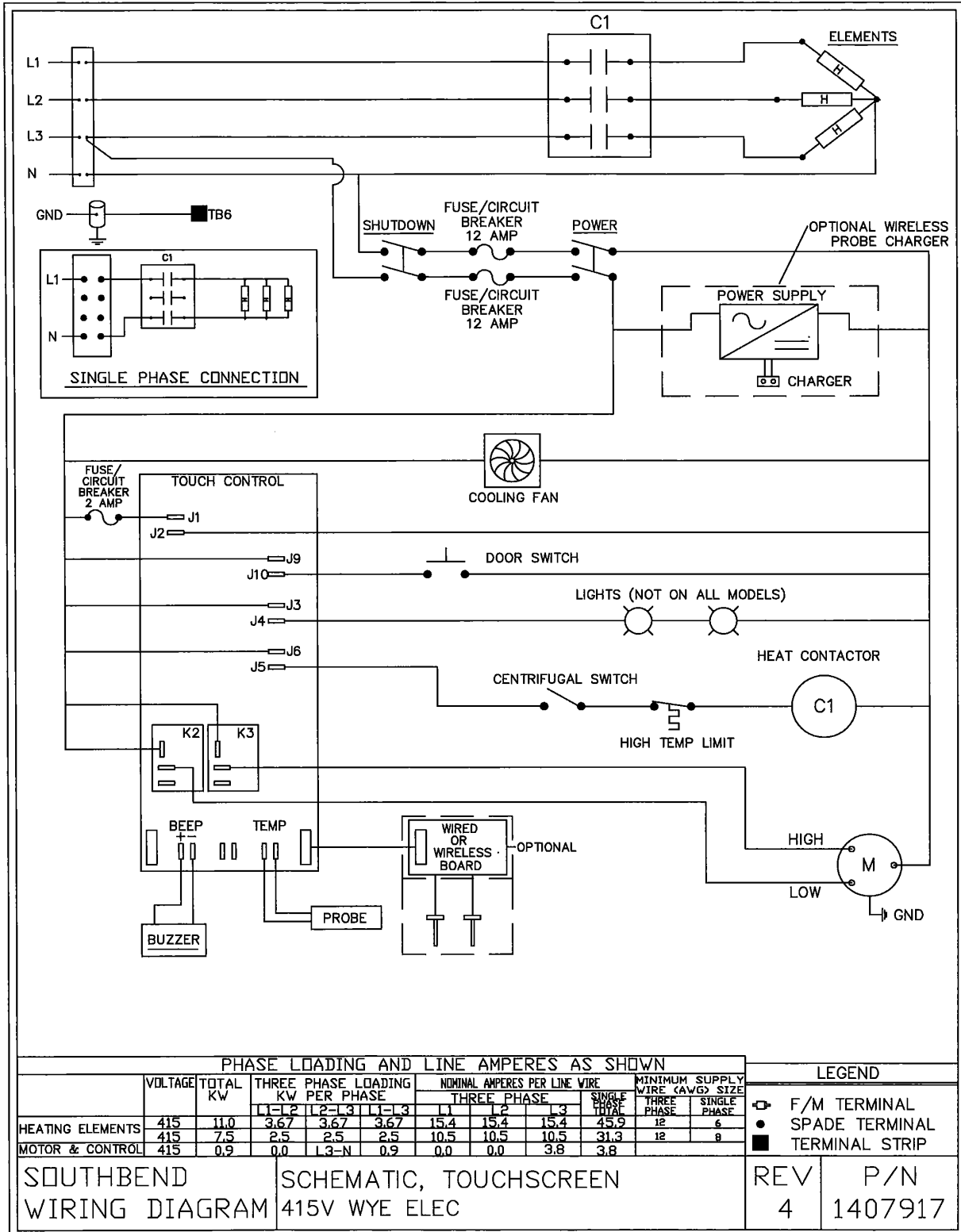
	F/M TERMINAL
	SPADE TERMINAL
	TERMINAL STRIP

SOUTHBEND SCHEMATIC, TOUCHSCREEN WIRING DIAGRAM 480V ELEC

REV 4 P/N 1407916

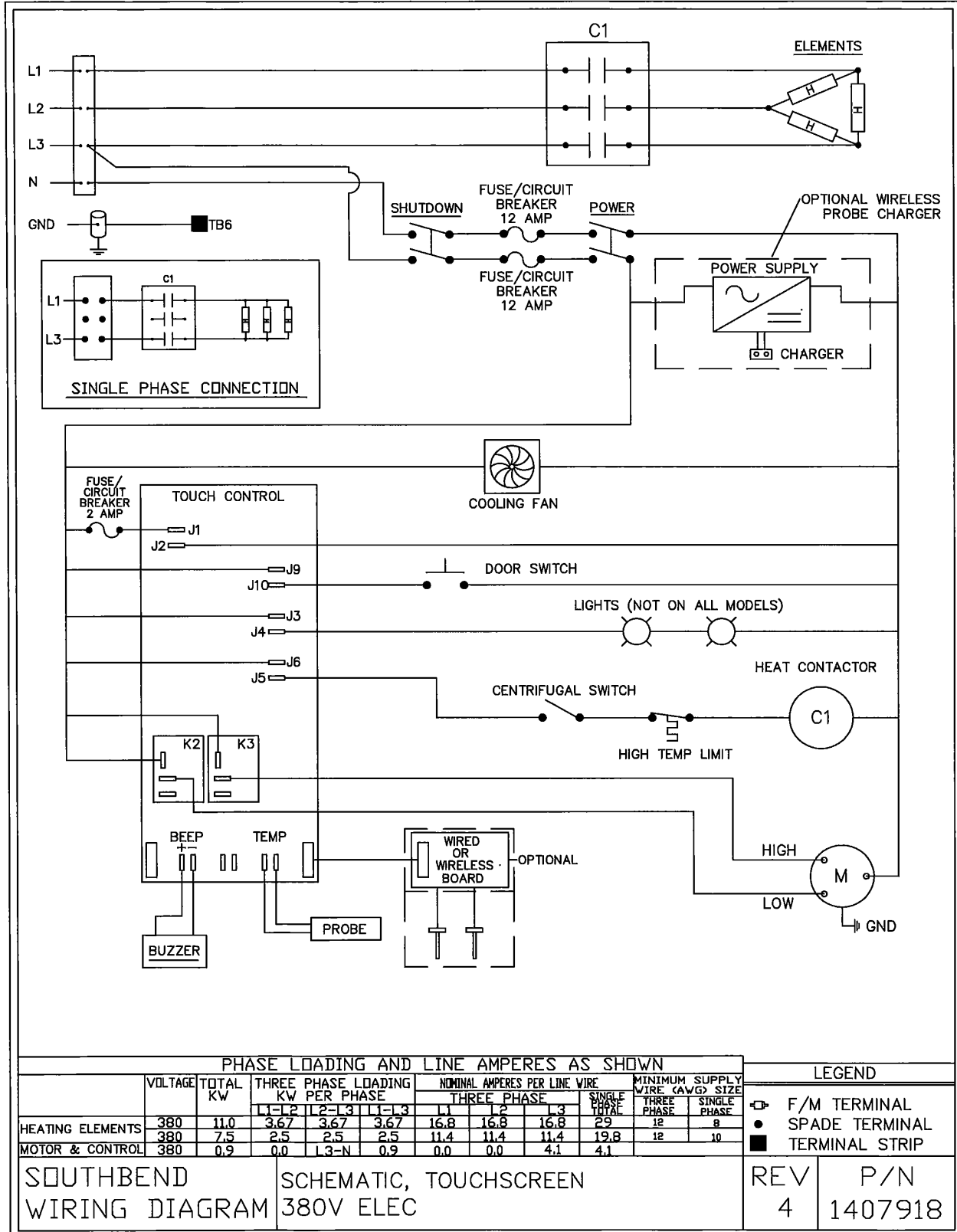
Wiring Diagram for 415 Volt WYE Electric Touchscreen Models

Figure 47



Wiring Diagram for 380 Volt Electric Touchscreen Models

Figure 48



Notes:

PLATINUM SERIES ELECTRIC CONVECTION OVENS



A product with the Southbend name incorporates the best in durability and low maintenance. We all recognize, however, that replacement parts and occasional professional service may be necessary to extend the useful life of this appliance. When service is needed, contact a Southbend Authorized Service Agency, or your dealer. To avoid confusion, always refer to the model number, serial number, and type of your appliance.



SOUTHBEND

 **MIDDLEBY** A Middleby Company

1100 Old Honeycutt Road Fuquay-Varina, North Carolina 27526 USA
www.southbendnc.com