

Instruction Manual

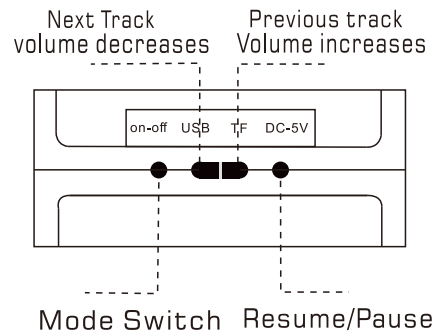


Portable Bluetooth speaker

Packing List

Bluetooth speaker: 1
charging cable: 1
Instruction Manual: 1

Function



90*70mm
H02说明书

Power on

1. Press and hold the speaker for 3 seconds while it is turned off to turn it on.
2. Press and hold for 3 seconds while the speaker is turned off.

Bluetooth connector

1. Turn on the Bluetooth speaker; The blue light flashes rapidly while waiting for pairing; Use the Bluetooth function of your phone to search for the Bluetooth speaker model of your device, and click to connect.
2. After turning on the Bluetooth speaker, it will automatically connect to the last connected phone before returning off (Bluetooth is on), and the phone does not need to perform search and connection steps again.

Music playback

1. Short press to play/pause.
2. When playing music, short pressing the "one" key will play the next song on the player;
3. When playing music, short pressing the "+" key will play the previous song on the player;
4. Long pressing the "" key while playing music will continuously increase the volume;
5. Long pressing the "one" key while playing music will continuously decrease the volume.

Charge

1. This product has a built-in battery and is charged with a data cable.
2. Type-C charging port: DC5V, the red light is on when charging, and the red light is off when fully charged.
3. USB port: Insert USB to play music.
4. TF card slot: Insert TF card to play music.

Note:

Repeatedly charging and discharging the speaker will lead to a decrease in battery performance over time, which is a normal phenomenon for all possible rechargeable batteries.

Product Parameters

Charging input: DC5V=500mA
Output power: 5W
Output frequency: 90HZ-20KHZ
Product size: 155 * 66 * 66mm
Battery capacity: 800mAh



FCC STATEMENT

1. This device complies with Part 15 of the FCC Rules. Operation is subject to the following two conditions:
(1) This device may not cause harmful interference, and
(2) This device must accept any interference received, including interference that may cause undesired operation.
2. Changes or modifications not expressly approved by the party responsible for compliance could void the user's authority to operate the equipment.

NOTE: This equipment has been tested and found to comply with the limits for a Class B digital device, pursuant to Part 15 of the FCC Rules. These limits are designed to provide reasonable protection against harmful interference in a residential installation. This equipment generates and can radiate radio frequency energy and, if not installed and used in accordance with the instructions, may cause harmful interference to radio

communications. However, there is no guarantee that interference will not occur in a particular installation. If this equipment does cause harmful interference to radio or television reception, which can be determined by turning the equipment off and on, the user is encouraged to try to correct the interference by one or more of the following measures:
Reorient or relocate the receiving antenna.
Increase the separation between the equipment and receiver.
Connect the equipment into an outlet on a circuit different from that to which the receiver is connected.
Consult the dealer or an experienced radio/TV technician for help.

RF warning statement:

The device has been evaluated to meet general RF exposure requirement. The device can be used in portable exposure condition without restriction.