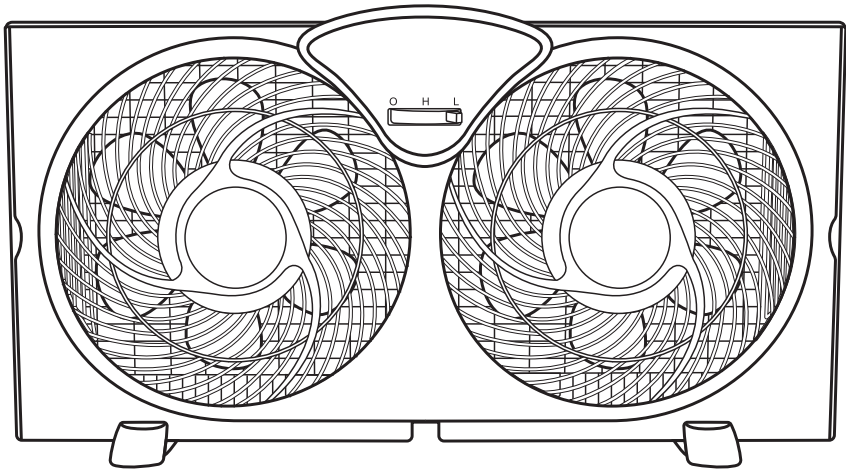


amazonbasics



Window Fan with Twin 9-Inch Blades

Ventilateur de Fenêtre à Double Hélice de 9 Pouces (22,86 cm)

Ventilador para Ventanas con Aspas Dobles de 9 Pulgadas (22.86 cm)

B07YJCTXN5

English	3
Français	9
Español	15



IMPORTANT SAFETY INSTRUCTIONS



Read these instructions carefully and retain them for future use. If this product is passed to a third party, then these instructions must be included.

When using electrical appliances, basic safety precautions should always be followed to reduce the risk of fire, electric shock, and/or injury to persons including the following:

⚠ WARNING Risk of injury! Avoid contacting moving parts. Wait until all components have completely stopped before touching them.

⚠ CAUTION Risk of fire! To reduce the risk of fire or electric shock, do not use this fan with any solid-state speed control device.

⚠ CAUTION Risk of electric shock! To reduce risk of electric shock, connect only to an outlet provided with a ground fault circuit interrupting device.

- Before connecting the product to the power supply, check that the power supply voltage and current rating corresponds with the power supply details shown on the product's rating label.
- Do not insert fingers or foreign objects in any opening of the product and do not obstruct the air vents.
- Do not operate any fan with a damaged cord or plug. Discard fan or return to an authorized service facility for examination and/or repair.
- Do not use an extension cord for this fan.
- Do not run under carpeting. Do not cover cord with throw rugs, runners, or similar coverings. Do not route cord under furniture or appliances. Arrange cord away from traffic area and where it will not be tripped over.
- Never use the product without the safety guard or with a damaged safety guard.
- Do not place any clothes or curtains on the product as they could be sucked into the fan during operation and damage the product.
- During use, keep hands, hair, clothing and utensils away from the safety guard to avoid injuries and damage of the product.
- Unplug or disconnect the appliance from the power supply before servicing.

- This product employs overload protection (fuse). A blown fuse indicates an overload or short-circuit situation. If the fuse blows, unplug the product from the outlet. Replace the fuse according to the instructions in this manual (follow product marking for proper fuse rating) and check the product. If the replacement fuse blows, a short-circuit may be present and the product should be discarded or returned to an authorized service facility for examination and/or repair.

Polarized plug

- This appliance has a polarized plug (one blade is wider than the other). To reduce the risk of electric shock, this plug is intended to fit in a polarized outlet only one way. If the plug does not fit fully in the outlet, reverse the plug. If it still does not fit, contact a qualified electrician. Do not attempt to defeat this safety feature.

SAVE THESE INSTRUCTIONS

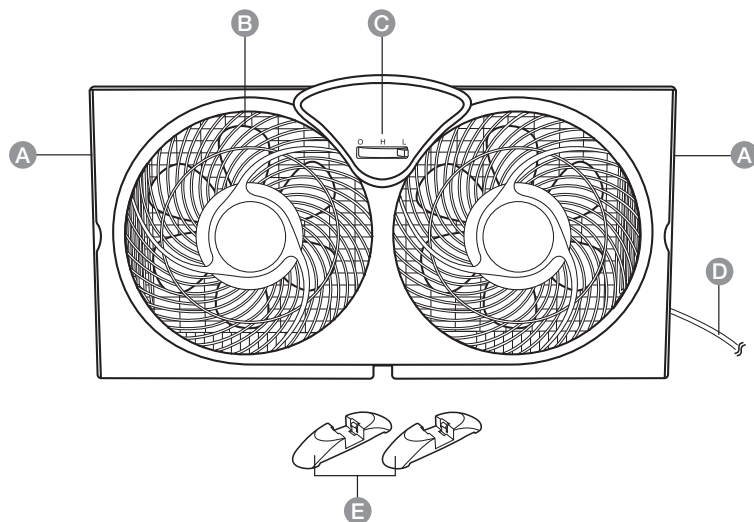
Intended Use

- This product is intended for household use only. It is not intended for commercial use.
- This product is intended for a fixed installation in a window or as a freestanding unit. The power cord must be connected to indoor GFCI protected receptacles only. This product is not intended for use in bathrooms, laundry areas and similar indoor locations.
- No liability will be accepted for damages resulting from improper use or non-compliance with these instructions.





Product Description



- A** Accordion shutters

B Front grille

C Control switch
- D** Power cord with plug

E Stands

Before First Use

- Check the product for transport damages.
- Remove all the packing materials.
- Before connecting the product to the power supply, check that the power supply voltage and current rating corresponds with the power supply details shown on the product rating label.

⚠ DANGER Risk of suffocation! Keep any packaging materials away from children – these materials are a potential source of danger, e.g. suffocation.

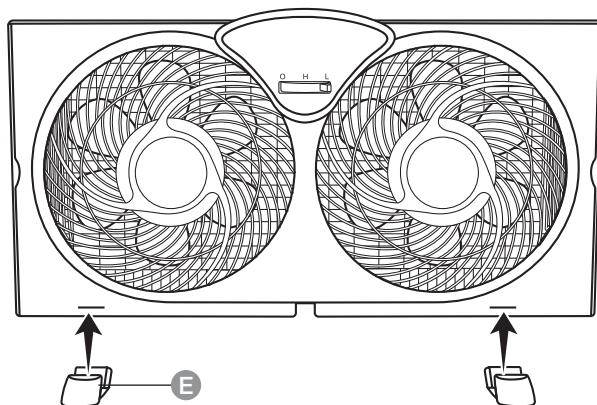




Installation

Floor/table installation

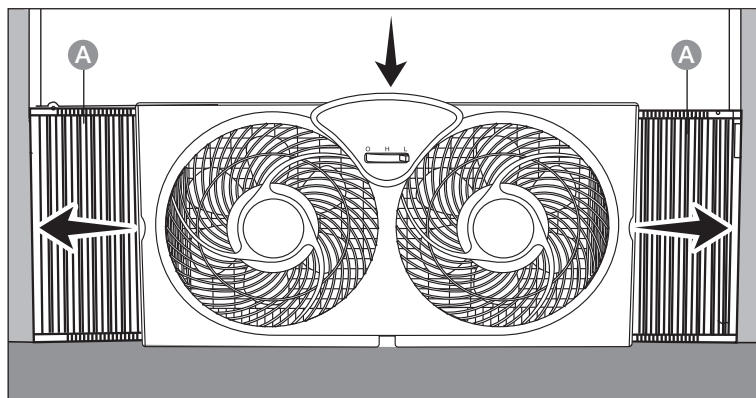
NOTICE The product should be placed at a minimum distance of 3.9" (10 cm) from the wall or other obstacles.



- Align the stands (E) with the indents on the main body. Push the stands in until they snap in place.

Window installation

NOTICE The product can be installed in double-hung windows with minimum openings of 24.4" (62 cm) in width and 13" (33 cm) in height.



- Place the product on the window sill.
- Fully extend the accordion shutters (A) until the product fits the window frame.
- Close the window sash, so it rests on the top of the product.



Operation

Switching on/off

- To switch the product on, set the control switch (C) to **H** or **L** position.
- To switch the product off, set the control switch (C) to **O** position.

Fan modes

The product features two fan modes:

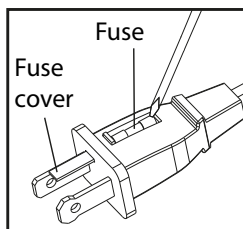
Mode	Function
H	High airflow
L	Low airflow

User Servicing Instructions

Fuse replacement

NOTICE The product requires a 2.5 A 125 V fuse.

- Grasp plug and remove from the receptacle or other outlet device. Do not unplug by pulling on cord.
- Slide open fuse access cover on top of attachment plug towards blades.
- Remove fuse carefully by using a small screwdriver to pry the fuse out of the compartment by the metal ends of the fuse.
- Risk of fire. Replace only with 2.5 A, 125 Volt fuse.
- Slide closed the fuse access cover on top of the attachment plug.



Cleaning and Maintenance

⚠ WARNING Risk of electric shock! To prevent electric shock, unplug the product before cleaning.

⚠ WARNING Risk of electric shock! During cleaning do not immerse the product in water or other liquids. Never hold the product under running water.

Cleaning

- To clean the product, wipe with a soft, slightly moist cloth.
- Never use corrosive detergents, wire brushes, abrasive scourers, metal or sharp utensils to clean the product.



Storage

- Store the product in its original packaging in a dry area. Keep away from children and pets.

Maintenance

- Any other servicing than mentioned in this manual should be performed by a professional repair centre.



Specifications

Model number:	B07YJCTXN5, WDF9-1S
Rated voltage:	120 V~, 60 Hz
Power consumption:	68 W
Net weight:	approx. 5.63 lbs (2.56 kg)
Dimensions (W x H x D):	approx. 23.4 x 12.6 x 5.35" (59.4 x 32 x 13.6 cm)



Feedback and Help

Love it? Hate it? Let us know with a customer review.

AmazonBasics is committed to delivering customer-driven products that live up to your high standards. We encourage you to write a review sharing your experiences with the product.

 amazon.com/review/review-your-purchases#

 amazon.com/gp/help/customer/contact-us

amazonbasics

amazon.com/AmazonBasics

MADE IN CHINA
FABRIQUÉ EN CHINE
HECHO EN CHINA

V01-11/19