

FISHER & PAYKEL

**36" PROFESSIONAL
COOKTOPS & BACKGUARDS**

CPV2-364GD, CPV2-366,
BGCV2-1236, BGCV2-3036 & BGCV2-3036H models

PLANNING GUIDE



CONTENTS

	PAGE	
	in	mm
36" Professional Cooktops CPV2-364GD, CPV2-366		
Key Design Decisions	4	16
Ventilation Requirements	5	17
36" Professional Cooktop CPV2-364GD		
Product & Cavity Dimensions	6	18
Clearance Dimensions	7	19
Cavity Preparation	8	20
36" Professional Cooktop CPV2-366		
Product & Cavity Dimensions	9	21
Clearance Dimensions	10	22
Cavity Preparation	11	23
36" Professional Range Backguard BGCV2-1236		
Product Dimensions	12	24
36" Professional Range Backguard BGCV2-3036		
Product Dimensions	13	25
36" Professional Range Backguard BGCV2-3036H		
Product Dimensions	14	26

IMPERIAL

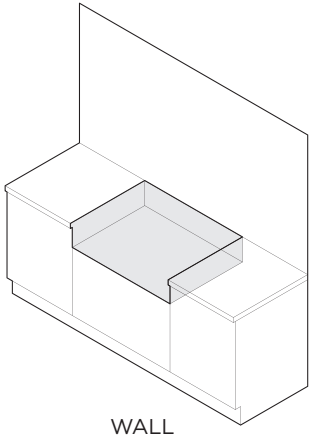
FISHER & PAYKEL

KEY DESIGN DECISIONS 36" Professional Gas Cooktop

Model no:
CPV2-364GD, CPV2-366

1

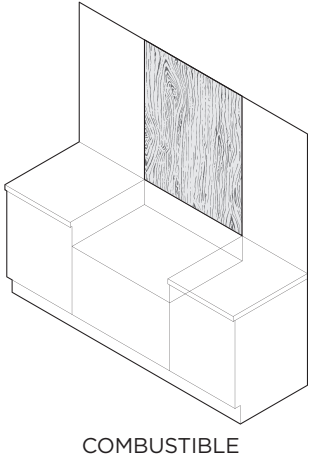
INSTALL TYPE



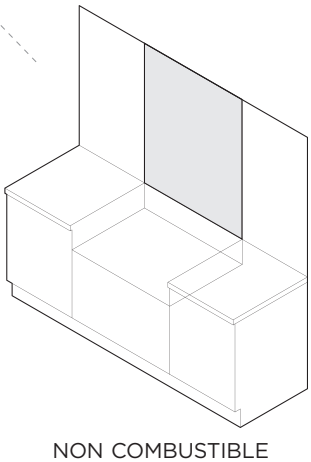
WALL

2

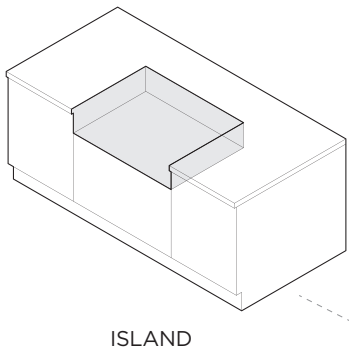
REAR SURFACE



COMBUSTIBLE



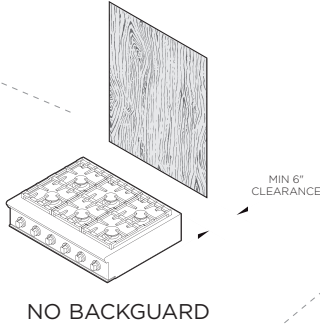
NON COMBUSTIBLE



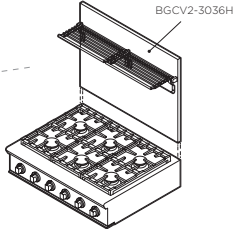
ISLAND

3

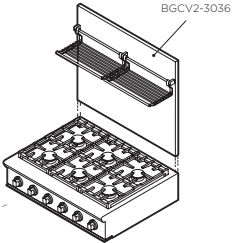
BACKGUARD OPTIONS



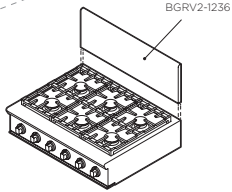
NO BACKGUARD



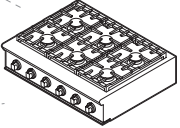
HIGH SHELF BACKGUARD



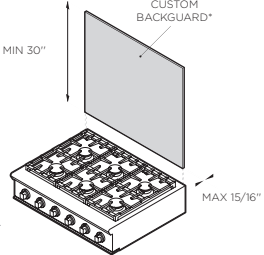
LOW SHELF BACKGUARD



LOW BACKGUARD



NO BACKGUARD



CUSTOM FABRICATED* BACKGUARD
*Fabricated from non combustible materials only

DATE: 02.05.2018

IMPORTANT: Throughout this guide, dimensions may vary by ±2mm (1/16"). Read the installation guide for detailed information on installing the product. For full installation instructions and specifications visit fisherpaykel.com

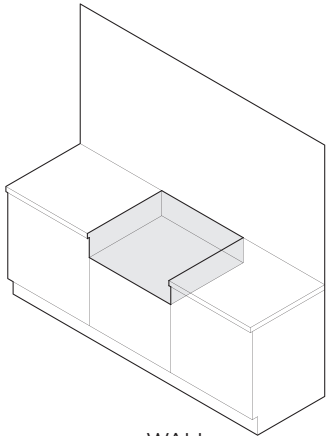


FISHER & PAYKEL

VENTILATION REQUIREMENTS 36" Professional Gas Cooktop

1

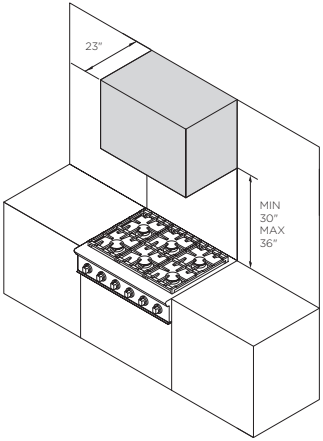
INSTALL TYPE



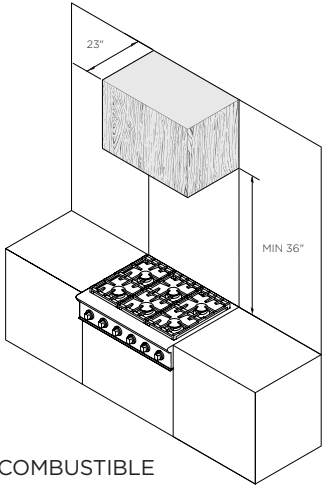
WALL

2

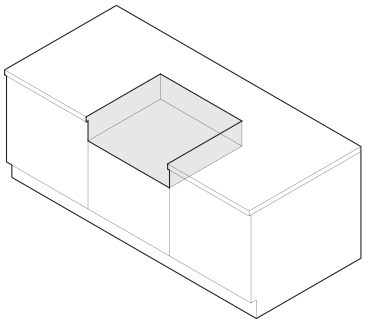
HOOD SURROUND MATERIAL



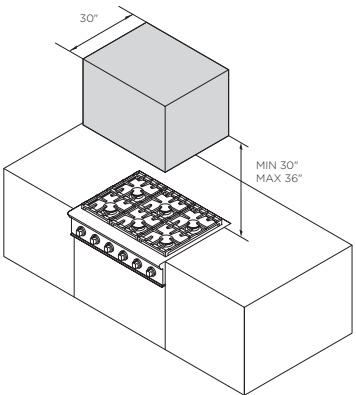
NON COMBUSTIBLE



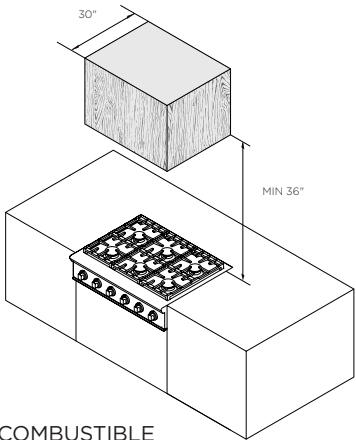
COMBUSTIBLE



ISLAND



NON COMBUSTIBLE



COMBUSTIBLE

Model no:

CPV2-364GD, CPV2-366

Note: CPV2-366 illustrated but all dimensions apply to the above models

Specifications

Ventilation Unit **Wall Installation**

Wall Chimney Hood 23" Deep x Unit Width

Blower 600 CFM

Ventilation Unit **Island Installation**

Island Chimney Hood 30" Deep x Unit Width

Blower 600 CFM

Ventilation Unit **Wall and Island Installation**

Downdraft* Unit Width

Blower 600 - 1200 CFM

Note: A suitable ventilation unit must be installed with the cooktop.

The above indicates the minimum blower capacity recommended for ventilation units.

* Not illustrated.

DATE: 02.05.2018

IMPORTANT: Throughout this guide, dimensions may vary by ±2mm (1/16"). Read the installation guide for detailed information on installing the product. For full installation instructions and specifications visit fisherpaykel.com



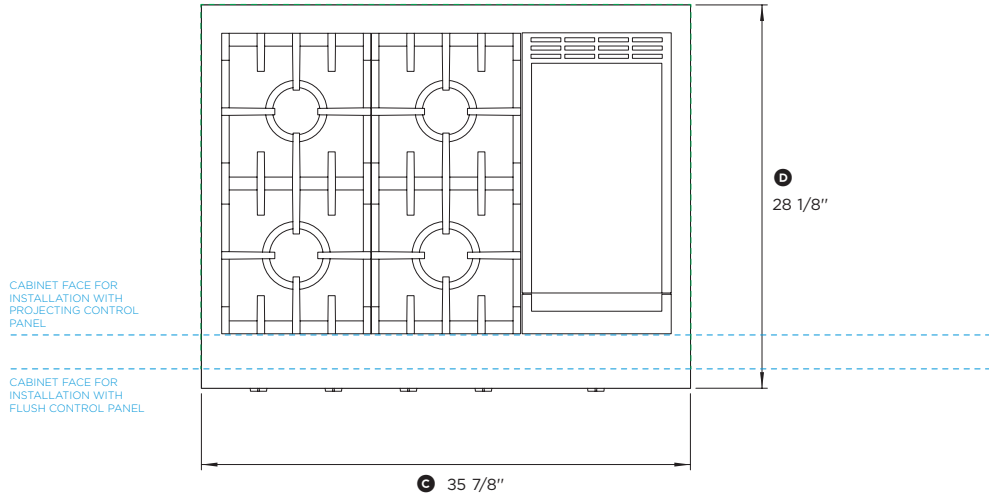
FISHER & PAYKEL

PRODUCT & CAVITY DIMENSIONS 36" Professional Gas Cooktop

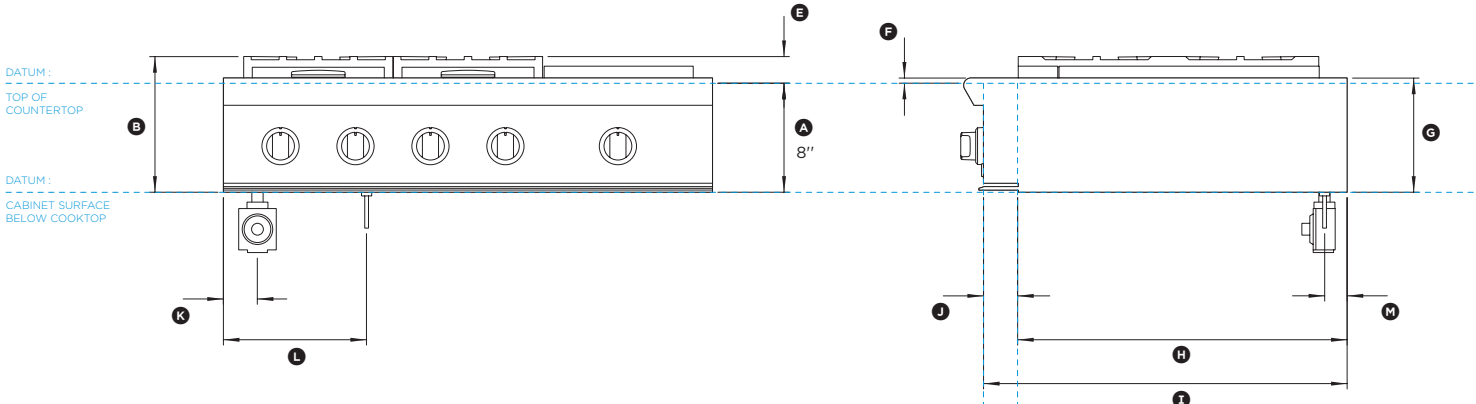
Model no:
CPV2-364GD

Product Dimensions	in
Ⓐ Height below countertop datum to bottom of chassis	8"
Ⓑ Overall height of product (bottom of chassis to top of grates)	9 15/16"
Ⓒ Overall width of cooktop	35 7/8"
Ⓓ Overall depth of cooktop	28 1/8"
Ⓔ Height above countertop datum to top of grates	1 15/16"
Ⓕ Height from countertop datum to chassis top surface	3/8"
Ⓖ Height of chassis	8 3/8"
Ⓗ Depth from rear of chassis to cabinetry datum - projecting	24 3/16"
Ⓘ Depth from rear of chassis to cabinetry datum - flush	26 11/16"
Ⓚ Depth of control panel	2 1/2"
Ⓛ Distance from left edge of chassis to center line of gas inlet	2 1/2"
Ⓜ Distance from left edge of chassis to center line of power cord	10 1/2"
Ⓝ Distance from rear edge of chassis to center line of gas/power	1 5/8"

Cutout Dimensions	in
Overall height of cutout	8"
Overall width of cutout	min 36"
Overall depth of cutout for projecting control panel	max
	24 3/16"
Overall depth of cutout for flush control panel	max
	26 11/16"



PLAN VIEW



FRONT VIEW

PROFILE VIEW



CABINET FACE FOR INSTALLATION WITH FLUSH CONTROL PANEL
CABINET FACE FOR INSTALLATION WITH PROJECTING CONTROL PANEL

INDICATES CABINETRY DATUM -----
INDICATES CUTOUT -----

DATE: **02.05.2018**

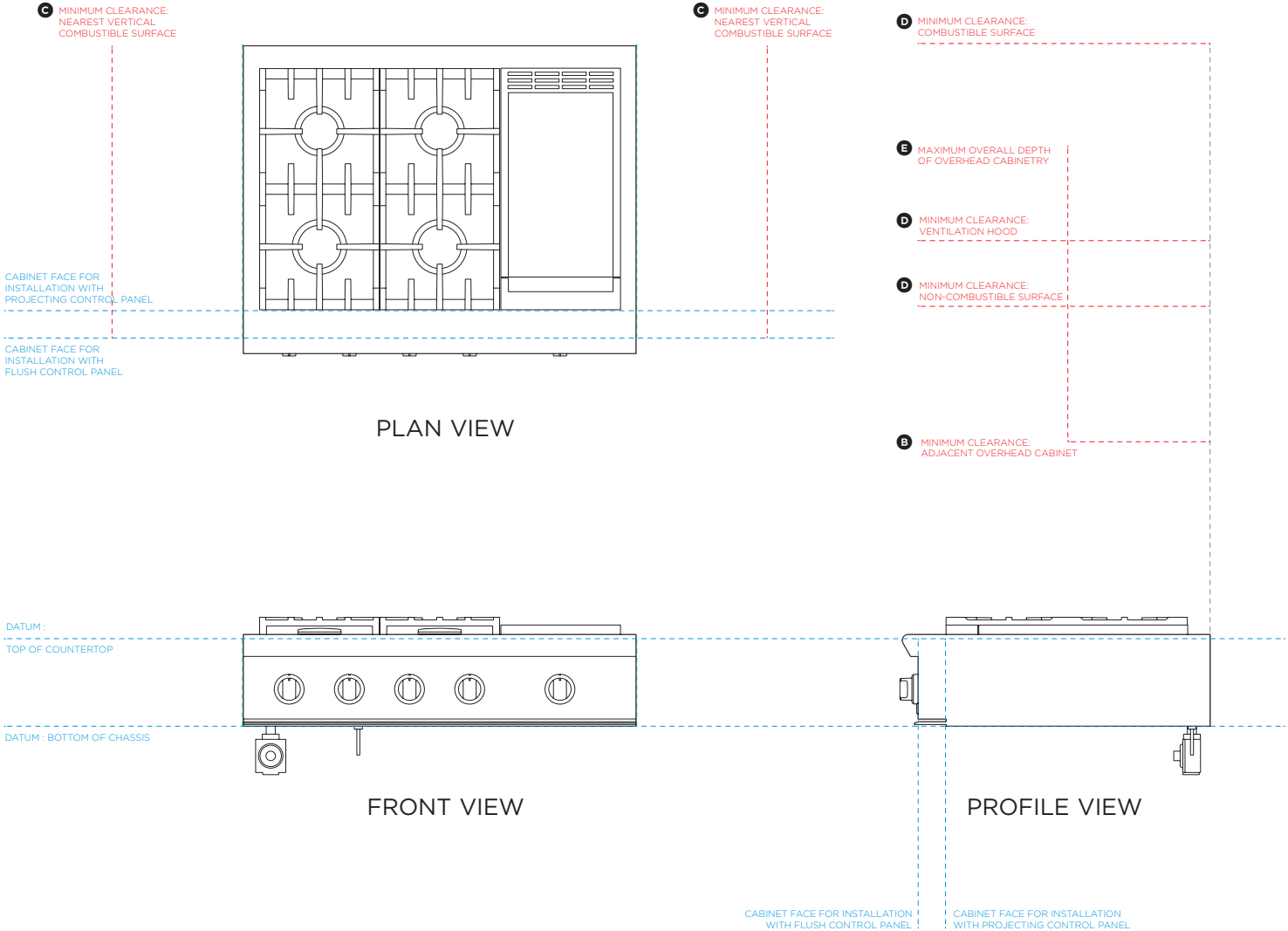
IMPORTANT: Throughout this guide, dimensions may vary by ±2mm (1/16"). Read the installation guide for detailed information on installing the product. For full installation instructions and specifications visit fisherpaykel.com

FISHER & PAYKEL

CLEARANCE DIMENSIONS 36" Professional Gas Cooktop

Model no:
CPV2-364GD

Cabinetry Dimensions	in
Ⓐ Minimum width of ventilation hood installed above cooktop - not shown*	36"
Ⓒ Minimum vertical distance between countertop and cabinet extending above counter	18"
Ⓒ Minimum clearance from left and right edge of range to nearest vertical combustible surface	12"
Ⓔ Minimum clearance from cooking surface to: - combustible surface centered above the cooking surface - combustible covering for ventilation hood centered above the cooking surface	54"
Ⓓ Minimum clearance: - non-combustible surface centered above the cooking surface	36"
Ⓔ Maximum overall depth of overhead cabinetry	30"
Ⓔ Maximum overall depth of overhead cabinetry	13"



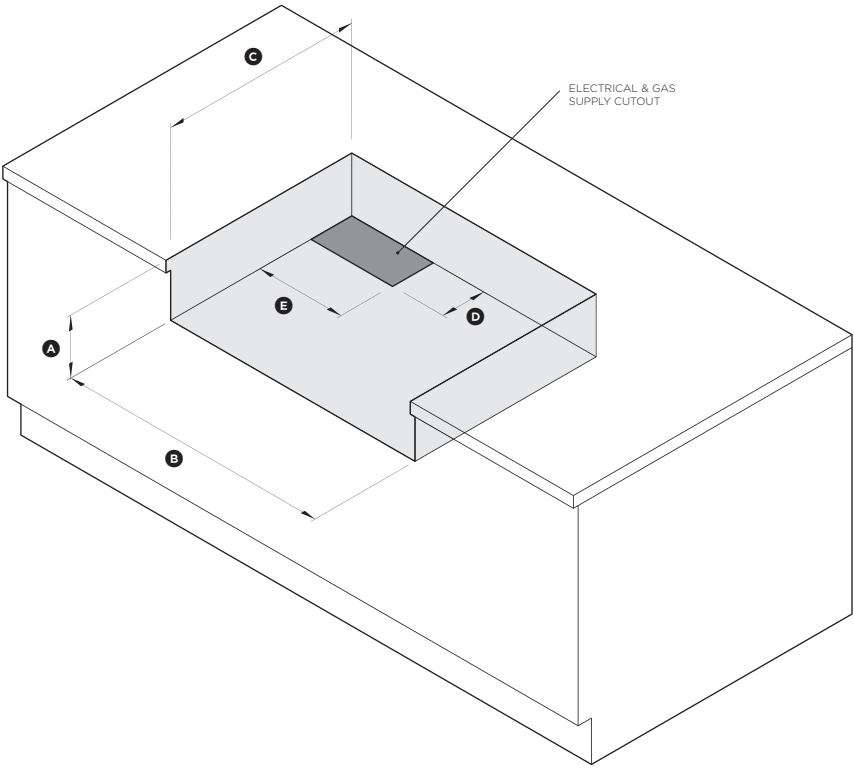
INDICATES CABINETRY CLEARANCES - - - - -
INDICATES PRODUCT DATUM - - - - -

DATE: **02.05.2018**

IMPORTANT: Throughout this guide, dimensions may vary by $\pm 2\text{mm}$ (1/16"). Read the installation guide for detailed information on installing the product. For full installation instructions and specifications visit fisherpaykel.com

FISHER & PAYKEL

CAVITY PREPARATION 36" Professional Gas Cooktop



Model no:
CPV2-364GD

Cavity Dimensions	in
Ⓐ Overall height of cutout	8"
Ⓑ Overall width of cutout	min 36"
Ⓒ Overall depth of cutout for projecting control panel	max 24 3/16"
Overall depth of cutout for flush control panel	max 26 11/16"

Electrical and Gas Supply Cutout	in
Ⓓ Depth of supply area from rear of cutout	6"
Ⓔ Width of supply area from left side of cutout	12"

Specifications	36" Models
Electrical	
Supply	120 VAC, 60Hz
Max. Current Draw	15 amp
Service	15 amp circuit
Gas - Natural	
Connection	1/2" NPT Minimum 5/8" dia. flex line
Supply Pressure	Supply Pressure: 6" to 9" W.C.
Gas - LP	
Connection	1/2" NPT Minimum 5/8" dia. flex line
Supply Pressure*	11" to 14" W.C.

A regulator is required at the LP source to provide a maximum pressure of 14" W.C. to the cooktop regulator.

DATE: **02.05.2018**

IMPORTANT: Throughout this guide, dimensions may vary by ±2mm (1/16"). Read the installation guide for detailed information on installing the product. For full installation instructions and specifications visit fisherpaykel.com

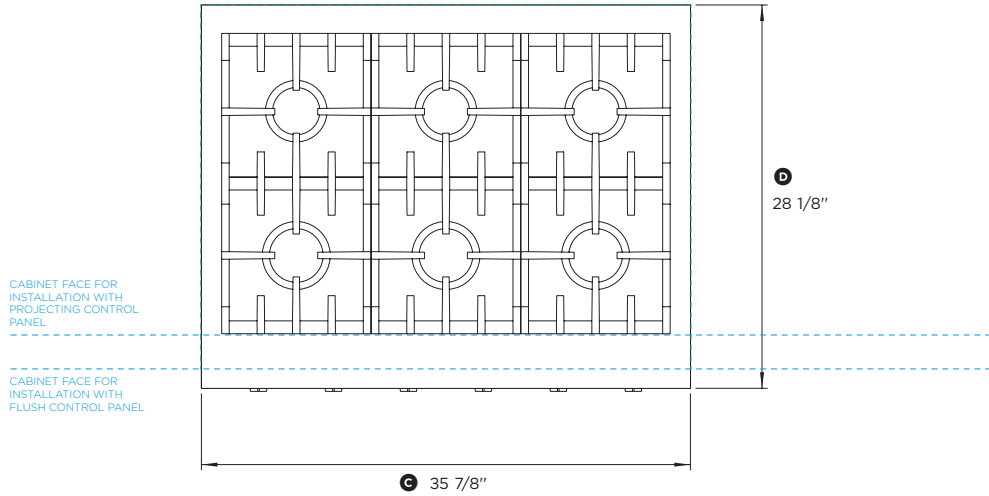
FISHER & PAYKEL

PRODUCT & CAVITY DIMENSIONS 36" Professional Gas Cooktop

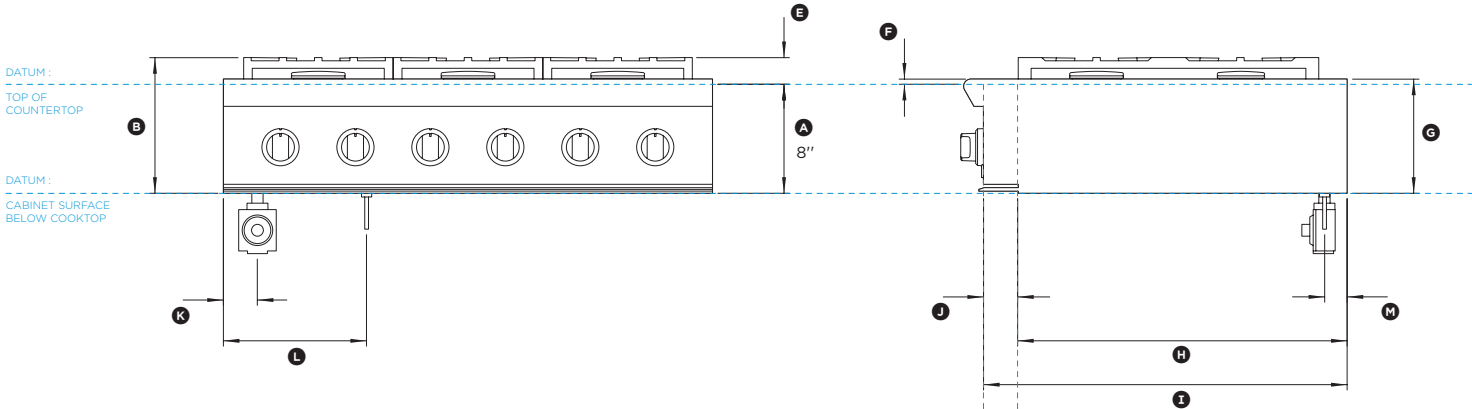
Model no:
CPV2-366

Product Dimensions	in
Ⓐ Height below countertop datum to bottom of chassis	8"
Ⓑ Overall height of product (bottom of chassis to top of grates)	9 15/16"
Ⓒ Overall width of cooktop	35 7/8"
Ⓓ Overall depth of cooktop	28 1/8"
Ⓔ Height above countertop datum to top of grates	1 15/16"
Ⓕ Height from countertop datum to chassis top surface	3/8"
Ⓖ Height of chassis	8 3/8"
Ⓗ Depth from rear of chassis to cabinetry datum - projecting	24 3/16"
Ⓘ Depth from rear of chassis to cabinetry datum - flush	26 11/16"
Ⓚ Depth of control panel	2 1/2"
Ⓛ Distance from left edge of chassis to center line of gas inlet	2 1/2"
Ⓜ Distance from left edge of chassis to center line of power cord	10 1/2"
Ⓝ Distance from rear edge of chassis to center line of gas/power	1 5/8"

Cutout Dimensions	in
Overall height of cutout	8"
Overall width of cutout	min 36"
Overall depth of cutout for projecting control panel	max
	24 3/16"
Overall depth of cutout for flush control panel	max
	26 11/16"



PLAN VIEW



FRONT VIEW

PROFILE VIEW



INDICATES CABINETRY DATUM -----
INDICATES CUTOUT -----

DATE: **02.05.2018**

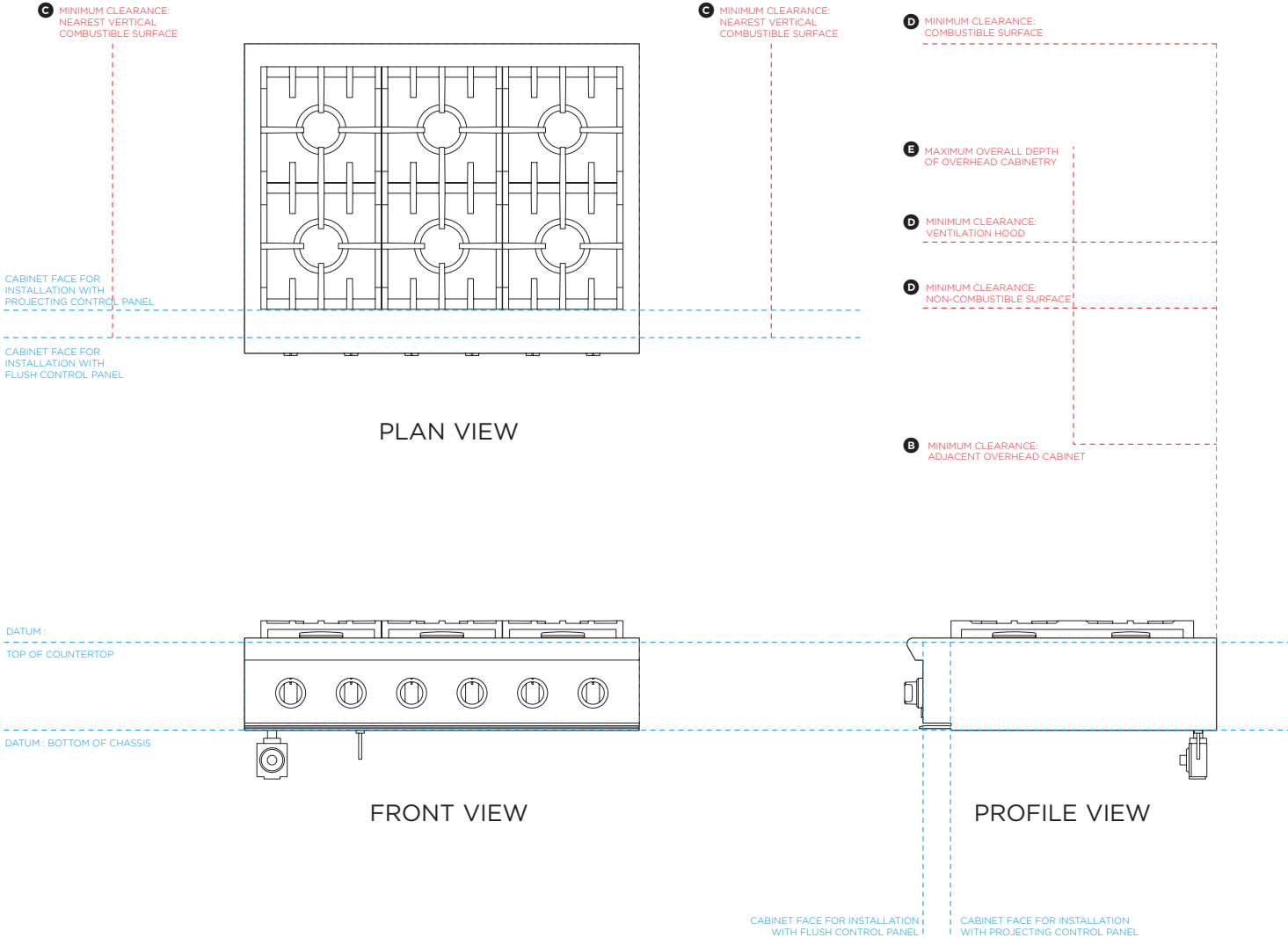
IMPORTANT: Throughout this guide, dimensions may vary by ±2mm (1/16"). Read the installation guide for detailed information on installing the product. For full installation instructions and specifications visit fisherpaykel.com

FISHER & PAYKEL

CLEARANCE DIMENSIONS 36" Professional Gas Cooktop

Model no:
CPV2-366

Cabinetry Dimensions	in
Ⓐ Minimum width of ventilation hood installed above cooktop - not shown*	36"
Ⓒ Minimum vertical distance between countertop and cabinet extending above counter	18"
Ⓒ Minimum clearance from left and right edge of range to nearest vertical combustible surface	12"
Ⓔ Minimum clearance from cooking surface to: - combustible surface centered above the cooking surface - combustible covering for ventilation hood centered above the cooking surface	54"
- non-combustible surface centered above the cooking surface	36"
Ⓔ Maximum overall depth of overhead cabinetry	13"



INDICATES CABINETRY CLEARANCES - - - - -
INDICATES PRODUCT DATUM - - - - -

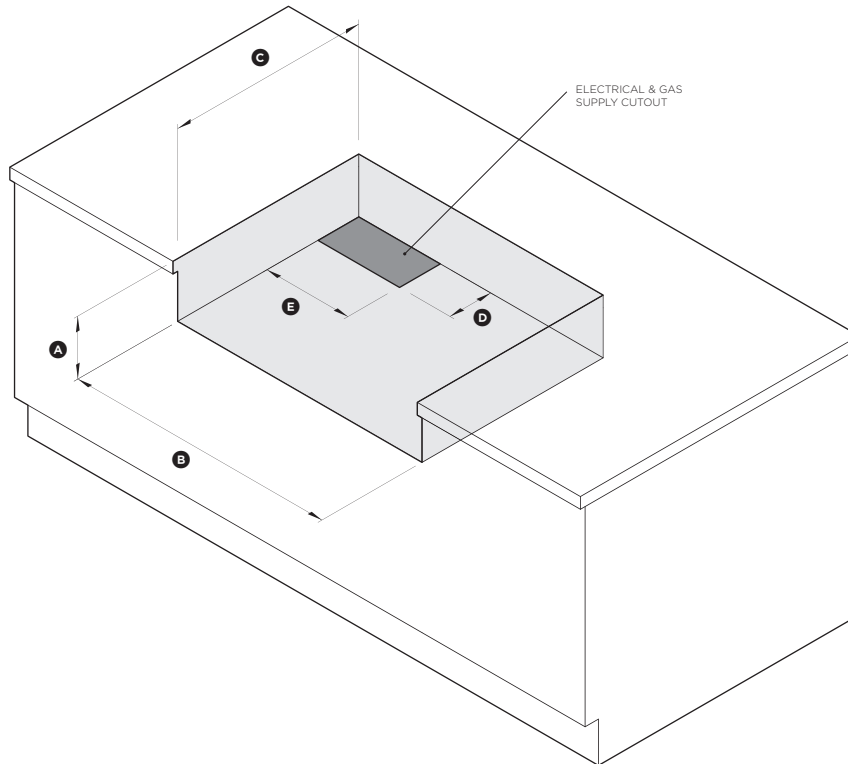


DATE: **02.05.2018**

IMPORTANT: Throughout this guide, dimensions may vary by $\pm 2\text{mm}$ (1/16"). Read the installation guide for detailed information on installing the product. For full installation instructions and specifications visit fisherpaykel.com

FISHER & PAYKEL

CAVITY PREPARATION 36" Professional Gas Cooktop



Model no:
CPV2-366

Cavity Dimensions	in
Ⓐ Overall height of cutout	8"
Ⓑ Overall width of cutout	min 36"
Ⓒ Overall depth of cutout for projecting control panel	max 24 3/16"
Overall depth of cutout for flush control panel	max 26 11/16"

Electrical and Gas Supply Cutout	in
Ⓓ Depth of supply area from rear of cutout	6"
Ⓔ Width of supply area from left side of cutout	12"

Specifications	36" Models
Electrical	
Supply	120 VAC, 60Hz
Max. Current Draw	15 amp
Service	15 amp circuit
Gas - Natural	
Connection	1/2" NPT Minimum 5/8" dia. flex line
Supply Pressure	Supply Pressure: 6" to 9" W.C.
Gas - LP	
Connection	1/2" NPT Minimum 5/8" dia. flex line
Supply Pressure*	11" to 14" W.C.

A regulator is required at the LP source to provide a maximum pressure of 14" W.C. to the cooktop regulator.

DATE: **02.05.2018**

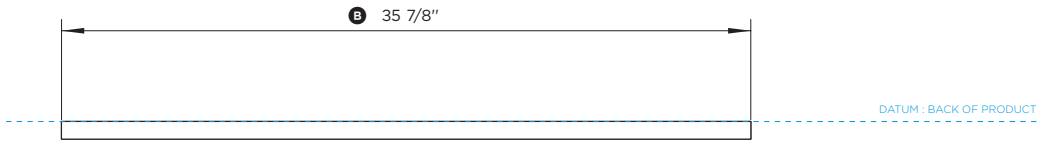
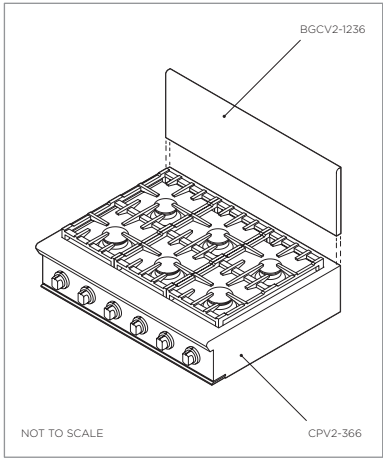
IMPORTANT: Throughout this guide, dimensions may vary by $\pm 2\text{mm}$ (1/16"). Read the installation guide for detailed information on installing the product. For full installation instructions and specifications visit fisherpaykel.com

FISHER & PAYKEL

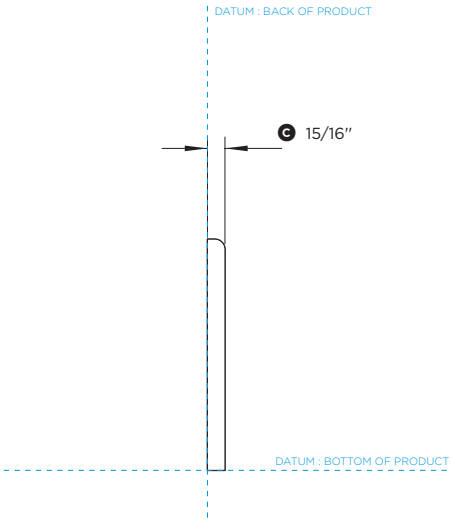
PRODUCT DIMENSIONS 36" Professional Gas Cooktop

Model no:
BGCV2-1236

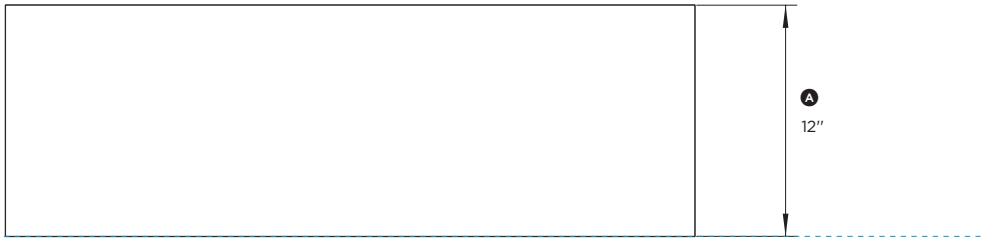
Product Dimensions	in
Ⓐ Overall height of backguard	12"
Ⓑ Overall width of backguard	35 7/8"
Ⓒ Overall depth of backguard	15/16"



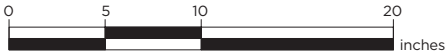
PLAN VIEW



PROFILE VIEW



FRONT VIEW



INDICATES PRODUCT DATUM -----

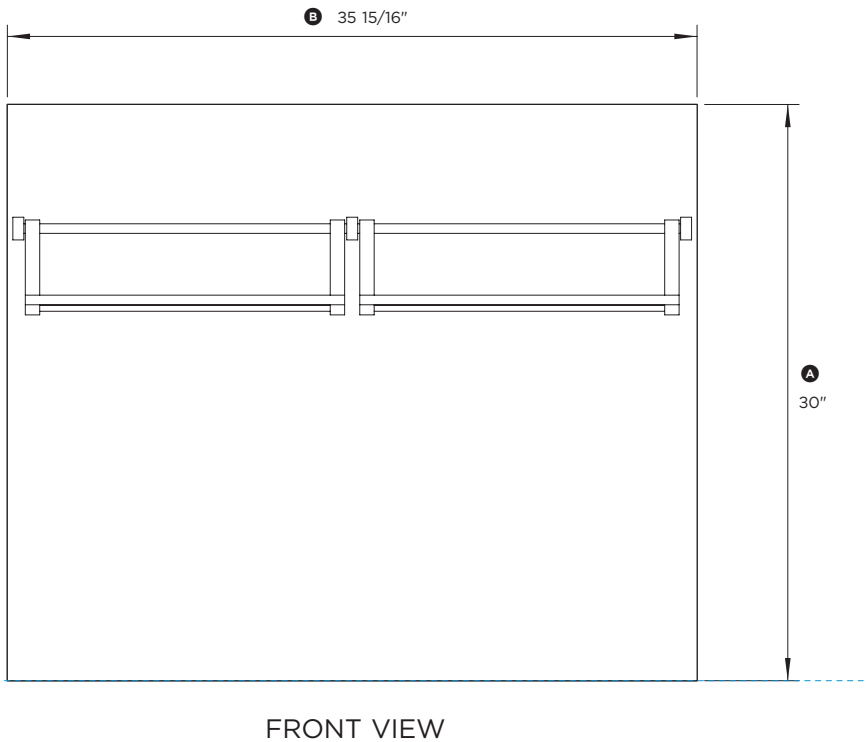
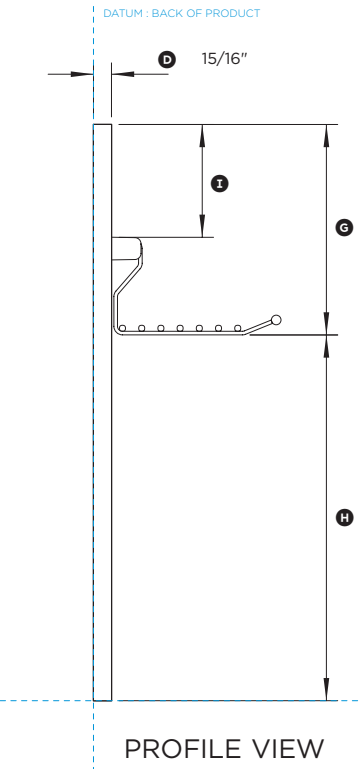
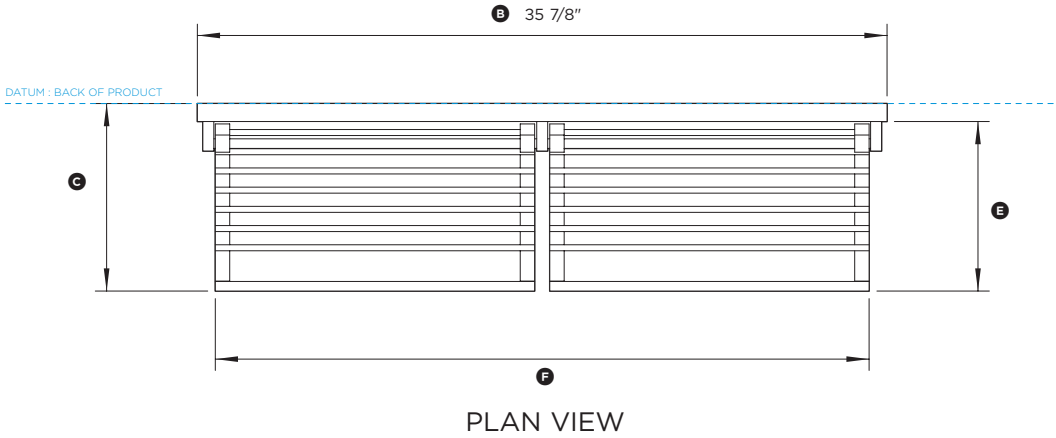
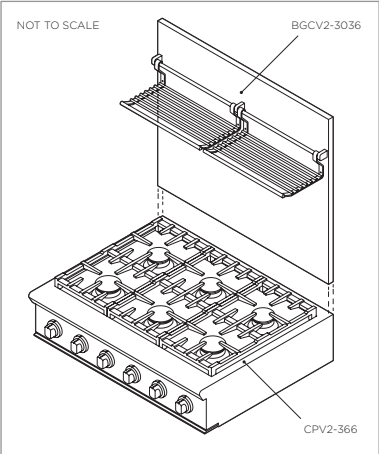
DATE: **02.05.2018**

IMPORTANT: Throughout this guide, dimensions may vary by ±2mm (1/16"). Read the installation guide for detailed information on installing the product. For full installation instructions and specifications visit fisherpaykel.com



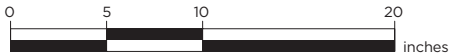
FISHER & PAYKEL

PRODUCT DIMENSIONS 36" Professional Cooktop Backguard



Model no:
BGCV2-3036

Product Dimensions	in
Ⓐ Overall height of backguard	30"
Ⓑ Overall width of backguard	35 7/8"
Ⓒ Overall depth of backguard and racks	9 3/4"
Ⓓ Depth of backguard	15/16"
Ⓔ Depth of racks	8 13/16"
Ⓕ Width of racks	34 1/16"
Ⓖ Distance from top of backguard to bottom of racks	10 15/16"
Ⓗ Distance from bottom of backguard to bottom of racks	19 1/16"
Ⓘ Distance from top of backguard to top of brackets	5 7/8"



DATE: **02.05.2018**

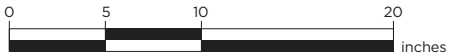
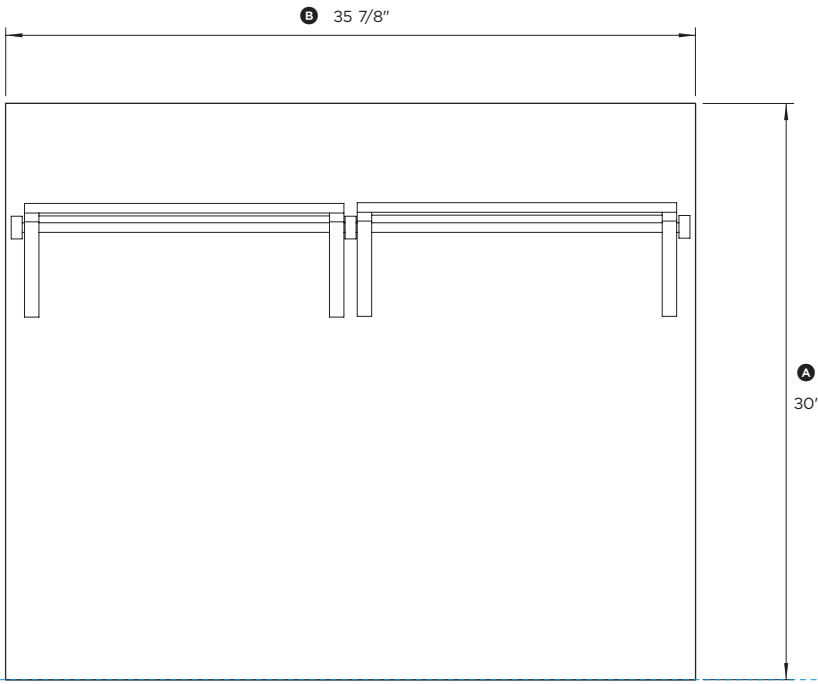
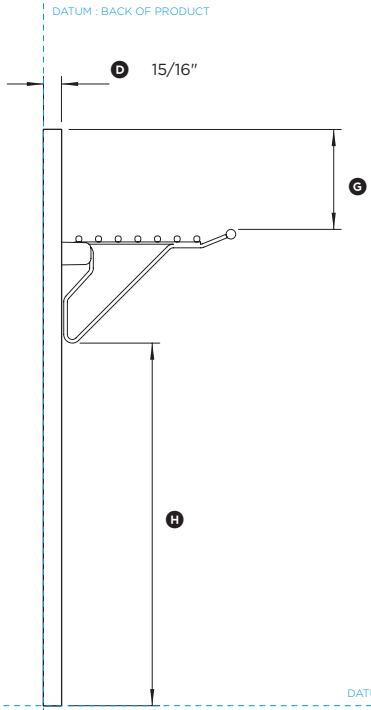
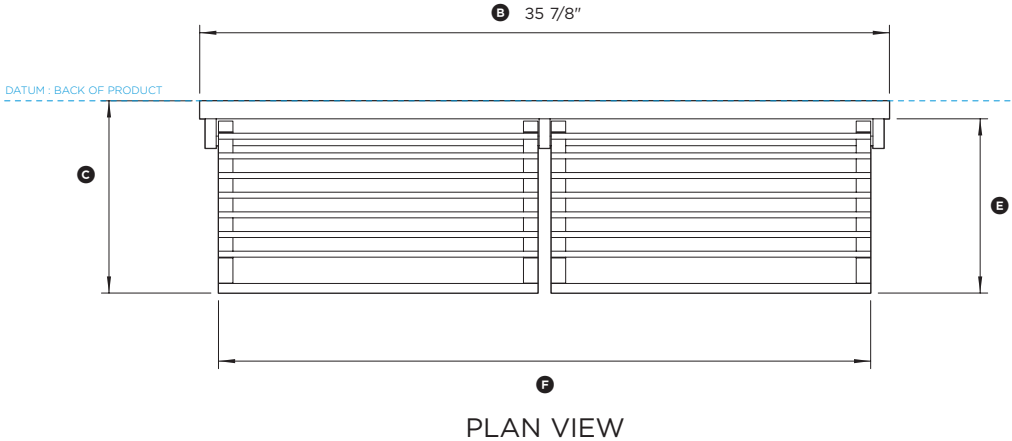
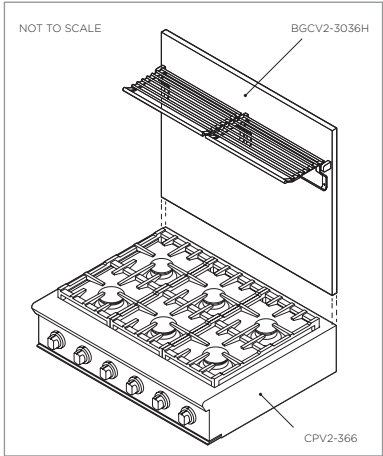
IMPORTANT: Throughout this guide, dimensions may vary by ±2mm (1/16"). Read the installation guide for detailed information on installing the product. For full installation instructions and specifications visit fisherpaykel.com

FISHER & PAYKEL

PRODUCT DIMENSIONS 36" Professional Cooktop Backguard

Model no:
BGCV2-3036H

Product Dimensions	in
Ⓐ Overall height of backguard	30"
Ⓑ Overall width of backguard	35 7/8"
Ⓒ Overall depth of backguard and racks	10"
Ⓓ Depth of backguard	15/16"
Ⓔ Depth of racks	9 1/16"
Ⓕ Width of racks	33 15/16"
Ⓖ Distance from top of backguard to top of racks	5 3/8"
Ⓗ Distance from bottom of backguard to bottom of racks	18 7/8"



DATE: **02.05.2018**

IMPORTANT: Throughout this guide, dimensions may vary by ±2mm (1/16"). Read the installation guide for detailed information on installing the product. For full installation instructions and specifications visit fisherpaykel.com

METRIC

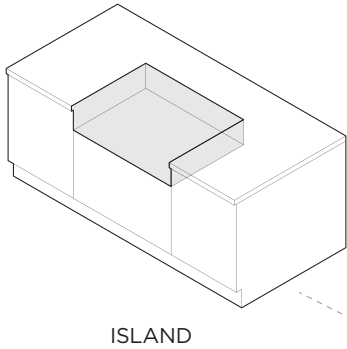
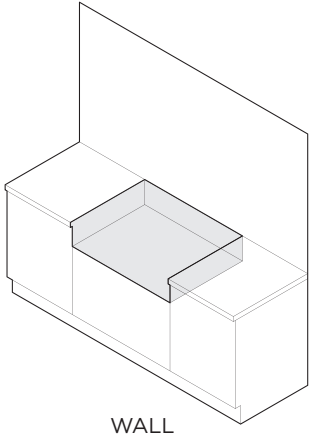
FISHER & PAYKEL

KEY DESIGN DECISIONS 36" Professional Gas Cooktop

Model no:
CPV2-364GD, CPV2-366

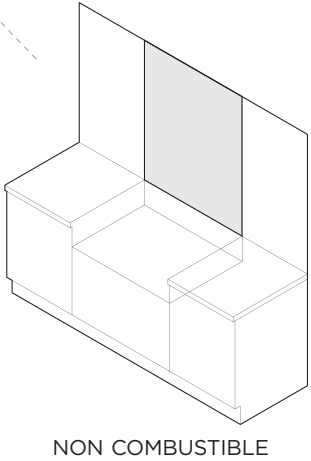
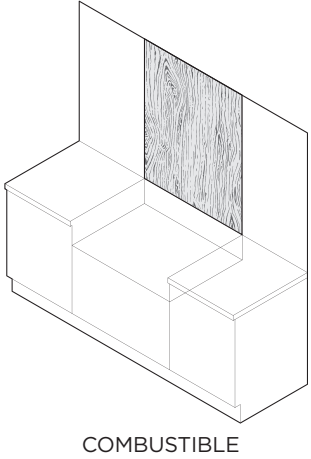
1

INSTALL TYPE



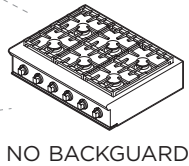
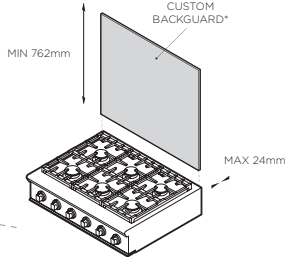
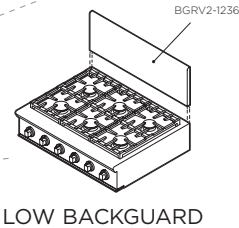
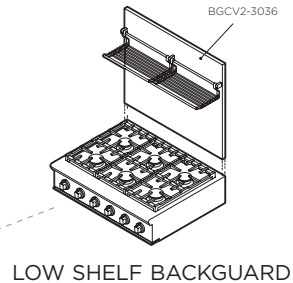
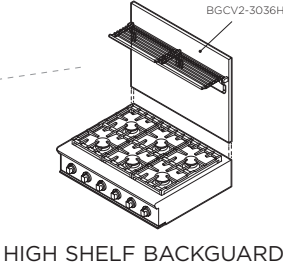
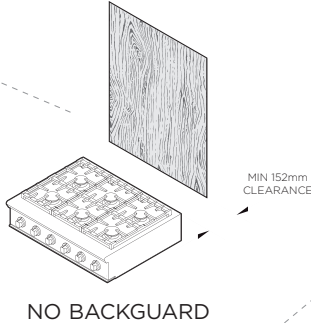
2

REAR SURFACE



3

BACKGUARD OPTIONS



*Fabricated from non combustible materials only

DATE: 02.05.2018

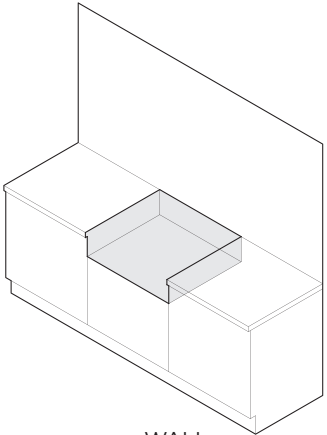
IMPORTANT: Throughout this guide, dimensions may vary by ±2mm (1/16"). Read the installation guide for detailed information on installing the product. For full installation instructions and specifications visit fisherpaykel.com

FISHER & PAYKEL

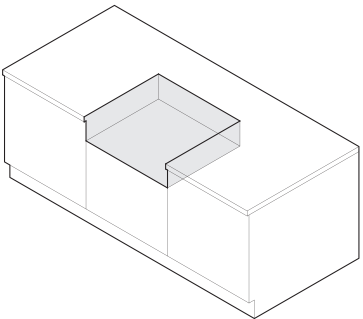
VENTILATION REQUIREMENTS 36" Professional Gas Cooktop

1

INSTALL TYPE



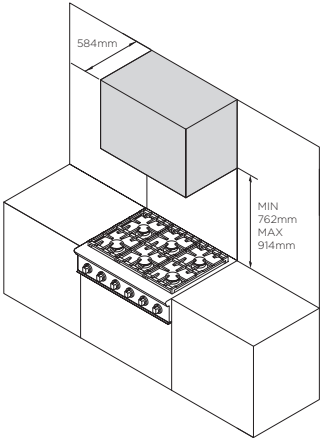
WALL



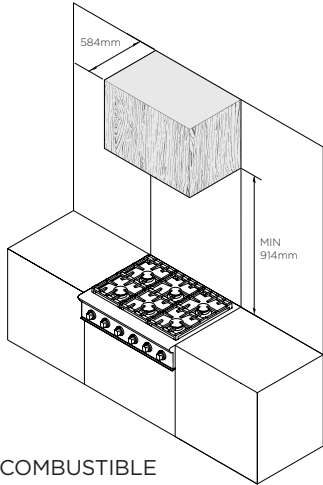
ISLAND

2

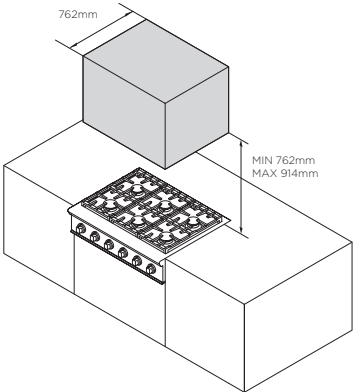
HOOD SURROUND MATERIAL



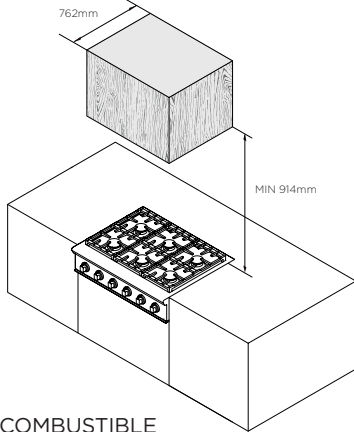
NON COMBUSTIBLE



COMBUSTIBLE



NON COMBUSTIBLE



COMBUSTIBLE

Model no:

CPV2-364GD, CPV2-366

Note: CPV2-366 illustrated but all dimensions apply to the above models

Specifications

Ventilation Unit	Wall Installation
------------------	-------------------

Wall Chimney Hood	584mm Deep x Unit Width
-------------------	-------------------------

Blower	600 CFM
--------	---------

Ventilation Unit	Island Installation
------------------	---------------------

Island Chimney Hood	762mm Deep x Unit Width
---------------------	-------------------------

Blower	600 CFM
--------	---------

Ventilation Unit	Wall and Island Installation
------------------	------------------------------

Downdraft*	Unit Width
------------	------------

Blower	600 - 1200 CFM
--------	----------------

Note: A suitable ventilation unit must be installed with the cooktop.

The above indicates the minimum blower capacity recommended for ventilation units.

* Not illustrated.

DATE: 02.05.2018

IMPORTANT: Throughout this guide, dimensions may vary by $\pm 2\text{mm}$ (1/16"). Read the installation guide for detailed information on installing the product. For full installation instructions and specifications visit fisherpaykel.com

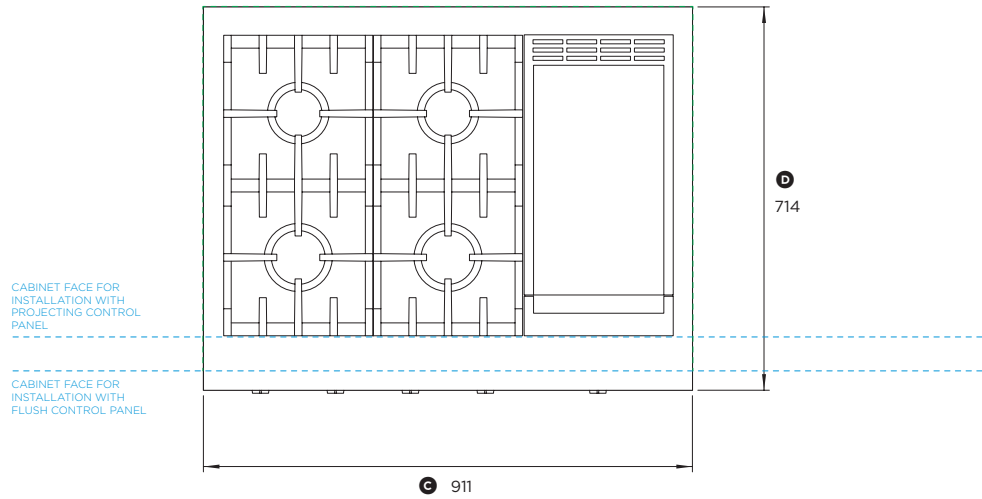
FISHER & PAYKEL

PRODUCT & CAVITY DIMENSIONS 36" Professional Gas Cooktop

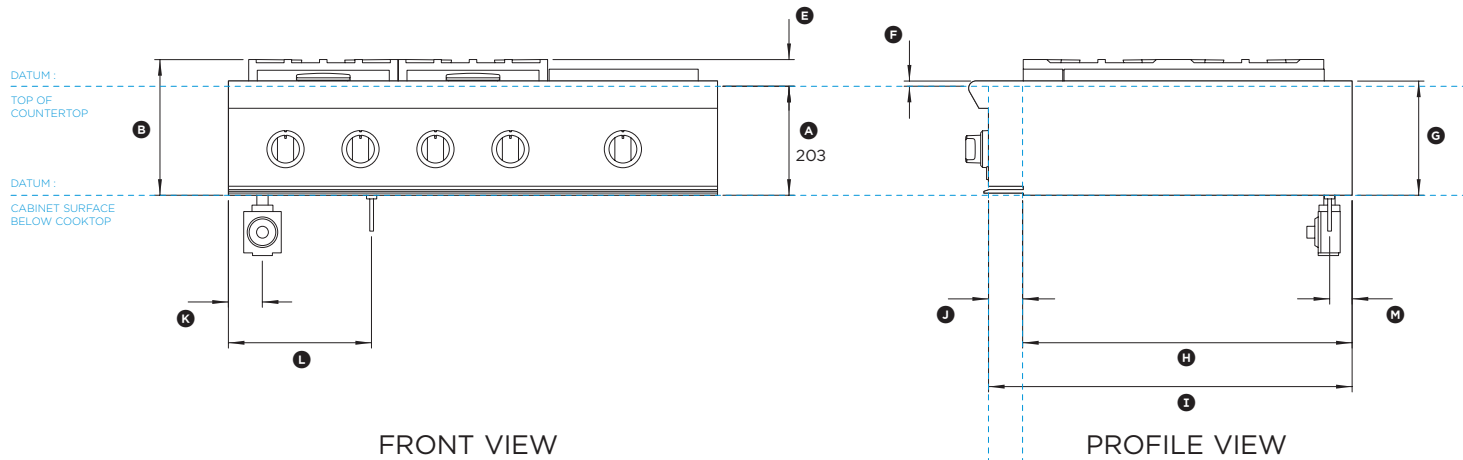
Model no:
CPV2-364GD

Product Dimensions	mm
Ⓐ Height below countertop datum to bottom of chassis	203
Ⓑ Overall height of product (bottom of chassis to top of grates)	253
Ⓒ Overall width of cooktop	911
Ⓓ Overall depth of cooktop	714
Ⓔ Height above countertop datum to top of grates	50
Ⓕ Height from countertop datum to chassis top surface	10
Ⓖ Height of chassis	213
Ⓗ Depth from rear of chassis to cabinetry datum - projecting	614
Ⓘ Depth from rear of chassis to cabinetry datum - flush	677
Ⓚ Depth of control panel	64
Ⓛ Distance from left edge of chassis to centre line of gas inlet	63
Ⓜ Distance from left edge of chassis to centre line of power cord	267
Ⓝ Distance from rear edge of chassis to centre line of gas/power	42

Cutout Dimensions	mm
Overall height of cutout	203
Overall width of cutout	min 914
Overall depth of cutout for projecting control panel	max 614
Overall depth of cutout for flush control panel	max 678



PLAN VIEW



FRONT VIEW

PROFILE VIEW



CABINET FACE FOR INSTALLATION
WITH FLUSH CONTROL PANEL

CABINET FACE FOR INSTALLATION
WITH PROJECTING CONTROL PANEL

INDICATES CABINETRY DATUM -----
INDICATES CUTOUT -----

DATE: **02.05.2018**

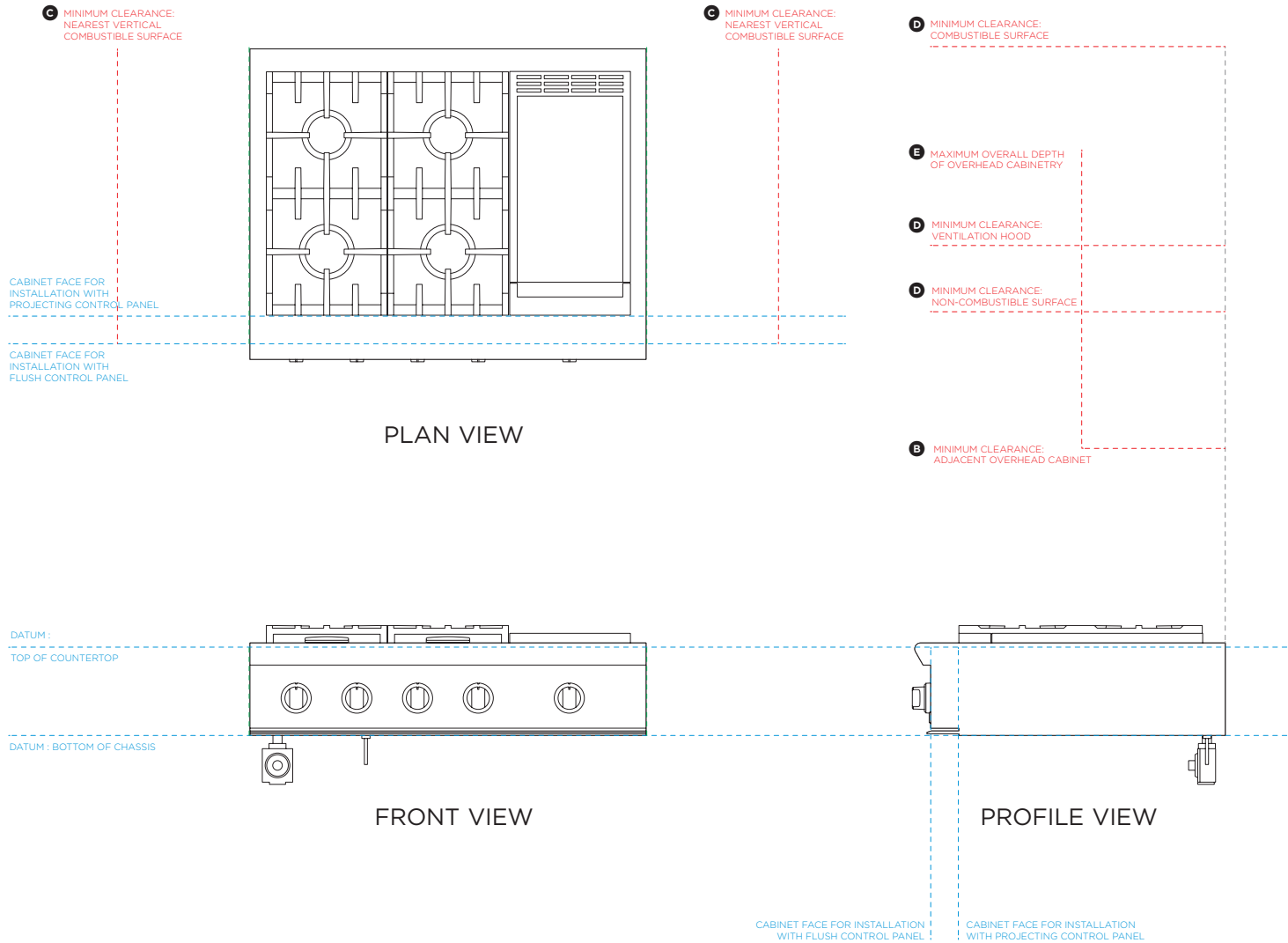
IMPORTANT: Throughout this guide, dimensions may vary by $\pm 2\text{mm}$ (1/16"). Read the installation guide for detailed information on installing the product. For full installation instructions and specifications visit fisherpaykel.com

FISHER & PAYKEL

CLEARANCE DIMENSIONS 36" Professional Gas Cooktop

Model no:
CPV2-364GD

Cabinetry Dimensions	mm
Ⓐ Minimum width of ventilation hood installed above cooktop - not shown*	914
Ⓒ Minimum vertical distance between countertop and cabinet extending above counter	457
Ⓒ Minimum clearance from left and right edge of range to nearest vertical combustible surface	305
Ⓓ Minimum clearance from cooking surface to: - combustible surface centered above the cooking surface - combustible covering for ventilation hood centered above the cooking surface	1372
- non-combustible surface centered above the cooking surface	914
Ⓔ Maximum overall depth of overhead cabinetry	330



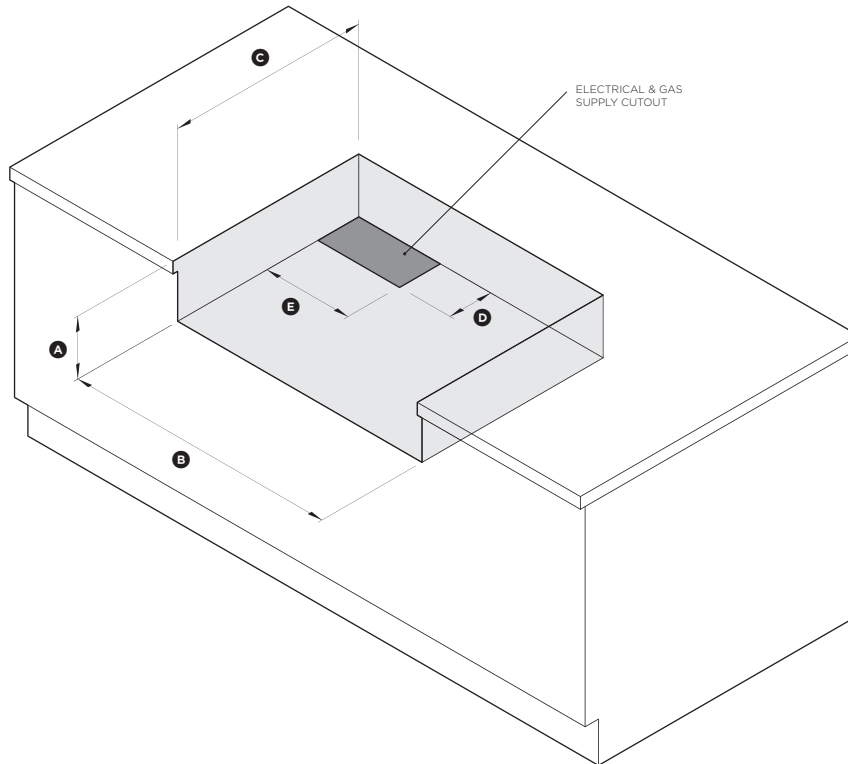
INDICATES CABINETRY CLEARANCES - - - - -
INDICATES PRODUCT DATUM - - - - -

DATE: **02.05.2018**

IMPORTANT: Throughout this guide, dimensions may vary by $\pm 2\text{mm}$ (1/16"). Read the installation guide for detailed information on installing the product. For full installation instructions and specifications visit fisherpaykel.com

FISHER & PAYKEL

CAVITY PREPARATION 36" Professional Gas Cooktop



Model no:
CPV2-364GD

Cavity Dimensions	mm
Ⓐ Overall height of cutout	203
Ⓒ Overall width of cutout	min 914
Ⓓ Overall depth of cutout for projecting control panel	max 614
Overall depth of cutout for flush control panel	max 678

Electrical and Gas Supply Cutout	mm
Ⓔ Depth of supply area from rear of cutout	152
Ⓕ Width of supply area from left side of cutout	305

Specifications	36" Models
Electrical	
Supply	120 VAC, 60Hz
Max. Current Draw	15 amp
Service	15 amp circuit
Gas - Natural	
Connection	1/2" NPT Minimum 5/8" dia. flex line
Supply Pressure	Supply Pressure: 6" to 9" W.C.
Gas - LP	
Connection	1/2" NPT Minimum 5/8" dia. flex line
Supply Pressure*	11" to 14" W.C.

A regulator is required at the LP source to provide a maximum pressure of 14" W.C. to the cooktop regulator.

DATE: **02.05.2018**

IMPORTANT: Throughout this guide, dimensions may vary by ±2mm (1/16"). Read the installation guide for detailed information on installing the product. For full installation instructions and specifications visit fisherpaykel.com

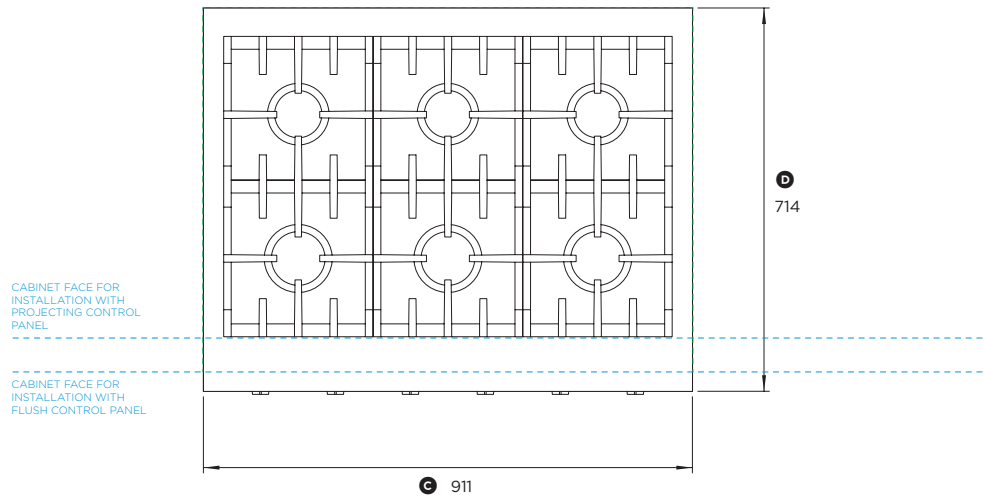
FISHER & PAYKEL

PRODUCT & CAVITY DIMENSIONS 36" Professional Gas Cooktop

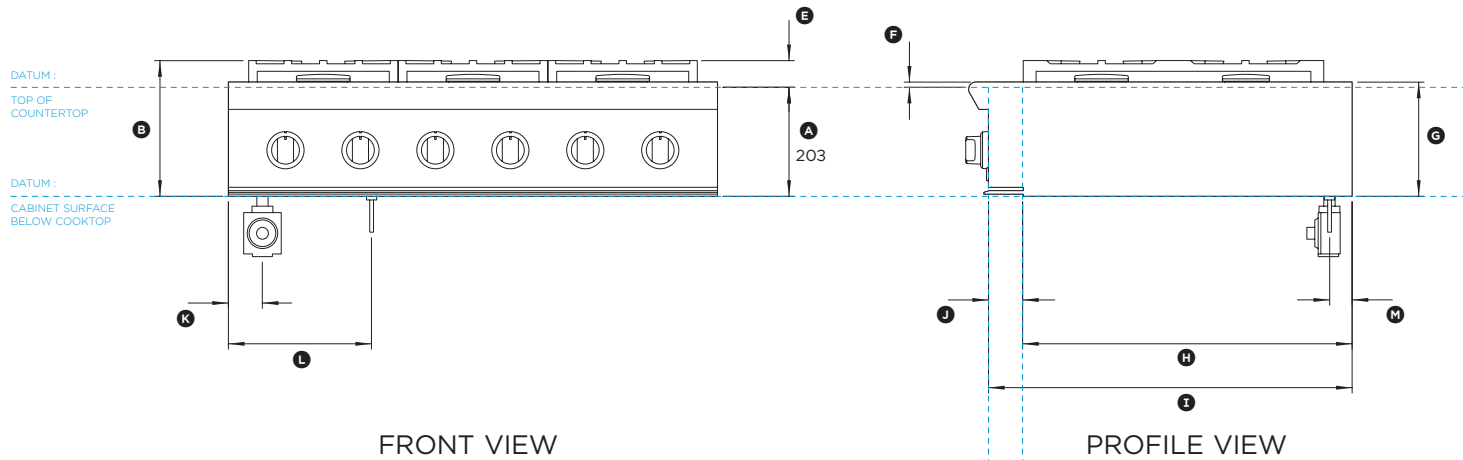
Model no:
CPV2-366

Product Dimensions	mm
Ⓐ Height below countertop datum to bottom of chassis	203
Ⓑ Overall height of product (bottom of chassis to top of grates)	253
Ⓒ Overall width of cooktop	911
Ⓓ Overall depth of cooktop	714
Ⓔ Height above countertop datum to top of grates	50
Ⓕ Height from countertop datum to chassis top surface	10
Ⓖ Height of chassis	213
Ⓗ Depth from rear of chassis to cabinetry datum - projecting	614
Ⓘ Depth from rear of chassis to cabinetry datum - flush	677
Ⓚ Depth of control panel	64
Ⓛ Distance from left edge of chassis to centre line of gas inlet	63
Ⓜ Distance from left edge of chassis to centre line of power cord	267
Ⓝ Distance from rear edge of chassis to centre line of gas/power	42

Cutout Dimensions	mm
Overall height of cutout	203
Overall width of cutout	min 914
Overall depth of cutout for projecting control panel	max 614
Overall depth of cutout for flush control panel	max 678



PLAN VIEW



FRONT VIEW

PROFILE VIEW



INDICATES CABINETRY DATUM -----
INDICATES CUTOUT -----

DATE: **02.05.2018**

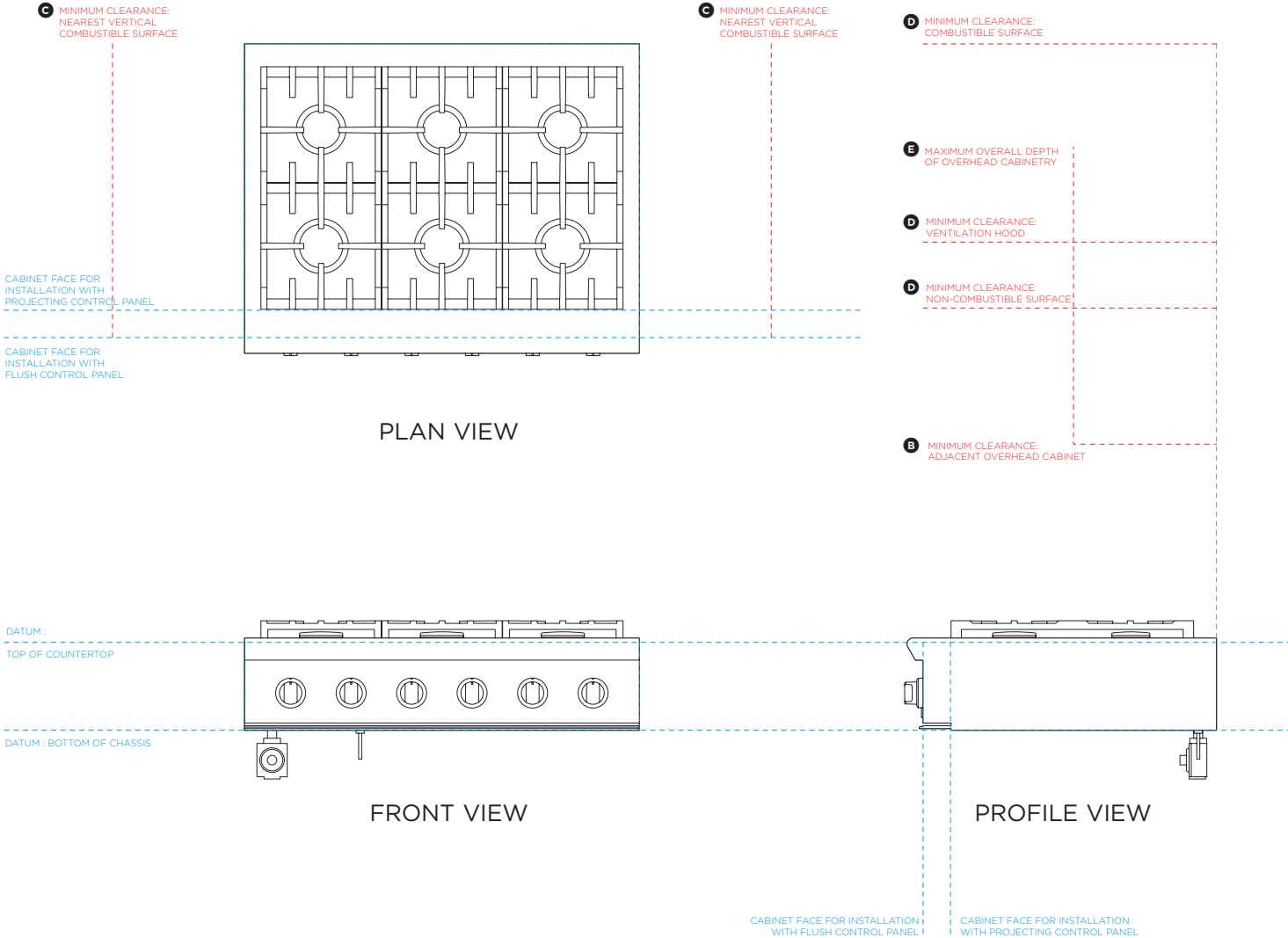
IMPORTANT: Throughout this guide, dimensions may vary by $\pm 2\text{mm}$ (1/16"). Read the installation guide for detailed information on installing the product. For full installation instructions and specifications visit fisherpaykel.com

FISHER & PAYKEL

CLEARANCE DIMENSIONS 36" Professional Gas Cooktop

Model no:
CPV2-366

Cabinetry Dimensions	mm
Ⓐ Minimum width of ventilation hood installed above cooktop - not shown*	914
Ⓞ Minimum vertical distance between countertop and cabinet extending above counter	457
Ⓢ Minimum clearance from left and right edge of range to nearest vertical combustible surface	305
Ⓣ Minimum clearance from cooking surface to: - combustible surface centered above the cooking surface - combustible covering for ventilation hood centered above the cooking surface	1372
- non-combustible surface centered above the cooking surface	914
Ⓤ Maximum overall depth of overhead cabinetry	330



INDICATES CABINETRY CLEARANCES - - - - -
INDICATES PRODUCT DATUM - - - - -

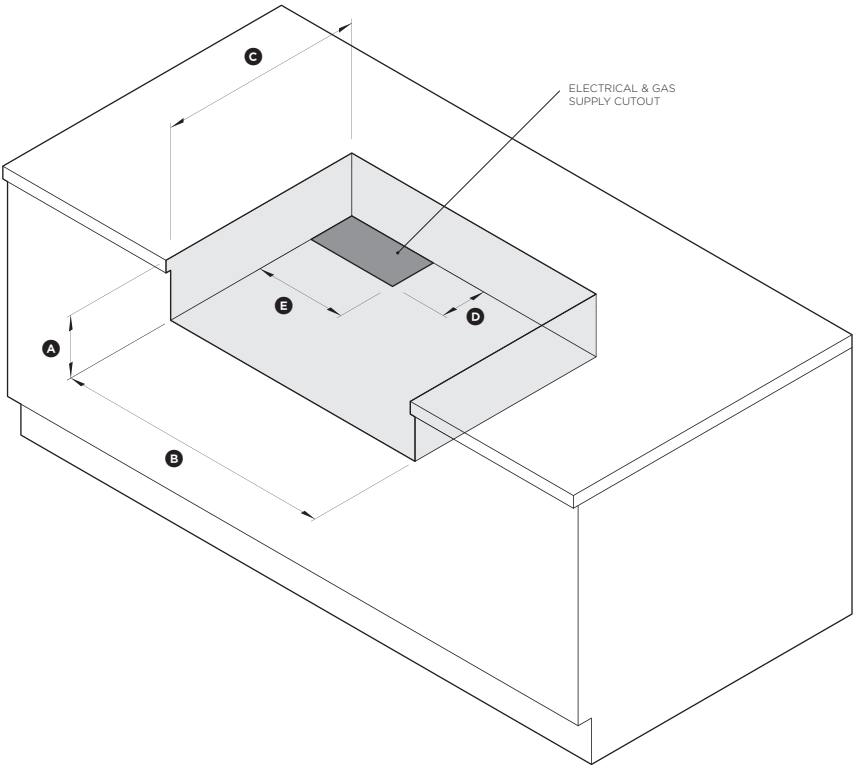
DATE: **02.05.2018**

IMPORTANT: Throughout this guide, dimensions may vary by $\pm 2\text{mm}$ (1/16"). Read the installation guide for detailed information on installing the product. For full installation instructions and specifications visit fisherpaykel.com



FISHER & PAYKEL

CAVITY PREPARATION 36" Professional Gas Cooktop



Model no:
CPV2-366

Cavity Dimensions	mm
Ⓐ Overall height of cutout	203
Ⓒ Overall width of cutout	min 914
Ⓓ Overall depth of cutout for projecting control panel	max 614
Overall depth of cutout for flush control panel	max 678

Electrical and Gas Supply Cutout	mm
Ⓔ Depth of supply area from rear of cutout	152
Ⓕ Width of supply area from left side of cutout	305

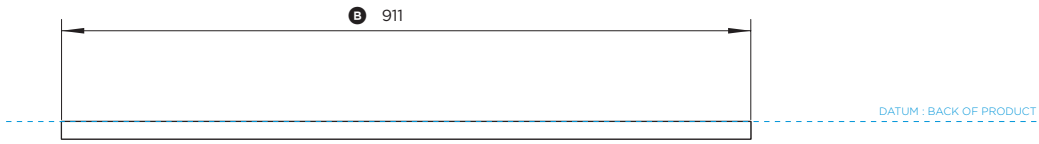
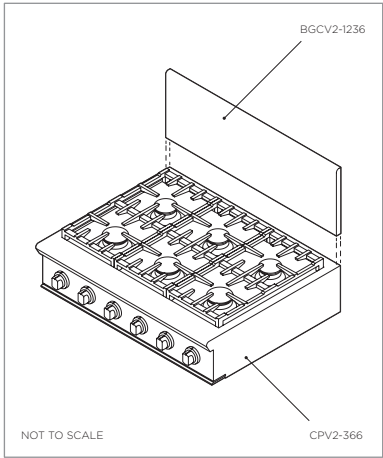
Specifications	36" Models
Electrical	
Supply	120 VAC, 60Hz
Max. Current Draw	15 amp
Service	15 amp circuit
Gas - Natural	
Connection	1/2" NPT Minimum 5/8" dia. flex line
Supply Pressure	Supply Pressure: 6" to 9" W.C.
Gas - LP	
Connection	1/2" NPT Minimum 5/8" dia. flex line
Supply Pressure*	11" to 14" W.C.

A regulator is required at the LP source to provide a maximum pressure of 14" W.C. to the cooktop regulator.

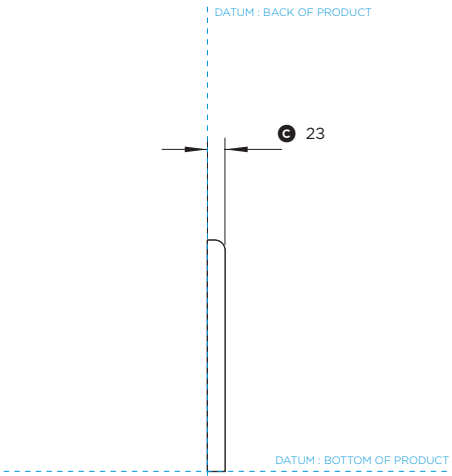
DATE: **02.05.2018**

IMPORTANT: Throughout this guide, dimensions may vary by ±2mm (1/16"). Read the installation guide for detailed information on installing the product. For full installation instructions and specifications visit fisherpaykel.com

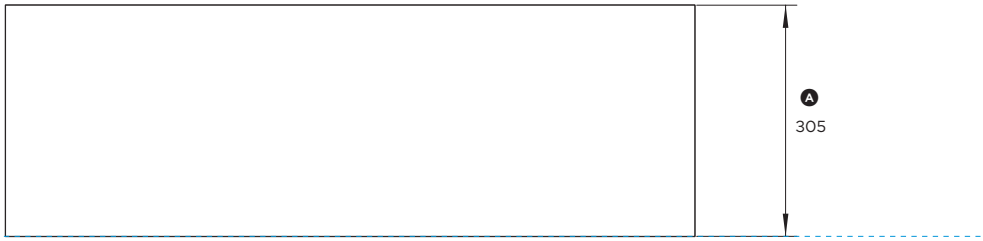
FISHER & PAYKEL



PLAN VIEW



PROFILE VIEW



FRONT VIEW

Model no:
BGCV2-1236

Product Dimensions	mm
Ⓐ Overall height of backguard	305
Ⓑ Overall width of backguard	911
Ⓒ Overall depth of backguard	23

INDICATES PRODUCT DATUM -----



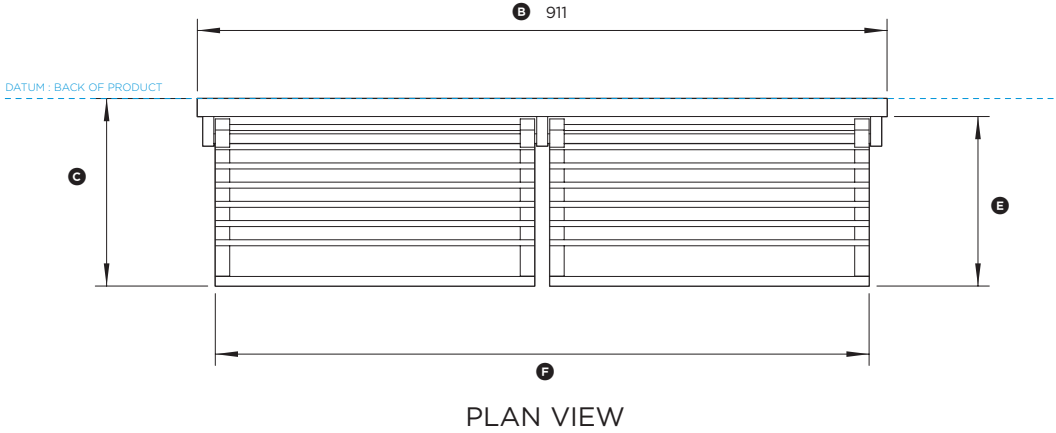
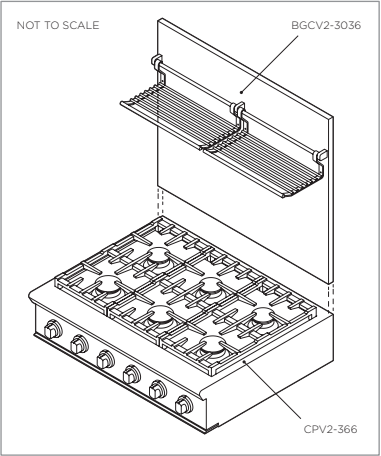
DATE: **02.05.2018**

IMPORTANT: Throughout this guide, dimensions may vary by ±2mm (1/16"). Read the installation guide for detailed information on installing the product. For full installation instructions and specifications visit fisherpaykel.com



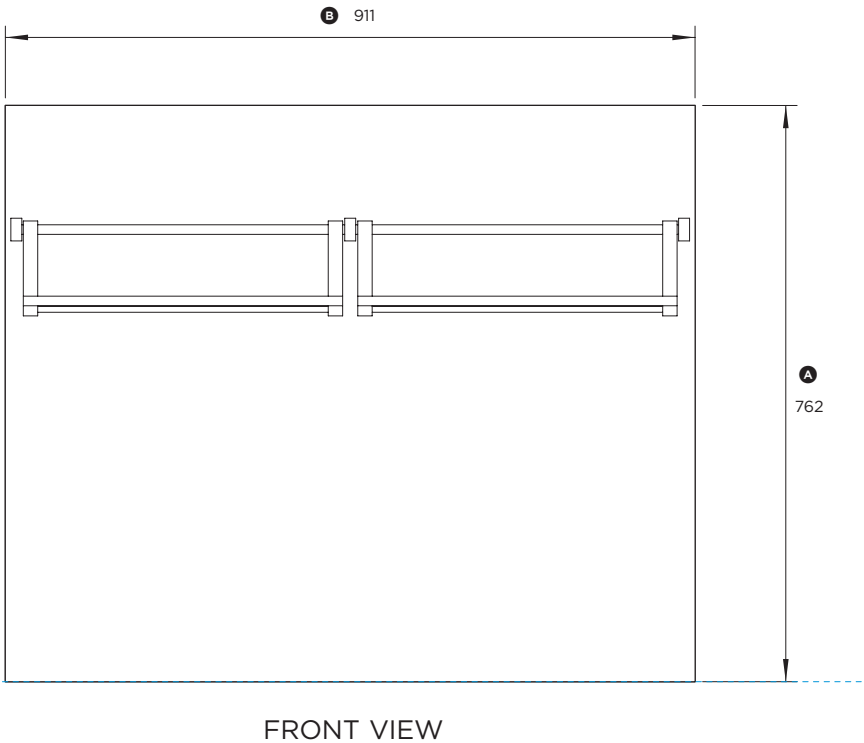
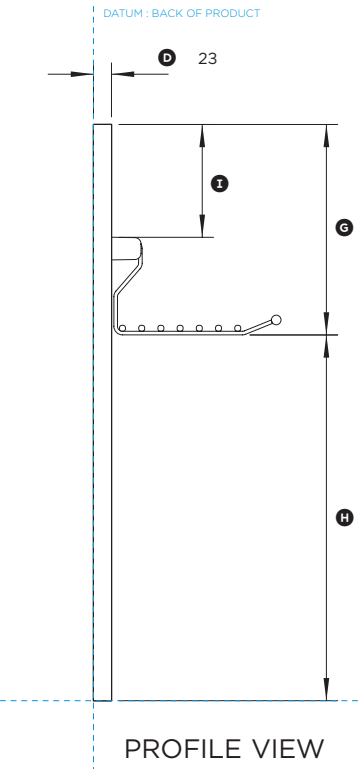
FISHER & PAYKEL

PRODUCT DIMENSIONS 36" Professional Cooktop Backguard



Model no:
BGCV2-3036

Product Dimensions	mm
Ⓐ Overall height of backguard	762
Ⓑ Overall width of backguard	911
Ⓒ Overall depth of backguard and racks	248
Ⓓ Depth of backguard	23
Ⓔ Depth of racks	224
Ⓕ Width of racks	865
Ⓖ Distance from top of backguard to bottom of racks	278
Ⓗ Distance from bottom of backguard to bottom of racks	484
Ⓘ Distance from top of backguard to top of brackets	150



DATE: **02.05.2018**

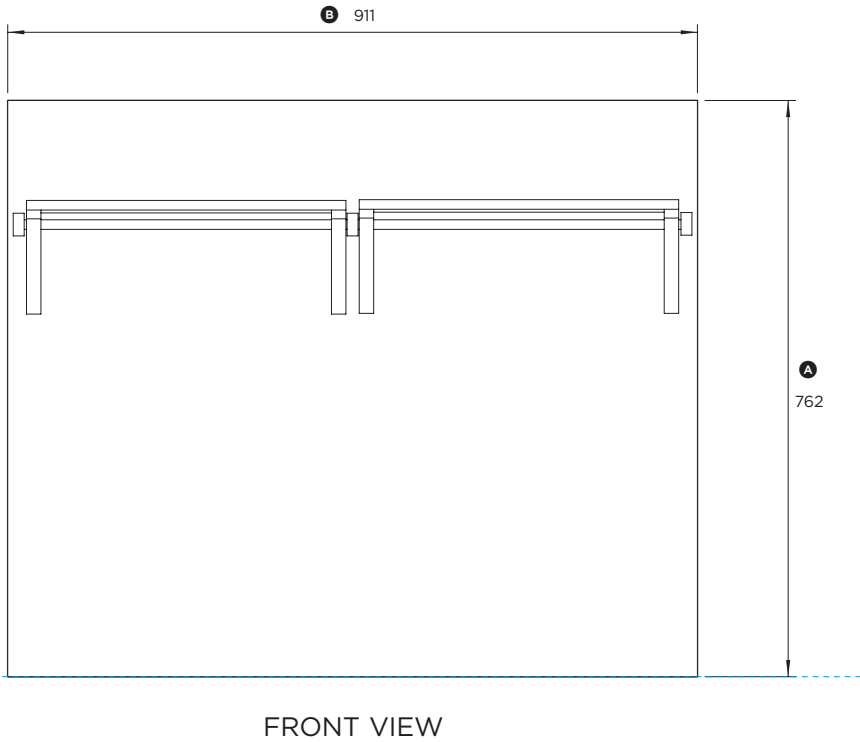
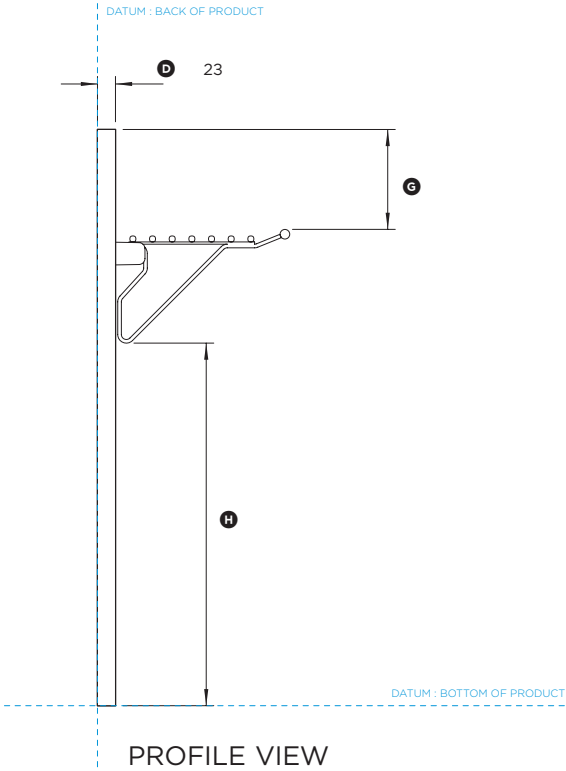
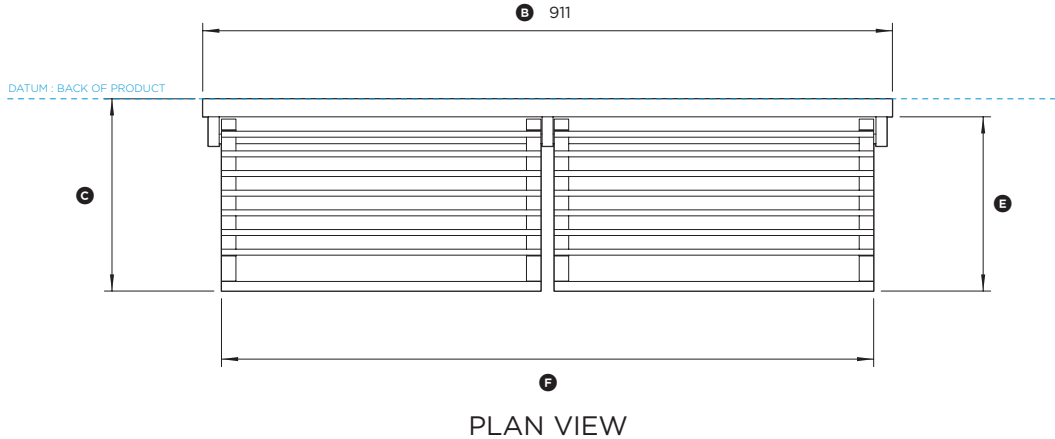
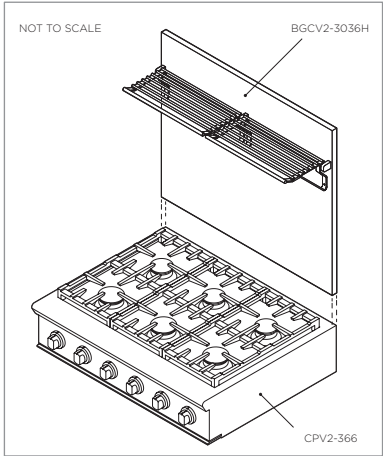
IMPORTANT: Throughout this guide, dimensions may vary by ±2mm (1/16"). Read the installation guide for detailed information on installing the product. For full installation instructions and specifications visit fisherpaykel.com

FISHER & PAYKEL

PRODUCT DIMENSIONS 36" Professional Cooktop Backguard

Model no:
BGCV2-3036H

Product Dimensions	mm
Ⓐ Overall height of backguard	762
Ⓑ Overall width of backguard	911
Ⓒ Overall depth of backguard and racks	254
Ⓓ Depth of backguard	23
Ⓔ Depth of racks	230
Ⓕ Width of racks	862
Ⓖ Distance from top of backguard to top of racks	136
Ⓗ Distance from bottom of backguard to bottom of racks	480



DATE: **02.05.2018**

IMPORTANT: Throughout this guide, dimensions may vary by ±2mm (1/16"). Read the installation guide for detailed information on installing the product. For full installation instructions and specifications visit fisherpaykel.com

IMPORTANT: The product dimensions and specifications apply at the date of issue. Under our policy of continuous product improvement, these dimensions and specifications may change at any time. Dimensions may vary by $\pm 2\text{mm}$ (1/16"). Please read the installation guide for detailed information on installing the product or visit fisherpaykel.com.

May 2018

