

OPERATING INSTRUCTIONS AND OWNER'S MANUAL



FORCED-AIR PROPANE CONSTRUCTION HEATER

Model #

MH400FAVT

READ INSTRUCTIONS CAREFULLY: Read and follow all instructions. Place instructions in a safe place for future reference. Do not allow anyone who has not read these instructions to assemble, light, adjust, or operate the heater.



WARNING: If the information in this manual is not followed exactly, a fire or explosion may result causing property damage, personal injury or loss of life.

- Do not store or use gasoline or other flammable vapors and liquids in the vicinity of this or any other appliance.
- An LP cylinder not connected for use shall not be stored in the vicinity of this or any other appliance.
- WHAT TO DO IF YOU SMELL GAS
 - Do not try to light appliance.
 - Extinguish any open flame.
 - Shut off gas to appliance.
- Service must be performed by a qualified service agency.

This is an unvented gas-fired portable heater. It uses air (oxygen) from the area in which it is used. Adequate combustion and ventilation air must be provided. Refer to page 3.

WARNING:

⚠ YOUR SAFETY IS IMPORTANT TO YOU AND TO OTHERS, SO PLEASE READ THESE INSTRUCTIONS BEFORE YOU OPERATE THIS HEATER.

GENERAL HAZARD WARNING:

- ⚠ FAILURE TO COMPLY WITH THE PRECAUTIONS AND INSTRUCTIONS PROVIDED WITH THIS HEATER CAN RESULT IN DEATH, SERIOUS BODILY INJURY AND PROPERTY LOSS OR DAMAGE FROM HAZARDS OF FIRE, EXPLOSION, BURN, ASPHYXIATION, CARBON MONOXIDE POISONING, AND/OR ELECTRICAL SHOCK.
- ⚠ ONLY PERSONS WHO CAN UNDERSTAND AND FOLLOW THE INSTRUCTIONS SHOULD USE OR SERVICE THIS HEATER.
- ⚠ IF YOU NEED ASSISTANCE OR HEATER INFORMATION SUCH AS AN INSTRUCTIONS MANUAL, LABELS, ETC. CONTACT THE MANUFACTURER.

WARNING:

⚠ NOT FOR HOME OR RECREATIONAL VEHICLE USE.

WARNING:

⚠ FIRE, BURN, INHALATION, AND EXPLOSION HAZARD. KEEP SOLID COMBUSTIBLES, SUCH AS BUILDING MATERIALS, PAPER, OR CARDBOARD A SAFE DISTANCE AWAY FROM THE HEATER AS RECOMMENDED BY THE INSTRUCTIONS NEVER USE THE HEATER IN SPACES WHICH DO OR MAY CONTAIN VOLATILE OR AIRBORNE COMBUSTIBLES OR PRODUCTS SUCH AS GASOLINE, SOLVENTS, PAINT THINNER, DUST PARTICLES, OR UN-KNOWN CHEMICALS.

THE STATE OF CALIFORNIA REQUIRES THE FOLLOWING WARNING:

WARNING:

COMBUSTION BY-PRODUCTS PRODUCED WHEN USING THIS PRODUCT CONTAIN CARBON MONOXIDE, A CHEMICAL KNOWN TO THE STATE OF CALIFORNIA TO CAUSE CANCER AND BIRTH DEFECTS (OR OTHER REPRODUCTIVE HARM).

THIS PRODUCT CONTAINS CHEMICALS KNOWN TO THE STATE OF CALIFORNIA TO CAUSE CANCER AND BIRTH DEFECTS OR OTHER REPRODUCTIVE HARM.

CONTENTS

Specifications.....	2
Operating Precautions.....	3
Safety Precautions.....	3
Odor Fade Warning	4
Operating Instructions	5
Storage & Service	5
Wiring Diagram	6
Parts List.....	7
Exploded View Drawing	7

SPECIFICATIONS

MODEL NO.	400FAVT
GAS TYPE.....	Propane
BTU RATING	210,000-400,000 BTU/hr (61.5 – 117 kW)
GAS SUPPLY PRESSURE TO REGULATOR	
Maximum: Bottle Pressure , Minimum: 20 psig (0.14 MPa)	
REGULATOR OUT.....	20 psig (0.14 MPa)
ELECTRICAL INPUT	115V, 60 Hz, 1Ø, 5.5a
IGNITION.....	Direct Spark, interrupted type
PRIMARY FLAME CONTROL..	SolidState, 10-15 sec. timing
HIGH TEMPERATURE CONTROL	
	240 F (116 C)
	Minimum Ambient Temp Rating: 0 F (-17.8 C)
FUEL CONSUMPTION	9.3- 18.5 lbs/hr (4.2 – 8.4 kg/hr)
FUEL ORIFICE PORT NO.: 1
FUEL ORIFICE PORT SIZE:.....	2.35 MM
HEATED AIR OUTPUT:.....	1400 CFM (39.6 CU-M/M)

OPERATING PRECAUTIONS

This is a propane, direct-fired, forced air heater. Its intended use is primarily temporary heating of buildings under construction, alteration, or repair.

Propane is heavier than air. If propane leaks from a connection or fitting, it sinks to the floor, collecting there with the surrounding air, forming a potentially explosive mixture. Obviously, propane leaks should be avoided, so set up the propane supply with utmost care. Read enclosed Odor Fade and Propane Sheet for additional information about detecting propane leaks. Leak check new connections or reconnections with a soap and water solution and follow all connection instructions herein. Also, ask your propane dealer for advice on the propane application and supply installation and ask him to check it if there are any questions.

This heater was designed and certified for use as a construction heater in accordance with ANSI Standard Z83.7/CGA 2.14. Check with your local fire safety authority if you have any questions about your applications. Other standards govern the use of fuel gases and heat producing products in specific applications. Your local authority can advise you about these.

Direct-Fired means that all of the combustion products enter the heated space. Even though this heater operates very close to 100 percent combustion efficiency, it still produces small amounts of carbon monoxide. Carbon monoxide (called CO) is toxic. We can tolerate small amounts but not a lot. CO can build up in a heated space and failure to provide adequate ventilation could result in death.

The symptoms of inadequate ventilation are:

- headache
- dizziness
- burning eyes and nose
- nausea
- dry mouth or sore throat

So, be sure to follow advice about ventilation in these operating instructions.

Forced Air means that a blower or fan pushes the air through the heater. Proper combustion depends upon this air flow; therefore, the heater must not be revised, modified, or operated with parts removed or missing. Likewise, safety systems must not be circumvented or modified in order to operate the heater.

When the heater is to be operated in the presence of other people, the user is responsible for properly acquainting those present with the safety precautions, instructions, and of the hazards involved.

Figure 1

VENTILATION: Minimum openings required

Heater	Opening near floor	Opening near ceiling
Forced air (400 FAVT)	3.5 ft ²	3.5 ft ²

SAFETY PRECAUTIONS

1. Check the heater thoroughly for damage. DO NOT operate a damaged heater.
2. DO NOT modify the heater or operate a heater which has been modified from its original condition.
3. Use only propane gas.
4. Use only VAPOR WITHDRAWAL propane supply. If there is any question about vapor withdrawal, ask your propane dealer.
5. Mount the propane cylinders vertically (shutoff valve up). Secure them from falling or being knocked over and protect them from damage.
6. Locate propane containers at least (USA) 7 ft. (2.13m), (Canada) 10 ft. (3m) from the heater and **do not** direct exhaust toward containers.
7. **IMPORTANT** Use only the hose and regulator assembly provided with the heater. Match the color stripe on the hangtag attached to the hose assembly with the color on the label located near the propane inlet fitting on the heater. Inspect hose assembly before each use of the heater. If there is excessive abrasion or wear, or hose is cut, replace with hose assembly listed on parts list before using heater.
8. For indoor use only. Area must be well ventilated. **Figure 1** (also see "Operating Precautions").
9. If at any time gas odor is detected, IMMEDIATELY DISCONTINUE operation until the source of gas has been located and corrected. Read enclosed Odor fade and Propane Sheet for additional information about detecting propane leaks.
10. Install the heater such that it is not directly exposed to water spray, rain and/or dripping water.
11. Maintain minimum clearance from normal combustible material (like paper). **Figure 2**
12. Due to the high surface and exhaust temperatures, adults and children must observe clearances to avoid burns or clothing ignition.
13. Operate only on a stable, level surface.
14. Do not use with ductwork. Do not restrict inlet or exit.
15. Use only the electrical power specified. The electrical connection and grounding must comply with National Electrical Code - ANSI/NFPA 70 (USA) and CSA C22.1 Canadian Electrical Code, Part 1 (Canada).
16. Use only a properly grounded 3-prong receptacle or extension cord.
17. Do not move, handle or service while hot or burning.
18. Use only in accordance with local codes or, in the absence of local codes, with the Standard for the Storage and Handling of Liquefied Petroleum Gases ANSI/NFPA 58 and CSA B149.1, Natural Gas and Propane Installation Code.

Figure 2

MINIMUM CLEARANCE: From normal combustible material

Clearance	Forced Air 400FAVT
From floor.....	0 ft
From outlet.....	8 ft
From sides.....	2 ft
From top.....	3 ft
Locate 10 ft. from canvas or plastic tarpaulins or similar coverings and secure them to prevent flapping or movement due to wind action.	

ODOR FADE WARNING



WARNING Asphyxiation Hazard

- Do not use this heater for heating human living quarters.
- Do not use in unventilated areas.
- The flow of combustion and ventilation air must not be obstructed.
- Proper ventilation air must be provided to support the combustion air requirements of the heater being used.
- Refer to the specification section of the heater's manual, heater dataplate, or contact the Factory to determine combustion air ventilation requirements of the heater.
- Lack of proper ventilation air will lead to improper combustion.
- Improper combustion can lead to carbon monoxide poisoning leading to serious injury or death. Symptom of carbon monoxide poisoning can include headaches, dizziness, and difficulty in breathing.

FUEL GAS ODOR

LP gas and natural gas have man-made odorants added specifically for detection of fuel gas leaks.

If a gas leak occurs you should be able to smell the fuel gas. Since Propane (LP) is heavier than air you should smell for the gas odor low to the floor. ANY GAS ODOR IS YOUR SIGNAL TO GO INTO IMMEDIATE ACTION!

- Do not take any action that could ignite the fuel gas. Do not operate any electrical switches. Do not pull any power supply or extension cords. Do not light matches or any other source of flame. Do not use your telephone.
- Get everyone out of the building and away from the area immediately.
- Close all propane (LP) gas tank or cylinder fuel supply valves, or the main fuel supply valve located at the meter if you use natural gas.
- Propane (LP) gas is heavier than air and may settle in low areas. When you have reason to suspect a propane leak, keep out of all low areas.
- Use your neighbor's phone and call your fuel gas supplier and your fire department. Do not re-enter the building or area.
- Stay out of the building and away from the area until declared safe by the firefighters and your fuel gas supplier.
- FINALLY, let the fuel gas service person and the firefighters check for escaped gas. Have them air out the building and area before you return. Properly trained service people must repair any leaks, check for further leakages, and then relight the appliance for you.

ODOR FADING - NO ODOR DETECTED

- Some people cannot smell well. Some people cannot smell the odor of the man-made chemical added to propane (LP) or natural gas. You must determine if you can smell the odorant in these fuel gases.
- Learn to recognize the odor of propane (LP) gas and natural gas. Local propane (LP) gas dealers will be more than happy to give you a scratch and sniff pamphlet. Use it to become familiar with the fuel gas odor.

- Smoking can decrease your ability to smell. Being around an odor for a period of time can affect your sensitivity to that particular odor. Odors present in animal confinement buildings can mask fuel gas odor.
- The odorant in propane (LP) gas and natural gas is colorless and the intensity of its odor can fade under some circumstances.
- If there is an underground leak, the movement of gas through the soil can filter the odorant.
- Propane (LP) gas odor may differ in intensity at different levels. Since Propane (LP) gas is heavier than air, there may be more odor at lower levels.
- Always be sensitive to the slightest gas odor. **If you continue to detect any gas odor, no matter how small, treat it as a serious leak. Immediately go into action as discussed previously.**

ATTENTION - CRITICAL POINTS TO REMEMBER!

- Propane (LP) gas has a distinctive odor. Learn to recognize these odors. (Reference Fuel Gas Odor and Odor Fading sections above)
- Even if you are not properly trained in the service and repair of the heater, ALWAYS be consciously aware of the odors of propane (LP) gas and natural gas.
- If you have not been properly trained in repair and service of propane (LP) gas, then do not attempt to light heater, perform service or repairs, or make any adjustments to the heater or the propane (LP) gas fuel system.
- A periodic sniff test around the heater or at the heater's joints (i.e. hose, connections, etc.), is a good safety practice under any conditions. If you smell even a small amount of gas, CONTACT YOUR FUEL GAS SUPPLIER IMMEDIATELY. DO NOT WAIT!

OPERATING INSTRUCTIONS

PREPARING FOR OPERATION

1. Check the heater for possible shipping damage. If any is found, immediately notify the factory.
2. Follow all of the "Precautions".
3. Connect the POL fitting of hose and regulator assembly to the propane cylinder by rotating the POL nut counterclockwise into the propane cylinder's valve outlet and securely tighten with a wrench.
4. Connect the hose to the heater by rotating the hose fitting clockwise.
5. Securely tighten all gas connections.
6. Open the cylinder's gas valve and check all gas connections with a soap and water solution. **DO NOT USE A FLAME.**
7. Connect power cord to well-grounded 115V, 60 Hz, 1Ø source of power.
8. When using an extension cord, make certain that it is a 3-wire (grounded) cord of proper wire size.

START

1. Slowly open the main valve at propane cylinder to prevent excess flow check valve from closing.
2. Set thermostat to full on. Heater will ignite automatically.
3. Adjust ball valve on control panel to desired burn rate.
4. Set thermostat to desired temperature. Heater will turn off and on automatically as the temperature varies in the heater area.

STOP

1. Securely close valve on the propane cylinder.
2. Continue to operate heater until all fuel in the hose has burned.
3. Turn the heater thermostat to "off". For extended shut down or in areas where the temperature is below 0 F, unplug the heater.

RESTART AFTER SAFETY SHUTDOWN

1. Securely close valve at propane cylinder. Unplug heater.
2. Wait 5 minutes.
3. Restart following "Start" procedure.

MAINTENANCE AND STORAGE

1. The heater should be inspected before each use, and at least annually by a qualified person.
2. Before each use, check the soft "O" ring seat at the bullnose of the POL fitting. If the "O" ring is cut, scuffed, or otherwise damaged, replace it with part number 6681. [Is this the right #?]
3. Turn off the gas at the LP-gas supply cylinder(s) when the heater is not in use.
4. When the heater is to be stored indoors, the connection between the LP-gas supply cylinder(s) and the heater must be disconnected and the cylinder(s) removed from the heater and stored out of doors and in accordance with Chapter 5 of the standard for Storage and Handling of Liquefied Petroleum Gases ANSI/NFPA 58 and CSA B149.1, Natural Gas and Propane Installation Code.

SERVICING

A hazardous condition may result if a heater is used that has been modified or is not functioning properly.

When the heater is working properly:

- The flame is contained within the heater.
- The flame is essentially blue with perhaps some yellow tipping.
- There is no strong disagreeable odor, eye burning, or other physical discomfort.
- There is no smoke or soot internal or external to the heater.
- There are no unplanned or unexplained shut downs of the heater.

The parts lists and wiring diagram show the heater as it was constructed. Do not use a heater which is different from that shown. In this regard, use only the hose, regulator and cylinder connection fitting (called a POL fitting) supplied with the heater. **IMPORTANT** Match the color stripe on the hangtag attached to the hose assembly with the color on the label located near the propane inlet fitting on the heater. Do not use alternates. For this heater, the regulator must be set as shown in "specifications". If there is any uncertainty about the regulator setting, have it checked.

A heater which is not working right must be repaired, but only by a trained, experienced service person.

In-warranty products will be repaired with no charge for either parts or labor. Please include a brief statement indicating date, place of purchase, the nature of the problem and proof of purchase.

Out-of-warranty products will be repaired with a charge for parts and labor.

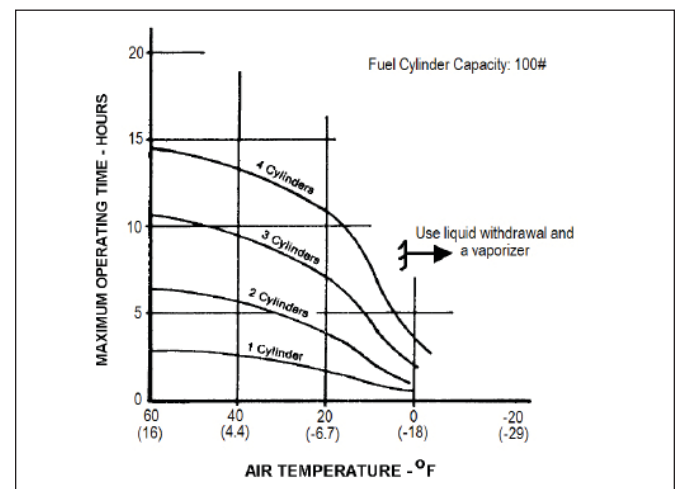
SIZE AND CAPACITY OF PROPANE CYLINDERS

The charts below show the approximate size of the cylinder required for these heaters. To use the chart:

1. Select the lowest air temperature expected (at the bottom of the chart).
2. Move straight up to time of operation desired (left side of the chart).
3. Read the cylinder size required.

All heaters should have:

Full cylinders with good air circulation and no frost on cylinders



HOW MUCH HEAT DO I REQUIRE?

For economy, it is important to match input heat to that required. But heat requirements often vary. For example, it usually takes a lot more heat to get things warm than it does to keep them that way. Likewise, outside air temperature usually changes during the day so you may need more heat at night than you do in the daytime. An approximation of the heat required can be found by using the chart below.

BTU'S PER HOUR REQUIRED				
Cubic feet of space to be heated	Temperature Rise Required (°F)*			
	20°	30°	40°	50°
5,000	14,000	20,000	27,999	34,000
7,000	19,000	28,000	38,000	47,000
10,000	27,000	40,000	54,000	67,000
15,000	40,000	60,000	80,000	100,00
20,000	54,000	80,000	107,000	133,000
30,000	80,000	120,000	160,000	200,000
50,000	133,000	200,000	266,000	333,000

WARNING: When using a thermostat controlled heater, its exit area should be protected from personnel and warnings posted of sudden startup.

Recommended Minimum Gauge for Cord Extensions

Wire Gauge Chart A.W.G.				
Name Plate 120V Amps.	Cord Length in Feet			
	25	50	100	150
5-6	18	16	14	12
6-8	18	16	12	10
8-12	18	14	12	10
10-12	16	14	10	8
12-14	16	12	10	8

400FAVT - WIRING CHART

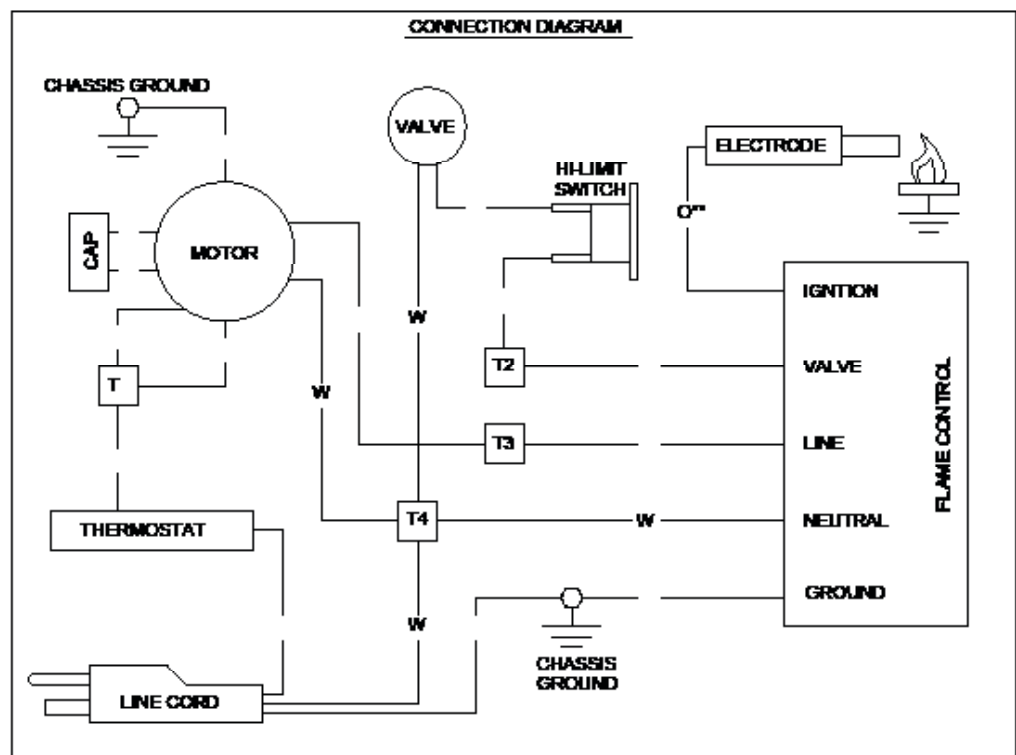
PART NO.	COLOR	LENGTH	FROM	TO
1100	White	7"	Valve	Terminal connection
1040	Black	6"	On/Off Switch	Terminal connection
1226	Red-(Hi-Temp)	16 1/2"	High Limit Switch	Valve
1226	Red-(Hi-Temp)	16 1/2"	High Limit Switch	Terminal connection
1070	Orange	11"	Flame Control (Ignition)	Spark Plug
1959	Green	7"	Flame Control (Harness)	Ground
1959	Red	7"	Flame Control (Harness)	Terminal connection
1959	White	6"	Flame Control (Harness)	Terminal connection
1959	Black	6"	Flame Control (Harness)	Terminal connection

Model #400FAVT WIRING DIAGRAM

COLOR CODE / LEGEND

- B BLACK
- L BLUE
- G GREEN
- O ORANGE
- R RED
- W WHITE
- T_ TERMINAL CONNECTION

If any original wiring as supplied by the heater must be replaced, it must be replaced with type AWG 105 C wire or its equivalent except as indicated (*type SF2-200, **SGI 250 C).





OPERATING INSTRUCTIONS AND OWNER'S MANUAL

Model #

MH400FAVT

READ INSTRUCTIONS CAREFULLY: Read and follow all instructions. Place instructions in a safe place for future reference. Do not allow anyone who has not read these instructions to assemble, light, adjust, or operate the heater.



WARNING:

USE ONLY MANUFACTURER'S REPLACEMENT PARTS. USE OF ANY OTHER PARTS COULD CAUSE INJURY OR DEATH. REPLACEMENT PARTS ARE ONLY AVAILABLE DIRECT FROM THE FACTORY AND MUST BE INSTALLED BY A QUALIFIED SERVICE AGENCY.

PARTS ORDERING INFORMATION:

PURCHASING: Accessories may be purchased at any Mr. Heater local dealer or direct from the factory.

FOR INFORMATION REGARDING SERVICE

Please call Toll-Free 800-251-0001 • www.mrheater.com

Our office hours are 8:00 AM – 5:00 PM, EST, Monday through Friday.

Email to: techservice@enerco-mrheater.com

Please include the model number, date of purchase, and description of problem in all communication.

LIMITED WARRANTY

The company warrants this product to be free from imperfections in material or workmanship, under normal and proper use in accordance with instructions of The Company, for a period of one year from the date of delivery to the buyer. The Company, at its option, will repair or replace products returned by the buyer to the factory, transportation prepaid within said one year period and found by the Company to have imperfections in material or workmanship.

If a part is damaged or missing, call our Technical Support Department at 800-251-0001.

Address any Warranty Claims to the Service Department, Mr. Heater, Inc., 4560 W. 160th St., Cleveland, Ohio 44135. Include your name, address, telephone number, and include details concerning the claim. Also, supply us with the purchase date and the name and address of the dealer from whom you purchased our product.

The foregoing is the full extent of the responsibility of the Company. There are no other warranties, express or implied. Specifically there is no warranty of fitness for a particular purpose and there is no warranty of merchantability. In no event shall the Company be liable for delay caused by imperfections, for consequential damages, or for any charges of the expense of any nature incurred without its written consent. The cost of repair or replacement shall be the exclusive remedy for any breach of warranty. There is no warranty against infringement of the like and no implied warranty arising from course of dealing or usage of trade. This warranty will not apply to any product which has been repaired or altered outside of the factory in any respect which in our judgment affects its condition or operation.

Some states do not allow the exclusion or limitation of incidental or consequential damages, so the above limitation or exclusion may not apply to you. This Warranty gives you specific legal rights, and you may have other rights which vary from state to state.

Mr. Heater, Inc., reserves the right to make changes at any time, without notice or obligation, in colors, specifications, accessories, materials, and models.

PRODUCT REGISTRATION: Thank you for your purchase.

Please log in to <http://www.egiregistration.com> to register your product.



ANSI Z83.7b/CSA2.14b-2009

MR. HEATER, INC., 4560 W. 160TH ST., CLEVELAND, OHIO 44135 • 800-251-0001

Mr. Heater is a registered trademark of Enerco Group, Inc.

© 2015, Enerco Group, Inc. All rights reserved



GUIDE D'UTILISATION ET MANUEL DU PROPRIÉTAIRE



APPAREIL DE CHAUFFAGE AU PROPANE À AIR PULSÉ POUR CHANTIER DE CONSTRUCTION

Modèle #

MH400FAVT

LISEZ SOIGNEUSEMENT LES INSTRUCTIONS : Lisez et observez toutes les instructions. Conservez ces instructions dans un endroit sécuritaire pour vous y référer ultérieurement. Ne permettez pas à quiconque n'ayant pas lu les présentes instructions d'assembler, d'allumer, de régler ou de faire fonctionner l'appareil.



AVERTISSEMENT : Le fait de ne pas respecter les instructions données dans le présent guide avec exactitude risque d'entraîner une explosion ou un incendie causant des dommages matériels, des blessures et des pertes de vie.

- N'entreposez ni n'utilisez d'essence ou autres liquides ou vapeurs inflammables à proximité de ce type d'appareil.
- Aucune bonbonne de propane liquéfié non raccordée pour utilisation ne doit se trouver à proximité de cet appareil, ni d'aucun autre appareil.
- EN PRÉSENCE D'UNE ODEUR DE GAZ
 - Ne tentez pas d'allumer l'appareil de chauffage.
 - Éteignez toute flamme nue.
 - Fermez l'alimentation en gaz à l'appareil.
- L'entretien doit être effectué par un fournisseur de services d'entretien qualifié.

Cet appareil de chauffage portatif alimenté au gaz n'est pas ventilé. Il utilise l'oxygène de l'air ambiant. Une circulation d'air adéquate doit être assurée pour la combustion et la ventilation. Voir page 3.

AVERTISSEMENT :

⚠ VOTRE SÉCURITÉ PERSONNELLE ÉTANT IMPORTANTE POUR TOUS, VEUILLEZ LIRE LES INSTRUCTIONS AVANT D'UTILISER CET APPAREIL DE CHAUFFAGE.

AVERTISSEMENT GÉNÉRAL DE DANGER :

⚠ LE NON-RESPECT DES MESURES DE PRÉVENTION ET INSTRUCTIONS FOURNIES AVEC CET APPAREIL DE CHAUFFAGE RISQUE DE CAUSER LA MORT, DES BLESSURES GRAVES ET DES DOMMAGES OU DES PERTES MATÉRIELLES RÉSULTANT D'INCENDIE, D'EXPLOSION, DE BRÛLURE, D'ASPHYXIE, D'INTOXICATION AU MONOXYDE DE CARBONE OU D'ÉLECTROCUTION.

⚠ SEULES LES PERSONNES APTES À COMPRENDRE ET À RESPECTER LES INSTRUCTIONS DEVRAIENT UTILISER OU EFFECTUER L'ENTRETIEN DE CET APPAREIL DE CHAUFFAGE.

⚠ SI VOUS AVEZ BESOIN D'AIDE OU D'INFORMATION AU SUJET DE L'APPAREIL DE CHAUFFAGE (MANUEL D'INSTRUCTIONS, ÉTIQUETTES, ETC.), VEUILLEZ COMMUNIQUER AVEC LE FABRICANT.

AVERTISSEMENT :

⚠ NON CONÇU POUR UNE UTILISATION DANS LA MAISON OU UN VÉHICULE RÉCRÉATIF

AVERTISSEMENT :

⚠ DANGER D'INCENDIE, D'EXPLOSION ET D'INHALATION. CONSERVEZ LES MATÉRIAUX COMBUSTIBLES TELS QUE LES MATÉRIAUX DE CONSTRUCTION, LE PAPIER ET LE CARTON À UNE DISTANCE SÉCURITAIRE DE L'APPAREIL DE CHAUFFAGE COMME LE RECOMMANDENT LES INSTRUCTIONS. N'UTILISEZ JAMAIS L'APPAREIL DE CHAUFFAGE DANS UN LOCAL QUI CONTIENT OU RISQUE DE CONTENIR DES PARTICULES COMBUSTIBLES EN SUSPENSION DANS L'AIR OU DES PRODUITS TELS QUE DE L'ESSENCE, DES SOLVANTS, DU DILUANT À PEINTURE, DES PARTICULES DE POUSSIÈRE OU DES PRODUITS CHIMIQUES INCONNUS.

L'ÉTAT DE CALIFORNIE EXIGE QUE L'AVERTISSEMENT SUIVANT SOIT FOURNI :

AVERTISSEMENT :

LES SOUS-PRODUITS DE COMBUSTION ÉMIS LORS DE L'UTILISATION DE CET APPAREIL CONTIENNENT DU MONOXYDE DE CARBONE, UN PRODUIT CHIMIQUE RECONNU PAR L'ÉTAT DE CALIFORNIE COMME POUVANT CAUSER LE CANCER ET DES MALFORMATIONS CONGÉNITALES (OU AUTRES DOMMAGES AU SYSTÈME REPRODUCTEUR).

CET APPAREIL CONTIENT DES PRODUITS CHIMIQUES RECONNUS PAR L'ÉTAT DE CALIFORNIE COMME POUVANT CAUSER LE CANCER ET DES MALFORMATIONS CONGÉNITALES OU AUTRES DOMMAGES AU SYSTÈME REPRODUCTEUR.

TABLE DES MATIÈRES

Spécifications.....	2
Précautions liées au fonctionnement.....	3
Précautions liées à la sécurité.....	3
Avertissement relatif aux substances odorantes.....	4
Instructions de fonctionnement.....	5
Entretien et entreposage.....	5
Schéma de câblage.....	6
Liste des pièces.....	7
Plan détaillé.....	7

SPÉCIFICATIONS

MODÈLE N° 400FAVT
TYPE DE GAZ..... Propane
COTE BTU 210000 à 400000 BTU/h
(de 61,5 à 117 kW)

PRESSIION DE L'ALIMENTATION EN GAZ AU RÉGULATEUR

Maximum : **Pression de la bonbonne,**
Minimum : **0,14 MPa (20 lb/po²)**

À LA SORTIE DU RÉGULATEUR..... 0,14 MPa(20lb/po²)
CONSOMMATION ÉLECTRIQUE..... 115 V, 60 Hz, 1 Ø, 5,5 A
ALLUMAGE..... Par étincelle, type interrompu
COMMANDE DE LA FLAMME..... Transistorisée, temporisation
De 10 à 15 secondes

COMMANDE DE TEMPÉRATURE

MAXIMALE..... 116 °C (240 °F)
Température ambiante min. : -17,8 °C (0 °F)

CONSOMMATION DE GAZ..... 4,2 à 8,4 kg/h (9.3- 18.5 lbs/hr)
NOMBRE D'ORIFICES DE COMBUSTIBLE : 1
DIMENSION DES ORIFICES : 2,35 mm
SORTIE D'AIR CHAUFFÉ : 39,6 M³/MIN. (1 400 PI³/MIN.)

PRÉCAUTIONS LIÉES AU FONCTIONNEMENT

Cet appareil de chauffage à air pulsé et à feu direct fonctionne au gaz propane. Il est destiné principalement à chauffer temporairement des édifices en construction, en rénovation ou en réparation.

Le gaz propane est plus lourd que l'air. Si du gaz propane fuit d'une connexion ou d'un raccord, il se dirige vers le plancher, se mélange avec l'air ambiant et forme un mélange potentiellement explosif. Évidemment, les fuites de gaz propane devraient être évitées ; il est donc important de raccorder l'alimentation en propane avec le plus grand soin. Veuillez lire le feuillet « Substance odorante et gaz propane » ci-joint pour obtenir plus de précisions relatives à la détection des fuites de gaz propane. Vérifiez la présence de fuite aux nouvelles connexions et raccords en utilisant un mélange d'eau et de savon et suivez les instructions mentionnées. Obtenez également les conseils de votre détaillant quant à votre installation au propane et posez-lui toute question que vous auriez à cet égard.

Cet appareil a été conçu et homologué pour être utilisé comme appareil de chauffage pour chantier de construction, conformément à la norme Z83.7/CGA 2.14 de l'ANSI. Soumettez à l'organisme local responsable de la sécurité et des incendies toute question relative à votre type d'installation. Selon le type d'application, d'autres normes peuvent s'appliquer et régir l'utilisation des produits de combustion, de gaz combustible et des appareils de chauffage. L'organisme local qui en est responsable saura vous conseiller à cet égard.

Le fonctionnement à feu direct de cet appareil signifie que tous les produits de combustion se retrouvent dans l'air ambiant. Même si l'efficacité de combustion de l'appareil de chauffage est presque complète, il produit quand même de petites quantités de monoxyde de carbone. Le monoxyde de carbone (appelé CO) est toxique. Notre organisme ne peut en supporter que de faibles quantités. Il est possible que le CO s'accumule dans le local à chauffer. Une ventilation inadéquate pourrait ainsi causer la mort.

Les symptômes ressentis en cas de ventilation inadéquate sont les suivants :

- mal de tête
- étourdissement
- sensation de brûlure au nez et aux yeux
- nausée
- mal de gorge ou bouche sèche

Assurez-vous donc de respecter les conseils au sujet de la ventilation mentionnés dans ces instructions.

Un appareil à air pulsé signifie que l'air est soufflé dans l'appareil de chauffage par un ventilateur. La qualité de la combustion dépend du débit d'air. Par conséquent, l'appareil de chauffage ne doit pas être modifié ni fonctionner si des pièces sont manquantes. Dans le même ordre d'idées, les systèmes de sécurité ne doivent pas être contournés ni modifiés pour faire fonctionner l'appareil.

Lorsque l'appareil de chauffage doit fonctionner en présence d'autres personnes, l'utilisateur est responsable d'informer ces dernières des instructions et précautions liées à la sécurité et de les avertir des dangers inhérents.

Figure 1

VENTILATION : Ouvertures minimales requises

Appareil de chauffage	Ouverture près du plancher	Ouverture près du plafond
Air pulsé (400 FAVT)	0,33 m ² (3,5 ft ²)	0,33 m ² (3,5 ft ²)

PRÉCAUTIONS LIÉES À LA SÉCURITÉ

1. Vérifiez attentivement si l'appareil de chauffage a subi des dommages. NE FAITES PAS fonctionner un appareil endommagé.
2. NE MODIFIEZ PAS l'appareil de chauffage et ne le faites pas fonctionner s'il n'est plus dans son état d'origine.
3. Utilisez uniquement du gaz propane.
4. Utilisez uniquement une alimentation au propane à ÉLIMINATION DES ÉMANATIONS. Si vous avez des questions à propos de l'élimination des émanations, consultez votre détaillant de gaz propane.
5. Installez les bonbonnes de propane verticalement (robinet de fermeture vers le haut). Fixez-les comme il convient de sorte qu'ils ne puissent se décrocher accidentellement et protégez-les contre les dommages.
6. Placez les réservoirs de gaz propane à une distance minimale (aux États-Unis) de 2,13 m (7 pi) ou (au Canada) de 3 m (10 pi) de l'appareil de chauffage et **n'orientez pas** l'échappement directement vers les réservoirs.
7. **IMPORTANT** : Utilisez uniquement le tuyau et le régulateur fourni avec l'appareil. Faites correspondre la bande de couleur de l'étiquette fixée au tuyau à la couleur de l'étiquette située près du raccord d'entrée de gaz propane sur l'appareil. Inspectez le tuyau avant chaque utilisation de l'appareil de chauffage. En cas d'abrasion, d'usure excessive ou de coupure, remplacez le tuyau par l'ensemble de tuyaux recommandé avant d'utiliser l'appareil de chauffage.
8. Pour utilisation intérieure seulement. La ventilation doit être adéquate. **Figure 1** (voir également « Précautions liées au fonctionnement »).
9. Si une odeur de gaz est détectée, ARRÊTEZ IMMÉDIATEMENT l'appareil de chauffage jusqu'à ce que la source d'émission du gaz ait été localisée et colmatée. Veuillez lire le feuillet « Substance odorante et gaz propane » ci-joint pour obtenir plus de précisions relatives à la détection des fuites de gaz propane.
10. Installez l'appareil de chauffage de façon à ce qu'il ne soit pas exposé à l'eau.
11. Conservez un écart minimal entre l'appareil et tout matériel combustible (tel que du papier). **Figure 2**
12. En raison des températures élevées de la surface et de l'échappement, les adultes et les enfants doivent respecter les distances de sécurité pour éviter des brûlures et l'inflammation des vêtements.
13. Utilisez uniquement sur des surfaces stables et de niveau.
14. N'utilisez pas l'appareil avec des conduits d'air. N'obstruez pas l'entrée et la sortie d'air.
15. N'utilisez qu'avec l'alimentation électrique spécifiée. Le raccordement électrique et la mise à la terre doivent être conformes au Code national de l'électricité – ANSI/NFPA 70 (aux États-Unis) - et à la norme CSA C22.1, partie 1 du Code canadien de l'électricité (au Canada).
16. N'utilisez qu'avec une prise ou une rallonge mise à la terre munie de trois broches.
17. Ne déplacez pas l'appareil, ne le touchez pas et n'essayez pas d'en faire l'entretien alors qu'il est chaud.
18. Utilisez l'appareil en observant les codes de sécurité en vigueur localement ou référez-vous aux normes relatives à l'entreposage et à la manutention des produits de pétrole liquéfiés ANSI/NFPA 58 et CSA B149.1 du Code d'installation du gaz naturel et du gaz propane.

Figure 2

ÉCART MINIMUM : entre l'appareil et tout matériel combustible.

Écart	Air pulsé 400 FAVT
Du plancher	0 m (0 ft)
De la sortie	2,4 m (8 ft)
Des côtés	0,6 m (2 ft)
Du dessus	0,9 m (3 ft)
Placez l'appareil à 3 m (10 pi) des toiles en tissu ou en plastique ou des revêtements similaires et fixez-les afin d'empêcher tout battement ou mouvement causé par le vent.	

AVERTISSEMENT LIÉ AUX SUBSTANCES ODORANTES

AVERTISSEMENT

Risque d'asphyxie

- Cet appareil ne doit pas être utilisé pour le chauffage de locaux où demeurent des gens.
- Ne l'utilisez pas dans des endroits non aérés.
- Le débit de chaleur et d'air de ventilation ne doit pas être obstrué.
- Le processus de combustion de cet appareil exige un apport adéquat en air de ventilation.
- Consultez la rubrique portant sur les spécifications techniques dans le manuel de l'appareil ou sur la plaque de données de l'appareil, ou communiquez avec le fabricant pour obtenir les renseignements relatifs aux exigences en apport d'air de ventilation pour la combustion.
- Le processus de combustion ne peut s'effectuer correctement si l'apport en air de ventilation est insuffisant.
- Une combustion inadéquate produit des émanations nocives de monoxyde de carbone pouvant entraîner des troubles de santé graves, voire mortels. Les symptômes d'empoisonnement au monoxyde de carbone sont les maux de tête, les étourdissements et la difficulté respiratoire.

ODEUR DU GAZ COMBUSTIBLE

Des additifs odorants ont été ajoutés au gaz propane liquéfié et au gaz naturel dans le but de faciliter la détection de fuites.

Vous devriez remarquer une odeur de gaz combustible s'il y a une fuite. Comme le gaz propane (liquéfié) est plus lourd que l'air, l'odeur de gaz se détecte plus facilement près du sol. TOUTE ODEUR DE GAZ EST UN SIGNAL QU'IL FAUT INTERVENIR IMMÉDIATEMENT !

- Ne prenez aucune mesure qui provoquerait l'allumage des vapeurs de gaz. N'utilisez aucun interrupteur électrique. Ne tirez sur aucune source d'alimentation électrique ou rallonge électrique. N'allumez pas d'allumettes ni aucune source de flamme. N'utilisez pas votre téléphone.
- Faites évacuer immédiatement toute personne se trouvant dans l'immeuble.
- Fermez tous les robinets d'alimentation du réservoir de gaz propane (liquéfié) ou de la bonbonne, ainsi que le robinet d'alimentation principale situé sur le compteur, si vous utilisez du gaz naturel.
- Le gaz propane (liquéfié) est plus lourd que l'air et peut s'accumuler dans les endroits près du sol. Si vous croyez qu'il y a une fuite de gaz propane, éloignez-vous des endroits plus bas.
- Utilisez le téléphone d'un voisin et communiquez avec votre fournisseur en gaz combustible et votre service d'incendies. Ne retournez pas dans l'immeuble ou dans le secteur.
- N'entrez pas dans l'immeuble et restez-en à l'écart jusqu'à ce que le personnel du service des incendies ou le fournisseur en gaz combustible ait confirmé que l'endroit ne comporte aucun risque.
- EN DERNIER LIEU, laissez le personnel du service des incendies ou d'approvisionnement en gaz combustible vérifier si du gaz s'échappe. Assurez-vous qu'ils aient aéré l'immeuble avant d'y retourner. Le personnel d'entretien expérimenté doit colmater toute fuite, vérifier la présence d'autres fuites, puis se charger d'allumer l'appareil pour vous.

SUBSTANCE ODORANTE - AUCUNE ODEUR DÉCELÉE

- Certaines personnes ne détectent pas bien les odeurs. Il est donc possible que certaines personnes ne puissent sentir la substance odorante ajoutée au gaz propane (liquéfié) ou au gaz naturel. Vous devez savoir si vous arrivez à déceler l'odeur de cette substance dans le gaz combustible.

- Apprenez à reconnaître l'odeur du gaz propane et celle du gaz naturel. Pour ce faire, les détaillants de gaz propane (liquéfié) locaux seront heureux de vous fournir un feuillet comprenant une pastille à humer. Servez-vous de cette pastille pour vous aider à reconnaître l'odeur de gaz combustible.
- Le tabagisme peut nuire à votre faculté olfactive. Votre capacité à déceler une odeur quelconque peut s'estomper si vous demeurez un certain temps dans un endroit où cette odeur est présente. La présence d'animaux dans des endroits clos peut aussi masquer l'odeur du gaz combustible.
- La substance odorante contenue dans le gaz propane (liquéfié) et le gaz naturel est incolore et, selon certaines circonstances, son odeur pourrait s'estomper.
- En cas de fuite souterraine, le déplacement du gaz dans le sol peut filtrer l'odeur.
- L'intensité de l'odeur du gaz propane (liquéfié) peut varier à différents niveaux. Étant donné que le gaz propane (liquéfié) est plus lourd que l'air, l'odeur peut être plus prononcée à des niveaux inférieurs.
- Portez toujours attention à la moindre odeur de gaz. **Si une odeur de gaz persiste, même si elle est minime, agissez comme s'il s'agissait d'une fuite importante. Intervenez immédiatement tel que décrit précédemment.**

ATTENTION - POINTS ESSENTIELS À RETENIR !

- Le gaz propane (liquéfié) dégage une odeur particulière. Apprenez à reconnaître cette odeur. (Consultez les rubriques Odeur du gaz combustible et Substance odorante, ci-dessus.)
- Même si vous n'avez pas été formé pour effectuer l'entretien et la réparation de l'appareil, soyez TOUJOURS attentif aux odeurs que dégagent le gaz propane (liquéfié) et le gaz naturel.
- Si vous n'êtes pas formé pour procéder à l'entretien et à la réparation des appareils au gaz propane (liquéfié), ne tentez pas d'allumer l'appareil, de le réparer ou de l'entretenir, ni d'apporter des réglages au système d'alimentation en gaz propane de l'appareil.
- Peu importe les conditions, une bonne pratique de sécurité consiste à sentir de temps à autre autour de l'appareil, des raccords, du tuyau et autres éléments. Si vous décelez la moindre odeur de gaz, COMMUNIQUEZ IMMÉDIATEMENT AVEC VOTRE FOURNISSEUR EN GAZ COMBUSTIBLE. N'ATTENDEZ PAS !

INSTRUCTIONS DE FONCTIONNEMENT

AVANT LE FONCTIONNEMENT

1. Vérifiez soigneusement tout dommage qu'aurait pu subir l'appareil de chauffage pendant l'expédition. Si vous en découvrez, avertissez immédiatement le fabricant.
2. Respectez toutes les « Précautions ».
3. Branchez le raccord POL (filet à gauche) du tuyau et du régulateur en tournant l'écrou POL en sens anti-horaire dans la sortie du robinet de la bonbonne de gaz propane, puis serrez-le avec une clé.
4. Raccordez le tuyau à l'appareil de chauffage en tournant le raccord en sens horaire.
5. Serrez fermement toutes les connexions de gaz.
6. Ouvrez le robinet de gaz de la bonbonne et vérifiez toutes les connexions au moyen d'un mélange d'eau et de savon. N'UTILISEZ PAS DE FLAMME.
7. Raccordez le cordon d'alimentation à une source d'alimentation électrique de 115 V, 60 Hz, 1 Ø, mise à la terre correctement.
8. Lorsque vous utilisez une rallonge électrique, assurez-vous que celle-ci comporte trois fils (mis à la terre) de dimension appropriée.

DÉMARRAGE

1. Ouvrez lentement le robinet principal de la bonbonne de propane afin de prévenir la fermeture du clapet limiteur de débit.
2. Réglez le thermostat en position maximale. L'appareil s'allumera automatiquement.
3. Réglez le clapet à bille sur le panneau de commande au taux de combustion désiré.
4. Réglez le thermostat à la température désirée. L'appareil de chauffage se mettra en fonction et s'arrêtera automatiquement selon les variations de température dans la zone chauffée.

ARRÊT

1. Fermez le robinet sur la bonbonne de gaz propane.
2. Laissez l'appareil fonctionner jusqu'à ce que tout le gaz dans le tuyau ait brûlé.
3. Tournez le thermostat de l'appareil de chauffage en position « off » (arrêt). Pour les arrêts prolongés ou dans les régions où la température est inférieure à -17,8 °C (0 °F), débranchez le cordon d'alimentation de l'appareil de chauffage.

REDÉMARRAGE APRÈS UN ARRÊT D'URGENCE

1. Fermez complètement le robinet sur la bonbonne de gaz propane. Débranchez l'appareil de chauffage.
2. Attendez cinq minutes.
3. Recommencez la procédure « Démarrage ».

ENTRETIEN ET ENTREPOSAGE

1. L'appareil de chauffage doit être vérifié avant chaque utilisation et au moins une fois par année par un technicien qualifié.
2. Avant chaque utilisation, vérifiez l'assise du joint torique souple à la partie arrondie du raccord POL (filet à gauche). Si le joint torique est coupé, usé ou endommagé de quelque façon, remplacez-le par la pièce # 6681.
3. Coupez l'alimentation en gaz propane liquéfié quand l'appareil n'est pas utilisé.
4. Quand l'appareil de chauffage est rangé à l'intérieur, la connexion entre la bouteille d'alimentation en gaz basse pression et l'appareil doit être débranchée et la bouteille doit être retirée de l'appareil et rangée à l'extérieur, tel que précisé au chapitre 5 de la norme relative au rangement et à la manutention des produits de pétrole liquéfiés ANSI/NFPA 58 et CSA B149.1 du Code d'installation du gaz naturel et du gaz propane.

ENTRETIEN

Un appareil de chauffage qui a été modifié ou qui ne fonctionne pas correctement risque d'être une cause de dangers.

Lorsqu'il fonctionne correctement :

- La flamme reste dans l'appareil de chauffage.
- La flamme a une teinte bleue avec des pointes de couleur jaune.
- Il n'y a pas de forte odeur désagréable, ni de sensation de brûlure aux yeux, ni de malaise physique en général.
- Il n'y a pas de production de fumée ou de suie à l'intérieur ou à l'extérieur de l'appareil de chauffage.
- Il ne se produit pas d'arrêts imprévus ou inexpliqués de l'appareil.

La liste des pièces et le schéma de câblage présentent l'appareil de chauffage tel qu'il a été construit. N'utilisez pas un appareil de chauffage qui diffère de ce qui est illustré. N'utilisez à cet effet que le tuyau, le régulateur et le raccord de bonbonne (appelé raccord POL) fournis avec l'appareil de chauffage. **IMPORTANT** Faire correspondre la bande de couleur de l'étiquette fixée au tuyau à la couleur de l'étiquette située près du raccord d'entrée de gaz propane. N'utilisez aucun élément de substitution. Sur cet appareil de chauffage, le régulateur doit être réglé tel qu'indiqué à la rubrique « Spécifications ». Si vous avez un doute au sujet du réglage du régulateur, faites-le vérifier.

Si un appareil de chauffage ne fonctionne pas correctement, il doit être réparé, mais seulement par un technicien formé et expérimenté.

Les produits couverts par la garantie seront réparés sans frais, pièces et main-d'œuvre comprises. Veuillez joindre une courte description de la nature du problème avec la date, le lieu et la preuve d'achat.

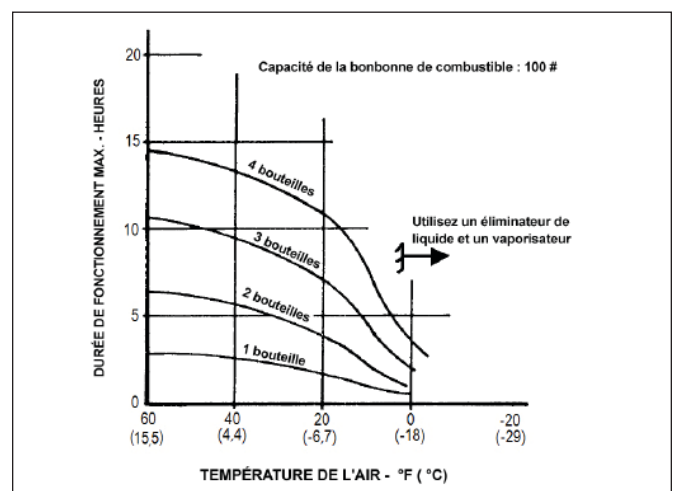
Les produits non couverts par la garantie seront réparés aux frais (pièces et main-d'œuvre) du client.

DIMENSIONS ET CONTENANCES DES BONBONNES DE GAZ PROPANE

Les tableaux qui suivent indiquent la taille approximative de la bonbonne de gaz requise pour ces appareils de chauffage. Pour utiliser le tableau :

1. Sélectionnez la température de l'air la plus basse prévue (au bas du tableau).
2. Allez ensuite directement au haut du tableau au temps d'utilisation désiré (côté gauche du tableau).
3. Notez la dimension de la bonbonne requise.

Tous les appareils de chauffage doivent disposer de : Bonbonnes pleines, d'une circulation d'air adéquate et ne pas présenter de givre



DE QUELLE QUANTITÉ DE CHALEUR AI-JE BESOIN ?

Pour des raisons d'économie, il est important que le rendement corresponde aux besoins. Mais les besoins en matière de chaleur varient souvent. Par exemple, beaucoup de chaleur est habituellement requise pour réchauffer des objets que pour les conserver au chaud. Dans le même ordre d'idée, la température de l'air extérieur augmente habituellement durant la journée ; la demande en chaleur est donc plus grande durant la nuit que durant la journée. Une approximation de la chaleur requise peut être établie à l'aide du tableau ci-dessous.

BTU PAR HEURE REQUIS				
Pieds cubes d'espace à chauffer	Élévation de température requise en °C (°F)*			
	-6,6 °C (20 °F)	1,0 °C (30 °F)	4,4 °C (40 °F)	10 °C (50 °F)
5 000	14 000	20 000	27 999	34 000
7 000	19 000	28 000	38 000	47 000
10 000	27 000	40 000	54 000	67 000
15 000	40 000	60 000	80 000	100 000
20 000	54 000	80 000	107 000	133 000
30 000	80 000	120 000	160 000	200 000
50 000	133 000	200 000	266 000	333 000

AVERTISSEMENT : Lors de l'utilisation d'un appareil de chauffage contrôlé par thermostat, sa zone d'échappement doit être protégée et des avertissements de démarrage soudain doivent être affichés à l'intention du personnel.

Calibre minimum recommandé pour rallonges

Tableau de calibre de câble AWG				
Plaque d'identification 120 V A	Longueur de la rallonge en pieds			
	7,6 m (25 ft)	15,2 m (50 ft)	30,5 m (100 ft)	46 m (150 ft)
5-6	18	16	14	12
6-8	18	16	12	10
8-12	18	14	12	10
10-12	16	14	10	8
12-14	16	12	10	8

400FAVT - SCHÉMA DE CÂBLAGE

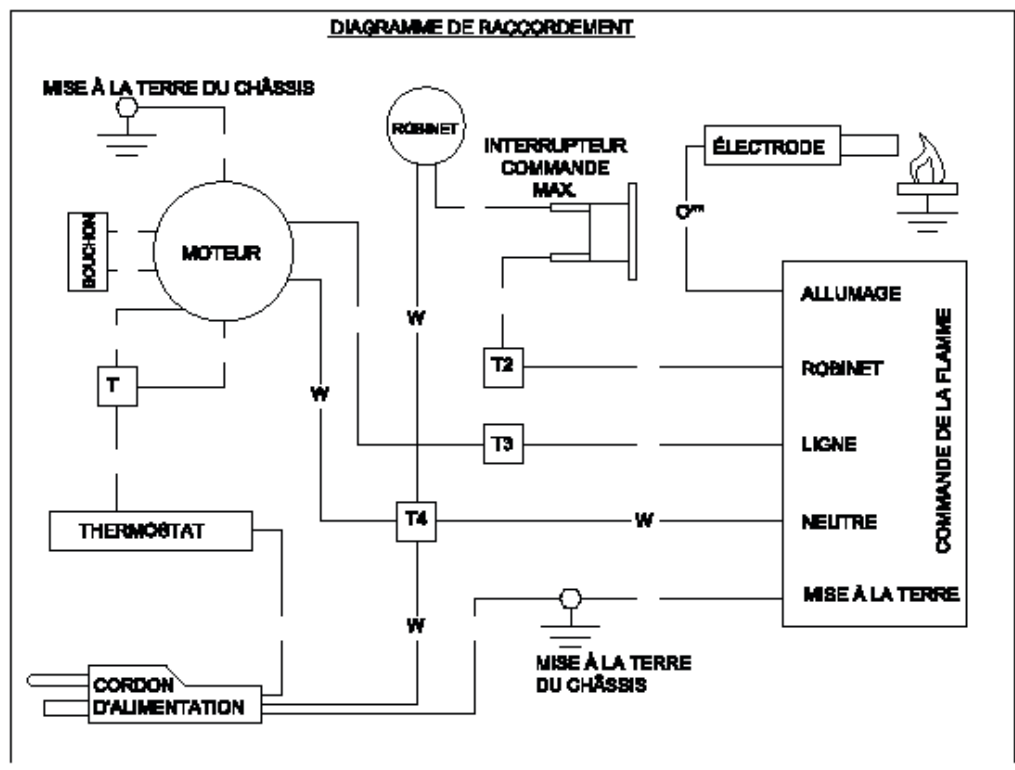
N° PIÈCE	COULEUR	LONGUEUR	DE	À
1100	Blanc	18 cm (7 po)	Valve	Raccordement
1040	Noir	15 cm (6 po)	Interrupteur	Raccordement
1226	Rouge (Haute température)	42 cm (16,5 po)	Interrupteur commande max.	Robinets
1226	Rouge (Haute température)	42 cm (16,5 po)	Interrupteur commande max.	Raccordement
1070	Orange	28 cm (11 po)	Commande de la flamme (Allumage)	Bougie d'allumage
1959	Vert	18 cm (7 po)	Commande de la flamme (Faisceau)	Mise à la terre
1959	Rouge	18 cm (7 po)	Commande de la flamme (Faisceau)	Raccordement
1959	Blanc	15 cm (6 po)	Commande de la flamme (Faisceau)	Raccordement
1959	Noir	15 cm (6 po)	Commande de la flamme (Faisceau)	Raccordement

Modèle n° 400FAVT SCHÉMA DE CÂBLAGE

CODE DE COULEUR / LÉGENDE

- B NOIR
- L BLEU
- G VERT
- O ORANGE
- R ROUGE
- W BLANC
- T RACCORDEMENT

Si du câblage d'origine fourni avec l'appareil de chauffage doit être remplacé, il faut utiliser du câblage de type AWG 105 °C ou un équivalent, à moins d'indication contraire (*type SF2-200, **SGI 250 °C).





GUIDE D'UTILISATION ET MANUEL DU PROPRIÉTAIRE

Modèle #

MH400FAVT

LISEZ SOIGNEUSEMENT LES INSTRUCTIONS : Lisez et observez toutes les instructions. Conservez ces instructions dans un endroit sécuritaire pour vous y référer ultérieurement. Ne permettez pas à quiconque n'ayant pas lu les présentes instructions d'assembler, d'allumer, de régler ou de faire fonctionner l'appareil.



AVERTISSEMENT :

N'UTILISEZ QUE LES PIÈCES DE REMPLACEMENT DU FABRICANT. L'UTILISATION D'AUTRES PIÈCES RISQUE DE CAUSER DES BLESSURES ET LA MORT. LES PIÈCES DE REMPLACEMENT NE SONT OFFERTES QUE PAR LE FABRICANT ET DOIVENT ÊTRE INSTALLÉES PAR UNE ENTREPRISE SPÉCIALISÉE.

INFORMATIONS SUR LA COMMANDE DE PIÈCES :

ACHATS : Les accessoires peuvent être achetés chez n'importe quel revendeur local Mr. Heater ou directement à l'usine.

POUR OBTENIR DES INFORMATIONS SUR LE SERVICE

Veuillez appeler sans frais le 800-251-0001 • www.mrheater.com

Nos heures d'ouverture sont de 8 h 00 à 17 h HE, du lundi au vendredi.

Adressez vos courriels à : techservice@enerco-mrheater.com

Veuillez indiquer le numéro du modèle, la date d'achat et la description du problème dans toutes vos communications avec nous.

GARANTIE LIMITÉE

L'entreprise garantit ce produit contre tout défaut de matériel ou de main-d'œuvre, dans des conditions d'utilisation normale et adéquate, conformément aux instructions de l'entreprise, pour une période de un an à compter de la date de livraison à l'acheteur. L'entreprise réparera ou remplacera, à sa discrétion, les produits retournés port payé par l'acheteur au fabricant dans la période de un an et jugés par l'entreprise comme présentant des défauts de matériel ou de main-d'œuvre.

Si une pièce est endommagée ou manquante, téléphonez à notre service de soutien technique au 800-251-0001.

Envoyez toutes les demandes de garantie au service à la clientèle, Mr. Heater, Inc., 4560 W. 160th St., Cleveland, Ohio 44135. Incluez votre nom, l'adresse et le numéro de téléphone et aussi les détails concernant la demande. Nous fournir également la date d'achat et le nom et l'adresse du concessionnaire auprès duquel vous avez acheté notre produit.

Ce qui est énoncé ci-dessus constitue la responsabilité totale de l'entreprise. Il n'existe aucune autre garantie, expresse ou tacite. Plus précisément, il n'y a aucune garantie concernant l'adéquation à une utilisation particulière ni aucune garantie concernant la qualité marchande. En aucun cas l'entreprise ne sera tenue responsable des retards causés par des défauts, ni des dommages indirects, ni des dépenses encourues sans son consentement écrit, quelle que soit leur nature. Le coût de la réparation ou du remplacement sera le seul recours possible en cas de violation de garantie. Il n'y a aucune garantie contre une transgression de ce genre ni aucune garantie tacite découlant des usages du commerce ou de la façon habituelle d'échanger. La présente garantie ne s'applique à aucun produit qui a été réparé ou modifié par d'autres que le fabricant si cela influe de quelque façon que ce soit sur la condition de l'appareil ou son fonctionnement, selon notre jugement.

Certains États ou provinces ne permettent pas d'exclure ou de limiter les dommages indirects ou subséquents. Par conséquent, les limitations ou exclusions ci-dessus mentionnées ne vous concernent peut-être pas. La présente garantie vous accorde des droits juridiques précis, mais vous pourriez avoir d'autres droits qui varient selon la province ou l'État.

Mr. Heater, Inc., se réserve le droit de modifier en tout temps, sans préavis ni obligation, les couleurs, spécifications, accessoires, matériaux et modèles.

ENREGISTREMENT DU PRODUIT : Nous vous remercions pour votre achat. Veuillez vous connecter à <http://www.egiregistration.com> pour enregistrer votre produit.



ANSI Z83.7b/CSA2.14b-2009

MR. HEATER, INC., 4560 W. 160TH ST., CLEVELAND, OHIO 44135 • 800-251-0001
Mr. Heater est une marque déposée de Enerco Group, Inc
© 2015, Enerco Group, Inc. Tous droits réservés

INSTRUCCIONES DE USO Y MANUAL DEL USUARIO



CALENTADOR DE PROPANO A AIRE FORZADO PARA CONSTRUCCIÓN

Modelo #

MH400FAVT

LEA CUIDADOSAMENTE LAS INSTRUCCIONES: lea y siga todas las instrucciones. Consérvelas en un lugar seguro para futura referencia. No permita que nadie que no haya leído estas instrucciones arme, encienda, ajuste o use el calentador.



ADVERTENCIA: Si no se siguen al pie de la letra las instrucciones de este manual, podría producirse un incendio o una explosión que provocaría daños materiales, lesiones o muertes.

- No almacene ni utilice gasolina ni ningún otro vapor ni líquido inflamable cerca de este ni de ningún otro artefacto.
- Los cilindros LP que no estén conectados al calentador no deben almacenarse cerca de este ni de ningún otro artefacto.
- QUÉ HACER SI DETECTA OLOR A GAS
 - No intente encender el artefacto.
 - Apague todas las llamas expuestas.
 - Corte el suministro de gas al artefacto.
- El mantenimiento debe ser realizado por una agencia de reparación calificada.

Este calentador portátil a gas no tiene una fuente propia de ventilación. Utiliza el aire (oxígeno) del área en la cual se emplea. Debe suministrarse el aire necesario para la ventilación y la combustión. Consulte la página 3.

ADVERTENCIA:

⚠ SU SEGURIDAD ES IMPORTANTE PARA USTED Y PARA LOS DEMÁS. POR ELLO, LEA ESTAS INSTRUCCIONES ANTES DE UTILIZAR EL CALENTADOR.

ADVERTENCIA GENERAL DE PELIGRO:

- ⚠ EL NO CUMPLIR CON LAS PRECAUCIONES E INSTRUCCIONES QUE VIENEN CON ESTE CALENTADOR PUEDE CAUSAR LA MUERTE, LESIONES GRAVES Y PÉRDIDAS Y DAÑOS MATERIALES DERIVADOS DEL PELIGRO DE INCENDIO, EXPLOSIÓN, QUEMADURAS, ASFIXIA, ENVENENAMIENTO CON MONÓXIDO DE CARBONO Y/O DESCARGAS ELÉCTRICAS.
- ⚠ SOLO LAS PERSONAS QUE ENTIENDAN Y PUEDAN SEGUIR LAS INSTRUCCIONES DEBEN USAR O MANTENER ESTE CALENTADOR.
- ⚠ SI NECESITA AYUDA O INFORMACIÓN ACERCA DEL CALENTADOR, COMO MANUALES DE INSTRUCCIONES, ETIQUETAS, ETC., PÓNGASE EN CONTACTO CON EL FABRICANTE.

ADVERTENCIA:

⚠ NO APTO PARA USAR EN EL HOGAR NI EN CASAS RODANTES.

ADVERTENCIA:

⚠ PELIGRO DE INCENDIO, QUEMADURAS, INHALACIÓN Y EXPLOSIÓN. MANTENGA LOS COMBUSTIBLES SÓLIDOS, TALES COMO MATERIALES DE CONSTRUCCIÓN, PAPEL O CARTÓN, A UNA DISTANCIA SEGURA DEL CALENTADOR. COMO SE RECOMIENDA EN LAS INSTRUCCIONES, NUNCA USE EL CALENTADOR EN ESPACIOS QUE CONTENGAN O PODRÍAN CONTENER COMBUSTIBLES VOLÁTILES O GASEOSOS, NI PRODUCTOS COMO GASOLINA, SOLVENTES, DILUYENTES DE PINTURA, PARTÍCULAS DE POLVO O PRODUCTOS QUÍMICOS DESCONOCIDOS.

EL ESTADO DE CALIFORNIA EXIGE LA SIGUIENTE ADVERTENCIA:

ADVERTENCIA:

UNA DE LAS SUSTANCIAS QUE SE DESPRENDE EN LA COMBUSTIÓN AL USAR ESTE EQUIPO ES EL MONÓXIDO DE CARBONO, UN COMPUESTO QUÍMICO QUE DE ACUERDO CON EL ESTADO DE CALIFORNIA PRODUCE CÁNCER Y DEFECTOS DE NACIMIENTO (U OTROS DAÑOS REPRODUCTIVOS). ESTE PRODUCTO CONTIENE SUSTANCIAS QUÍMICAS QUE DE ACUERDO CON EL ESTADO DE CALIFORNIA PRODUCEN CÁNCER, DEFECTOS DE NACIMIENTO U OTROS DAÑOS REPRODUCTIVOS.

CONTENIDOS

Especificaciones	2
Precauciones de utilización.....	3
Precauciones de seguridad	3
Advertencia de disipación del olor.....	4
Instrucciones de uso	5
Almacenamiento y reparación	5
Diagrama de cableado.....	6
Lista de piezas	7
Diagrama extendido.....	7

ESPECIFICACIONES

MODELO N.º	400FAVT
TIPO DE GAS.....	Propano
ESPECIFICACIONES DE BTU	210.000-400.000 BTU/hr (61,5–117 kW)
PRESIÓN DEL SUMINISTRO DE GAS AL REGULADOR	
Máxima: presión del cilindro,	
Mínima: 0,14 MPa (20 lb/po²)	
SALIDA DEL REGULADOR.....	0,14 MPa (20 lb/po ²)
ENTRADA DE CORRIENTE.....	115 V, 60 Hz, 1Ø, 5.5a
ENCENDIDO.....	Chispa directa, no constante
CONTROL PRIMARIO	
DE LA LLAMA.....	del estado sólido 10-15 segundos
CONTROL DE ALTA TEMPERATURA	116 °C (240 °F)
Temperatura ambiente mínima especificada:	-17.8°C (0 °F)
CONSUMO DE COMBUSTIBLE.....	4,2–8,4 kg/hr (9,3-18,5 lbs/hr)
N.º DEL PUERTO DEL ORIFICIO DE COMBUSTIBLE	1
TAMAÑO DEL PUERTO DEL ORIFICIO	
DE COMBUSTIBLE	2,35 MM
SALIDA DE AIRE CALIENTE	39,6 M ³ /MIN. (1400 CFM)

PRECAUCIONES DE UTILIZACIÓN

Este artefacto es un calentador de propano de caldeo directo a aire forzado. Está diseñado principalmente para calefactar temporalmente edificios en construcción, remodelación o reparación.

El propano es más pesado que el aire. Cuando el propano escapa de una conexión o acople, desciende hacia el piso y se acumula allí con el aire circundante, y forma una mezcla potencialmente explosiva. Obviamente, las fugas de propano deben evitarse, así que debe establecer la conexión del suministro de propano con extremo cuidado. Lea el documento adjunto "Propano y disipación del olor" para obtener más información sobre la detección de fugas de propano. Realice una comprobación de fugas utilizando una solución de agua jabonosa siempre que establezca una nueva conexión o realice una reconexión, y siga todas las instrucciones de conexión incluidas en este documento. Además, solicite asesoramiento del proveedor de propano acerca de la aplicación e instalación del suministro de propano, y pídale que realice una revisión si tuviera alguna duda.

Este calentador fue diseñado y certificado para ser utilizado como un calentador para sitios de construcción de acuerdo con el estándar ANSI Z83.7/CGA 2.14. Consulte con la autoridad de seguridad antiincendios si tiene alguna pregunta sobre sus aplicaciones. Hay otros estándares que rigen el uso de gases combustibles y productos que producen calor en aplicaciones específicas. Su autoridad local podrá asesorarlo al respecto.

De caldeo directo quiere decir que todos los productos de la combustión ingresan al espacio que se calienta. Aunque este calentador funciona casi a un 100 % de eficiencia de combustión, produce pequeñas cantidades de monóxido de carbono. El monóxido de carbono (CO) es tóxico. Podemos tolerar pequeñas cantidades, pero no grandes cantidades. El CO puede acumularse en el lugar que se calienta y si no se establecen las condiciones de ventilación adecuadas puede resultar mortal.

Los síntomas de ventilación inadecuada son:

- dolor de cabeza
- mareos
- ardor en los ojos y en la nariz
- náuseas
- boca reseca o dolor de garganta

Por tanto, asegúrese de seguir las recomendaciones sobre las condiciones de ventilación que se incluyen en estas instrucciones de uso.

Aire forzado significa que un soplador o ventilador impulsa el aire a través del calentador. La combustión depende de este flujo de aire para realizarse correctamente, por tanto, el calentador no debe modificarse, alterarse ni utilizarse si se le han sustraído o le faltan piezas. Asimismo, no se deben alterar ni modificar los sistemas de seguridad para utilizar el calentador.

Cuando deba utilizarse el calentador en presencia de otras personas, el usuario será responsable de poner a los presentes al corriente de las precauciones e instrucciones de seguridad, y de los posibles peligros.

Figura 1

VENTILACIÓN: aperturas mínimas necesarias

Calentador	Apertura cerca del piso	Apertura cerca del cielorraso
Aire forzado (400 FAVT)	0,33 m ² (3.5 pies ²)	0,33 m ² (3.5 pies ²)

PRECAUCIONES DE SEGURIDAD

1. Revise cuidadosamente si el calentador presenta daños. NO use un calentador dañado.
2. NO modifique el calentador ni lo use si su configuración original ha sido modificada.
3. Utilice únicamente gas propano.
4. Utilice únicamente suministro de propano con RECUPERACIÓN DE VAPOR. Si tiene alguna pregunta sobre la recuperación de vapor, consulte al proveedor de propano.
5. Monte los cilindros de propano verticalmente (válvula hacia arriba). Asegúrelos para que no caigan ni sean arrojados al piso y protéjalos de daños.
6. Ubique los envases de propano por lo menos a 2,13 m (7 pies) (EE. UU.) o a 3 m (10 pies) (Canadá) del calentador y **no** apunte el escape hacia ellos.
7. **IMPORTANTE:** Use únicamente la manguera y el regulador que vienen con el calentador. Haga coincidir la franja de color de la etiqueta colgante que se encuentra en el acople de la manguera con el color de la etiqueta situada cerca del acople de entrada del propano en el calentador. Inspeccione siempre el conjunto de la manguera antes de utilizar el calentador. Si el conjunto de la manguera estuviera excesivamente estropeado o desgastado, o si presentara cortaduras, reemplácelo por uno de los que se especifica en la lista de piezas antes de utilizar el calentador.
8. Solo para uso en interiores. El área debe estar bien ventilada. **Figura 1** (consulte también la sección "Precauciones de utilización").
9. Si detectara olor a gas en algún momento, INTERRUMPA INMEDIATAMENTE la utilización del equipo hasta que haya sido detectada y corregida la fuente de gas. Lea el documento adjunto "Propano y disipación del olor" para obtener más información sobre la detección de fugas de propano.
10. Instale el calentador de forma tal que no esté directamente expuesto a salpicaduras de agua, lluvia ni goteo de agua.
11. Mantenga las distancias mínimas de materiales combustibles normales (como el papel). **Figura 2**
12. Dadas las elevadas temperaturas de la superficie y del escape, tanto los adultos como los niños deben mantener la distancia adecuada para evitar quemaduras o la ignición de su ropa.
13. Úselo únicamente sobre una superficie nivelada y estable.
14. No lo utilice en redes de conductos. No restrinja las entradas ni las salidas.
15. Utilice únicamente la alimentación de corriente especificada. La conexión eléctrica y a tierra debe cumplir con los requisitos del Código Eléctrico Nacional - ANSI/NFPA 70 (EE.UU.) y del Código Eléctrico Canadiense CSA C22. 1, Primera parte (Canadá).
16. Utilice únicamente un cable de extensión o un receptáculo de 3 patas correctamente conectado a tierra.
17. No mueva, manipule ni ajuste el calentador mientras esté caliente o encendido.
18. Utilice únicamente de acuerdo con los códigos locales o, en la ausencia estos, de acuerdo con los Estándares ANSI/NFPA 58 y CSA B149.1 para almacenamiento y manipulación de gases licuados del petróleo del Código de instalación de propano y gas natural.

Figura 2

DISTANCIAS MÍNIMAS de materiales combustibles normales

Distancia	Aire forzado 400FAVT
Desde el piso	0 m (0 pies)
Del tomacorriente	2,43 m (8 pies)
Desde los laterales	0,60 m (2 pies)
Desde la parte superior.....	0,91 m (3 pies)
Colóquelo a 3 m (10 pies) de lonas o cubiertas de protección plásticas o cubiertas similares y asegúrelas para evitar que ondeen o se muevan por la acción del viento.	

ADVERTENCIA DE DISIPACIÓN DEL OLOR

ADVERTENCIA

Peligro de asfixia

- No utilice este calentador para calefaccionar locales habitados por personas.
- No lo utilice en áreas sin ventilación.
- No obstruya el flujo de aire necesario para la combustión y la ventilación.
- Deberá suministrar la ventilación adecuada para garantizar que el calentador disponga del aire que necesita para la combustión.
- Consulte la sección de especificaciones del manual del calentador, la placa del calentador o póngase en contacto con el fabricante para conocer los requerimientos de ventilación del calentador.
- Si la ventilación no es la adecuada, la combustión no se llevará a cabo correctamente.
- Una combustión inadecuada puede producir envenenamiento con monóxido de carbono con graves daños para la salud, o causar la muerte. Los síntomas de envenenamiento con monóxido de carbono incluyen dolores de cabeza, mareos y dificultad para respirar.

OLOR A GAS COMBUSTIBLE

Los gases LP y el gas natural contienen sustancias aromáticas artificiales añadidas específicamente para facilitar la detección de fugas de gas.

Si se produjera una fuga de gas, usted debe poder oler el gas combustible. Dado que el propano (LP) es más pesado que el aire, debe tratar de detectar el olor lo más cerca del piso posible. CUALQUIER OLOR A GAS SERÁ LA SEÑAL PARA TOMAR MEDIDAS INMEDIATAMENTE.

- No haga nada que pudiera inflamar el gas combustible. No active ningún interruptor eléctrico. No desconecte ninguna toma de corriente ni cables de extensión. No encienda fósforos ni ninguna otra fuente de llamas. No utilice el teléfono.
- Saque a todas las personas del edificio y aléjelas del área inmediatamente.
- Cierre todas las válvulas de suministro de combustible de los cilindros o del tanque de gas propano (LP), o la válvula principal de suministro de combustible que se encuentra en el medidor si emplea gas natural.
- El gas propano (LP) es más pesado que el aire y puede asentarse en áreas bajas. Cuando sospeche que puede haber una fuga de propano, manténgase alejado de las áreas bajas.
- Utilice el teléfono de su vecino y llame al proveedor de gas y al departamento de bomberos. No vuelva a entrar al edificio ni se acerque al área.
- Manténgase alejado del edificio y del área hasta que los bomberos y el proveedor de gas hayan declarado que no hay peligro.
- POR ÚLTIMO, permita que la persona del servicio de gas y los bomberos revisen si hay fugas de gas. Haga que ventilen el edificio y el área antes de su regreso. Un agente de servicios calificado debe reparar cualquier fuga, revisar si hay otras fugas y volver a encender el artefacto por usted.

DISIPACIÓN DEL OLOR: NO SE DETECTA NINGÚN OLOR

- Algunas personas tienen problemas de olfato. Algunos no pueden detectar el olor del químico artificial añadido al propano (LP) o al gas natural. Debe determinar si es capaz de oler la sustancia aromática que contienen estos gases combustibles.

- Aprenda a reconocer el olor del gas propano (LP) y del gas natural. Los distribuidores locales de propano (LP) le darán con gusto un panfleto con muestras de olores. Utilícelo para familiarizarse con el olor del gas combustible.
- El hábito de fumar puede disminuir el sentido del olfato. Exponerse a un olor durante un período puede afectar su sensibilidad a ese olor específico. Los olores presentes en instalaciones donde se crían animales pueden enmascarar el olor del gas combustible.
- La sustancia aromática presente en el gas propano (LP) y en el gas natural es incolora y la intensidad de su olor puede desvanecerse en algunas circunstancias.
- Si hay una fuga subterránea, el recorrido del gas a través del suelo puede filtrar esta sustancia aromática.
- El aroma del gas propano (LP) puede variar en intensidad a diferentes niveles. Dado que el gas propano (LP) es más pesado que el aire, el olor puede ser más intenso en los niveles más bajos.
- Manténgase siempre alerta al más mínimo olor a gas. **Si continúa percibiendo el olor a gas, no importa cuán poco sea, proceda como si fuera una fuga grave. Tome medidas de inmediato como se explicó anteriormente.**

ATENCIÓN: PUNTOS IMPORTANTES PARA RECORDAR

- El gas propano (LP) tiene un olor característico. Aprenda a reconocer estos olores. (Consulte las secciones anteriores "Olor a gas combustible" y "Disipación del olor").
- Aunque usted no esté capacitado para dar mantenimiento y reparar el calentador, SIEMPRE esté atento a los olores del gas propano (LP) y del gas natural.
- Si no ha recibido capacitación para reparar y dar mantenimiento a equipos que emplean gas propano (LP), no intente encender el calentador, darle mantenimiento o repararlo, ni hacer ningún ajuste al calentador o al sistema de combustible de gas propano (LP).
- Una prueba olfativa periódica en las proximidades del calentador o en sus conexiones, por ejemplo, en la manguera, los acoples, etc., es una buena costumbre en todo momento. Si huele la más mínima cantidad de gas, PÓNGASE EN CONTACTO CON EL PROVEEDOR DE GAS INMEDIATAMENTE. ¡NO ESPERE!

INSTRUCCIONES DE USO

PREPARATIVOS PARA EL USO

1. Revise el calentador para determinar si sufrió daños durante el envío. Si encontrara alguno, notifíquelo inmediatamente a la fábrica.
2. Siga todas las "precauciones".
3. Conecte el acople POL de la manguera y el conjunto del regulador al cilindro de propano rotando la tuerca POL hacia la izquierda dentro de la válvula de salida del cilindro de propano y ajústela con una llave.
4. Conecte la manguera al calentador rotando el acople de la manguera hacia la derecha.
5. Apriete fuertemente todas las conexiones de gas.
6. Abra la válvula de gas del cilindro y compruebe todas las conexiones de gas con una solución de agua jabonosa. NO UTILICE LLAMAS.
7. Conecte el cable de alimentación a una fuente de alimentación de 115 V, 60 Hz, 1Ø con la conexión a tierra adecuada.
8. Cuando use un cable de extensión, asegúrese de que sea de 3 cables (con conexión a tierra) y que tenga el tamaño adecuado.

ENCENDIDO

1. Abra lentamente la válvula principal del cilindro de propano para evitar que la válvula de control de exceso de flujo se cierre.
2. Coloque el termostato en la posición "on" (encendido). El calentador se encenderá automáticamente.
3. Ajuste la válvula de bola en el panel de control a la tasa de consumo deseada.
4. Configure el termostato a la temperatura deseada. El calentador se apagará y se encenderá automáticamente a medida que la temperatura varíe en el área donde se encuentra.

APAGADO

1. Cierre firmemente la válvula del cilindro de propano.
2. Continúe usando el calentador hasta que todo el combustible de la manguera se haya quemado.
3. Coloque el termostato del calentador en la posición "off" (apagado). En caso de que el calentador vaya a estar apagado durante un período prolongado o si se lo utilizará en áreas en la que la temperatura sea menor a -17,8 °C (0 °F), desconéctelo.

REINICIO LUEGO DEL APAGADO DE SEGURIDAD

1. Cierre firmemente la válvula del cilindro de propano. Desconecte el calentador.
2. Espere 5 minutos.
3. Reinicie según se indica en el procedimiento de "Encendido".

MANTENIMIENTO Y ALMACENAMIENTO

1. Debe inspeccionar el calentador antes de cada uso y hacerlo revisar por una persona calificada una vez por año.
2. Antes de cada uso, revise siempre el asiento del anillo "O" de goma que se encuentra en el extremo del acople del POL. Si el anillo "O" presenta cortes, raspaduras o cualquier otro daño, reemplácelo por la pieza número 6681.
3. Cierre la salida de gas en el cilindro o los cilindros de suministro de gas LP cuando no esté utilizando el calentador.
4. Cuando deba guardar el calentador en un lugar cerrado, deber desconectar la conexión entre el cilindro o los cilindros de suministro de gas LP y el calentador, y deberá retirarlos del calentador y guardarlos en un lugar al aire libre, como se especifica en el Capítulo 5 de los estándares ANSI/NFPA 58 y CSA B149.1 para almacenamiento y manipulación de gases del petróleo líquido del Código de instalación de propano y gas natural.

REPARACIÓN

Se puede producir una situación de riesgo si se utiliza un calentador cuya configuración original haya sido modificada o si no está funcionando correctamente.

Cuando el calentador funciona correctamente:

- La llama arde en el interior del calentador.
- La llama es fundamentalmente azul y puede tener algunas terminaciones amarillas.
- No se percibe un olor desagradable fuerte, no arden los ojos y no hay ningún otro tipo de incomodidad física.
- No hay humo ni hollín dentro ni fuera del calentador.
- El calentador no se apaga inesperadamente o inexplicablemente.

Las listas de piezas y el diagrama del cableado muestran la configuración original del calentador. No utilice un calentador que sea diferente del que se muestra. En este sentido, utilice únicamente la manguera, el regulador y el acople de conexión (denominado acople POL) suministrados con el calentador. IMPORTANTE: Haga coincidir la franja de color de la etiqueta colgante que se encuentra en el conjunto de la manguera con el color de la etiqueta situada cerca del acople de entrada del propano en el calentador. No utilice piezas alternativas. Para este calentador, el regulador debe estar instalado como se muestra en la sección "Especificaciones". Si hay alguna duda acerca de la instalación del regulador, haga que lo revisen.

Si un calentador no funciona correctamente debe ser reparado, pero solo por un técnico de mantenimiento capacitado y experimentado.

Para los productos en garantía, la reparación se realizará sin costos de piezas ni mano de obra. Incluya una breve declaración indicando la fecha y el lugar de compra, la naturaleza del problema y el comprobante de compra.

La reparación de los productos que se encuentren fuera del período de garantía incluirá los costos de piezas y mano de obra.

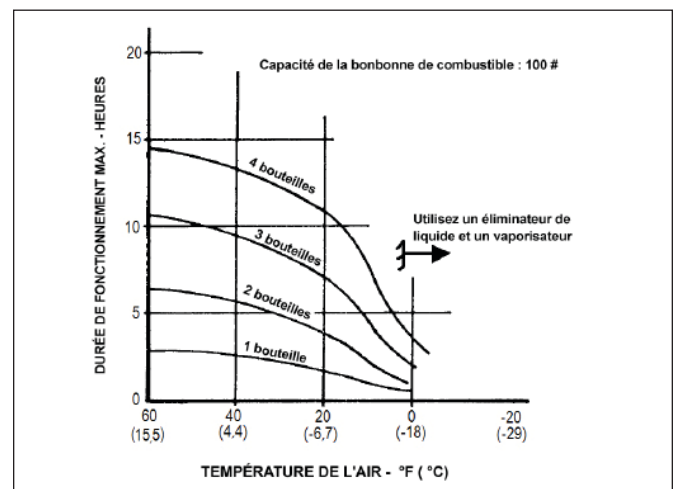
TAMAÑO Y CAPACIDAD DE LOS CILINDROS DE PROPANO

Los gráficos siguientes muestran el tamaño aproximado del cilindro que necesitan estos calentadores. Para utilizar el gráfico:

1. Seleccione la temperatura de aire mínima esperada (parte inferior del gráfico).
2. Ascienda en la vertical hasta encontrar el tiempo de funcionamiento deseado (a la izquierda del gráfico).
3. Lea el tamaño de cilindro requerido.

Todos los calentadores deben tener:

cilindros llenos, buena circulación de aire y estar libres de escarcha.



¿CUÁNTO CALOR ES NECESARIO?

Por cuestiones económicas, es importante que la entrada sea la necesaria. Pero, a menudo, las necesidades de calor varían. Por ejemplo, normalmente se necesita mucho más calor para calentar un objeto de lo que se necesita para mantenerlo así. Del mismo modo, la temperatura del aire externa normalmente cambia durante el día, por lo que puede necesitar más calor durante la noche que durante el día. En el siguiente cuadro se indican cifras estimadas del calor necesario.

BTU POR HORA NECESARIOS				
Pies cúbicos de espacio que se calefacciona	Aumento de temperatura requerido °C (°F)*			
	-6,6 °C (20 °F)	1,0 °C (30 °F)	4,4 °C (40 °F)	10 °C (50 °F)
5,000	14,000	20,000	27,999	34,000
7,000	19,000	28,000	38,000	47,000
10,000	27,000	40,000	54,000	67,000
15,000	40,000	60,000	80,000	100,000
20,000	54,000	80,000	107,000	133,000
30,000	80,000	120,000	160,000	200,000
50,000	133,000	200,000	266,000	333,000

ADVERTENCIA: Cuando usa un calentador controlado por termostato, su área de salida debe estar protegida del personal y se deben colocar advertencias sobre encendido repentino.

Calibre mínimo recomendado para los cables de extensión

Nombre Placa 120 V Amperios	Gráfico del calibre del cable CAE			
	Longitud del cable en pies			
	7,6 m (25 ft)	15,2 m (50 ft)	30,5 m (100 ft)	46 m (150 ft)
5-6	18	16	14	12
6-8	18	16	12	10
8-12	18	14	12	10
10-12	16	14	10	8
12-14	16	12	10	8

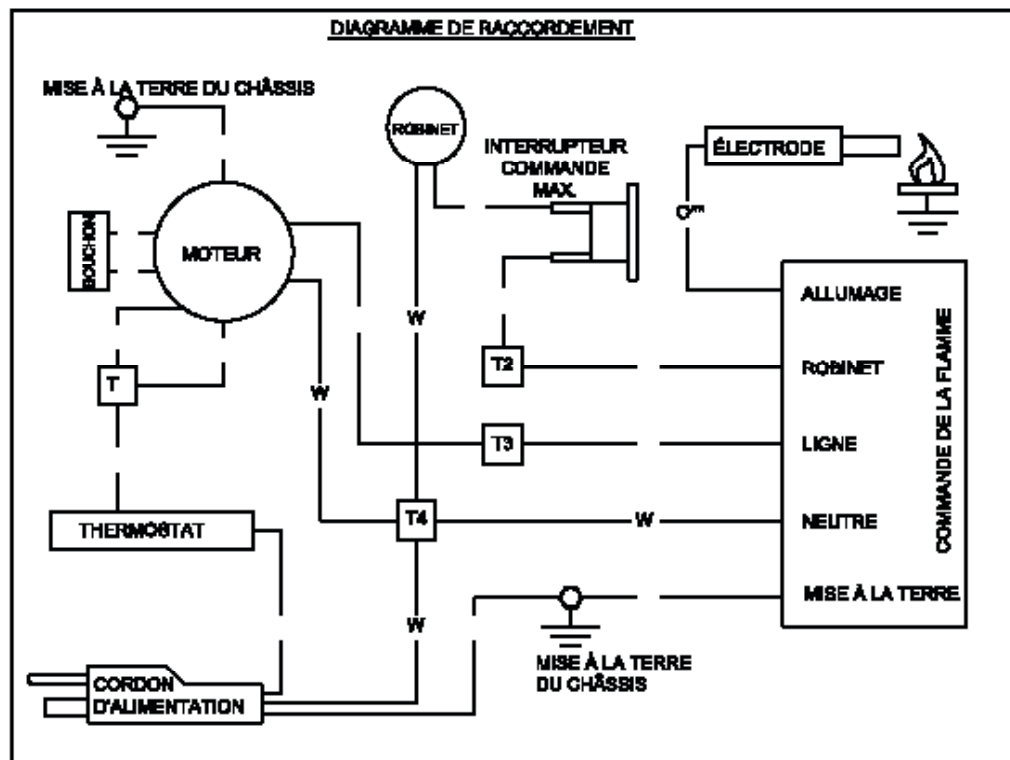
400FAVT: GRÁFICO DE CABLEADO

PIEZA N.º	COLOR	LONGITUD	DESDE	HASTA
1100	Blanco	18 cm (7")	Válvula	Conexión del terminal
1040	Negro	15 cm (6")	Interruptor "On/Off" (Encendido/Apagado)	Conexión del terminal
1226	Rojo (Temp. alta)	42 cm (16,5")	Interruptor limitador máximo	Válvula
1226	Rojo (Temp. alta)	42 cm (16,5")	Interruptor limitador máximo	Conexión del terminal
1070	Naranja	28 cm (11")	Control de la llama (encendido)	Bujía
1959	Verde	18 cm (7")	Control de la llama (mazo)	Conexión a tierra
1959	Rojo	18 cm (7")	Control de la llama (mazo)	Conexión del terminal
1959	Blanco	15 cm (6")	Control de la llama (mazo)	Conexión del terminal
1959	Negro	15 cm (6")	Control de la llama (mazo)	Conexión del terminal

Modelo N.º 400FAVT DIAGRAMA DE CABLEADO

CÓDIGO DE COLOR/LEYENDA
 B NEGRO
 L AZUL
 G VERDE
 O NARANJA
 R ROJO
 W BLANCO
 T CONEXIÓN DEL TERMINAL

En caso de que se necesitara reemplazar cualquier cableado original suministrado con el calentador, debe reemplazarse con el cable de calibre 105 °C o su equivalente excepto tal como se indica (*tipo SF2-200, **SGI 250 °C).





INSTRUCCIONES DE USO Y MANUAL DEL USUARIO

Modelo #

MH400FAVT

LEA CUIDADOSAMENTE LAS INSTRUCCIONES: lea y siga todas las instrucciones. Consérvelas en un lugar seguro para futura referencia. No permita que nadie que no haya leído estas instrucciones arme, encienda, ajuste o use el calentador.



ADVERTENCIA:

USE SOLAMENTE REPUESTOS DEL FABRICANTE. EL USO DE CUALQUIER OTRA PIEZA PODRÍA CAUSAR HERIDAS O LA MUERTE. LOS REPUESTOS ESTÁN DISPONIBLES ÚNICAMENTE EN LA FÁBRICA Y DEBEN SER INSTALADOS POR UNA AGENCIA DE SERVICIO CALIFICADA.

INFORMACIÓN PARA ORDENAR REPUESTOS:

COMPRAS: Los accesorios se pueden comprar en cualquier distribuidor local de Mr. Heater o directamente en la fábrica.

SI DESEA OBTENER INFORMACIÓN ACERCA DE REPARACIONES

Llame sin cargo al 800-251-0001 • www.mrheater.com

Nuestro horario de trabajo es de 8:00 a. m. a 5:00 p. m., hora del este, de lunes a viernes.

Envíe un mensaje de correo electrónico a: techservice@enerco-mrheater.com.

Incluya el número de modelo, la fecha de compra y la descripción del problema en todas sus comunicaciones.

GARANTÍA LIMITADA

La compañía da garantías de que este producto está libre de imperfecciones materiales y de fabricación, bajo condiciones de uso normales y adecuadas de acuerdo con las instrucciones de la Compañía, por un período de un año a partir de la fecha de entrega al comprador. La Compañía, según decida, reparará o reemplazará los productos que el comprador devuelva a la fábrica, con transportación prepagada dentro del mencionado período de un año y que la Compañía determine que presentan imperfecciones materiales o de fabricación.

Si alguna de las piezas está dañada o si le falta alguna, llame al Departamento de Asistencia Técnica al 800-251-0001.

Dirija sus reclamos de garantía a la siguiente dirección: Service Department, Mr. Heater, Inc., 4560 W. 160th St., Cleveland, Ohio 44135. Incluya su nombre, dirección y número telefónico en su comunicación, y los detalles relacionados con el reclamo. Además, infórmenos la fecha de la compra y el nombre y la dirección del proveedor de quien adquirió nuestro producto.

Lo anterior describe las responsabilidades de la Compañía en toda su extensión. No hay otras garantías, ni explícitas ni implícitas. Específicamente, no hay garantías acerca de la adecuación para un propósito particular y no hay garantías de comerciabilidad. En ningún caso la Compañía será responsable por demoras causadas por imperfecciones, por daños consecuentes ni por ningún otro cargo de gastos de ninguna naturaleza realizados sin su consentimiento escrito. El costo de reparación o reemplazo será la única compensación por cualquier incumplimiento de la garantía. No hay garantía ni se derivará garantía implícita alguna del proceso de comercialización ni de las prácticas comerciales comunes. Esta garantía no será válida para productos que hayan sido reparados o alterados fuera de la fábrica en cualquier sentido que a nuestro criterio afecte su estado o funcionamiento.

Algunos estados no permiten la exclusión o limitación de daños incidentales ni consecuentes, así que la limitación o exclusión anterior puede no tener validez en su caso. Esta Garantía le otorga derechos legales específicos, y usted puede tener otros derechos que varían de un estado a otro.

Mr. Heater, Inc., se reserva el derecho a hacer cambios en cualquier momento, sin previo aviso ni obligación, en los colores, las especificaciones, los accesorios, los materiales y los modelos.

REGISTRO DEL PRODUCTO: Gracias por su compra.

Inicie sesión en <http://www.egiregistration.com> para registrar su producto.



ANSI Z83.7b/CSA2.14b-2009

MR. HEATER, INC., 4560 W. 160TH ST., CLEVELAND, OHIO 44135 • 800-251-0001

Mr. Heater es una marca comercial registrada de Enerco Group, Inc.

© 2015, Enerco Group, Inc. Todos los derechos reservados.