

# **VEVOR<sup>®</sup>**

**TOUGH TOOLS, HALF PRICE**

Technical Support and E-Warranty Certificate [www.vevor.com/support](http://www.vevor.com/support)

## **WALL MOUNT SERVER ENCLOSURE USER MANUAL**

We continue to be committed to provide you tools with competitive price.

"Save Half", "Half Price" or any other similar expressions used by us only represents an estimate of savings you might benefit from buying certain tools with us compared to the major top brands and does not necessarily mean to cover all categories of tools offered by us. You are kindly reminded to verify carefully when you are placing an order with us if you are actually saving half in comparison with the top major brands.

# VEVOR®

TOUGH TOOLS, HALF PRICE

## WALL MOUNT SERVER ENCLOSURE

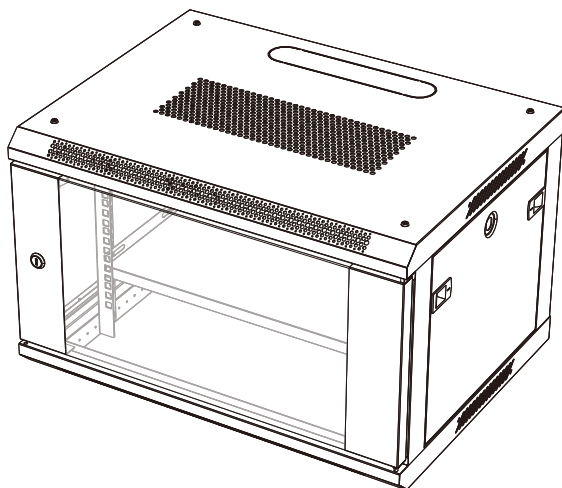
THIS MANUAL APPLIES TO THE FOLLOWING SKUS:

W26406

W26409

W26412

W36412



### NEED HELP? CONTACT US!

Have product questions? Need technical support? Please feel free to contact us:

 [CustomerService@vevor.com](mailto:CustomerService@vevor.com)

This is the original instruction, please read all manual instructions carefully before operating. VEVOR reserves a clear interpretation of our user manual. The appearance of the product shall be subject to the product you received. Please forgive us that we won't inform you again if there are any technology or software updates on our product.

Thank you for purchasing the Performance Series Wall Mount Cabinet from VEVOR.

Every effort has been made to ensure the accuracy of the information in this product manual.

## **IMPORTANT SAFETY INSTRUCTIONS**

Keep the enclosure free from moisture, extremes of temperature, combustible substances and gases, conductive pollutants, dust, and direct sunlight in a controlled indoor environment. Allow sufficient room for appropriate ventilation at the front and back of the enclosure. The enclosure's external ventilation openings must not be blocked, covered, or inserted with items.

Please call or email us if you have any concerns about the installation or use of your product. Please inspect the product for any missing or defective components. Ask VEVOR for help if any component is broken or missing. If the product has been affected, do not try to install or use it. To prevent harm during assembly, place the product contents on cardboard or another safe surface. Improper installation or use of this product can result in product damage, other damage to equipment, or personal injury.

It is advised that the installation be performed by a professional installer. VEVOR cannot be held liable for equipment damage or physical injuries resulting from inappropriate product usage or installation. Please ensure that the equipment stored/mounted should not exceed the stated weight capacity.

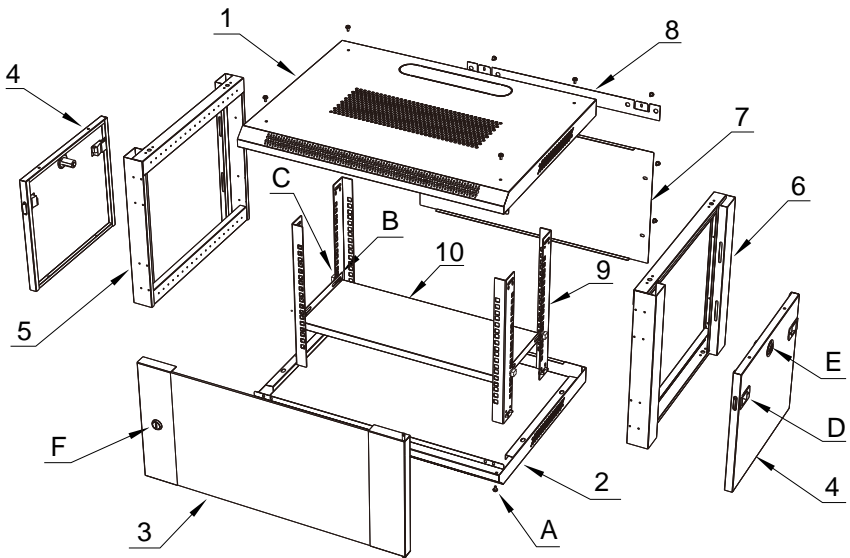
### **Use of Trademarks, Registered Trademarks, and other Protected Names and Symbols**

This manual may make reference to trademarks, registered trademarks, and other protected names and/or symbols of third-party companies not related in any way to VEVOR. These references are provided for informational purposes only and do not represent an endorsement of a

product or service by VEVOR, or an endorsement of the product(s) to which this manual applies by the third-party company in question. Regardless of any direct acknowledgment elsewhere in the body of this document, VEVOR hereby acknowledges that all trademarks, registered trademarks, service marks, and other protected names and/or symbols contained in this manual and related document are the property of their respective holders.

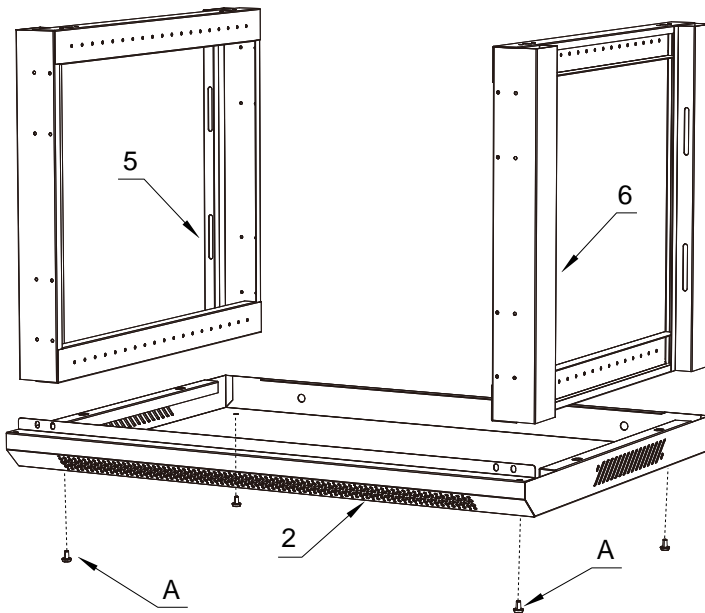
**Limitations of Liability:** VEVOR will not be responsible for any injury or damage, whether direct or indirect, special, punitive, incidental, or consequential damages (including, but not limited to, lost profits or revenue, loss of use, lost business opportunities, or loss of goodwill), or the costs of procuring substitute products, arising out of or in connection with the use of the product. In no case can seller's gross accumulated liability, arising from all causes of action and theories of liability, exceed the total sums actually charged by customer to seller under the order giving rise to any liability hereunder.

## PARTS IDENTIFICATION

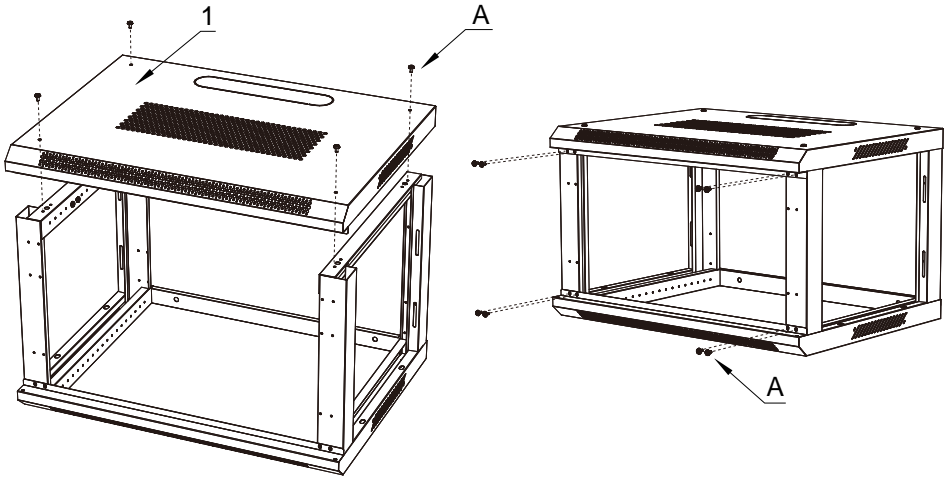


1. Top Panel	x1	A: M5 Screws	x40
2. Bottom Panel	x1	B: M6 Hex Head Screws	x15
3. Front Door	x1	C: M6 Cage Nuts	x15
4. Side Panels	x2	D: Side Panel Latches	x4
5. Left Frame	x1	E: Side Panel Lock Kitx2	x2
6. Right Frame	x1	F: Front Door Lock Kit	x1
7. Rear panel	x1	G: M10 Expansion screws	x4
8. Rear suspension	x1	H:hex brass nut for screw bolt	x1
9. Vertical Mounting Rails	x4	I:expansion bolts	x4
10 . Pallet	x1		

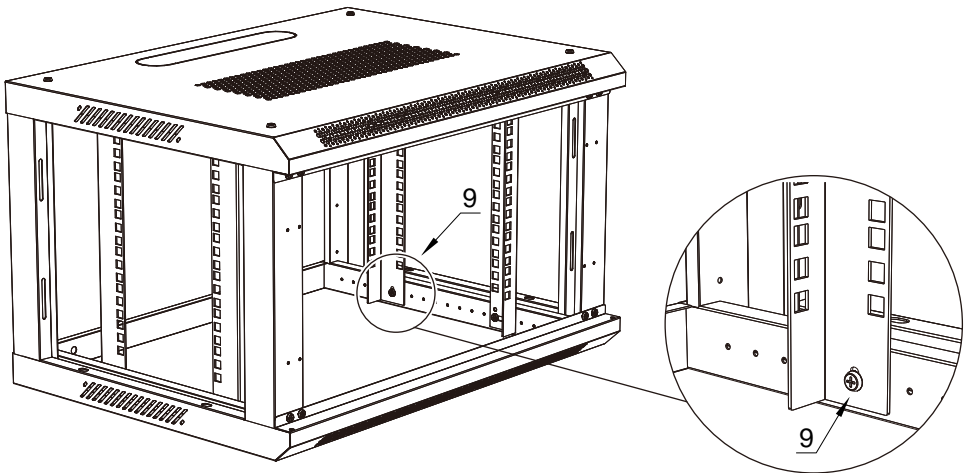
## ENCLOSURE INSTALLATION



1: Insert the Left Frame (#5) and the Right Frame (#6) into the Bottom Panel (#2), Secure with M5 Screws (A) .



2: Place the Top Panel (#1) onto the Left Frame (#5) and the Right Frame (#6). Secure with M5 Screws(A) .

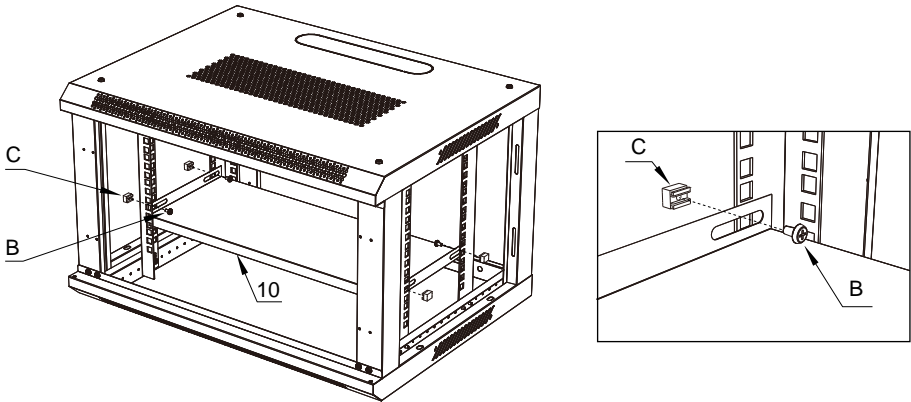


3: Install the 4 Vertical Mounting Rails (#9) into place at the desired depth using M5 Screws(A) for each Vertical Mounting Rails (#9).

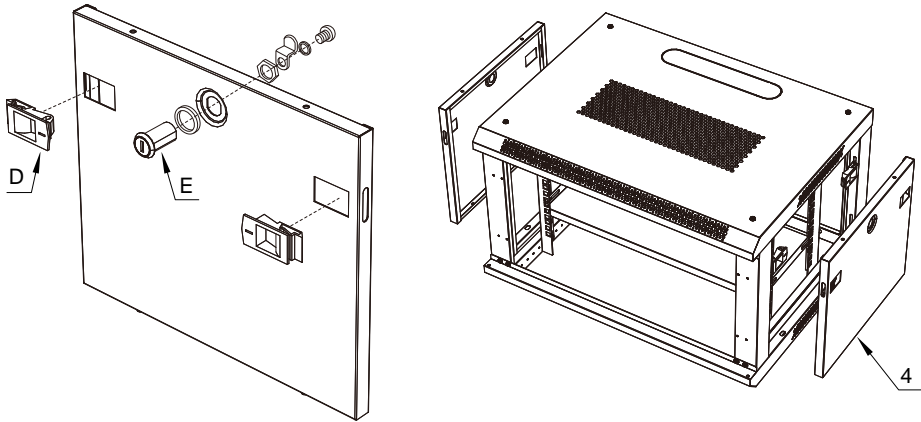
**Note:** Please consider the equipment you plan to install within the



enclosure while deciding the appropriate mounting depth. Make sure the rail depth on both sides of the cabinet is the same.

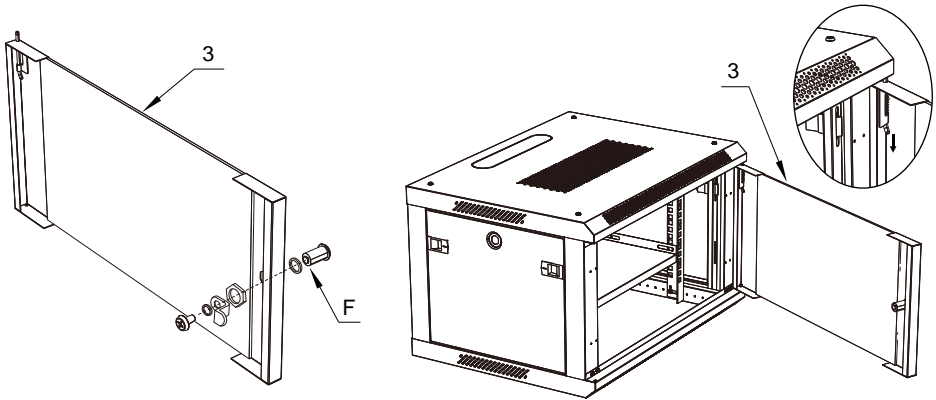


4: Install the Pallet (#10) into place at the desired height ,Secure with M6 Hex Head Screws (B) and M6 Cage Nuts (C).



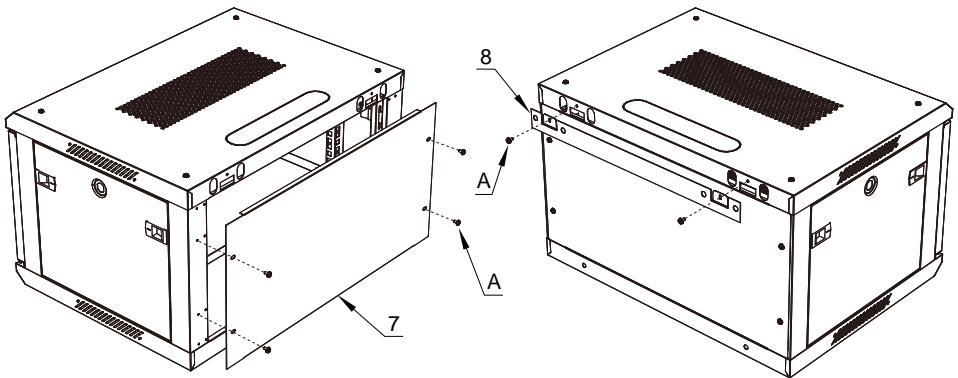
5: Install the Side Panel Latches ( D) and the Side Panel Lock Kit ( E) on the two Side Panels (#4).

6: Install the two Side Panels (#4) into place using the Side Panel Latches(E). Once each Side Panel (#4) is in place, check to see whether the Side Panel Lock locks properly.



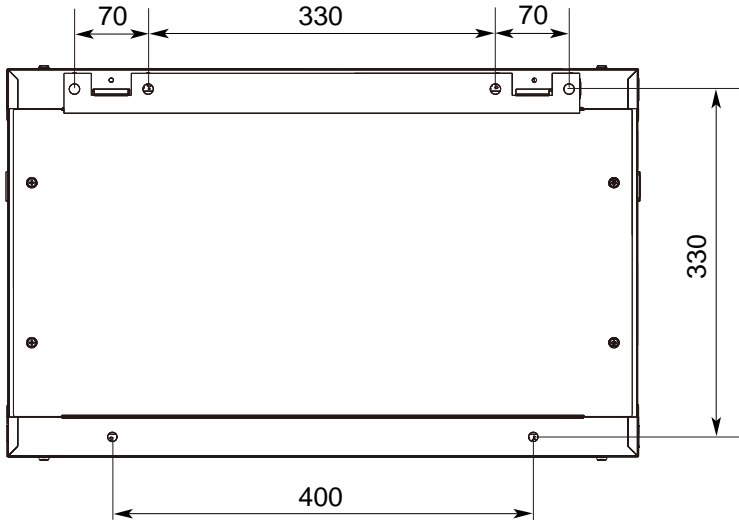
7: Install the Front Door Lock (F) on the Front Door (#3).

8: Position the Front Door (#3) so that the top and bottom pins are aligned with the hinge hole located in the enclosure. Insert the bottom fixed pin into the bottom hinge hole. Pull the top spring pin down into the hole in the top corner and release it.



9: Install the Rear panel ( #7) and the Rear suspension (#8) ,Secure with M5 Screws(A) .

## WALL MOUNTING THE ENCLOSURE



1: Attach the rack to a wall or other suitable mounting surface using M10 Expansion screws(G). The mounting hole distance is shown in Fig, apart to accommodate standard stud placement as reflected in the diagram.

**Warning: Do not attempt to mount to wall when equipment is mounted inside the enclosure. The enclosure has a weight capacity of 100 pounds. Make sure the type of wall structure and mounting hardware that you are using will properly support the weight of the enclosure and equipment. For the safety, two people to install.**

## PRODUCT PARAMETER

Name	Wall Mount Server Enclosure			
<b>Model</b>	W26406	W26409	W26412	W36412
<b>Door</b>	Tempered Glass Door	Tempered Glass Door	Tempered Glass Door	Mesh Iron Door
<b>Installation Width Standard</b>	19"			
<b>Height</b>	6U	9U	12U	12U
<b>Ground-Mounted Load-Bearing</b>	200 lbs			
<b>Wall-Mounted Load-Bearing</b>	100 lbs			
<b>Product Size</b>	350 *450*600mm	500*450*600mm	640*450*600mm	640*450*600mm
<b>Package Size</b>	660*545*230mm	660*545*230mm	710*700*235mm	710*700*235mm
<b>Weight</b>	N.W.: 14.45 Kg G.W.: 16.45 Kg	N.W.: 17.76Kg G.W.: 19.76Kg	N.W.: 21.08Kg G.W.: 23.43Kg	N.W.: 19.28Kg G.w.: 21.63Kg

**Address:** Baoshanqu Shuangchenglu 803long 11hao 1602A-1609shi  
Shanghai

**Imported to USA:** VEVOR STORE INC, 9448 RINCHMOND PL #E  
RANCHO CUCAMONGA, California, 91730 United States of America

**Made In China**

**VEVOR**<sup>®</sup>

**TOUGH TOOLS, HALF PRICE**

**Technical Support and E-Warranty Certificate**  
**[www.vevor.com/support](http://www.vevor.com/support)**