

VEVOR[®]

TOUGH TOOLS, HALF PRICE

Technical Support and E-Warranty Certificate www.vevor.com/support

SHEET SANDER

MODEL: OS-005

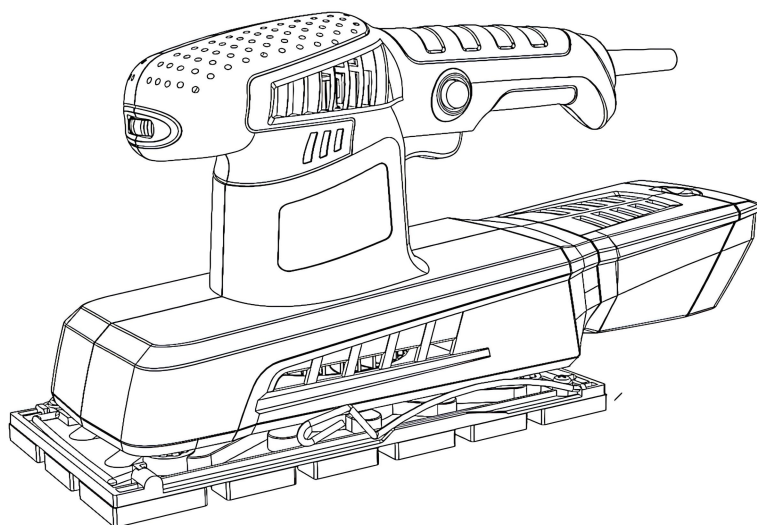
We continue to be committed to provide you tools with competitive price. "Save Half", "Half Price" or any other similar expressions used by us only represents an estimate of savings you might benefit from buying certain tools with us compared to the major top brands and does not necessarily mean to cover all categories of tools offered by us. You are kindly reminded to verify carefully when you are placing an order with us if you are actually saving half in comparison with the top major brands.

VEVOR®

TOUGH TOOLS, HALF PRICE

SHEET SANDER

MODEL: OS-005







NEED HELP? CONTACT US!

Have product questions? Need technical support? Please feel free to contact us:

Technical Support and E-Warranty Certificate
www.vevor.com/support

This is the original instruction, please read all manual instructions carefully before operating. VEVOR reserves a clear interpretation of our user manual. The appearance of the product shall be subject to the product you received. Please forgive us that we won't inform you again if there are any technology or software updates on our product.

	<p>Warning-To reduce the risk of injury, user must read instructions manual carefully.</p>
     	<p>Always wear ANSI approved safety goggles when working with tools and equipment. Wear eye protection. Wear ear protection. Wear protective gloves. Wear a dust mask. Wear protective, slip-resistant footwear.</p>
	<p>Compliance is a ETL security certification.</p>
	<p>This product is subject to the provision of European Directive 2012/19/EC. The symbol showing a wheelie bin crossed through indicates that the product requires separate refuse collection in the European Union. This applies to the product and all accessories marked with this symbol. Products marked as such may not be discarded with normal domestic waste, but must be taken to a collection point for recycling electrical and electronic devices.</p>
	<p>Switch the product off and disconnect it from the power supply before assembly, cleaning, adjustments, maintenance, storage and transportation.</p>
	<p>This product is of protection class II. That means it is equipped with enhanced or double insulation.</p>

	Do not expose charger and battery pack to water.
	Use battery and charger only in closed rooms.
	Do not incinerate battery pack or charger.
	Protect from the rain.

PRODUCT PARAMETERS

MODEL	Region	Voltage	Power
OS-005	North America	AC110-120 V 60Hz	320W
No-load Speed		6000~12000 RPM	
Pad Size		230x115mm	

Note: Please use the correct power source voltage.

IMPORTANT SAFEGUARDS

Thank you for using this product. In order to make sure that you can operate the machine correctly, read this instruction carefully before operation and keep it properly for future reference. Please be sure to read the precautions and safety rules on this page to ensure your safe use.

This manual will outline safety warnings and precautions, operating, maintenance and cleaning. The warnings and instructions reviewed in this manual cannot cover all possible conditions and situations that may occur. Caution and common sense are not built into this product, since we believe that the uses will comply with these

codes. If you have any problems, please call us. Do not try to fix the problems yourself, or it will cause injury or property damage.

Please read ALL the instructions before using your machine.

1. WORK AREA SAFETY

- Keep work area clean and well lit. Cluttered or dark areas invite accidents.
- Do not operate power tools in explosive atmospheres, such as in the presence of flammable liquids, gases or dust. Power tools create sparks which may ignite the dust or fumes.
- Keep children and bystanders away while operating a power tool. Distractions can cause you to lose control.

2. ELECTRICAL SAFETY

- Always check that the power supply corresponds to the voltage on the rating plate.
- Power tool plugs must match the outlet. Never modify the plug in any way. Do not use adapter plugs with earthed power tools. Unmodified plugs and matching outlets will reduce the risk of an electric shock.
- Avoid body contact with earthed surfaces such as pipes, radiators, kitchen ranges and refrigerators. There is an increased risk of an electric shock if your body is earthed.
- Do not expose power tools to rain or wet conditions. If water gets inside a power tool, it will increase the risk of an electric shock.
- Do not damage the cord. Never use the cord for carrying, pulling or unplugging the power tool. Keep the cord away from heat, oil, sharp edges or moving parts. Damaged or entangled cords increase the risk of an electric shock.
- When operating a power tool outdoors, use an extension cable suitable for outdoor use. Using a cord suitable for outdoor use reduces the risk of an electric shock.
- If operating a power tool in a damp location is unavoidable, use a power supply protected by a residual current device (RCD). Using an RCD reduces the risk of an electric shock.

3. PERSONAL SAFETY

- Stay alert, watch what you are doing and use common sense when operating a power tool. Do not use a power tool while you are tired or under the influence of drugs, alcohol or medication. A moment of inattention while operating power tools may result in serious personal injury.
- Use personal protective equipment. Always wear eye protection. Protective equipment such as dust mask, non-skid safety shoes, hard hat, or hearing protection used for appropriate conditions will reduce personal injuries.
- Prevent unintentional starting. Ensure the switch is in the off-position before connecting to power source and/or battery pack, picking up or carrying the tool. Carrying power tools with your finger on the switch or energising power tools that have the switch on invites accidents.
- Remove any adjusting key or wrench before turning the power tool on. A wrench or a key left attached to a rotating part of the power tool may result in personal injury.
- Do not overreach. Keep proper footing and balance at all times. This enables better control of the power tool in unexpected situations.
- Dress properly. Do not wear loose clothing or jewelry. Keep your hair, clothing and gloves away from moving parts. Loose clothes, jewelry or long hair can be caught in moving parts.
- If devices are provided for the connection of dust extraction and collection facilities, ensure these are connected and properly used. Use of dust collection can reduce dust-related hazards.

4. POWER TOOL USE AND CARE

- Do not expect the power tool to do more than it can. Use the correct power tool for what you want to do. A power tool will achieve better results and be safer if used in the context for which it was designed.
- Do not use the power tool if the switch cannot turn it on and off. A power tool with a broken switch is dangerous and must be repaired.
- Disconnect the plug from the power source before making adjustments, changing accessories, or storing power tools. Such preventive safety measures

reduce the risk of starting the power tool accidentally.

- Store power tools, when not in use, out of the reach of children and do not allow people who are not familiar with the power tool or these instructions to operate it. Power tools are potentially dangerous in the hands of untrained users.
- Maintain power tools. Check for misalignment or jammed moving parts, breakages or any other feature that might affect the operation of the power tool. If it is damaged, the power tool must be repaired. Many accidents are caused by using poorly maintained power tools.
- Keep cutting tools sharp and clean. Properly maintained cutting tools with sharp cutting edges are less likely to jam and are easier to control.
- Use the power tool, accessories and cutting tools, etc., in accordance with these instructions and in the manner intended for the particular type of power tool, taking into account the working conditions and the work which needs to be done. Using a power tool in ways for which it was not intended can lead to potentially hazardous situations.

5. SERVICE

Your power tool should be serviced by a qualified specialist using only standard spare parts. This will ensure that it meets the required safety standards.

- a) Use only the manufacturer's recommended replacement parts and accessories.
- b) Inspect and maintain the machine regularly. Have the machine repaired only by an authorized repairer.
- c) When not in use, store the machine out of the reach of children.

Special safety instructions for Palm Sander

- Hold your power tool by the insulated gripping surfaces, especially when performing an operation where the accessory could contact hidden wiring.
- Protect your lungs. Wear face or dust mask during operation. Following this rule will reduce the risk of serious respiratory injury.
- Protect your hearing. Wear hearing protection during extended periods of operation. Following this rule will reduce the risk of serious personal injury.

- Check damaged parts. Before further use of the tool. Following this rule will reduce the risk of injury.
- Save these instructions. Refer to them frequently and use them to instruct others who may use this product. If you loan this product, loan them these instructions also.
- Do not use the sander to remove lead-based paints.
- To reduce the risk of any vibration related injury wear gloves, take vibration-free breaks, use the tool on the lowest setting, Grip the tool as lightly as possible (while still keeping safe control of it). Let the tool do the work!
- Remove all nails from lumber before using this tool. Following this rule will reduce the risk of injury.
- Do not operate around pets or small children unless they are out of harms way!

NOISE / VIBRATION INFORMATION

Measured sound values determined according to EN 60745.



Wear hearing protection!

Vibration total values (triax vector sum) determined according to EN 60745:

The vibration emission level given in this information sheet has been measured in accordance with a standardised test given in EN 60745 and may be used to compare one tool with another.

It may be used for a preliminary assessment of exposure.

The declared vibration emission level represents the main applications of the tool. However if the tool is used for different applications, with different accessories or poorly maintained, the vibration emission may differ. This may significantly increase the exposure level over the total working period.

An estimation of the level of exposure to vibration should also take into account the times when the tool is switched off or when it is running but not actually doing the job. This may significantly reduce the exposure level over the total working period.

Identify additional safety measures to protect the operator from the effects of vibration such as: maintain the tool and the accessories, keep the hands warm, organisation of work patterns.

OPERATION AND MAINTANENCE

Observe the applicable regulations when sanding painted surfaces.

1. Whenever possible, use a vacuum extractor for dust collection.
2. Take special care when sanding lead based paint. All persons entering the work area, must wear a Mask against paint, dust and fumes. Do not eat, drink or smoke in the work area.
3. To switch the machine to continuous mode, keep the on/off switch fully pressed and simultaneously Press the lock button. To switch off continuous mode, press the on/off switch again.

FITTING SANDING SHEETS

1. Open the paper clamps.
2. Take sanding paper of the required grain size and place it on the sanding pad. Make Sure that the perforation in the paper correspond with those on the sanding pad.
3. Fold the sanding paper at both Ends around the edges of the sanding pad. Close the paper clamps one by one. Make sure that the ends of the Sanding paper are clamped. The sanding paper must be fitted firmly on the sanding pad and should not come loose.

USING THE DUST EXTRACTION CONNECTION

1. The dust extraction connector together with an external vacuum cleaner takes care of the dust extraction of The working surface.
2. Slide the suction mouth of a vacuum cleaner onto the connection.
3. If you want to use The dust bag. Slide the dust bag onto the connector.

Regularly empty the dust bag to ensure optimum dust Extraction.

ADJUSTING THE SPEED

- Turn the adjusting wheel as indicated on switch to set the maximum speed.

CLEANING AND MAINTENANCE

DANGER! Always pull out the mains power plug before starting any cleaning work.

CLEANING

Keep all safety devices, air vents and the motor housing free of dirt and dust as far as possible. Wipe the equipment with a clean cloth or blow it with compressed air at low pressure.

We recommend that you clean the device immediately each time you have finished using it.

Clean the equipment regularly with a moist cloth and some soft soap. Do not use cleaning agents or solvents; these could attack the plastic parts of the equipment. Ensure that no water can seep into the device. The ingress of water into an electric tool increases the risk of an electric shock.

MAINTENANCE

There are no parts inside the equipment which require additional maintenance.

STORING

Store the machine, operating instructions and where necessary the accessories in the original packaging.

In this way you will always have all the information and parts ready to hand.

Pack the device well or use the original packaging in order to avoid transit damage.

Always keep the machine in dry place.

Manufacturer: Shanghaimuxinmuyeyouxiangongsi

Address: Shuangchenglu 803nong11hao1602A-1609shi, baoshanqu, shanghai 200000 CN.

Imported to AUS: SIHAO PTY LTD, 1 ROKEVA STREETEASTWOOD NSW 2122 Australia

Imported to USA: Sanven Technology Ltd., Suite 250, 9166 Anaheim Place, Rancho Cucamonga, CA 91730

EC	REP
-----------	------------

E-CrossStu GmbH
Mainzer Landstr.69, 60329 Frankfurt am Main.

UK	REP
-----------	------------

YH CONSULTING LIMITED.
C/O YH Consulting Limited Office 147, Centurion House,
London Road, Staines-upon-Thames, Surrey, TW18 4AX

VEVOR[®]

TOUGH TOOLS, HALF PRICE

Technical Support and E-Warranty Certificate

www.vevor.com/support