



**We love that you are rocking JLab!  
We take pride in our products and fully stand behind them.**

**JLAB**  
GO TALK USB  
MICROPHONE



**YOUR WARRANTY**

All warranty claims are subject to JLab authorization and at our sole discretion. Retain your proof of purchase to ensure warranty coverage.



**CONTACT US**

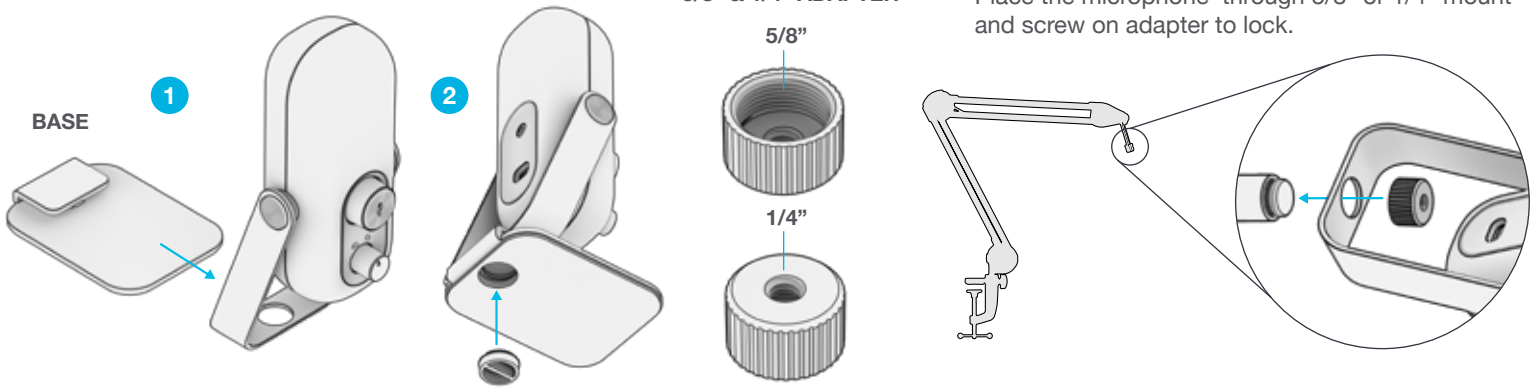
Reach out to us at [support@jlab.com](mailto:support@jlab.com) or visit [jlab.com/contact](http://jlab.com/contact)

**REGISTER TODAY**

[jlab.com/register](http://jlab.com/register)

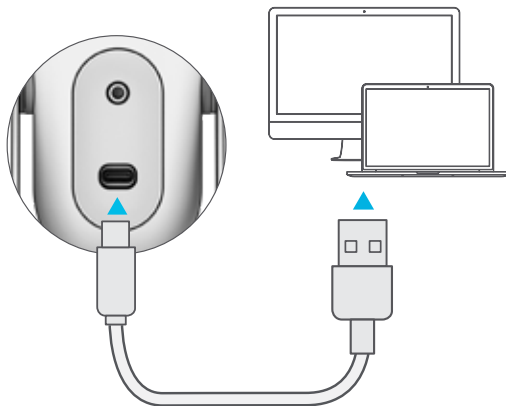
[Product updates](#) | [How-to tips](#)

**ASSEMBLY**

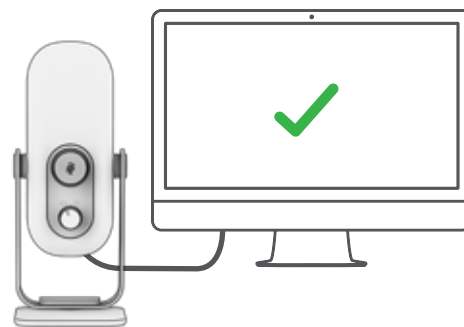


**SETUP**

**1** Connect to your PC or Mac USB INPUT.



**2** Enter your PC or Mac settings to make sure connection is established.



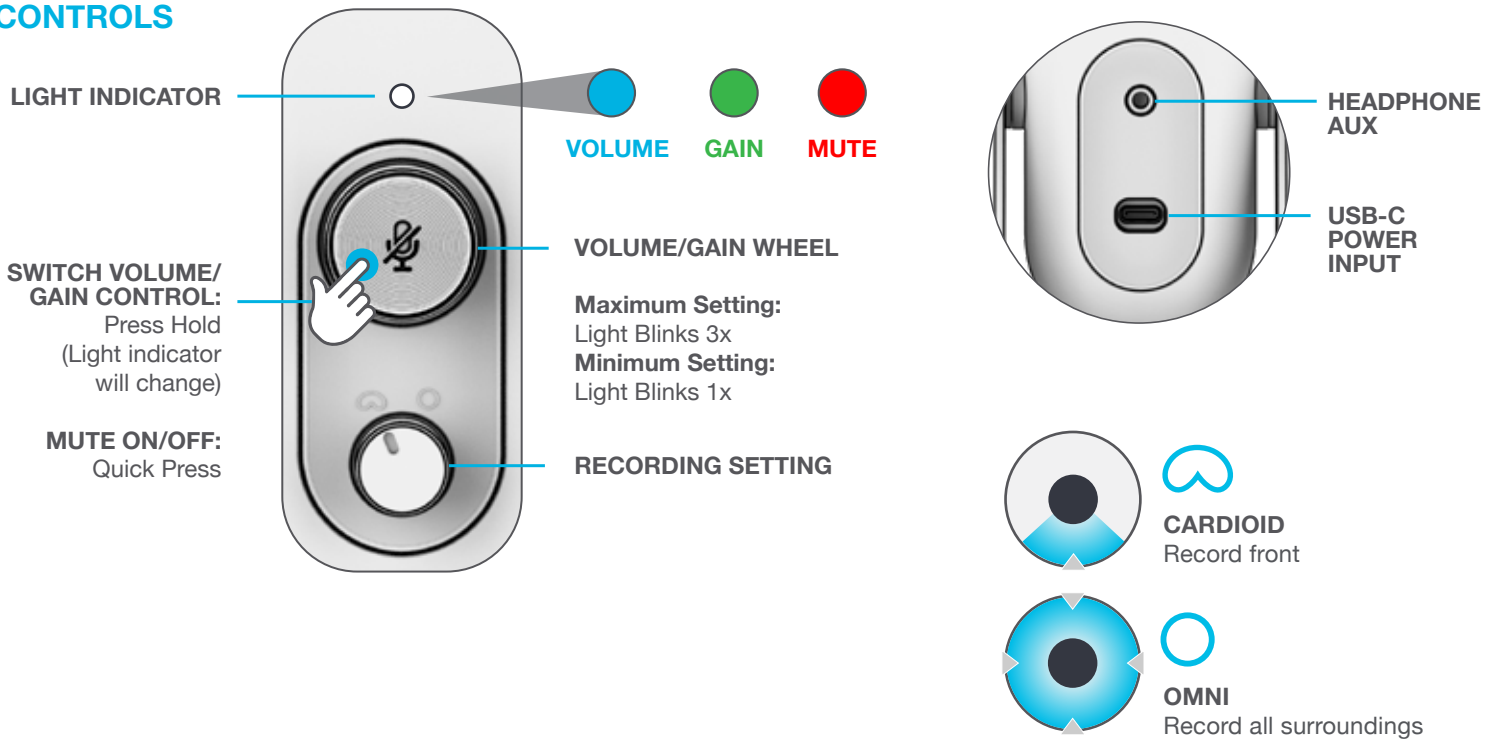
**SETUP GO TALK WITH PC (WINDOWS 7, 8, or 10)**

1. From the Start menu, select the Control Panel.
2. From the Control Panel, select the Sound icon.
3. Select the Recording tab and select "JLab GO Talk".
4. Select the Playback tab and select "JLab GO Talk".

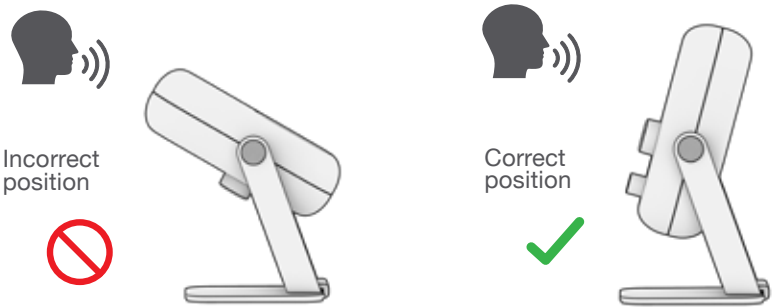
**SETUP GO TALK WITH MAC (macOS 10.10 or HIGHER)**

1. Open System Preferences and select the Sound icon.
2. Select the Input tab and select "JLab GO Talk".
3. Select Output tab and select "JLab GO Talk".
4. From this screen, set the Output volume to desired level.

## CONTROLS



## IN USE



## TIPS / TROUBLESHOOTING

- The GO Talk works with almost any recording software installed on macOS, Windows, or Linux. Review in your software's setting and adjust accordingly.
- No additional drivers/software are needed for the GO Talk. Simply plug in and setup in device settings.
- GO Talk will not work through most tablets or mobile phones due to their power limitations. The output power source needs to produce 5v or greater to operate.
- GO Talk will not work through a power bank/battery pack. It will only work with USB-A input with an operating system.
- If you are connecting through a USB hub or 3rd party adapter, make sure the product has the correct power output support and connection support.
- Using external speakers for playback can cause microphone reverberation and echo. It is recommended to use headphones/earbuds for recording playback if this occurs.



[Shop products](#) | [Product alerts](#) | [Burn-in your headphones](#)

JLab Store + Burn-in Tool

