

# DISHWASHERS

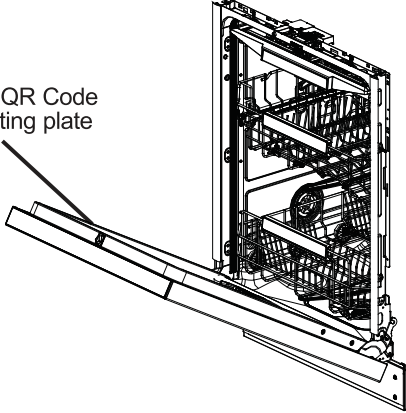
<b>SAFETY INFORMATION</b> .....	2
<b>USING THE DISHWASHER</b>	
Getting Started .....	4
Dispensers .....	8
Consumer Help Indicator .....	9
Appliance Communication .....	10
Loading .....	11
<b>CARE AND CLEANING</b> .....	15
User Setting Mode .....	18
<b>TROUBLESHOOTING TIPS</b> .....	19
<b>CONSUMER SUPPORT</b> .....	22
<b>LIMITED WARRANTY</b> .....	23
<b>INSTALLATION INSTRUCTIONS</b> .....	24

## OWNER'S GUIDE & INSTALLATION INSTRUCTIONS

**ENGLISH  
FRANÇAIS**

GBT500SGVWW  
GBT500SSVSS  
GBT600SSVFS  
PBT700SSVFS

For the latest information, scan the QR Code on the rating plate found on the side door.



Scan the QR Code on the rating plate

This manual contains the Installation Instructions. Follow these instructions completely.

Write the model and serial numbers here:

Model # \_\_\_\_\_

Serial # \_\_\_\_\_

You can find them on a label on the tub wall just inside the door.



0120506644

10-25 MCC

# IMPORTANT SAFETY INFORMATION

## READ ALL INSTRUCTIONS BEFORE USING THE APPLIANCE

**▲WARNING** For your safety, the information in this manual must be followed to minimize the risk of fire, explosion, electric shock, and to prevent property damage, personal injury, or death.

### **▲WARNING** PROPER INSTALLATION AND MAINTENANCE

This dishwasher must be properly installed and located in accordance with the Installation Instructions before it is used. If you did not receive an Installation Instructions sheet with your dishwasher, you can receive one by visiting [www.GEAppliances.ca](http://www.GEAppliances.ca).

- Connect the dishwasher/appliance to a grounded metal, permanent wiring system; or run an equipment-grounding conductor with the circuit conductors and connect to the equipment-grounding terminal or lead of the appliance.
  - Improper connection of the equipment-grounding conductor can result in a risk of electric shock. Check with a qualified electrician or service representative if you are in doubt whether the appliance is properly grounded.
  - Detailed grounding instructions can be found in the "PREPARE ELECTRICAL WIRING" section of the Installation Instructions.
  - Dispose of discarded appliances and shipping or packing material properly.
  - Do not attempt to repair or replace any part of your dishwasher unless it is specifically recommended in this manual. All other servicing should be referred to a qualified technician.
  - Use only cord kit WG04F04614 or hard-wire to building electrical. Failure to follow this instruction, could result in risk of fire and personal injury.
  - To minimize the possibility of electric shock, disconnect this appliance from the power supply before attempting any maintenance.
- NOTE:** Turning the dishwasher off does not disconnect the appliance from the power supply. We recommend having a qualified technician service your appliance.

### **▲WARNING** WHEN USING YOUR DISHWASHER, FOLLOW BASIC PRECAUTIONS, INCLUDING THE FOLLOWING:

- Use this appliance only for its intended purpose as described in this Owner's Manual.
- Use only detergents or wetting agents recommended for use in a dishwasher and keep them out of reach of children. Using a detergent that is not specifically designed for dishwashers will cause the dishwasher to fill with suds.
- Locate sharp items so that they are not likely to damage the door seal.
- Load sharp knives with the handles up to reduce the risk of cut-type injuries.
- Do not wash plastic items unless marked dishwasher safe or the equivalent. For plastic items not so marked, check the manufacturer's recommendations.
- Do not touch the heating element during or immediately after use.
- Do not operate your dishwasher unless all enclosure panels are properly in place.
- Do not tamper with controls.
- Do not abuse, sit on or stand on the door or dish rack of the dishwasher.
- To reduce the risk of injury, do not allow children to play with, on or inside this appliance at any time.
- Do not store or use combustible materials including gasoline or other flammable liquids or vapors in the vicinity of this or any other appliance.
- Small parts can be a choke hazard to small children if removed from the dishwasher. Keep out of reach of small children.

## READ AND SAVE THESE INSTRUCTIONS

# IMPORTANT SAFETY INFORMATION

## READ ALL INSTRUCTIONS BEFORE USING THE APPLIANCE

### **▲WARNING WATER HEATER SAFETY**

Under certain conditions, hydrogen gas may be produced in a water heater that has not been used for two or more weeks. **HYDROGEN GAS IS EXPLOSIVE.**

If the hot water has not been used for two or more weeks, prevent the possibility of damage or injury by turning on all hot water faucets and allowing them to run for several minutes. Do this before using any electrical appliance connected to the hot water system. This simple procedure will allow any built-up hydrogen gas to escape. Since the gas is flammable, do not smoke, use an open flame, or use the appliance during this process.

### **▲WARNING RISK OF CHILD ENTRAPMENT**

#### **PROPER DISPOSAL OF THE DISHWASHER**

Junked or abandoned dishwashers are dangerous...even if they will sit for "just a few days." If you are getting rid of your dishwasher, please follow the instructions below to help prevent accidents.

- Do not allow children to play with, on, or inside this or any discarded appliance.
- Take off the door of the washing compartment.

### **▲CAUTION TO PREVENT MINOR INJURY AND PROPERTY DAMAGE**

- During or after wash cycle, contents may be hot to the touch. Use care before handling.
- Close supervision is necessary if this appliance is used by or near children. Do not allow children to play around the dishwasher when closing the door, closing the upper rack, or while vertically adjusting the upper rack due to the possibility of small fingers being pinched.
- Non-Dishware Items: Do not wash items such as electronic air cleaner filters, furnace filters and paint brushes in your dishwasher. Damage to the dishwasher and discoloration or staining of the dishwasher may result.

### **ELECTRICAL REQUIREMENTS**

Be sure that the electrical connection and wire size are adequate and in conformance with the National Electric Code, ANSI/NFPA 70 – latest edition, and all local codes and ordinances.

#### **This appliance must have:**

- 120V, 60Hz, AC-only, 15-ampere or 20-ampere, fused electrical supply.
- Wiring must be 2 wire with ground and rated for 75°C (167°F).

- If the electrical supply does not meet the above requirements, call a licensed electrician before proceeding.

#### **It is recommended to have:**

- A circuit breaker or time-delay fuse.
- A properly grounded individual branch circuit.

### **▲NOTICE**

- If your dishwasher is connected to a wall switch, ensure that the switch is on prior to use.
- If you choose to turn the wall switch off between wash cycles, allow 5-10 seconds after turning the switch on before touching **Start** to allow the control to initialize.
- Use only powder, **Cascade® Platinum™ ActionPacs™** or **Finish® Quantum® Automatic Dishwashing Detergent**, liquid detergents or rinse agents recommended for use in a dishwasher and keep them out of the reach of children. **Cascade® Platinum™ ActionPacs™** or **Finish® Quantum® Automatic Dishwashing Detergent**, and **Cascade® Platinum™ Power Dry™ Rinse Aid** or **Finish® Jet-Dry® Rinse Aid** rinse agents have been approved for use in all GE Appliances dishwashers.

### **Proper Disposal of your Appliance**

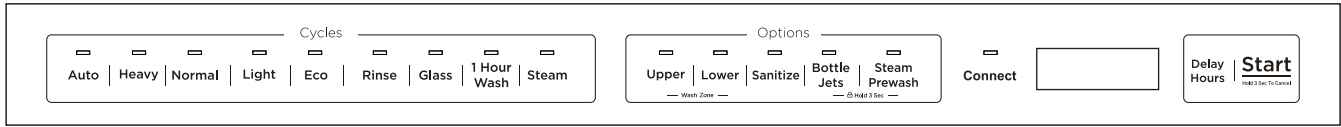
- Dispose of or recycle your discarded appliance in accordance with Federal and Local Regulations. Contact your local authorities for the environmentally safe disposal or recycling of your discarded appliance.
- Consider recycling options for your appliance packaging material.

## READ AND SAVE THESE INSTRUCTIONS

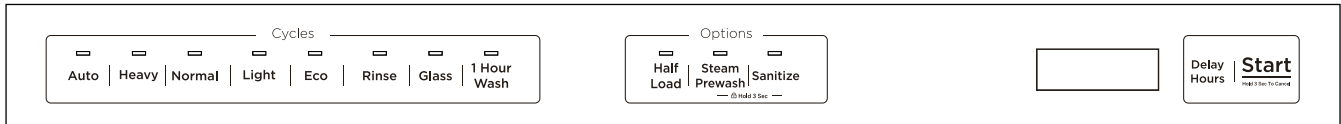
# Getting started

Features and appearance will vary throughout this manual

## PBT700



## GBT600

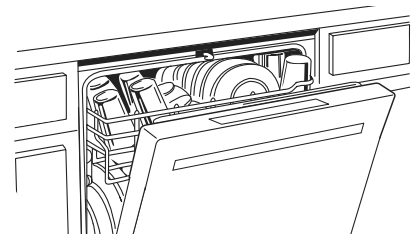


## GBT500



### 1 Load Dishwasher

For best dishwashing results, follow the loading guidelines found in the **Loading** section. No pre-rinsing of normal food soil is required. Scrape off hard soils, including bones, toothpicks, skins, and seeds. Remove leafy vegetables, meat trimmings, and excessive amounts of grease or oil.



### 2 Add Detergent

Add needed amount of detergent to the detergent dispenser. Use high quality detergents such as **Cascade® Platinum™ ActionPacs™** or **Finish® Quantum® Automatic Dishwashing Detergent**. See **Dispensers** section.

### 3 Add Rinse Agent

Add high quality rinse agents such as **Cascade® Platinum™ Power Dry™ Rinse Aid** or **Finish® Jet-Dry® Rinse Aid** to the rinse agent dispenser. See **Dispensers** section. **NOTE:** The use of rinse aid can further enhance the dishwasher's drying performance.

### 4 Select Cycle

Open the door and press the **Wash Program** or **Cycle Select** pad for the desired wash cycle. The light next to the pad will be lit to indicate which wash cycle has been selected.

**NOTE:** Cycle times vary based on soil level, water temperature, and options selected.

The cycle must be selected with the door in the open position. The cycle will not start until the **Start** pad is pushed and the door is closed within 4 seconds.

**Auto / AutoSense** This cycle automatically senses the soil level and adjusts the wash cycle accordingly. **NOTE:** AutoSense was used to rate the energy efficiency of GBT500 models. \*Time range: 1 hour 22 minutes - 2 hours 30 minutes (Auto), 3 hours 55 minutes - 4 hours 25 minutes (AutoSense).

**Heavy** This cycle is meant for heavily soiled dishes, cookware, pots, or pans with dried-on or baked-on soils. Everyday dishes are safe to be used in this cycle. \*Time: 2 hours 23 minutes.

# Getting started

---

<b>Normal</b> (on some models)	This cycle is meant for daily, regular, or typical use to completely wash a full load of normally soiled dishes and is designed to conserve both water and energy. <b>NOTE: Normal</b> was used to rate the energy efficiency of PBT700, GBT600 models. *Time: 3 hours 22 minutes (PBT700) or 2 hours 44 minutes (GBT600).
<b>Light</b>	This cycle is for light to medium soiled dishes. It is safe for china and crystal with no options selected. *Time: 44 minutes.
<b>Eco</b> (on some models)	This cycle is for normally soiled dishes. and is designed to optimum water and energy usage. *Time: 5 hours 3 minutes (PBT700) or 3 hours 55 minutes (GBT600).
<b>Rinse</b> (on some models)	For rinsing partial loads that will be washed later. Do not use detergent. Detergent is not dispensed during the rinse cycle. *Time: 10 minutes.
<b>Glass</b> (on some models)	For lightly soiled and heat sensitive crockery and glassware such as wine glasses. *Time: 1 hour 17 minutes.
<b>1 Hour wash</b> (on some models)	This cycle will quickly wash lightly soiled dishes. *Time: 60 minutes.
<b>Steam</b> (on some models)	This cycle will increase the temperatures and retains them for an extra long time to obtain a defined disinfection performance. *Time: 2 hours 19 minutes.

\*Auto Hot Start, or options. **NOTE:** If the incoming water temperature is too low, the Auto Hot Start feature may add up to 30 minutes of additional time.

---

## 5 Select Options

The light by the selected pad will be lit to indicate which Option has been selected.

<b>Upper</b> (on some models)	This option is for washing the dishes only placed in the upper and third rack. This will shorten the cycle time and conserve energy.
<b>Lower</b> (on some models)	This option is for washing the dishes only placed in the lower rack. This will shorten the cycle time and conserve energy.
<b>Bottle Jets</b> (on some models)	This option increases the time that the bottle jets are on. Use this to wash difficult to clean, dishwasher safe baby bottles, sport bottles, tall coffee cups, etc.
<b>Steam Prewash</b> (on some models)	This option increases the temperature and cycle time by 30 minutes of prewash.
<b>Half Load</b> (on some models)	This option is for placed 1/2 load or less load. This will shorten the cycle time and conserve energy.
<b>Boost</b> (on some models)	This option raises water temperature and extends cycle time in order to achieve better wash performance.

# Getting started

---

<b>Sanitize</b>	<p>This option raises the water temperature in the final rinse to sanitize your dishware. The cycle length may vary depending on the temperature of your inlet water.</p> <p><b>NOTE:</b> Cycles using this option are monitored for sanitization requirements. If the cycle is interrupted during or after the main wash portion or if the incoming water temperature is so low that adequate water heating cannot be achieved, the sanitizing conditions may not be met. In these cases, the Sanitized light will not illuminate at the end of the cycle. Utilizing this option will modify the cycle to meet the requirements of Section 6, NSF 184 for soil removal and sanitization efficacy.</p> <p><b>NOTE:</b> NSF certified residential dishwashers are not intended for licensed food establishments.</p> <p><b>Warning:</b> NSF only sanitizing cycles have been designed to meet the requirements of 6 for soil removal and sanitization efficacy.</p>
<b>Delay Start / Delay Hours</b>	<p>This option allows you to delay the start of a wash cycle for up to 12 hours. With the door open and a cycle selected, press the <b>Delay Start</b> or <b>Delay Hours</b> pad to choose the number of hours you want to delay the start of the wash cycle. The hours will show in the display window. <b>NOTE:</b> You may cancel the Delay Start timer by holding the <b>Start</b> pad for 3 seconds. This will also cancel the wash cycle.</p>
<b>Lock Controls</b>	<p>You can lock the controls to prevent selections from being made. You can also lock the controls after you have started a cycle to prevent cycle changes. For example, children cannot accidentally start the dishwasher by pressing pads with this option selected.</p> <p><b>To LOCK/UNLOCK</b> the dishwasher control, press and hold the pads for 3 seconds. The lock control light (🔒) will turn on to indicate the control is locked and will turn off to indicate the control is unlocked.</p> <p>For the <b>PBT700</b> models, press and hold the <b>Steam Prewash</b> and <b>Bottle Jets</b> pads.</p> <p>For the <b>GBT600</b> models, press and hold the <b>Steam Prewash</b> and <b>Sanitize</b> pads.</p> <p>For the <b>GBT500</b> models, press and hold the <b>Cycle Select</b> and <b>Wash Temp</b> pads.</p>

## 6 Start Dishwasher

<b>Start</b>	<p>Press the <b>Start</b> pad and close the door within 4 seconds to start the cycle or begin the <b>Delay Start</b> countdown. The Start light or Display will turn on. The wash cycle will begin shortly and then pump out for 35 seconds prior to filling the dishwasher with water. The display will turn off if the door remains open for 30 seconds. To activate the display, press any pad with the door open.</p>
<b>Interrupt or Pause</b>	<p>To interrupt or pause a cycle, slowly open the door. Opening the door will cause the wash cycle to pause. After 7 minutes the dishwasher will beep every 90 seconds to remind you to close the door. To restart or resume the cycle, press <b>Start</b> pad, and close the door within 4 seconds.</p>
<b>Cancel</b>	<p>To cancel a wash cycle, press and hold the <b>Start</b> pad for 3 seconds and close door. The dishwasher will emit a beep sound, press and hold the <b>Start</b> pad for 3 seconds the wash cycle light will turn off.</p>

## 7 Cycle Indicator Lights and Sounds

<b>Sanitized</b> (on some models)	<p>Displayed at end of the cycle when Wash Temp Sani or Sanitize Temp has been selected and dishwasher has met requirements for sanitization. See Wash Temp Sani or Sanitize Temp, for complete description. Closing door or pressing any pad will turn off light.</p>
<b>Clean</b> (on some models)	<p>Displayed when a wash cycle is complete. The light stays ON as a reminder that the dishes are clean.</p>
<b>Cycle Status</b> (on some models)	<p>The indicator light on the door front will change color to indicate the wash status. During the wash cycle, the indicator light will be amber. When the wash cycle is complete, the light will change to white.</p>
<b>Sounds</b>	<p>The dishwasher will emit a sound to indicate cycle completion, pad presses, and door ajar.</p>

# Getting started

---

**Sabbath/Door Wake Up Mode** To turn this option ON/OFF, press and hold the pads for 3 seconds, close the door for the dishwasher to go into sleep mode. In the OFF mode, the control display, control sounds, and interior lights (on some models) will not respond to the door opening/closing. This mode can be used when observing certain religious holidays such as the Sabbath. To activate the control and interior lights (on some models), press any pad for 3 seconds.  
For the **PBT700, GBT600** models. press and hold **Start** and **Heavy** pads.  
For the **GBT500** models. press and hold **Start** and **Wash Temp** pads.

---

## 8 Start and Close the Wi-Fi connect (on some models)

Press and hold the **Connect** pad for 3 seconds to enter configuration mode. The display show the 'App' and the Wi-Fi light (📶) will start blinking. If the configuration is successful, the dishwasher will emit a beep sound and the Wi-Fi light (📶) will turn on, but connect light still turn off. After Wi-Fi connect successfully, follow the tips of the App. Press and hold the **DELAY** pad for 3 seconds to enter remote setting and connect light will turn on. Can remote to use app operate the dishwasher.

---

## 9 Automatic door opening

After the wash the door will automatically open slightly to assist with drying.\* For best results, unload dishes once cooled. This feature can be disabled, refer to **User Settings Mode** section.  
For the **PBT700, GBT600** models. In ECO wash cycle, the Automatic door opening feature can not be disabled. Rinse wash cycle without Automatic door opening feature.  
For the **GBT500** models. In AutoSense (Auto|Normal) wash cycle, the Automatic door opening feature can not be disabled.

---

## Check the Water Temperature

The entering water should be at least 120°F (49°C) and not more than 150°F (66°C) for effective cleaning and to prevent dish damage. Check the water temperature with a candy or meat thermometer.  
Turn on the hot water faucet nearest the dishwasher, place the thermometer in a glass and let the water run continuously into the glass until the temperature stops rising.

# Dispensers

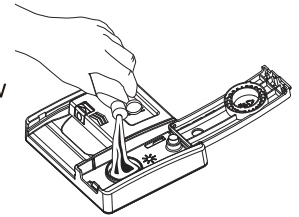
## Use a Rinse Agent

High quality rinse agents such as **Cascade® Platinum™ Power Dry™ Rinse Aid** or **Finish® Jet-Dry® Rinse Aid** are designed for great drying action and to protect against spots and film build-up on your dishes, glasses, flatware, cookware, and plastic.

## Filling the Rinse Agent Dispenser

The rinse agent dispenser holds 3.9 oz. (115 ml) of rinse agent. Under normal conditions, this will last approximately one month.

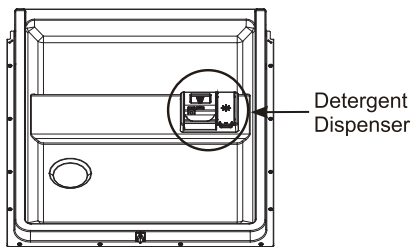
- 1 Make sure the dishwasher door is fully open.
- 2 Open the dispenser door. (Rinse agent compartment is on the right side of dispenser.)
- 3 Slowly add rinse agent until the cup is full. You may need to pause several times to allow rinse aid to settle.
- 4 Clean up any spilled rinse agent with a damp cloth to prevent foam from forming inside the dishwasher.
- 5 Close the dispenser door.



## Detergent Dispenser

To open, press the button and the cover will flip back. The detergent dispenser has two compartments. The pre-wash compartment is on the lid of the detergent dispenser. Use the pre-wash compartment only when your water is extremely hard or when you have a heavy soiled load. The pre-wash compartment is not used when tablet or packet detergents are used.

**NOTE:** Do not block detergent dispenser with large or tall utensils.



You may use tablet, packet, powder, liquid or gel automatic dishwasher detergent. Make sure you use only detergents specifically labeled for use in automatic dishwashers. Never use liquid hand dish detergent in an automatic dishwasher. Sudsing and poor wash performance will result with the use of improper detergents.

Detergents should be stored in a dry location and in their original container to prevent loss of effectiveness. Place detergent in the cup just prior to starting the dishwasher and then close the cover. The cover will open during the wash cycle.

## Filling the Detergent Dispenser

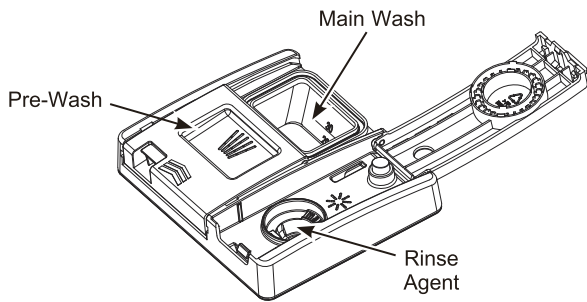
We recommend using high quality detergent in tablet or packet form. Independent testing has shown this form of detergent is very effective in the dishwasher.

**Cascade® Platinum™ ActionPacs™** or **Finish® Quantum® Powerball®** are examples of this type of detergent.

Simply put a tablet or packet into the main wash compartment and close the detergent cup cover. Please notice that the tablet or packet must be placed in the main wash compartment of the detergent cup. If the tablet or packet is placed in the prewash compartment or tossed in the bottom of the dishwasher, the detergent will be flushed down the drain in a very short period of time and will thus be wasted. Wash performance will be very poor as a result.

If you choose to use detergent in powder, liquid or gel form, the amount of detergent you use will be determined by the hardness of your water, the temperature of your water, and the food soil load inside the dishwasher. Contact your water company to get information about the hardness of the water in your area. Water hardness is measured in grains per gallon. Use this information and the table above to determine the amount of detergent to use. You may purchase a hard water test strip from GE Appliances. Call 800-661-1616 and ask for part number **WG04F04842**.

# Dispensers

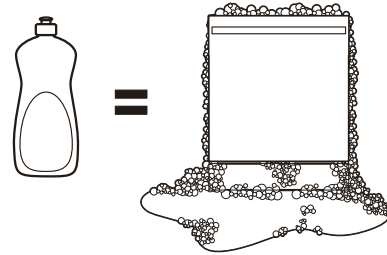


Use the table as a starting point and then adjust the amount of detergent you use. Use just enough to get good wash performance. Using just the right amount of detergent will provide great wash performance without wasting detergent or etching glassware.

Number of Grains/Gal.	Detergent Cup(s) to Fill
Less than 4	Fill main cup to line 15
4 to 7	Fill main cup to line 25
Greater than 7	Fill both main cup and pre-wash cup

Using too much detergent with very soft and/or very hot water may cause a condition called etching on your glassware. Etching is a permanent cloudiness in your glassware. This condition is irreversible. However, using too little detergent will cause poor wash performance.

## DO NOT USE HAND DISH DETERGENT



**NOTE:** Using a detergent that is not specifically designed for dishwashers will cause the dishwasher to fill with suds. During operation, these suds will spill out of the dishwasher vents, covering the kitchen floor and making the floor wet.

Because so many detergent containers look alike, store the dishwasher detergent in a separate space from all other cleaners. Show anyone who may use the dishwasher the correct detergent and where it is stored.

While there will be no lasting damage to the dishwasher, your dishes will not get clean using a dishwashing detergent that is not formulated for automatic dishwashers.

# Consumer Help Indicator

Your dishwasher is equipped with Consumer Help Indicator (CHI). CHI is our way to communicate a simple remedy for some situations that you can perform without the need to call for service. The chart below describes the helpful messages you may notice on your display when you return to start another load. These messages will provide simple remedies you can quickly perform.

<b>404</b>	Indicates there is water flow insufficient. Make sure the water is connected and full turned on.
<b>405</b>	Indicates there is no water flow detected. Make sure the water is connected and turned on.
<b>400</b>	Indicates there is water flow detected on the base float, turn off the water supply to avoid damage.

To exit the Consumer Help Indicator:

Open the door and press the **Start** pad once, then close the door and the washing process continues. Or press the **Start** pad for 3 seconds to turn off and restart (400 code only can use this way to exit after clean the overflow water on the base float).

# Appliance Communication

---

## WiFi Connect (on some models)

Your dishwasher is **GE Appliances WiFi Connect** capable. A WiFi communication card is built into the product allowing it to communicate with your smartphone for remote monitoring, control and notifications.

Please visit [www.GEAppliances.com/connect](http://www.GEAppliances.com/connect) to connect your appliance, learn more about connected appliance features and learn what connected appliance app's will work with your smartphone.

WiFi Connectivity: For assistance with the appliance or the **ConnectPlus** network connectivity, please call GE Appliances at **800.220.6899**.

*This device complies with Part 15 of the FCC Rules. Operation is subject to the following two conditions:*

1. *This device may not cause harmful interference, and*
2. *This device must accept any interference received, including interference that may cause undesired operation.*  
*This equipment has been tested and found to comply with the limits for a Class B digital device, pursuant to Part 15 of the FCC Rules. These limits are designed to provide reasonable protection against harmful interference in a residential installation. This equipment generates uses and can radiate radio frequency energy and, if not installed and used in accordance with the instructions, may cause harmful interference to radio communications. However, there is no guarantee that interference will not occur in a particular installation. If this equipment does cause harmful interference to radio or television reception, which can be determined by turning the equipment off and on, the user is encouraged to try to correct the interference by one or more of the following measures:*
  - *Reorient or relocate the receiving antenna.*
  - *Increase the separation between the equipment and receiver.*
  - *Connect the equipment into an outlet on a circuit different from that to which the receiver is connected.*
  - *Consult the dealer or an experienced radio/television technician for help.*

**Labelling:** *Changes or modifications to this unit not expressly approved by the manufacturer could void the user's authority to operate the equipment.*

# Loading

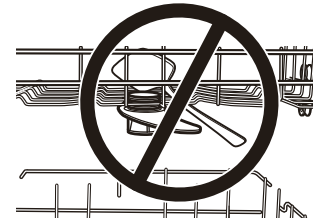
For best dishwashing results, follow these loading guidelines. Features and appearance of racks and silverware baskets may vary from your model.

## Upper Rack

The upper rack is for glasses, cups, and saucers. This is also a secure place for dishwasher-safe plastic items. The upper rack can be used for odd sized utensils. Sauce pans, mixing bowls, and other similarly shaped items should be placed face down for best wash performance.

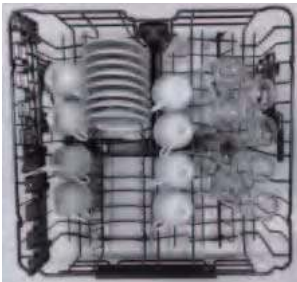
The cup shelf may be placed in the up or down position to add flexibility.

**IMPORTANT:** Ensure that items do not protrude through the bottom of the rack where they will block the rotation of the upper spray arm. This could result in noise during operation and/or poor wash performance.



**IMPORTANT:** Ensure items in the upper rack do not interfere with the 3rd Rack (on some models) when loading and unloading.

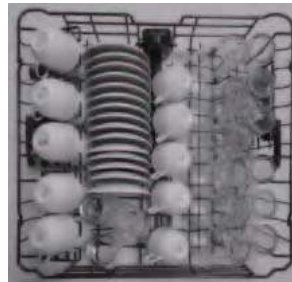
8 Places Settings  
All Models



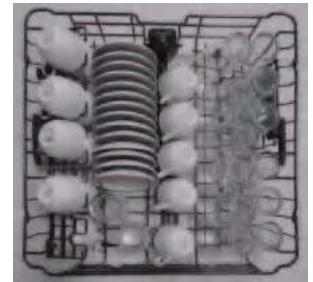
16 Places Settings  
Models - PBT700



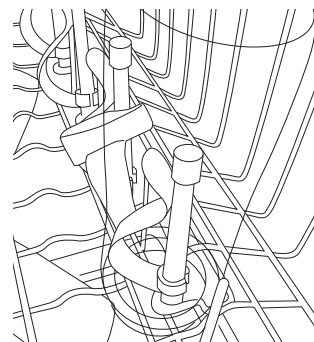
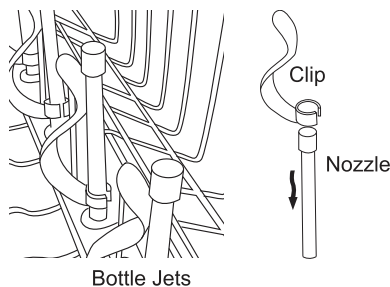
15 Places Settings  
Models - GBT600



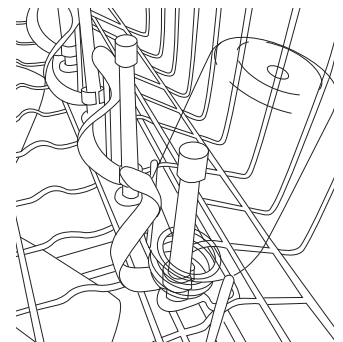
14 Places Settings  
Models - GBT500



The **Bottle Jets** system (on some models) is the ideal location to position baby bottles, tall sports bottles, or other tall items with narrow openings. The **Bottle Jets** clips hold bottles with small openings in place so water jets are directed inside the bottles to clean hard to reach areas. Clips can be installed or removed by simply slipping the clip opening over the top of the nozzle.

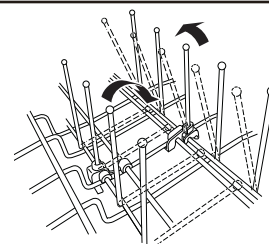


Sports bottle held in place  
over a Bottle Jets clip



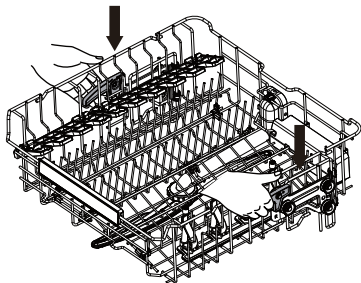
Baby bottle held in place  
under a Bottle Jets clip

The fold down tines (on some models) provide flexibility for extra-large and hard-to-fit items. The tine rows can be adjusted to a vertical or lay-down position.

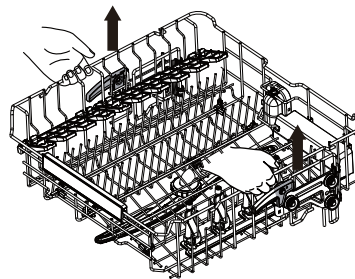


# Loading

Adjust the height of the upper basket to make space for taller items. You can adjust the height either while the basket is empty or loaded. If the basket is loaded we recommend raising or lowering one side at a time. Both sides of the basket must be adjusted to the same height.



**To lower**  
Pull up the levers on each side to release.  
Lower to the desired position.  
Release the levers to secure.



**To raise**  
Pull the basket upwards until it clicks into place.

**CAUTION** A loaded upper rack may be heavier than anticipated. To prevent minor injury or damage to the contents, do not raise or lower the upper rack after the rack is loaded.

## Lower Rack

**When loading the lower rack, do not load large platters or trays in the front right.** They may prevent detergent from circulating during the wash cycle.

The lower rack is best used for plates, saucers and cookware. Large items should go along the sides. Load platters, pots and bowls along the sides, in corners or in the back. The soiled side of items should face the center of the rack.

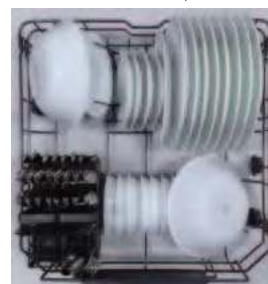
**IMPORTANT:** Ensure that items do not protrude through the bottom of the rack or the silverware basket where they will block the rotation of the lower spray arm. This could result in noise during operation and/or poor wash performance.



**8 Places Settings**  
Models - PBT700



**8 Places Settings**  
Models - GBT600, GBT500



**16 Places Settings**  
Models - PBT700



**15 Places Settings**  
Models - GBT600

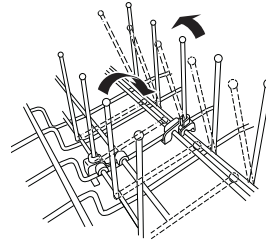


**14 Places Settings**  
Models - GBT500



# Loading

The fold down tines (on some models) provide flexibility for extra-large and hard-to-fit items. The tine rows can be adjusted to a vertical or lay-down position.



## 3rd Rack (on some models)

The 3rd rack is the location for silverware and large utensils.

**CAUTION** Take care when loading, unloading, or transporting the silverware or utensil tray. The tray may contain sharp or heavy items. If items are dropped from the tray or the tray is dropped, injury could occur.

### IMPORTANT NOTES:

- Do not allow cutlery of different materials to touch each other in the 3rd rack. Doing so may cause discoloration of the cutlery.
- The tray is only meant to be used with a 3rd rack dishwasher to hold silverware, cooking utensils, and other small items. Using the tray for any other purpose could result in damage to the tray or damage to anything interacting with the tray.
- Ensure that the 3rd rack is fully closed before shutting the dishwasher door. Shutting the door with the rack partially extended could cause damage to the dishwasher.

8 Places Settings  
Models - PBT700



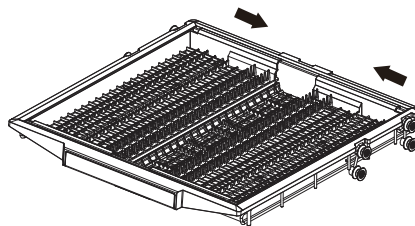
16 Places Settings  
Models - PBT700



15 Places Settings  
Models - GBT600

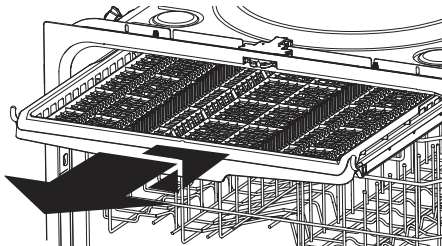


Can slide side sections to the middle to create more space for items below.



The 3rd rack is also removable to allow extra large items to be placed in the upper rack:

### To remove the 3rd rack:



- 1 With the rack fully extended, lift the front of the rack so that the rack roller wheels clear the retaining hook.
- 2 Continue to pull the rack until the remaining rack roller wheels clear the retaining hook.
- 3 Replace the rack by aligning the rack roller wheels on the retaining hook and rack rails – Ensure the rack rails are located on between two rows roller wheels.

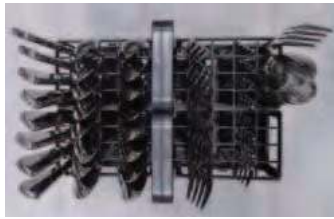
# Loading

---

## Silverware Basket

The silverware basket may be used without the topper for quick loading. With the topper, flatware is better positioned for the dishwasher to thoroughly wash and dry all pieces by preventing nesting.

**8 Places Settings**  
GBT600, GBT500

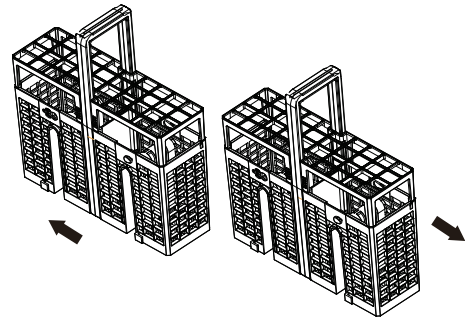
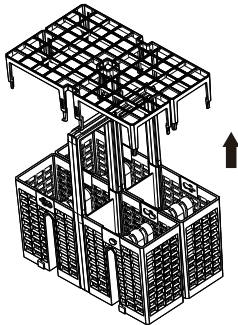


**14 Places Settings**  
Models - GBT500



**IMPORTANT:** Do not load large or tall utensils where they may block the detergent dispenser or upper spray arm. This could result in noise during operation and/or poor wash performance.

---



### Without the topper

Put the flatware in the removable basket with fork and knife handles up to protect your hands. Place spoons in the basket with handles down. Mix knives, forks and spoons so they don't nest together. Distribute evenly. Small plastic items, such as measuring spoons and lids from small containers, should go in the bottom of the silverware basket with silverware on top.

### With the topper

Place small plastic items, such as measuring spoons and lids from small containers, in the bottom of the basket and snap the topper in place. Insert spoons and forks, handles first, through the holes in the topper. Place knives, blades first, through the holes in the topper.

# Care and cleaning

## Control Panel

To clean the control panel, use a lightly dampened cloth. Then dry thoroughly.

## Exterior Door Panel

Before cleaning the front panel, make sure you know what type of panel you have. Refer to the last two letters of your model number. You can locate your model number on the left-hand tub wall just inside the door. If your model number ends with BB, CC, WW, SA, SH, ES, DS, TS or FS then you have a painted door panel. If your model number ends with SS, then you have a Stainless Steel door panel. If your model number ends with II, then you have an Integrated door panel. Follow instructions below for cleaning door panel for your model.

**Painted/Coated Door Panels** (model numbers ending in BB—black, CC—bisque, WW—white, SA—silver, SH—PRO steel, ES—slate, DS—black slate, TS—black stainless steel or FS—fingerprint resistant stainless steel)

**⚠ DO NOT use Stainless Steel cleaners on the door surfaces.**

Use a clean, soft, lightly dampened cloth, then dry thoroughly.

**Stainless Steel Door Panel** (model numbers ending in SS)

**For cleaning rust and tarnish**, cleaners with oxalic acid such as Bar Keepers Friend Soft Cleanser™ will remove rust, tarnish and small blemishes. Use only a liquid cleanser free of grit and rub in the direction of the brush lines with a damp soft sponge. Do not use appliance wax or polish on the stainless steel.

**For other blemishes and marks**, use Stainless Steel Magic or a similar product using a clean soft cloth. Do not use appliance wax, polish, bleach or products containing chlorine on Stainless Steel.

**Integrated Door Panel** (model numbers ending in II)

This is a custom installed door panel, and you will need to refer to the cabinet manufacturers recommendations for proper cleaning.

## Dishwasher Interior

To clean and de-odorize your dishwasher, use citric acid, or **Cascade® Platinum™ Dishwasher Cleaner** or **Finish® Dishwasher Cleaner**, a detergent additive. They will break up mineral deposits, and remove hard water film and stains.

You can order citric acid GE Appliances kit WG04A00103 through GE Appliances Parts by calling 800-661-1616. You can purchase dishwasher cleaners at your local grocery store.

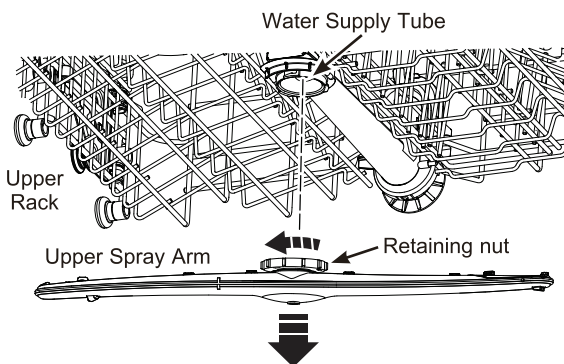
## Spray Arms

Because hard water chemicals will clog the spray arm jets and bearings, it is necessary to clean the spray arms regularly.

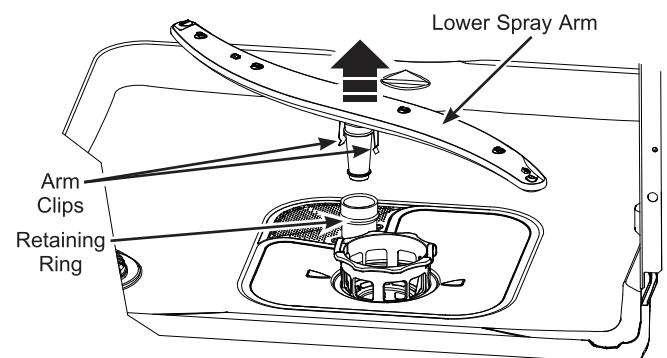
Wash the arms in soapy, warm water and use a soft brush to clean the jets. Replace them after rinsing thoroughly.

**To remove the upper spray arm**, twist the retaining nut 45° and pull the spray arm off the water supply tube.

**To remove the lower spray arm**, remove the lower rack and lift spray arm out.



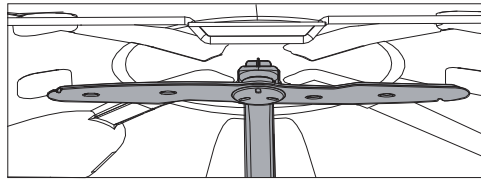
**IMPORTANT:** When replacing make sure to twist lock the retaining nut securely onto the water supply tube. Check that the spray arm is secure and that it rotates freely.



**IMPORTANT:** When replacing make sure to seat the arm clips over the retaining ring. Check that the spray arm is secure and that it rotates freely.

# Care and cleaning

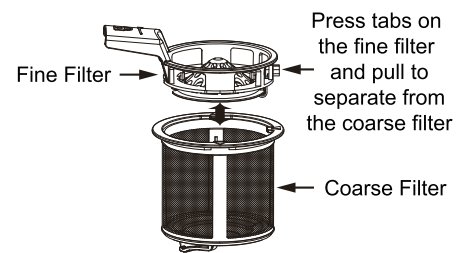
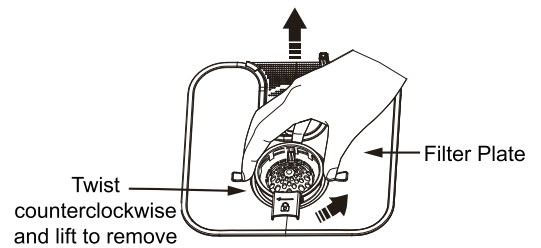
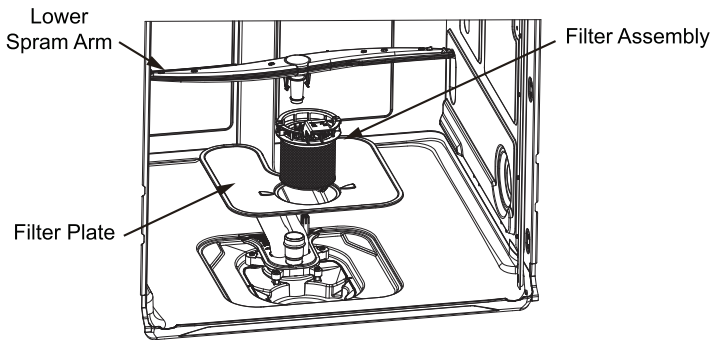
Do not remove the top spray arm for cleaning. Clean with a small, plastic-bristled brush. If heavily soiled or blocked use a dishwasher cleaner/descaler. Follow the manufacturer's instructions.



## Filter Assembly

Inspect and clean the filters periodically. This should be done every month or more depending on usage. If there is a decrease in wash performance or dishes feel gritty, this is also an indication the filters need to be cleaned.

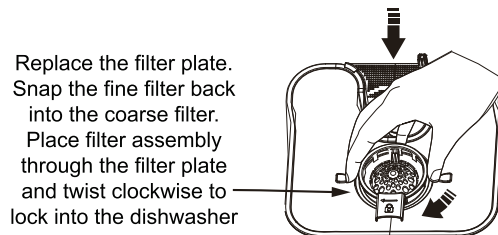
To clean the filter assembly, remove the bottom rack and lower spray arm. Twist the filter assembly counterclockwise and lift to remove. Remove the filter plate.



Rinse the filters with warm soapy water. Scouring pads or brushes can scratch the filter surfaces but a soft brush or sponge may be needed to remove stubborn soils or calcium deposits caused by hard water.

Once cleaned, replace the filter plate, insert the filter assembly through the plate and twist it clockwise until it locks in place. Make sure the filters are fully seated as improper replacement of the filters may reduce the performance level of the appliance. Replace the lower spray arm and lower rack.

**IMPORTANT:** Before replacing, make sure no objects have fallen into the opening in the bottom of the dishwasher.



## Stainless Steel Inner Door and Tub

The stainless steel used to make the dishwasher tub and inner door provides the highest reliability available in a GE Appliances dishwasher.

If the dishwasher tub or inner door should be scratched or dented during normal use, they will not rust or corrode. These surface blemishes will not affect their function or durability.

# Care and cleaning

---

## Protect Against Freezing

If your dishwasher is left in an unheated place during the winter, ask a service technician to:

- 1 Turn off electrical power to the dishwasher. Remove fuses or trip circuit breaker.
  - 2 Turn off the water supply and disconnect the water inlet line from the water valve.
  - 3 Drain water from the water inlet line and water valve. (Use a pan to catch the water.)
  - 4 Reconnect the water inlet line to the water valve.
- 

## Does Your Dishwasher Have an Air Gap?

An air gap protects your dishwasher against water backing up into it if a drain clogs. The air gap is not a part of the dishwasher. It is not covered by your warranty. Not all plumbing codes require air gaps, so you may not have one.

Air gap



Check the air gap any time your dishwasher isn't draining well.

The air gap is easy to clean.

- 1 Turn off the dishwasher and lift off the air gap cover.
- 2 Remove the plastic cap under the cover and clean with a toothpick.
- 3 Replace the cap and cover when the air gap is clean.

# User Settings Mode

You can adjust any of the below settings prior to starting a wash cycle.

For the **PBT700, GBT600** models.

Press and hold the **Auto** and **Delay** pads for 3 seconds to enter user settings mode. Press the **Auto** pad to select option, and press the **Delay** pad to select setting display. Press and hold the **Start** or **Auto** pads for 2 seconds to exit user settings mode. The dishwasher will automatically exit user settings mode if no operation within 30 seconds.

OPTION	DESCRIPTION	DEFAULT	SETTINGS DISPLAY			
<b>Rinse aid</b>	Controls the amount of rinse aid dispensed. Refer to 'Dispensers' for further details	rA5	Off	rA-	Max: 6	rA6
<b>Sound</b>	Adjusts tone settings. When set to OFF all tones will be silenced except fault alerts.	bPo	On	bPo	Off	bP-
<b>Automatic door opening</b>	Enables or disables automatic door opening at the end of the wash.	dOo	On	dOo	Off	dO-

For the **GBT500** models.

In the power off mode, press and hold the **Cycle Select** pad for 4 seconds to enter user settings mode. Press the **Cycle Select** pad to select option, and press the **Wash Temp** pad to select setting display. Press and hold the **Start** pad for 2 seconds to exit user settings mode. The dishwasher will automatically exit user settings mode if no operation within 30 seconds.

OPTION	DESCRIPTION	DEFAULT	SETTINGS DISPLAY			
<b>Rinse aid</b>	Controls the amount of rinse aid dispensed. Refer to 'Dispensers' for further details	rA5	Off	rA-	Max: 6	rA6
<b>Sound</b>	Adjusts tone settings. When set to OFF all tones will be silenced except fault alerts.	b1	On	b1	Off	b0
<b>Automatic door opening</b>	Enables or disables automatic door opening at the end of the wash.	dOo	On	dOo	Off	dO-

## Troubleshooting Tips... Before you call for service

Problem	Possible Cause	What To Do
Start status indicator light or display flashing	The door was opened or the cycle was interrupted.	Press the <b>Start</b> pad once and close the door within 4 seconds to start the dishwasher. Press the <b>Start</b> pad a second time when the dishwasher is running only if you wish to cancel the cycle.
Dishwasher BEEPS once every 90 seconds	This is a reminder that your dishwasher door has been left open during operation. It will continue beeping until you press <b>Start</b> and close the door.	Press <b>Start</b> and close the door.
Beeping at the end of the cycle	This is normal. Dishwasher will beep at end of cycle.	The dishwasher will beep (unless interrupted) and the <b>Clean</b> light will display at the end of the wash cycle.
Dishes and flatware not clean	Filter assembly is clogged	See the <b>CARE AND CLEANING</b> section.
	Low inlet water temperature	Make sure inlet water temperature is correct (see the <b>USING THE DISHWASHER</b> section). Turn on the hot water faucet nearest the dishwasher, let run until the water temperature stops rising. Then start the dishwasher and turn off the faucet. This ensures the entering water is hot. Select <b>Wash Temp - Boost</b> .
	Water pressure is temporarily low	Turn on a faucet. Is water coming out more slowly than usual? If so, wait until pressure is normal before using your dishwasher. Normal water pressure to the dishwasher should be 20-120 psi.
	Air gap or disposer clogged (Built-In Models Only)	Clean the air gap or flush the disposer.
	High drain loop or air gap not installed (Built-In Models Only)	Refer to the Installation Instructions for proper drain line installation.
	Improper rack loading	Make sure large dishware or utensils do not block detergent dispenser or the wash arms. See the <b>Loading</b> section.
	Poor performing detergent	Use high quality detergents such as <b>Cascade® Platinum™ ActionPacs™</b> or <b>Finish® Quantum® Automatic Dishwashing Detergent</b> .
Spots and filming on glasses and flatware	Extremely hard water	Use high quality rinse agents such as <b>Cascade® Platinum™ Power Dry™ Rinse Aid</b> or <b>Finish® Jet-Dry® Rinse Aid</b> to prevent spots and prevent new film build-up. If water is extremely hard, a softener may be required.
	Low inlet water temperature	Make sure inlet water temperature is at least 120°F (49°C).
	Overloading or improper loading of the dishwasher	Load dishwasher as shown in the <b>Loading</b> section.
	Old or damp powder detergent	Make sure detergent is fresh. Use high quality detergents such as <b>Cascade® Platinum™ ActionPacs™</b> or <b>Finish® Quantum® Automatic Dishwashing Detergent</b> .
	Rinse agent dispenser empty	Refill with high quality rinse agents such as <b>Cascade® Platinum™ Power Dry™ Rinse Aid</b> or <b>Finish® Jet-Dry® Rinse Aid</b> .
	Too little or low performing detergent	Make sure you use the proper amount of highly rated detergent.
Cloudiness on glassware	Combination of soft water and too much detergent	This is called etching and is permanent. To prevent this from happening, use less detergent if you have soft water. Wash glassware in the shortest cycle that will get it clean.
	Low performing phosphate-free detergent	See <b>A white film on glassware, dishware and the interior</b> in this <b>TROUBLESHOOTING TIPS</b> section.
	Water temperature entering the dishwasher exceeds 150°F (66°C)	This could be etching. Lower the water heater temperature.

## Troubleshooting Tips... Before you call for service

Problem	Possible Cause	What To Do
Suds in the tub	Wrong detergent	Use only high quality automatic dishwasher detergents to avoid sudsing. <b>Cascade® Platinum™ ActionPacs™</b> or <b>Finish® Quantum® Automatic Dishwashing Detergent</b> have been approved for use in all GE Appliances dishwashers.
	Rinse agent was spilled	Always wipe up rinse agent spills immediately.
Detergent left in dispenser cups	Dishes or utensils are blocking the detergent cup	Reposition the dishes, so the water from the lower spray arm can flush the detergent cup. See the <b>Loading</b> section. Reposition the tall utensils or heavy silverware that may be keeping the dispenser cup door from opening. See the <b>Loading</b> section.
Black or gray marks on dishes	Aluminum utensils have rubbed against dishes	Remove marks with a mild, abrasive cleaner.
Dishes don't dry	Door not opened immediately after Clean light came on	For proper drying, the dishwasher door must be opened immediately after the <b>Clean</b> light comes on.
	Low inlet water temperature	Make sure inlet water temperature is at least 120°F. Use <b>Wash Temp Boost</b> . Select a higher cycle, such as <b>Heavy</b> .
	Rinse agent dispenser is empty	Check the rinse agent dispenser and fill as required.
Control panel responded to inputs but dishwasher never filled with water	Door may not be completely closed	Make sure the door is firmly closed.
	Water valve may be turned off	Make sure water valve (usually located under the sink) is turned on.
Stained tub interior	An overall yellow or brown film can be caused by iron deposits in water	A special filter in the water supply line is the only way to correct this problem. Contact a water softener company.
	White film on inside surface— hard water minerals	GE Appliances recommends high quality rinse agents such as <b>Cascade® Platinum™ Power Dry™ Rinse Aid</b> or <b>Finish® Jet-Dry® Rinse Aid</b> to help prevent hard water mineral deposits from forming. Run dishwasher with citric acid to remove mineral deposits. Citric acid (Part number: WG04A00103) can be ordered through GE Appliances Parts. See back cover for ordering information. Alternatively, purchase <b>Cascade® Platinum™ Dishwasher Cleaner</b> or <b>Finish® Dishwasher Cleaner</b> and follow the directions on the label.
Dishwasher won't run	Fuse is blown or circuit breaker is tripped	Replace fuse or reset circuit breaker. Remove any other appliances from the circuit.
	Power is turned off	In some installations, the power to the dishwasher is provided through a wall switch, often located next to the disposer switch. Make sure it is on.
	Control panel is locked	Unlock control panel. See the <b>Getting started</b> section.
	Reboot your control	Turn off power to the dishwasher (at circuit breaker or wall switch) for 30 seconds, then turn back on.
Control panel lights go off when you're setting controls	Time too long between touching of selected pads	Each pad must be touched within 30 seconds of the others. To relight, touch any pad again or open the door and unlock.
Water standing in the bottom of the tub	Air gap is clogged	Clean the air gap. See the <b>Care and cleaning</b> section.
	High drain loop or air gap not installed	Refer to the Installation Instructions for proper drain line installation.

## Troubleshooting Tips... Before you call for service

Problem	Possible Cause	What To Do
Water won't pump out of the tub	Drain is clogged	If you have an air gap, clean it. See the <b>Care and cleaning</b> section. If the dishwasher drains into a disposer, run disposer clear. Check to see if your kitchen sink is draining well. If not, you may need a plumber.
Sanitized light does not illuminate at the end of the cycle	The door was opened and the cycle was interrupted during final rinse	Do not interrupt the cycle by opening the door during the wash cycle.
	The incoming water temperature was too low	Raise the water heater temperature to between 120°F and 150°F.
Noise	Normal operating sounds: Beeping at the end of the cycle Detergent cup opening Water entering dishwasher Motor stops and starts at various times during cycle Spray arms start and stop at various times Drain pump sounds during pump out Drain pump starts and stops several times during each drain	These are all normal. No action is required.
	Rattling dishes when the spray arm rotates	Make sure dishes are properly loaded. See the <b>Loading</b> section.
	Rattling silverware against door during wash	Tall utensils may be placed in the upper rack to avoid bumping against inner door during wash cycle.
A white film on glassware, dishware and the interior	This problem is likely caused by a low quality phosphate-free dishwasher detergent	To remove the white film, run your dishes through a dishwasher cycle with citric acid. Use a <b>WG04A00103</b> citric acid kit found online. Otherwise, use high quality rinse agents such as <b>Cascade® Platinum™ Dishwasher Cleaner</b> or <b>Finish® Dishwasher Cleaner</b> found at your local grocery store. Pour the citric acid in the detergent cup and close the cover. Place the filmed but otherwise clean glassware and dishware in the dishwasher. Leave silverware and other metal items out of the dishwasher. Turn the dishwasher on and let it run through a complete cycle without detergent. The glassware, dishware, and dishwasher should come out film free. Alternatively, a vinegar rinse may be used. Pour 1 cup of vinegar into dishwasher just after the detergent cup opens and let the dishwasher complete its cycle. This may be repeated several times a year as needed. The use of high quality rinse agents such as <b>Cascade® Platinum™ Power Dry™ Rinse Aid</b> or <b>Finish® Jet-Dry® Rinse Aid</b> may help minimize a repeat build up of film. Also, the use of high quality detergents such as <b>Cascade® Platinum™ ActionPacs™</b> or <b>Finish® Quantum® Automatic Dishwashing Detergent</b> will help prevent film build-up.

### Forget to Add a Dish?

Additional items may be added to the dishwasher at any time, ideally items would be added shortly after starting a wash cycle.

- 1 Open the door to interrupt the cycle. Pull the door handle to release the door.
- 2 Do not open the door all the way until the water spray action stops. Steam may rise out of the dishwasher.
- 3 Add additional items.
- 4 Press **Start** and close the door within 4 seconds to resume the cycle.

# Consumer Support

---

Brand	Contact	Service
GE Appliances/ Profile	<a href="http://geappliances.ca/contact-us">geappliances.ca/contact-us</a> or 877.994.5366	<a href="http://geappliances.ca/after-sales-support">geappliances.ca/after-sales-support</a> or 800.561.3344

## Remote Connectivity

For assistance with wireless network connectivity (for models with remote enable), visit our website at [GEAppliances.ca/connected-appliances](http://GEAppliances.ca/connected-appliances) or call 800.220.6899.

## Contact Us

In Canada: Director, Customer Relations | MC COMMERCIAL Inc. | 1100 Burloak Dr, Suite 601 | Burlington, ON L7L 6B2

[GEAppliances.ca/contact-us](http://GEAppliances.ca/contact-us) or call 877.994.5366

# Dishwasher Limited Warranty (only for Canada)

All warranty service is provided by our Factory Service Centers, or an authorized Customer Care® technician. To schedule service, visit [geappliances.ca/after-sales-support](http://geappliances.ca/after-sales-support) or call GE Appliances at 800.GE.CARES (800.561.3344).

Please have your serial number and your model number available when calling for service.

Servicing your appliance may require the use of the onboard data port for diagnostics. This gives a GE Appliances factory service technician the ability to quickly diagnose any issues with your appliance and helps GE Appliances improve its products by providing GE Appliances with information on your appliance. If you do not want your appliance data to be sent to GE Appliances, please advise your technician not to submit the data to GE Appliances at the time of service.

For the period of:	We will replace:
<b>One year</b> From the date of the original purchase	<b>Any part</b> of the dishwasher which fails due to a defect in materials or workmanship. During this <b>limited one-year warranty</b> , we will also provide, <b>free of charge</b> , all labor and related service to replace the defective part.

## What is not covered:

- Service trips to your home to teach you how to use the product.
- Improper installation, delivery or maintenance.
- Failure of the product if it is abused, misused, or used for other than the intended purpose or used commercially.
- Replacement of house fuses or resetting of circuit breakers.
- Products which are not defective or broken, or which are working as described in the Owner's Manual.
- Damage to the product caused by accident, fire, floods or acts of God.
- Incidental or consequential damage caused by possible defects with this appliance.
- Defects or damage due to operation in freezing temperatures.
- Damage caused after delivery including damage from items dropped on the door.
- Product not accessible to provide required service.
- Cleaning or servicing of the air gap device in the drain line.

Staple your receipt here. Proof of the original purchase date is needed to obtain service under the warranty.

## EXCLUSION OF IMPLIED WARRANTIES

Your sole and exclusive remedy is product repair as provided in this Limited Warranty. Any implied warranties, including the implied warranties of merchantability or fitness for a particular purpose, are limited to one year or the shortest period allowed by law.

## In Canada (including the province of Québec):

This limited warranty is extended to the original purchaser and any succeeding owner for products purchased in Canada including Québec for home use within Canada including Québec. If the product is located in an area where service by a GE Appliances Authorized Servicer is not available, you may be responsible for a trip charge or you may be required to bring the product to an Authorized GE Appliances Service location.

Some provinces including Québec do not allow the exclusion or limitation of incidental or consequential damages. This limited warranty gives you specific legal rights, and you may also have other rights which vary from province to province including Québec. To know what your legal rights are, consult your local or provincial consumer affairs office.

## For Québec consumers only - Notice on the warranty of availability of spare parts, repair services and information necessary for repair or maintenance (s. 39 of the Consumer Protection Act):

Please be advised that MC Commercial Inc. ("MC Commercial") does not guarantee, within the meaning of section 39 of the Consumer Protection Act, CQLR, C. P-40.1 and sections 79.18 to 79.20 of the Regulation respecting the application of the Consumer Protection Act, CQLR, C. P-40.1, r. 3, the availability of replacement parts, repair services, or the information necessary for the maintenance or repair of goods manufactured, imported, advertised, or sold by MC Commercial.

Please note that MC Commercial Inc. continues to offer the manufacturer's limited warranty as stated in the Owner's Manual or Quick Guide, and that this limited warranty is distinct from the statutory warranty of availability provided for under section 39 of the Consumer Protection Act.

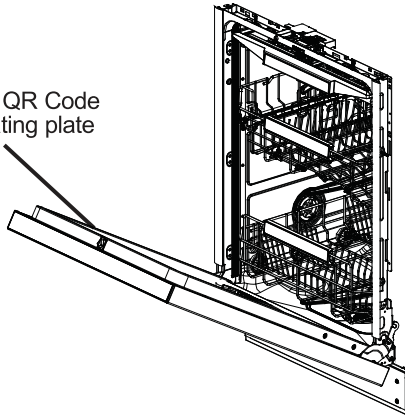
Warrantor: MC Commercial Inc., Burlington, ON, L7L 6B2

# Installation Instructions

# Built-In Dishwashers

For the latest information, scan the QR Code on the rating plate found on the side inner door.

Scan the QR Code on the rating plate



## BEFORE YOU BEGIN

Read these instructions completely and carefully.

### ⚠ WARNING

- To reduce the risk of electric shock, fire, or injury to persons, the installer must ensure that the dishwasher is completely enclosed at the time of installation.
- **FOR PERSONAL SAFETY:** Remove house fuse or open circuit breaker before beginning installation. Do not use an extension cord or adapter plug with this appliance.
- The improper connection of the equipment grounding conductor can result in a risk of electric shock. Check with a qualified electrician or service representative if you are in doubt that the appliance is properly grounded.
- If house wiring is not 2-wire with ground, a ground must be provided by the installer. When house wiring is aluminum, be sure to use UL-Listed anti-oxidant compound and aluminum-to-copper connectors.
- To reduce the risk of electric shock, fire, or injury to persons, the installer should check to ensure that wires are not pinched or damaged, the house wiring is attached to the junction box bracket through a strain relief, and all electrical connections made at the time of install (wire nuts) are contained inside of the junction box cover.

### ⚠ CAUTION

Do not remove wood base until you are ready to install the dishwasher. The dishwasher will tip over when the door is opened if base is removed.

**While performing installations described in this booklet, gloves, safety glasses or goggles should be worn.**

## FRONT PANEL ACCESSORY

Custom front panel models include a kit that contains a template, hardware and panel installation instructions. Refer to the kit instructions when installing the custom panel.

If a custom panel mounting hardware kit and template are needed, prior to delivery of the dishwasher, order: WG04A04333.

## FOR YOUR SAFETY

Read and observe all **WARNINGS** and **CAUTIONS** shown throughout these instructions.

**IMPORTANT** – Observe all governing codes and ordinances.

- **Note to Installer** – Be sure to leave these instructions for the consumer's and local inspector's use.
- **Note to Consumer** – Keep these instructions with your Owner's Manual for future reference.
- **Skill Level** – Installation of this dishwasher requires basic mechanical, electrical and plumbing skills. **Proper installation is the responsibility of the installer. Product failure due to improper installation is not covered under the GE Appliances Warranty. See Warranty information.**
- **Completion Time – 1 to 3 Hours.** New installations require more time than replacement installations.

**IMPORTANT** – The dishwasher **MUST** be installed to allow for future removal from the enclosure if service is required.

Care should be exercised when the appliance is installed or removed, to reduce the likelihood of damage to the power supply cord.

If you received a damaged dishwasher, you should immediately contact your dealer or builder.

Optional Accessories – See the Owner's Manual for available custom panel kits.

Your dishwasher is a water heating appliance.

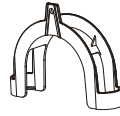
**NOTE:** Consider recycling options for your appliance packaging material.

**READ CAREFULLY  
KEEP THESE INSTRUCTIONS**

# Installation Preparation

## PARTS SUPPLIED IN INSTALLATION PACKAGE:

- Drain hose support
- Phillips-Head screws to secure dishwasher to underside of countertop(2) or to side cabinets (4), to secure the insulation(4).
- Literature, samples and/or coupons
- Bottle jets clips (4)
- Insulation Pieces
- Mounting Brackets (2)



Drain hose support



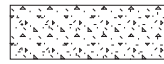
Phillips-Head Screws



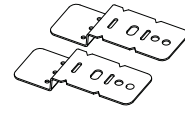
Literature



bottle jets clips  
(on some models)



Insulation Pieces



Mounting Brackets

## MATERIALS YOU WILL NEED:

- UL-listed wire nuts (3)
- Thread Seal Tape
- 90° elbow (3/4" hose internal thread on one end, opposite end sized to fit water supply)



Wire Nuts (3)



Thread Seal Tape



Hose Clamp(s)

### Materials For New Installations Only:

- Air gap for drain hose, if required
- Waste tee for house plumbing, if applicable
- Electrical cable or Power Cord Kit **WG04F04614**.
- Screw-type hose clamp(s)
- Strain relief for electrical connection
- Hand shut-off valve (recommended)
- Hot water line—3/8" minimum, copper tubing (including ferrule, compression nut).



Air Gap



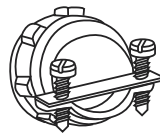
Waste Tee



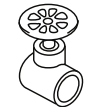
Electrical Cable  
(or Power Cord,  
if applicable)



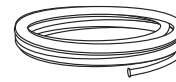
90° Elbow



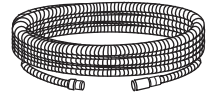
Strain Relief



Hand Shut-Off Valve



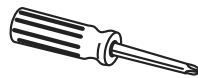
Hot Water Line,  
Ferrule and  
Compression Nut



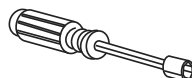
Drain pipe

## TOOLS YOU WILL NEED:

- Phillips-head screwdriver
- 1/4" and 5/16" nutdriver
- 6" adjustable wrench
- Glove
- Safety glasses
- Flashlight
- Bucket to catch water when flushing the line
- Level
- Measuring tape
- Carpenter's square



Phillips-Head Screwdriver



1/4" and 5/16"  
Nutdriver



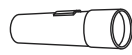
6" Adjustable Wrench



Gloves



Safety Glasses



Flashlight



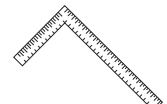
Bucket



Level



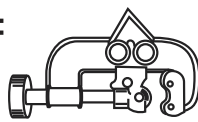
Measuring Tape



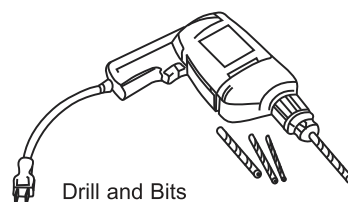
Carpenter's Square

### For New Installations Only:

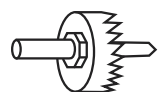
- Tubing cutter
- Drill and appropriate bits
- Hole saw set



Tubing Cutter



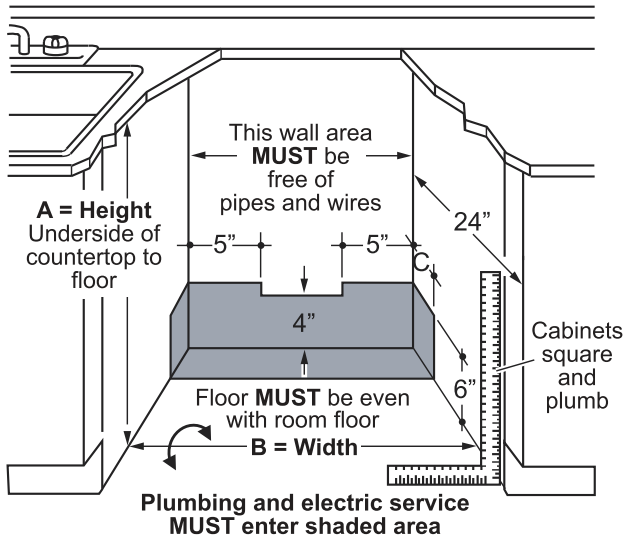
Drill and Bits



Hole Saw Set

# Installation Preparation

## PREPARE DISHWASHER ENCLOSURE



	A	B	C
<b>24" Models Only</b>	33-3/4" min.-34-3/4" max.	24"	3"

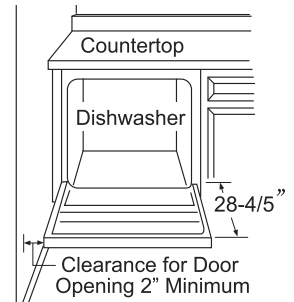
### ⚠ WARNING

To reduce the risk of electric shock, fire, or injury to persons, the installer must ensure that the dishwasher is completely enclosed at the time of installation.

- The dishwasher must be installed so that drain hose is no more than 12' in length for proper drainage.
- The dishwasher must be fully enclosed on the top, sides and back, and must not support any part of the enclosure.

### CLEARANCES:

- When installed into a corner, allow 2" min. clearance between dishwasher and adjacent cabinet, wall or other appliances. Allow 28-4/5" min. clearance from the front of the dishwasher for door opening.



## DRAIN REQUIREMENTS

- Follow local codes and ordinances.
- Do not exceed 12' distance to drain.
- Drain connection height is not to exceed 72" above bottom of dishwasher.

**NOTE :** Air gap must be used if waste tee or disposer connection is less than 18" above floor to prevent siphoning.

### DETERMINE DRAIN METHOD

The type of drain installation depends on the following questions.

- Do local codes or ordinances require an air gap?
- Is waste tee less than 18" above floor?

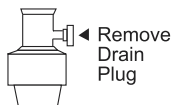
**If the answer to either question is YES, Method 1 MUST be used.**

- If the answers are NO, either method may be used.

### CABINET PREPARATION

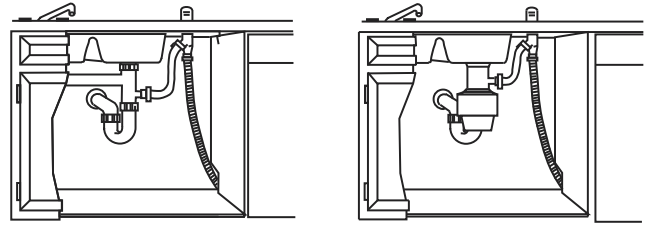
- Drill a 1-1/2" diameter hole in the cabinet wall within the shaded areas shown in **PREPARE DISHWASHER ENCLOSURE** for the drain hose connection. The hole should be smooth with no sharp edges.

**IMPORTANT** – When connecting drain line to disposer, check to be sure that drain plug has been removed. **DISHWASHER WILL NOT DRAIN IF PLUG IS LEFT IN PLACE.**

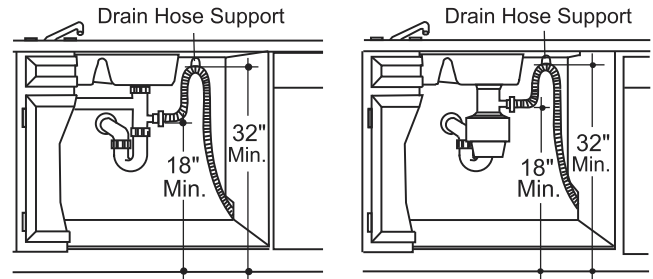


### Method 1 – Air Gap with Waste Tee or Disposer

An air gap must be used when required by local codes and ordinances. The air gap must be installed according to manufacturer's instructions.



### Method 2 – "High Drain Loop" with Waste Tee or Disposer



### Tip: Avoid unnecessary service call charges.

Always be sure disposer drain plug has been removed before attaching dishwasher drain hose to the disposer.



# Installation Preparation

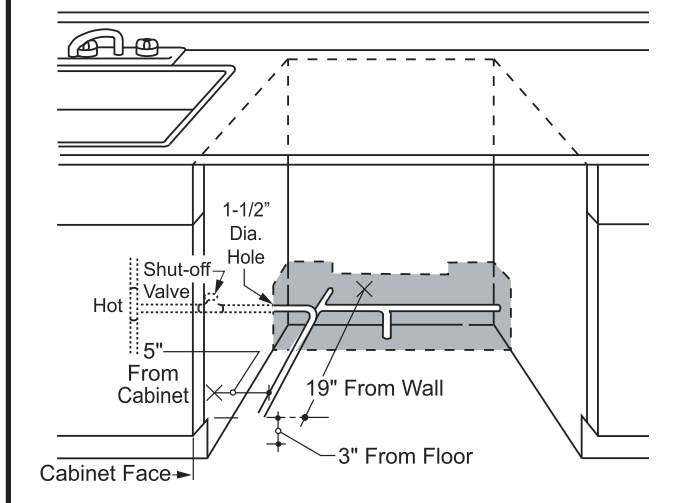
## NOTE:

The edges of the opening between the compartments shall, if the partition is wood, be smooth and rounded, or if the partition is metal, be covered with an edge protector.

## PREPARE HOT WATER LINE

**NOTE:** GE Appliances recommends copper tubing for the water line, but if you choose to use flexible hose, use flexible braided hose.

- The water supply line (3/8" copper tubing or flexible braided hose) may enter from either side, rear or floor within the shaded area shown in the figure.
- The water supply line may pass through the same hole as the electrical cable and drain hose. Or, cut an additional 1-1/2" diameter hole to accommodate the water line. If power cord with plug is used, water line must not pass through power cord hole.



## WATER LINE CONNECTION

- If using a flexible braided supply hose, label the hose with the installation date to use as reference. Flexible braided hoses, elbows and gaskets should be replaced in 5 years.
- Turn off the water supply.
- Install a hand shut-off valve in an accessible location, such as under the sink. (Optional, but strongly recommended and may be required by local codes.)
- Water connection is on the left side of the dishwasher. Install the hot water inlet line, using no less than 3/8" copper tubing or a flexible braided hose. Route the line as shown in **PREPARE HOT WATER LINE** and extend forward at least 19" from rear wall.
- Adjust water heater for 120°F to 140°F temperature.
- Flush water line to clean out debris.
- The hot water supply line pressure must be 20-120 PSI.

## PREPARATION

Locate the items in the installation packages:

- Screws
- Drain hose support
- Spacers
- literature, samples and/or coupons
- Bottle jets clips (on some models)

**Turn page to begin dishwasher installation.**

# Dishwasher Installation

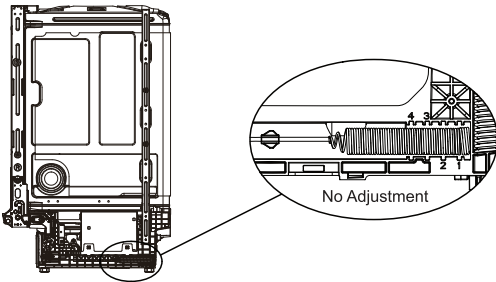
## STEP 1 CHECK DOOR BALANCE

### CAUTION

Opening the door will cause the dishwasher to tip forward when it is not fully installed. When opening the door prior to the dishwasher being fully installed, hold the top of the dishwasher securely with one hand and hold the door with the other hand. Gloves should be worn.



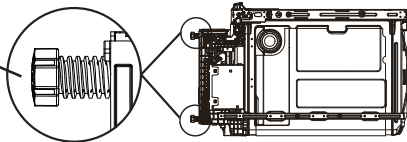
- To check the door balance, hold the top of the dishwasher firmly.
- Check the door balance by opening and closing the door.
- If the door drops when released, increase the spring tension.  
If the door rises when released, decrease the spring tension.



## STEP 2 ADJUST LEVELING LEGS

- Move the dishwasher close to the installation location and lay it on its back. **NOTE:** Do not place the dishwasher on its side.
- Measure installation height and dishwasher height. Extend leveling legs out from the dishwasher base, 1/2" less than installation height.

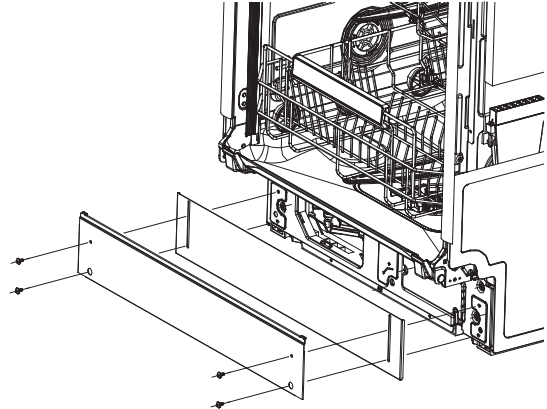
Adjust to  
Installation  
Height



Leveling  
leg shown  
with the  
dishwasher  
laying on  
its back

## STEP 3 REMOVE TOEKICK

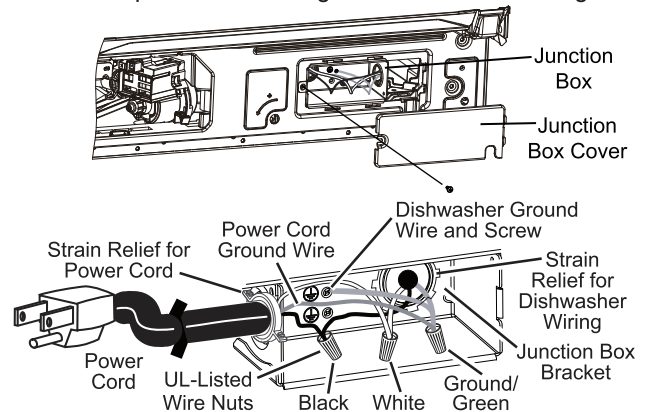
- Remove the 4 toekick screws and the 2-piece toekick. Set aside for use in **Step 19**.



## STEP 4 INSTALL POWER CORD

**Skip this step if the dishwasher will be permanently connected to the house electrical system or has a factory-installed power cord.**

- The power cord and connections must comply with the National Electrical Code, Section 422 and/or local codes and ordinances. Maximum power cord length is 6 feet. Power Cord Kit **WG04F04614**, available for purchase from an authorized GE Appliances dealer, meets these requirements.
- Remove junction box cover.
- Install strain relief in the junction box bracket.
- Insert the power cord through the strain relief and tighten.

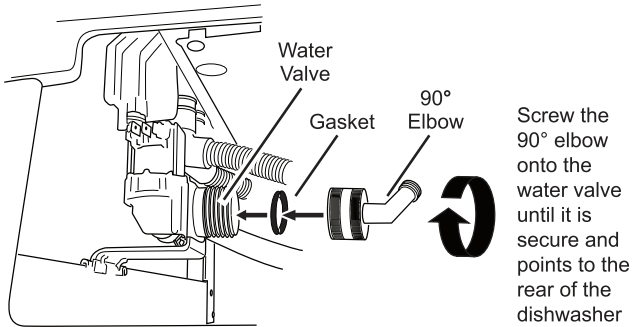


- Make sure black, white and green dishwasher wires are threaded through the hole in the junction box bracket.
- Connect power cord white (or ribbed) to dishwasher white, black (or smooth) to dishwasher black and ground to dishwasher green wire. Use UL-listed wire nuts of appropriate size.
- Replace junction box cover using the screws. Be sure wires are not pinched under the cover.

# Dishwasher Installation

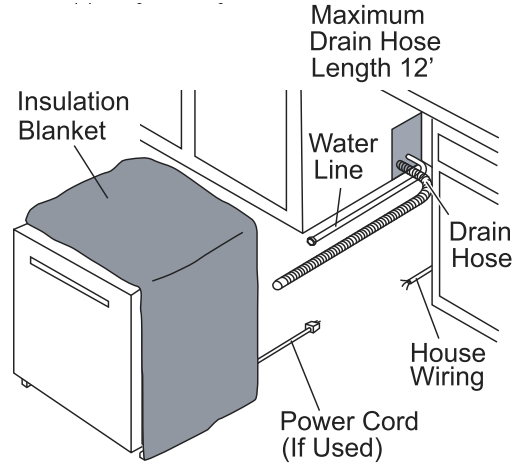
## STEP 5 INSTALL 90° ELBOW

- Ensure rubber gasket is located between valve and elbow.
- Thread 90° elbow onto the water valve.
- Do not overtighten elbow. Water valve bracket could bend or water valve fitting could break.
- Position the end of the elbow to face the rear of the dishwasher.



## STEP 7 INSTALL DRAIN HOSE, THROUGH CABINET

- Stand the dishwasher upright and position it in front of cabinet opening. Insert drain hose into the hole in cabinet side. If a power cord is used, guide the end through a separate cabinet opening.

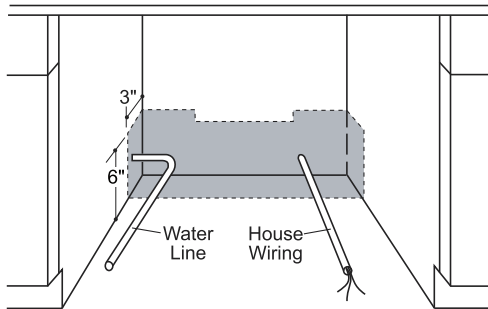


**Tip: Prevent unnecessary service call charges for fill, drain or noise concerns.**

Position utility lines so they do not interfere with anything under or behind the dishwasher.

## STEP 6 POSITION WATER LINE AND HOUSE WIRING

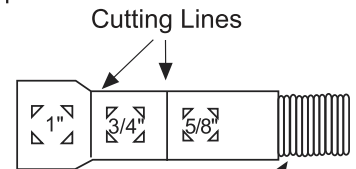
- Position water supply line and house wiring on the floor of the opening to avoid interference with base of dishwasher and components under dishwasher.



## STEP 8 CONNECT DRAIN LINE

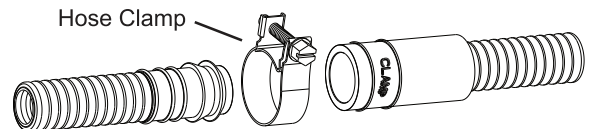
The molded end of the drain hose will fit 5/8" through 1" diameter inlet ports on the air gap, waste tee or disposer.

- Determine size of inlet port.
- Cut drain hose connector on the marked line, if required, to fit the inlet port.



- Use the drain hose extension provided and connect directly to the drain loop already attached to the unit. Secure the connection, with hose clamp, to the provided user bag drain hose.

**IMPORTANT: Do NOT cut corrugated portion of hose**



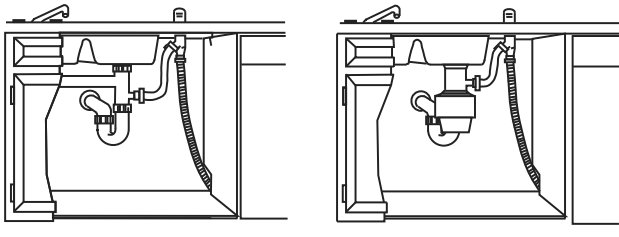
- **DRAIN CONNECTION HEIGHT IS NOT TO EXCEED 72" ABOVE BOTTOM OF DISHWASHER.**
- **TOTAL DRAIN HOSE LENGTH MUST NOT EXCEED 12 FEET FOR PROPER DRAIN OPERATION.**

# Dishwasher Installation

## STEP 8 CONNECT DRAIN LINE (CONT.)

- Connect drain line to air gap, waste tee or disposer using the previously determined method. Secure hose with a screw-type clamp.

### Method 1 – Air gap with waste tee or disposer

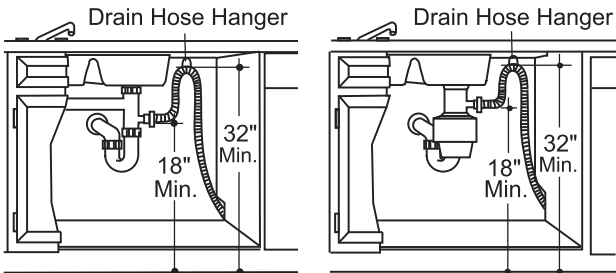


Waste Tee Installation

Disposer Installation

### Method 2 – “High drain loop” with waste tee or disposer

Fasten drain hose to underside of countertop with a hanger.

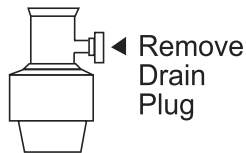


Waste Tee Installation

Disposer Installation

**IMPORTANT – Either one of the above methods must be used or dishwasher will not operate properly.**

**IMPORTANT –** When connecting drain line to disposer, check to be sure that drain plug has been removed. **DISHWASHER WILL NOT DRAIN IF PLUG IS LEFT IN PLACE.**



**Tip: Avoid unnecessary service call charges for a no drain complaint.**

Make sure excess drain hose has been pulled through the cabinet opening. This will prevent excess hose in the dishwasher cavity from becoming kinked or crushed by the dishwasher.

## STEP 9 INSTALL THE MOUNTING BRACKETS

You will need the mounting brackets and 4 of the cross-head screws set aside in the **PREPARATION** section.

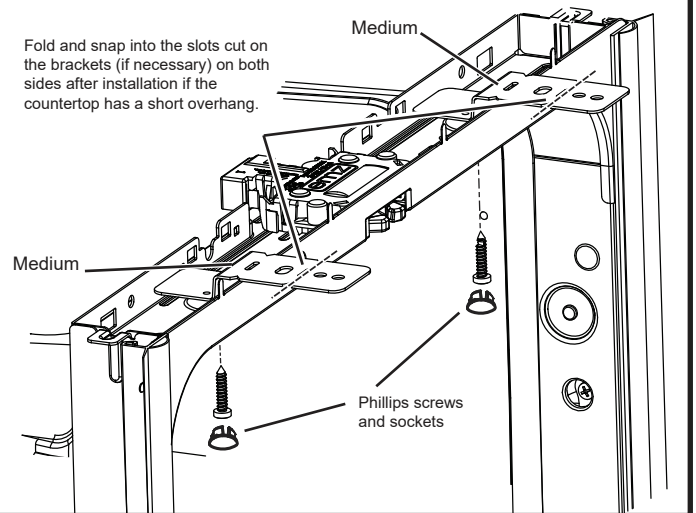
You must install the mounting brackets on top of the dishwasher tub frame OR on the sides before sliding the dishwasher into position under the countertop. The mounting brackets have multiple mounting positions available to accommodate different cabinet constructions.

### TOP MOUNTING OPTION

**Install the mounting brackets on top if the underside of the countertop is made of wood or wood-like material that accepts screws:**

**IMPORTANT –** After installing the brackets and before closing the dishwasher door, adjust the brackets by bending them upward as needed to prevent contact with the top of the dishwasher door and avoid damage.

- If you install the dishwasher under a counter with a short overhang, the counter supports may extend beyond the counter edge. If this occurs, remove the excess length by repeatedly bending the supports only at the front notch until they break.
- Remove the 2 plugs located at the top inside of the dishwasher's front facade. Position the brackets on top on each side and secure them from the inside using cross-head screws. Replace the plugs.



# Dishwasher Installation

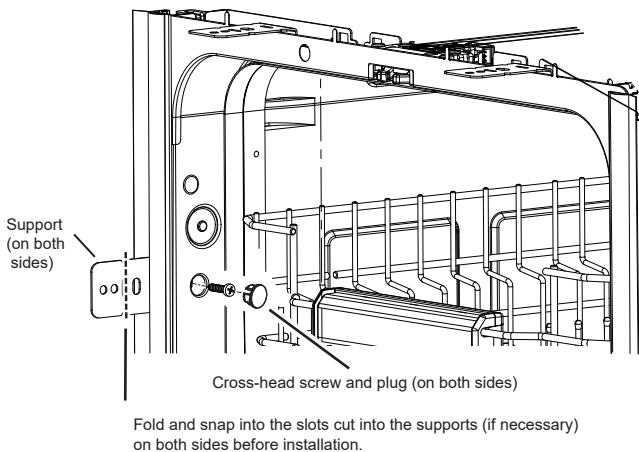
## STEP 9 INSTALL THE MOUNTING BRACKETS

### SIDE MOUNTING OPTION

Install the mounting brackets on the sides if the countertop is made of granite or similar material that does not accept wood screws:

- Break the front of the tab at the indicated location using pliers before placing it in the dishwasher.
- Position the support on the left side as indicated. Repeat the procedure with the appropriate support.
- Remove the two plugs located inside the dishwasher. Position the supports on each side and secure them from the inside using cross-head screws.

Replace the plugs.

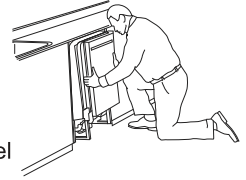


## STEP 11 POSITION DISHWASHER UNDER COUNTERTOP

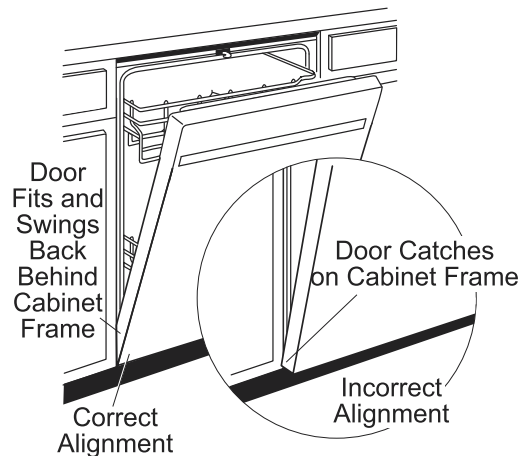
- Push the dishwasher into the cabinet.
- Push the sides with your hands. Do not use your knee against the door since door damage will occur.



Do not push against front door panel with knee. Damage to the door panel will occur.



- Check that the tub insulation blanket does not get "bunched-up" or interfere with the springs as you slide it into the cabinet.
- Center the dishwasher in the opening. Select desired spacer width and cut to size. Remove adhesive and fit two spacers to each side of the product.
- Front of door panel should be flush with face of cabinet.
- Carefully open and close the door to ensure that the door panel does not catch or rub on the cabinet frame.
- If the door catches or rubs on the frame, reposition and/or level the unit (see Step 14) until the door moves freely and does not contact the cabinet frame.



TOP VIEW

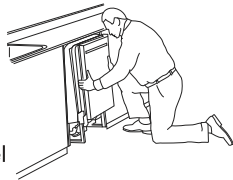
## STEP 10 SLIDE DISHWASHER PARTIALLY INTO CABINET

**IMPORTANT** – Do not push against front panel with knees. Damage will occur.

- Grasp the sides of the front panel and slide dishwasher into the opening a few inches at a time.

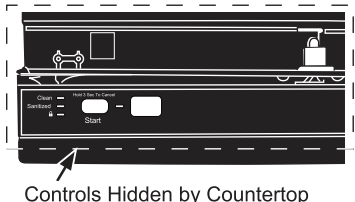


Do not push against front door panel with knee. Damage to the door panel will occur.



- As you proceed, pull the drain hose through the opening under the sink. Stop pushing when the dishwasher extends about 6 inches forward of adjacent cabinets.
- Make sure drain hose is not kinked under or behind the dishwasher.
- Make certain the house wiring, drain line and water line do not interfere with components under dishwasher.

The controls on these models are designed to be hidden by your countertop. Align the dishwasher as shown in figure.



# Dishwasher Installation

## STEP 11 POSITION DISHWASHER UNDER COUNTERTOP

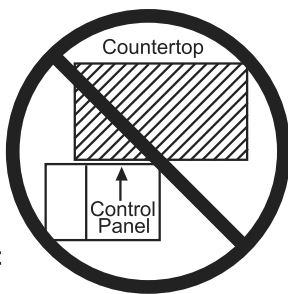
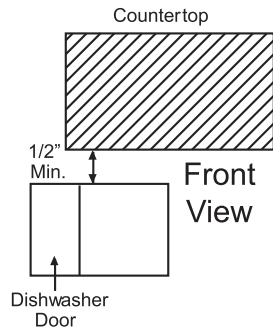
Leave a 1/2" minimum gap between the underside of the countertop and the top of the dishwasher door as shown in figure.

**NOTE:** If the drain hose gets trapped behind the unit it can prevent the controls from being hidden by the countertop.

**Tip:** The leveling legs can be used to increase or decrease the amount of gap between the controls and the countertop affecting the visibility of the controls.

**IMPORTANT—** Leave a 1/2" minimum gap between the controls and the underside of the countertop to prevent condensation and damage to the control panel from screw heads.

**NOTE:** If this dishwasher is replacing an existing dishwasher, the old countertop bracket screw holes may not be in the correct position to accept a top-control model. New holes may be required.



## STEP 12 CONNECT WATER SUPPLY

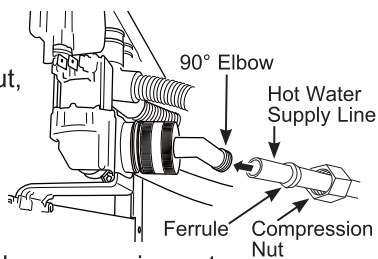
Connect water supply line to 90° elbow.

**If using a flexible braided hose connection:**

- Attach nut to 90° elbow using an adjustable wrench.

**If using a copper tubing connection:**

- Slide compression nut, then ferrule over end of water line.
- Insert water line into 90° elbow.
- Slide ferrule against elbow and secure with compression nut.



## STEP 13 CONNECT POWER SUPPLY

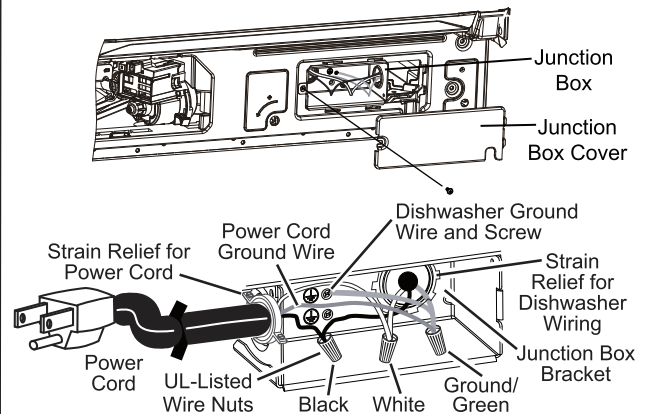
If a power cord with plug is already installed proceed to Step 14.

### ⚠ WARNING

If house wiring is not 2-wire with ground, a ground must be provided by the installer. When house wiring is aluminum, be sure to use UL-Listed anti-oxidant compound and aluminum-to-copper connectors.

- Remove junction box cover.
- Secure house wiring to the side of the junction box with a strain relief.
- Locate the 3 dishwasher wires, (white, black and green) with the stripped ends coming out of the AC jumper. Use UL-Listed wire nuts of appropriate size to connect incoming ground to green, white to white and black to black.
- Replace the junction box cover using the screws. Check to be sure that wires are not pinched under the cover.
- If using a Power Cord Kit, use GE Appliances part number **WG04F04614** and refer to the included instructions.

**NOTE:** Do not remove the Junction Box Bracket.



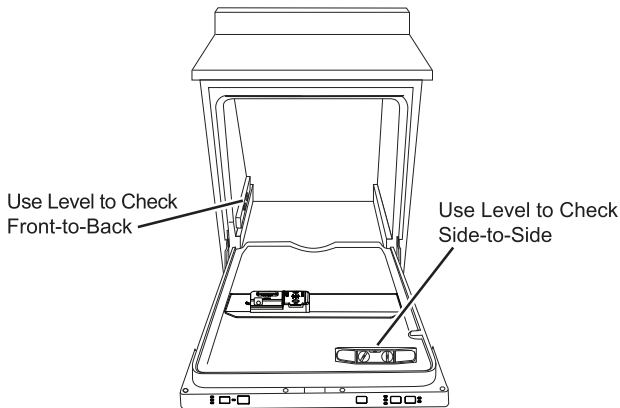
**NOTE:** All ground screws, brackets and wires must remain intact.

# Dishwasher Installation

## STEP 14 LEVEL DISHWASHER

**IMPORTANT** – Dishwasher must be level for proper dish rack operation, wash performance and door operation. The dishwasher must be leveled left to right and front to back.

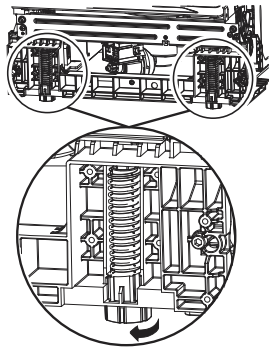
- Make sure 1/2" minimum gap under the countertop is maintained.
- Remove the lower dish rack and place a level on the door and lower rack track as shown in the figure.



- If the dishwasher is not level, adjust the four leveling legs individually.

**Tip: Prevent unnecessary service charges. Verify dishwasher is leveled.**

Pull the dish racks half way out. They should stay put. Open and close the door. The door should fit in the tub opening without hitting the side of the tub. If the racks roll on their own, or the door hits the side of tub, re-level the dishwasher.



**IMPORTANT** - After leveling, verify that the dishwasher is still in the correct position shown in Step 11.

## STEP 15 SECURE DISHWASHER TO COUNTERTOP OR CABINET

The dishwasher must be secured to the countertop or the cabinet sides.

When the underside of the countertop is wood, use **method 1 (countertop mounting)**.

Use **method 2 (side mounting)** when the underside of the countertop is made of a material, such as granite, that will not accept wood screws.

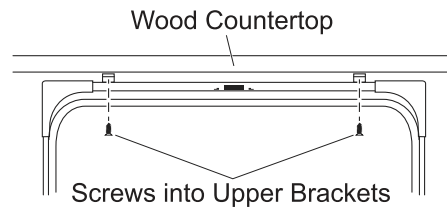
## STEP 15 SECURE DISHWASHER TO COUNTERTOP OR CABINET (CONT.)

**IMPORTANT** – Prevent door panel and control panel damage. Dishwasher must be positioned so the front panel and control panel do not contact the adjacent cabinets or countertop. Mounting screws must be driven straight and flush. Protruding screw heads could scratch the door panel or control panel and interfere with door operation.

### Method 1

**Secure dishwasher to underside of wood countertop.**

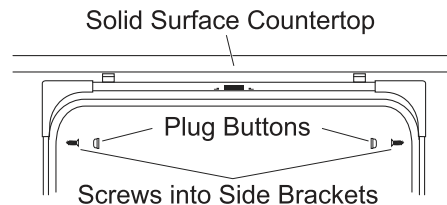
- Fasten the dishwasher to the underside of the countertop with the 2 Phillips head screws. Refer to figure. Make certain screws are driven straight and flush to prevent panel damage.



### Method 2

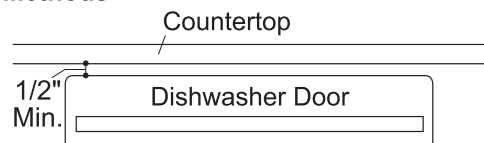
**Secure dishwasher to cabinet sides.**

- Remove plug buttons from tub. Do not discard.
- Fasten the dishwasher to the adjacent cabinets with the 2 Phillips-Head screws provided. Refer to the figure. Make certain screws are driven straight and flush to prevent panel damage. Do not screw into the cabinet face frame.
- Re-install plug buttons.



- Re-check that the dishwasher is square and level at both the top and bottom of the cabinet opening, with no twisting or distortion of the tub or door after mounting to the cabinets/countertop. Adjust if necessary.
- Confirm all leveling legs are in contact with the floor to prevent the dishwasher from rocking and ensure proper door and latch operation.

### Both Methods



- When step is complete, close dishwasher door and verify that gap between countertop and top of dishwasher door is at least 1/2".

# Dishwasher Installation

## STEP 16 PRETEST CHECKLIST

Review this list after installing your dishwasher to avoid charges for a service call that is not covered by your Warranty.

- Check to be sure power is OFF.
- Open door and remove all foam and paper packaging.
- Locate the Owner's Manual.
- Read the Owner's Manual for operating instructions.
- Check door opening and closing. If door does not open and close freely, check for proper spring adjustments. If door drops or closes when released, adjust spring tension. See Step 1.
- Check to be sure that wiring is secure under the dishwasher, not pinched or in contact with door springs or other components. See Step 13.
- Check door alignment with tub. If door hits tub, level dishwasher. See Step 14.
- Check door alignment with cabinet. If door hits cabinet, reposition dishwasher. See Step 11.
- Check that door spring does not contact water line, fill hose, wiring or other components. See Steps 10 and 11.
- Verify water supply and drain lines are not kinked or in contact with other components. Contact with motor or dishwasher frame could cause noise. See Steps 10 and 11.
- Turn on the sink hot water faucet and verify water temperature. Incoming water temperature must be between 120°F and 140°F. A minimum of 120°F temperature is required for best wash performance. See "PREPARE HOT WATER LINE".
- Add 2 quarts of water to the bottom of the dishwasher to lubricate the pump seal.
- Turn on water supply. Check for leaks. Tighten connections if needed.
- Remove protective film if present from the control panel and door.
- Avoid service call charges by ensuring there is an air gap or drain hose routed through the required 32" minimum height. See Step 7.

## STEP 17 CHECK THE FOLLOWING

- Dishwasher is square and level at both the top and bottom of the cabinet opening, with no twisting or distortion of the tub or door.
- All 4 legs of the dishwasher are firmly in contact with the floor.
- Drain hose is not pinched between the dishwasher and adjacent cabinets or walls.

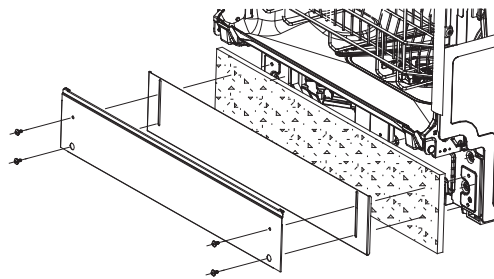
## STEP 18 DISHWASHER WET TEST

- Turn on power supply or plug power cord into outlet, if equipped.
- Select a cycle to run and push the **Start** button.

## STEP 18 DISHWASHER WET TEST (CONT)

- Close dishwasher door. Dishwasher should start.
- Check to be sure that water enters the dishwasher. If water does not enter the dishwasher, check to be sure that water and power are turned on.
- Check for leaks under the dishwasher. If a leak is found, turn off power at the breaker, and then tighten water connections. Restore power after leak is corrected.  
**NOTE:** A small amount of water may splash out of the fill funnel, on the right side of the tub, during the first use after installation. Splash-out is most likely to occur if there is air in the water supply line from new construction or if the valve has been closed for an extended time.
- Check for leaks around the door. A leak around the door could be caused by door rubbing or hitting against adjacent cabinets. Reposition the dishwasher if necessary. See Step 11.
- Open dishwasher door. Press and hold the **Start** pad, until the light next to the pad turns off, to cancel the cycle. Close dishwasher door. The unit will begin to drain. Check drain lines. If leaks are found, turn off power at the breaker and correct plumbing as necessary. Restore power after corrections are made. See Steps 7 and 8.
- Open dishwasher door and make sure all of the water has drained. If not, check that disposer plug has been removed and/or air gap is not plugged. Also check drain hose to be sure it is not kinked underneath or behind dishwasher. See Step 8.
- Press Start button once again and run dishwasher through another cycle. Check for leaks and correct if required.
- Repeat these steps as necessary.

## STEP 19 INSTALL TOEKICK AND INSULATION PIECE

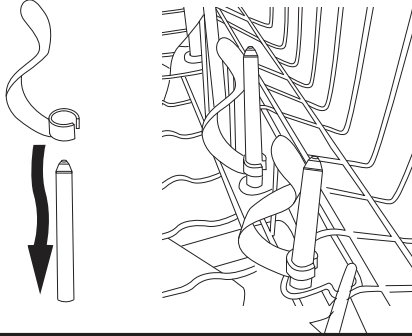


- Locate the sound insulation package inside the dishwasher. If required, trim excess felt.
- Place the insulation panel and inner toe kick piece (with slots) against the dishwasher base. The slots in the inner toe kick should align with the toe kick.  
**Tip: Reduce sound from under the dishwasher. Make sure toe kick is against floor.**
- Place larger toe kick over the inner pieces and install 4 toe kick screws.
- Use both toe kick pieces and insulation panel for all installation heights.

# Dishwasher Installation

## **STEP 20** INSTALL BOTTLE JETS CLIPS (on some models)

Locate the Bottle Jets Clips in the user bag. Install a clip over a Bottle Jets stem by slipping its clip end over the nozzle and pressing it down to the base.





# LAVE-VAISSELLE

**INFORMATION DE SÉCURITÉ ... 3**

**UTILISATION DU LAVE-VAISSELLE**

Comment démarrer ..... 5

Distributeurs ..... 8

Indicateur d'aide au consommateur ..... 9

Communication avec l'appareil ..... 10

Chargement de l'appareil ..... 11

**ENTRETIEN ET NETTOYAGE ... 15**

Mode Réglages de l'Utilisateur ..... 17

**CONSEILS DE DÉPANNAGE .... 18**

**SOUTIEN AU CONSOMMATEUR ..... 23**

**GARANTIE LIMITÉE ..... 24**

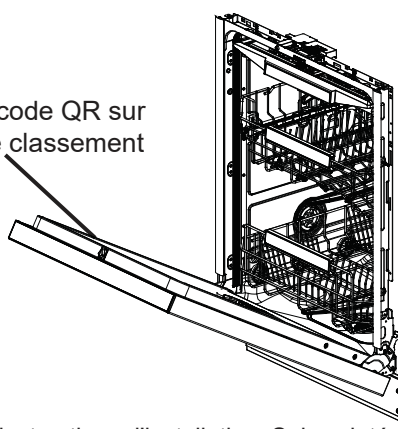
Instructions d'installation ..... 25

## MANUEL D'UTILISATION

- GBT500SGVWW
- GBT500SSVSS
- GBT600SSVFS
- PBT700SSVFS

**Pour obtenir les informations les plus récentes, scannez le code QR sur la plaque signalétique située sur la porte latérale.**

Scannez le code QR sur la plaque de classement



Ce manuel contient les instructions d'installation. Suivez intégralement ces instructions.

Inscrivez ci-dessous les numéros de modèle et de série

N° de modèle \_\_\_\_\_

N° de série \_\_\_\_\_

Ils se trouvent sur la paroi de la cuve, à l'intérieur de la porte.



0120506644



## **NOUS VOUS REMERCIONS D'ACCUEILLIR GE APPLIANCES CHEZ VOUS**

---

Que vous ayez grandi avec GE Appliances ou qu'il s'agisse de votre première acquisition, nous sommes heureux de vous accueillir dans notre famille.

Nous sommes fiers du savoir-faire, de l'innovation et de l'esthétique qui composent chaque appareil GE Appliances, et nous pensons que vous le serez aussi. Dans cette optique, nous vous rappelons que l'enregistrement de votre électroménager vous assure la communication de renseignements importants sur le produit et la garantie lorsque vous en avez besoin.

Enregistrez votre électroménager GE en ligne dès maintenant. Des sites Web et des numéros de téléphone utiles figurent dans la section Soutien au consommateur de ce manuel d'utilisation. Vous pouvez aussi poster la fiche de garantie préimprimée incluse dans l'emballage.



**GE APPLIANCES**

# CONSIGNES DE SÉCURITÉ IMPORTANTES

## LIRE TOUTES LES CONSIGNES AVANT D'UTILISER L'APPAREIL

**⚠ AVERTISSEMENT** Pour votre sécurité, veuillez suivre les directives données dans présent manuel afin de réduire au minimum les risques d'incendie, d'explosion et de chocs électriques et prévenir tout dommage et blessure grave ou mortelle.

### ⚠ AVERTISSEMENT INSTALLATION ET ENTRETIEN APPROPRIÉS

Ce lave-vaisselle doit être correctement installé, en conformité avec les directives d'installation fournies, avant d'être utilisé. Si vous n'avez pas reçu les directives d'installation avec votre appareil, vous pouvez vous les procurer en visitant notre site Web à l'adresse [www.electromenagersge.ca](http://www.electromenagersge.ca).

- Cet appareil doit être relié à un système de câblage électrique permanent en métal, mis à la terre. Sinon, un fil de mise à la terre pour appareillage doit être installé et raccordé à la borne ou au fil de mise à la terre de l'appareil.
- Un raccordement incorrect du fil de mise à la terre peut présenter un risque d'électrocution. Consultez un électricien ou un technicien qualifié si vous n'êtes pas certain que l'appareil est correctement mis à la terre.
- Vous trouverez des instructions détaillées sur la mise à la terre dans la section « PRÉPARATION DU CÂBLAGE ÉLECTRIQUE » des Instructions d'installation.
- Éliminez les appareils mis au rebut et le matériel d'expédition ou d'emballage de manière appropriée.
- Ne tentez pas de réparer ou de remplacer une pièce quelconque de votre lave-vaisselle, à moins que cela ne soit spécifiquement recommandé dans le présent manuel. Confiez toutes les autres réparations à un technicien qualifié.
- Utilisez uniquement un nécessaire de cordon électrique WG04F04614 ou câblez directement sur le circuit électrique du domicile. L'omission d'observer cette instruction peut causer un risque d'incendie ou de blessure.
- Pour réduire au minimum les risques d'électrocution, débranchez l'appareil de sa source d'alimentation avant d'en effectuer l'entretien.

**REMARQUE :** Le fait d'arrêter le lave-vaisselle ne coupe l'alimentation électrique de l'appareil. Nous vous recommandons de confier la réparation de votre électroménager à un technicien qualifié.

### ⚠ AVERTISSEMENT LORS DU FONCTIONNEMENT DE VOTRE LAVE-VAISSELLE, PRENEZ LES PRÉCAUTIONS DE BASE, NOTAMMENT LES SUIVANTES :

- N'utilisez cet appareil que pour l'usage pour lequel il a été conçu, comme expliqué dans le présent manuel.
  - Utilisez uniquement un détergent ou un agent mouillant recommandés pour utilisation dans un lave-vaisselle et tenez-les à l'écart des enfants. L'utilisation d'un détergent non conçu pour les lave-vaisselles peut provoquer la formation de mousse.
  - Placez les articles coupants de manière à ce qu'ils n'endommagent pas le joint d'étanchéité de la porte.
  - Placez dans le panier à couverts les couteaux tranchants le manche vers le haut afin de réduire les risques de coupures.
  - Ne lavez pas les articles en plastique à moins qu'ils ne portent la mention « Lavable au lave-vaisselle » ou l'équivalent. Si certains articles en plastique ne portent pas cette mention, reportez-vous aux recommandations du fabricant.
  - Ne faites pas fonctionner le lave-vaisselle si tous les panneaux de la carrosserie n'ont pas été correctement réinstallés.
  - Ne pas toucher l'élément chauffant pendant ou immédiatement après l'utilisation.
  - Ne modifiez pas le fonctionnement des commandes.  
Abstenez-vous de vous asseoir, de vous accrocher ou de vous tenir sur la porte ou le panier du lave-vaisselle, ou d'en faire un emploi abusif de toute autre manière.
  - Ne placez pas d'objets sur le dessus du lave-vaisselle portatif.
  - Évitez de vous asseoir ou de monter sur le dessus du lave-vaisselle portatif.  
Pour réduire le risque de blessure, ne laissez pas les enfants jouer avec l'électroménager, grimper dessus ou s'y introduire.
  - Ne rangez ni n'utilisez des matières combustibles, y compris de l'essence ou d'autres liquides ou vapeurs inflammables, à proximité de cet appareil ou de tout autre.
- Les petites pièces représentent un risque d'étouffement pour les jeunes enfants si elles sont retirées du lave-vaisselle. Gardez-les à l'écart des jeunes enfants.

## LISEZ ET CONSERVEZ CES INSTRUCTIONS

# CONSIGNES DE SÉCURITÉ IMPORTANTES

## LIRE TOUTES LES CONSIGNES AVANT D'UTILISER L'APPAREIL

### ⚠ AVERTISSEMENT SÉCURITÉ DU CHAUFFE-EAU

Dans certaines conditions, il peut se former de l'hydrogène dans un chauffe-eau qui n'a pas été utilisé pendant deux semaines ou plus. **L'HYDROGÈNE EST UN GAZ EXPLOSIF.**

Si vous n'avez pas utilisé votre chauffe-eau pendant deux semaines ou plus, ouvrez tous les robinets d'eau chaude et laissez couler l'eau pendant plusieurs minutes afin de réduire les risques de dommages matériels ou de blessures. Prenez cette précaution avant même d'utiliser un électroménager raccordé au chauffe-eau pour éliminer l'hydrogène qui pourrait s'y être accumulé. Puisqu'il s'agit d'un gaz inflammable, ne fumez pas ou n'utilisez pas une flamme nue ou un électroménager au cours de ce processus.

### ⚠ AVERTISSEMENT RISQUE DE SUFFOCATION POUR UN ENFANT COINCÉ À L'INTÉRIEUR DE L'APPAREIL

#### ÉLIMINATION APPROPRIÉE DU LAVE-VAISSELLE

Les lave-vaisselle jetés ou abandonnés sont dangereux... même si vous ne les laissez là que pour quelques jours. Si vous voulez jeter votre lave-vaisselle, veuillez suivre les directives ci-dessous pour éviter les accidents.

- Ne laissez pas les enfants jouer avec, sur, le lave-vaisselle, ou à l'intérieur de celui-ci ou de tout autre électroménager mis aux rebus.
- Enlevez la porte du compartiment de lavage.

### ⚠ ATTENTION POUR ÉVITER LES BLESSURES MINEURES OU LES DOMMAGES MATÉRIELS

- Pendant ou après le cycle de lavage, le contenu peut s'avérer très chaud au toucher. Manipulez-le avec soin.
- Une surveillance attentive est nécessaire lorsque cet appareil est utilisé par ou près des enfants. Ne laissez pas les enfants jouer à proximité du lave-vaisselle lorsque vous la fermeture de la porte, la fermeture de la crémaillère supérieure, ou tout réglage en hauteur du panier supérieur afin d'éviter que leurs petits doigts se coincent.
- Articles autres que la vaisselle : ne lavez pas dans le lave-vaisselle des articles comme des filtres de purificateur d'air, des filtres de systèmes de chauffage ou des pinceaux. Vous pourriez endommager le lave-vaisselle et provoquer une décoloration ou des taches dans l'appareil.

### EXIGENCES ÉLECTRIQUES

Assurez-vous que les connexions électriques et le calibre des fils sont adéquats et en conformité avec le National Electric Code, ANSI/NFPA 70, dernière édition, et tous les codes et règlements locaux.

#### Cet électroménager doit comporter :

- Une alimentation électrique à fusibles de 120 V, 60 Hz, C.A. seulement, 15 ou 20 ampères.
- Le câble doit comporter 2 fils avec terre et être certifié pour une température de 75 °C (167 °F).
- Si l'alimentation ne satisfait pas aux exigences ci-dessus, appelez un électricien agréé avant de procéder.

#### Il est recommandé d'avoir :

- Un disjoncteur ou un fusible temporisé.
- Un circuit de dérivation particulier correctement mis à la terre.

### ⚠ AVIS

- Si votre lave-vaisselle est branché sur un circuit relié à un interrupteur mural, assurez-vous d'actionner celui-ci avant d'utiliser votre appareil.
- Si vous fermez l'interrupteur mural entre les cycles de lavage, attendez de 5 à 10 secondes après avoir ramené l'interrupteur à marche avant d'appuyer sur la touche **Start** (Marche) pour permettre aux commandes de se réinitialiser.
- N'utilisez que les détergents et agents de rinçage liquides, en poudre ou en tablette ou les **Cascade® Platinum™ ActionPacs™** ou **Finish® Quantum® Automatic Dishwashing Detergent** (détergent à vaisselle automatique) recommandés pour les lave-vaisselle et gardez-les hors de la portée des enfants. Les détergents pour lave-vaisselle **Cascade® Platinum™ ActionPacs™** ou **Finish® Quantum® Automatic Dishwashing Detergent** et les agents de rinçage **Cascade® Platinum™ Power Dry™ Rinse Aid** ou **Finish® Jet-Dry® Rinse Aid** sont approuvés avec les lave-vaisselle GE Appliances.

### Mise au rebut adéquate de votre électroménager

- Veuillez jeter ou recycler votre débarrasser de la façon électroménager conformément aux règlements fédéraux ou locaux. Communiquez avec les instances locales pour en savoir plus sur la mise au rebut ou le recyclage de votre débarrasser de la façon électroménager.
- Considérez les options de recyclage des matériaux d'emballage de votre électroménager.

## LISEZ ET CONSERVEZ CES DIRECTIVES

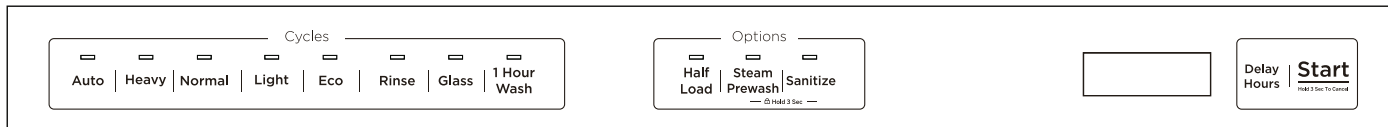
# Comment démarrer

Les caractéristiques et l'apparence des appareils varient tout au long de ce manuel selon les modèles

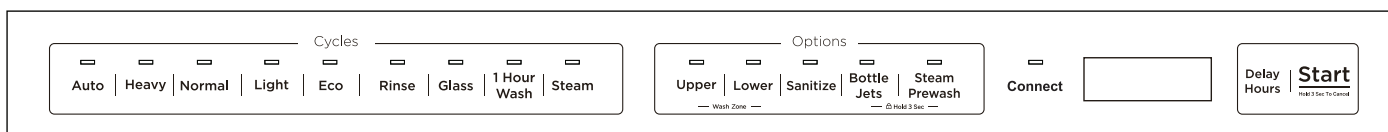
Caractéristiques et apparence peuvent différer selon les parties du manuel



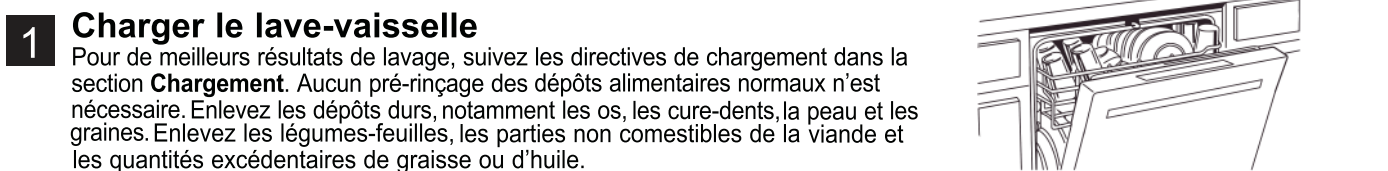
## GBT500



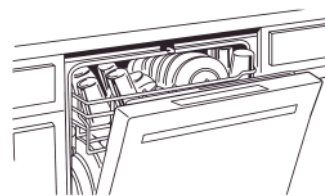
## GBT600



## PBT700



**1 Charger le lave-vaisselle**  
 Pour de meilleurs résultats de lavage, suivez les directives de chargement dans la section **Chargement**. Aucun pré-rinçage des dépôts alimentaires normaux n'est nécessaire. Enlevez les dépôts durs, notamment les os, les cure-dents, la peau et les graines. Enlevez les légumes-feuilles, les parties non comestibles de la viande et les quantités excédentaires de graisse ou d'huile.



**2 Ajouter le détergent**  
 Ajoutez la quantité de détergent requise dans le distributeur à détergent. Utilisez des détergents de haute qualité tels que **Cascade® Platinum™ ActionPacs™** ou **Finish® Quantum® Automatic Dishwashing Detergent** (détergent à vaisselle automatique). Consultez la section **Distributeurs**.

**3 Ajouter le produit de rinçage**  
 Ajoutez des agents de rinçage de haute qualité tels que le produit de rinçage **Cascade® Platinum™ Power Dry™ Rinse Aid** ou **Finish® Jet-Dry® Rinse Aid** dans le distributeur. Consultez la section **Distributeurs**. **REMARQUE :** L'utilisation d'un agent de rinçage peut améliorer l'efficacité de séchage du lave-vaisselle.

**4 Sélectionner le cycle**  
 Ouvrez la porte et appuyez sur la touche **Cycle Select** pour choisir le cycle de lavage désiré. Le voyant vis-à-vis de la touche **Cycle Select** s'allumera pour indiquer le cycle qui a été choisi. **REMARQUE :** La durée des cycles dépend du degré de saleté, de la température de l'eau et des options sélectionnées. Le cycle doit être sélectionné même si la porte est ouverte. Pour démarrer le cycle, il faut absolument appuyer sur le bouton **Start** et fermer la porte en moins de 4 secondes.

<b>AutoSense (DétectionAuto)</b>	Ce cycle détecte automatiquement le degré de saleté et règle le cycle de lavage en conséquence. Il est conçu pour laver en totalité une pleine charge de vaisselle souillée sur une base quotidienne, régulière ou habituelle tout en économisant l'eau et l'énergie. <b>REMARQUE : AutoSense (DétectionAuto)</b> a été utilisé pour déterminer l'efficacité énergétique de ce lave-vaisselle. *Plage de temps : 1 heure 22 minutes - 2 heures 30 minutes (Auto), 3 heures 55 minutes - 4 heures 25 minutes (AutoSense).
<b>Heavy (Très sale)</b>	Ce cycle est destiné à la vaisselle et batterie de cuisine très sale, avec dépôts alimentaires séchés ou cuits. Ce cycle convient aussi à la vaisselle de tous les jours. *Durée : 2 heures 23 minutes.
<b>Normal (sur certains modèles)</b>	Ce cycle est conçu pour une utilisation quotidienne, régulière ou typique afin de laver complètement une charge complète de vaisselle normalement sale, et il est conçu pour économiser à la fois l'eau et l'énergie. <b>NOTE : La norme Nformal a été utilisée pour évaluer l'efficacité énergétique des modèles PBT700 et GBT600. *Durée : 3 heures 22 minutes (PBT700) ou 2 heures 44 minutes (GBT600).</b>
<b>Light (Légèrement sale)</b>	Ce cycle est pour la vaisselle de légèrement saleté. Il est sûr pour la porcelaine et le cristal sans options sélectionnées. *Durée : 44 minutes
<b>ECO (Écologique)</b>	Ce cycle est destiné à la vaisselle normalement sale et est conçu pour optimiser l'utilisation de l'eau et de l'énergie. <b>REMARQUE :</b> Le cycle Eco a été utilisé pour évaluer l'efficacité énergétique des modèles PBT700 et GBT600. *Durée : 5 heures 3 minutes ou 3 heures 55 minutes.
<b>Rinse (Rinçage) (certains modèles)</b>	Permet de rincer des charges partielles qui seront lavées ultérieurement. Ne pas utiliser de détergent. Le détergent n'est pas distribué pendant le cycle de rinçage. *Durée : 10 minutes.

## Comment démarrer Les caractéristiques et l'apparence des appareils varient tout au long de ce manuel selon les modèles

**Glass (Verrerie)** (certains modèles) Pour la vaisselle et la verrerie peu sale et sensible à la chaleur, comme les verres à vin. \*Durée : 1 heure 17 minutes.

**1 Hour Wash (Lavage 1 Heure)** (certains modèles) Ce cycle permet de laver rapidement la vaisselle peu sale. \*Durée : 60 minutes.

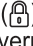
**Steam (Vapeur)** (certains modèles) Ce cycle augmente les températures et les maintient plus longtemps pour obtenir une performance de désinfection définie. \*Durée : 2 heures 19 minutes.

### 5 Sélectionner les options

**Boost (Augmenter)** (certains modèles) Cette option augmente la température de l'eau et prolonge la durée du cycle afin d'obtenir une meilleure efficacité de lavage.

**Sanitize (Hygiénique)** Cette option élève la température de l'eau du rinçage final afin de désinfecter la vaisselle. La durée du cycle peut varier selon la température de l'eau d'admission. **REMARQUE** : Les cycles utilisant cette option sont surveillés pour satisfaire les critères de désinfection. S'il est interrompu pendant ou après la phase principale du lavage ou si la température de l'eau d'admission est si basse qu'un réchauffage adéquat ne peut être atteint, il se peut que les critères de désinfection ne soient pas satisfaits. Dans ces cas, le voyant Sanitized (Hygiénique) ne s'allumera pas à la fin du cycle. L'utilisation de cette option modifiera le cycle afin de satisfaire la norme 184, Section 6, de la NSF relative à l'élimination de la souillure et l'efficacité de la désinfection. **REMARQUE** : Les lave-vaisselle à usage domestique certifiés NSF ne sont pas destinés aux établissements alimentaires commerciaux.

**Delay Start (Mise en marche différée)** Cette option vous permet de retarder d'un maximum de 12 heures le début d'un programme de lavage. Porte ouverte et cycle sélectionné, appuyez sur le pad **Delay Start** (Mise en marche différée) pour choisir de combien d'heures vous souhaitez différer le démarrage du cycle de lavage. Les heures apparaîtront sur l'affichage. **REMARQUE** : Vous pouvez annuler la minuterie **Delay Start** en pressant la touche **Start** durant 3 secondes. Cela annulera aussi le cycle de lavage.

**Control Lock (Commande de verrouillage)** Vous pouvez verrouiller les commandes pour empêcher que des sélections ne soient effectuées. Vous pouvez aussi verrouiller les commandes après le démarrage d'un cycle pour empêcher une modification. Par exemple, cette option empêchera le démarrage accidentel du lave-vaisselle lorsqu'un enfant appuie sur des touches par inadvertance.  
**Pour VERROUILLER/DÉVERROUILLER** les commandes du lave-vaisselle, maintenez une pression sur les touches **Cycle Select** et **WashTemp** durant 3 secondes. Le voyant de verrouillage () s'allumera pour indiquer que les commandes sont verrouillées et il s'éteindra lorsqu'elles sont déverrouillées.

- Pour les modèles PBT700, appuyez sur les touches Steam Prewash (Prélavage à la vapeur) et Bottle Jets (Jets de Bouteille) et maintenez-les enfoncées.
- Pour les modèles GBT600, appuyez sur les touches Steam Prewash (Prélavage à la vapeur) et Sanitize (Hygiénique) et maintenez-les enfoncées.
- Pour les modèles GBT500, appuyez sur les touches Cycle Select et Wash Temp (Lavez Temp) et maintenez-les enfoncées.

**Upper (Supérieure)** (certains modèles) Cette option permet de laver la vaisselle placée uniquement dans le panier supérieur et le troisième panier. Elle permet de raccourcir la durée du cycle et d'économiser de l'énergie.

**Lower (Inférieur)** (certains modèles) Cette option permet de laver uniquement la vaisselle placée dans le panier inférieur. Cette option permet de réduire la durée du cycle et d'économiser de l'énergie.

**Bottle Jets (Jets de Bouteille)** (certains modèles) Cette option permet d'augmenter la durée d'action des jets d'eau des biberons. Cette option permet de laver les biberons difficiles à nettoyer, les biberons résistants au lave-vaisselle, les bouteilles de sport, les grandes tasses à café, etc.

**Steam Prewash (Prélavage à la vapeur)** (certains modèles) Cette option augmente la température et la durée du cycle de 30 minutes de prélavage.

**Half Load (Demi-Charge)** (certains modèles) Cette option permet de placer une demi-charge ou moins. Elle permet de raccourcir la durée du cycle et d'économiser de l'énergie.

## Comment démarrer

### 6 Démarrer le lave-vaisselle

<b>Start (Démarrer)</b>	Appuyez sur la touche <b>Start</b> (Démarrer) et fermez la porte dans les 4 secondes pour démarrer le cycle ou commencer le compte à rebours du départ différé. Le voyant de démarrage s'allume. Le cycle de lavage commence après 10 secondes, puis pompera pendant 35 secondes avant de remplir le lave-vaisselle d'eau. L'affichage s'éteint si la porte reste ouverte pendant 30 secondes. Pour activer l'affichage, appuyez sur n'importe quelle touche avec la porte ouverte.
<b>(Interruption ou pause)</b>	Pour interrompre un cycle ou faire une pause, ouvrez la porte lentement. L'ouverture de la porte occasionnera une pause dans le cycle. Après 7 minutes, le lave-vaisselle émettra un bip toutes les 90 secondes pour vous rappeler de fermer la porte. Pour redémarrer ou reprendre le cycle, appuyez sur la touche <b>Start</b> (Démarrer) et fermez la porte dans les 4 secondes.
<b>Cancel (Annuler)</b>	Pour annuler un cycle de lavage, maintenir une pression sur la touche <b>Start</b> bouton 3 secondes puis fermer la porte. Le lave-vaisselle se vidangera, émettra un bip, maintenez la touche <b>Start</b> enfoncée pendant 3 secondes et le voyant du cycle de lavage s'éteindra.

### 7 Voyants et sons du cycle

<b>Sanitized (Hygiénique)</b> (certains modèles)	Voyant allumé à la fin du cycle lorsque <b>Wash Temp Sani</b> (Lavez temp - Hygiénique) a été sélectionné et que le lave-vaisselle a satisfait aux critères de désinfection. Consultez la rubrique <b>Wash Temp Sani</b> (Lavez temp - Hygiénique) pour une description complète de l'option. Fermer la porte ou appuyer sur n'importe quelle touche éteindra la lumière.
<b>Clean (Nettoyer)</b> (certains modèles)	Ce voyant s'allume lorsque le cycle de lavage est terminé. Il reste allumé pour rappeler que la vaisselle est propre.
<b>Cycle Status (État du cycle)</b> (certains modèles)	Le voyant lumineux sur le devant de la porte changera de couleur pour indiquer l'état du lavage. Pendant le cycle de lavage, le voyant lumineux sera orange. Une fois le cycle de lavage terminé, le voyant devient blanc.
<b>Sons</b>	Le lave-vaisselle émettra un son pour indiquer la fin du cycle, les pressions sur les touches et la porte entrouverte.
<b>Sabbat/Mode d'activation de la porte</b>	Pour activer ou désactiver (ON/OFF) cette option, maintenez enfoncées les touches Start et Wash Temp 5 secondes, fermez la porte et attendez 3 minutes que le lave-vaisselle passe en mode veille. Dans la position OFF, l'affichage et les sonorités des commandes et les lampes intérieures (certains modèles) ne répondront pas à l'ouverture ou la fermeture de la porte. Ce mode peut être utilisé lors de l'observation de certains rites religieux tels que le sabbat. Pour activer la commande et les lampes (certains modèles) intérieures, pressez n'importe quelle touche.

### 8 Démarrez et fermez Wi-Fi Connect (certains modèles)

Appuyez sur la touche **Connect** pendant 3 secondes pour accéder au mode de configuration. L'écran affiche « App » et le voyant Wi-Fi (📶) commence à clignoter. Si la configuration est réussie, le lave-vaisselle émettra un bip et le voyant Wi-Fi (📶) s'allumera. Le voyant **Connect** s'éteindra. Une fois la connexion Wi-Fi établie, suivez les conseils de l'application. Appuyez sur la touche **DELAY** pendant 3 secondes pour accéder au réglage à distance et le voyant **Connect** s'allumera. Vous pouvez utiliser l'application à distance pour faire fonctionner le lave-vaisselle.

### Vérification de la température de l'eau

L'eau qui alimente le lave-vaisselle doit être à une température d'au moins 49°C (120°F) et d'au plus 66°C (150°F) pour que l'action de lavage soit efficace et pour prévenir tout dommage à la vaisselle. Vérifiez la température de l'eau avec un thermomètre à bonbons ou à viande.

Ouvrez le robinet d'eau chaude le plus près du lave-vaisselle, placez le thermomètre dans un verre et laissez l'eau couler continuellement dans le verre jusqu'à ce que la température cesse d'augmenter.

### Ouverture automatique de la porte

Une fois le cycle de lavage terminé, la porte s'ouvre légèrement automatiquement pour faciliter le séchage.\*Pour de meilleurs résultats, déchargez la vaisselle une fois refroidie. Cette fonction peut être désactivée, voir la section Mode de réglage de l'utilisateur.

- Pour les modèles PBT700 et GBT600 : Pour le cycle de lavage ECO, la fonction d'ouverture automatique de la porte ne peut pas être désactivée. Cycle de lavage avec rinçage sans fonction d'ouverture automatique de la porte.
- Pour les modèles GBT500 : Pour le cycle de lavage AutoSense (Auto|Normal), la fonction d'ouverture automatique de la porte ne peut pas être désactivée.

## Distributeurs

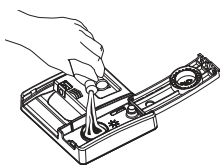
### Utilisation d'un produit de rinçage

Les agents de rinçage de haute qualité tels que le produit de rinçage **Cascade® Platinum™ Power Dry™ Rinse Aid** ou **Finish® Jet-Dry® Rinse Aid** sont conçus pour une meilleure efficacité au séchage et une protection contre les taches et le film susceptibles de se former sur la vaisselle, la verrerie, la coutellerie, la batterie de cuisine et le plastique.

### Remplissage du distributeur

Le distributeur de produit de rinçage contient 115 ml (3,9 oz) de produit de rinçage. Dans des conditions normales de fonctionnement, cette quantité est suffisante pour environ un mois - selon le réglage.

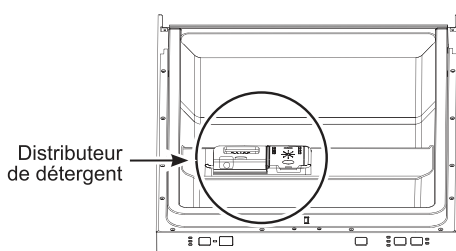
- 1 Assurez-vous que la porte du lave-vaisselle est entièrement ouverte.
- 2 Ouvrez le couvercle du distributeur. (Le compartiment du produit de rinçage se trouve du côté droit du distributeur.)
- 3 Ajoutez lentement le produit de rinçage jusqu'à remplir le contenant. Il se peut que vous deviez vous arrêter à quelques reprises pour permettre la décantation.
- 4 Nettoyez le produit de rinçage renversé avec un linge humide afin de prévenir la formation de mousse à l'intérieur du lave-vaisselle.
- 5 Fermez le couvercle du distributeur.



### Distributeur de détergent

Pour ouvrir, appuyez sur le bouton et le couvercle retournera. Le distributeur de détergent comporte deux compartiments. Le compartiment de pré-lavage se trouve sur le couvercle du distributeur de détergent. Utilisez le compartiment de pré-lavage uniquement lorsque l'eau est extrêmement dure ou que la vaisselle est très sale. Le compartiment de pré-lavage n'est pas utilisé lorsque du détergent en pastille ou en sachet est employé.

**REMARQUE :** N'obstruez pas le distributeur de détergent en plaçant des ustensiles trop larges ou longs à proximité.



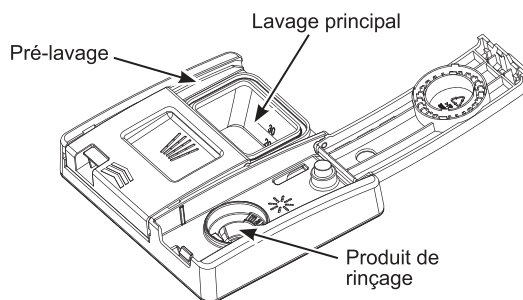
Vous pouvez utiliser du détergent à lave-vaisselle en tablettes, en poudre, en liquide ou en gel. Assurez-vous de n'utiliser que des détergents spécifiquement adaptés aux lave-vaisselle automatiques. N'utilisez jamais de détergent liquide pour le lavage de la vaisselle à la main. Si vous utilisez un détergent inadapté, il se formera de la mousse et le lavage ne sera pas optimal.

Il est important de conserver le détergent dans un endroit sec et dans son emballage d'origine afin qu'il ne perde pas de son efficacité. Par conséquent, ne versez le détergent dans le distributeur qu'au moment de mettre le lave-vaisselle en marche, puis fermez le couvercle. Le couvercle s'ouvrira pendant le programme.

### Remplissage du distributeur de détergent

Nous vous recommandons d'utiliser un détergent de haute qualité sous forme de tablette ou de sachet. Des essais indépendants ont démontré que ce type de détergent est très efficace dans le lave-vaisselle. **Cascade® Platinum™ ActionPacs™** ou **Finish® Quantum® Powerball®** est un exemple de ce type de détergent. Mettez simplement une tablette ou une dose dans le compartiment principal et faites glisser pour fermer le couvercle du compartiment à détergent. Veuillez noter que la tablette ou la dose doit être placée dans le compartiment principal de détergent. Si la tablette ou la dose est déposée dans le compartiment de pré-lavage ou au fond du lave-vaisselle, le détergent sera éliminé très rapidement et sera donc inutilisé. Les performances de lavage seront alors très mauvaises.

Si vous choisissez d'utiliser un détergent en poudre, liquide ou en gel, la quantité utilisée sera fonction de la dureté et de la température de votre eau ainsi que de degré de salissure de votre vaisselle. Contactez votre compagnie distributrice des eaux pour obtenir des informations sur la dureté de l'eau dans votre région. La dureté de l'eau se mesure en grains par gallon. Utilisez cette information et le tableau ci-dessus pour déterminer la quantité de détergent à utiliser. Vous pouvez également acheter des bandes tests de dureté de l'eau auprès de GE Appliances. Appelez le 800-661-1616 et demandez le numéro de pièces **WD01X10295**.



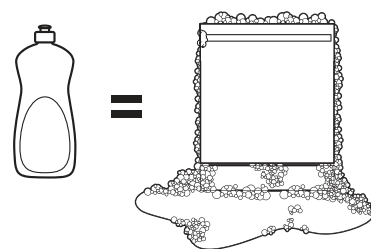
## Distributeurs

Utilisez le tableau comme point de départ puis ajustez la quantité de détergent que vous utilisez. Utilisez juste assez de détergent pour obtenir une qualité de lavage adéquate. L'utilisation de la quantité appropriée procurera une excellente qualité de lavage sans gaspiller de détergent ou attaquer la verrerie.

Nombre de grains/gal.	Niveau de compartiment(s) de détergent à remplir
Moins de 4	Remplissez le compartiment principale jusqu'à la ligne 15
4 à 7	Remplissez le compartiment principale jusqu'à la ligne 25
Plus de 7	Remplissez le compartiment principal et celui du pré-lavage

L'utilisation de trop de détergent avec une eau trop douce et/ ou trop chaude peut attaquer chimiquement votre verrerie. Le « voile » qui en résulte affectera votre verrerie en permanence. Cette situation est irréversible. Toutefois, trop peu de détergent peut affecter les performances de lavage.

### N'UTILISEZ PAS DE DÉTERGENT LIQUIDE POUR LE LAVAGE DE LA VAISSELLE À LA MAIN



**REMARQUE :** Si vous utilisez un détergent qui n'est pas conçu pour les lave-vaisselle, il se formera de la mousse à l'intérieur de l'appareil. Pendant le fonctionnement, cette mousse sortira par les événements de l'appareil et s'écoulera sur le plancher de cuisine.

Comme bon nombre de contenants de détergent se ressemblent, rangez le détergent pour lave-vaisselle à part de vos autres produits nettoyants. Montrez le bon détergent à toute personne susceptible d'utiliser le lave-vaisselle, ainsi que l'endroit où vous le gardez.

Même si l'utilisation d'un détergent non conçu pour les lave-vaisselle automatiques ne risque pas de causer des dommages permanents à votre appareil, votre vaisselle ne sera pas aussi propre.

## Indicateur d'Aide au Consommateur

Votre lave-vaisselle est équipé d'un Indicateur d'Aide au Consommateur (IAC). L'Indicateur d'Aide au Consommateur est notre façon de communiquer un remède simple pour certaines situations, que vous pouvez appliquer sans avoir besoin de faire appel au service après-vente. Le tableau ci-dessous décrit les messages utiles que vous pouvez remarquer sur votre écran lorsque vous revenez pour commencer une autre charge. Ces messages vous indiquent des solutions simples que vous pouvez rapidement mettre en œuvre.

404	Indique un débit d'eau insuffisant. Vérifiez que l'alimentation en eau est correctement branchée et entièrement ouverte.
405	Indique qu'aucun débit d'eau n'est détecté. Assurez-vous que l'eau est connectée et activée.
400	Indique qu'un débit d'eau est détecté sur le flotteur de base. Coupez l'alimentation en eau pour éviter tout dommage.

Pour quitter l'indicateur d'aide au consommateur :

Ouvrez la porte et appuyez une fois sur la touche **Start** Démarrer, puis fermez la porte et le processus de lavage continue. Ou appuyez sur la touche **Start** (Démarrer) pendant 3 secondes pour éteindre puis redémarrer. Utilisez cette méthode pour quitter le code **400** après avoir nettoyé l'eau de débordement sur le flotteur de base.

# Communication de l'appareil

---

## Wi-Fi Connect (Connexion Wi-Fi)

(certains modèles)

Votre lave-vaisselle est compatible avec GE Appliances Wi-Fi Connect. Une carte de communication Wi-Fi est intégrée au produit, ce qui lui permet de communiquer avec votre smartphone pour une surveillance, un contrôle et des notifications à distance.

Visitez le site [www.GEAppliances.com/connect](http://www.GEAppliances.com/connect) pour connecter votre appareil. En savoir plus sur les fonctionnalités des appareils connectés et découvrir les applications d'appareils connectés qui fonctionnent avec votre smartphone.

Connectivité Wi-Fi : Pour toute assistance concernant l'appareil ou la connectivité au réseau ConnectPlus, veuillez appeler GE Appliances au 800.220.6899.

## Déclaration de conformité FCC

Cet appareil est conforme à l'article 15 de la réglementation de la FCC. Son utilisation est soumise aux deux conditions suivantes : (1) cet appareil ne doit pas causer d'interférences nuisibles, et (2) cet appareil doit accepter toute interférence, y compris toute interférence qui pourrait occasionner un fonctionnement inopportun.

Remarque : Cet équipement a été testé et déclaré conforme aux limites pour un appareil numérique de classe B, conformément à l'article 15 de la réglementation de la Federal Communications Commission (FCC) des États-Unis. Ces limites sont conçues pour assurer une protection raisonnable contre les interférences nocives dans une installation résidentielle. Cet équipement génère, utilise et peut émettre de l'énergie radiofréquence (RF), et, s'il n'est pas installé et utilisé conformément aux instructions, peut provoquer des interférences nuisibles avec les communications radio. Cependant, il ne peut être exclu que des interférences se produisent dans une installation donnée. Si cet équipement génère des interférences nuisant à la réception radio ou télévisuelle, ce qui peut être déterminé en mettant l'appareil hors tension, puis à nouveau sous tension, l'utilisateur est invité à corriger les interférences en appliquant une ou plusieurs des mesures suivantes :

- Réorientez ou déplacez l'antenne réceptrice.
- Éloignez l'équipement du récepteur.
- Connectez l'équipement à une sortie située sur un autre circuit que celui auquel le récepteur est branché.
- Contactez votre revendeur ou un technicien radio/TV qualifié pour obtenir de l'aide.

**Étiquetage** : Les changements ou modifications apportés à cet appareil qui ne sont pas expressément approuvés par le fabricant peuvent annuler le droit de l'utilisateur à faire fonctionner l'équipement.

## Chargement

Pour un lavage optimal, veuillez suivre les lignes directrices ci-dessous pour le chargement des paniers. Les caractéristiques et l'apparence des paniers et du panier à couverts peuvent être différentes de celles de votre modèle.

### Panier supérieur

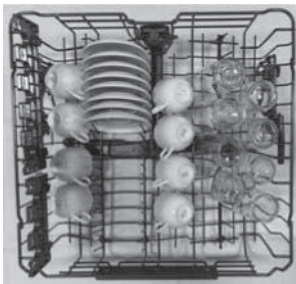
Le panier supérieur est destiné aux verres, aux tasses et aux soucoupes. C'est aussi un endroit sûr pour les articles de plastique qui vont au lave-vaisselle. Le panier supérieur peut être utilisé pour les ustensiles aux dimensions spéciales. Les poêlons, les bols à mélanger et d'autres articles de taille similaire doivent être placés à l'envers pour un meilleur résultat de lavage.

Un support à tasses s'abaisse et se relève pour plus de souplesse.

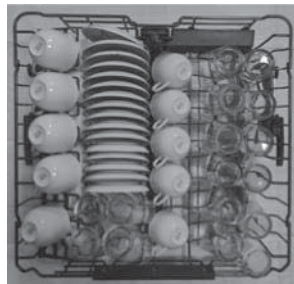
**IMPORTANT :** Il est important de faire en sorte que les articles ne dépassent pas du bas du panier pour ne pas gêner la rotation du bras gicleur supérieur. Cette situation pourrait causer du bruit pendant le fonctionnement et/ou un lavage de piètre qualité.



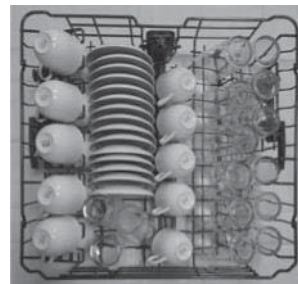
**IMPORTANT :** Veuillez à ce que les articles placés dans le panier supérieur n'interfèrent pas avec le troisième panier (certains modèles) lors du chargement et du déchargement.



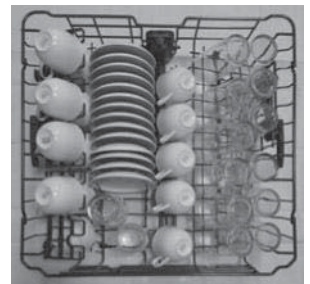
8 Couverts



16 Couverts. Modèles PBT700.

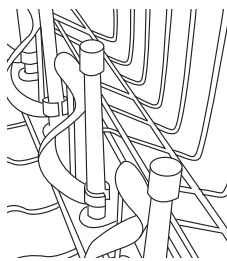


15 Couverts. Modèles GBT600.

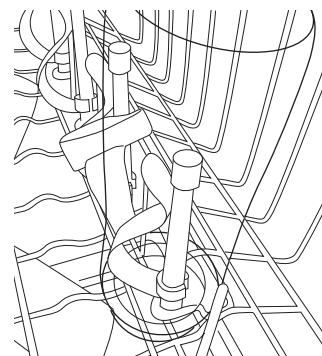
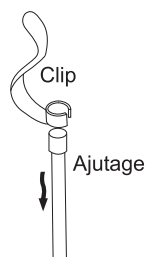


14 Couverts. Modèles GBT500.

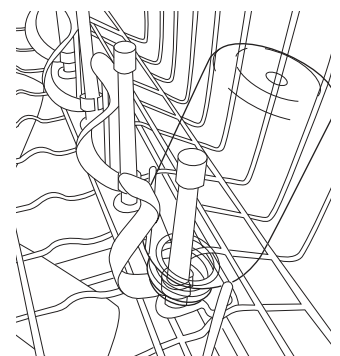
Le système  **Bottle Jets**  (Jets de Bouteilles) (certains modèles) est l'endroit idéal pour positionner les biberons, les grandes bouteilles de sport ou d'autres articles hauts avec des ouvertures étroites. Les clips  **Bottle Jets**  maintiennent en place les bouteilles dotées de petites ouvertures afin que les jets d'eau soient dirigés à l'intérieur des bouteilles pour nettoyer les zones difficiles à atteindre. Les clips peuvent être installés ou retirés en glissant simplement l'ouverture du clip sur le dessus de la ajutage.



Bottle Jets  
Jets de Bouteilles

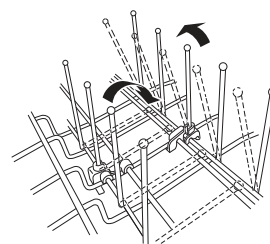


Bouteilles de sport maintenues en place sur un clip Bottle Jet.



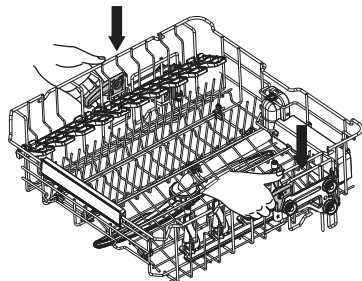
Biberon maintenu en place sous un clip Bottle Jet.

Les dents rabattables (sur certains modèles) offrent une grande flexibilité pour les articles extra-larges et difficiles à placer. Les rangées de dents peuvent être réglées en position verticale ou couchée.



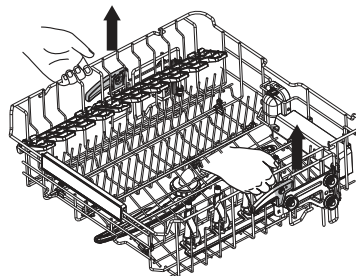
## Chargement

Réglez la hauteur du panier supérieur pour faire de la place aux objets plus grands. Vous pouvez régler la hauteur lorsque le panier est vide ou chargé. Si le panier est chargé, il est recommandé d'élever ou d'abaisser un côté à la fois. Les deux côtés du panier doivent être réglés à la même hauteur.



### Pour abaisser le panier

Tirez les leviers de chaque côté vers le haut pour les débloquer. Abaissez le panier jusqu'à la position souhaitée. Relâchez les leviers pour fixer le panier.



### Pour élever

Tirez le panier vers le haut jusqu'à ce qu'il s'enclenche.

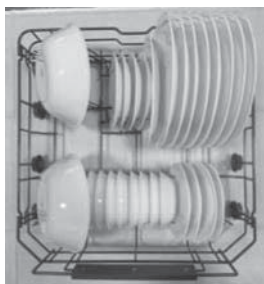
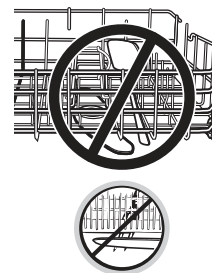
**ATTENTION** Un panier supérieur chargé peut être plus lourd que prévu. Pour éviter des blessures légères ou des dommages au contenu, ne pas soulever ou abaisser le panier supérieur une fois qu'il est chargé.

## Panier inférieur

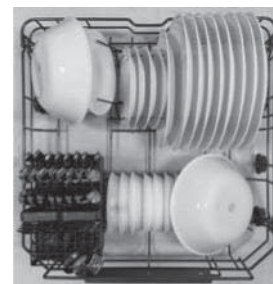
**Ne placez pas de grandes assiettes ou de gros plateaux dans le avant droit du panier inférieur.** Ils peuvent empêcher la distribution du détergent pendant le programme de lavage.

Le panier inférieur est conçu pour les assiettes, les soucoupes et les ustensiles de cuisson. Placez les articles plus gros sur les côtés. Placez les assiettes, les casseroles et les bols sur les côtés, dans les coins ou vers l'arrière du panier, la surface souillée orientée vers le centre du panier.

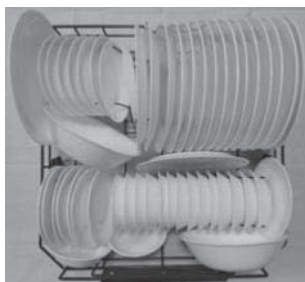
**IMPORTANT :** Assurez-vous que les articles ne dépassent pas du bas du panier ou du panier à couverts où ils bloqueraient la rotation du bras de gicleur inférieur. Cela pourrait entraîner du bruit pendant le fonctionnement et/ou de mauvaises performances de lavage.



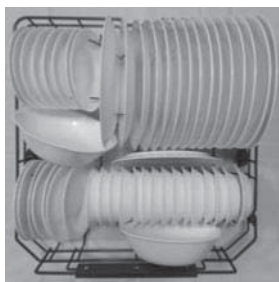
8 Couverts. Modèles PBT700.



8 Couverts. Modèles GBT600 et GBT500.



16 Couverts. Modèles PBT700.



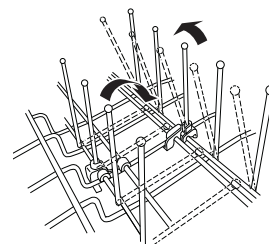
15 Couverts. Modèles GBT600.



14 Couverts. Modèles GBT500.

## Chargement

Les dents rabattables (sur certains modèles) offrent une flexibilité pour les articles de très grande taille et difficiles à loger. Les rangées de dents peuvent être ajustées en position verticale ou couchée.



### 3ième panier (certains modèles)

Le 3ième panier est l'emplacement recommandé pour les couverts et les grands ustensiles.

**⚠ ATTENTION** Soyez prudent lors du chargement, du déchargement ou du transport du plateau à couverts ou à ustensiles. Le plateau peut contenir des objets pointus ou lourds. Si des objets tombent du plateau ou si le plateau tombe, des blessures pourraient survenir.

#### NOTES IMPORTANTES :

- Ne laissez pas les couverts de matériaux différents se toucher dans le 3ième panier. Cela pourrait entraîner une décoloration des couverts.
- Le plateau est uniquement destiné à être utilisé avec un lave-vaisselle à 3ième panier pour contenir des couverts, des ustensiles de cuisine et d'autres petits objets. L'utilisation du plateau à d'autres fins pourrait endommager le plateau ou tout élément interagissant avec le plateau.
- Assurez-vous que le 3ième panier est complètement fermé avant de fermer la porte du lave-vaisselle. Fermer la porte avec le panier partiellement déployé pourrait endommager le lave-vaisselle.



8 Couverts. Modèles PBT700.

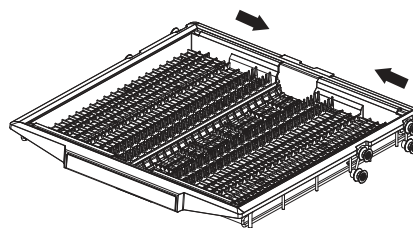


16 Couverts. Modèles PBT700.



15 Couverts. Modèles GBT600.

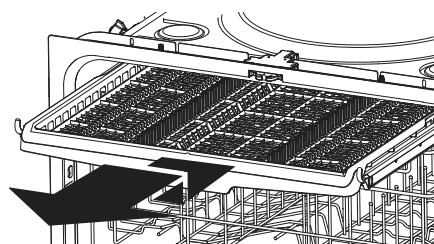
Vous pouvez faire glisser les sections latérales vers le milieu pour créer plus d'espace pour les articles ci-dessous.



Le 3ième panier est également amovible pour permettre de placer des articles très volumineux dans le panier supérieur :

#### Pour retirer le 3ième rack :

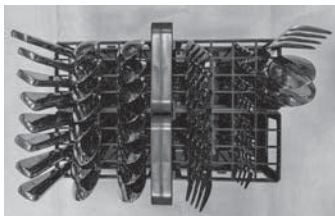
- 1 Avec le panier entièrement déployé, soulevez l'avant du panier de manière à ce que les roulettes du panier sortent du crochet de retenue.
- 2 Continuez à tirer sur le panier jusqu'à ce que les roulettes restantes du panier dégagent le crochet de retenue.
- 3 Remplacez le panier en place en alignant les roulettes du panier sur le crochet de retenue et les rails du panier. Assurez-vous que les rails sont situés entre deux rangées de roulettes.



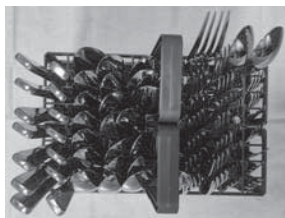
# Chargement

## Panier à couverts

Vous pouvez utiliser le panier à couverts sans topper pour accélérer le chargement. Avec le topper, les couverts sont mieux placés dans le lave-vaisselle pour améliorer le lavage et le séchage en empêchant les articles de s'entasser les uns contre les autres.



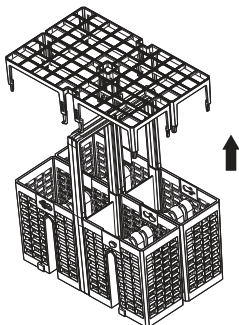
8 Couverts. Modèles GBT600 et GBT500.



14 Couverts. Modèle GBT500.

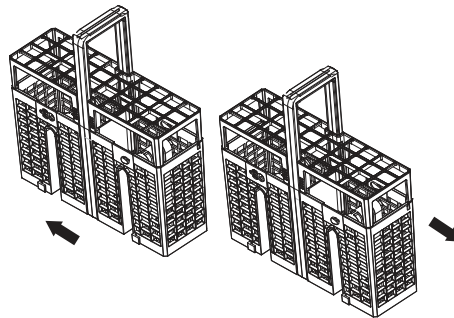
## Sans le topper

Placez les couverts dans le panier amovible, le manche des fourchettes et des couteaux vers le haut, afin d'éviter toute blessure aux mains. Placez les cuillères dans le panier, le manche vers le bas. Mélangez les couteaux, les fourchettes et les cuillères afin qu'ils ne s'entassent pas les uns contre les autres. Répartissez-les de façon uniforme. Placez les petits articles en plastique, comme les cuillères à mesurer et les couvercles de petits contenants, dans le fond du panier à couverts et ajoutez des articles par-dessus pour les immobiliser.



## Avec le topper

Placez les petits articles en plastique, comme les cuillères à mesurer et les couvercles de petits contenants, dans le fond du panier et installez le topper du panier en place. Insérez les cuillères et les fourchettes, le manche vers le bas, dans les orifices du topper. Placez les couteaux, le manche vers le haut, dans les orifices du topper.



**IMPORTANT** : Ne chargez pas d'ustensiles de grande ou de grande taille à un endroit où ils pourraient bloquer le distributeur de détergent ou le bras d'aspersion du supérieur. Cette situation pourrait causer du bruit pendant le fonctionnement et/ou un lavage de piètre qualité.

# Entretien et nettoyage

## Tableau de commande

Pour nettoyer le tableau de commande, utilisez un chiffon doux légèrement humide, puis asséchez-le.

## Panneau de la porte

Avant de nettoyer le panneau avant de la porte, vérifiez de quel type de panneau il s'agit. Vérifiez les deux dernières lettres de votre numéro de modèle. Vous trouverez le numéro de votre modèle sur la paroi gauche de la cuve, tout juste à l'intérieur de la porte. Si votre numéro de modèle se termine par les lettres BB, CC, WW, SA, SH, ES, DS, TS ou FS, votre appareil est doté d'un panneau de porte peint. Si votre numéro de modèle se termine par les lettres SS, votre appareil est doté d'un panneau de porte en acier inoxydable. Si le numéro de modèle de votre appareil se termine par II, vous avez un panneau de porte intégré.

Veillez suivre les directives ci-dessous pour nettoyer le panneau de porte de votre modèle.

**Panneau de porte peint** (numéro de modèle se terminant par BB-noir, CC-bisque, WW-blanc, SA-argent, SH-PRO acier, ES-ardoise, DS-ardoise noire, TS-acier inoxydable noir ou FS-acier inoxydable résistant aux empreintes digitales.)

Utilisez un chiffon doux et propre légèrement humide, puis séchez.

N'utilisez pas de tampon à récurer ou de poudre nettoyante, car ils peuvent rayer la surface.

**Panneau de porte en acier inoxydable** (numéro de modèle se terminant par SS)

**Pour faire disparaître la rouille, le ternissement et les petites imperfections**, utilisez des nettoyants à l'acide oxalique tels que Bar Keepers Friend Soft Cleanser™. Utilisez uniquement un nettoyant liquide exempt d'abrasif et frottez dans la direction des lignes de brosse à l'aide d'une éponge douce humide. N'utilisez pas de cire ou de produit à polir pour électroménagers sur l'acier inoxydable.

**Pour faire disparaître d'autres imperfections ou marques**, utilisez le nettoyant Stainless Steel Magic ou un produit similaire avec un linge doux humide. N'utilisez pas de cire pour électroménagers, d'agents polissants, de javellisants ni de produits chlorés sur l'acier inoxydable.

**Panneau de Porte Intégré** (numéros de modèle se terminant par II) Il s'agit d'un panneau de porte installé sur mesure et vous devez vous référer aux recommandations du fabricant de l'armoire pour un nettoyage approprié.

## L'intérieur du lave-vaisselle

Pour nettoyer et désodoriser votre lave-vaisselle, utilisez de l'acide citrique, ou le produit **Cascade® Platinum™**

**Dishwasher Cleaner** ou **Finish® Dishwasher Cleaner**, un additif détergent. Ils délogeront les dépôts minéraux et feront disparaître la pellicule et les taches d'eau dure.

Vous pouvez commander de l'acide citrique n° WG04A00103 au service des Pièces de GE Appliances au numéro 800.661.1616 ou sur le site

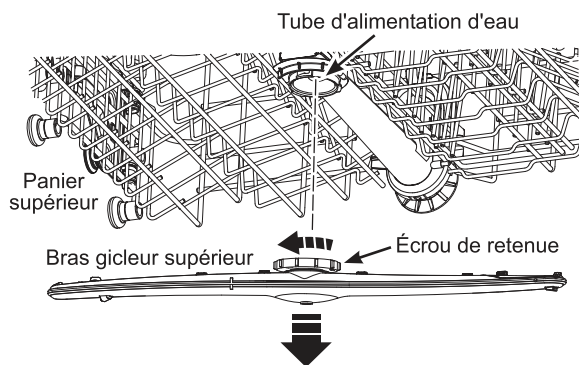
**GEApplianceparts.com**. Vous pouvez aussi acheter des nettoyants pour lave-vaisselle à votre épicerie locale.

## Bras gicleurs

Étant donné que les minéraux que contient une eau dure peuvent obstruer les orifices des bras gicleurs et les coussi-nets, il faut nettoyer régulièrement les bras gicleurs.

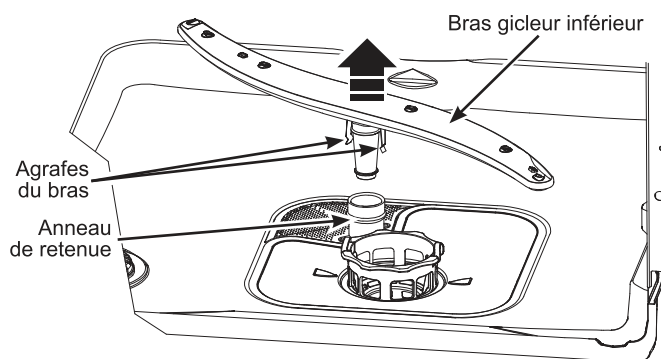
Lavez les bras gicleurs dans de l'eau chaude savonneuse et utilisez une brosse douce pour nettoyer les orifices. Après les avoir rincés à fond, remettez-les en place.

**Pour retirer le bras gicleur supérieur**, tournez l'écrou de retenue de 45° et tirez le bras gicleur hors du tube d'alimentation d'eau.



**IMPORTANT** : Lors de la remise en place, assurez-vous de tourner l'écrou de retenue fermement pour le verrouiller sur le tube d'alimentation d'eau. Assurez-vous que le bras gicleur est solidement fixé et qu'il pivote librement.

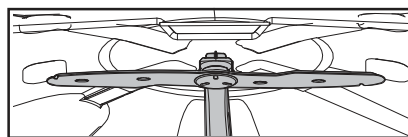
**Pour retirer le bras gicleur inférieur**, enlevez le panier inférieur et levez le bras gicleur vers l'extérieur.



**IMPORTANT** : Lors de la remise en place, assurez-vous de placer les agrafes du bras au-dessus de l'anneau de retenue. Assurez-vous que le bras gicleur est solidement fixé et qu'il pivote librement.

## Entretien et nettoyage

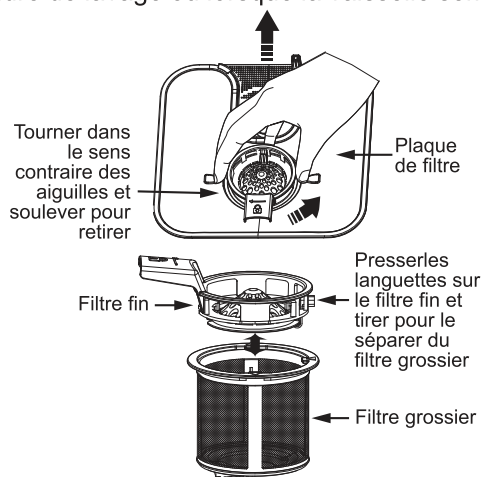
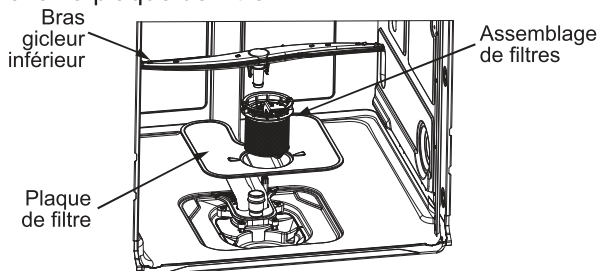
Ne retirez pas le bras du gicleur supérieur pour le nettoyer. Nettoyez-le avec une petite brosse à poils en plastique. Si c'est très sale ou bouché, utilisez un nettoyant/détartrant pour lave-vaisselle. Suivez les instructions du fabricant.



### Assemblage de filtre

Inspectez et nettoyez les filtres régulièrement. Il importe de le faire tous les mois ou plus souvent selon l'usage. Le besoin de nettoyer les filtres se remarque par une performance moindre de lavage ou lorsque la vaisselle semble rugueuse.

Pour nettoyer l'assemblage de filtre, retirez le panier inférieur et le bras gicleur inférieur. Tournez l'assemblage de filtre dans le sens antihoraire et le soulever pour le retirer. Enlever la plaque de filtre.



Rincez les filtres à l'eau chaude savonneuse. L'utilisation de tampons à récurer ou de brosses peut rayer le filtre. Utiliser une brosse douce ou une éponge pour enlever la saleté rebelle ou les dépôts de calcium laissés par l'eau dure.

Une fois nettoyés, remplacez la plaque de filtre, insérez l'assemblage de filtres à travers la plaque et tournez dans le sens des aiguilles jusqu'à verrouiller en place. Assurez-vous que les filtres sont insérés à fond car un remplacement incorrect des filtres peut réduire l'efficacité globale de l'appareil. Remplacez le bras gicleur inférieur et le panier inférieur.

**IMPORTANT :** Avant de replacer, assurez-vous qu'aucun objet n'est tombé dans l'orifice dans le fond du lave-vaisselle.



### Porte intérieure et cuve en acier inoxydable

L'acier inoxydable utilisé pour fabriquer la cuve et la porte intérieure du lave-vaisselle procure la plus haute fiabilité dans la gamme des lave-vaisselle GE Appliances.

Si la cuve et la porte intérieure du lave-vaisselle devaient être rayées ou ébréchées dans le cours d'un usage normal, elles ne rouilleront pas pour autant. Les dommages en surface n'affecteront pas leur fonction et leur durabilité.

## Entretien et nettoyage

### Protéger contre le gel

Si votre lave-vaisselle est laissé dans un endroit non chauffé pendant l'hiver, faites appel à un technicien de service pour :

- 1 Coupez l'alimentation électrique du lave-vaisselle. Retirez les fusibles ou déclenchez le disjoncteur.
- 2 Fermez l'alimentation en eau et débranchez le tuyau d'arrivée d'eau de la vanne.
- 3 Videz l'eau de la conduite d'arrivée d'eau et de la vanne. (Utilisez une casserole pour récupérer l'eau.)
- 4 Rebranchez le tuyau d'arrivée d'eau sur la vanne.

### Votre lave-vaisselle est-il équipé d'un clapet anti-retour ?

Un clapet anti-retour protège votre lave-vaisselle contre le refoulement d'eau en cas d'obstruction de l'évacuation. Le clapet anti-retour ne fait pas partie du lave-vaisselle. Il n'est pas couvert par votre garantie. Tous les codes de plomberie n'exigent pas de clapets anti-retour, vous pouvez donc ne pas en avoir.

Clapet anti-retour



Vérifiez le clapet anti-retour chaque fois que votre lave-vaisselle ne se vide pas correctement.

Le clapet anti-retour est facile à nettoyer.

- 1 Éteignez le lave-vaisselle et soulevez le couvercle du clapet anti-retour.
- 2 Retirez le bouchon en plastique sous le couvercle et nettoyez avec un cure-dent.
- 3 Remettez le bouchon et le couvercle en place une fois le clapet anti-retour nettoyé.

## Mode Réglages de l'Utilisateur

Vous pouvez ajuster l'un des réglages ci-dessous avant de commencer un cycle de lavage.

Pour les modèles **PBT700** et **GBT600** :

Appuyez sur les touches **Auto** et **Delay** et maintenez-les enfoncées pendant 3 secondes pour accéder au mode Réglages de l'Utilisateur. Appuyez sur la touche **Auto** pour sélectionner une option et sur la touche **Delay** pour sélectionner un paramètre d'affichage. Appuyez sur les touches **Start** ou **Auto** et maintenez-les enfoncées pendant 2 secondes pour quitter le mode de Réglage de l'Utilisateur. Le lave-vaisselle quitte automatiquement le mode de Réglage de l'Utilisateur si aucune opération n'est effectuée dans les 30 secondes.

OPTION	DESCRIPTION	DÉFAUT	AFFICHAGE DES RÉGLAGES			
<b>Rinse Aid</b> (Aide au Rinçage)	Contrôle la quantité de produit de rinçage distribuée. Pour plus de détails, reportez-vous à la section 'Distributeurs'.	rA5	Off	rA-	Max: 6	rA6
<b>Sound</b> (Son)	Règle les paramètres de tonalité. Lorsqu'il est réglé sur OFF, toutes les tonalités sont désactivées, à l'exception des alertes de défaillance.	bPo	On	bPo	Off	bP-
<b>Automatic Door Opening</b> (Ouverture automatique de la porte)	Active ou désactive l'ouverture automatique de la porte à la fin du cycle de lavage.	dOo	On	dOo	Off	dO-

Pour les modèles **GBT500** :

En mode hors tension, appuyez sur la touche **Cycle Select** (Sélection du Cycle) pendant 4 secondes pour accéder au mode de Réglage de l'Utilisateur. Appuyez sur la touche **Cycle Select** (Sélection du cycle) pour sélectionner une option et appuyez sur la touche **Wash Temp** (Température de Lavage) pour sélectionner le réglage de l'affichage. Appuyez sur la touche **Start** (Démarrer) et maintenez-la enfoncée pendant 2 secondes pour quitter le mode de réglage de l'utilisateur. Le lave-vaisselle quitte automatiquement le mode de réglage de l'utilisateur si aucune opération n'est effectuée dans les 30 secondes.

OPTION	DESCRIPTION	DÉFAUT	AFFICHAGE DES RÉGLAGES			
<b>Rinse Aid</b> (Aide au Rinçage)	Contrôle la quantité de produit de rinçage distribuée. Pour plus de détails, reportez-vous à la section 'Distributeurs'.	rA5	Off	rA-	Max: 6	rA6
<b>Sound</b> (Son)	Règle les paramètres de tonalité. Lorsqu'il est réglé sur OFF, toutes les tonalités sont désactivées, à l'exception des alertes de défaillance.	b1	On	b1	Off	b0
<b>Automatic Door Opening</b> (Ouverture automatique de la porte)	Active ou désactive l'ouverture automatique de la porte à la fin du cycle de lavage.	dOo	On	dOo	Off	dO-

## Conseils de dépannage...Avant d'appeler un réparateur

Problème	Causes possibles	Correctifs
Le voyant d'état Start clignote	La porte a été ouverte ou le cycle a été interrompu.	Appuyez sur le bouton <b>Start</b> une fois puis fermez la porte en moins de 4 secondes pour démarrer le lave-vaisselle. Appuyez une deuxième fois sur la touche <b>Start</b> bouton que le lave-vaisselle est en marche pour annuler le programme.
Le lave-vaisselle fait entendre un signal sonore (BIP) toutes les 90 secondes.	Ce signal vous rappelle que vous avez ouvert la porte du lave-vaisselle pendant le fonctionnement. Le signal se fera entendre jusqu'à ce que vous fermiez la porte et appuyez sur Start.	Appuyez sur <b>Start</b> et fermer la porte.
Un signal sonore se fait entendre à la fin du programme	Ce phénomène est normal. Le lave-vaisselle fait entendre signaux sonores à la fin du.	Un signal sonore se fait entendre (sauf interruption) et le voyant <b>Clean</b> s'allume à la fin du programme de lavage.
La vaisselle et les couverts ne sont pas propres	<b>Assemblage de filtre est obstrué</b>	Voir la section <b>ENTRETIEN ET NETTOYAGE</b> .
	La température de l'eau est trop basse	Assurez-vous que la température de l'eau qui alimente le lave-vaisselle est correcte (Voir la section <b>UTILISATION DU LAVE-VAISSELLE</b> ). Ouvrez le robinet d'eau chaude situé le plus près du lave-vaisselle, puis laissez couler l'eau jusqu'à ce que la température cesse de grimper. Mettez ensuite le lave-vaisselle en marche et fermez le robinet. Vous aurez ainsi la certitude que l'eau qui alimente le lave-vaisselle est chaude. Sélectionnez l'option <b>Wash Temp - Boost</b> .
	Faible pression d'eau temporaire	Ouvrez un robinet. Le débit d'eau est-il plus faible que d'habitude? Si tel est le cas, attendez que la pression revienne à la normale avant d'utiliser votre lave-vaisselle. La pression d'eau normale du lave-vaisselle doit se situer en 20 et 120 lb/po2.
	Coupure anti-refoulement ou broyeur à déchets obstrués (Modèles intégrés uniquement)	Nettoyez la coupure anti-refoulement ou rincez le broyeur à déchets.
	Boucle de drainage secondaires ou la coupure anti-refoulement n'est pas installé (Modèles intégrés uniquement)	Reportez-vous aux instructions d'installation pour l'installation du tuyau d'évacuation adéquat.
	Chargement incorrect des paniers	Assurez-vous que les articles de grande dimension ne bloquent pas le distributeur de détergent ou les bras gicleurs. Reportez-vous à la section <b>Chargement des paniers du lave-vaisselle</b> .
	Détergent donnant de mauvais résultats	Utilisez des détergents de haute qualité tels que <b>Cascade® Platinum™ ActionPacs™</b> ou <b>Finish® Quantum® Automatic Dishwashing Detergent</b> (détergent à vaisselle automatique).
Taches et pellicule sur les verres et les couverts	Eau extrêmement dure	Utilisez des agents de rinçage de haute qualité tels que l'agent de rinçage <b>Cascade® Platinum™ Power Dry™ Rinse Aid</b> ou <b>Finish® Jet-Dry® Rinse Aid</b> pour faire prévenir les taches et prévenir la formation d'une pellicule. Si l'eau est très dure, un adoucisseur peut s'avérer nécessaire.
	Basse température de l'eau	Assurez-vous que la température de l'eau atteint au moins 49 °C (120 °F).
	Le lave-vaisselle est mal ou trop chargé	Placez la vaisselle dans l'appareil de la façon indiquée à la section <b>Chargement des paniers du lave-vaisselle</b> .
	Le lave-vaisselle est ou humide	Utilisez du détergent frais. Utilisez des détergents de haute qualité tels que <b>Cascade® Platinum™ ActionPacs™</b> ou <b>Finish® Quantum® Automatic Dishwashing Detergent</b> (détergent à vaisselle automatique).
	Distributeur de produit de rinçage vide	Remplissez avec des agents de rinçage de haute qualité tels que l'agent de rinçage <b>Cascade® Platinum™ Power Dry™ Rinse Aid</b> ou <b>Finish® Jet-Dry® Rinse Aid</b> .
	Trop peu de détergent ou détergent donnant de mauvais résultats	Assurez-vous d'utiliser une quantité correcte de détergent reconnu.
Voile sur la verrerie	Combinaison d'une eau trop douce et de trop de détergent	Ceci est une « attaque chimique » et est irréversible. Pour éviter ce phénomène, utilisez moins de détergent si votre eau est douce. Lavez la verrerie sur le programme le plus court possible.
	Détergent sans phosphate peu efficace	Voir <b>Une pellicule blanche sur la verrerie, la vaisselle en et les surfaces internes</b> du lave-vaisselle en dans la section <b>Conseils de dépannage</b> .
	Température de l'eau entrant dans le lave-vaisselle est supérieure à 150°F (66°C)	Ceci pour être une « attaque chimique ». Abaissez la température de l'eau.

# Conseils de dépannage...Avant d'appeler un réparateur

Problème	Causes possibles	Correctifs
Mousse dans la cuve	Mauvais détergent	Utilisez uniquement des détergents pour lave-vaisselle automatiques de haute qualité pour éviter la formation de mousse. L'utilisation des <b>Cascade® Platinum™ ActionPacs™</b> ou <b>Finish® Quantum® Automatic Dishwashing Detergent</b> (détergent à vaisselle automatique) est approuvée dans tous les lave-vaisselles GE Appliances.
	Renversement de produit de rinçage	Essuyez immédiatement le produit de rinçage renversé.
Il reste du détergent dans les distributeurs	La vaisselle ou des ustensiles empêche l'accès au compartiment à détergent	Repositionnez la vaisselle afin que l'eau provenant du bras inférieur puisse atteindre le distributeur de détergent. Reportez-vous à la section <b>Chargement</b> . Repositionnez les ustensiles longs ou l'argenterie lourde susceptible de bloquer l'ouverture du couvercle du distributeur. Consultez la section <b>Chargement</b> .
Marques noires ou gris très sur la vaisselle	Frottement d'ustensiles en aluminium sur la vaisselle	Faites disparaître ces marques à l'aide d'un produit nettoyant abrasif doux.
La vaisselle ne sèche pas	Porte non fermée immédiatement après l'allumage du voyant Clean (propre)	Pour un séchage correct, il faut ouvrir la porte du lave-vaisselle immédiatement après l'allumage du voyant <b>Clean</b> .
	Basse température de l'eau	Assurez-vous que la température de l'eau qui alimente le lave-vaisselle atteint au moins 49 °C (120 °F). Sélectionnez les options <b>Wash Temp Boost</b> (Lavez boost temp). Sélectionnez un programme dont l'action de lavage est plus puissante, comme <b>Heavy</b> (Très sale).
	Le robinet d'eau chaude est peut-être fermé	Assurez-vous que le robinet d'eau chaude (habituellement situé sous l'évier) est ouvert.
Commande a réagi aux entrées, mais le lave-vaisselle ne s'est jamais rempli d'eau	La porte n'est peut-être pas totalement fermée.	Assurez-vous que la porte soit bien fermée.
	Le robinet d'eau est peut-être fermé	Assurez-vous que le robinet d'eau (normalement sous l'évier) soit ouvert.
Taches à l'intérieur de la cuve	La présence d'une pellicule jaune ou brun tre peut être causée par des dépôts de fer dans l'eau	Le seul moyen de corriger ce problème consiste à installer un filtre spécial sur la conduite d'eau. Veuillez communiquer avec un fournisseur d'adoucisseurs d'eau.
	Pellicule blanche sur les surfaces internes – dépôts de minéraux causés par l'eau dure	GE Appliances recommande des agents de rinçage de haute qualité tels que l'agent de rinçage <b>Cascade® Platinum™ Power Dry™ Rinse Aid</b> ou <b>Finish® Jet-Dry® Rinse Aid</b> pour empêcher la formation de dépôts de minéraux causés par l'eau dure. Faites fonctionner le lave-vaisselle en y versant de l'acide citrique pour enlever les dépôts de minéraux. Vous pouvez acheter ce produit au service des pièces de GE Appliances (n° de pièce WD35X151). Pour obtenir les renseignements pour commander, reportez-vous à la dernière page. Sinon, achetez <b>Cascade® Platinum™ Dishwasher Cleaner</b> ou <b>Finish® Dishwasher Cleaner</b> et suivez les instructions sur l'étiquette.
Le lave-vaisselle ne fonctionne pas	Un fusible est grillé ou le disjoncteur est déclenché	Remplacez le fusible ou réenclenchez le disjoncteur. Débranchez tous les autres électroménagers du circuit.
	L'alimentation électrique est coupée	Dans certaines installations, l'alimentation électrique du lave-vaisselle est commandée par un interrupteur mural, souvent placé à côté de l'interrupteur du broyeur à déchets. Assurez-vous que l'interrupteur est à Marche.
	Les commandes sont verrouillées	Déverrouillez les commandes. Voir la section <b>Pour démarrer</b> .
	Réinitialisez les commandes de l'appareil.	Coupez l'alimentation électrique au (en déclenchant le disjoncteur ou en actionnant l'interrupteur mural) pendant 30 secondes, puis rétablissez l'alimentation électrique.
Les voyants du tableau de commande s'éteignent lorsque vous réglez les commandes	Délai trop long entre les choix des touches	Vous avez un délai de 30 secondes pour appuyer sur chaque touche. Pour allumer à nouveau le tableau de commande, appuyez sur une touche ou déverrouillez, puis verrouillez la porte.
Il reste de l'eau propre au fond de la cuve	La coupure anti-refoulement est obstruée.	Nettoyez la coupure anti-refoulement. Voir la section <b>Entretien et nettoyage</b> .
	Boucle de drainage secondaires ou la coupure anti-refoulement n'est pas installé	Reportez-vous aux instructions d'installation pour l'installation du tuyau d'évacuation adéquat.

## Conseils de dépannage...Avant d'appeler un réparateur

Problème	Causes possibles	Correctifs
Il reste de l'eau au fond de la cuve	Le renvoi est bloqué	Si vous avez une coupure anti-refoulement, nettoyez-la. Voir la section <b>Entretien et nettoyage</b> . (Modèles intégrés uniquement) Si l'eau du lave-vaisselle se vide dans un broyeur à déchets, faites fonctionner le broyeur pour le dégager. Vérifiez si l'évier de votre cuisine se vide correctement. S'il ne se vide pas, vous aurez peut-être besoin d'un plombier.
Le voyant SANITIZED ne s'allume pas à la fin du programme	Vous avez ouvert la porte et le programme a été interrompu pendant ou après le cycle de lavage principal	Il ne faut pas interrompre le programme pendant ou après le cycle de lavage principal.
	La température de l'eau qui alimente le lave-vaisselle est trop basse	Augmentez le réglage du chauffe-eau pour que la température de l'eau varie entre 49 °C (120 °F) et 66°C (150 °F).
Bruit	<b>Bruits de fonctionnement normaux:</b> Bip à la fin du cycle Ouverture du distributeur de détergent Entrée de l'eau dans le lave-vaisselle Arrêt et mise en marche du moteur à différents moments pendant le programme Les bras gicleurs démarrent et s'arrêtent à différents moments. Bruit de la pompe pendant la vidange de l'eau La pompe de vidange démarre et s'arrête à différents moments.	Tous ces bruits sont normaux. Aucun correctif n'est requis.
	<b>Bruit causé par la vaisselle lorsque le bras gicleur tourne</b>	Assurez-vous que les articles sont bien placés dans les paniers. Reportez-vous à la section <b>Chargement</b> .
	<b>Les ustensiles frottent bruyamment contre la porte pendant le lavage.</b>	Les ustensiles de grande taille peuvent être placés dans le panier supérieur pour éviter qu'ils percutent contre la porte intérieure durant le cycle de lavage.
Une pellicule blanche sur la verrerie, la vaisselle et les surfaces internes du lave-vaisselle	<b>Ce problème est probablement par une qualité détergent lave-vaisselle sans phosphate bas</b>	Pour éliminer cette pellicule blanche, faites fonctionner votre lave-vaisselle avec de l'acide citrique. Utilisez la trousse d'acide citrique n° <b>WG04A00103</b> disponible dans votre magasin le plus proche ou en ligne. Sinon, utilisez des agents de rinçage de haute qualité tels que le nettoyant pour lave-vaisselle <b>Cascade® Platinum™ Dishwasher Cleaner</b> ou <b>Finish® Dishwasher Cleaner</b> trouvé à votre épicerie locale. Versez l'acide citrique dans le compartiment à détergent et fermez le couvercle. Placez dans le lave-vaisselle, la verrerie et la vaisselle propres mais recouvertes de la pellicule blanche. Ne mettez pas l'argenterie et les autres articles métalliques dans le lave-vaisselle. Faites fonctionner le lave-vaisselle sans détergent. La verrerie, la vaisselle et les surfaces intérieures du lave-vaisselle devraient ressortir propres. Un rinçage au vinaigre peut également être utilisé. Versez 1 tasse de vinaigre dans le lave-vaisselle après ouverture du compartiment à détergent et laissez le lave-vaisselle terminer le programme. L'utilisation d'agents de rinçage de haute qualité tels que l'agent de rinçage <b>Cascade® Platinum™ Power Dry™ Rinse Aid</b> ou <b>Finish® Jet-Dry® Rinse Aid</b> peut aider à minimiser la formation de cette pellicule. De plus, l'utilisation de détergents de haute qualité tels que <b>Cascade® Platinum™ ActionPacs™</b> ou <b>Finish® Quantum® Automatic Dishwashing Detergent</b> (détergent à vaisselle automatique) qui peut éviter la formation de cette pellicule.

### Vous avez oublié d'ajouter un article?

D'autres articles peuvent être ajoutés au lave-vaisselle en tout temps, idéalement peu de temps après le démarrage du cycle de lavage.

- 1 Ouvrez la porte pour interrompre le cycle. Tirez sur la poignée de la porte pour l'ouvrir.
- 2 N'ouvrez pas la porte jusqu'au bout tant que l'action de pulvérisation de l'eau n'a pas cessé. Il est possible que de la vapeur s'échappe du lave-vaisselle.
- 3 Ajoutez d'autres articles.
- 4 Appuyez sur **Start** et fermez la porte en moins de 4 secondes pour continuer le cycle.

## Notes

---



# Soutien au Consommateur

Marque	Contact	Service
GE Appliances/ Profile	<a href="https://geappliances.ca/contact-us">geappliances.ca/contact-us</a> ou 877.994.5366	<a href="https://geappliances.ca/after-sales-support">geappliances.ca/after-sales-support</a> ou 800.561.3344

## Connectivité à distance

Pour obtenir de l'aide sur la connectivité au réseau sans fil (pour les modèles avec activation à distance), aux États-Unis, visitez notre site Web à [GEAppliances.com/connect](https://GEAppliances.com/connect) ou appelez le 800.220.6899.

Au Canada : [GEAppliances.ca/connected-appliances](https://GEAppliances.ca/connected-appliances) ou appelez le 800.220.6899.

## Communiquez avec nous

Au Canada : Director, Customer Relations | MC COMMERCIAL Inc. | 1100 Burloak Dr, Suite 601 | Burlington, ON L7L 6B2

[electromenagersge.ca/contactez-nous](https://electromenagersge.ca/contactez-nous) ou composer le 877.994.5366

# Garantie limitée du lave-vaisselle (uniquement pour le Canada)

Tous les services de garantie sont fournis par nos centres de service d'usine ou par un technicien autorisé de Customer Care®. Pour planifier un service en ligne, visitez [geappliances.ca/after-sales-support](http://geappliances.ca/after-sales-support) ou appelez GE Appliances au 800.GE.CARES (800.561.3344).

Veuillez fournir le numéro de série et le numéro de modèle lorsque vous appelez pour obtenir le service.

Pour le diagnostic, la réparation de votre appareil peut nécessiter l'utilisation du port de données embarqué. Celui-ci permet au technicien de réparation GE Appliances de diagnostiquer rapidement des problèmes avec votre appareil. Il permet également à GE Appliances d'améliorer ses produits en fournissant à ces derniers des informations sur votre appareil. Si vous ne voulez pas que les données de votre appareil soient envoyées à GE Appliances, veuillez demander à votre technicien de NE PAS soumettre les données à GE Appliances pendant la réparation.

<b>Pendant la période de :</b>	<b>Nous remplacerons :</b>
<b>Un an</b> À compter de la date d'achat d'origine	<b>Toute pièce</b> du lave-vaisselle défectueuse en raison d'un vice de matériau ou de fabrication. Au cours de cette <b>garantie limitée d'un an</b> , nous fournirons également, <b>sans frais</b> , les pièces et la main-d'oeuvre pour remplacer la pièce défectueuse.

## Ce qui n'est pas couvert :

- Toute visite à votre domicile pour vous expliquer le fonctionnement de l'appareil.
- L'installation, la livraison ou l'entretien inadéquats de l'appareil.
- Toute défectuosité du produit attribuable à une utilisation abusive ou inadéquate, s'il a été utilisé à toute autre fin que celle pour laquelle il a été conçu, ou s'il a été utilisé à des fins commerciales.
- Le remplacement des fusibles ou le réenclenchement des disjoncteurs de votre domicile.
- Les produits qui ne sont pas défectueux ou brisés, ou qui fonctionnent tel que décrit dans le Manuel de l'utilisateur.
- Tout dommage au produit attribuable à un accident, un incendie, une inondation ou une catastrophe naturelle.
- Tout dommage accessoire ou indirect, causé par des défaillances possibles de l'appareil.
- Les défectuosités ou les dommages causés par une utilisation de l'appareil à des températures situées sous le point de congélation.
- Dommages causés après la livraison, y compris les dommages causés par des objets tombés sur la porte.
- Tout produit auquel il n'est pas possible d'accéder pour effectuer les réparations nécessaires.
- Tout nettoyage ou entretien de l'appareil d'écart anti-retour dans la conduite d'écoulement d'eau.

### EXCLUSION DES GARANTIES IMPLICITES :

Votre seul et unique recours est de faire réparer le produit dans le cadre de cette garantie limitée. Toute garantie implicite, incluant la garantie de qualité marchande ou d'adaptabilité du produit à un usage particulier, est limitée à un an ou à la période la plus courte autorisée par la loi.

### Au Canada (incluant la province de Québec) :

Cette garantie limitée s'étend à l'acheteur initial et à tous les propriétaires ultérieurs pour les produits achetés au Canada, y compris au Québec, et qui sont destinés à un usage domestique au Canada, y compris au Québec. Toutefois, si le produit se trouve dans une région où un réparateur agréé GE Appliances n'est pas disponible, vous pourriez être tenu de payer des frais de déplacement ou de vous rendre dans un centre de service agréé GE Appliances.

Certains territoires, comme le Québec, interdisent l'exclusion ou la restriction des dommages collatéraux ou indirects. Cette garantie limitée vous confère des droits légaux spécifiques; vous pouvez également bénéficier d'autres droits qui varient d'une province à l'autre, y compris au Québec. Pour en savoir plus sur vos droits légaux, adressez-vous à votre bureau régional ou provincial de protection des consommateurs.

### À l'intention des consommateurs québécois uniquement - Avis sur la garantie de disponibilité des pièces de rechange, des services de réparation et des renseignements nécessaires à la réparation ou à l'entretien (art. 39 de la Loi sur la protection du consommateur):

Veuillez noter que MC Commercial Inc. (« MC Commercial ») ne garrantit pas, au sens de l'article 39 de la Loi sur la protection du consommateur, RLRQ, C. P-40.1, et des articles 79.18 à 79.20 du Règlement d'application de la Loi sur la protection du consommateur, RLRQ, c. P -40.1, r. 3, la disponibilité de ces de rechange, des services de réparation ou des renseignements nécessaires à l'entretien ou à la réparation des biens fabriqués, importés, annoncés ou vendus par MC Commercial.

Veuillez noter que MC Commercial Inc. continue d'offrir la garantie limitée du fabricant, telle qu'énoncée dans le manuel du propriétaire ou le guide rapide. Cette garantie limitée diffère la garantie légale de disponibilité énoncée à l'article 39 de la Loi sur la protection du consommateur

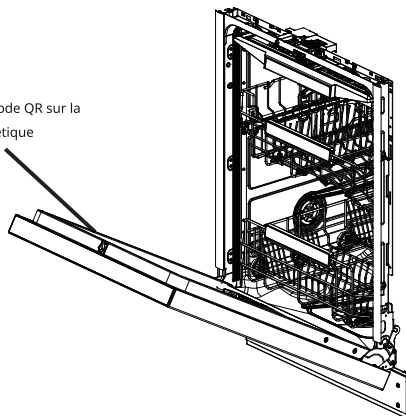
Garant : MC Commercial Inc., Burlington, ON, L7L 6B2

# Instructions d'installation

## Lave-vaisselle encastré

Pour obtenir les dernières informations, scannez le code QR sur la plaque signalétique située sur la porte intérieure. côté.

Numérisez le code QR sur la plaque signalétique



### AVANT DE COMMENCER

Lisez attentivement et en entier ces instructions.

#### **AVERTISSEMENT**

- Pour réduire le risque de décharge électrique, d'incendie ou de blessures corporelles, l'installateur doit s'assurer que le lave-vaisselle est complètement fermé au moment de l'installation.
- **POUR VOTRE SÉCURITÉ PERSONNELLE** : Retirez le fusible de la maison ou ouvrez le disjoncteur avant de commencer l'installation. Une mauvaise connexion du conducteur de mise à la terre de Ne pas utiliser une rallonge ou une prise d'adaptateur avec cet appareil.
- Une mauvaise connexion du conducteur de mise à la terre de l'équipement peut entraîner un risque de choc électrique. Consultez un électricien qualifié ou un représentant du service si vous avez des doutes quant à la mise à la terre correcte de l'appareil.
- Si le câblage de la maison n'est pas composé de deux fils avec mise à la terre, l'installateur doit en fournir un. Si le câblage de votre maison est en aluminium, assurez-vous d'utiliser un composé antioxydant. Connecteurs approuvés en T et en aluminium à cuivre UL.
- Pour réduire le risque de décharge électrique, d'incendie ou de blessures corporelles, l'installateur doit vérifier que les câbles ne sont pas perforés ou endommagés, qu'il soit relié au support de la boîte de jonction par un serre-câble et que toutes les connexions électriques effectuées lors de l'installation (écrous de fils) sont contenues dans le boîtier.

#### **PRUDENCE**

Ne retirez pas la base en bois avant d'être prêt à l'installer. Le lave-vaisselle basculera lorsque la porte sera ouverte si la base est retirée.

Lors de la réalisation des installations décrites dans cette brochure, il est obligatoire de porter des gants, des lunettes de sécurité ou des lunettes de protection.

### ACCESSOIRE DU PANNEAU AVANT

Les modèles de panneaux avant personnalisés incluent une trousse contenant un gabarit, du matériel et des instructions d'installation du panneau. Voir les instructions du kit lors de l'installation du panneau personnalisé.

Si vous avez besoin d'un ensemble de matériel personnalisé et d'un gabarit de montage de panneau, avant la livraison du lave-vaisselle, commande : WG04A04333

### POUR VOTRE SÉCURITÉ

Lisez et respectez tous les **AVERTISSEMENTS** et **MISES EN GARDE** indiqués dans ces instructions.

**IMPORTANT** - Respectez tous les codes et ordonnances applicables.

- Note à l'intention de l'installateur - Assurez-vous de laisser ces instructions à la disposition du consommateur et de l'inspecteur local
- Note au consommateur - Conservez ces instructions avec le manuel d'utilisation pour référence ultérieure.
- Niveau de compétence - L'installation de ce lave-vaisselle nécessite des connaissances et composants de base en mécanique, électricité et plomberie.

**L'installation est aux frais de l'installateur. La garantie des appareils GE ne couvre pas les défaillances du produit dues à une installation incorrecte. Voir les renseignements sur la garantie.**

- Durée de réalisation : 1 à 3 heures. Les nouvelles installations nécessitent dans des installations plus longues que celles de remplacement.

**IMPORTANT** - Le lave-vaisselle DOIT être installé de manière à pouvoir être retiré plus tard de l'enceinte si un entretien est nécessaire.

Des précautions doivent être prises lors de l'installation ou du retrait de l'appareil afin de réduire le risque d'endommager le cordon d'alimentation.

Si vous avez reçu un lave-vaisselle endommagé, vous devez immédiatement contacter votre détaillant ou le fabricant.

Accessoires optionnels : consultez le manuel du propriétaire pour les trusses de panneaux personnalisés disponibles. Votre lave-vaisselle est un appareil qui chauffe l'eau.

**NOTE** : Envisagez des options de recyclage pour le matériau d'emballage de votre appareil

**LISEZ ATTENTIVEMENT  
CONSERVEZ CES INSTRUCTIONS**

# Préparation de l'installation

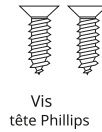
## PIÈCES FOURNIES EN

### ENSEMBLE D'INSTALLATION :

- Support de tuyau de vidange
- Vis à tête cruciforme pour fixer le lave-vaisselle au bas du comptoir ou des armoires latérales Documentation, échantillons et/ou coupons-rabais
- Pincettes à bouteilles (4)
- Pièces isolantes
- Supports de montage (2)



Support à  
Tuyau de vidange



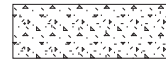
Vis  
tête Phillips



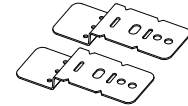
Littérature



Clips de bouteille  
(sur certains modèles)



Morceaux de  
isolement



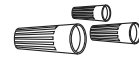
Supports de montage

### MATÉRIEL DONT VOUS AUREZ BESOIN :

- Écrous de câble (3)
- Ruban d'étanchéité pour filetage
- Coude à 90° (filetage interne du tuyau 3/4" à une extrémité, extrémité opposée dimensionnée pour s'adapter à l'alimentation en eau)

Matériaux pour les nouvelles installations seulement :

- Espace d'air pour le tuyau de vidange, si nécessaire
- T de déchets pour la plomberie résidentielle, le cas échéant
- Cordon d'alimentation ou ensemble de cordon d'alimentation
- WG04F04614 Collier(s) de serrage à vis
- Décharge de traction pour branchement électrique
- Soupape d'arrêt manuelle (recommandée)
- Conduite d'eau chaude : tube en cuivre d'au moins 3/8 po (comprend une virole et un écrou de compression)
- Tuyau de vidange



Écrous de câble (3)



Ruban d'étanchéité  
de fils



Collier(s) de serrage



Espace aérien



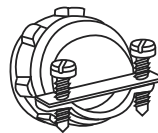
T-shirt  
déchets



Fil électrique  
(ou cordon d'alimentation, le cas échéant)



coude à 90°



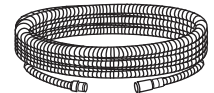
Soulagement du  
stress



Valve de  
fermeture  
manuelle



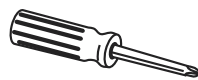
Conduite d'eau chaude,  
virole et écrou



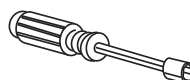
Tuyau de vidange

### OUTILS DONT VOUS AUREZ BESOIN :

- Tournevis cruciforme
- Clé à écrou 1/4" et 5/16"
- Clé à molette de 6 pouces
- Gants
- Lunettes de sécurité
- Lampe de poche
- Seau pour recueillir l'eau lors du lavage de la ligne
- Niveau
- Cotation métrique
- Escadron'et charpentier



Tournevis  
tête Phillips



Tourne-écrou  
1/4 po et 5/16 po



Clé  
6 po réglable



Gants



Lunettes de sécurité



Lampe de  
poche



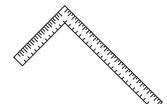
Seau



Niveau



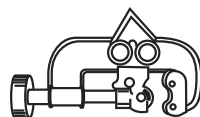
Mètre à ruban



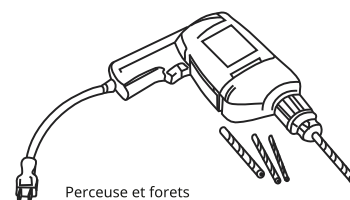
Équipe  
Menuisier

### Pour les nouvelles installations seulement :

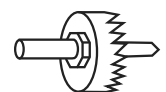
- Coupe-tube
- Perceuse et forets
- Ensemble de scies-cloches



Coupe-tube



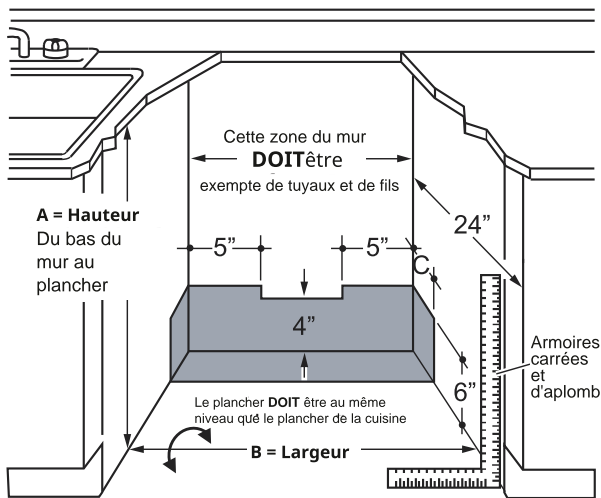
Perceuse et forets



Ensemble de scies-cloches

# Préparation de l'installation

## PRÉPARER L'ENCEINTE DU LAVE-VAISSELLE



Les services de plomberie et d'électricité DOIVENT entrer dans la zone ombragée

A	B	C
33-3/4" min.-34-3/4" max.	24"	3"

### AVERTISSEMENT

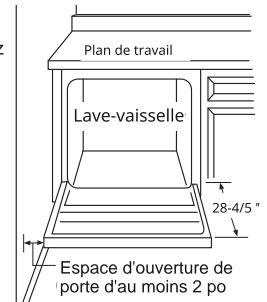
Afin de réduire le risque de décharge électrique, d'incendie ou de blessures corporelles, l'installateur doit s'assurer que le lave-vaisselle est complètement fermé au moment de l'installation.

- Le lave-vaisselle doit être installé de manière à ce que le tuyau de vidange ne dépasse pas 12 pieds de long pour un drainage adéquat.
- Le lave-vaisselle doit être complètement fermé sur le dessus, les côtés et l'arrière, et ne doit pas reposer sur aucune partie de l'enceinte

### DISTANCES :

- Lors de l'installation dans un coin, prévoyez un espace libre d'au moins 2 po entre le lave-vaisselle et l'armoire, le mur ou d'autres appareils adjacents.

Prévoyez un espace libre de 28-4/5" minimum à l'avant du lave-vaisselle pour ouvrir la porte.



## EXIGENCES DE DRAINAGE

- Respectez les codes et ordonnances locaux.
- Ne pas dépasser 12 mètres de distance par rapport au drain.
- La hauteur du raccord du drain ne doit pas dépasser 72 pieds au-dessus du fond du lave-vaisselle.

**REMARQUE :** Un espace d'air doit être utilisé si le té de déchets ou le raccordement du broyeur est à moins de 18 pieds (4,5 m) du sol pour éviter les fuites.

### DÉTERMINER LA MÉTHODE DE DRAINAGE

Le type d'installation de drainage dépend des questions suivantes

Les codes ou ordonnances locaux exigent-ils un espace d'air ?

Le drain T est-il à moins de 18 pieds (4,8 m) du sol ?

**Si la réponse à l'une des questions est OUI, la méthode 1 DOIT être utilisée.**

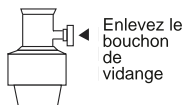
- Si la réponse est NON, n'importe laquelle des méthodes peut être utilisée.

### PRÉPARATION DE L'ARMOIRE

- Percez un trou de 1-1/2" de diamètre dans la paroi de l'armoire, dans les zones ombrées indiquées dans la section **PRÉPARATION DU LAVE-VAISSELLE**, pour le raccordement du tuyau de vidange. Le trou doit être lisse et exempt d'arêtes vives.

### IMPORTANT

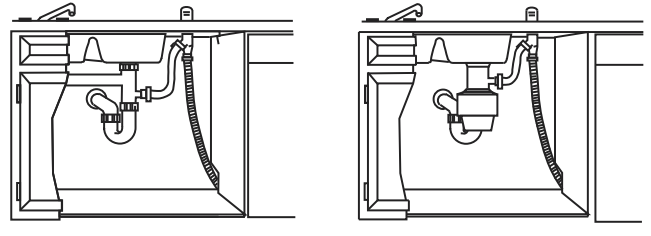
Lors du raccordement de la conduite de vidange à l'élimination, vérifiez que le bouchon de vidange a été retiré.



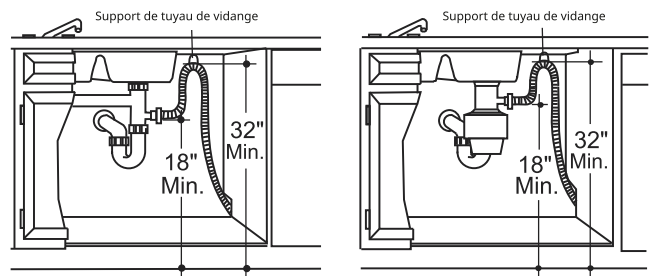
L'eau ne se videra pas si les bouchons sont laissés en place.

### Méthode 1 : Entrefer avec té de vidange ou broyeur

Un espace d'air doit être utilisé lorsque les codes et ordonnances locaux l'exigent. L'entrefer doit être installé conformément aux instructions du fabricant.



### Méthode 2 : « Boucle de drainage élevée » avec té de déchets ou élimination



### Conseil : évitez les frais inutiles pour les appels de service.

Assurez-vous toujours que le bouchon de vidange est retiré avant de brancher le tuyau de vidange du lave-vaisselle à l'élimination.

# Préparation de l'installation

## PRÉPARER LE CÂBLAGE ÉLECTRIQUE

### ⚠ AVERTISSEMENT

Débranchez toute l'alimentation électrique au disjoncteur ou à la boîte à fusibles avant de commencer l'installation. Le non-respect de cette consigne peut entraîner une décharge électrique.

### EXIGENCES ÉLECTRIQUES

Assurez-vous que la connexion électrique et la taille du fil sont adéquates et conformes au Code national de l'électricité ANSI/NFPA 70 dernière édition, et à tous les codes ou ordonnances locaux.

#### Cet appareil doit avoir :

Alimentation 120 V, 60 Hz, CA seulement, 15 A ou 20 A, avec fusible.

- Le câblage doit être à 2 fils avec mise à la terre et conçu pour une température de 75 °C (167 °F)
- Si l'alimentation électrique ne répond pas aux exigences ci-dessus, appelez un électricien autorisé avant de continuer.

#### Il est recommandé d'avoir :

- Un disjoncteur ou un fusible temporisé.
- Un circuit de dérivation individuel correctement mis à la terre.

#### Instructions de mise à la terre : connexion permanente

Cet appareil doit être connecté à un système de câblage métallique permanent mis à la terre, ou un conducteur de mise à la terre de l'équipement doit être acheminé avec les conducteurs du circuit et connecté à la borne ou au fil de mise à la terre de l'équipement sur l'appareil.

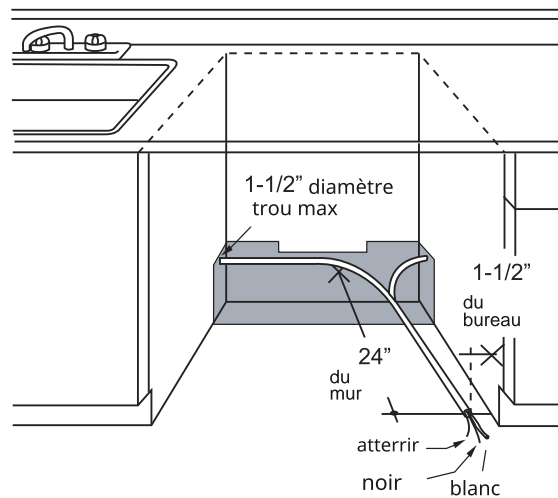
#### Instructions de mise à la terre : modèles avec cordon d'alimentation

Cet appareil doit être mis à la terre. En cas de mauvais fonctionnement ou de panne, la mise à la terre réduira le risque de choc électrique en fournissant un chemin de moindre résistance au courant électrique. Cet appareil est équipé d'un cordon muni d'un conducteur de mise à la terre. La fiche doit être branchée sur une prise appropriée qui est installée et mise à la terre conformément à tous les codes et ordonnances locaux.

### ⚠ AVERTISSEMENT

Une mauvaise connexion du conducteur de mise à la terre de l'équipement peut entraîner un risque de choc électrique. Consultez un électricien qualifié ou un représentant du service si vous avez des doutes quant à la mise à la terre correcte de l'appareil. Ne pas modifier la fiche fournie avec l'appareil.

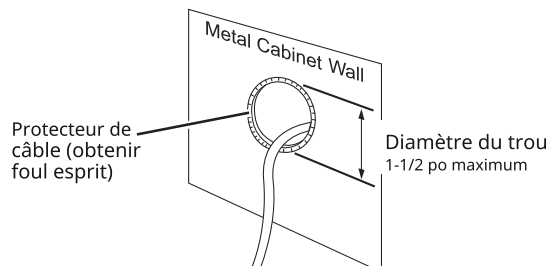
Si elle ne correspond pas à la prise, faites installer une prise appropriée par un technicien qualifié.



#### Préparation des armoires et acheminement des câbles

- Le câblage peut entrer dans l'ouverture de n'importe quel côté, l'arrière ou le sol dans la zone ombrée illustrée ci-dessus dans la figure et tel que défini dans la section **PRÉPARER L'ENCEINTE DU LAVE-VAISSELLE**.
- Coupez un trou d'un diamètre maximal de 3,8 cm (1-1/2") pour permettre le passage du câble électrique. Les bords du trou doivent être lisses et arrondis. Les connexions électriques permanentes peuvent être acheminées par le même trou que le tuyau d'évacuation et la conduite d'eau chaude, si c'est possible. Si la paroi de l'armoire est métallique, le bord du trou doit être recouvert d'une douille.

**NOTE :** Les cordons d'alimentation avec fiches doivent passer par un trou séparé dans l'armoire.



#### Branchement électrique du lave-vaisselle

Le branchement électrique est situé du côté avant droit.

- Pour des connexions permanentes, le câble doit être acheminé tel qu'illustré sur la figure. Le câble doit s'étendre sur au moins 24 pouces du mur arrière.
- Pour les connexions du cordon d'alimentation, installez une prise à 3 broches mise à la terre sur la paroi arrière de l'armoire de l'évier, à 6 po minimum ou 18 po maximum de l'ouverture et au-dessus du sol.
- Utilisez seulement le kit de cordon d'alimentation pour lave-vaisselle WG04F04614. N'utilisez pas de rallonge ni d'adaptateur avec ce produit.

## Préparation de l'installation

### NOTE :

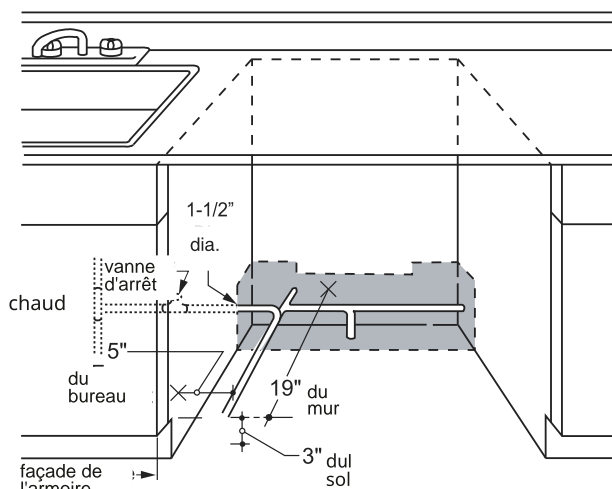
Les bords de l'ouverture entre les compartiments doivent être lisses et arrondis si la cloison est en bois ou, si la cloison est en métal, recouverts d'un protège-arête.

### PRÉPARER LE TUYAU D'EAU CHAUDE

**NOTE :** GE Appliances recommande d'utiliser des tubes en cuivre pour la conduite d'eau, mais si vous choisissez d'utiliser un tuyau flexible, utilisez un tuyau tressé flexible.

- La conduite d'alimentation en eau (tube en cuivre de 3/8 po ou flexible) peut entrer de chaque côté ou à travers le sol dans la zone ombragée indiquée sur la figure.
- La conduite d'eau peut passer par le même trou que le câble électrique et le tuyau d'évacuation. Ou, découpez un trou supplémentaire de 1-1/2" de diamètre pour accueillir la conduite d'eau.

Si un cordon d'alimentation enfichable est utilisé, la conduite d'eau ne doit pas passer par le trou du cordon d'alimentation.



### RACCORDEMENT DE LA CONDUITE D'EAU

- Si vous utilisez un tuyau d'alimentation flexible tressé, étiquetez-le avec la date d'installation pour référence.

Les tuyaux flexibles tressés, les coudes et les joints doivent être remplacés tous les 5 ans.

- Fermez l'arrivée d'eau.
- Installer une vanne d'arrêt manuelle dans un endroit accessible, comme sous l'évier (facultatif mais fortement recommandé)
- Le raccordement à l'eau est situé du côté gauche du lave-vaisselle. Installez la conduite d'arrivée d'eau chaude à l'aide d'un tuyau en cuivre d'au moins 3/8 po ou d'un boyau tressé. Positionnez la conduite comme indiqué dans la section **EAU CHAUDE** et prolongez-la d'au moins 19 po vers l'avant à partir du mur arrière.
- Réglez le chauffe-eau à une température de 120 °F à 140 °F
- Rincez la conduite d'eau pour enlever les débris.
- La pression d'alimentation en eau chaude doit se situer entre 20 et 120

### PRÉPARATION

Localisez les éléments dans les progiciels d'installation :

- Vis
- Support de tuyau de vidange
- Littérature, échantillons et/ou coupons
- Supports de montage
- Clips de buse de pulvérisation de bouteille (sur certains modèles)

**Tournez la page pour commencer l'installation de votre lave-vaisselle.**

# Installation du lave-vaisselle

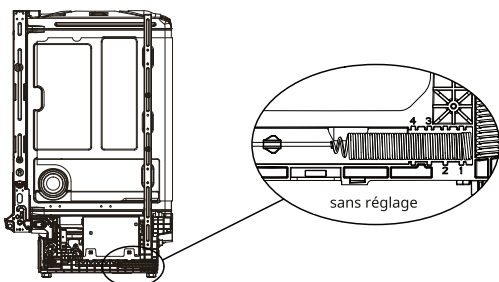
## ÉTAPE 1 VÉRIFIEZ L'ÉQUILIBRE DE LA PORTE

### PRUDENCE

Lorsque vous ouvrez la porte, le lave-vaisselle s'incline vers l'avant s'il n'est pas complètement installé. Lorsque vous ouvrez la porte avant que le lave-vaisselle ne soit complètement installé, tenez le dessus du lave-vaisselle d'une main et la porte de l'autre. Portez des gants.

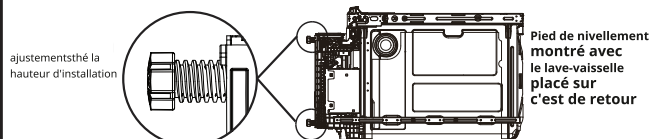


- Pour vérifier l'équilibre de la porte, agrippez fermement le dessus du lave-vaisselle.
- Vérifiez l'équilibre de la porte en ouvrant et en fermant la porte.
- Si la porte tombe lorsqu'elle est relâchée, augmentez la tension du ressort.  
Si la porte se soulève lorsqu'elle est relâchée, diminuez la tension du ressort.



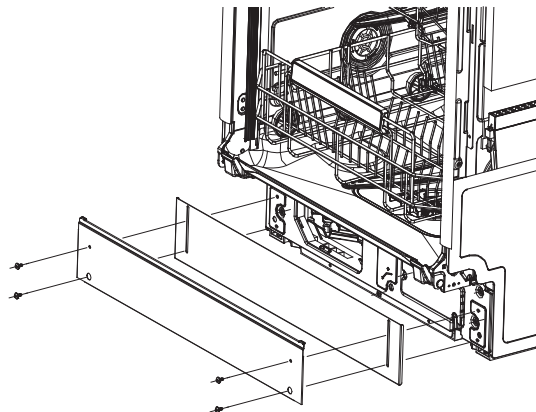
## ÉTAPE 2 RÉGLAGE DES PIEDS DE NIVELLEMENT

- Rapprochez le lave-vaisselle de l'emplacement d'installation et placez-le sur son dos. **NOTE** : Ne mettez pas le lave-vaisselle sur le côté.
- Mesurez la hauteur d'installation et la hauteur du lave-vaisselle. Prolongez les jambes ou bougies de base sur le devant, 1/2 po de moins que la hauteur intérieure de l'alation.



## ÉTAPE 3 RETIREZ LA PRISE

- Retirez les 4 vis de la douille et de la douille en 2 pièces. Mettez-le de côté pour l'utiliser à l'étape 19.

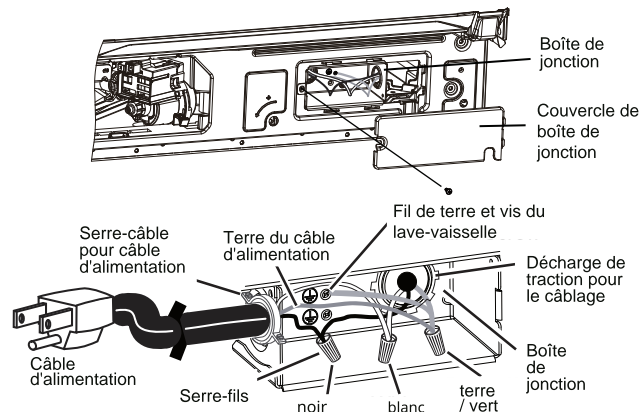


## ÉTAPE 4 INSTALLATION DU CÂBLE D'ALIMENTATION

Ignorez cette étape si le lave-vaisselle doit être branché en permanence au réseau électrique de la maison ou s'il dispose d'un cordon d'alimentation installé en usine.

- Le cordon d'alimentation et les connexions doivent être conformes au Code canadien de l'électricité, article 422 et/ou aux codes et ordonnances locaux. La longueur maximale du cordon d'alimentation est de 6 pieds. Le kit de câbles d'alimentation WG04F04614 est disponible à l'achat auprès d'un revendeur agréé.

- Retirez le couvercle de la boîte de jonction.
- Installez un serre-câble sur le support de la boîte de jonction.
- Insérez le cordon d'alimentation dans le serre-câble et serrez-le.



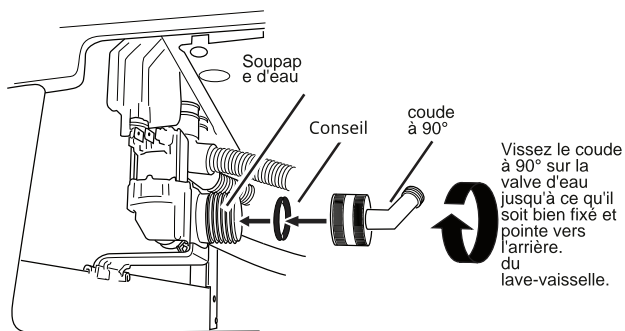
- Assurez-vous que les fils noir, blanc et vert du lave-vaisselle sont connectés. Il faut passer à travers le trou dans le support de la boîte de jonction.
- Branchez le cordon d'alimentation au fil blanc du lave-vaisselle, le fil noir au fil noir du lave-vaisselle et le fil de terre au fil vert. Utilisez des connecteurs de câble approuvés de taille appropriée.

- Remplacez le couvercle de la boîte de jonction en place à l'aide des vis. Assurez-vous que les câbles ne sont pas coincés sous le couvercle.

## Installation du lave-vaisselle

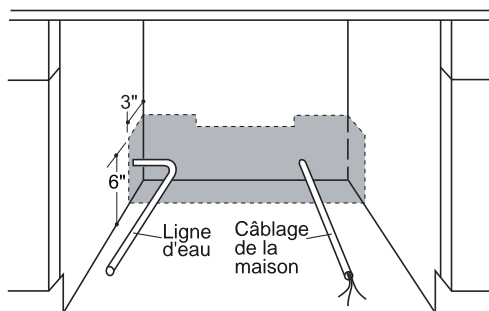
### ÉTAPE 5 INSTALLER LE COUDE À 90°

- Assurez-vous que le joint en caoutchouc est situé entre la valve et le coude.
- Vissez le coude à 90° dans la valve d'eau. Ne pas presser.
- Ne serrez pas trop le coude, car cela pourrait entraîner la flexion du support de la vanne d'eau ou la rupture du raccord.
- Placez le bout du coude contre l'arrière du lave-vaisselle.



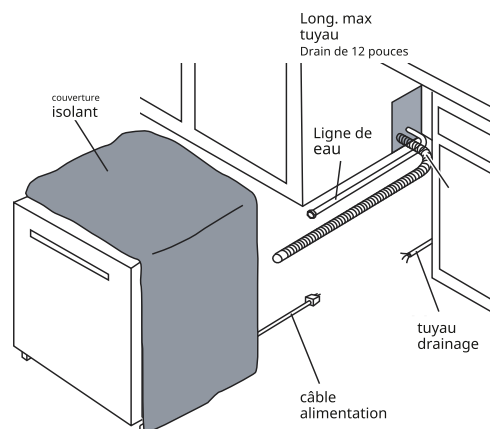
### ÉTAPE 6 POSITION DE LA LIGNE D'EAU ET LE CÂBLAGE DE LA MAISON

- Placez la conduite d'alimentation en eau et le câblage de la maison sur le plancher de l'ouverture pour éviter toute interférence avec la base et les composants du lave-vaisselle.



### ÉTAPE 7 INSTALLER LE TUYAU DE VIDANGE, À TRAVERS LE CABINET

- Placez le lave-vaisselle à la verticale devant l'ouverture du meuble. Insérez le tuyau de vidange sur le côté de l'armoire. Si un cordon d'alimentation est nécessaire, faites passer l'extrémité par une ouverture d'armoire séparée.



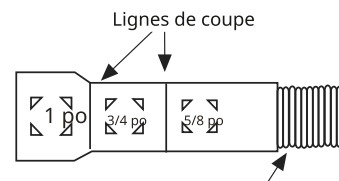
**Conseil :** évitez les frais d'appel de service inutiles pour les problèmes de remplissage, de vidange ou de bruit.

Placez les conduites de service de manière à ce qu'elles n'interfèrent pas avec quoi que ce soit en dessous, derrière le lave-vaisselle.

### ÉTAPE 8 CONNECTER LA CONDUITE DE VIDANGE

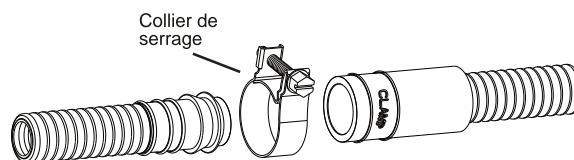
L'extrémité moulée du tuyau de vidange s'adapte aux orifices d'entrée de 5/8" à 1" de diamètre sur l'entrefer, le té de vidange ou l'élimination des déchets.

- Déterminer la grosseur de l'ouverture d'entrée.
- Coupez le connecteur du tuyau de vidange au niveau de la ligne rainurée, si nécessaire, pour l'adapter au port.



Utilisez la rallonge de tuyau de vidange préparée et raccordez-la directement au circuit de vidange. Fixez la connexion avec un collier au tuyau de vidange préparé.

**IMPORTANT :** NE PAS couper la partie sertie du tuyau



- LA HAUTEUR DU RACCORDEMENT DE VIDANGE NE DOIT PAS DÉPASSER 72 PO AU-DESSUS DU FOND DU LAVE-VAISSELLE.
- LA LONGUEUR TOTALE DU TUYAU DE VIDANGE NE DOIT PAS DÉPASSER 12 PIEDS POUR UN FONCTIONNEMENT CORRECT DU DRAINAGE.

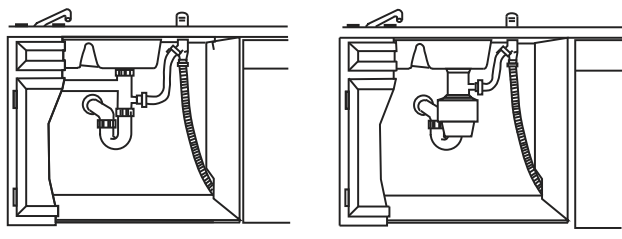
## Installation du lave-vaisselle

### ÉTAPE 8 CONNECTER LA CONDUITE DE VIDANGE

(CONTINUATION)

- Connectez la conduite de vidange à l'entrefer, au té de vidange ou à l'élimination des déchets en utilisant la méthode déterminée ci-dessus. Fixez le tuyau avec un collier de serrage à vis.

#### Méthode 1 : Espace d'air avec un té de déchets ou un broyeur

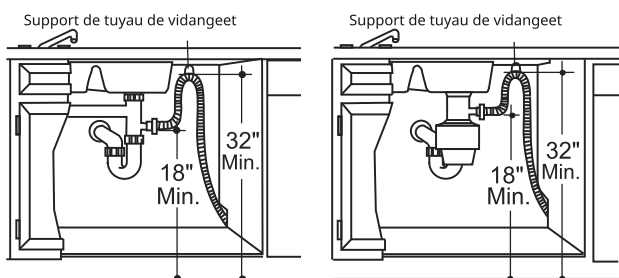


Installation de déchets T

Installation du broyeur T

#### Méthode 2 : Circuit à haut débit avec raccord en T ou broyeur à déchets

Fixez le tuyau de vidange sous le comptoir à l'aide d'un cintre.

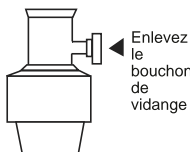


Installation de déchets

Installation du broyeur T

**IMPORTANT : Une des méthodes ci-dessus doit être utilisée, sinon le lave-vaisselle ne fonctionnera pas correctement.**

**IMPORTANT** - Lors du raccordement du drain au broyeur à déchets, assurez-vous que le bouchon de vidange a été retiré. LE LAVE-VAISSELLE NE VIDANGERA PAS SI LE BOUCHON EST LAISSÉ EN PLACE



Enlevez le bouchon de vidange

**Conseil : évitez les frais d'intervention inutiles en raison d'une plainte concernant un mauvais drainage et des bouchons**

Assurez-vous que le tuyau de vidange excédentaire est passé par l'ouverture de l'armoire. Cela empêchera l'excès de tuyau dans la cavité du lave-vaisselle d'être plié ou écrasé.

### ÉTAPE 9 INSTALLER LES SUPPORTS DE MONTAGE

Vous aurez besoin des supports de montage et de 4 des vis à tête cruciforme réservées dans la section **PRÉPARATION**.

Vous devez installer les supports de montage sur le dessus du cadre de la cuve du lave-vaisselle OU sur les côtés avant de faire glisser le lave-vaisselle en place sous le comptoir. Les supports de montage ont plusieurs positions de montage disponibles pour s'adapter à différentes constructions d'armoires.

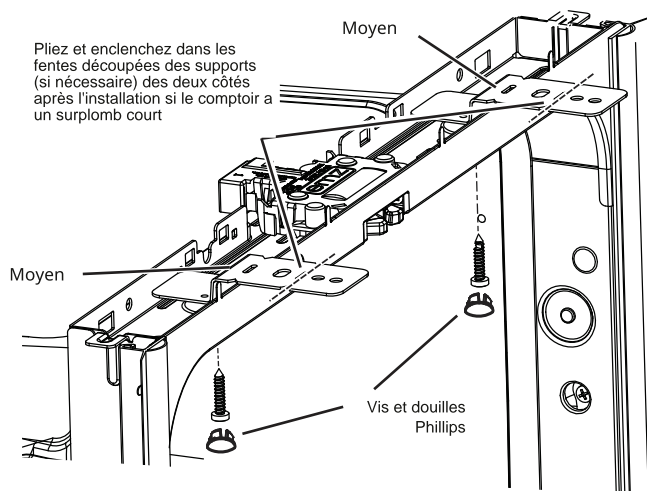
#### OPTION DE MONTAGE SUPÉRIEUR

Installez les supports de montage sur le dessus si le dessous du comptoir est en bois ou en un matériau semblable au bois qui accepte vis :

**IMPORTANT**- Après avoir installé les supports et avant de fermer la porte du lave-vaisselle, ajustez les supports en les pliant vers le haut au besoin afin qu'ils n'entrent pas en contact avec le haut de la porte du lave-vaisselle et ne causent pas de dommages.

- Si vous placez le lave-vaisselle sous un comptoir avec un court surplomb, les supports du comptoir peuvent s'étendre au-delà du bord du comptoir. Si c'est le cas, enlevez l'excédent de longueur en pliant à plusieurs reprises les supports uniquement au niveau de l'encoche avant jusqu'à ce qu'ils cassent.

- Retirez les 2 bouchons situés en haut à l'intérieur de la façade avant du lave-vaisselle. Placez les supports sur le dessus de chaque côté et fixez-les, de l'intérieur, avec les vis cruciformes. Remplacer les bougies.



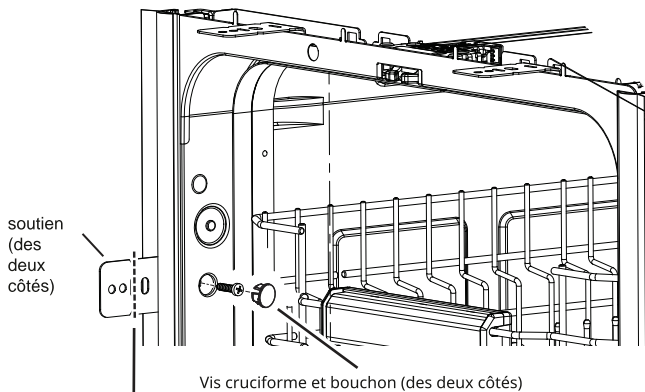
# Installation du lave-vaisselle

## ÉTAPE 9 INSTALLER LES SUPPORTS DE MONTAGE

### OPTION DE MONTAGE LATÉRAL

Installez les supports de montage sur les côtés si le comptoir est en granit ou en matériau similaire qui n'accepte pas les vis à bois :

- Cassez l'avant de la languette avec une pince à l'endroit indiqué, avant de la mettre dans le lave-vaisselle.
- Placez le support du côté gauche comme indiqué. Répétez la procédure avec le support approprié
- Enlevez les deux bouchons qui se trouvent dans le lave-vaisselle. Placez les supports de chaque côté et fixez-les, de l'intérieur, avec les vis cruciformes. Remplacer les bougies.



Pliez et enclenchez dans les fentes découpées sur les supports (si nécessaire) des deux côtés avant l'installation.

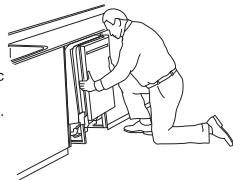
## ÉTAPE 10 PARTIELLEMENT DANS LE CABINET

**IMPORTANT** - N'appuyez PAS sur le panneau avant avec vos genoux, car cela pourrait l'endommager.

Saisissez les côtés du panneau avant et glissez le lave-vaisselle dans l'ouverture quelques pouces à la fois.



N'appuyez pas sur le panneau de porte avec votre genou, car cela pourrait l'endommager.



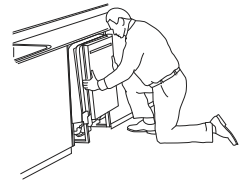
- Au fur et à mesure, tirez le tuyau de vidange à travers l'ouverture sous l'évier. Arrêtez de pousser lorsque le lave-vaisselle dépasse d'environ 6 pouces des armoires adjacentes
- Assurez-vous que le tuyau de vidange n'est pas plié sous ou derrière le lave-vaisselle.
- Assurez-vous que le câblage de la maison, la conduite d'évacuation et la conduite d'eau n'interfèrent pas avec les composants situés sous le lave-vaisselle.

## ÉTAPE 11 POSITION DU LAVE-VAISSELLE

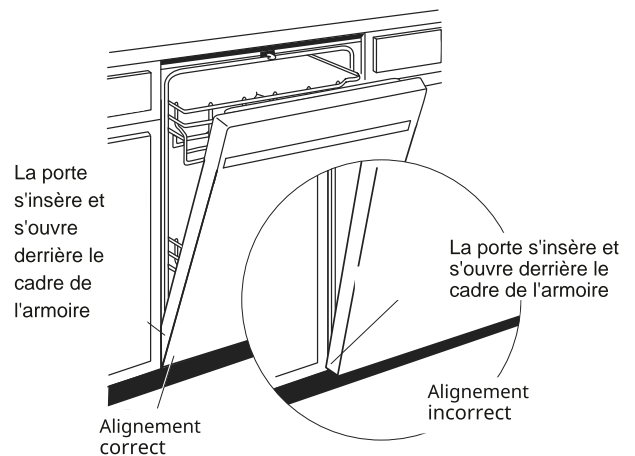
- Mettez le lave-vaisselle dans le meuble.
- Poussez les côtés avec vos mains. N'utilisez pas votre genou contre la porte, car cela pourrait l'endommager.



N'appuyez pas sur le panneau de la porte avant avec votre genou, car cela pourrait l'endommager.



- Assurez-vous que la couverture isolante de la baignoire ne froisse pas et n'interfère pas avec les ressorts lorsque vous la glissez dans l'armoire.
- Centrez le lave-vaisselle dans l'ouverture.
- El frente del panel de la puerta debe estar alineado con el frente del gabinete.
- Abra y cierre la puerta con cuidado para asegurarse de que el panel de la puerta no quede atrapado ni roce contra el marco del gabinete.
- Si la porte s'accroche ou frotte contre le cadre, repositionnez et/ou nivelez l'unité (voir étape 14) jusqu'à ce que la porte se déplace librement et n'entre pas en contact avec le cadre de l'armoire.



La porte s'insère et s'ouvre derrière le cadre de l'armoire

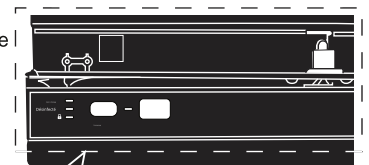
La porte s'insère et s'ouvre derrière le cadre de l'armoire

Alignement correct

Alignement incorrect

Vue du dessus

Les commandes de ces modèles sont conçues pour être cachées dans le comptoir. Alignez le lave-vaisselle tel qu'illustré sur la figure.



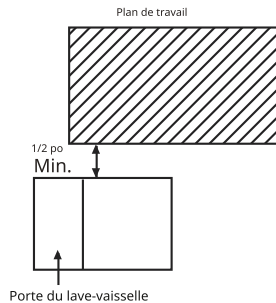
Commandes cachées derrière le comptoir

## Installation du lave-vaisselle

### ÉTAPE 11 POSITION DU LAVE-VAISSELLE SOUS LE COMPTOIR (CONTINUATION)

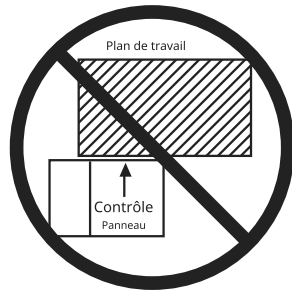
Laissez au moins 1/2 po entre le bas du comptoir et le haut de la porte du lave-vaisselle, comme illustré.

**REMARQUE :** Si le tuyau de vidange est coincé derrière l'appareil, il peut empêcher les commandes d'être cachées derrière le comptoir.



Conseil : les pattes de nivellement peuvent être utilisées pour augmenter ou diminuer l'espace entre les commandes et le comptoir, affectant ainsi la visibilité des commandes.

**IMPORTANT :** Laissez un minimum de 1/2 po entre les commandes et le dessous du comptoir pour éviter la condensation et les dommages au panneau de commande causés par les têtes de vis.



**REMARQUE :** Si ce lave-vaisselle remplace un lave-vaisselle existant, les trous de vis de l'ancien support de comptoir pourraient ne pas être dans la bonne position pour supporter un modèle à commande supérieure. De nouveaux trous pourraient être nécessaires.

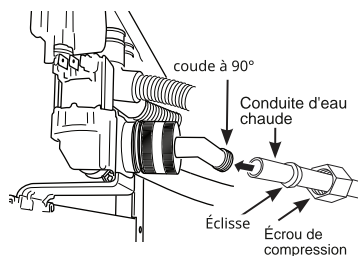
### ÉTAPE 12 RACCORDER L'ALIMENTATION EN EAU

Branchez la conduite d'eau au coude à 90°.

**Si un raccord de tuyau flexible tressé est utilisé :**  
Fixez l'écrou au coude à 90° à l'aide d'une clé à molette.

Si vous utilisez un raccord de tuyau en cuivre : faites glisser l'écrou de compression puis la virole sur l'extrémité de la conduite d'eau. Insérez la conduite d'eau dans le coude à 90°.

Faites glisser la virole contre le coude et fixez-la avec l'écrou.



### ÉTAPE 13 CONNECTER L'ALIMENTATION ÉLECTRIQUE

Si un cordon d'alimentation avec prise est déjà installé, passez à l'étape 14.

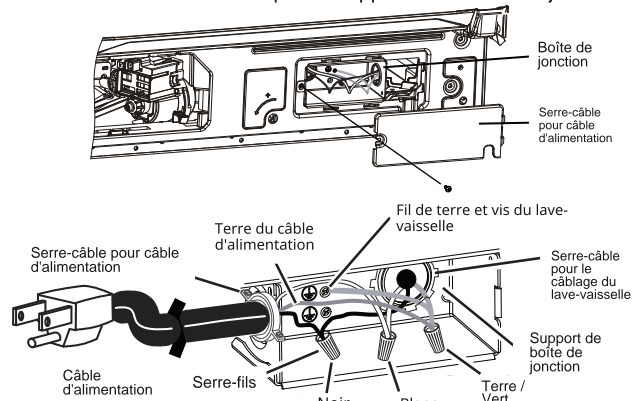
#### AVERTISSEMENT

Si le câblage de la maison n'est pas à deux fils, avec mise à la terre, l'installateur doit fournir une connexion à la terre. Si le câblage de votre maison est en aluminium, assurez-vous d'utiliser un composé antioxydant homologué UL et des connecteurs aluminium-cuivre.

- Retirez le couvercle de la boîte de jonction.
- Fixez le câblage de la maison sur le côté de la boîte de jonction à l'aide d'un serre-câble.
- Localisez les 3 fils du lave-vaisselle (blanc, noir et vert) avec les extrémités dénudées qui sortent du cavalier CA. Utilisez des serre-fils homologués UL de taille appropriée pour connecter la terre entrante au vert, le blanc au blanc et le noir au noir.
- Remplacez le couvercle de la boîte de jonction en place à l'aide des vis. Assurez-vous que les câbles ne sont pas coincés sous le couvercle.

Si vous utilisez un kit de cordon d'alimentation, utilisez le numéro de pièce GE Appliances WG04F04614 et reportez-vous à la feuille d'instructions incluse.

**REMARQUE :** Ne retirez pas le support de la boîte de jonction.



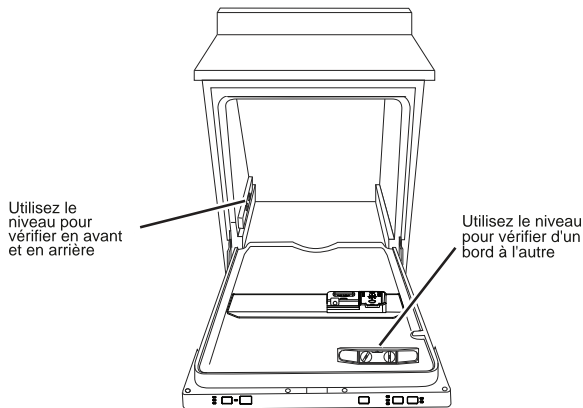
**REMARQUE :** Toutes les vis de terre, les supports et les câbles doivent rester intacts

## Installation du lave-vaisselle

### ÉTAPE 14 LAVE-VAISSELLE NIVEAU

**IMPORTANT**—Le lave-vaisselle doit être de niveau pour que le panier à vaisselle, le lavage et la porte fonctionnent correctement. Le lave-vaisselle doit être de niveau de gauche à droite et d'avant en arrière.

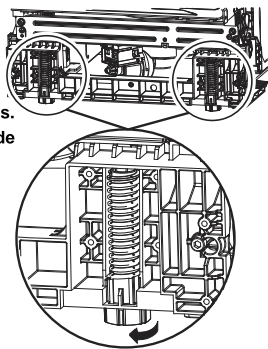
- Assurez-vous de maintenir un espace libre minimum de 1/2 po sous le comptoir.
- Retirez le panier inférieur et placez un niveau sur la porte et le rail du panier inférieur tel qu'illustré sur la figure.



- Si le lave-vaisselle n'est pas de niveau, ajustez les 4 pieds de nivellement individuellement.

**Conseil : évitez les frais de service inutiles. Assurez-vous que le lave-vaisselle est de niveau**

Retirez les égouttoirs à vaisselle à moitié. Ils doivent rester en place. Ouvrir et fermer la porte. Il doit s'insérer dans l'ouverture de la baignoire sans heurter le côté de la baignoire. Si les grilles tournent d'elles-mêmes ou si la porte frappe le côté de la cuve, remettez le lave-vaisselle à niveau.



**IMPORTANT**

Après la mise à niveau, assurez-vous que l'unité est toujours dans la bonne position indiquée à l'étape 11.

### ÉTAPE 15 LAVE-VAISSELLE POUR COMPTOIR OU ARMOIRE

Le lave-vaisselle doit être fixé au comptoir ou sur les côtés du meuble. Lorsque le dessous du comptoir est en bois, utilisez la **Méthode 1 (montage sur le comptoir)**

Utilisez la **Méthode 2 (montage latéral)** lorsque le dessous du comptoir est fait d'un matériau, comme le granit, qui n'accepte pas les vis à bois.

### ÉTAPE 15 LAVE-VAISSELLE POUR COMPTOIR OU ARMOIRE

**IMPORTANT** - Évitez d'endommager la porte et les panneaux de commande.

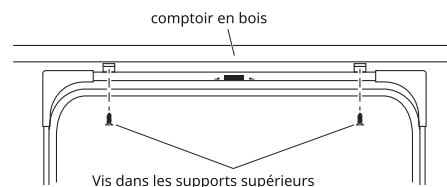
Le lave-vaisselle doit être positionné de manière à ce que les panneaux avant et de commande n'entrent pas en contact avec les armoires adjacentes ou le plan de travail. Les vis de montage doivent être placées droites et affleurantes.

Les têtes de vis saillantes peuvent égratigner le panneau de porte ou le panneau de commande et nuire au fonctionnement de la porte.

#### Méthode 1

**Fixez le lave-vaisselle sous le comptoir en bois.**

- Fixez le lave-vaisselle sous le comptoir à l'aide des deux vis cruciformes. Voir la figure. Assurez-vous que les vis sont installées droites et affleurantes pour éviter d'endommager le papier.

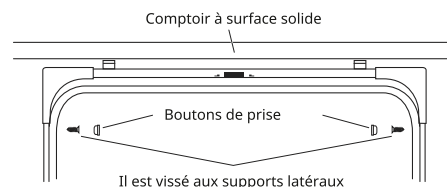


#### Méthode 2

**Fixez le lave-vaisselle sur les côtés de l'armoire.**

- Enlevez les bouchons de la baignoire. Ne les jetez pas.
- Fixez le lave-vaisselle aux armoires adjacentes à l'aide des 2 vis cruciformes fournies. Voir la figure. Assurez-vous que les vis sont installées droites et affleurantes pour éviter d'endommager le panneau. Ne pas visser dans le cadre avant de l'armoire.

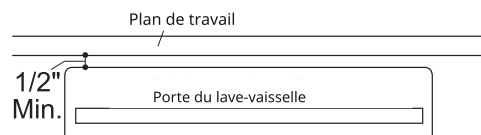
- Réinstaller les boutons de la prise.



- Vérifiez que le lave-vaisselle est d'équerre et de niveau en haut et en bas de l'ouverture du meuble. Aucune torsion ou déformation de la baignoire ou de la porte après le montage sur les armoires ou le comptoir. Ajustez si nécessaire.

- Vérifiez que tous les pieds de nivellement sont en contact avec le sol pour empêcher le lave-vaisselle de bouger et assurer le bon fonctionnement de la porte et du loquet.

#### Les deux méthodes



- Lorsque vous avez terminé cette étape, fermez la porte et vérifiez que l'espace entre le comptoir et le haut de la porte est d'au moins 1/2".

# Installation du lave-vaisselle

## ÉTAPE 16 LISTE DE CONTRÔLE PRÉ-TEST

Consultez cette liste après avoir installé votre produit pour éviter des frais pour un appel de service qui n'est pas couvert par votre garantie.

- Assurez-vous que l'alimentation est coupée.
- Ouvrez la porte et enlevez tous les emballages en mousse et en papier.
- Repérez le manuel d'utilisation.
- Lisez le manuel d'utilisation pour les instructions d'utilisation.
- Vérifiez l'ouverture et la fermeture de la porte. Si la porte ne s'ouvre pas et ne se ferme pas librement, vérifiez que les ressorts sont bien réglés. Si la porte tombe ou se ferme lorsqu'elle est relâchée, ajustez la tension du ressort. Voir l'étape 1.
- Assurez-vous que le câblage est bien fixé sous le lave-vaisselle et qu'il n'est pas pincé ou ne touche pas les ressorts de la porte ou d'autres composants. Voir l'étape 13.
- Vérifiez l'alignement de la porte avec l'armoire. Si la porte touche le meuble, remplacez le lave-vaisselle. Voir l'étape 11.
- Vérifiez que le ressort de la porte n'entre pas en contact avec la conduite d'eau, le tuyau de remplissage, le câblage ou d'autres composants. Voir les étapes 10 et 11.
- Assurez-vous que les conduites d'alimentation et de vidange d'eau ne sont pas pliées ou en contact avec d'autres composants. Le contact avec le moteur ou le châssis du lave-vaisselle peut faire du bruit. Voir les étapes 10 et 11.
- Ouvrez le robinet d'eau chaude de l'évier et vérifiez la température de l'eau. La température de l'eau entrante doit se situer entre 120°F et 140°F. Une température minimale de 120 °F est requise pour une performance de lavage optimale.
- Ajoutez 2/4 d'eau au fond du lave-vaisselle pour lubrifier le joint de la pompe.
- Ouvrez l'arrivée d'eau. Vérifiez les fuites. Ajustez les connexions si nécessaire.
- Retirez le film protecteur s'il est présent sur le panneau de commande et la porte.
- Évitez les frais d'intervention en vous assurant qu'il y a un espace d'air ou un tuyau de vidange acheminé par le conduit requis.

Hauteur minimale de 32". Voir l'étape 8

## ÉTAPE 17 VÉRIFIEZ CE QUI SUIV

- L'unité est carrée et de niveau en haut et en bas de la hauteur de l'armoire, sans torsion ni déformation de la baignoire ou de la porte.
- Les 4 pieds du lave-vaisselle sont fermement en contact avec le sol.
- Le tuyau de vidange n'est pas coincé entre l'appareil et les armoires ou les murs adjacents.

## ÉTAPE 18 TEST DE LAVAGE HUMIDE AU LAVE-VAISSELLE

- Allumez l'alimentation électrique ou branchez le cordon dans la prise, si équipée.
- Sélectionnez un cycle à exécuter et appuyez sur le bouton Démarrer.

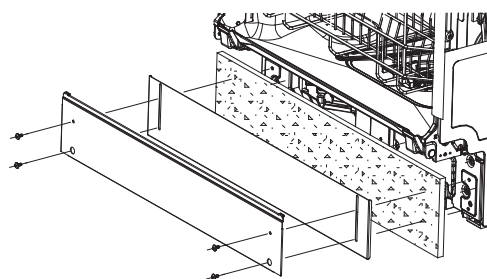
## ÉTAPE 18 TEST DU LAVE-VAISSELLE HUMIDE

- Fermez la porte du lave-vaisselle. Ça devrait commencer à marcher.
- Assurez-vous que l'eau entre dans le lave-vaisselle. Si cela ne fonctionne pas, veuillez confirmer que l'alimentation en eau et en électricité est ouverte.
- Vérifiez s'il y a des fuites sous le lave-vaisselle. Si vous en trouvez un, coupez le courant au disjoncteur, puis resserrez les raccords d'eau. Rétablissez l'alimentation électrique après avoir corrigé la fuite.

**REMARQUE :** De l'eau peut éclabousser l'entonnoir de remplissage, situé sur le côté droit de la baignoire, lors de la première utilisation après l'installation. Les éclaboussures sont plus susceptibles de se produire s'il y a de l'air dans la conduite d'alimentation en eau en raison d'une nouvelle construction ou si la vanne a été fermée pendant une période prolongée.

- Vérifiez s'il y a des fuites autour de la porte. Une fuite peut être causée par le frottement de la porte ou par son impact sur les armoires adjacentes. Changez la position du lave-vaisselle si nécessaire. Voir l'étape 11.
- Ouvrez la porte du lave-vaisselle. Appuyez sur la touche Démarrer et maintenez-la enfoncée jusqu'à ce que le voyant à côté s'éteigne pour annuler le cycle. Ferme la porte. L'unité commencera à se vider. Vérifiez les conduites de vidange. Si vous trouvez des fuites, coupez le courant au disjoncteur et corrigez la plomberie si nécessaire. Éteignez l'appareil après les corrections. Voir les étapes 7 et 8.
- Ouvrez la porte de l'appareil et assurez-vous que toute l'eau est évacuée. Sinon, assurez-vous que le bouchon de vidange a été enlevé et/ou que l'entrefer n'est pas obstrué. Vérifiez aussi le tuyau de vidange pour vous assurer qu'il n'est pas plié en dessous ou derrière. Voir l'étape 8.
- Appuyez de nouveau sur le bouton Démarrer et lancez l'appareil dans un autre cycle. Vérifiez les fuites et corrigez-les.
- Répétez ces étapes si nécessaire.

## ÉTAPE 19 INSTALLER LA PLINTHE ET PIÈCE ISOLANTE



- Localisez le bloc d'isolation acoustique à l'intérieur de l'unité. Si nécessaire, coupez l'excédent de feutre.
- Placez le panneau isolant et la pièce de base intérieure (avec fentes) contre la base de l'unité. Les fentes de la plinthe intérieure doivent être alignées.

Conseil : Réduisez le liquide produit sous l'appareil. Assurez-vous que la plinthe repose sur le sol.

- Placez une plus grande plinthe sur les parties intérieures et installez 4 vis de plinthe.
- Utilisez à la fois des plinthes et des panneaux isolants pour toutes les hauteurs d'installation.

## Installation du lave-vaisselle

### ÉTAPE 20 INSTALLER LES CLIPS DE JET DE BOUTEILLE

Localisez les clips Bottle Jets sur le sac de l'utilisateur.

Installez un clip sur la tige en faisant glisser la partie extérieure du clip sur la buse et en l'appuyant jusqu'à la base.

