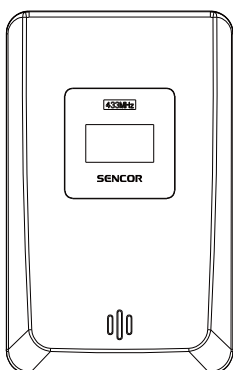


SENCOR®

SWS TH2900



USER MANUAL

NÁVOD K OBSLUZE

NÁVOD NA OBSLUHU

HASZNÁLATI ÚTMUTATÓ

INSTRUKCJA OBSŁUGI

INDOOR/OUTDOOR THERMOMETER

VNITŘNÍ/VENKOVNÍ TEPLOMĚŘ

VNÚTORNÝ/VONKAJŠÍ TEPLOMER

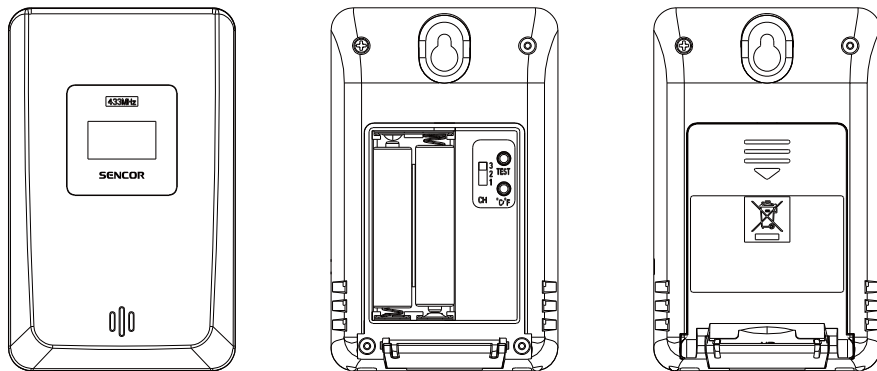
BELTÉRI/KÜLTÉRI HŐMÉRŐ

TERMOMETR WEWNĘTRZNY/ZEWNĘTRZNY

EN **CZ** **SK** **HU** **PL**

PROFILE

SENSOR



FUNCTIONS

- Temperature °C/°F selectable.
- Resolution 0.1 °C Temperature range: -50 °C—+70 °C
- Up to 3 RF channels
- Low voltage indication
- Synchronization time of 3 channels (CH1=57S CH2=67S CH3=79S)
- 3 channels selectable
- 2 functional keys
 - A. CH, click to switch channel
 - B. C/F, click to switch between °C/°F
- Power voltage: 2.5 V-3.3 V
- Static Current: <30 uA

POWER ON OR RESET

1. After power on, LCD full display for 3s, followed by temperature sampling and then enter into moral mode. It will check temperature and send date to receiver before synchronizing period ends.
2. Default temperature unit °C.
3. Default channel after power on is CH1.

OPERATION INSTRUCTION

1. Click“CH”to switch channels in sequence of CH1→CH2→CH3→CH1.
2. Click“C/F”to switch between °C/°F.

PRECAUTIONS

1. Do not clean any part of the product with benzene, thinner or other solvent chemicals. When necessary, clean it with a soft cloth.
2. Never immerse the product in water. This will damage the product.
3. Do not subject the product to extreme force, shock, or fluctuations in temperature or humidity.
4. Do not tamper with the internal components.
5. Do not mix new and old batteries or batteries of different types.
6. Do not mix alkaline, standard or rechargeable batteries with this product.
7. Remove the batteries if storing this product for a long period of time.
8. Do not dispose of this product as unsorted municipal waste. Collection of such waste separately for special treatment is necessary.

INSTRUCTIONS AND INFORMATION REGARDING THE DISPOSAL OF USED PACKAGING MATERIALS

Dispose of packaging material at a public waste disposal site.

DISPOSAL OF USED ELECTRICAL AND ELECTRONIC APPLIANCES



The meaning of the symbol on the product, its accessory or packaging indicates that this product shall not be treated as household waste. Please, dispose of this product at your applicable collection point for the recycling of electrical & electronic equipment waste.

Alternatively in some states of the European Union or other European states you may return your products to your local retailer when buying an equivalent new product. The correct disposal of this product will help save valuable natural resources and help in preventing the potential negative impact on the environment and human health, which could be caused as a result of improper liquidation of waste. Please ask your local authorities or the nearest waste collection centre for further details. The improper disposal of this type of waste may fall subject to national regulations for fines.

For business entities in the European Union

If you wish to dispose of an electrical or electronic device, request the necessary information from your seller or supplier.

Disposal in other countries outside the European Union

If you wish to dispose of this product, request the necessary information about the correct disposal method from local government departments or from your seller.



The product meets EU requirements.

Changes to the text, design and technical specifications may occur without prior notice and we reserve the right to make these changes.

Hereby, FAST ČR, a.s. declares that the radio equipment type SWS TH2900 is in compliance with Directive 2014/53/EU.

The full text of the EU declaration of conformity is available at the following internet address: www.sencor.eu

The original version is in the Czech language.

Address of the manufacturer: FAST ČR, a.s., Černokostelecká 1621, Říčany CZ-251 01

SENCOR®

EN Warranty conditions

Warranty card is not a part of the device packaging.

This product is warranted for the period of 24 months from the date of purchase to the end-user. Warranty is limited to the following conditions. Warranty is referred only to the customer goods using for common domestic use. The claim for service can be applied either at dealer's shop where the product was bought, or at below mentioned authorized service shops. The end-user is obligated to set up a claim immediately when the defects appeared but only till the end of warranty period. The end user is obligated to cooperate to certify the claiming defects. Only completed and clean (according to hygienic standards) product will be accepted. In case of eligible warranty claim the warranty period will be prolonged by the period from the date of claim application till the date of taking over the product by end-user, or the date the end-user is obligated to take it over. To obtain the service under this warranty, end-user is obligated to certify his claim with duly completed following documents: receipt, certificate of warranty, certificate of installation.

This warranty is void especially if apply as follows:

- Defects which were put on sale.
- Wear-out or damage caused by common use.
- The product was damaged by unprofessional or wrong installation, used in contrary to the applicable instruction manual, used in contrary to legal enactment and common process of use or used for another purpose which has been designed for.
- The product was damaged by uncared-for or insufficient maintenance.
- The product was damaged by dirt, accident of force majeure (natural disaster, fire, and flood).
- Defects on functionality caused by low duality of signal, electromagnetic field interference etc.
- The product was mechanically damaged (e.g. broken button, fall).
- Damage caused by use of unsuitable media, fillings, expendable supplies (batteries) or by unsuitable working conditions (e.g. high temperatures, high humidity, quakes).
- Repair, modification or other failure action to the product by unauthorized person.
- End-user did not prove enough his right to claim (time and place of purchase).
- Data on presented documents differs from data on products.
- Cases when the claiming product cannot be indentified according to the presented documents (e.g. the serial number or the warranty seal has been damaged).

Authorized service centers

Visit www.sencor.eu for detailed information about authorized service centers.