

The word "dreame" is the abbreviation of Dreame Technology Co., Ltd. and its subsidiaries in China. It is the transliteration of the company's Chinese name "追觅", which means striving for excellence in every endeavor and reflects the company's vision of continuous pursuit, exploration and search in technology.



For more support, contact us via support.us@dreame.tech

Website: <https://global.dreame.tech>

Tel: +1 (866) 977-5177

Manufactured by: Dreame Trading (Tianjin) Co., Ltd.

Address: Room 2112-1-1, South District, Finance and Trade Center, No.6975 Yazhou Road, Dongjiang

Bonded Port Area, Tianjin Pilot Free Trade Zone, Tianjin, China

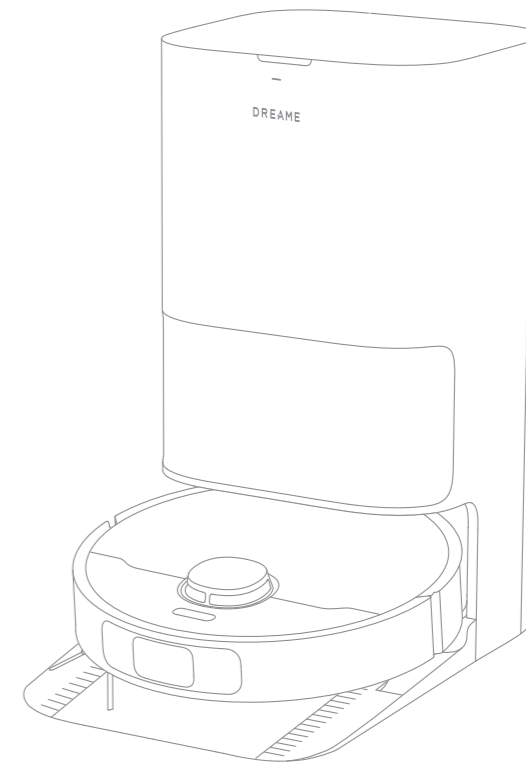
Made in China



US-A02

Dreame L10s Ultra Gen 2

Robot Vacuum and Mop with
Auto-Empty and Mop Self-Cleaning
[User Manual](#)



The illustrations in this manual are for reference only. Please refer to the actual product.

DREAME



Contents

EN	User Manual	01
FR	Manuel d'utilisation	29
ES	Manual de usuario	57

Safety Information

IMPORTANT SAFETY INSTRUCTIONS

When using an electrical appliance, basic precautions should always be followed, including the following:

READ ALL INSTRUCTIONS BEFORE USING (THIS APPLIANCE), Failure to follow the warnings and instructions may result in electric shock, fire and/or serious injury.

SAVE THESE INSTRUCTIONS

Household use only.

WARNING - To reduce the risk of fire, electric shock, or injury:

- Do not use outdoors or on wet surfaces.
- Do not allow to be used as a toy. Close attention is necessary when used by or near children, pets or plants.
- Use only as described in this manual. Use only manufacturer's recommended attachments.
- Do not use with damaged cord or plug. If appliance is not working as it should, has been dropped, damaged, left outdoors, or dropped into water, return it to a service center.
- Do not pull or carry by cord, use cord as a handle, close a door on cord, or pull cord around sharp edges or corners. Do not run appliance over cord. Keep cord away from heated surfaces.
- Do not unplug by pulling on cord. To unplug, grasp the plug, not the cord.
- Do not handle the base station, including charger plug, and charger terminals with wet hands.
- Do not put any object into openings. Do not use with any opening blocked; keep free of dust, lint, hair, and anything that may reduce air flow.

Safety Information

- Keep hair, loose clothing, fingers, and all parts of body away from openings and moving parts.
- Turn off all controls before unplugging.
- Do not use to pick up flammable or combustible liquids, such as gasoline, or use in areas where they may be present.
- Connect to a properly grounded outlet only. See Grounding Instructions.
- Do not pick up anything that is burning or smoking, such as cigarettes, matches, or hot ashes.
- To Reduce the Risk of Fire and Electric Shock due to internal component damage, use only Dreame Trading (Tianjin) Co., Ltd. cleaning fluid intended for use with this appliance. See the Cleaning Fluid section of this manual.
- Do not use without dust bag.
- Prevent unintentional starting. Ensure the switch is in the off-position before connecting to battery pack, picking up or carrying the appliance. Carrying the appliance with your finger on the switch or energizing appliance that have the switch on invites accidents.
- Do not use and store in extremely hot or cold environments (below 0°C/32°F or above 40°C/104 °F). Please charge the robot in temperature above 0°C/32 °F and below 40°C/104 °F.
- Recharge only with the charger specified by the manufacturer. A charger that is suitable for one type of battery pack may create a risk of fire when used with another battery pack.
- Use appliances only with specifically designated battery packs. Use of any other battery packs may create a risk of injury and fire.
- When battery pack is not in use, keep it away from other metal objects, like paper clips, coins, keys, nails, screws or other small metal objects, that can make a connection from one terminal to another. Shorting the battery terminals together may cause burns or a fire.
- Under abusive conditions, liquid may be ejected from the battery; avoid contact. If contact accidentally occurs, flush with water. If liquid contacts eyes, additionally seek medical help. Liquid ejected from the battery may cause irritation or burns.
- Do not use a battery pack or appliance that is damaged or modified. Damaged or modified batteries may exhibit unpredictable behavior resulting in fire, explosion or risk of injury.

Safety Information

- Do not expose a battery pack or appliance to fire or excessive temperature. Exposure to fire or temperature above 130°C/266 °F may cause explosion.
- Follow all charging instructions and do not charge the battery pack or appliance outside of the temperature range specified in the instructions. Charging improperly or at temperatures outside of the specified range may damage the battery and increase the risk of fire.
- Have servicing performed by a qualified repair person using only identical replacement parts. This will ensure that the safety of the product is maintained.
- Do not modify or attempt to repair the appliance or the battery pack except as indicated in the instructions for use and care.
- Place the cords from other appliances out of the area to be cleaned.
- Do not operate the vacuum in a room where an infant or child is sleeping.
- Do not operate the vacuum in an area where there are lit candles or fragile objects on the floor to be cleaned.
- Do not operate the vacuum in a room that has lit candles on furniture that the vacuum may accidentally hit or bump into.
- Do not allow children to sit on the vacuum.
- Do not use the vacuum on a wet surface.
- Use only with RCLE0304/RCLE0304-3 supply unit.
- Risk Of Injury. Brush May Start Unexpectedly. Switch off the appliance and Remove the brush Before Cleaning or Servicing.
- Unplug before cleaning or servicing.

Caution:

This device complies with Part 15 of the FCC Rules / Innovation, Science and Economic Development Canada's licence-exempt RSS(s). Operation is subject to the following two conditions: (1) this device may not cause harmful interference. (2) this device must accept any interference received, including interference that may cause undesired operation.

Changes or modifications not expressly approved by the party responsible for compliance could void the user's authority to operate the equipment.

Safety Information

This equipment has been tested and found to comply with the limits for a Class B digital device, pursuant to part 15 of the FCC Rules. These limits are designed to provide reasonable protection against harmful interference in a residential installation. This equipment generates uses and can radiate radio frequency energy and, if not installed and used in accordance with the instructions, may cause harmful interference to radio communications. However, there is no guarantee that interference will not occur in a particular installation. If this equipment does cause harmful interference to radio or television reception, which can be determined by turning the equipment off and on, the user is encouraged to try to correct the interference by one or more of the following measures:

- Reorient or relocate the receiving antenna.
- Increase the separation between the equipment and receiver.
- Connect the equipment into an outlet on a circuit different from that to which the receiver is connected.
- Consult the dealer or an experienced radio/TV technician for help.

MPE Reminding

To satisfy FCC / IC RF exposure requirements, a separation distance of 8" (20 cm) or more should be maintained between the antenna of this device and persons during device operation.

To ensure compliance, operations at closer than this distance is not recommended.

To disable Wi-Fi module on robot, power the robot ON. Place the robot on the Base Station. Ensure the Charging Contacts on robot and the Base Station Pins make a connection.

Press and hold the Dock Button on the robot for 20 seconds until the Wi-Fi module is turned off.

When the Wi-Fi module is turned off, press any button on the robot to turn the Wi-Fi module on.

— — —	Direct current
~	Alternating current

This Device Complies with DHHS Radiation Rules, 21CFR Chapter 1, Subchapter J.

I: ON

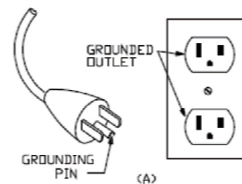
O: OFF

GROUNDING INSTRUCTIONS

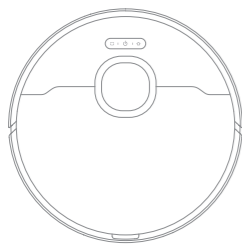
This appliance must be grounded. If it should malfunction or breakdown, grounding provides a path of least resistance for electric current to reduce the risk of electric shock. This appliance is equipped with a cord having an equipment grounding conductor and grounding plug. The plug must be inserted into an appropriate outlet that is properly installed and grounded in accordance with all local codes and ordinances.

WARNING - Improper connection of the equipment-grounding conductor can result in a risk of electric shock. Check with a qualified electrician or service person if you are in doubt as to whether the outlet is properly grounded. Do not modify the plug provided with the appliance - if it will not fit the outlet, have a proper outlet installed by a qualified electrician.

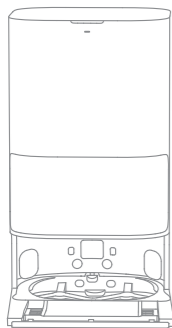
This appliance is for use on a nominal 120-V circuit and has a grounding attachment plug that looks like the plug illustrated as below. Make sure that the appliance is connected to an outlet having the same configuration as the plug. No adaptor should be used with this appliance.



Package Contents



Robot

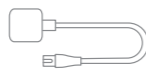


Base Station

Other Accessories



Side Brush



Power Cord



User Manual

Base Station Ramp
Extension PlateAuto-Detergent
Compartment
(pre-installed)Mop Pad × 2
(pre-installed)Mop Pad
Holder × 2Dust Bag × 2
(1 pre-installed)

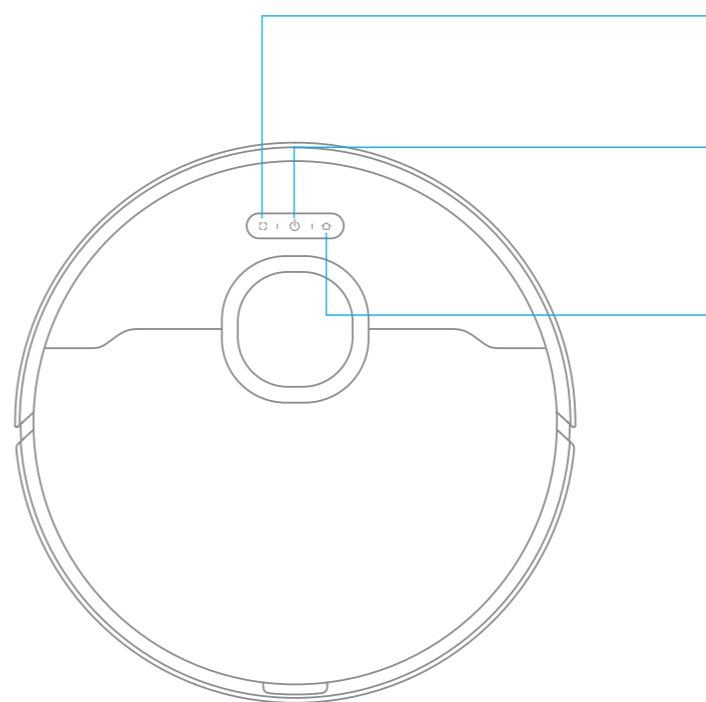
Cleaning Tool





Cleaning Solution


Product Overview

Robot



 **Spot Cleaning Button**
· Press to start spot cleaning

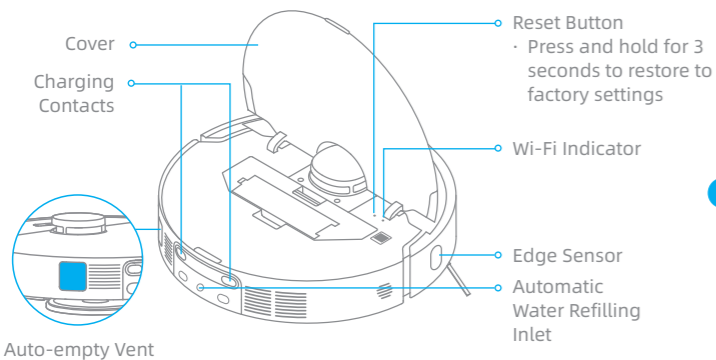
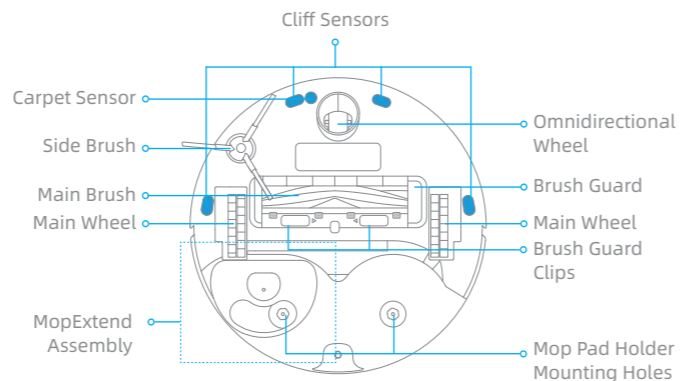
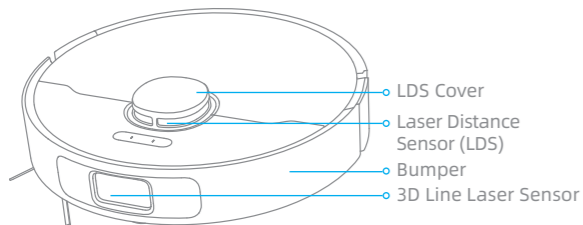
 **Power / Clean Button**
· Press and hold for 3 seconds to turn on or off
· Press to start cleaning after the robot is turned on

 **Dock Button**
· Press to send the robot back to the base station
· Press and hold for 3 seconds to disable Child Lock

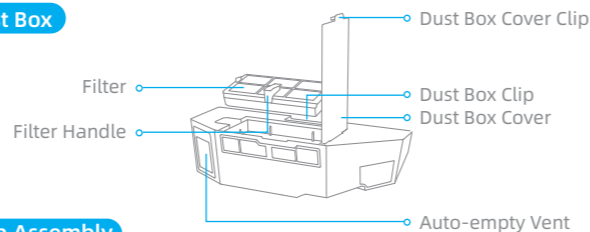
Status Indicator
· Solid White: Cleaning or cleanup completed
· Breathing White: Charging (not low battery)
· Solid Orange: Standby at low battery or paused at low battery
· Breathing Orange: Charging (low battery)
· Blinking Orange: Error

Note:
· Press any button on the robot to pause while the robot is cleaning or returning to charge.
· Child Lock can be enabled/disabled through the Dreamehome App.

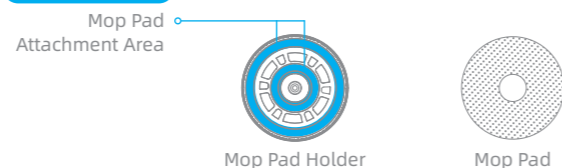
Robot and Sensors



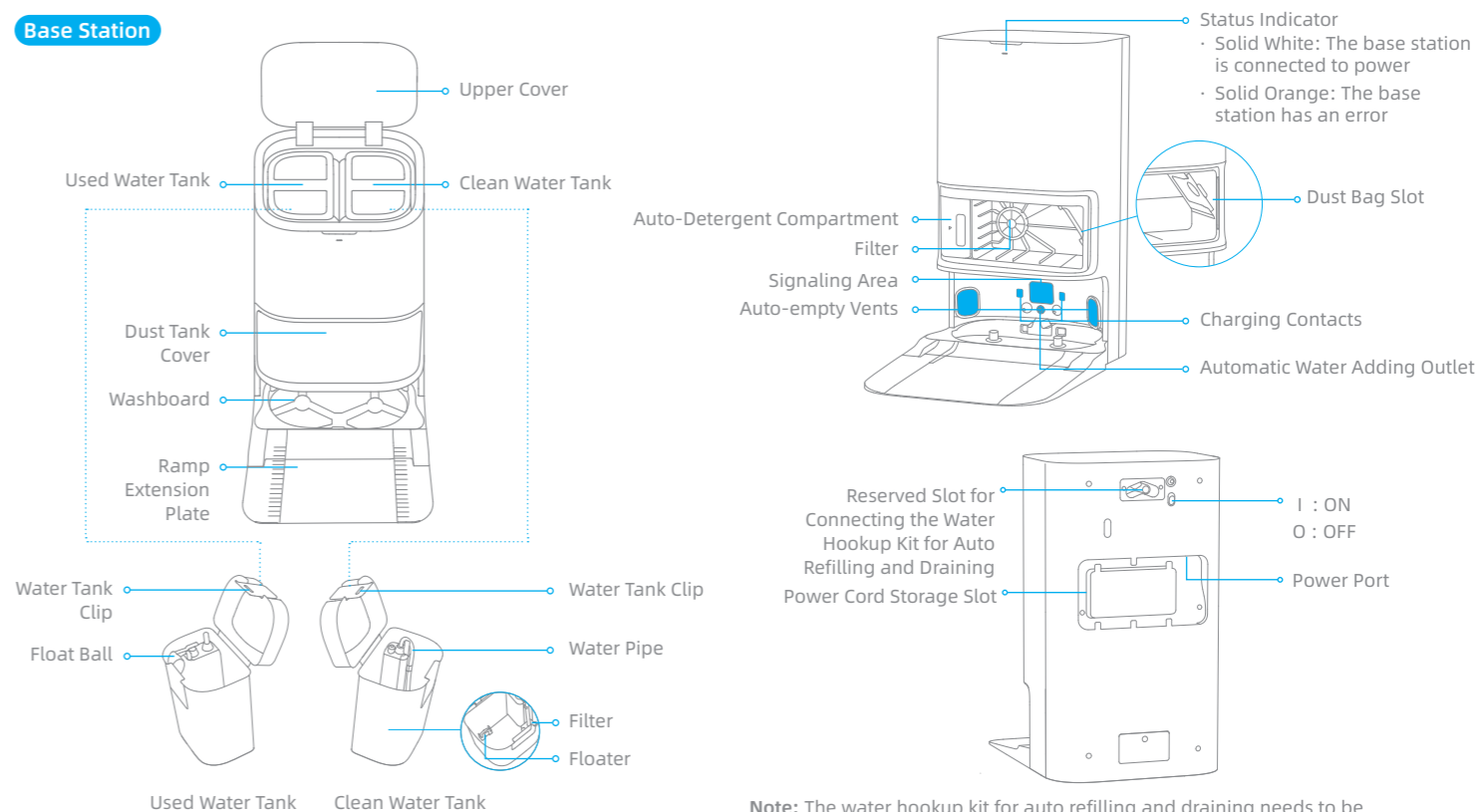
Dust Box



Mop Assembly



Base Station

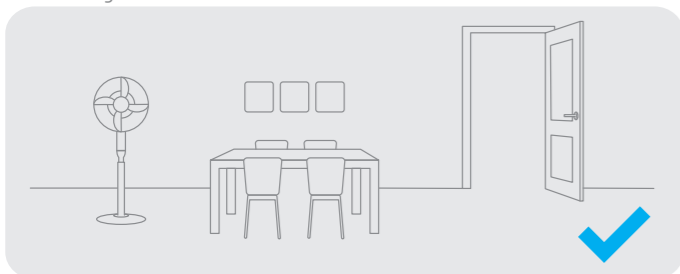


Note: The water hookup kit for auto refilling and draining needs to be purchased separately. (Only available in specific regions)

Preparing Your Home

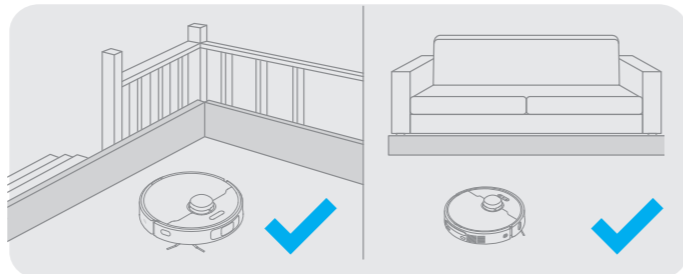


Before cleaning, please move away unstable, fragile, valuable or dangerous items, and clean up cables, cloths, toys, hard objects and sharp objects on the ground to avoid being entangled, scratched or knocked over by the robot and causing losses.

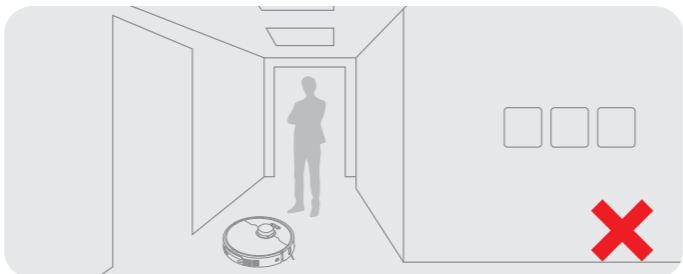


Open the door of the room to be cleaned, and put the furniture in its proper place to leave more space.

- Note:**
- When operating the robot for the first time, follow it around while cleaning to remove any potential obstacles in time.
 - Do not vacuum hard objects like stones, steel balls and toy parts, or sharp objects like construction waste, broken glass and nails, otherwise the ground may be scratched.



Before cleaning, place a physical barrier at the edge of the stairs and sofa to ensure the secure and smooth operations of the robot.

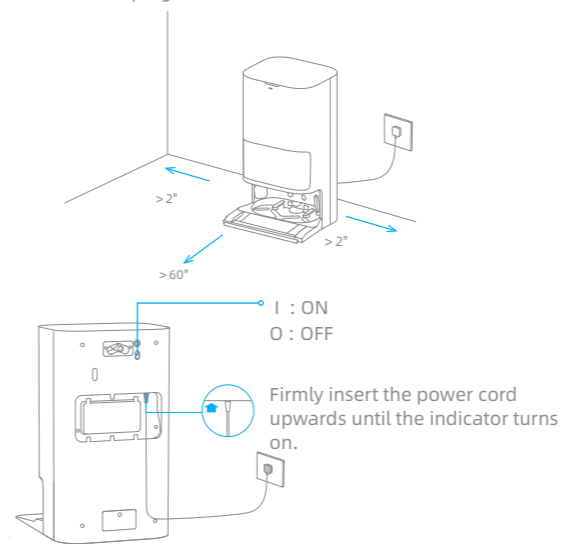


To prevent the robot from not recognizing areas that need to be cleaned, do not stand in front of the robot, threshold, hallway, or narrow places.

Before Use

1. Place the Base Station and Connect to an Electrical Outlet

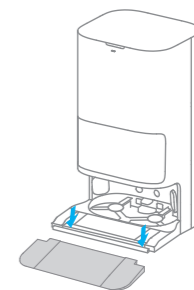
Place the base station in a location that is as open as possible with a good Wi-Fi signal. Remove any objects that are closer than 60" (1.5 m) from the front and 2" (5 cm) from either side of the base station. Insert the power cord into the base station and plug it into the socket.



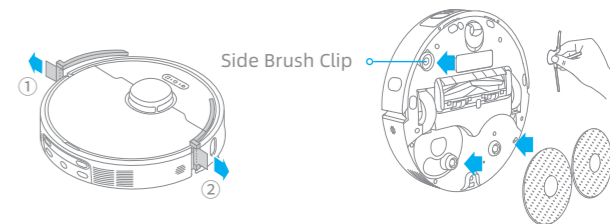
Note:

- Make sure that no objects might block the signaling area.
- To prevent water stains from wetting wood floors or carpets, placing the base station on tile floors or marble floors is recommended.


2. Install the Ramp Extension Plate

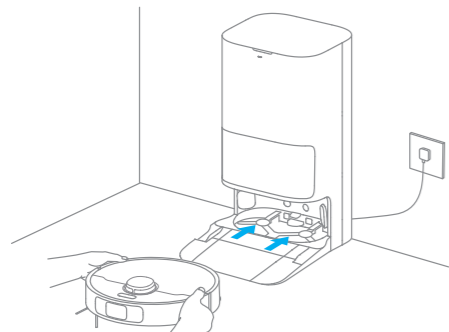


3. Remove Robot Protections, and Install the Side Brush and Mop Assembly



4. Connect the Robot to the Base Station

Press and hold the button  on the robot for 3 seconds to turn it on. Place the robot onto the base station with the mop assembly facing toward the washboard. Then you will hear a voice notification when the robot successfully connects to the base station.

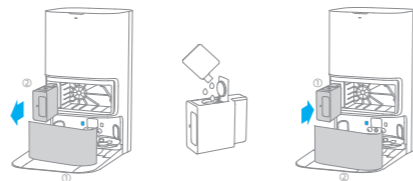


Note: It is recommended to fully charge the robot before its first use. When the robot cannot be turned on after the battery is depleted, manually connect the robot with the station to charge it.

5. Add the Cleaning Solution (Cleaning Fluid Section)

- (1) Remove the dust tank cover and pull out the auto-detergent compartment.
- (2) Open the upper lid of the compartment and add the cleaning solution.
- (3) Close the lid of the compartment, put it back into the base station, and then reinstall the dust tank cover. The cleaning solution will be added

automatically while working.



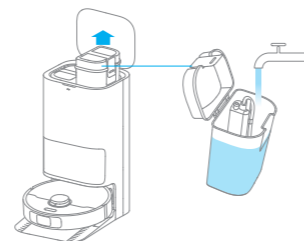
Note:

- The auto-detergent compartment can be filled up with cleaning solution for use. Do not add any liquid other than the officially-approved cleaning solution to help prevent malfunction.
- Install the auto-detergent compartment until it clicks into place.

WARNING: To Reduce the Risk of Fire and Electric Shock due to internal component damage, use only Dreame Trading (Tianjin) Co., Ltd. cleaning fluid (for Dreame L10s Ultra Gen 2) intended for use with this appliance.

6. Add Water to the Clean Water Tank

Take out the clean water tank from the base station and fill up the tank with clean water. Then install it back into the base station.

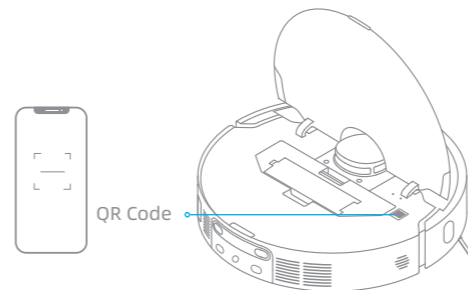


Note: Do not add hot water into the water tank, as this may cause the tank to become deformed.

Connecting with the Dreamehome App

1. Download the Dreamehome App

Scan the QR code on the robot, or search "Dreamehome" in the app store to download and install the app.



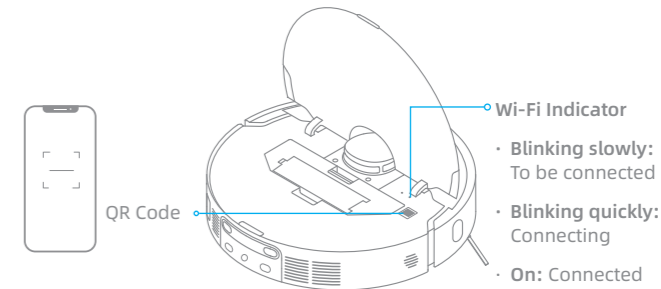
Note:

- Only 2.4 GHz Wi-Fi is supported.
- Due to upgrades in the app software, the actual operations may differ from the directions in this manual. Please follow the instructions based on the current app version.

2. Add Device



Open the Dreamehome app, tap "Scan QR code to connect", and scan the same QR code on the robot again to add the device. Please follow the prompts to finish the Wi-Fi connection.

Note: If you want to reset Wi-Fi, repeat step 2 and then follow the prompts to finish the Wi-Fi connection.



How to Use

Turn On/Off

Press and hold the button  for 3 seconds to turn on the robot. The power indicator should be illuminated. Place the robot onto the base station, the robot should turn on automatically and begin charging. To turn off the robot, move the robot away from the base station and press and hold the button  for 3 seconds.

Fast Mapping

After configuring the network for the first time, follow the instructions in the app to quickly create a map. The robot will start mapping without cleaning. When the robot returns to the base station, the mapping process has been completed and the map will be saved automatically.

Pause/Sleep

When the robot is running, press any button to pause it. If the robot is paused for more than 10 minutes, it automatically enters sleep mode. All indicators on the robot will turn off. Press any button on the robot, or use the app to wake up the robot.

Note: If the robot is paused and placed onto the base station, the current cleaning process will end.

Auto Resume Cleaning

If the battery is too low, the robot will automatically return to the base station to charge. After charging to the appropriate battery level, it will resume unfinished cleaning tasks.

Note: To use this function, please enable it in the app.


Do Not Disturb (DND) Mode

When the robot is set to the Do Not Disturb (DND) mode, the robot will be prevented from resuming cleaning and the power indicator goes out. The DND mode is disabled by default at the factory. You can use the app to enable the DND mode or modify the DND period. The DND period is 22:00-8:00 by default.



Note:

- The scheduled cleaning tasks will be performed as usual during the DND period.
- The robot will resume cleanup where it left off after the DND period expires.

Spot Cleaning

When the robot is on standby, press briefly the button  to enable the spot cleaning mode. In this mode, the robot cleans a square-shaped area of 1.5 × 1.5 meters around it and returns to its starting point once the spot cleaning is completed.

Robot Restarting


If the robot stops responding or cannot be turned off, press and hold the button  for 10 seconds to forcefully turn it off. Then, press and hold the button  for 3 seconds to turn the robot on.

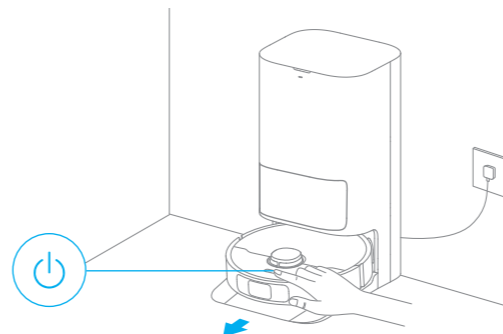
How to Use

Vacuum and Mop

Note: When using the mop assembly for the first time, the robot performs the "Vacuum and Mop" task by default.

1. Start cleaning

Press the button  on the robot, or use the app to make the robot start from the base station. Then the robot will plan the optimal cleaning route and perform the cleaning task based on the created map.

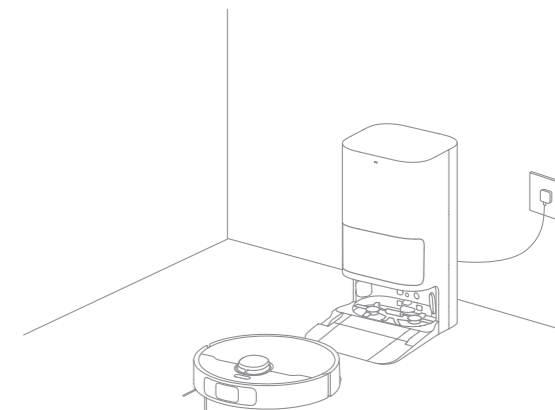


Note:

- To ensure the robot easily returns to the base station after cleaning, it is recommended to make the robot start from the base station.
- The mop pads will be cleaned before the robot starts mopping, please wait patiently.
- Do not move the base station, the clean water tank, the used water tank, or the washboard during operation.

2. Auto mop washing

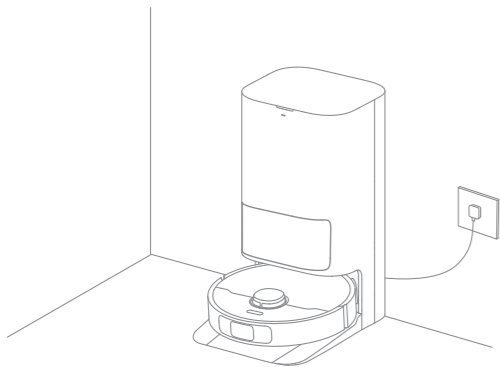
When cleaning, the robot will automatically return to the base station to wash mop pads based on the mop pad cleaning frequency specified in the app. The base station will automatically refill the robot's water tank and the robot will resume cleanup.



How to Use

3. Automatically empty the dust box and wash and dry the mop pads

After the robot finishes a cleaning task and returns to the base station to charge, the base station will automatically start emptying the dust box. Then it will wash and dry the mop pads.



Note:

- If the auto-empty function is turned off in the app, the base station will not automatically empty the dust box.
- The base station will empty the dust box according to the setting in the app.

4. Clean the used water tank

After the robot has completed its task, please clean the used water tank to prevent any odor.

Mop after Vacuuming

Enable the mopping after vacuuming function in the app, and the robot will automatically lift the mop assembly to vacuum the floor. After vacuuming is completed, the robot will return to empty the dust box, and then start mopping after automatically lowering the mop assembly.

Vacuum Only

Enable the vacuuming function in the app, and the robot will automatically lift the mop assembly and start vacuuming.

Mop Only

Enable the mopping function in the app, and the robot will check if the mop assembly is installed. If not, manually install the mop assembly, and then the robot will automatically start mopping.

Routine Maintenance

Parts

To keep the robot in good condition, it is recommended to refer to the accessory usage in the app or the following table for routine maintenance.

Part	Maintenance Frequency	Replacement Period
Used water tank	After each use	/
Clean water tank	Once every 2 weeks	Every 6 to 12 months
Main brush		
Dust box's filter		Every 3 to 6 months
Side brush		
Mop pad holder		/
Washboard	Once every month	/
Base station's signaling area		
Charging contacts		
Auto-empty vents		
Omnidirectional wheel		
Edge sensor		
Laser Distance Sensor (LDS)		
3D line laser sensor		

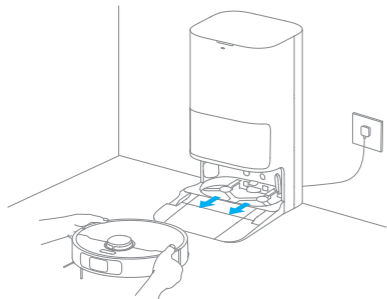
Part	Maintenance Frequency	Replacement Period
Carpet sensor	Once every month	/
Cliff sensors		
Bumper		
Robot's automatic water refilling inlet		
Bottom of the robot		
Dust box		
Dust bag	/	Every 2 to 4 months
Mop pad	/	Every 1 to 3 months

Note: The replacement frequency will depend on your usage of the robot. If an exception occurs due to special circumstances, the parts should be replaced.

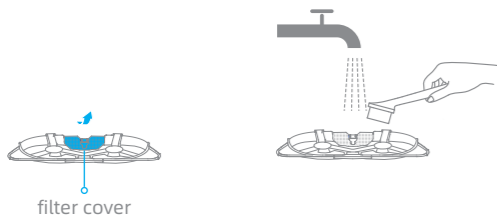
Routine Maintenance

Washboard Base

1. Take out the robot from the base station.



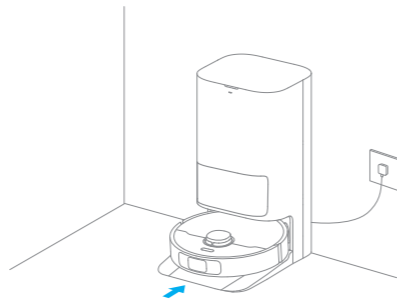
2. Take out the washboard and open the filter cover. Rinse the washboard with clean water and clean it with the provided cleaning tool. After cleaning, close the cover and wipe the washboard with a soft and dry cloth.



3. Wipe the washboard base clean, and put the washboard back into the base station.



4. Use the app or briefly press the  button on the robot to make it return to the base station.

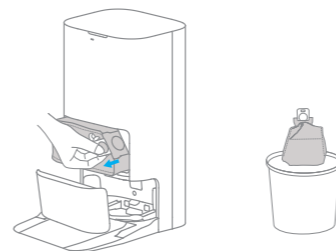


Note: During cleaning, do not make the robot return to the base station.

Routine Maintenance

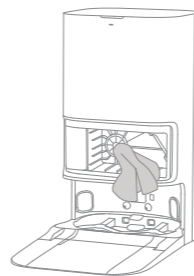
Dust Bag

1. Remove the dust tank cover and discard the dust bag.

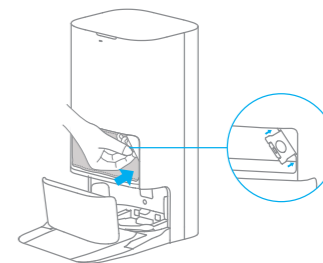


Note: Pulling upwards on the handle will seal the bag to prevent the dust and debris from accidentally falling out.

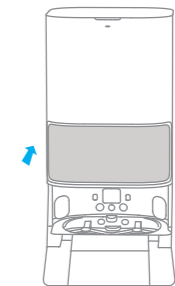
2. Remove the dust and debris from the filter with a dry cloth.



3. Install a new dust bag.



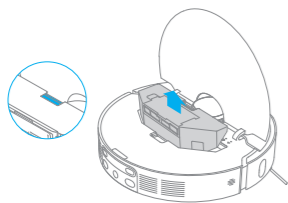
4. Reinstall the dust tank cover.



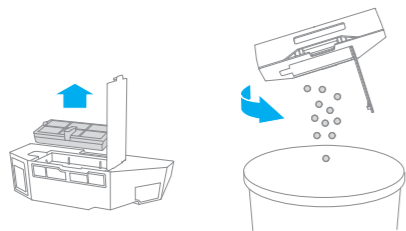
Routine Maintenance

Dust Box and Filter

1. Open the robot cover and press the dust box clip to remove the dust box.



2. Open the dust box cover, remove the filter, and then empty the dust box as shown in the diagram.

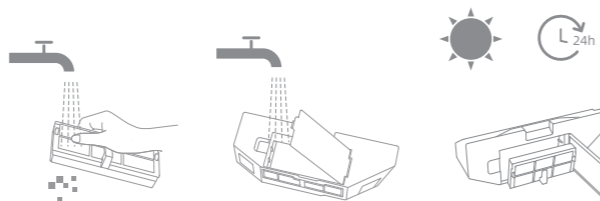


3. Gently tap the basket of the filter to remove the dirt.



Note: Do not attempt to clean the filter with a brush, a finger or sharp objects to prevent damage.

4. Rinse the dust box and filter with water and dry them completely before reinstalling.



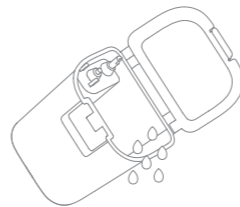
Note:

- Rinse the dust box and filter with clean water only. Do not use any detergent.
- Use the dust box and filter only when they are completely dry.

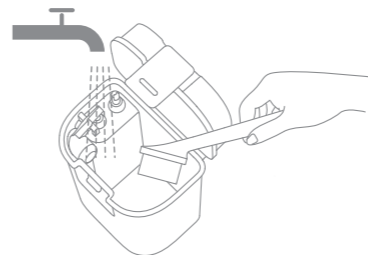
Routine Maintenance

Used Water Tank

1. Remove the used water tank, open its cover and pour out the used water.



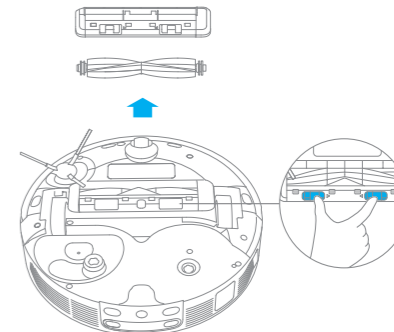
2. Rinse the used water tank with clean water, and use the provided cleaning tool to clean the inner wall of the used water tank.



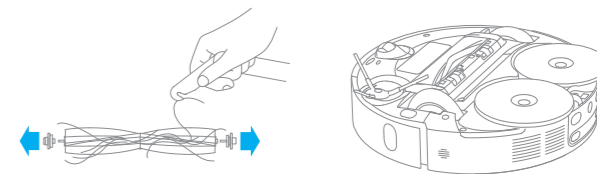
Note: The float ball in the used water tank is a movable part. Do not apply too much force when cleaning it to avoid damaging it.

Main Brush

1. Press the brush guard clips inwards to remove the brush guard and lift the brush out of the robot.



2. Pull out the brush covers at both ends of the brush as shown in the figure. Use the provided cleaning tool to remove any hair tangled in the brush. Reinstall the brush covers on both ends of the brush, and then reinstall the brush. Press on the brush guard to lock it in place.



Routine Maintenance

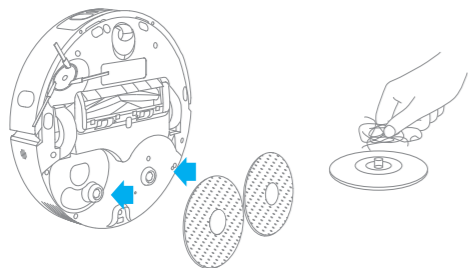
Side Brush

Remove and clean the side brush.

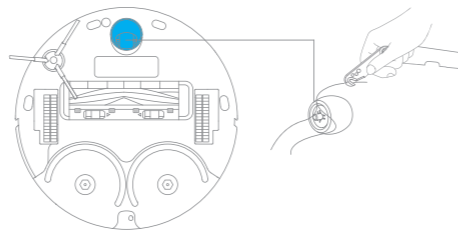


Mop Pad Holder

Remove and clean the mop pad holder.



Omnidirectional Wheel



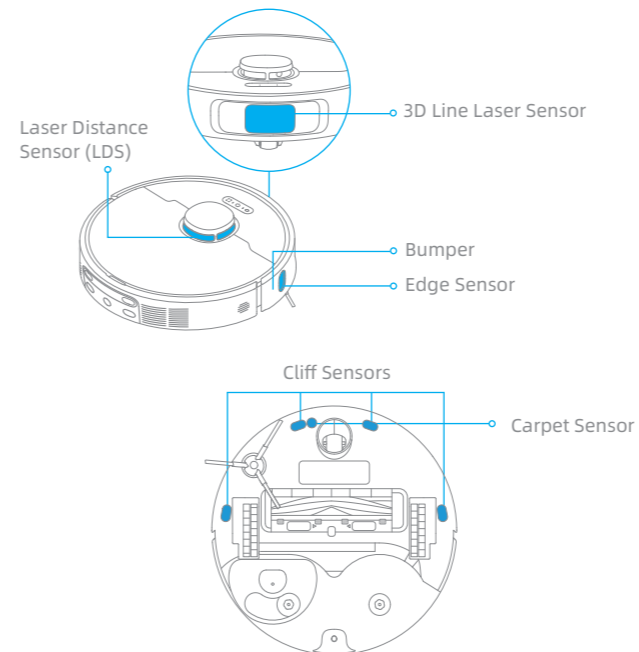
Note:

- Use a tool such as a small screwdriver to separate the axle and tire of the omnidirectional wheel. Do not use excessive force.
- Rinse the omnidirectional wheel under the running water and put it back after drying it completely.

Routine Maintenance

Robot Sensors

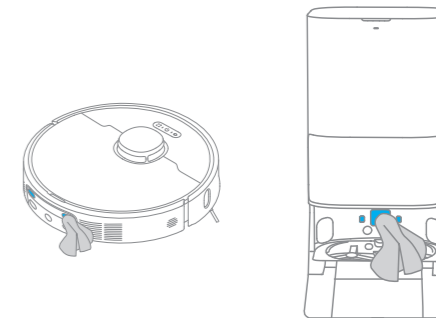
Wipe robot sensors by using a soft and dry cloth, as shown in the below figure:



Note: A wet cloth can damage sensitive elements within the robot and the base station. Please use a dry cloth for cleaning.

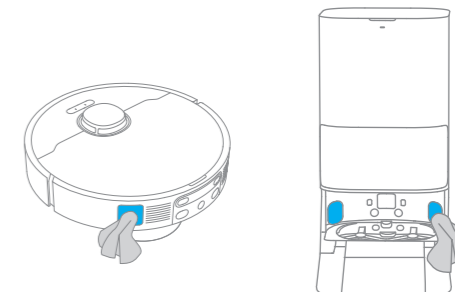
Charging Contacts and Signaling Area

Clean the charging contacts and the signaling area with a soft and dry cloth.



Auto-empty Vents

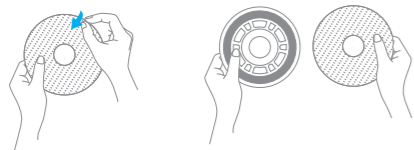
Clean the auto-empty vents of the robot and the base station with a soft and dry cloth.



Routine Maintenance

Mop Pad



Remove the mop pad from the mop pad holder to replace it.




Battery

The robot contains a high-performance lithium-ion battery pack. Make sure that the battery remains well-charged for daily use to maintain optimal battery performance. If the robot is not used for an extended period of time, turn it off and put it away. To prevent damage from over-discharging, charge the robot at least once every three months.

Troubleshooting

Problem	Solution
The robot will not turn on.	The battery is low. Recharge the robot on the base and try again. The temperature of the battery is too low or too high. It is recommended to operate the appliance at a temperature between 32°F (0°C) and 104°F (40°C).
The robot will not charge.	The base station is not connected to power, please make sure both ends of its power cord are correctly plugged in. The contact between the charging contacts on the base station and the robot is poor, please clean the charging contacts. Check whether there is any foreign object at the connector of the robot and remove the foreign object if any.
The robot fails to connect to Wi-Fi.	The Wi-Fi network password is incorrect. Make sure the password used to connect to your Wi-Fi network is correct. The robot does not support a 5 GHz Wi-Fi connection. Make sure the robot is connected to a 2.4 GHz Wi-Fi connection. The Wi-Fi signal is weak. Make sure the robot is in an area with good Wi-Fi coverage. The robot may not be ready to be configured. Please exit and re-enter the app, and then try again as instructed.
The robot cannot find and return to the base station.	The base station is disconnected from power or moved when the robot is not on it. Please connect the base station to the power supply or place the robot onto the base station to charge. There are too many obstructions around the base station. Place the base station in a more open area. Moving the robot may cause it to re-position itself, and it will recreate a map if re-positioning fails. If the robot is too far from the base station, it might not be able to automatically return on its own, in which case you will need to manually place the robot onto the base station. Wipe the signaling area on the base station to remove dust or debris.
The robot gets stuck in front of the base station and cannot return to it.	Clear any obstruction within 2" (5 cm) on the left and right sides or within 60" (1.5 m) in front of the base station to prevent the robot from being blocked. The route for returning to charge is blocked, e.g. the door is closed. The robot may slip if the floor in front of the base station is overly wet. If so, clean the excess water before trying again. It is recommended to move the base station to a different place and try again. Make sure the ramp extension plate is installed properly.
The robot will not turn off.	The robot cannot be turned off when it is charging. It is recommended to move the robot from the base station, and then press and hold the button  for 3 seconds to turn it off. If the robot cannot be turned off by performing step 1, press and hold the button  for 10 seconds to forcibly turn off the robot. If the problem persists, please contact after-sales service.

Problem	Solution
The charging speed is slow.	It takes about 3.5 hours to fully charge the robot when its battery is low. If you operate the robot at temperatures outside of the specified range, the charging speed will automatically slow down to extend the battery life. The charging contacts on both the robot and the base may be dirty, please wipe them with a dry cloth.
The noise increases while the robot is operating.	Check whether the dust box filter is clogged. If so, clean it or replace it. A hard object may be caught in the main brush or the dust box. Check and remove any hard object. The main brush or the side brush may become tangled. Check and remove any foreign objects. Switch the suction mode to Standard or Quiet.
The robot moves without following the set route.	Objects such as power cords and slippers should be organized before using the robot. Working on wet slippery surfaces causes the main wheel to slip. It is recommended to dry the wet places before using the robot. Wipe the 3D line laser sensor on the robot with a clean, soft cloth to keep it clean and unobstructed.
The robot misses the rooms to be cleaned.	Make sure that the doors of the rooms to be cleaned are open. Check whether there is a threshold higher than about 0.8" (2 cm) at the door of the room. The robot cannot climb over high thresholds or steps. The place in front of the room to be cleaned may be wet and slippery, causing the robot to slip and work abnormally. Please try drying the floor before using the robot.
The robot will not resume cleaning after charging.	Make sure that the robot is not set to the Do Not Disturb (DND) mode, which will prevent it from resuming cleaning. The robot will not resume cleaning after you manually place the robot on the base station or send the robot to charge via the app or the button  .

Problem	Solution
The station cannot automatically empty the dust box.	Check whether the dust bag in the dust tank is full. If the dust bag is not full, check whether there is any obstruction at the auto-empty vents of the robot, the base station, or the dust box. If any, clean the blocked part in time.
The water level in the washboard is abnormal.	Check whether the seal on the used water tank is loose or not correctly installed, and manually reset it if so. If the problem persists, please contact the after-sales service team. Gently press down on the used water tank to make sure it is installed correctly. Remove the washboard and check whether the sewage drain is blocked and clean it. Check the cleaning solution. Do not add any liquid other than the officially-approved cleaning solution.
The mop pad holder is raised abnormally.	Please remove the mop pad holder to check if there is any foreign object stuck in it, and try to restart the robot. If the problem persists, please contact the after-sales service team.
There is water under the clean water tank or around the seal.	When taking out the clean water tank, some water in the pipe may be left under the tank or around the seal. This is normal. Please wipe with a dry cloth.

For additional services, please contact us via support.us@dreame.tech
Tel: +1 (866) 977-5177

Robot

Model	RLL32SE/RLL32SE-1
Charging Time	Approx. 3.5 hours
Rated Voltage	14.4 V $\overline{=}$
Rated Power	75 W
Operation Frequency	2400-2483.5 MHz
Maximum Output Power	<20 dBm

Base Station

Model	RCLE0304/RCLE0304-3
Rated Input	120 V ~ 60 Hz 4.1 A
Rated Output	20 V DC, 2 A

Under normal use of condition, this equipment should be kept a separation distance of at least 8" (20 cm) between the antenna and the body of the user.

IMPORTANTES MESURES DE SÉCURITÉ

L'utilisation d'un appareil électrique demande certaines précautions:

LIRE TOUTES LES INSTRUCTIONS AVANT DE FAIRE FONCTIONNER (CETAPPAREIL), Le non-respect des mises en garde et des instructions peut causer des chocs électriques, des incendies et/ou des blessures graves.

CONSERVER CES INSTRUCTIONS

Usage Domestique seulement.

AVERTISSEMENT - Pour réduire les risques d'incendie, de choc électrique ou de blessure:

- Ne pas exposer à la pluie, Ranger à l'intérieur.
- Ne pas permettre aux enfants de jouer avec l'appareil. Une attention particulière est nécessaire lorsque l'appareil est utilisé par des enfants ou à proximité de ces derniers.
- N'utiliser que conformément à cette notice avec les accessoires recommandés par le fabricant.
- Ne pas utiliser si le cordon ou la fiche est endommagé. Retourner l'appareil à un atelier de réparation s'il ne fonctionne pas bien, s'il est tombé ou s'il a été endommagé, oublié à l'extérieur ou immergé.
- Ne pas tirer soulever ni trainer l'appareil par le cordon. Ne pas utiliser le cordon comme une poignée, le coincer dans l'embrasure d'une porte ou l'appuyer contre des arêtes vives ou des coins. Ne pas faire rouler l'appareil sur le cordon. Garder le cordon à l'écart des surfaces chaudes.
- Ne pas débrancher en tyrant sur le cordon. Tirer plutôt la fiche.
- Ne manipulez pas la station de base, y compris la fiche du chargeur, et les bornes du chargeur avec les mains mouillées.
- N'insérer aucun objet dans les ouvertures. Ne pas utiliser l'appareil lorsqu'une ouverture est bloquée. S'assurer que de la poussière, de la peluche, des cheveux ou d'autres matières ne réduisent pas le débit d'air.
- Maintenir les cheveux, les vêtements amples, les doigts et toutes les parties du corps à l'écart des ouvertures et des pièces mobiles.

Informations sur la sécurité

- Mettre toutes les commandes en position d'arrêt avant de débrancher l'appareil.
- Ne pas aspirer des liquides inflammables ou combustibles, comme de l'essence, et ne pas faire fonctionner dans des endroits où peuvent se trouver de tels liquides.
- Doit être branché sur une prise de courant avec mise à la terre. Voir les instructions de mise à la terre.
- Ne pas aspirer de matières en combustion ou qui dégagent de la fumée, comme des cigarettes, des allumettes ou des cendres chaudes.
- Pour réduire le risque d'incendie ou de choc électrique dû au dommage de composants internes, utiliser seulement le liquide de nettoyage Dreame Trading (Tianjin) Co., Ltd. prévu pour cet appareil (voir détails sur les produits de nettoyage ailleurs dans cette notice).
- Ne pas utiliser l'appareil si le sac à poussière ou le filter n'est pas en place.
- Éviter une mise en marche accidentelle. S'assurer que l'interrupteur est à la position arrêt avant de raccorder la batterie, de lever ou de déplacer l'appareil. Transporter l'appareil en gardant un doigt sur l'interrupteur, ou mettre sous tension un appareil dont l'interrupteur est à la position marche peut causer un accident.
- Ne pas utiliser et entreposer dans un environnement à température extrêmement chaude ou froide (inférieure à 0°C/32 °F ou supérieure à 40°C/104 °F). Veuillez charger le robot à une température supérieure à 0°C/32 °F et en dessous de 40°C/104 °F.
- Retirer la batterie de l'appareil avant d'effectuer des réglages, changer les accessoires ou ranger l'appareil. Ces mesures de sécurité ont pour but d'éviter une mise en marche accidentelle de l'appareil.
- Recharger uniquement avec le chargeur prescrit par le fabricant. Un chargeur convenant à un type de batterie peut présenter un risque d'incendie lorsqu'il est utilisé avec une autre batterie.
- Utiliser uniquement les batteries recommandées pour l'appareil. L'utilisation d'autres types de batteries peut présenter un risque de blessure ou d'incendie.
- Lorsque l'appareil n'est pas utilisé, tenir la batterie loin d'objets métalliques comme des trombones, des pièces de monnaie, des clés, des clous, des vis ou autres petits objets qui pourraient établir une liaison entre les bornes. Un court-circuit des bornes des batteries peut causer des brûlures ou un incendie.

Informations sur la sécurité

- En condition d'usage abusif, du liquide peut s'échapper de la batterie ; éviter tout contact avec ce liquide. En cas de contact accidentel, rincer abondamment avec de l'eau. En cas de contact avec les yeux, consulter également un médecin. Le liquide projeté peut causer des irritations ou des brûlures.
- Ne pas utiliser une batterie ou un appareil endommagé ou qui a été modifié. Des batteries endommagées ou modifiées peuvent avoir un comportement imprévisible pouvant causer un incendie, une explosion ou un risque de blessure.
- Ne pas exposer une batterie ou un appareil à la flamme ou à des températures excessives. L'exposition à une flamme ou à des températures supérieures à 130°C/266 °F peut causer une explosion.
- Respecter toutes les instructions de chargement et ne pas charger la batterie ou l'appareil à des températures qui ne sont pas incluses dans la gamme de températures indiquées dans la notice d'instructions. Un chargement mal effectué.
- Confier les réparations à une personne qualifiée qui utilisera uniquement des pièces de remplacement identiques. Cette façon de faire garantira la sécurité du produit.
- Ne pas modifier ni tenter de réparer l'appareil ou la batterie sauf comme il est indiqué dans les instructions d'utilisation et d'entretien.
- Éloigner les cordons d'autres appareils de la zone à nettoyer.
- Ne pas utiliser l'aspirateur dans une pièce où un nourrisson ou un enfant dort.
- Ne pas utiliser l'aspirateur dans un endroit où il ya des bougies allumées ou des objets fragiles sur le plancher à nettoyer.
- Ne pas utiliser l'aspirateur dans une pièce où il ya des bougies allumées sur les meubles que l'aspirateur peut heurter ou se cogner accidentellement.
- Ne pas laisser les enfants s'asseoir sur l'aspirateur.
- Ne pas utiliser l'aspirateur sur une surface mouillée.
- N'utiliser que l'unité d'approvisionnement RCLE0304/RCLE0304-3.
- Risque de blessures. La brosse motorisée peut se mettre en marche d'une manière imprévue. Éteignez l'Appareil et Retirez la Brosse Avant De Procéder Au Nettoyage ou À L'entretien.
- Débranchez l'appareil avant de le nettoyer ou de le réparer.

L'émetteur/récepteur exempt de licence contenu dans le présent appareil est conforme aux CNR d'Innovation, Sciences et Développement économique Canada applicables aux appareils radio exempts de licence. L'exploitation est autorisée aux deux conditions suivantes :

1. L'appareil ne doit pas produire de brouillage;
2. L'appareil doit accepter tout brouillage radioélectrique subi, même si le brouillage est susceptible d'en compromettre le fonctionnement.

L'antenne installée doit être située de façon à ce que la population ne puisse être exposée à une distance de moins de 8" (20 cm). Installer l'antenne de façon à ce que le personnel ne puisse approcher à 8" (20 cm) ou moins de la position centrale de l'antenne.
La FCC des états-unis stipule que cet appareil doit être en tout temps éloigné d'au moins 8" (20 cm) des personnes pendant son fonctionnement.

Pour désactiver le module Wi-Fi du robot, activez le robot. Placez le robot sur la station de recharge. Assurez-vous que les contacts de charge du robot et les broches de la station de recharge sont connectés. Appuyez sur le bouton nettoyage concentré pendant 20 secondes jusqu'à ce que le module Wi-Fi s'éteigne. Quand le module Wi-Fi sur le robot est désactivé, appuyez sur n'importe quel bouton du panneau pour réactiver le module Wi-Fi.

---	Courant continu
~	Courant alternatif

Cet appareil est conforme aux règles de radiation du DHHS, 21 CFR chapitre 1, sous-chapitre J.

I: MARCHE

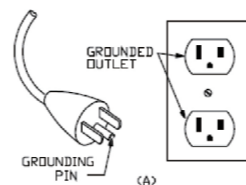
O: ARRÊT

INSTRUCTIONS DE MISE À LA TERRE

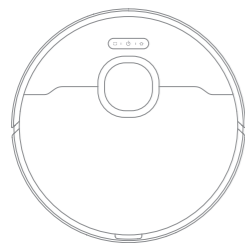
Cet appareil doit être mis à la terre. En cas de défaillance ou de panne, le circuit de mise à la terre offre au courant un chemin de moindre résistance qui réduit le risque de choc électrique. L'appareil est pourvu d'un cordon muni d'un conducteur qui en assure la mise à la terre et d'une fiche avec broche de terre. Cette fiche doit être branchée sur une prise convenable, correctement installée et reliée à la terre conformément aux codes et aux règlements du lieu.

AVERTISSEMENT. Un conducteur de terre mal raccordé présente des risques de choc électrique. Consulter un électricien ou un technicien d'entretien compétent en cas de doute à propos de la mise à la terre d'une prise quelconque. Ne pas modifier la fiche vendue avec l'appareil; si elle ne s'insère pas dans la prise, faire installer une nouvelle prise par un électricien compétent.

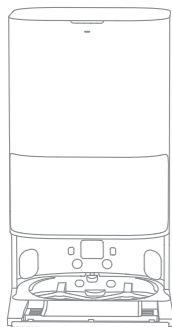
Cet appareil destiné à un circuit nominal de 120 V est muni d'une fiche de terre semblable à celle illustrée comme ci-dessous. L'appareil doit être branché sur une prise ayant la même configuration que la fiche. Aucun adaptateur ne devrait être utilisé avec cet appareil.



Contenu de l'emballage



Robot

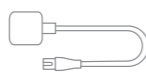


Station de base

Autres accessoires



Brosse latérale



Cordon d'alimentation



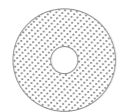
Mode d'emploi



Plaque d'extension de rampe de station de base



Réservoir détergent automatique (pré-installé)



Lingette × 2 (pré-installée)



Support de lingette × 2



Sac à poussière × 2 (1 pré-installé)

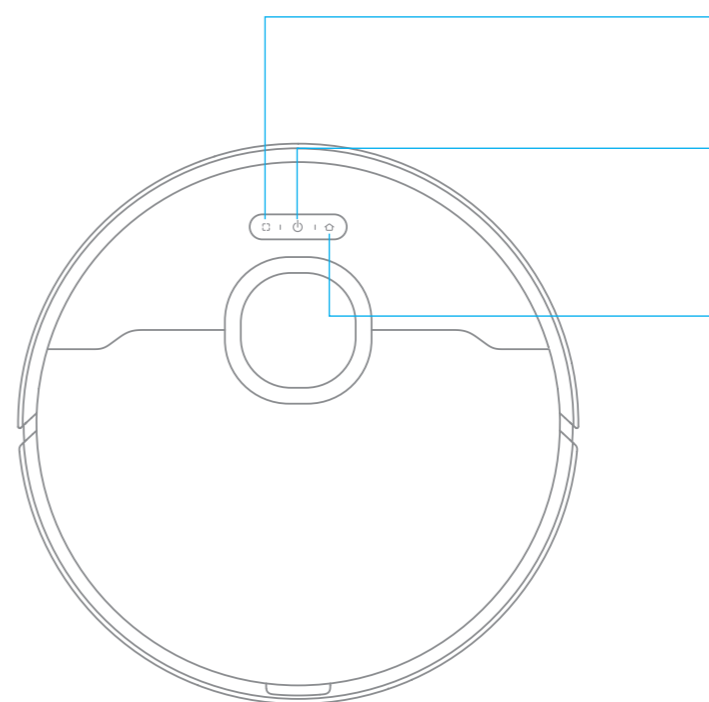


Outil de nettoyage



Solution nettoyante

Robot


Bouton de nettoyage ciblé

- Appuyez pour démarrer le nettoyage ciblé

Bouton d'alimentation/de nettoyage

- Appuyez et maintenez enfoncé pendant 3 secondes pour activer ou désactiver
- Appuyez pour démarrer le nettoyage après la mise en marche du robot

Bouton de retour à la station

- Appuyez pour renvoyer le robot à la station de base
- Appuyez pendant 3 secondes pour désactiver le verrouillage pour enfants

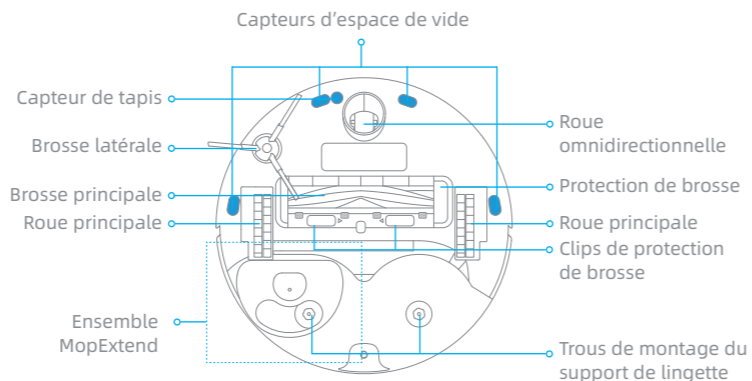
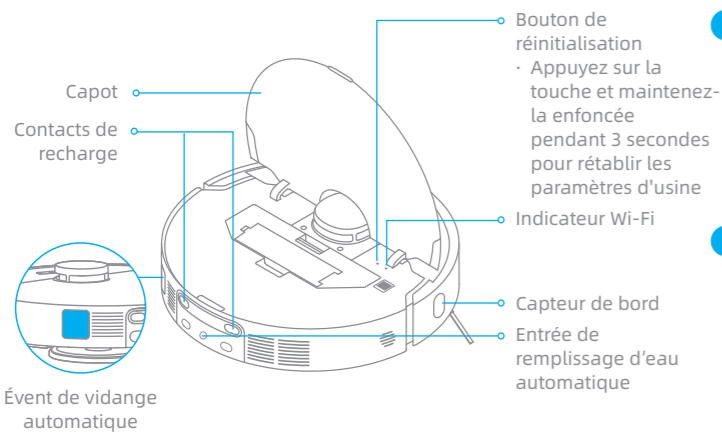
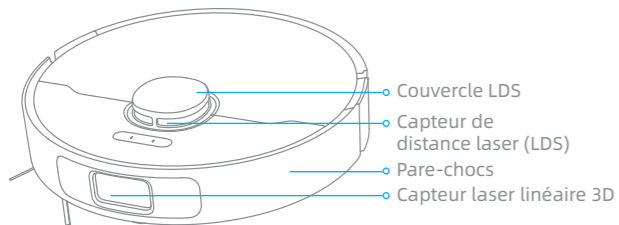
Indicateur d'état

- Blanc fixe : Nettoyage ou lavage terminé
- Clignotant lent blanc : Chargement (pas de batterie faible)
- Orange fixe : Veille avec batterie faible ou en pause avec batterie faible
- Clignotant lent orange : Chargement (batterie faible)
- Clignotant orange : Erreur

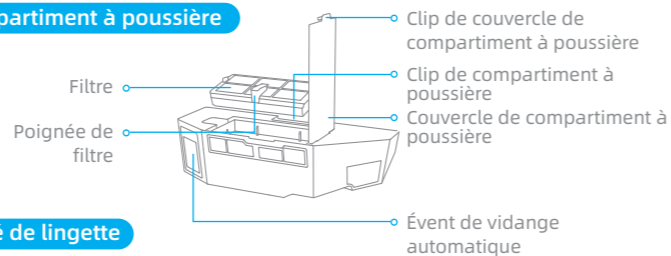
Remarque :

- Appuyez sur n'importe quel bouton du robot pour faire une pause pendant que le robot nettoie ou revient pour se charger.
- Le verrouillage de sécurité enfant peut être activé et désactivé par le biais de l'application Dreamehome.

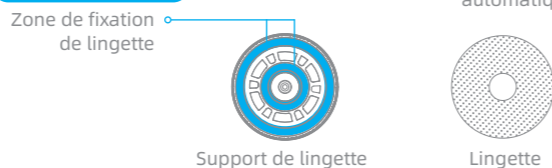
Robot et capteurs



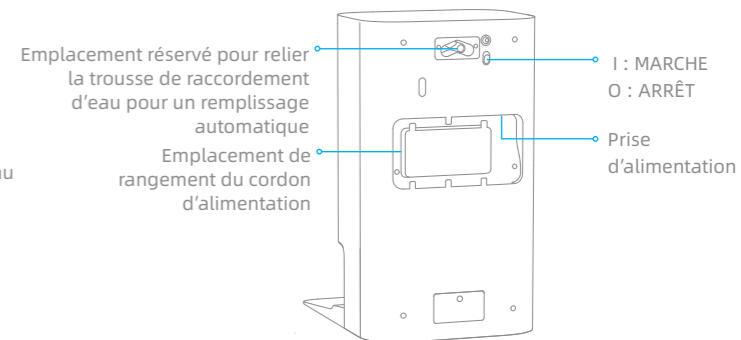
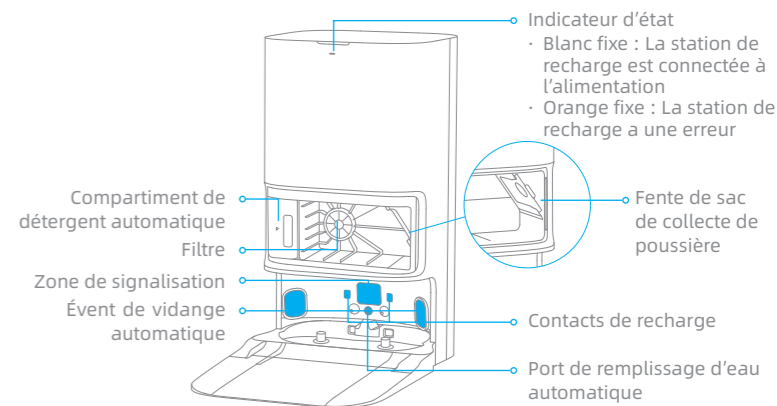
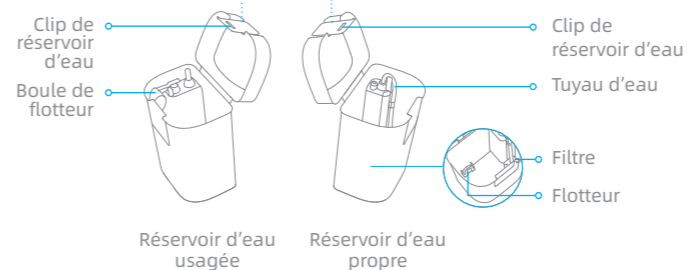
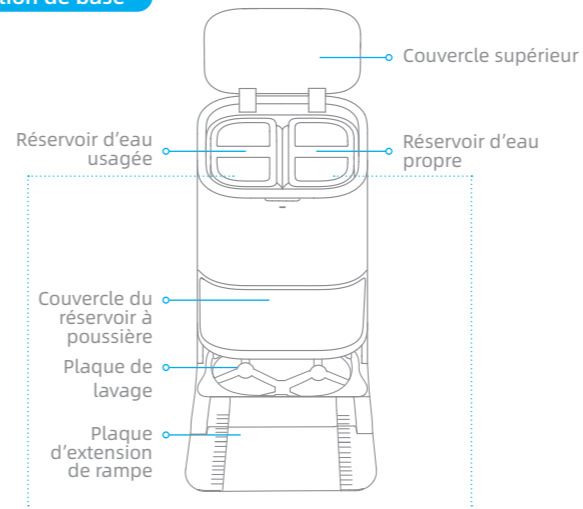
Compartiment à poussière



Unité de lingette



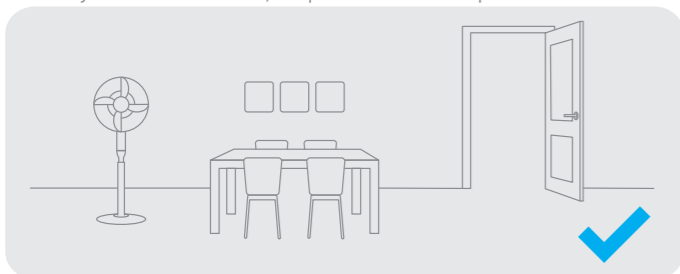
Station de base



Remarque : Le kit de raccordement d'eau pour le remplissage et la vidange automatique doit être acheté séparément. (Uniquement disponible dans certaines régions)



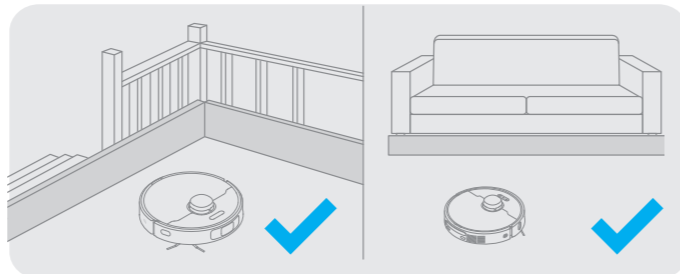
Avant de procéder au nettoyage, éloignez les objets instables, fragiles, précieux ou dangereux, et ramassez les câbles, les chiffons, les jouets, les objets durs et pointus qui se trouvent sur le sol, afin d'éviter que le robot ne se coince dedans, ne les raye ou ne les renverse, ce qui entraînerait des pertes.



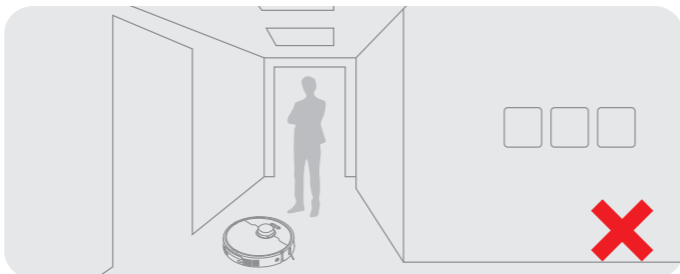
Ouvrez la porte de la pièce à nettoyer et placez les meubles dans un espace approprié pour laisser plus d'espace.

Remarque :

- Lorsque vous utilisez le robot pour la première fois, suivez-le pendant le nettoyage pour éliminer tout obstacle potentiel à temps.
- N'aspirez pas d'objets durs tels que des pierres, des billes d'acier et des pièces de jouets, ni d'objets pointus tels que des déchets de construction, des débris de verre et des clous, au risque d'égratigner le plancher.



Avant le nettoyage, placez une barrière physique au bord de l'escalier et du canapé pour assurer la sécurité et faciliter le fonctionnement du robot.

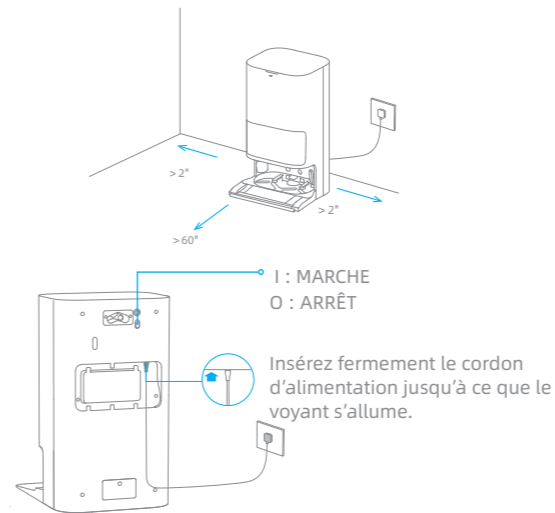


Pour éviter que le robot ne reconnaisse pas les zones à nettoyer, ne vous tenez pas devant le robot, ni dans un seuil, un couloir ou des endroits étroits.

Avant l'utilisation

1. Placez la station de recharge et branchez-la à une prise électrique

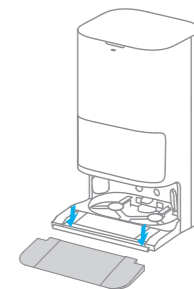
Placez la station de recharge dans un endroit aussi dégagé que possible avec un bon signal Wi-Fi. Retirez tous les objets situés à moins de 60° (1,5 m) devant et à 2" (5 cm) de chaque côté de la station d'accueil. Insérez le cordon d'alimentation dans la station de base et branchez-le dans la prise.



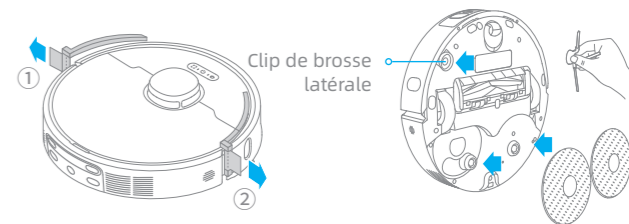
Remarque :

- Assurez-vous que rien ne peut perturber la zone de signalisation.
- Pour éviter que les taches d'eau ne mouillent les planchers de bois ou les tapis, il est recommandé de placer la station de base sur des sols en carrelage ou en marbre.


2. Installation de la plaque d'extension de la rampe

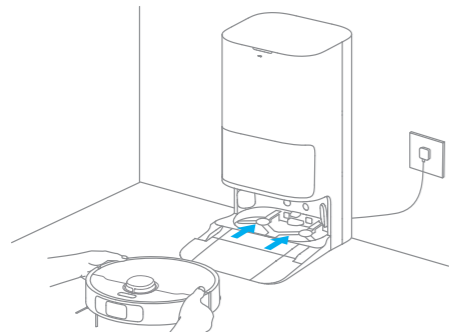


3. Retirez les protections du robot et installez la brosse latérale et l'unité de lavage



4. Connectez le robot à la station de recharge

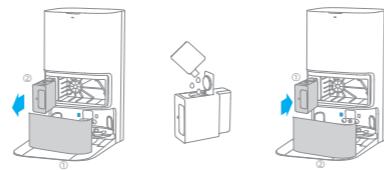
Appuyez sur le bouton du robot  et maintenez-le enfoncé pendant 3 secondes pour le mettre en marche. Placez le robot sur la station de recharge en orientant l'unité de lavage vers la plaque de lavage. Ensuite, vous entendrez une notification vocale lorsque le robot sera branché avec succès à la station de base.



Remarque : Il est recommandé de recharger complètement le robot avant sa première utilisation. Lorsque le robot ne peut pas être activé une fois la batterie déchargée, connectez manuellement le robot à la station de base pour le recharger.

5. Ajouter la solution de nettoyage (Section du fluide de nettoyage)

- (1) Retirez le couvercle du réservoir à poussière et sortez le réservoir de détergent automatique.
- (2) Ouvrez le couvercle supérieur du compartiment et ajoutez la solution de nettoyage.
- (3) Fermez le couvercle du compartiment, remettez-le dans la station d'accueil, puis réinstallez le couvercle du réservoir à poussière. Le nettoyant sera ajouté automatiquement pendant le fonctionnement.



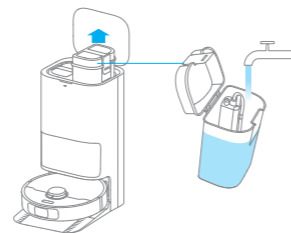
Remarque :

- Le réservoir de détergent automatique peut être rempli avec une solution de nettoyage pour l'utilisation. N'ajoutez aucun liquide autre que le nettoyant spécifiquement approuvé pour éviter tout dysfonctionnement de la station de base.
- Installez le compartiment à détergent automatique jusqu'à ce qu'il s'enclenche.

AVERTISSEMENT : Pour réduire les risques d'incendie et de choc électrique dus à l'endommagement des composants internes, n'utilisez que le liquide de nettoyage Dreame Trading (Tianjin) Co., Ltd. (pour Dreame L10s Ultra Gen 2) destiné à être utilisé avec cet appareil.

6. Ajouter de l'eau dans le réservoir d'eau propre

Retirez le réservoir d'eau propre de la station de base et remplissez-le d'eau propre. Ensuite, réinstallez-le dans la station de base.

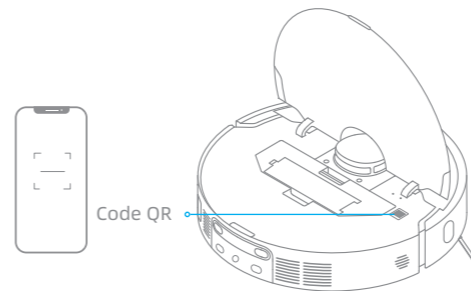


Remarque : N'ajoutez pas d'eau chaude dans le réservoir d'eau, car cela pourrait entraîner une déformation du réservoir.

Connexion avec l'application Dreamehome

1. Téléchargez l'application Dreamehome

Scannez le code QR sur le robot ou recherchez « Dreamehome » dans l'app store pour télécharger et installer l'application.



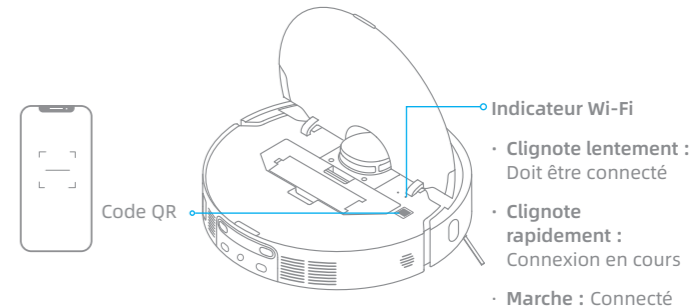
Remarque :

- Seul le Wi-Fi 2,4 GHz est pris en charge.
- En raison des mises à niveau du logiciel de l'application, les opérations réelles peuvent différer des instructions de ce manuel. Veuillez suivre les instructions selon la version actuelle de l'application.

2. Ajouter un appareil



Ouvrez l'application Dreamehome, appuyez sur « Scannez le code QR pour vous connecter », puis scannez à nouveau le même code QR sur le robot pour ajouter l'appareil. Suivez les messages d'instructions pour finaliser la connexion Wi-Fi.

Remarque : Si vous souhaitez réinitialiser le Wi-Fi, répétez l'étape 2, puis suivez les instructions pour terminer la connexion Wi-Fi.



Conseils d'utilisation

Activer/Désactiver

Appuyez sur le bouton  et maintenez-le enfoncé pendant 3 secondes pour mettre le robot en marche. L'indicateur d'alimentation doit être allumé. Placez le robot sur la station de base, le robot doit s'activer automatiquement et commencer à se recharger. Pour éteindre le robot, éloignez-le de la station de base et appuyez sur le bouton  pendant 3 secondes.

Cartographie rapide

Après avoir configuré le réseau pour la première fois, suivez les instructions de l'application pour créer rapidement une carte. Le robot commencera à cartographier sans nettoyage. Lorsque le robot retourne à la station de base, le processus de cartographie est terminé et la carte sera automatiquement enregistrée.

Pause/Veille

Lorsque le robot fonctionne, appuyez sur n'importe quel bouton pour le mettre en pause. Si le robot est mis en pause pendant plus de 10 minutes, il passe automatiquement en mode veille. Tous les indicateurs sur le robot s'éteindront. Appuyez sur n'importe quel bouton du robot ou utilisez l'application pour réactiver le robot.

Remarque : Si le robot est mis en pause et placé sur la station de recharge, la tâche de nettoyage en cours se terminera.

Reprise automatique du nettoyage

Si la batterie est trop faible, le robot retournera automatiquement à la station de base pour se recharger. Après avoir rechargé la batterie au niveau approprié, il reprendra les tâches de nettoyage inachevées.

Remarque : Pour utiliser cette fonction, veuillez l'activer dans l'application.


Mode Ne pas déranger (DND)

Lorsque le robot est réglé sur le mode Ne pas déranger (DND), le robot ne pourra pas reprendre le nettoyage et l'indicateur d'alimentation s'éteindra. Le mode DND est désactivé par défaut à l'usine. Vous pouvez utiliser l'application pour activer le mode DND ou modifier la période DND. La période DND est de 22h00 à 8h00 par défaut.



Remarque :

- Les tâches de nettoyage programmées seront effectuées comme d'habitude pendant la période DND.
- Le robot reprendra le nettoyage là où il s'était arrêté après l'expiration de la période DND.

Nettoyage de zone délimitée

Lorsque le robot est en veille, appuyez brièvement sur le bouton  pour activer le mode de nettoyage ciblé. Dans ce mode, le robot nettoie une zone de forme carrée de 60 po (1,5 m) x 60 po (1,5 m) autour de lui et revient à son point de départ une fois le nettoyage de la zone terminé.

Redémarrage du robot


Si le robot cesse de répondre ou ne peut pas être éteint, maintenez le bouton enfoncé  pendant 10 secondes pour l'éteindre de force. Ensuite, appuyez sur le bouton  et maintenez-le enfoncé pendant 3 secondes pour allumer le robot.

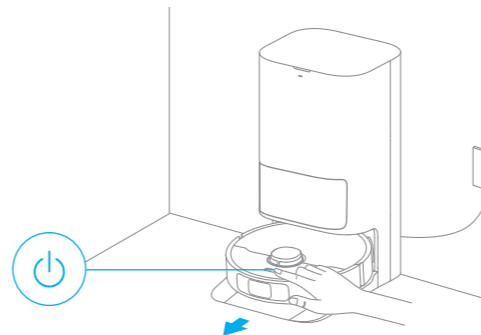
Conseils d'utilisation

Aspirateur et lavage

Remarque : Lors de la première utilisation de l'unité de lavage, le robot effectue la tâche d'aspiration et de lavage par défaut.

1. Commencez le nettoyage

Appuyez sur le bouton  du robot ou utilisez l'application pour faire démarrer le robot depuis la station de base. Ensuite, le robot planifiera l'itinéraire de nettoyage optimal et effectuera la tâche de nettoyage en fonction de la carte créée.

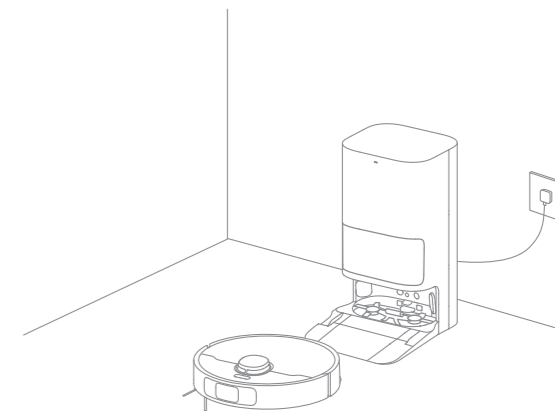


Remarque :

- Pour s'assurer que le robot peut facilement retourner à la station d'accueil après le nettoyage, il est recommandé de démarrer le robot à partir de la station d'accueil.
- Les lingettes de lavage seront nettoyées avant que le robot ne commence à laver, veuillez patienter.
- Ne déplacez pas la station d'accueil, le réservoir d'eau propre, le réservoir d'eau usagée ou la plaque de lavage pendant le fonctionnement.

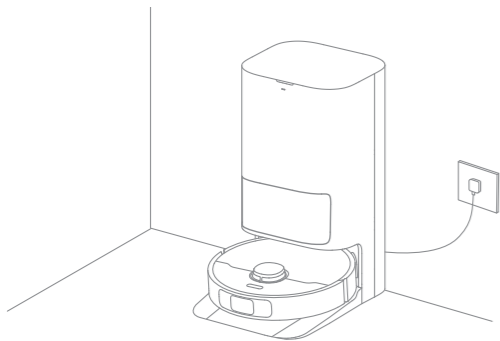
2. Lavage de lingette automatique

Lors du lavage, le robot retournera automatiquement à la station de base pour laver les lingettes en fonction de la fréquence de nettoyage spécifiée dans l'application. La station de base remplira automatiquement le réservoir d'eau du robot et le robot reprendra le nettoyage.



3. Vidange automatique du bac à poussière et nettoyage et séchage des lingettes de lavage

Une fois que le robot a terminé une tâche de nettoyage et qu'il est retourné à la station de base pour se recharger, la station de base commencera automatiquement à vider le compartiment à poussière. Ensuite, elle nettoiera et séchera les lingettes.



Remarque :

- Si la fonction de vidange automatique est désactivée dans l'application, la station de base ne videra pas automatiquement le compartiment à poussière.
- La station d'accueil videra le compartiment à poussière en fonction des réglages dans l'application.

4. Nettoyez le réservoir d'eau usagée

Une fois que le robot a terminé sa tâche, veuillez nettoyer le réservoir d'eau usagé pour éviter les odeurs.

Lavage après aspiration

Activez la fonction de nettoyage après l'aspiration dans l'appli, et le robot soulèvera automatiquement l'ensemble de l'unité de lavage pour aspirer le plancher. Une fois l'aspiration terminée, le robot retournera vider le compartiment à poussière, puis commencera à laver après avoir abaissé automatiquement l'unité de lingette.

Aspirateur uniquement

Activez la fonction d'aspiration dans l'appli, et le robot soulèvera automatiquement l'ensemble de l'unité de lavage et commencera à aspirer.

Lavage uniquement

Activez la fonction de nettoyage dans l'application et le robot vérifiera si l'unité de lavage est installée. Sinon, installez manuellement l'unité de lingette, puis le robot commencera automatiquement le lavage.

Entretien de routine

Pièces

Pour maintenir le robot en bon état, il est recommandé de se référer à l'utilisation des accessoires dans l'application ou au tableau suivant pour l'entretien de routine.

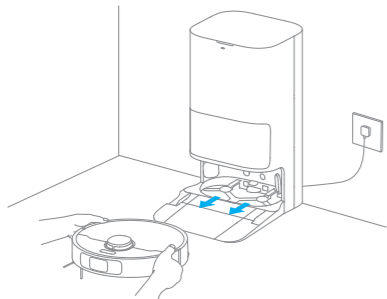
Pièce	Fréquence d'entretien	Période de remplacement
Réservoir d'eau usagée	Après chaque utilisation	/
Réservoir d'eau propre	Une fois toutes les 2 semaines	Tous les 6 à 12 mois
Brosse principale		Tous les 3 à 6 mois
Filtre du compartiment à poussière		/
Brosse latérale		
Support de lingette		/
Plaque de lavage	Une fois par mois	/
Zone de signalisation de la station de base		
Contacts de recharge		
Évent de vidange automatique		
Roue omnidirectionnelle		
Capteur de bord		
Capteur de distance laser (LDS)		
Capteur laser linéaire 3D		

Pièce	Fréquence d'entretien	Période de remplacement
Capteur de tapis	Une fois par mois	/
Capteurs d'espace de vide		
Pare-chocs		
Entrée de remplissage d'eau automatique du robot		
Dessous du robot		
Compartiment à poussière	Nettoyez au besoin	
Sac à poussière	/	Tous les 2 à 4 mois
Lingette		Tous les 1 à 3 mois

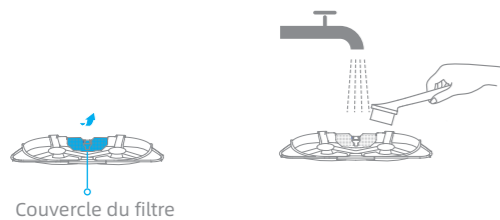
Remarque : La fréquence de remplacement dépendra de votre utilisation du robot. Si une exception se produit en raison de circonstances particulières, les pièces doivent être remplacées.

Base de la plaque de lavage

1. Retirez le robot de la station de recharge.



2. Retirez la plaque de lavage et ouvrez le couvercle du filtre. Rincez la plaque de lavage à l'eau claire et nettoyez-la avec l'outil de nettoyage fourni. Après le nettoyage, refermez le couvercle et essuyez la plaque de lavage avec un chiffon doux et sec.

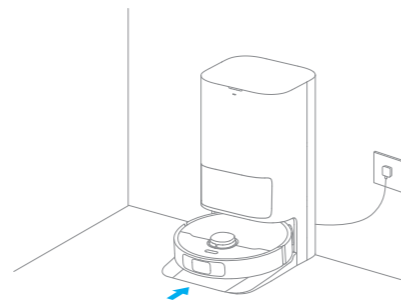


Couvercle du filtre

3. Essuyez la base de la plaque de lavage et remettez la plaque de lavage dans la station de recharge.



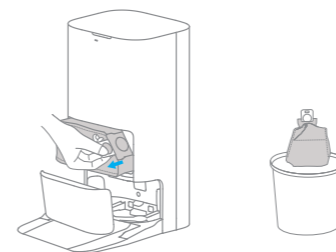
4. Utilisez l'application ou appuyez brièvement sur le bouton  sur le robot pour le faire revenir à la station de recharge.



Remarque : Pendant le nettoyage, ne ramenez pas le robot à la station de base.

Sac à poussière

1. Retirez le couvercle du réservoir à poussière et jetez le sac à poussière.

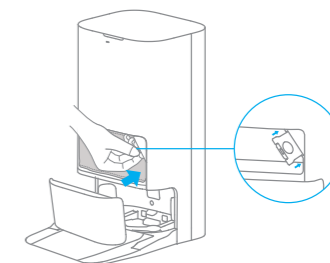


Remarque : Tirez sur la poignée pour verrouiller le sac à poussière et empêcher la poussière et les débris de tomber accidentellement.

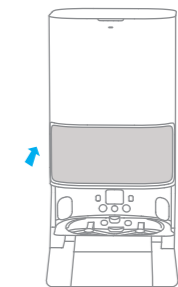
2. Retirez la poussière et les débris du filtre avec un chiffon sec.



3. Installez un nouveau sac à poussière.



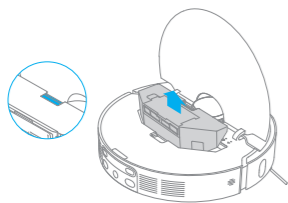
4. Réinstallez le couvercle du réservoir à poussière.



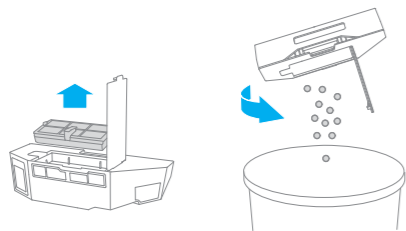
Entretien de routine

Compartment à poussière et filtre

1. Ouvrez le couvercle du robot, puis appuyez sur le clip du compartiment à poussière pour retirer le compartiment à poussière.



2. Ouvrez le couvercle du bac à poussière, retirez le filtre, puis videz le bac à poussière comme indiqué sur le dessin.

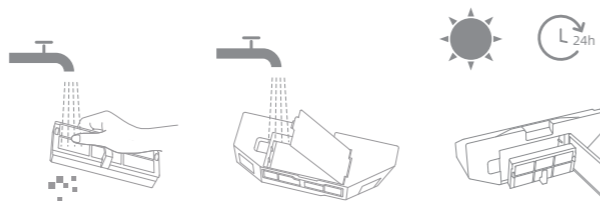


3. Tapez doucement sur le panier du filtre pour enlever la saleté.



Remarque : N'essayez pas de nettoyer le filtre avec une brosse, les doigts ou des objets pointus pour éviter de l'endommager.

4. Rincez le compartiment à poussière et le filtre à l'eau et séchez-les complètement avant de les réinstaller.



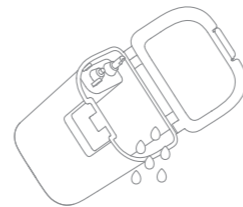
Remarque :

- Rincez le compartiment à poussière et le filtre uniquement à l'eau claire. N'utilisez aucun détergent.
- Utilisez le compartiment à poussière et le filtre uniquement lorsqu'ils sont complètement secs.

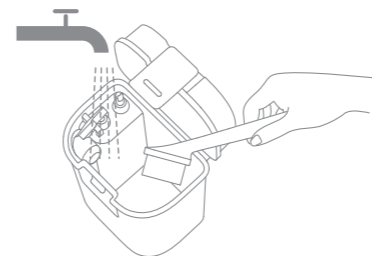
Entretien de routine

Réservoir d'eau usagée

1. Retirez le réservoir d'eau usagée, ouvrez son couvercle et déversez l'eau usagée.



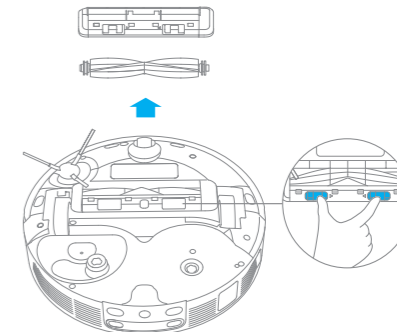
2. Rincez le réservoir d'eau usagée à l'eau claire et utilisez l'outil de nettoyage fourni pour nettoyer la paroi intérieure du réservoir d'eau usagée.



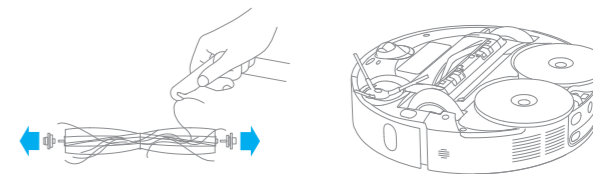
Remarque : La boule flottante dans le réservoir d'eau usagée est une pièce mobile. N'appliquez pas trop de force lors du nettoyage pour éviter de l'endommager.

Brosse principale

1. Appuyez sur les clips de la plaque de protection de la brosse pour retirer la plaque de protection de la brosse et soulevez la brosse pour la sortir du robot.



2. Retirez les couvercles de brosse aux deux extrémités de la brosse comme indiqué sur la figure. Utilisez l'outil de nettoyage fourni pour enlever les poils emmêlés dans la brosse. Réinstallez les couvercles de brosse aux deux extrémités de la brosse, puis réinstallez la brosse. Poussez sur la plaque de protection de la brosse pour la verrouiller en place.



Entretien de routine

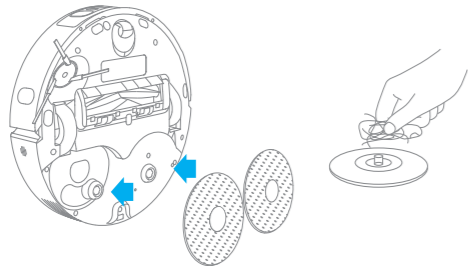
Brosse latérale

Retirez et nettoyez la brosse latérale.

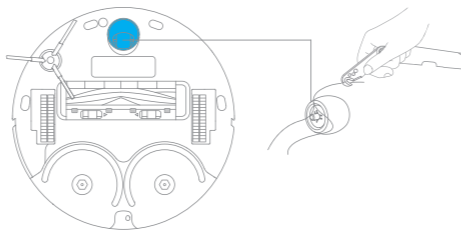


Support de lingette

Retirez et nettoyez le support de la lingette.



Roue omnidirectionnelle



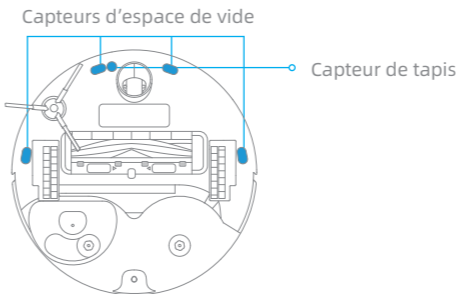
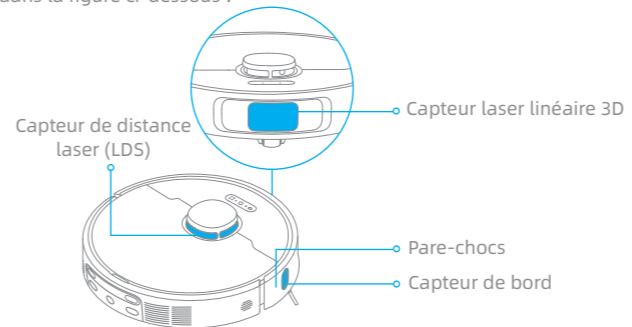
Remarque :

- Utilisez un outil tel qu'un petit tournevis pour séparer l'essieu et le pneu de la roue omnidirectionnelle. N'utilisez pas une force excessive.
- Rincez la roue omnidirectionnelle sous l'eau courante et remettez-la après l'avoir complètement séchée.

Entretien de routine

Capteurs du robot

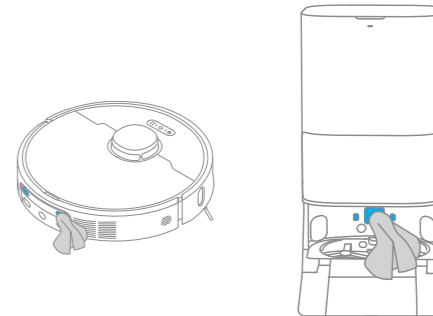
Essuyez les capteurs du robot à l'aide d'un chiffon doux et sec, comme illustré dans la figure ci-dessous :



Remarque : Un chiffon humide peut endommager les éléments sensibles à l'intérieur du robot et de la station de base. Veuillez utiliser un chiffon sec pour le nettoyage.

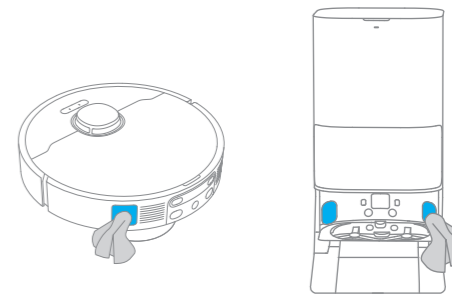
Contacts de recharge et zone de signalisation

Nettoyez les contacts de recharge et la zone de signalisation avec un chiffon doux et sec.



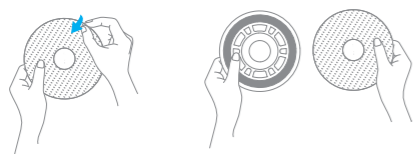
Évent de vidange automatique

Nettoyez les événements de vidange automatique du robot et de la station de base avec un chiffon doux et sec.



Lingette



Retirez la lingette du support de lingette pour la remplacer.


**Batterie**

Le robot contient une batterie lithium-ion haute performance. Assurez-vous que la batterie reste bien chargée pour une utilisation quotidienne afin de maintenir des performances optimales de la batterie. Si le robot n'est pas utilisé pendant une période prolongée, désactivez-le et rangez-le. Pour éviter tout dommage dû à une décharge excessive, le robot doit être rechargé au moins une fois tous les trois mois.

Dépannage

Problème	Solution
Le robot ne démarre pas.	La batterie est faible. Rechargez le robot sur la base et réessayez. La température de la batterie est trop basse ou trop élevée. Il est recommandé de faire fonctionner l'appareil à une température comprise entre 0 °C (32 °F) et 40 °C (104 °F).
Le robot ne se charge pas.	La station de base n'est pas connectée à l'alimentation, veuillez vous assurer que les deux extrémités de son cordon d'alimentation sont correctement branchées. Le contact entre les bornes de charge de la station de base et le robot est mauvais, veuillez nettoyer les contacts de charge. Vérifiez s'il y a un objet étranger au niveau du connecteur du robot et retirez l'objet étranger le cas échéant.
Le robot ne parvient pas à se connecter au Wi-Fi.	Le mot de passe du réseau Wi-Fi est incorrect. Assurez-vous que le mot de passe utilisé pour vous connecter à votre réseau Wi-Fi est correct. Le robot ne prend pas en charge une connexion Wi-Fi 5 GHz. Assurez-vous que le robot est connecté à une connexion Wi-Fi 2,4 GHz. Le signal Wi-Fi est faible. Assurez-vous que le robot se trouve dans une zone avec une bonne couverture Wi-Fi. Le robot n'est peut-être pas prêt à être configuré. Veuillez quitter et entrer à nouveau dans l'application, puis réessayer comme indiqué.
Le robot ne peut pas trouver et retourner à la station de base.	La station de base est déconnectée de l'alimentation ou déplacée lorsque le robot n'est pas dessus. Veuillez connecter la station de base à l'alimentation ou placer le robot sur la station de base pour le charger. Il y a trop d'obstacles autour de la station de base. Placez la station de recharge dans un endroit plus ouvert. Déplacer le robot peut causer un repositionnement, et il recréera une carte si le repositionnement échoue. Si le robot est trop éloigné de la station de base, il se peut qu'il ne puisse pas revenir automatiquement tout seul, auquel cas vous devrez placer manuellement le robot sur la station de base. Essuyez la zone de signalisation de la station de base pour éliminer la poussière ou les débris.
Le robot se coince devant la station de base et ne peut pas y retourner.	Dégagez tout obstacle à moins de 2" (5 cm) sur les côtés gauche et droit ou à moins de 60" (1,5 m) devant la station de base pour éviter que le robot ne soit bloqué. L'itinéraire de retour pour se recharger est bloqué, par exemple la porte est fermée. Le robot peut glisser si le sol devant la station de base est trop humide. Si c'est le cas, nettoyez l'excès d'eau avant de réessayer. Il est recommandé de déplacer la station de base à un autre endroit et de réessayer. Assurez-vous que la plaque d'extension de rampe est correctement installée.

Problème	Solution
Le robot ne s'éteint pas.	Le robot ne peut pas être éteint lorsqu'il est en charge. Il est recommandé d'éloigner le robot de la station de base, puis d'appuyer sur le bouton  et de le maintenir enfoncé pendant 3 secondes pour l'éteindre. Si le robot ne peut pas être éteint en effectuant l'étape 1, appuyez sur le bouton  et maintenez-le enfoncé pendant 10 secondes pour éteindre de force le robot. Si le problème persiste, veuillez contacter l'équipe du service après-vente.
La vitesse de charge est lente.	Il faut environ 3,5 heures pour charger complètement le robot lorsque sa batterie est faible. Si vous utilisez le robot à des températures en dehors de la plage spécifiée, la vitesse de charge ralentira automatiquement pour prolonger la durée de vie de la batterie. Les contacts de charge du robot et de la base peuvent être sales, veuillez les essuyer avec un chiffon sec.
Le bruit augmente quand le robot fonctionne.	Vérifiez si le filtre du compartiment à poussière est bouché. Si c'est le cas, nettoyez-le ou remplacez-le. Un objet dur peut se coincer dans la brosse principale ou le compartiment à poussière. Vérifiez et retirez tout objet dur. La brosse principale ou la brosse latérale peuvent être coincées. Vérifiez et retirez tous les objets étrangers. Basculez le mode d'aspiration sur Standard ou Silencieux.
Le robot se déplace sans suivre l'itinéraire défini.	Les objets tels que des cordons d'alimentation et les pantoufles doivent être rangés avant d'utiliser le robot. Travailler sur des surfaces mouillées et glissantes peut faire glisser la roue principale. Il est recommandé de sécher toutes les zones humides avant d'utiliser le robot. Essuyez le capteur laser linéaire 3D du robot à l'aide d'un chiffon propre et doux pour qu'il reste propre et non obstrué.
Le robot n'a pas nettoyé les pièces à nettoyer.	Assurez-vous que les portes des pièces à nettoyer sont ouvertes. Vérifier s'il y a un seuil supérieur à environ 0,8" (2 cm) à la porte de la pièce. Le robot ne peut pas franchir des seuils ou des marches élevés. L'endroit devant la pièce à nettoyer peut être humide et glissant, ce qui fait que le robot glisse et fonctionne anormalement. Séchez le sol avant d'utiliser le robot.

Problème	Solution
Le robot ne reprend pas le nettoyage après la charge.	Vérifiez que le robot n'est pas réglé sur le mode Ne pas déranger (DND), ce qui l'empêche de reprendre le nettoyage. Le robot ne reprendra pas le nettoyage après avoir placé manuellement le robot sur la station de base ou avoir envoyé le robot se recharger via l'application ou le bouton  .
La station ne peut pas vider automatiquement le compartiment à poussière.	Vérifiez si le sac à poussière dans le réservoir à poussière est plein. Si le sac à poussière n'est pas plein, vérifiez s'il y a une obstruction au niveau des événements de vidange automatique du robot, de la station de base ou du compartiment à poussière. Le cas échéant, nettoyez la pièce bloquée à temps.
Le niveau d'eau dans la plaque de lavage est anormal.	Vérifiez si le joint du réservoir d'eau usagée est desserré ou mal installé et réinstallez-le manuellement si c'est le cas. Si le problème persiste, veuillez contacter l'équipe du service après-vente. Appuyez doucement sur le réservoir d'eau usagée pour vous assurer qu'il est correctement installé. Retirez la plaque de lavage et vérifiez si le tuyau de vidange est bouché et nettoyez-le. Vérifiez la solution de nettoyage. N'ajoutez aucun liquide autre que la solution de nettoyage spécifiquement approuvée.
Le support de la lingette est surélevé anormalement.	Retirez le support de lingette pour vérifier s'il y a un objet étranger coincé dedans et essayez de redémarrer le robot. Si le problème persiste, veuillez contacter l'équipe du service après-vente.
Il y a de l'eau sous le réservoir d'eau propre ou autour du joint.	Lorsque vous videz le réservoir d'eau propre, de l'eau dans le tuyau peut rester sous le réservoir ou autour du joint. C'est normal. Essayez avec un chiffon sec.

Pour des services supplémentaires, veuillez nous contacter via support.us@dreame.tech
Téléphone : +1 (866) 977-5177

Robot

Modèle	RLL32SE/RLL32SE-1
Temps de charge	Environ 3,5 heures
Tension nominale	14,4 V $\overline{=}$
Puissance nominale	75 W
Fréquence de fonctionnement	2400-2483,5 MHz
Puissance de sortie maximale	< 20 dBm

Station de base

Modèle	RCLE0304/RCLE0304-3
Puissance nominale	120 V ~ 60 Hz 4,1 A
Sortie nominale	20 V DC, 2 A

Dans des conditions normales d'utilisation, cet équipement doit être maintenu à une distance de séparation d'au moins 20 cm entre l'antenne et le corps de l'utilisateur.

INSTRUCCIONES IMPORTANTES DE SEGURIDAD

Cuando utiliza un aparato eléctrico, siempre debe seguir las precauciones básicas, incluidas las siguientes:

LEA TODAS LAS INSTRUCCIONES ANTES DE USAR (ESTE APARATO), El incumplimiento de las advertencias e instrucciones puede provocar descarga eléctrica, incendio y/o lesiones graves.

GUARDE ESTAS INSTRUCCIONES

Solo para uso doméstico.

ADVERTENCIA-Para reducir el riesgo de incendio, descarga eléctrica o lesiones:

- No lo utilice al aire libre o sobre superficies mojadas.
- No permita que se utilice como un juguete. Debe prestar mucha atención cuando se utiliza cerca de niños, mascotas o plantas.
- Use únicamente como se describe en este manual. Sólo utilice los accesorios recomendados por el fabricante.
- No lo utilice con el cable o enchufe dañado. Si el aparato no funciona correctamente, se ha caído, dañado, dejado al aire libre o sumergido en agua, remítalo a un centro de servicio.
- No tire ni transporte agarrando el cable, no use el cable como asa, no cierre puertas encima del cable ni pase el cable por bordes o esquinas afiladas. No pase el aparato por encima del cable. Mantenga el cable alejado de superficies calientes.
- No desenchufe tirando del cable. Para desenchufar, agarre el enchufe, no el cable.
- No manipule la base de carga, incluido el enchufe del cargador, ni los terminales del cargador con las manos mojadas.
- No coloque ningún objeto en las aberturas. No lo utilice si tiene alguna abertura bloqueada; manténgalo libre de polvo, pelusas, cabello y cualquier material que pueda reducir el flujo de aire.

Información de Seguridad

- Mantenga el cabello, la ropa holgada, los dedos y todas las partes del cuerpo alejados de las aberturas y las piezas móviles.
- Apague todos los controles antes de desenchufar.
- No lo use para limpiar líquidos inflamables o combustibles, como gasolina, ni lo use en zonas donde puedan estar presentes.
- Conéctelo únicamente a un tomacorriente correctamente puesta a tierra. Consulte las instrucciones de puesta a tierra.
- No limpie nada que se esté quemando o humeando, como cigarrillos, cerillas o cenizas calientes.
- Para reducir el riesgo de incendio y descarga eléctrica por daños en los componentes internos, use solo el detergente líquido de Dreame Trading (Tianjin) Co., Ltd. diseñado para uso de este electrodoméstico. Consulte la sección Detergente Líquido de este manual.
- No lo utilice sin la bolsa para el polvo.
- Evite el encendido involuntario. Asegúrese de que el interruptor esté apagado antes de conectarlo a la batería, levantarlo o transportarlo. Transportar el aparato con el dedo apoyado en el interruptor o energizar el aparato con el interruptor encendido puede causar accidentes.
- No utilice ni guarde el aparato en ambientes extremadamente calientes o fríos (debajo de 0°C/32 °F o por encima de 40°C/104 °F). Cargue el robot a una temperatura por encima de 0°C/32 °F y 40°C/104 °F.
- Desconecte la batería del aparato antes de realizar cualquier ajuste, cambiar accesorios o almacenar el aparato. Estas medidas preventivas de seguridad reducen el riesgo de encender por accidente el aparato.
- Recargue sólo con el cargador especificado por el fabricante. Un cargador adecuado para un tipo de batería puede provocar riesgo de incendio si se utiliza en otra batería.
- Use sus aparatos sólo con las baterías específicamente indicadas. El uso de cualquier otra batería puede provocar riesgo de lesiones e incendio.
- Cuando la batería no esté en uso, manténgala alejada de objetos metálicos, como clips de papel, monedas, llaves, clavos, tornillos u otros objetos metálicos pequeños que pueden provocar la conexión de los terminales. Un cortocircuito en los terminales de la batería puede provocar quemaduras o incendios.

Información de Seguridad

- Bajo condiciones abusivas, puede haber fugas de líquido en la batería; evite el contacto. Si ocurre contacto accidental, enjuague con agua. Si el líquido entra en contacto con los ojos, busque atención médica. El líquido derramado de la batería puede provocar irritación o quemaduras.
- No utilice una batería o un aparato dañado o modificado. Las baterías dañadas o modificadas pueden tener un comportamiento impredecible que resulte en fuego, explosión o lesiones.
- No exponga una batería o un aparato al fuego ni a temperaturas excesivas. La exposición al fuego o una temperatura superior a 130°C/266 °F puede provocar explosiones.
- Siga todas las instrucciones de carga y no cargue la batería o el aparato fuera del rango de temperatura indicado en las instrucciones. La carga incorrecta o a temperaturas fuera del rango indicado puede dañar la batería y aumentar el riesgo de incendio.
- Remita el servicio a un técnico calificado que utilice únicamente idénticas piezas de repuesto. Esto asegurará que se mantenga la seguridad del producto.
- No modifique ni intente reparar el aparato o la batería, excepto de la forma indicada en las instrucciones de uso y cuidado.
- Coloque los cables de otros aparatos fuera de la zona que va a limpiar.
- No opere la aspiradora en una habitación en la que duerme un bebé o un niño.
- No opere la aspiradora en una zona con velas encendidas u objetos frágiles en el suelo.
- No opere la aspiradora en una habitación con velas encendidas encima de aquellos muebles que la aspiradora pueda golpear accidentalmente.
- No permita que los niños se sienten encima de la aspiradora.
- No utilice la aspiradora sobre superficies húmedas.
- Usar sólo con la unidad de alimentación RCLE0304/RCLE0304-3.
- Riesgo de lesiones. El cepillo puede comenzar a trabajar inesperadamente. Apague el aparato y quite el cepillo antes de limpiarlo o repararlo.
- Desenchúfelo antes de limpieza o mantenimiento.

Información de Seguridad

Este dispositivo cumple con la Parte 15 de la Normativa FCC / RSS exentos de licencia de Canadá para la innovación, la ciencia y el desarrollo económico. Su operación queda sujeta a las dos condiciones siguientes: (1) este dispositivo no deberá causar ninguna interferencia nociva. (2) este dispositivo deberá aceptar cualquier interferencia que reciba, incluyendo toda interferencia que pueda causarle un funcionamiento no deseado.

Cambios o modificaciones no aprobados expresamente por la parte responsable del cumplimiento podrían anular la autoridad del usuario para operar el equipo.

Este equipo ha sido probado y se ha determinado que cumple con los límites para un dispositivo digital de Clase B, de conformidad con la parte 15 de las Reglas de la FCC. Estos límites están diseñados para brindar una protección razonable contra interferencias dañinas en un edificio residencial. Este equipo genera usos y puede irradiar energía de radiofrecuencia y, si no se instala o utiliza de acuerdo con las instrucciones, puede causar interferencias dañinas en las comunicaciones por radio. Sin embargo, no hay garantía de que no se produzcan interferencias en una instalación en particular. Si este equipo causa interferencias dañinas en la recepción de radio o televisión, lo que se puede determinar con apagar y encender el equipo, se recomienda al usuario que intente corregir la interferencia mediante una o más de las siguientes medidas:

- Reorientar o reubicar la antena receptora.
- Aumentar la separación entre el equipo y el receptor.
- Conectar el equipo a una toma de un circuito diferente al que está conectado el receptor.
- Consultar al distribuidor o a un técnico experimentado con radio/TV para obtener ayuda.

Información de Seguridad

Recordatorio en relación con la máxima exposición admisible (MPE)

A fin de cumplir con los requisitos de FCC / IC en materia de exposición a la radiofrecuencia, se deberá mantener una distancia mínima de 8" (20 cm) o más entre la antena de este dispositivo y cualquier persona durante el funcionamiento. A fin de garantizar dicho cumplimiento, no se recomienda la utilización a una distancia inferior a la indicada.

Para desactivar el módulo Wi-Fi en el robot, encienda el robot. Coloque el robot sobre la base de carga. Asegúrese que los contactos de carga en el robot y los pines de la base de carga hagan una conexión.

Mantenga presionando el Botón de Tomacorriente del robot durante 20 segundos hasta que el módulo Wi-Fi se apague. Al apagar el módulo Wi-Fi, presione cualquier botón del robot para activar el módulo Wi-Fi.

---	Corriente continua
~	Corriente alterna

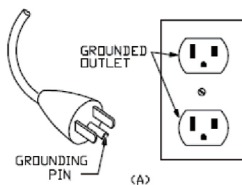
Este dispositivo cumple con las normas de radiación del DHHS, título 21 del CFR, capítulo 1, subcapítulo J.

I: ENCENDIDO

O: APAGADO

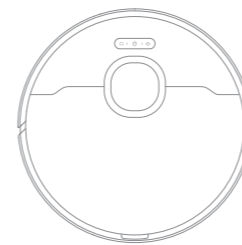
Este aparato debe estar conectado a tierra. Si funciona mal o se avería, la conexión a tierra proporciona una ruta de menor resistencia para la corriente eléctrica para reducir el riesgo de descarga eléctrica. Este aparato está equipado con un cable que tiene un conductor de puesta a tierra y un enchufe con puesta a tierra. El enchufe debe insertarse en un tomacorriente apropiado que esté correctamente instalado y conectado a tierra de acuerdo con todos los códigos y ordenanzas locales.

ADVERTENCIA: la conexión incorrecta del conductor de puesta a tierra puede provocar un riesgo de descarga eléctrica. Consulte a un electricista calificado o una persona de servicio si tiene dudas sobre si el tomacorriente está correctamente conectado a tierra. No modifique el enchufe provisto con el aparato; si no encaja en el tomacorriente, invite a un electricista cualificado a instalar un tomacorriente adecuado. Este aparato es diseñado para usarse en un circuito nominal de 120V y tiene un enchufe de puesta a tierra que se parece al enchufe que se ilustra a continuación. Asegúrese de que el aparato esté conectado a un tomacorriente que tenga la misma configuración que el enchufe. No se debe usar ningún adaptador con este aparato.



Descripción del producto

Contenidos del paquete



Robot

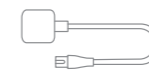


Base de carga

Otros accesorios



Cepillo lateral



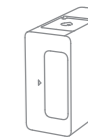
Cable de alimentación



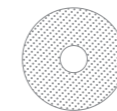
Manual del usuario



Placa de extensión de la rampa de la base de carga



Compartimento de detergente automático (preinstalado)



Almohadilla de trapeado x 2 (preinstalado)



Soporte de la almohadilla de trapeado x 2



Bolsa de polvo x 2 (preinstalado 1)

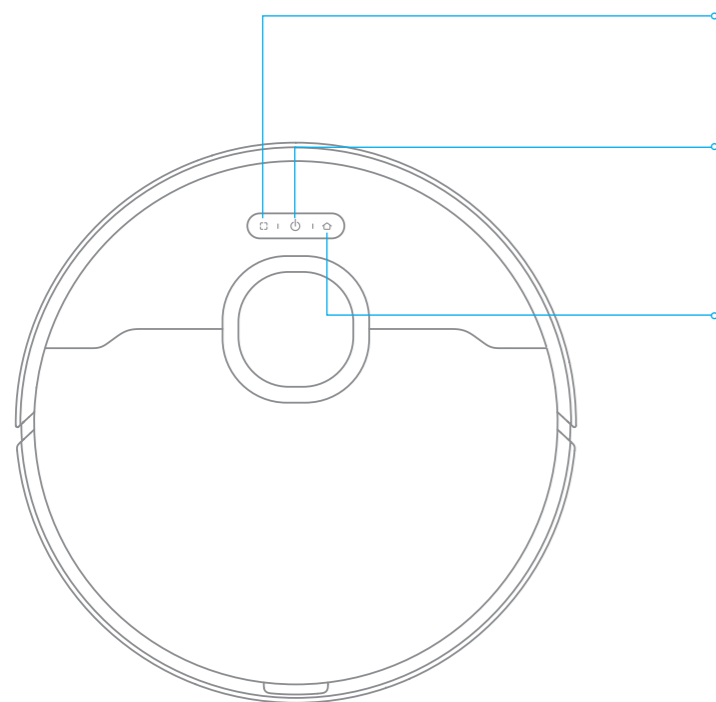


Herramienta de limpieza



Solución de limpieza

Robot



- Botón de limpieza de manchas**
 - Presione para iniciar la limpieza de manchas
- Botón de encendido/limpieza**
 - Presione y mantenga pulsado durante 3 segundos para encender o apagar
 - Presione para iniciar la limpieza después de encender el robot
- Botón de estacionar**
 - Presione para enviar el robot de regreso a la base de carga
 - Presione y mantenga pulsado durante 3 segundos para deshabilitar el bloqueo infantil

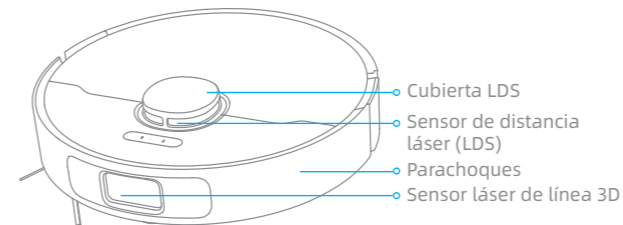
Indicador de estado

- Blanco sólido: Limpieza o aseo completado
- Respiración blanca: Cargando (no batería baja)
- Naranja sólido: En espera con batería baja o pausada con batería baja
- Respiración naranja: Cargando (batería baja)
- Naranja parpadeante: Error

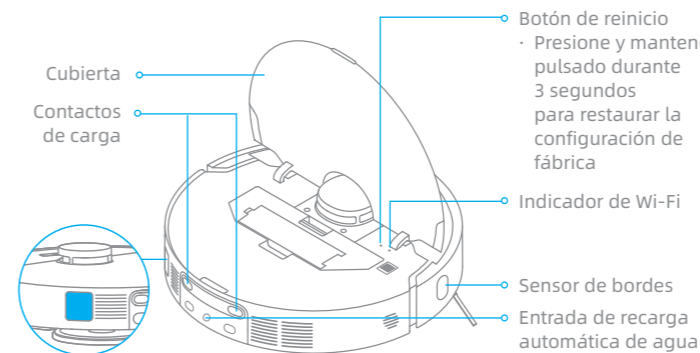
Nota:

- Presione cualquier botón en el robot para ponerlo en pausa mientras el robot está limpiando o retornando a cargar.
- El bloqueo infantil se puede habilitar/deshabilitar a través de la app Dreamehome.

Robot y sensores

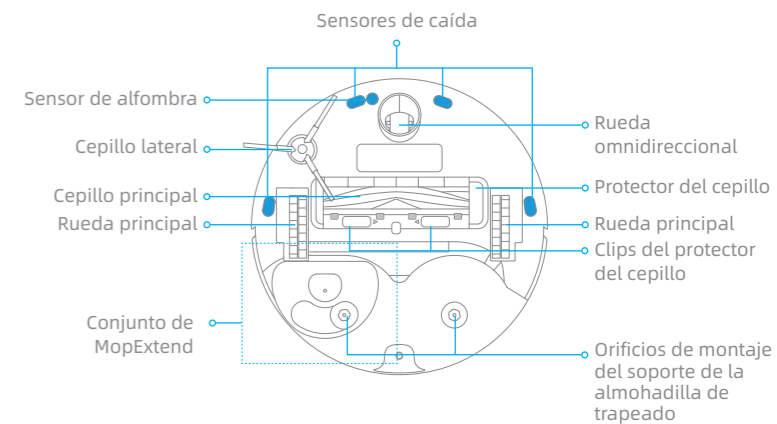


- Cubierta LDS
- Sensor de distancia láser (LDS)
- Parachoques
- Sensor láser de línea 3D

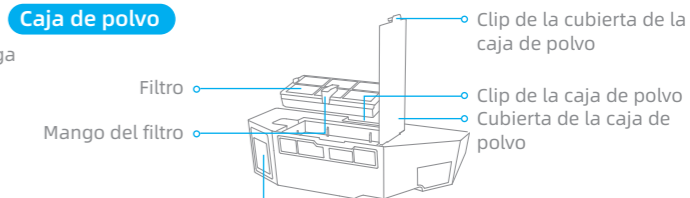


- Botón de reinicio
- Presione y mantenga pulsado durante 3 segundos para restaurar la configuración de fábrica
- Indicador de Wi-Fi
- Sensor de bordes
- Entrada de recarga automática de agua

Rejilla de ventilación de vaciado automático



- Sensores de caída
- Sensor de alfombra
- Cepillo lateral
- Cepillo principal
- Rueda principal
- Conjunto de MopExtend
- Rueda omnidireccional
- Protector del cepillo
- Rueda principal
- Clips del protector del cepillo
- Orificios de montaje del soporte de la almohadilla de trapeado

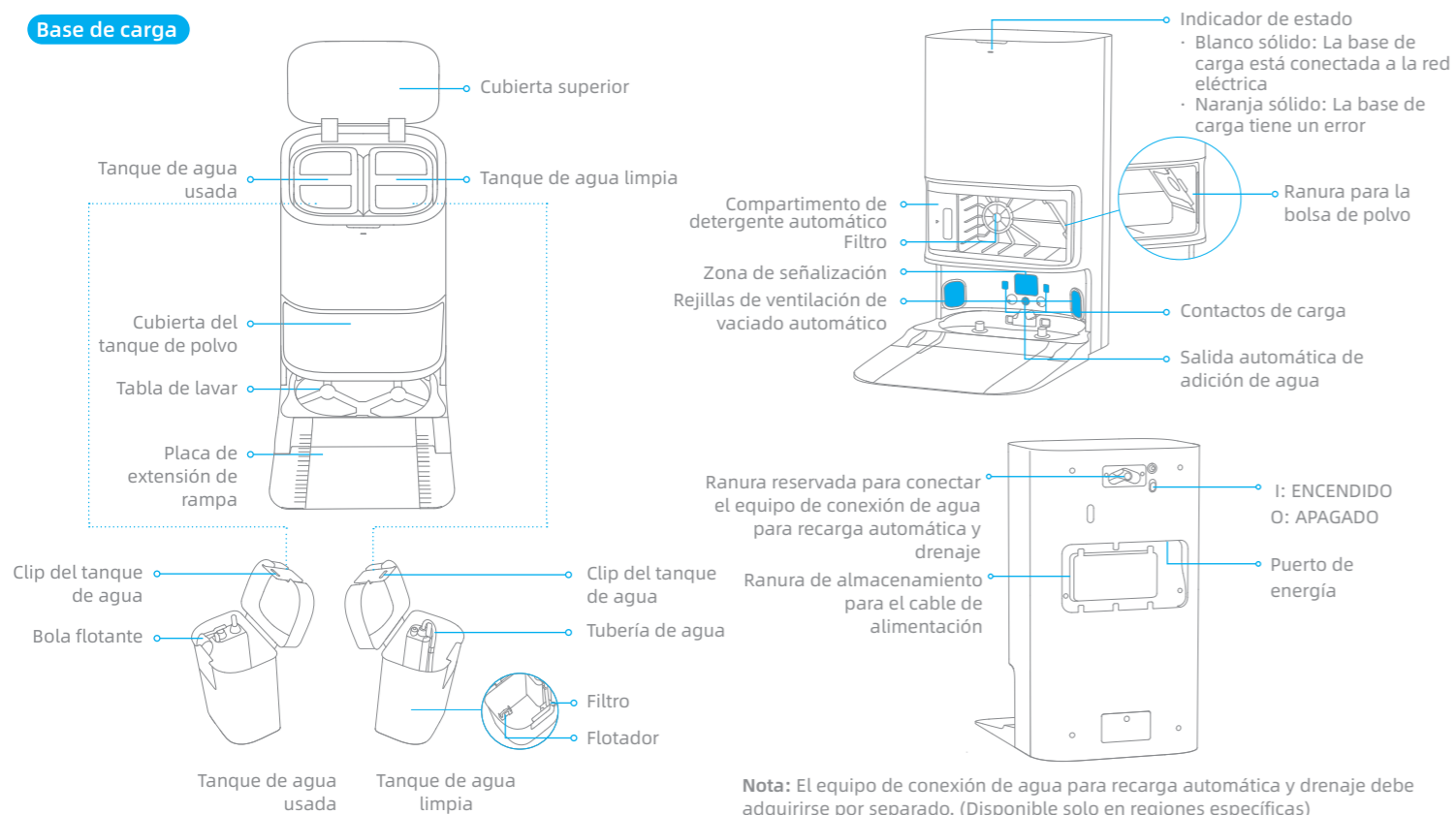
Caja de polvo

- Clip de la cubierta de la caja de polvo
- Clip de la caja de polvo
- Cubierta de la caja de polvo
- Filtro
- Mango del filtro

Conjunto del trapeador

- Rejilla de ventilación de vaciado automático
- Área de fijación de la almohadilla de trapeado
- Soporte de la almohadilla de trapeado
- Almohadilla de trapeado

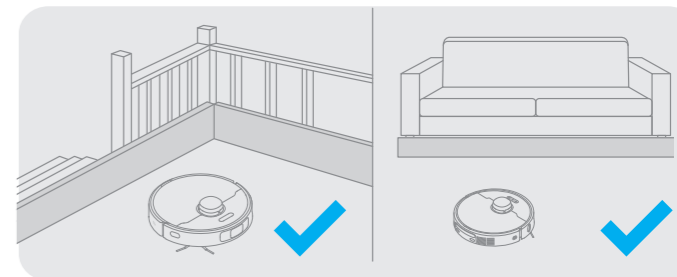
Base de carga



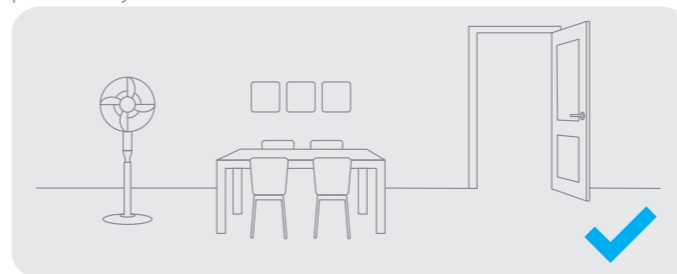
Preparando su hogar



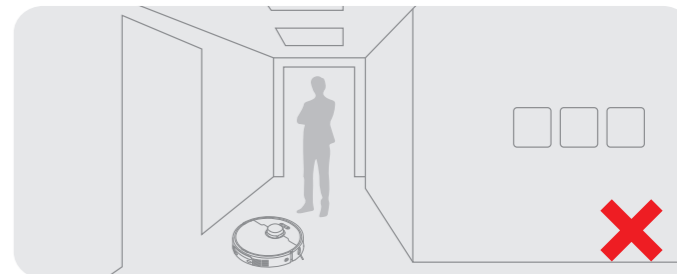
Antes de limpiar, retire todos los objetos inestables, frágiles, de valor o peligrosos y retire los cables, prendas, juguetes, objetos duros y con punta que estén en el suelo para evitar que se enreden, sean raspados o golpeados por el robot y se causen daños.



Antes de limpiar, coloque una barrera física en el borde de las escaleras y el sofá para garantizar el funcionamiento seguro y sin problemas del robot.



Abra la puerta de la habitación a limpiar y coloque los muebles en su lugar adecuado para dejar más espacio.



Para evitar que el robot no reconozca las áreas que necesitan ser limpiadas, no se pare frente al robot, umbral, pasillo o lugares estrechos.

Nota:

- Cuando se opere el robot por primera vez, sígalo mientras limpia para remover cualquier posible obstáculo oportunamente.
- No aspire objetos duros como piedras, bolas de acero y partes de juguetes, u objetos con punta como desechos de construcción, vidrios rotos o uñas; de lo contrario, el suelo puede rayarse.

Antes de usar

1. Coloque la base de carga y conéctela a un tomacorriente

Coloque la base de carga en un lugar lo más abierto posible con una buena señal Wi-Fi. Retire cualquier objeto que esté a menos de 60" (1,5 m) del frente y 2" (5 cm) de cada lado de la base de carga. Inserte el cable de alimentación en la base de carga y conéctelo a la toma de corriente.



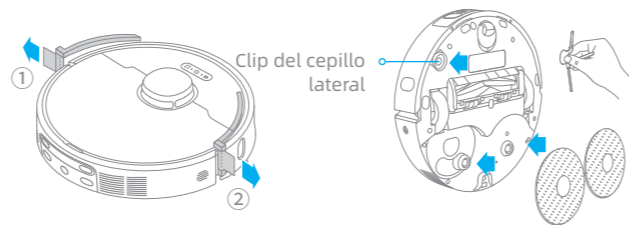
Nota:

- Asegúrese de que ningún objeto pueda bloquear la zona de señalización.
- Para evitar que manchas de agua humedezcan los pisos de madera o alfombras, se recomienda colocar la base de carga sobre pisos de baldosa o de mármol.

2. Instale la placa de extensión de la rampa




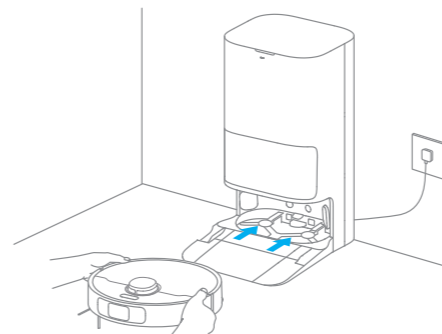
3. Retire las protecciones del robot e instale el conjunto de cepillo lateral y de trapeado



Antes de usar

4. Conecte el robot a la base de carga

Presione y mantenga pulsado el botón  durante 3 segundos para encender el robot. Coloque el robot sobre la base de carga con el conjunto de trapeado mirando hacia la tabla de lavar. Luego oirá una notificación de voz cuando el robot se conecta exitosamente a la base de carga.



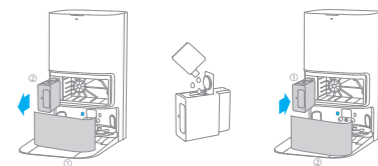
Nota: Se recomienda cargar completamente el robot antes de su primer uso. Cuando el robot no se pueda encender después de agotar la batería, conecte manualmente el robot con la base para cargarlo.

5. Agregue la solución de limpieza (Sección Detergente Líquido)

(1) Retire la cubierta del tanque de polvo y extraiga el compartimento de detergente automático.

(2) Abra la tapa superior del compartimento y agregue la solución de limpieza.

(3) Cierre la tapa del compartimento, vuelva a colocarlo en la base de carga y luego vuelva a instalar la cubierta del tanque de polvo. La solución de limpieza se agregará automáticamente mientras trabaja.



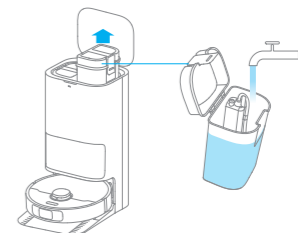
Nota:

- El compartimento de detergente automático se puede llenar con solución de limpieza para su uso. No agregue ningún líquido que no sea la solución de limpieza aprobada oficialmente para ayudar a evitar un mal funcionamiento.
- Instale el compartimento de detergente automático hasta que haga clic en el lugar apropiado.

ADVERTENCIA: Para reducir el riesgo de incendio y descarga eléctrica por daños en los componentes internos, use solo detergente líquido Dreame Trading (Tianjin) Co., Ltd. (para Dreame L10s Ultra Gen 2) diseñado para uso de este electrodoméstico.

6. Agregue agua al tanque de agua limpia

Saque el tanque de agua limpia de la base de carga y llénelo con agua limpia. Luego instálelo de nuevo en la base de carga.

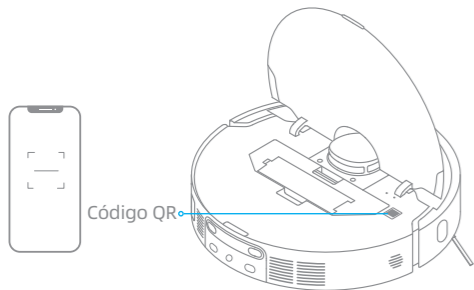


Nota: No agregue agua caliente en el tanque de agua, ya que esto puede causar que el tanque se deforme.

Conectando con la app Dreamehome

1. Descargue la app Dreamehome

Escanee el código QR en el robot, o busque "Dreamehome" en la tienda de aplicaciones para descargar e instalar la app.



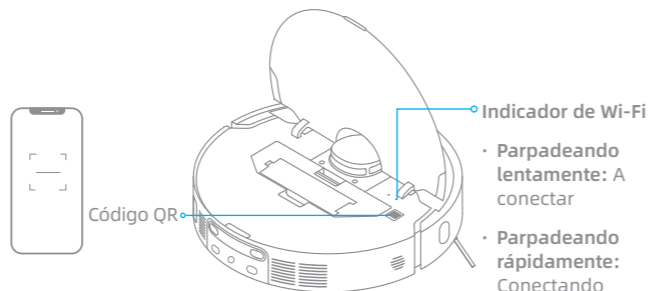
Nota:

- Solo se admite Wi-Fi de 2,4 GHz.
- Debido a las actualizaciones en el software de la app, las operaciones reales pueden diferir de las instrucciones de este manual. Siga las instrucciones basadas en la versión actual de la app.

2. Agregar dispositivo

Abra la app Dreamehome, toque "Escanear código QR para conectar" y escanee el mismo código QR de nuevo en el robot para agregar el dispositivo. Siga las indicaciones para finalizar la conexión Wi-Fi.

Nota: Si desea restablecer el Wi-Fi, repita el paso 2 y luego siga las instrucciones para finalizar la conexión Wi-Fi.





Indicador de Wi-Fi

- Parpadeando lentamente: A conectar
- Parpadeando rápidamente: Conectando
- Encendido: Conectado

Como utilizar

Encender / apagar

Presione y mantenga pulsado el botón  durante 3 segundos para encender el robot. El indicador de potencia debe estar iluminado. Coloque el robot en la base de carga, el robot debe encenderse automáticamente y comenzar a cargarse. Para apagar el robot, aleje el robot de la base de carga y presione y mantenga pulsado el botón  durante 3 segundos.

Mapeo rápido

Después de configurar la red por primera vez, siga las instrucciones en la app para crear rápidamente un mapa. El robot comenzará a mapear sin limpiar. Cuando el robot regresa a la base de carga, el proceso de mapeo se ha completado y el mapa se guardará automáticamente.

Pausa/suspensión

Cuando el robot esté funcionando, presione cualquier botón para ponerlo en pausa. Si el robot está en pausa por más de 10 minutos, automáticamente entrará en modo de suspensión. Todos los indicadores del robot se apagarán. Presione cualquier botón sobre el robot, o use la app para despertar al robot.

Nota: Si el robot está en pausa y colocado en la base de carga, la tarea de limpieza actual terminará.

Limpieza de reanudación automática

Si la batería está demasiado baja, el robot volverá automáticamente a la base de carga para cargarse. Después de cargar al nivel de batería apropiado, reanudará las tareas de limpieza sin terminar.

Nota: Para utilizar esta función, habilítela en la app.


Modo no molestar (DND)

Cuando el robot se pone en modo no molestar (DND), se evitará que el robot reinicie la limpieza y el indicador de encendido se apagará. El modo DND está deshabilitado por defecto desde la fábrica. Usted puede usar la app para habilitar el modo DND o modificar el período de DND. El período de DND es 22:00-8:00 por defecto.



Nota:

- Las tareas de limpieza programadas se realizarán normalmente durante el período DND.
- El robot reanudará la limpieza donde la dejó una vez que expire el período de DND.

Limpieza de manchas

Cuando el robot está en espera, presione brevemente el botón  para activar el modo de limpieza de manchas. En este modo el robot limpia un área de forma cuadrada de 1,5 x 1,5 metros a su alrededor y retorna a su punto inicial una vez que haya completado la limpieza de manchas.

Reinicio del robot


Si el robot deja de responder o no se puede apagar, presione y mantenga presionado el botón  durante 10 segundos para apagarlo a la fuerza. Luego presione y mantenga pulsado el botón  durante 3 segundos para encender el robot.

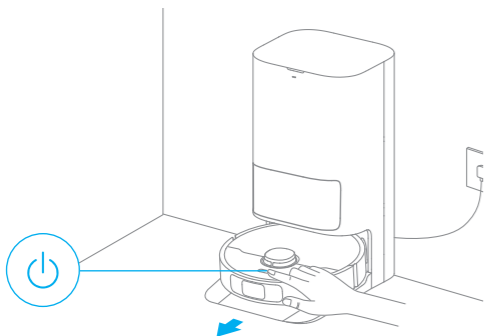
Como utilizar

Aspirar y trapear

Nota: Cuando se usa el conjunto de trapeado por primera vez, el robot realiza la tarea de "aspirar y trapear" por defecto.

1. Empezar a limpiar:

Presione el botón  en el robot, o use la app para hacer que el robot arranque desde la base de carga. Luego, el robot planificará la ruta de limpieza óptima y realizará la tarea de limpieza en función del mapa creado.

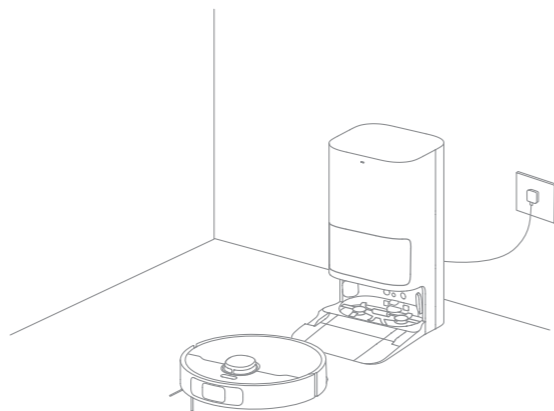


Nota:

- Para garantizar que el robot regrese fácilmente a la base de carga después de la limpieza, se recomienda hacer que el robot arranque desde la base de carga.
- Las almohadillas de trapeado se limpiarán antes de que el robot empiece a trapear, por favor espere pacientemente.
- No mueva la base de carga, el tanque de agua limpia, el tanque de agua usada o la tabla de lavar durante la operación.

2. Lavado automático de trapeador

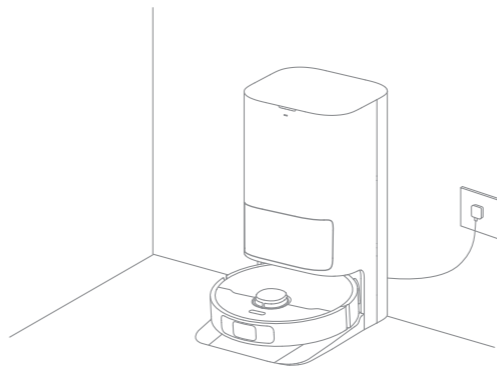
Cuando limpie, el robot retornará automáticamente a la base de carga a lavar las almohadillas de trapeado basándose en la frecuencia de limpieza de las almohadillas de trapeado especificada en la app. La base de carga automáticamente recargará el tanque de agua del robot y este reiniciará la limpieza.



Como utilizar

3. Vacía automáticamente la caja de polvo y limpia y seca las almohadillas de trapeado.

Después que el robot termina una tarea de limpieza y regresa a la base de carga a cargar, la base de carga comenzará automáticamente a vaciar la caja de polvo. Luego lavará y secará las almohadillas de trapeado.



Nota:

- Si la función de vaciado automático está desactivada en la app, la base de carga no vaciará automáticamente la caja de polvo.
- La base de carga vaciará la caja de polvo de acuerdo con la configuración establecida en la app.

4. Limpie el tanque de agua usada

Después de que el robot haya completado su tarea, limpie el tanque de agua usada para evitar cualquier olor.

Trapear después de aspirar

Habilite la función de trapear después de aspirar en la app, y el robot levantará automáticamente el conjunto de trapeado para aspirar el piso. Una vez completada la aspiración, el robot volverá a vaciar la caja de polvo y luego comenzará a trapear después de bajar automáticamente el conjunto de trapeado.

Solo aspirar

Habilite la función de "Solo aspirar" en la app y el robot levantará automáticamente el conjunto de trapeado y comenzará a aspirar.

Solo trapear

Habilite la función de trapear en la app, y el robot comprobará si el conjunto de trapeado está instalado. De lo contrario, instale manualmente el conjunto de trapeado y luego el robot comenzará a trapear automáticamente.

Piezas

Para mantener el robot en buenas condiciones, se recomienda consultar el uso de accesorios en la app o la siguiente tabla para el mantenimiento de rutina.

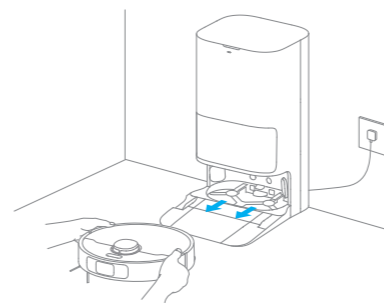
Pieza	Frecuencia de mantenimiento	Periodo de reemplazo
Tanque de agua usada	Después de cada uso	/
Tanque de agua limpia	Una vez cada 2 semanas	Cada 6 a 12 meses
Cepillo principal		Cada 3 a 6 meses
Filtro de la caja de polvo		
Cepillo lateral		
Soporte de la almohadilla de trapeado		/
Tabla de lavar	Una vez al mes	/
Área de señalización de la base de carga		
Contactos de carga		
Rejillas de ventilación de vaciado automático		
Rueda omnidireccional		
Sensor de bordes		
Sensor de distancia láser (LDS)		
Sensor láser de línea 3D		

Pieza	Frecuencia de mantenimiento	Periodo de reemplazo
Sensor de alfombra	Una vez al mes	/
Sensores de caída		
Parachoques		
Entrada de recarga automática de agua del robot		
Parte inferior del robot		
Caja de polvo	Limpiarlo según sea necesario.	Cada 2 a 4 meses
Bolsa de polvo	/	Cada 1 a 3 meses
Almohadilla de trapeado		

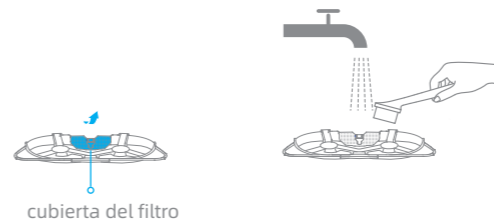
Nota: La frecuencia de reemplazo dependerá del uso que usted haga del robot. Si ocurre una excepción debido a circunstancias especiales, se deben reemplazar las piezas.

Base de la tabla de lavar

1. Saque el robot de la base de carga.



2. Saque la tabla de lavar y abra la cubierta del filtro. Enjuague la tabla de lavar con agua limpia y límpiela con la herramienta de limpieza proporcionada. Después de la limpieza, cierre la cubierta y limpie la tabla de lavar con un paño suave y seco.



cubierta del filtro

3. Limpie la base de la tabla de lavar y vuelva a colocar la tabla de lavar en la base de carga.



4. Utilice la aplicación o presione brevemente el botón  del robot para que regrese a la base de carga.

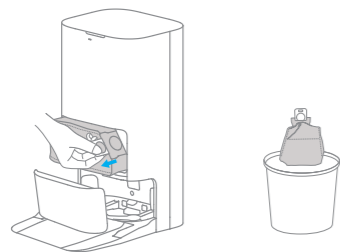


Nota: Durante la limpieza, no haga que el robot regrese a la base de carga.

Mantenimiento de rutina

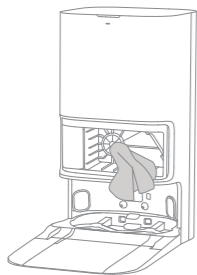
Bolsa de polvo

1. Retire la cubierta del tanque de polvo y deseche la bolsa de polvo.

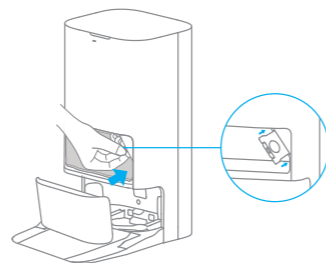


Nota: Tirar hacia arriba del mango sellará la bolsa para evitar que el polvo y los residuos se salgan accidentalmente.

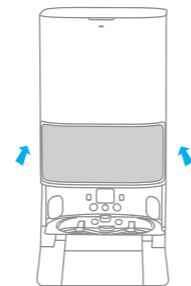
2. Retire el polvo y los residuos del filtro con un paño seco.



3. Instale una nueva bolsa de polvo.



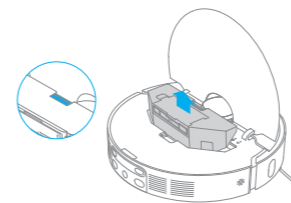
4. Vuelva a instalar la cubierta del tanque de polvo.



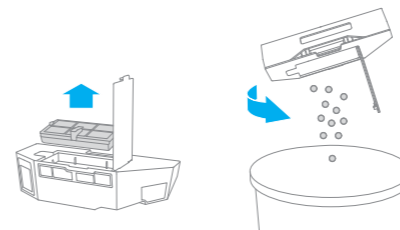
Mantenimiento de rutina

Caja de polvo y filtro

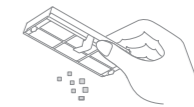
1. Abra la cubierta del robot y presione el clip de la caja de polvo para retirar la caja de polvo.



2. Abra la cubierta de la caja de polvo, retire el filtro, y luego vacíela como se muestra en el diagrama.

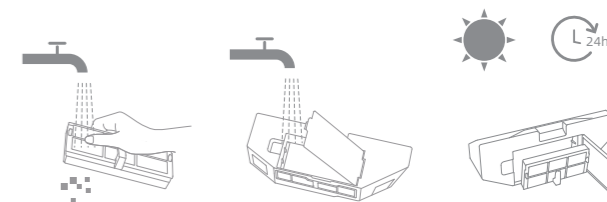


3. Golpee suavemente la canasta del filtro para eliminar la suciedad.



Nota: No intente limpiar el filtro con un cepillo, dedo o cualquier objeto con punta a fin de evitar dañarlo.

4. Enjuague la caja de polvo y el filtro con agua y séquelos completamente antes de volver a instalarlos.



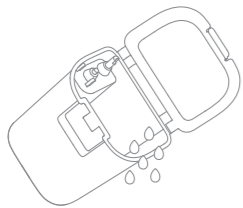
Nota:

- Enjuague la caja de polvo y el filtro solo con agua limpia. No utilice ningún detergente.
- Use la caja de polvo y el filtro solo cuando estén completamente secos.

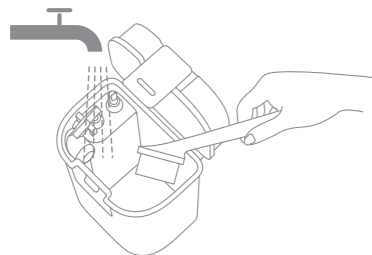
Mantenimiento de rutina

Tanque de agua usada

1. Retire el tanque de agua usado, abra su tapa y vierta el agua usada.



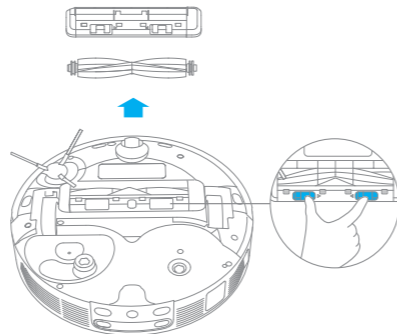
2. Enjuague el tanque de agua usada con agua limpia y use la herramienta de limpieza provista para limpiar la pared interna del tanque de agua usada.



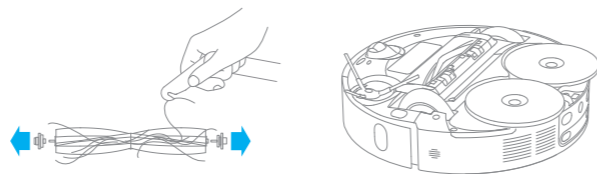
Nota: La bola flotante en el tanque de agua usada es una pieza móvil. No aplique demasiada fuerza al limpiarlo para evitar dañarlo.

Cepillo principal

1. Presione los clips del protector del cepillo hacia adentro para retirar el protector del cepillo y levante el cepillo para sacarlo del robot.



2. Extraiga las cubiertas del cepillo en ambos extremos del cepillo como se muestra en la figura. Use la herramienta de limpieza incluida para retirar el cabello enredado en el cepillo. Vuelva a instalar las cubiertas del cepillo en ambos extremos del cepillo y, a continuación, vuelva a instalar el cepillo. Presione el protector del cepillo para bloquearlo en su lugar.



Mantenimiento de rutina

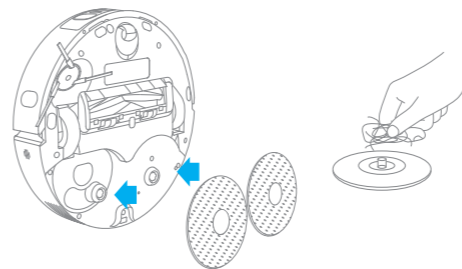
Cepillo lateral

Retire y limpie el cepillo lateral

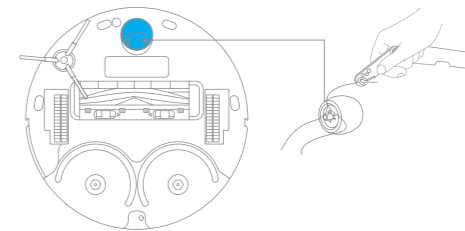


Soporte de la almohadilla de trapeado

Retire y limpie el soporte de la almohadilla de trapeado.



Rueda omnidireccional



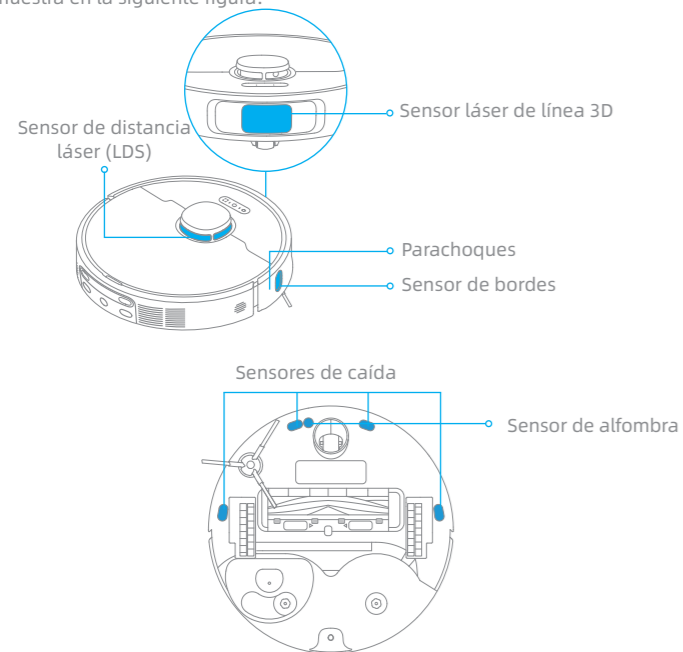
Nota:

- Use una herramienta como un destornillador pequeño para separar el eje y el neumático de la rueda omnidireccional. No use fuerza excesiva.
- Enjuague la rueda omnidireccional bajo el agua corriente y vuelva a colocarla después de secarla por completo.

Mantenimiento de rutina

Sensores del robot

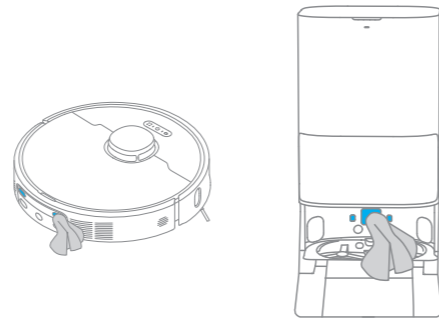
Limpié los sensores del robot utilizando un paño suave y seco, como se muestra en la siguiente figura:



Nota: Un paño húmedo puede dañar elementos sensibles dentro del robot y la base de carga. Utilice un paño seco para la limpieza.

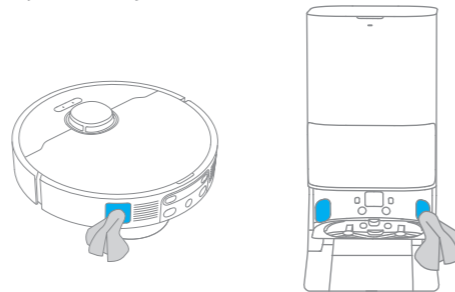
Contactos de carga y área de señalización

Limpié los contactos de carga y el área de señalización con un paño suave y seco.



Rejillas de ventilación de vaciado automático

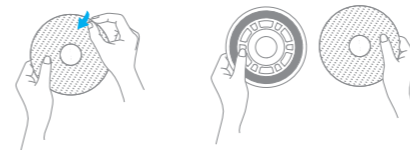
Limpié las rejillas de ventilación de vaciado automático del robot y la base de carga con un paño suave y seco.



Mantenimiento de rutina

Almohadilla de trapeado



Retire la almohadilla de trapeado del soporte para reemplazarla.




Batería

El robot contiene un paquete de baterías de iones de litio de alto rendimiento. Asegúrese de que la batería permanezca bien cargada para el uso diario para mantener un rendimiento óptimo de la batería. Si el robot no se utiliza durante un largo período de tiempo, apáguelo y guárdelo. Para evitar daños por la descarga profunda, cargue el robot al menos una vez cada tres meses.

Problema	Solución
El robot no enciende	La batería está baja. Recargue el robot en la base y vuelva a intentarlo. La temperatura de la batería es demasiado baja o demasiado alta. Se recomienda operar el aparato a una temperatura entre 32°F (0°C) y 104°F (40°C).
El robot no carga.	La base de carga no está conectada a la alimentación; asegúrese de que ambos extremos del cable de alimentación estén correctamente enchufados. El contacto entre los contactos de carga de la base de carga y el robot es deficiente; limpie los contactos de carga. Compruebe si hay algún objeto extraño en el conector del robot y retírelo si lo hubiera.
El robot no logra conectarse a Wi-Fi.	La contraseña de la red Wi-Fi es incorrecta. Asegúrese de que la contraseña utilizada para conectarse a su red Wi-Fi sea correcta. El robot no admite una conexión Wi-Fi de 5 GHz. Asegúrese que el robot esté conectado a una conexión Wi-Fi de 2,4 GHz. La señal Wi-Fi es débil. Asegúrese que el robot esté en una zona con buena cobertura Wi-Fi. Es posible que el robot no esté listo para ser configurado. Salga y vuelva a ingresar a la app y luego vuelva a intentarlo según las instrucciones.
El robot no puede encontrar la base de carga ni regresar a ella.	La base de carga se desconecta de la alimentación o se mueve cuando el robot no está sobre ella. Por favor conecte la base de carga a la alimentación eléctrica o coloque el robot sobre la base de carga para cargar, Hay demasiadas obstrucciones alrededor de la base de carga. Coloque la base de carga en un área más abierta. Mover el robot puede provocar que él mismo se repositone y recreará un mapa si falla el reposicionado. Si el robot está muy lejos de la base de carga, podría no ser capaz de regresar por sí mismo; en tal caso se requerirá ponerlo manualmente sobre la base de carga. Limpie el área de señalización de la base de carga para eliminar el polvo o los residuos.
El robot se queda atascado delante de la base de carga y no puede volver a ella.	Despeje cualquier obstrucción dentro de 2" (5 cm) en los lados izquierdo y derecho o dentro de 60" (1,5 m) frente a la base de carga para evitar que el robot se bloquee. La ruta para volver a cargar está bloqueada, por ejemplo, la puerta está cerrada. El robot puede resbalar si el suelo delante de la base de carga está demasiado mojado. Si es así, limpie el exceso de agua antes de volver a intentarlo. Se recomienda mover la base de carga a un lugar diferente y volver a intentarlo. Asegúrese de que la placa de extensión de la rampa esté instalada correctamente.

Problema	Solución
El robot no se apaga.	El robot no se puede apagar mientras se está cargando. Se recomienda mover el robot desde la base de carga y luego presionar y mantener pulsado el botón  durante 3 segundos para apagarlo. Si el robot no se puede apagar realizando el paso 1, presione y mantenga pulsado el botón  durante 10 segundos para apagar el robot a la fuerza. Si el problema se mantiene, contacte al servicio post-venta.
La velocidad de carga es lenta.	Se necesitan aproximadamente 3,5 horas para cargar completamente el robot cuando la batería está baja. Si opera el robot a temperaturas fuera del rango especificado, la velocidad de carga se reducirá automáticamente para extender la vida útil de la batería. Los contactos de carga tanto del robot como de la base pueden estar sucios; límpielos con un paño seco.
El ruido aumenta mientras el robot está en funcionamiento.	Compruebe si el filtro de la caja de polvo está obstruido. Si es así, límpielo o reemplácelo. Un objeto duro puede quedar atrapado en el cepillo principal o en la caja de polvo. Compruebe y retire cualquier objeto duro. El cepillo principal o el cepillo lateral pueden quedar enredados. Revise y retire cualquier objeto extraño. Cambie el modo de succión a estándar o silencioso.
El robot se mueve sin seguir la ruta marcada.	Se deben organizar objetos como cables de alimentación y zapatillas antes de utilizar el robot. Trabajar sobre superficies húmedas resbalosas ocasiona que la rueda principal se deslice. Se recomienda secar los lugares húmedos antes de usar el robot. Limpie el sensor de línea láser 3D en el robot con un paño limpio, suave para mantenerlo limpio y sin obstrucciones.
El robot pasa por alto las habitaciones que debe limpiar.	Asegúrese de que las puertas de las habitaciones a limpiar estén abiertas. Compruebe si hay un umbral superior a unos 0,8" (2 cm) en la puerta de la habitación. El robot no puede subir por encima de umbrales o escalones altos. El lugar en frente del cuarto a ser limpiado puede estar húmedo y resbaloso, ocasionando que el robot se deslice y trabaje de forma anormal. Por favor trate de secar el piso antes de usar el robot.

Problema	Solución
El robot no reanuda la limpieza después de cargarlo.	Asegúrese de que el robot no esté configurado en el modo No Molestar (DND), lo que evitará que reanude la limpieza. El robot no reanudará la limpieza después de que usted lo coloque manualmente sobre la base de carga o envíe el robot a cargar mediante la app o el botón  .
La estación no puede vaciar automáticamente la caja de polvo.	Compruebe si la bolsa de polvo en el tanque de polvo está llena. Si la bolsa de polvo no está llena, compruebe si hay alguna obstrucción en las rejillas de ventilación de vaciado automático del robot, la base de carga o la caja de polvo. Si la hay, limpie la parte bloqueada a tiempo.
El nivel del agua en la tabla de lavar es anormal.	Verifique si el sello del tanque de agua usada está suelto o no está instalado correctamente y, si es así, reinicielo manualmente. Si el problema se mantiene, contacte al equipo de servicio post-venta. Presione suavemente hacia abajo el tanque de agua usada para asegurarse de que esté instalado correctamente. Retire la tabla de lavar y revise si el drenaje de aguas residuales está obstruido y límpielo. Compruebe la solución de limpieza. No agregue ningún líquido que no sea la solución de limpieza aprobada oficialmente.
El soporte de almohadilla trapeadora está anormalmente elevado.	Por favor retire el soporte de almohadilla trapeadora para verificar si hay algún objeto extraño atrapado en él, y trate de reiniciar el robot. Si el problema se mantiene, contacte al equipo de servicio post-venta.
Hay agua bajo el tanque de agua limpia o alrededor del sello.	Cuando se saca el tanque de agua limpia, algo de agua puede quedar en la tubería bajo el tanque o alrededor del sello. Esto es normal. Limpie con una toalla seca.

Para servicios adicionales, póngase en contacto con nosotros a través de support.us@dreame.tech

Tel: +1 (866) 977-5177

Robot

Modelo	RLL32SE/RLL32SE-1
Tiempo de carga	Aprox. 3,5 horas
Voltaje nominal	14,4 V \pm
Potencia nominal	75 W
Frecuencia de operación	2400-2483,5 MHz
Potencia de salida máxima	<20 dBm

Base de carga

Modelo	RCLE0304/RCLE0304-3
Entrada nominal	120 V ~ 60 Hz 4,1 A
Salida nominal	20 V DC, 2 A

En condiciones de uso normales, este equipo debe mantenerse a una distancia de separación de al menos 20 cm (7,88 pulgadas) entre la antena y el cuerpo del usuario.