

Variable Temperature Kettle

User's manual

EN



SENCOR[®]

SWK 1792BK

Prior to using this appliance, please read the user's manual thoroughly, even in cases where owners have previously familiarised themselves with using similar types of appliances. Only use the appliance in the manner described in this user's manual. Keep this manual for future use.

Save the original shipping transport box, packaging material, receipt and warranty card for the duration of the warranty. In the case of transportation, pack the appliance using the original packaging materials only.

EN-1

CONTENTS

IMPORTANT SAFETY INSTRUCTIONS	3
DESCRIPTION OF THE KETTLE	5
DESCRIPTION OF THE DISPLAY AND CONTROL BUTTONS	6
BEFORE FIRST USE	7
USING THE KETTLE	7
CLEANING AND MAINTENANCE	9
TECHNICAL SPECIFICATIONS	9
INSTRUCTIONS AND INFORMATION REGARDING THE DISPOSAL OF USED PACKAGING MATERIALS . . .	10
DISPOSAL OF USED ELECTRICAL AND ELECTRONIC EQUIPMENT	10

IMPORTANT SAFETY INSTRUCTIONS

- This appliance may be used by children 8 years of age and older and by persons with physical or mental impairments or by inexperienced persons if they are properly supervised or have been informed about how to use of the product in a safe manner and understand the potential dangers. Cleaning and maintenance performed by the user must not be performed by children unless they are older than 8 years of age and under supervision. Keep this appliance and the power cord out of reach of children younger than 8 years of age.
- Children must not play with the appliance.

Variable Temperature Kettle

SWK 1792BK

IMPORTANT SAFETY INSTRUCTIONS READ CAREFULLY AND STORE FOR FUTURE USE.

- Before connecting the variable temperature kettle to a power socket check that the voltage stated on the rating label matches the electrical voltage in the socket.
- Connect the variable temperature kettle only to a properly grounded socket.

**Attention:**

This variable temperature kettle is not designed to be controlled using a programmed device, external timer switch or remote control.

- The variable temperature kettle is designed for domestic use and similar places such as:
 - staff kitchens in stores, offices and other workplaces;
 - hotel or motel rooms and other living areas;
 - bed and breakfast establishments;
 - agricultural farms.
- Do not use the variable temperature kettle outdoors.
- Do not place the variable temperature kettle on window sills or on unstable surfaces. Always place the variable temperature kettle on a stable, even and dry surface.
- Never use the variable temperature kettle in the near vicinity of a bath, shower or swimming pool.

**Warning:**

Do not submerge the variable temperature kettle or its base in water or any liquids.

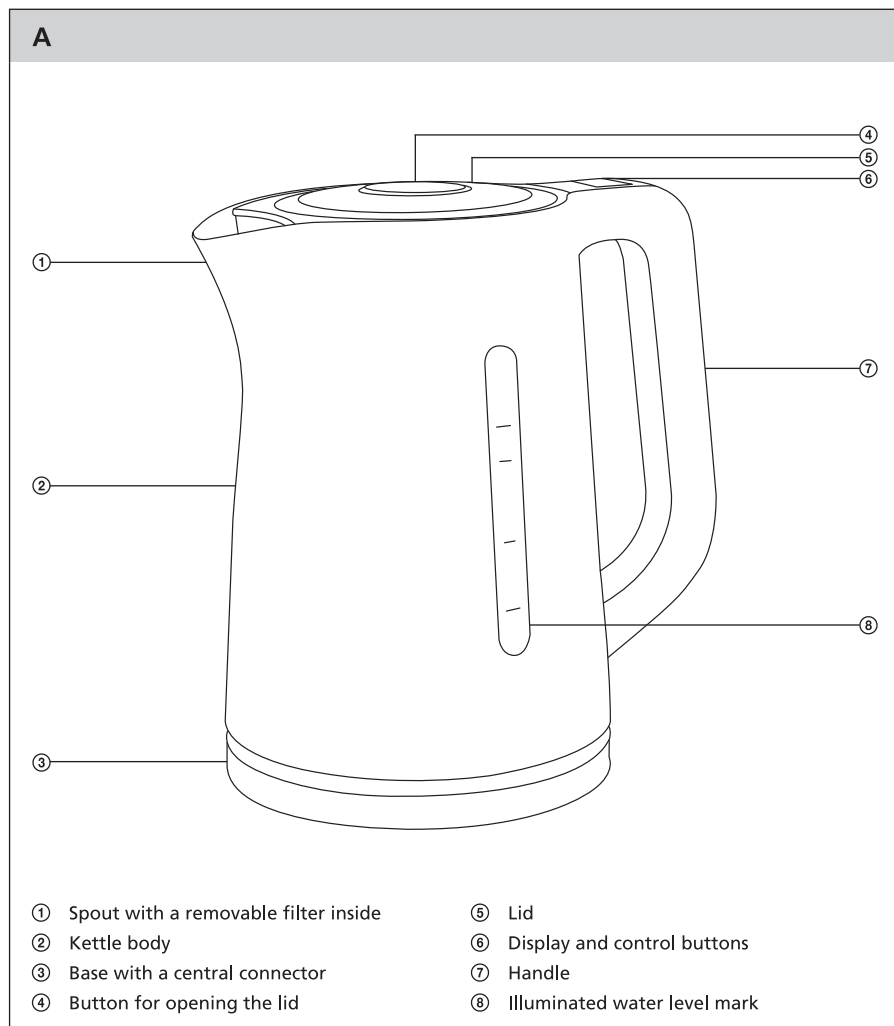
- Only use the variable temperature kettle with the base that was supplied with it. Do not use the base supplied with this variable temperature kettle for other types of kettles.
- Use the variable temperature kettle only for boiling water.
- If the variable temperature kettle is overfilled, then boiling water could splash out.
- Don't move the kettle lid or open it while the water is boiling.
- The body of the kettle is heated up while water is boiled. Do not touch the hot surface. This could cause skin burns. Use the handle for lifting and carrying the variable temperature kettle.
- Pay extra attention when handling a kettle filled with hot water.
- The variable temperature kettle is protected against damage caused by accidentally running it without water.
- If the variable temperature kettle is running, do not leave it unattended.
- Always disconnect the variable temperature kettle from the power socket if you will not be using it or before moving or cleaning it.
- Do not place the variable temperature kettle on an electric or gas stove or in its vicinity, do not place it in the vicinity of an open fire or an appliance that is a source of heat.
- Ensure that the power cord does not come into contact with water or moisture.
- Do not place heavy items on the power cord. Make sure the power cord does not hang over the edge of a table, or that it does not touch a hot surface.
- Do not disconnect the variable temperature kettle from the power socket by pulling on the power cord. This could damage the power cord or the power socket. Disconnect the cord from the power socket by gently pulling the plug of the power cord.
- Do not use the variable temperature kettle if it has fallen on the floor, has visible signs of damage or if it is leaking.
- If the power cord is damaged, have it replaced at an expert service centre. It is forbidden to use the variable temperature kettle if it has a damaged power cord or plug.
- To avoid the danger of injury by electrical shock, do not repair the variable temperature kettle yourself or make any adjustments to it. All repairs of this variable temperature kettle should be carried out at an authorised service centre. Tampering with the appliance during the warranty period may void the warranty policy.

Variable Temperature Kettle

SWK 1792BK

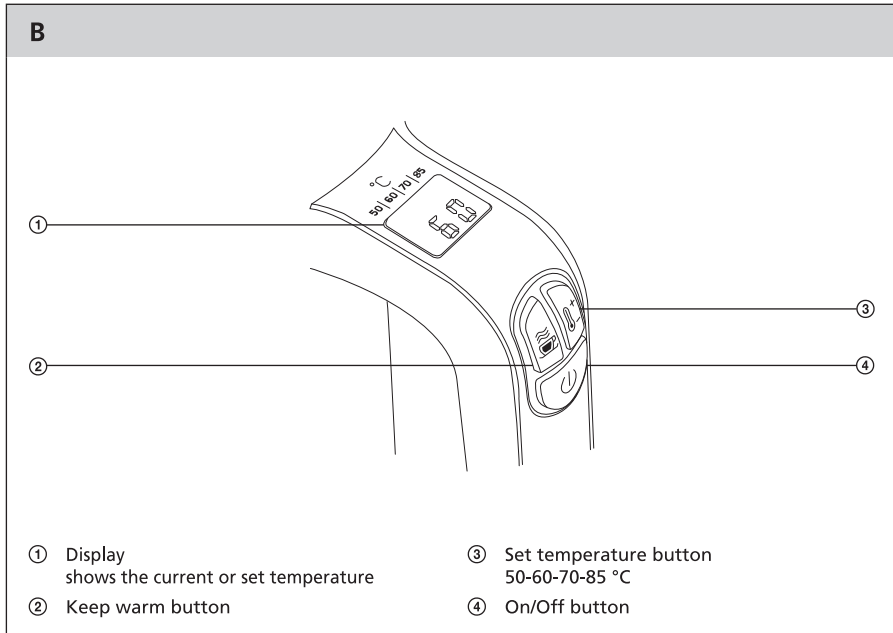
EN

DESCRIPTION OF THE KETTLE



EN-5

DESCRIPTION OF THE DISPLAY AND CONTROL BUTTONS



Variable Temperature Kettle

SWK 1792BK

EN

BEFORE FIRST USE

1. Remove all wrapping material from the variable temperature kettle and its base.
2. Fill the variable temperature kettle with clean water up to the maximum water mark. Boil the water and empty the contents of the kettle. Repeat this process 2 to 3 times.



Note:

To boil water in the variable temperature kettle proceed according to the instructions in chapter Using the kettle.

3. Now the variable temperature kettle is ready for use (for preparing warm beverages, etc.).

USING THE KETTLE

1. Set the desired length of the power cord. Push the power cord into the groove in the base A③. Place the base A③ on a stable, even and clean surface.
2. Fill the variable temperature kettle with the required amount of drinking water. You may fill it through the spout A① or through the opening after lifting the lid A⑤. The lid A⑤ will open when button A④ is pressed. The water level must reach at least the minimum mark (0,5 l) and must not exceed the maximum mark (1,7 l).



Warning!

Never fill the kettle when it is placed on the base.

If the kettle is overfilled then boiling water may splash out.

3. Place the kettle on the base A③. Make sure that the lid A⑤ is properly closed. Insert the power plug into an electrical power socket. After connecting the power cord to the electrical power socket a sound will be made and the current water temperature will appear on the display.



Note:

If the water temperature in the kettle is lower than 40 °C, the display will show "Lo" (low temperature).

4. This variable temperature kettle offers the selection of several modes and their combinations, as described below:

4.1 Boil water

Press button B④ to set the boil water mode. Button B④ and the water level mark A⑥ will be lit. The variable temperature kettle will start heating the water. As soon as the water starts to boil, a sound will be made (5 beeps) and the kettle will turn off automatically (it will switch to the stand-by mode). The lights of button B④ and the water level mark A⑥ will turn off. The current water temperature will be shown on the display B①.



Note:

This mode can be cancelled at any time by pressing button B④.

4.2 Heat water to a preset temperature and maintain the preset temperature

Use button B③ to set the heating temperature 50, 60, 70 or 85 °C. The temperature setting changes each time the button B③ is pressed. To set the maintain water temperature mode, press button B②. When buttons B②–③ and the water level mark A⑥ are lit, it is heating water. Display B① will switch to the current water temperature display mode. The set temperature is indicated by the "•" symbol lit up on the display B①. The variable temperature kettle will start the heat water mode. As soon as the water reaches the preset temperature, the kettle will beep. Afterwards, the variable temperature kettle will switch to the maintain preset temperature mode. The water temperature will be maintained for 30 minutes. Then the variable temperature kettle will turn off (it will switch

to the stand-by mode). The lights of buttons B②–③ and the water level mark A⑧ will turn off. The current water temperature will be shown on the display B①.



Note:

The temperature settings can be changed at any time using button B③. The heat water to a preset temperature mode or maintain the preset temperature mode can be cancelled by pressing button B②.

If you set a temperature using button B③ and then do not press button B②, the kettle will revert to the stand-by mode after 5 seconds.

If you press button B② without first setting the temperature, the water will first heat up to 50 °C and only thereafter will the kettle switch to the maintain water temperature mode.

4.3 Boil water, cool water to a preset temperature and maintain the preset temperature

Use the button B③ to set a temperature of 50, 60, 70 or 85 °C, to which the water should cool after being boiled. Then press the buttons B② and B④. When buttons B②–④ and the water level mark A⑧ are lit, it is heating water. Display B① will switch to the current water temperature display mode. The set temperature is indicated by the “•” symbol lit up on the display B①. The variable temperature kettle will start the boil water mode. A sound will be made (5 beeps) when the water boils. The light of button B④ will turn off. As soon as the boiled water cools down to the preset temperature, a beep will be made and the variable temperature kettle will switch to the maintaining temperature mode. The water temperature will be maintained for 30 minutes. Then the variable temperature kettle will turn off (it will switch to the stand-by mode). The lights of buttons B②–③ and the water level mark A⑧ will turn off. The current water temperature will be shown on the display B①.



Note:

The boil water mode can be cancelled by pressing button B④ again. The temperature settings can be changed at any time using button B③. The heat water to a preset temperature mode or maintain the preset temperature mode can be cancelled by pressing button B②.



Note:

A sound (beep) is made each time a button is pressed.



Attention:

This variable temperature kettle is not calibrated for scientific or laboratory purposes. The actual water temperature inside the kettle may vary from the temperature shown on the display by ± 5 °C. Do not turn on the variable temperature kettle if it is empty. The incorrect use of the variable temperature kettle may negatively affect its lifetime. If you accidentally turn on the variable temperature kettle without water, a sound will be made after a short time. The display B①, the water level mark light A⑧ and the lights of the control buttons will turn off. Remove the kettle from the base and prior to filling it up and starting it again, wait several minutes until the stainless steel bottom cools down.

5. Before taking the kettle off the base A③ make sure that it is turned off (it is in the stand-by mode), or turn it off manually if it is still running. Turn off the kettle by cancelling the set mode according to the instructions contained in paragraph 4.1–4.3. Pour the boiled or heated water into a prepared container, cup or mug. If you carry the kettle, make sure that it remains in a horizontal position, particularly if it is filled all the way up to the maximum mark. If you wish to open the lid A⑤ to refill the kettle, first empty all the contents of the kettle so that you are not scalded by the escaping steam.
6. After you finish using the kettle, disconnect the power cord from the el. power socket. Empty the kettle and allow it to cool down.

Variable Temperature Kettle

SWK 1792BK

EN

CLEANING AND MAINTENANCE

- Before cleaning, disconnect the power cord from the el. power socket. Empty the variable temperature kettle and allow it to cool down.

Cleaning the filters

- The removable filter serves to capture scale deposits and prevents them from getting into the prepared beverage. Regularly clean the filter under running water using a fine nylon brush or submerge it for several hours into a vinegar & water solution (recommended dilution ratio 1:2). After applying the solution, rinse the filter under clean running water.

Cleaning the variable temperature kettle

- Regularly remove water scale deposits from inside the variable temperature kettle based on how frequently the kettle is used. During standard use (3 to 5 times per day), we recommend water scale deposits be removed:
 - once per month in areas with hard and very hard water;
 - once every two to three months in areas with soft and medium hard water.
- To remove water scale deposits it is possible to use:
 - 8% white wine vinegar, generally available in stores. Put ½ l of vinegar into the kettle and allow it to settle for 2 hours without boiling. Then empty the variable temperature kettle and before further use boil clean water in it four to five times.
 - citric acid. Boil ½ l of water in the kettle. Into the boiled water add 30 g of citric acid and allow it to settle for about 30 minutes. Then empty the variable temperature kettle and before further use boil clean water in it four to five times.
- To clean the external parts of the variable temperature kettle use a dry cloth or a cloth lightly dipped in a weak solution of neutral kitchen detergent. After applying the kitchen detergent, wipe the surface with a lightly damp cloth and then wipe dry.
- To clean the base use only a dry cloth.
- To clean the variable temperature kettle and its base, never use cleaning agents causing abrasion, petrol, solvents, etc.

TECHNICAL SPECIFICATIONS

Nominal voltage range	220–240 V
Nominal frequency.....	50/60 Hz
Rated power input.....	2000–2400 W
Capacity	1.7 l

We reserve the right to change text and technical specifications.

INSTRUCTIONS AND INFORMATION REGARDING THE DISPOSAL OF USED PACKAGING MATERIALS

Take the packaging material to a designated municipal waste facility.

DISPOSAL OF USED ELECTRICAL AND ELECTRONIC EQUIPMENT



This symbol on products or original documents means that used electric or electronic products must not be added to ordinary municipal waste. For proper disposal and recycling, take these products to designated collection points. Alternatively, in some European Union states or other European countries you may return your appliances to the local retailer when buying an equivalent new appliance. Through the correct disposal of this product you will help retain valuable natural resources and prevent potential negative effects on the environment, which could result from its incorrect disposal of waste. Ask your local authorities or collection facility for more details. In accordance with national regulations penalties may be imposed for the incorrect disposal of this type of waste.

For business entities in European Union states

If you want to dispose of electric or electronic devices, ask your retailer or supplier for the necessary information.

Disposal in other countries outside the European Union

This symbol is valid in the European Union. If you wish to discard this product, ask your local authorities or retailer about proper disposal.



This product meets all the basic requirements of EU directives that apply to it.