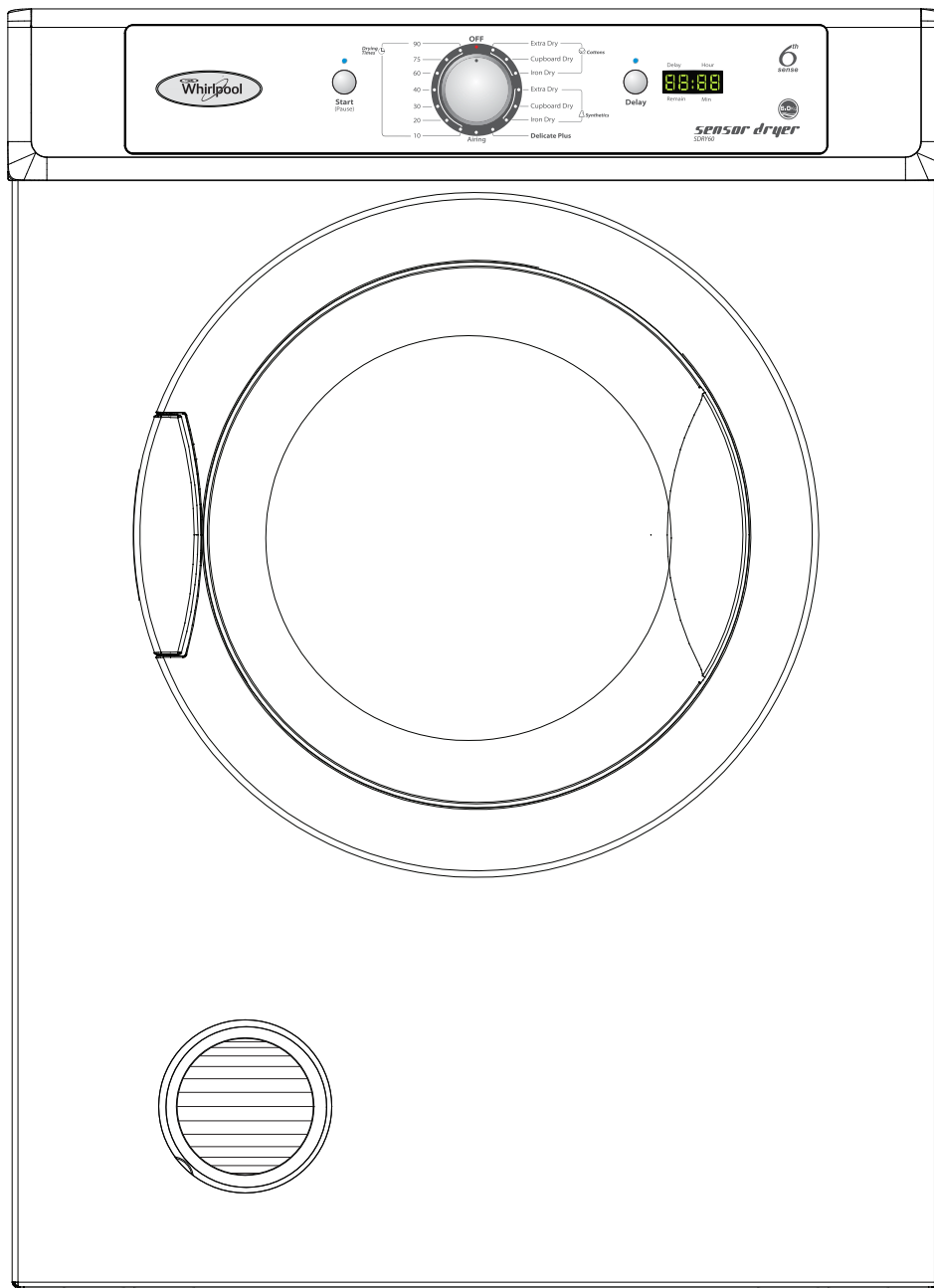


OPERATION MANUAL

SENSOR TUMBLE DRYER Model:SDRY60



Whirlpool

TABLE OF CONTENTS

BEFORE USING THE DRYER PLEASE READ THE INSTRUCTIONS

IMPORTANT SAFETY INSTRUCTIONS |

INSTALLATION INSTRUCTIONS

IDENTIFICATION OF PARTS 3

INSTALLATION INSTRUCTIONS 4

INVERTED WALL MOUNTING 5

STACKING INSTALLATION 7

FRONT VENTING 9

REAR VENTING 9

INSTALL THE FLEXIBLE HOSE 10

OPERATING INSTRUCTIONS

CONTROL PANEL | |

OPERATING INSTRUCTIONS | |

CLEANING AND MAINTENANCE 14

TROUBLESHOOTING AND SPECIFICATIONS

WIRING CIRCUIT 16

SPECIFICATIONS 16

TROUBLESHOOTING GUIDE 17



IMPORTANT SAFETY INSTRUCTIONS

Warning - To reduce the risk of fire, electric shock, or personal injuries, the following basic precautions should be followed:

- 1 Read all instructions before using this dryer.
- 2 The interior of the dryer should be cleaned periodically by qualified service personnel. An excessive amount of lint build up in the interior of the dryer could result in inefficient drying and pose a possible fire hazard.
- 3 The appliance must not be installed behind a lockable door, a sliding door or a door with a hinge on the opposite side to that of the tumble dryer in such a way that a full opening of the tumble dryer is restricted.
- 4 Attention - rear panel can be hot.
- 5 The tumble dryer should not be used if industrial chemicals have been used to clean the dryer.
- 6 The dryer must only be used for its intended purpose.
- 7 Clean lint screen before or after each load.
- 8 This appliance is not intended for use by people (including children) with reduced physical, sensory or mental capabilities, or lack of experience and knowledge, unless they have been given supervision or instruction concerning use of the appliance by a person responsible for their safety. Young children should be supervised to ensure that they do not play with the appliance.
- 9 Do not operate the dryer if any parts are missing or broken.
- 10 To avoid fire hazard or electrical shock do not use an adaptor plug or extension cord or remove grounding prong from electrical power cord. Failure to follow this warning can cause serious injury, fire or death.
- 11 To avoid fire hazard or electrical shock do not reach into the drum while the drum is moving. Wait until the dryer has stopped completely before reaching into the drum.
- 12 Do not attempt to modify or repair the controls.
- 13 The final part of a tumble dryer cycle occurs without heat (cool down cycle) to cool items to a temperature that ensures that they will not be damaged. Never stop a tumble dryer before the end of the drying cycle unless all items are quickly removed and spread out so that the heat is dissipated.
- 14 Do not dry items that have been previously cleaned in, washed in, soaked in, or spotted with substances such as cooking oil, acetone, alcohol, petrol, kerosene, spot removers, turpentine, waxes and wax removers, etc. Do not store or use these items on or in the vicinity of the dryer. Do not place items exposed to cooking oils in your dryer. Items contaminated with cooking oils may contribute to a chemical reaction that could cause a load to catch fire. Oil-affected items can ignite spontaneously, especially when exposed to heat sources such as in a tumble dryer. The items become warm, causing an oxidation reaction in the oil. Oxidation creates heat. If the heat cannot escape, the items can become hot enough to catch fire. Piling, stacking or storing oil-affected items can prevent heat from escaping and create a fire hazard. If it is unavoidable that fabrics that contain vegetable or cooking oil or have been

IMPORTANT SAFETY INSTRUCTIONS

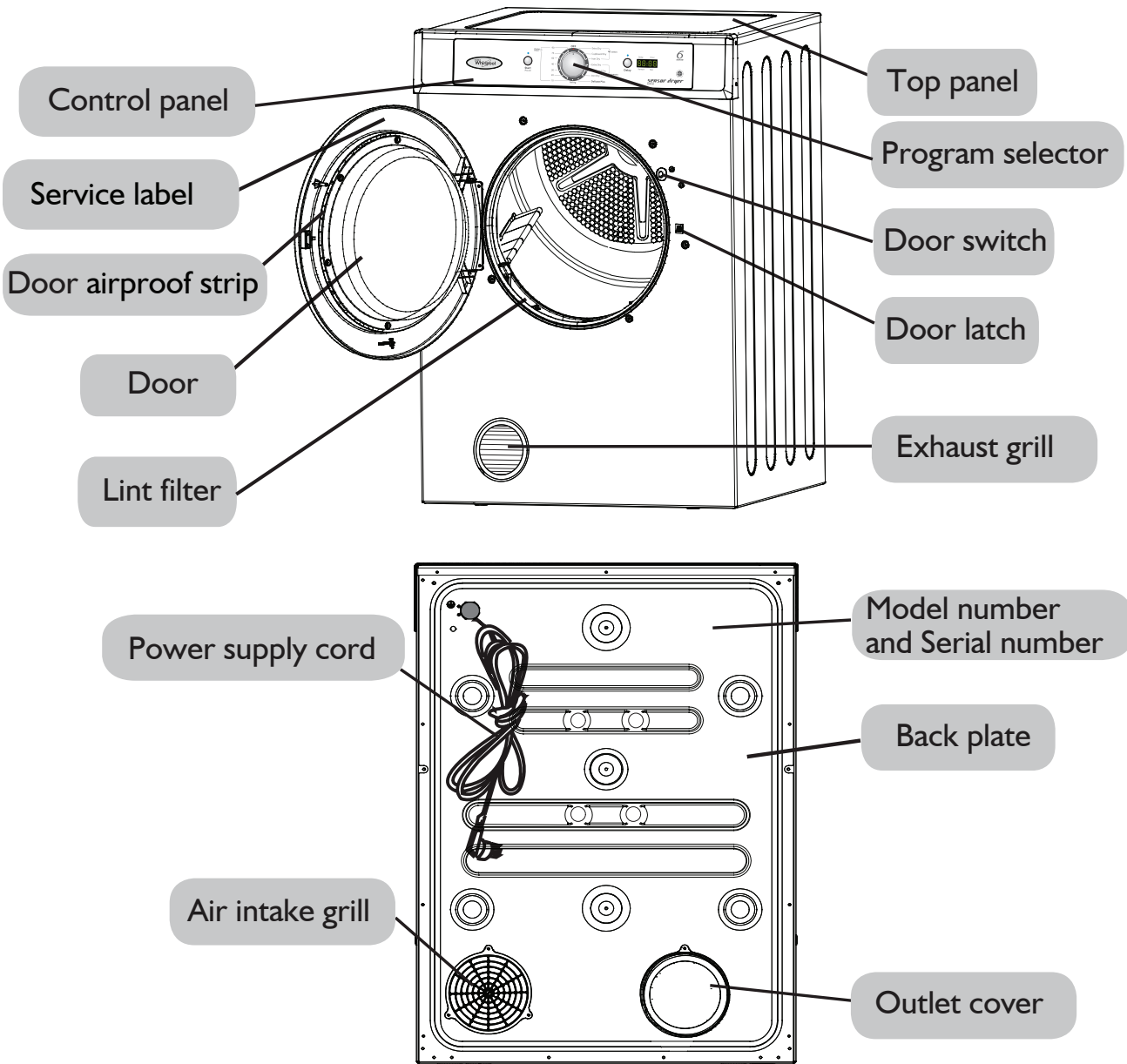
contaminated by hair care products be placed in a tumble dryer they should first be washed in hot water with extra detergent - this will reduce, but not eliminate, the hazard.

- 15 Do not dry unwashed items in the tumble dryer.
- 16 Fabric softeners, or similar products, should be used as specified by the fabric softener instructions.
- 17 To prevent fire, do not use heat to dry items containing plastic, foam rubber or similarly textured rubber-like materials, or items containing feathers or down. Items such as foam rubber (latex foam), shower caps, waterproof textiles, rubber backed articles and clothes or pillows fitted with foam rubber pads should not be dried in the tumble dryer.
- 18 This dryer must be properly installed in accordance with the installation instructions before it is used.
- 19 Do not install or store this dryer where it will be exposed to water and /or the weather. Keep surrounding areas free from the accumulation of lint, dust and dirt.
- 20 To prevent shock hazard and assure stability during operation, the dryer must be installed and electrically grounded by a qualified service person in accordance with local codes.
- 21 Do not sit on top of the dryer.
- 22 If the supply cord is damaged, it must be replaced by the manufacturer, its service agent or similarly qualified persons in order to avoid a hazard.
- 23 Always disconnect dryer from electrical supply before attempting any service.
- 24 Disconnect power cord by grasping the plug, not the cord. Do not repair or replace any part of the dryer or attempt any servicing unless specifically recommended in the user-maintenance instructions.
- 25 Before the dryer is removed from service or discarded, remove the dryer door to prevent accidental entrapment.
- 26 Remove all objects from pockets such as lighters and matches.



Caution, risk of fire - this is a safety symbol. Failure to follow the warnings outlined in these user instructions can cause a fire hazard.

IDENTIFICATION OF PARTS



Warning

Read all instructions before using this dryer.
This dryer has been designed for domestic use only.

SAVE THESE INSTRUCTIONS.

This diagram may be slightly different from the layout of the dryer you have just purchased due to technical improvements.

INSTALLATION INSTRUCTIONS

Unpacking your dryer

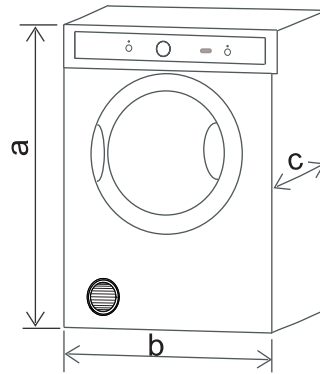
Dimensions

a=830 mm

b=600 mm

c=560 mm

Weight=30 kg



Remove the transport packaging (fig. 1)

Remove the tape on the door (fig.2), the wall mounting kit and the inverted panel film attached to the inside of the drum (fig.3) before starting the dryer.

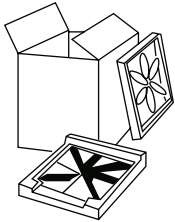


fig.1

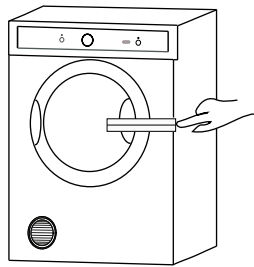


fig.2

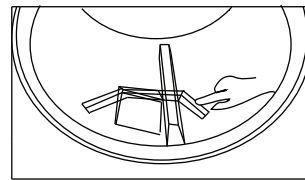


fig.3

Packing accessories

Check list of the accessories and materials provided with the machine:

Name	Quantity
User manual	1
Wall mounting kit	1
Inverted panel film	1
Flexible hose	1
Flexible hose clip	1
Hose connector	1
Stacking kit	2
Warranty card	1

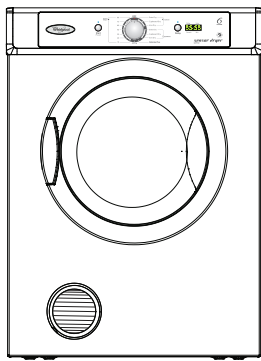
To ensure the dryer operates normally, attention must be paid to the following:

1. The rear of the dryer must not have any restriction to the intake of fresh air.
2. Check the dryer for any damage. If any damage is found do not operate and contact your supplier or Whirlpool Customer Service.
3. The dryer must be kept away from flammable substances.
4. The surrounding environment must be dry and ventilated.
5. For best results, the ambient temperature should be between 10°C and 35°C.

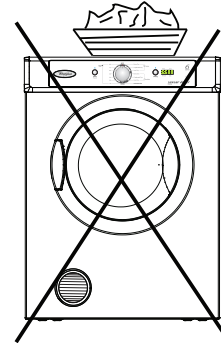
INSTALLATION INSTRUCTIONS

Free standing

The dryer stands on the floor and can easily be moved into position. Ensure that it is placed on a level floor. Also ensure there is at least 50 mm air clearance between the back of the dryer and the wall to allow fresh air flow for efficient operation even using the front venting option.



Attention:
Please don't put a heavy load on the dryer's top panel, such as a basketry full of wet laundry.



Inverted wall mounting

The dryer can be mounted on the wall in the inverted position only by following these instructions.

Invert the dryer so that the control panel is at the bottom (see figure 4) this allows easier access to the controls.

- I. Determine the location of the dryer on the wall and mark the bracket position.

A minimum 50 mm is needed between the top of the dryer and the ceiling for ease of installation;

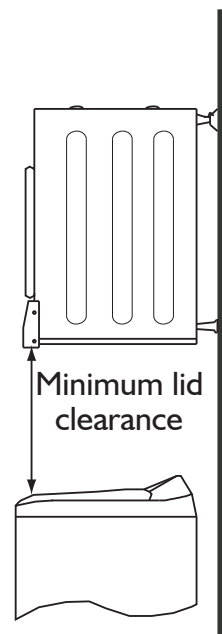
If mounting above a washing machine, allow sufficient room to open the lid of the washer.

Tools required

For plaster/ Wooden wall	Drill & 3mm Bit	1
	Philips head screwdriver	1

Wall mounting kit includes

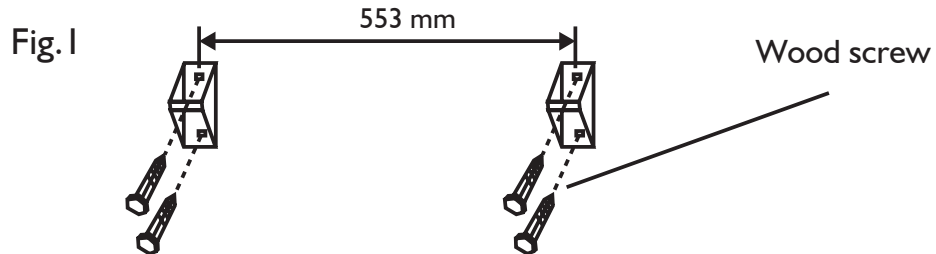
Description	Plastic spacers	2
	Wall hanging brackets	2
	Hanging hook	2
	Wood screws, 12gx50mm	4
	Screws for hanging hooks and plastic spacers.	6



INSTALLATION INSTRUCTIONS

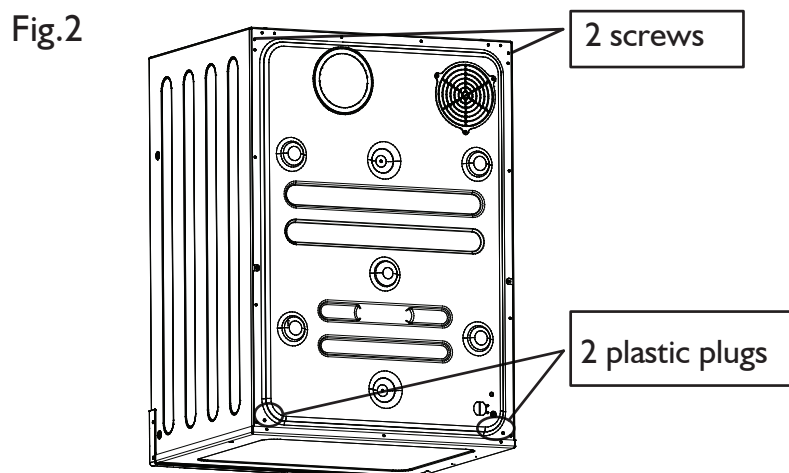
2. Fix the wall hanging brackets to the wall securely (eg. into the stud).

If the studs are too far apart, fit a timber slat to the studs then mount the brackets onto the slat. The distance between each is 553 mm as per diagram (Fig.1).

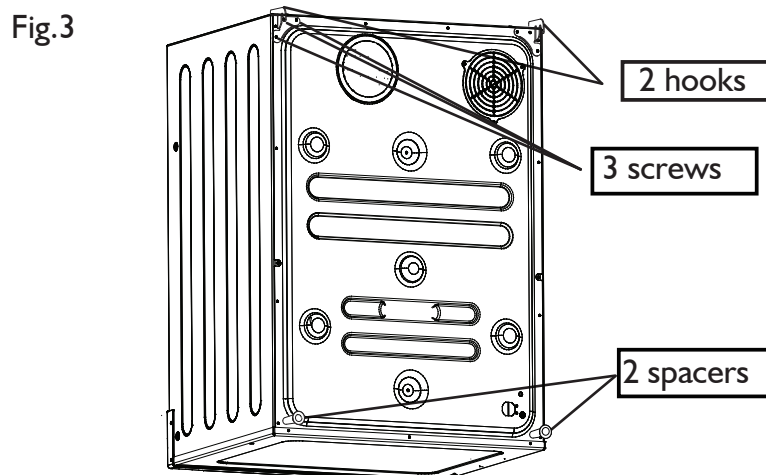


Warning: Ensure that the screw and nut of the Wall Hanging Brackets are tightened during installation, if required. Regularly check all the screws and nuts and tighten, if required. Do not overtighten.

3. Keep the exhaust grill at front of the dryer, then install the hooks to the dryer, in the inverted position. Remove the 2 screws and 2 plastic plugs as indicated in Fig.2.



4. Align the hooks as shown in fig.3 and refit screws tightly. Install the spacers provided in Fig.3.



INSTALLATION INSTRUCTIONS

5. With assistance, mount dryer on wall brackets. See Fig.4.

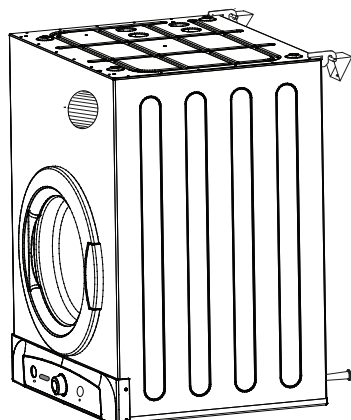
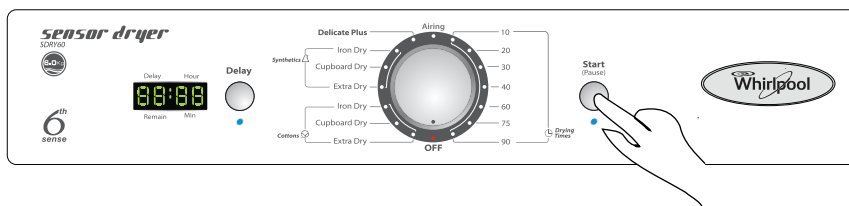


Fig.4

6. A second control panel film with inverted symbols is supplied. To fit this film, pull off the knob and then remove the old film. Peel the release paper from the back of inverted film, then place new control panel film on the surface so that the writing is the correct way around.



7. Press the Start/Pause button and hold it in the pressed position, and at the same time, turn the program dial knob from the OFF position to any other program, until the inversion is displayed.

Caution:

Plug must be accessible after installation.

Stacking installation

You can use a stacking kit (included as an accessory) if you want to mount your dryer on the top of a Whirlpool front load washing machine, ensure the washer is the same width as the dryer.

1. Remove 4 screws among screws on the bottom panel (see fig.1), and install the stacking kit on the bottom panel (see fig.2).

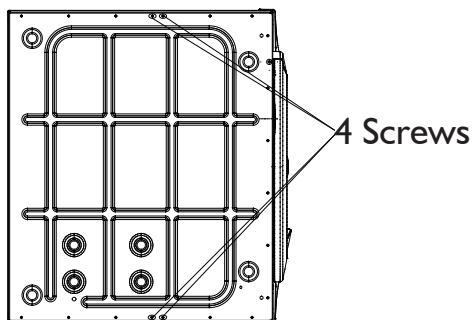


Fig.1

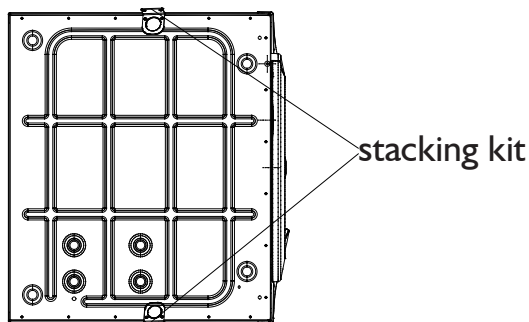


Fig.2

INSTALLATION INSTRUCTIONS

2. Install the dryer with stacking kit on the top of the front load washing machine (Fig.3). Drill two holes on both sides of washer with 2.9mm diameter drill. Detailed drill position as shown on the stacking kit. Make sure the included screws are used. Fix the stacking kit on the top cover of washing machine, as shown on Fig.4.

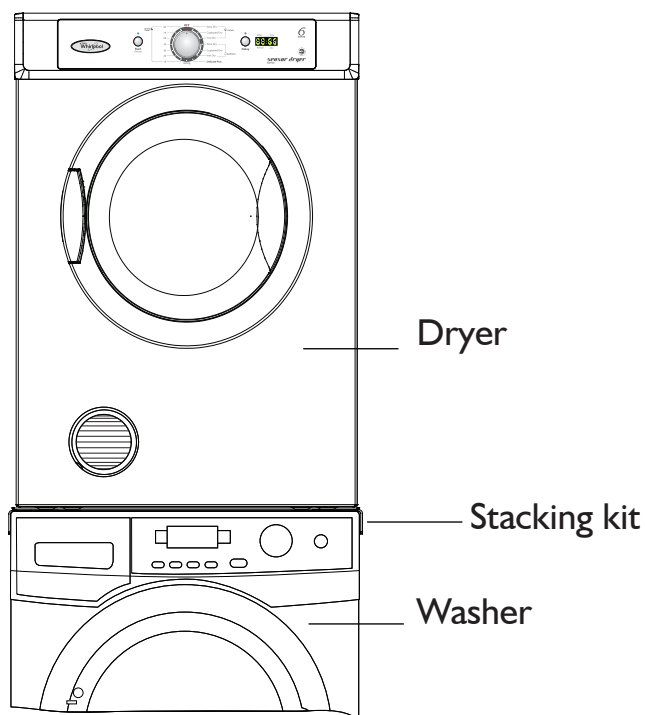


Fig.3

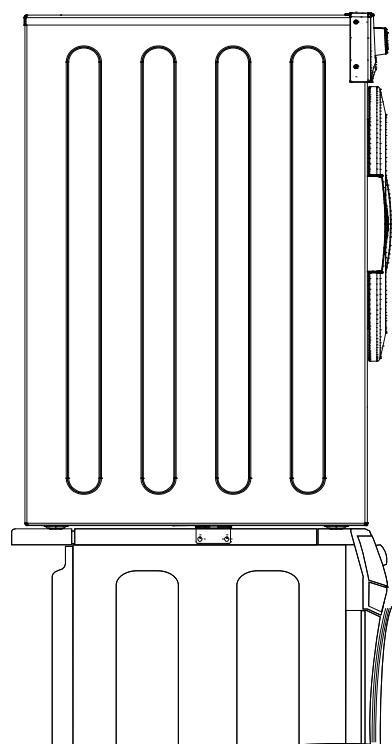


Fig.4

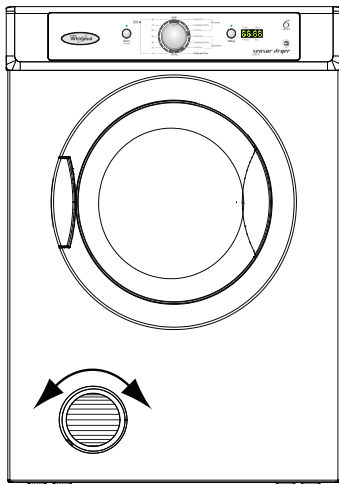
INSTALLATION INSTRUCTIONS

Change the venting mode

There are three venting options:

- **Front venting**

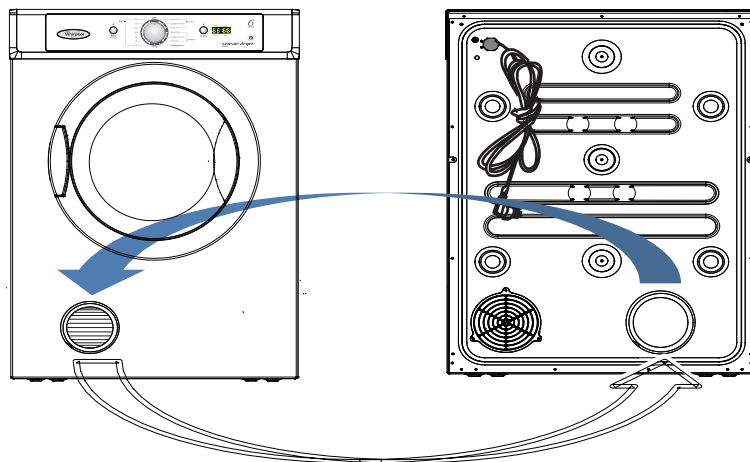
The exhaust grill has a range of positions, which allows you to select the optimum exhaust air angle. Simply hold the grill and rotate it until you reach the desired position.



Note: If the dryer is mounted on the wall you must use the front venting option.

- **Rear venting**

If you want to choose the rear venting mode, the exhaust grill at the front of the dryer needs to be replaced with the outlet cover from the back panel of the dryer. Gently open the grill, using a thin tool such as a key. Next, remove the cover from the back panel and clip it into the grill space at the front panel. The exhaust grill is not required when using a flexible hose.

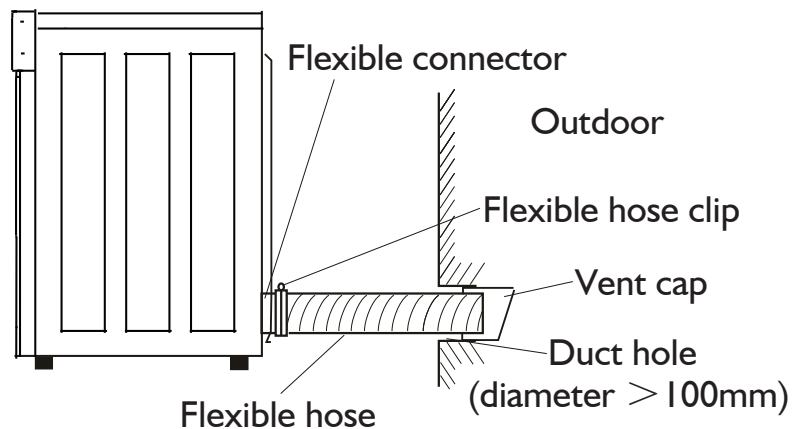


Note: If the dryer used rear venting option without the flexible hose, it must be kept away from the wall not less than 50cm.

INSTALLATION INSTRUCTIONS

• INSTALL THE FLEXIBLE HOSE (optional Flexible hose)

Connect the narrow end of the connector to the dryer duct pipe mouth at the back of the dryer. Then connect the flexible hose to the wide end of the connector. Use the clip to fasten connection point between the flexible hose and connector (fasten clip with a screwdriver). Extend the flexible hose through the duct hole, make sure the flexible hose is not twisted to allow the air to be vented outside.



Notes: If duct hole is not available at user's home, make sure the flexible hose is vented through a window.

The flexible hose should be angled or ensure a vent cap is fitted when vented outside to avoid water running back into the dryer.

Correct fixing mode:

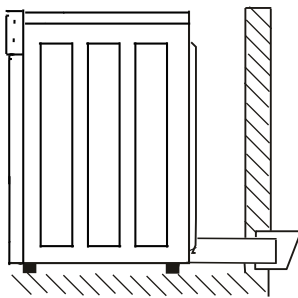


Fig. 1

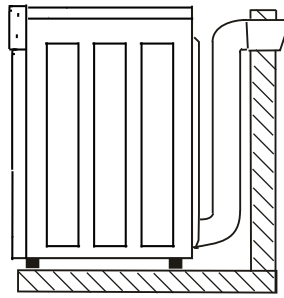


Fig. 2

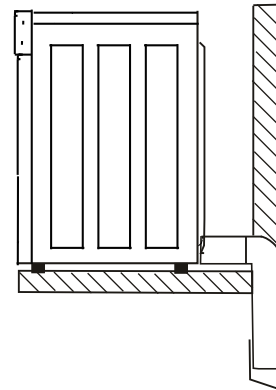
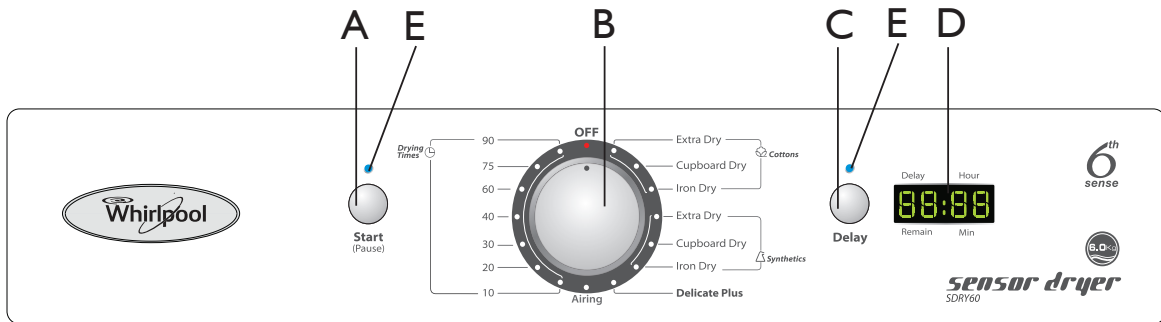


Fig. 3

CONTROL PANEL



A - Start/Pause button

After selecting your desired drying program, press this button to start the dryer. To pause the dryer while in operation, press this button again.

B - Program control knob

Turn this knob to choose the drying program you desire. This dryer has 15 program options available for you to choose.

C - Delay button

You may choose to start the dryer after a preset time. The delay range is between 1 and 12 hours. Gently touch the delay button before a program starts, each touch will add one hour. When in excess of 12 hours, the remaining time will be re-displayed. After a delay time is set, touch the Start/Pause button to start the delay operation and the indicator light will flash.

D - LED screen

This screen displays the remaining time for a program and the delay time.

E - Indicator light

OPERATING INSTRUCTIONS





1. Power up

Insert the power plug into an appropriate power outlet that is properly installed and grounded. Operating power supply: 220-240V~50Hz.

2. Laundry loading

Open the door and load the laundry into the drum of the dryer. For a more energy efficient and better drying result, make sure the load has been spun dry. Try to loosen the load when placing in the dryer.

Note: Check labels on clothing before placing them in the dryer. Some articles are not suitable for machine dry. High temperature may damage the fabric.

	May be tumble dried
	Do not tumble dry
	Normal drying (high temperature)
	Air dry or delicate drying (low temperature)


OPERATING INSTRUCTIONS

3. Selecting programme

Turn the program knob to set your desired drying program.

a. Sensor Programs

When sensor program is selected, dryness of the load will be sensed and dryer will automatically turn itself off while the clothes have dried to the dryness level selected.

Programme	Drying level	Type of textile	Fabrics	Max. load kg	Approximate drying times (in minutes)
Cotton	Extra Dry*	Multi-layered, thick laundry such as: terry towels, dishcloths and dry towels, bed linen, underwear, terry towelling bath robes.	Cotton or linen hot wash/coloured laundry	6.0	165'
	Cupboard dry**	Similar types of laundry which do not require ironing such as: dry towels, bed linen underwear, baby clothes, T-shirts, cotton socks.			150'
	Iron dry**	Laundry which requires ironing such as: bed and table linen, dry towels, T-shirts, polo shirts, work clothes.			110'
Synthetics	Extra Dry**	Laundry with thick, multi-layer areas such as: bed and table linen, track suits, anoraks, blankets.	Synthetic, mixed fibre or cotton easy care (ironing not required) laundry	3.0	70'
	Cupboard dry**	Laundry which does not require ironing such as: shirts, blouses, T-shirts, sportswear.			60'
	Iron dry**	Laundry which requires ironing such as: trousers, dresses, skirts, shirts, blouses.			45'
Delicate plus	Cupboard dry**	Low drying intensity for delicates and items labelled with  , such as: trousers, dresses, shirts, blouses.	Laundry made from synthetic fibres, such as polyamide, nylon, polyacrylic, etc.	2.5	55'

*) Test programme in accordance AS/NZS2442.2

**) Test programme in accordance EN61121

b. Timer Programs

It is suitable for all fabrics, completes drying for Min. 3-5 full size textiles.

c. Airing Program

Laundry is aired and refreshed for 30 minutes without heating.

4. Delay setting

You may choose to start the dryer after a preset time. The delay range is between 1 and 12 hours.

5. Program operation

After a program is set, press the “START/PAUSE” button to start the program. If you want to change the programme after the program has started, first you must press the “START/PAUSE” button, and then you can choose the program. If you want to add or remove laundry in standby mode, you can operate directly and then press the “START/PAUSE” button to start the dryer.

Drum reversal: The dryer is designed to rotate in each direction, clockwise and anti-clockwise in a certain period to minimize tangling and ensure clothes dry efficiently.

OPERATING INSTRUCTIONS

6. Program completion

If the display screen display “0.09”, the program comes into the cool phase. After the program is complete, the dryer will stop tumbling and the display screen will display “End”. Open the door and remove the laundry.

If the laundry is not removed, the dryer will automatically commence an "anti-crease" protection cycle to keep your laundry from settling in one position and creasing. This cycle will last an hour unless the door is opened. The dryer will run with cool air at set intervals. To stop the anti-crease cycle press the start button or open the door, empty the dryer and turn off as shown below.

7. Turning off the dryer

Turn the program knob to the “OFF” position and turn the power off at the wall.

Note: Clean the filter after each load.

Attention:

1. Before operation, clean off any dust and dirt inside the drum of the dryer with a damp towel.
2. Clean off any debris on the lint filter and in the duct to increase the drying efficiency.

Turning on power

Before turning on the power of the dryer, check:

- Whether the supply voltage is in accordance with the value indicated on the name plate.
- The dryer must be grounded securely.

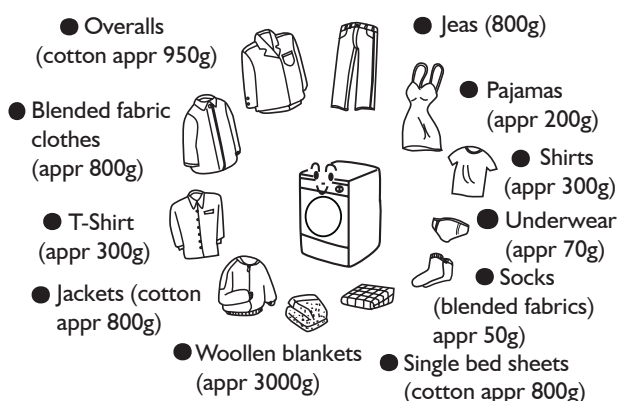
Treatment of laundry to be dried

- Check whether the laundry to be dried is suitable to be placed in the dryer.
- The dryer can only dry laundry which has been spun dry. Do not put in laundry which is still dripping wet or has excess water.
- Make sure all pockets are empty before placing laundry in the dryer.
- Pull up zippers, mend loosened fasteners and tie up ribbons to prevent the laundry from being entangled. If necessary, put small items in a laundry bag.
- To achieve a better drying result, ensure sort your laundry according to their types and thicknesses. Dry the same types of items together.

Warning:

1. Laundry items with metal attachments may damage your dryer.
2. Do not dry items such as woollen, silk and nylon stockings, delicate embroidered fabrics in the machine.
3. Do not put an excess amount of laundry into the dryer to avoid damage to the dryer or laundry.
4. Do not dry shoes or other rubber items in the dryer.

Reference weight of fabrics for drying



CLEANING AND MAINTENANCE

WARNING! Unplug the power cord prior to any cleaning

Cleaning the surface

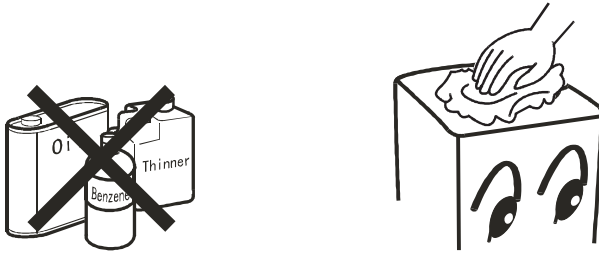
Wipe off any dust or dirt.

Note: Do not use excessive water, a damp cloth is fine.

Do not use solvent.

Do not use spray cleaners when cleaning the interior.

Do not use harsh or abrasive cleaners.

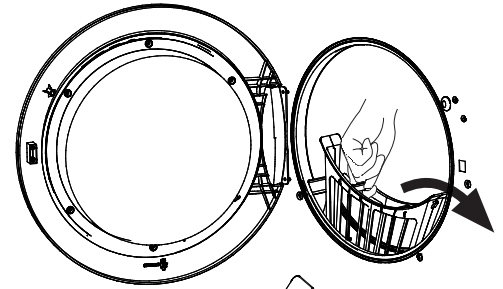


Cleaning the filter screen

To ensure good ventilation during drying, the filter screen must be cleaned before or after each use.

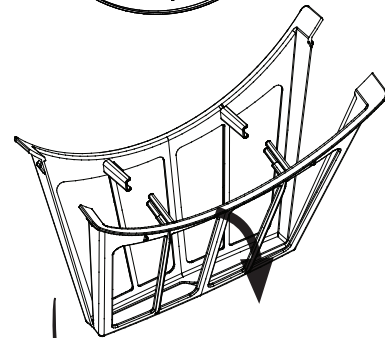
1. Remove the filter

Gently pull out the filter screen towards yourself.



2. Cleaning the filter

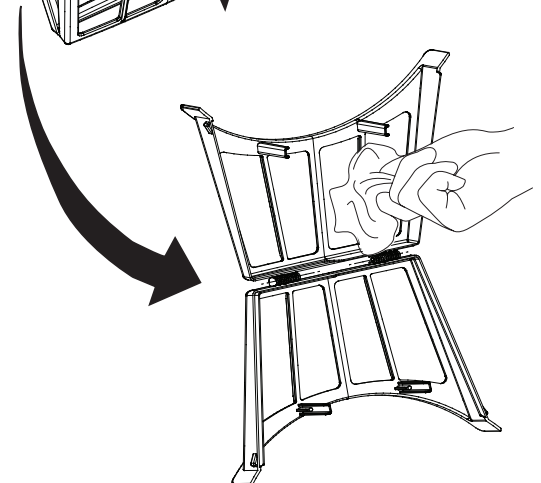
Remove the lint with a soft brush or vacuum cleaner. Be careful not to damage the filters.



3. Re-installing the filter

After cleaning filters, put the screen back in place.

Note: Never operate your dryer without the lint filter.

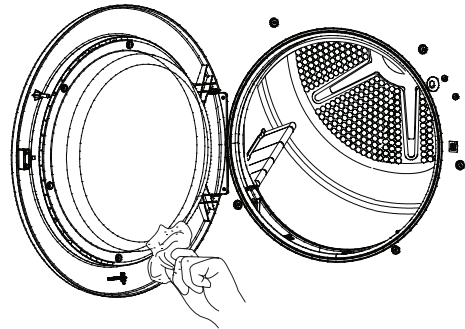


CLEANING AND MAINTENANCE

Cleaning the door airproof strip

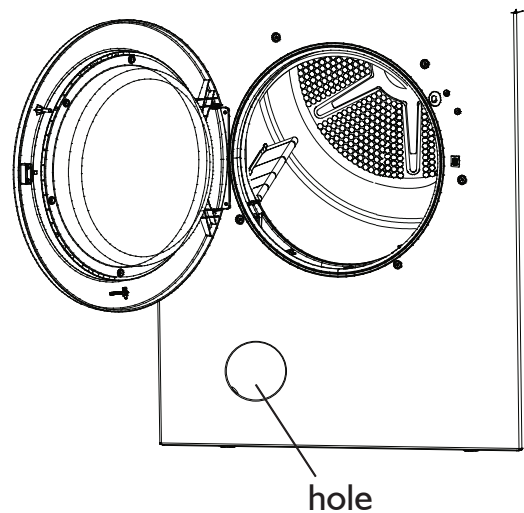
Remove the lint with a soft brush or a wet cloth.
Be careful not to damage the airproof strip.
Remove any remaining lint from the lint screen on the door at the same time.

Note: The door airproof strip must be cleaned before or after each use, or the dryer may be leak from the door in the operation.



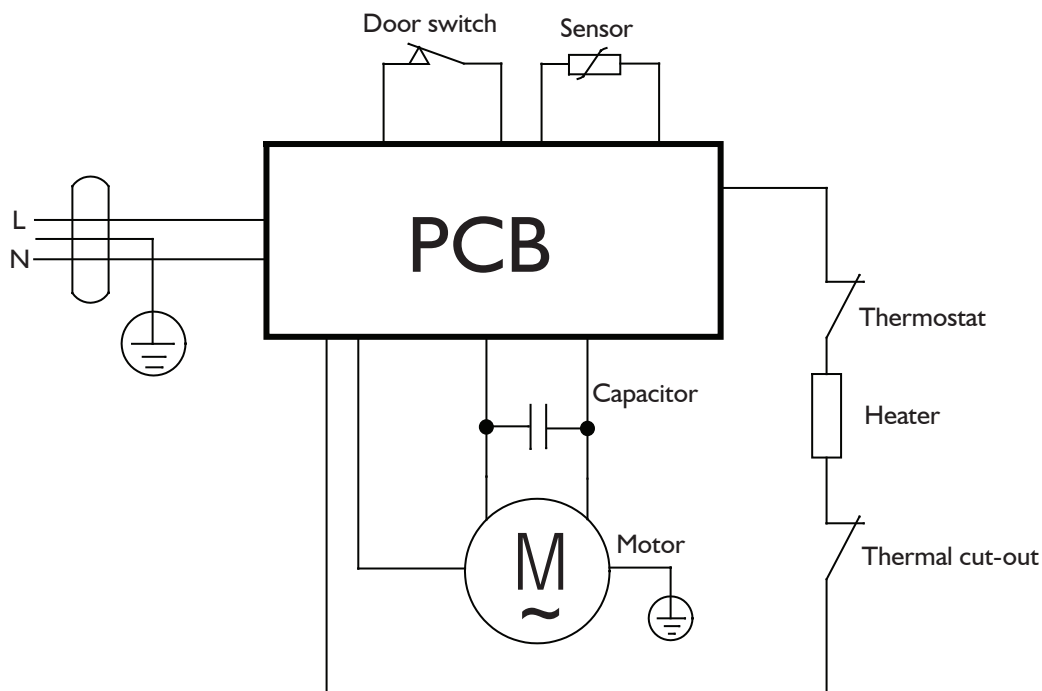
Cleaning the lint in the exhaust conduit

1. Remove the outlet cover or the exhaust grill in the trunk.
2. Take off the filter.
3. Clean the lint on the Sensor inner the exhaust conduit with a tool.
4. Clean the lint in the area of the exhaust conduit with a soft brush from the hole.



Note: If there is too much lint in the exhaust conduit, it could result in inefficient drying, it must be cleaned periodically.

WIRING CIRCUIT



SPECIFICATIONS

ITEM \ TYPE	SDRY60
Power supply	(220-240)V~ · 50Hz
Maximum operating current (A)	10
Rated load (kg)	6
Drying program	15
Maximum power (W)	2100
Dimensions (HxDxW) mm	830x560x600
Weight (kg)	30
Waterproof degree	IPX4

TROUBLESHOOTING GUIDE

If a fault occurs, before contacting Whirlpool customer service, make the following checks to try and remedy the problem:

Problem	Cause	Explanation / Suggestion
Machine does not switch on, or the programme does not start	The product may not have been plugged in, or turned on	Make sure the power cord is plugged in and machine is turned on
	Door is not closed properly	Ensure that the loading door is properly closed
	Programme may not have been set	Check the programme has been selected
	Start/Pause button may not have been pressed	Ensure Start/Pause button has been pressed
Laundry is still wet at the end of cycle	The filter may need cleaning	Clean filter after each load
	The machine may be overloaded	Check the load does not exceed the maximum capacity for the product
	The programme has been selected is not correct	Select a suitable programme according to programme chart
	The laundry before being loaded into machine is not spum dry	Do not put in laundry which is still dripping wet or has excess water
Drying process takes too long	The filter may need cleaning	Clean filter after each load
Programme has been interrupted without any cause	The loading door may be ajar.	Ensure the loading door is properly closed
	The power supply may have been cut off to the machine	Ensure there is no power failure, check the power cord is plugged in
Laundry has shrunk, become felted, or deteriorated	A programme not suitable for the type of laundry may have been used	Select a suitable programme after checking the care label on your laundry
Indicator light blink rapidly	A fault occurs	Switch off power and check
Noises	It's normal to hear wind sound and rubbing noise during drying process	
	The dryer is not placed horizontal	Place the dryer in horizontal floor
F3	The NTC is failure	Replace the NTC
F4	The heater is failure	Switch off power and replace the heater

Whirlpool Customer Service

Before contacting Whirlpool customer service:

1. Try to remedy the problem yourself (see “Troubleshooting Guide”).
2. Restart the programme to check whether the problem solved itself.
3. If the dryer machine continues to function incorrectly, call Whirlpool customer service.

Specify:

- The nature of the problem.
- The dryer machine model.
- Serial number.

Service Model:SDRY60 Serial No.:
--

The Whirlpool customer service sticker can be found inside the door.

- Your full address.
- Your telephone number and area code.

Whirlpool customer service phone number is given on the guarantee card.

Alternatively, consult the dealer where you purchased the appliance.