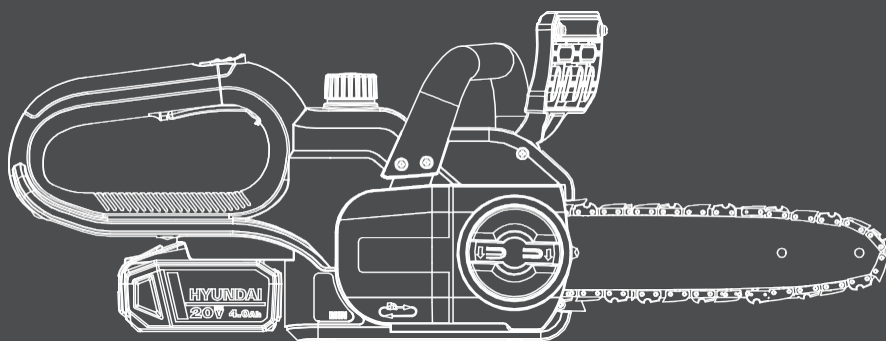


HYUNDAI
POWER PRODUCTS

CORDLESS CHAINSAW HY20CCS10

INSTRUCTION MANUAL



WARNING: READ THE INSTRUCTIONS CAREFULLY BEFORE USE.

ISS: NOV/24

Contents

Introduction.....	3
Safety Information.....	4
Unboxing.....	23
In The Box/Features.....	24
Assembly.....	28
Operation.....	35
Maintenance & Care.....	41
Technical Data.....	47
Recycling & Disposal.....	48
EU Declaration Of Conformity.....	50
Notes.....	51
Useful Information.....	52
Product record.....	53
Contact Us.....	54

Introduction

Thank You For Purchasing Your HYUNDAI Product

We work very hard to give all of our customers the best possible service. If you have any problems, before leaving negative feedback, please contact us to give us a chance to resolve the issue. We would be delighted if you left us positive feedback! Thank you for purchasing this product.

Important!



WARNING: READ THE INSTRUCTION BOOKLET THOROUGHLY BEFORE USING THE MACHINE. Keep for future reference and pass it on if the machine is loaned or sold to another user.

This manual has been prepared by Hyundai Power Products and should remain with the product. Please read and fully understand these instructions before using your product. Failure to do so may result in personal injury or cause damage to the product.

The safety precautions and warnings provided are designed to prevent misuse, ensuring your safety and protecting the product from damage.

While the information in this manual was accurate at the time of publication, Hyundai Power Products reserves the right to make modifications to the product without prior notice.

For the latest version of this manual, please visit hyundaipowerequipment.co.uk.

Safety Information

General Power Tool Safety Warnings

WARNING Read all safety warnings, instructions, illustrations and specifications provided with this power tool. Failure to follow all instructions listed below may result in electric shock, fire and/or serious injury.

Save all warnings and instructions for future reference.

The term "power tool" in the warnings refers to your mains-operated (corded) power tool or battery-operated (cordless) power tool.

Work Area Safety

- Keep the work area clean and well-lit. Cluttered or poorly lit spaces can lead to accidents.
- Avoid operating power tools in explosive environments, such as areas with flammable liquids, gases, or dust. Power tools can produce sparks that may ignite these substances.
- Keep children and bystanders at a safe distance while using a power tool.
- Distractions can cause you to lose control of the tool, increasing the risk of accidents.

Electrical Safety

- Power tool plugs must match the outlet. Never modify the plug in any way, and do not use adapter plugs with earthed (grounded) power tools. Unaltered plugs and matching outlets help reduce the risk of electric shock.
- Avoid body contact with earthed or grounded surfaces, such as pipes, radiators, stoves, or refrigerators. Contact with grounded surfaces increases the risk of electric shock.
- Do not expose power tools to rain or wet conditions. Water entering a power tool significantly increases the risk of electric shock.
- Do not misuse the power cord. Never use the cord to carry, pull, or unplug the power tool. Keep the cord away from heat, oil, sharp edges, or moving parts. Damaged or tangled cords elevate the risk of electric shock.
- When operating a power tool outdoors, always use an extension cord rated for outdoor use. This reduces the risk of electric shock.
- If using a power tool in a damp location is unavoidable, ensure the power supply is protected by a residual current device (RCD). An RCD significantly reduces the risk of electric shock.

www.hyundaipowerproducts.co.uk

Safety Information

Personal Safety

- Stay alert, pay attention to what you are doing, and use common sense when operating a power tool. Avoid using power tools if you are tired or under the influence of drugs, alcohol, or medication. A moment of inattention while operating power tools can lead to serious personal injury.
- Always use personal protective equipment. Wear eye protection, and use other appropriate safety gear such as a dust mask, non-slip safety shoes, a hard hat, or hearing protection, depending on the task. Proper protective equipment minimizes the risk of injury.
- Prevent unintentional starting. Ensure the switch is in the "off" position before connecting to a power source or battery pack, or when picking up or carrying the tool. Carrying tools with your finger on the switch or turning on tools accidentally can result in accidents.
- Remove any adjusting key or wrench before starting the power tool. Leaving a wrench or key attached to a rotating part of the tool can cause personal injury.
- Maintain proper footing and balance at all times. Avoid overreaching to ensure better control of the power tool in unexpected situations.
- Dress appropriately. Do not wear loose clothing or jewellery, and keep your hair and clothing away from moving parts. Loose items can become entangled in the tool's moving components, leading to injury.
- If the tool is equipped with dust extraction or collection facilities, ensure they are properly connected and used. Proper use of these features reduces dust-related hazards.
- Do not let familiarity gained from frequent tool use cause complacency. Even a moment of carelessness can result in severe injury.

Safety Information

⚠ Machine Specific Safety

IMPORTANT: Read the owner's manual carefully to understand how to operate this machine properly.

You should **NEVER** use the machine when;

- Wearing loose clothing, barefoot or sandals.
- Under the influence of drink or drugs or as a result of having taken medication for cold or flu, or any other times when a possibility exists that your judgement might be impaired or that you might not be able to operate the machine properly and in a safe manner.
- Suffering from exhaustion or lack of sleep.
- When the ground is slippery or when other conditions exist which might make it not possible to maintain a steady posture.
- At night, at times of heavy fog, or at any other times when your field of vision might be limited and it would be difficult to gain a clear view of the area.
- During rain storms, lightning storms, at times of strong or gale force winds, or at any other times when the weather conditions might make it unsafe to use this product.

IMPORTANT: When using this machine for the first time and before actual work, you **MUST** learn how to handle the machine from an experienced or skilled person. **Please adhere to the following:**

- Limit the amount of time using the machine continuously to somewhere around 10 minutes per session and take 10 to 20 minutes of rest between sessions. Also try to keep the total amount of work in a single day limited to 2 hours or less.
- NEVER allow children or anyone unable to fully understand the directions given in this manual to operate this product.
- Make sure you keep this manual handy so you may refer to it whenever questions arise and ensure you pass this manual on if the machine is loaned or sold.
- Correct Personal Protective Equipment (PPE) **MUST** be worn at all times when operating or repairing this machine. This should include but is not limited to;



HAND
PROTECTION
MUST BE WORN



EYE
PROTECTION
MUST BE WORN



PROTECTIVE
CLOTHING
MUST BE WORN



HEARING
PROTECTION
MUST BE WORN



FOOT
PROTECTION
MUST BE WORN



HEAD
PROTECTION
MUST BE WORN



RESPIRATOR
MUST BE WORN



FACE SHIELD
MUST BE WORN

Safety Information

Machine Specific Safety (Continued)

IMPORTANT: It is also advisable to carry the following equipment:

- Chainsaw tools and files.
- Reserve fuel and oil.
- Items to cordon your work area off and appropriate warning signs.
Emergency whistle.
- Saw and Hatchet for the removal of obstacles.

IMPORTANT: Chainsaw safety kit must be worn when using this equipment. Only to be used by trained, experienced operators.

It is vital for safety of yourself and others that you have undertaken a chainsaw handling course before using this chainsaw and/or any other chainsaw for the first time.

You must be fully competent with how to handle a chainsaw safely, both during and between use.

Safety Information

Personal Safety (When Using the Chainsaw)

- **Long hair can get caught in the chainsaw during operation, leading to serious injury.** Tie up and secure long hair so it is above shoulder level.
- **Objects may be ejected at high speeds while using the chainsaw, which can cause injury.** Wear snug-fitting safety glasses. Ensure the safety glasses comply with EN 166 standards or national regulations and have the appropriate markings. These are widely available commercially. We recommend using a face mask for additional protection. Wear a close-fitting, long-sleeved shirt.
- **Falling objects pose a risk of head injuries.** If there is a chance of falling objects during work, wear a hard hat.
- **Dust stirred up during operation can irritate the respiratory system and trigger allergic reactions.** If dust is present or airborne, wear a dust respirator mask.
- **Loose clothing can snag on wood, brush, or the chainsaw, which may result in severe injury.** Wear close-fitting clothing. Remove any scarves and jewellery before operating the chainsaw.
- **Risk of contact with the moving saw chain while operating the equipment: This can lead to serious injuries.** Wear long trousers with cut-resistant protection.
- **Risk of injury from sharp wood or contact with the saw chain during cleaning or maintenance: This may cause harm to the user.** Use durable work gloves made from resistant material.
- **Risk of slipping due to inappropriate footwear: Slipping may result in contact with the moving saw chain, leading to cuts and injuries.** Wear chainsaw boots with cut protection.

Power Tool Use and Care

- Do not force the power tool. Always use the correct tool for your application. The right power tool will perform the task more efficiently and safely when used as intended.
- Do not operate the power tool if the switch fails to turn it on or off. A tool that cannot be properly controlled is hazardous and must be repaired.
- Disconnect the plug from the power source and/or remove the battery pack (if detachable) before making any adjustments, changing accessories, or storing the power tool.

Safety Information

- Store idle power tools out of the reach of children, and do not allow individuals unfamiliar with the tool or its instructions to operate it. Power tools are dangerous when handled by untrained users.
- Maintain power tools and accessories regularly. Inspect for misalignment, binding of moving parts, broken components, or any condition that could impact the tool's performance. If damaged, ensure the tool is repaired before use. Poorly maintained power tools are a common cause of accidents.
- Keep cutting tools sharp and clean. Properly maintained tools with sharp edges are easier to control and less likely to bind.
- Always use the power tool, accessories, and tool bits as directed, considering the specific working conditions and tasks to be performed. Using the tool for unintended purposes can create hazardous situations.
- Ensure handles and gripping surfaces are dry, clean, and free from oil or grease. Slippery surfaces reduce safe handling and control, especially in unexpected situations.

Battery Tool Use and Care

- Recharge only with the charger specified by the manufacturer. Using a charger designed for a different type of battery pack may pose a fire hazard.
- Use power tools only with the designated battery packs. Using incompatible battery packs can increase the risk of injury and fire.
- When the battery pack is not in use, keep it away from metal objects such as paper clips, coins, keys, nails, screws, or other small metal items that could create a connection between the terminals. Short-circuiting the battery terminals may result in burns or a fire.
- Under abusive conditions, liquid may be ejected from the battery. Avoid contact with this liquid. If accidental contact occurs, rinse with water immediately. If the liquid comes into contact with eyes, seek medical attention as it may cause irritation or burns.
- Do not use a damaged or modified battery pack or tool. Damaged or modified batteries can behave unpredictably, leading to fire, explosion, or injury risks.
- Do not expose the battery pack or tool to fire or excessive heat. Temperatures above 130 °C may cause the battery to explode.
- Always follow the charging instructions provided and charge the battery pack or tool only within the specified temperature range. Charging outside the recommended range or improperly may damage the battery and increase the risk of fire.

Safety Information

Service

- Have your power tool serviced by a qualified repair person using only identical replacement parts. This will ensure that the safety of the power tool is maintained.
- Never service damaged battery packs. Service of battery packs should only be performed by the manufacturer or authorised service providers.

General Chainsaw Safety Warnings

- Keep all parts of your body away from the saw chain when the chainsaw is in operation. Before starting the chainsaw, ensure the saw chain is not in contact with any objects. A moment of inattention can result in the saw chain entangling with clothing or body parts, leading to serious injury.
- Always hold the chainsaw correctly, with your right hand on the rear handle and your left hand on the front handle. Reversing this hand configuration significantly increases the risk of injury and must be avoided.
- Use only the insulated gripping surfaces of the chainsaw. The saw chain may come into contact with hidden wiring, and contact with a "live" wire can electrify exposed metal parts of the chainsaw, causing electric shock.
- Wear safety glasses and consider additional protective equipment, such as hearing protection, a helmet, gloves, leg guards, and sturdy footwear. Proper protective clothing minimises the risk of injury from flying debris or accidental contact with the saw chain.
- Do not operate a chainsaw from a tree, ladder, rooftop, or any unstable surface. Using a chainsaw in such conditions could result in severe injury.
- Maintain proper footing and use the chainsaw only on stable, level, and secure surfaces. Slippery or uneven surfaces can lead to a loss of balance and control of the tool.
- Be cautious when cutting limbs under tension. The release of tension in wood fibres may cause the limb to spring back, potentially striking the operator or throwing the chainsaw out of control.

Safety Information

- **Cutting Brush and Saplings:** Exercise extreme caution when cutting brush and saplings. Slender materials may catch the saw chain, whipping toward you or pulling you off balance.
- **Carrying and Transporting the Chainsaw:** Always carry the chainsaw by the front handle with the tool switched off and positioned away from your body. When transporting or storing, ensure the guide bar cover is fitted to reduce the risk of accidental contact with the moving saw chain.
- **Lubrication, Chain Tensioning, and Maintenance:** Follow the manufacturer's instructions for proper lubrication, chain tensioning, and replacing the bar and chain. An improperly tensioned or lubricated chain can break or increase the risk of kickback.
- **Intended Use:** Use the chainsaw exclusively for cutting wood. Do not attempt to cut metal, plastic, masonry, or other non-wood materials. Using the chainsaw for unintended purposes can create hazardous situations.
- **Tree Felling:** Do not attempt to fell a tree without a thorough understanding of the risks and how to mitigate them. Tree felling poses significant risks to the operator and bystanders if not conducted properly.
- **Clearing Jams, Storing, or Servicing:** Always switch off the chainsaw and remove the battery pack before clearing jammed material, storing, or performing maintenance. Failure to do so may result in unexpected activation and serious personal injury.
- **First-Time Users:** For first-time users, it is strongly recommended you have received adequate training to ensure a safe level of competency before use.
- **Sharpening and Maintenance:** It is recommended to have the saw chain sharpened and maintained by authorised service centres to ensure safety and optimal performance.

Causes and Operator Prevention of Kickback

IMPORTANT: Kickback may occur if the nose or tip of the guide bar contacts an object, or if the wood closes in and pinches the saw chain during a cut.

In some cases, contact with the tip can cause a sudden reverse reaction, rapidly kicking the guide bar up and back toward the operator. Similarly, pinching the saw chain along the top of the guide bar may push the guide bar quickly back toward the operator. Both of these reactions can cause a loss of control, potentially resulting in serious personal injury. Do not rely solely on the safety features built into your saw.

As a chainsaw user, you should take several proactive steps to prevent accidents and injuries during cutting operations. Kickback is typically caused by chainsaw misuse, improper operating procedures, or unfavourable conditions. It can be avoided by following the proper precautions outlined on the following page (Page 9):

Safety Information

Maintain Proper Handling and Safety

- Always maintain a firm grip on the chainsaw, with your thumbs and fingers fully encircling the handles. Use both hands to hold the saw securely, positioning your body and arms to resist kickback forces. Proper precautions allow kickback forces to be controlled by the operator. Never release your grip on the chainsaw.
- Avoid overreaching and cutting above shoulder height. This reduces the risk of unintended tip contact and ensures better control in unexpected situations.
- Only use replacement guide bars and chains specified by the manufacturer. Using incorrect replacements may result in chain breakage and/or increased kickback.
- Follow the manufacturer's instructions for sharpening and maintaining the saw chain. Reducing the depth gauge height can significantly increase the risk of kickback.

Residual Risks

Even with proper use, there are always residual risks associated with chainsaw operation that cannot be entirely eliminated. Based on the type and construction of the appliance, the following potential hazards may apply:

- Contact with exposed saw teeth on the chain (cutting hazards).
- Accidental access to the rotating saw chain (cutting hazards).
- Sudden, unforeseen movement of the guide bar (cutting hazards).
- Parts ejected from the saw chain (cutting/injection hazards).
- Ejection of fragments from the workpiece.
- Skin contact with the oil.
- Hearing loss if proper ear protection is not used during operation.

Instructions and Proper Techniques for Basic Felling, Limbing, and Cross-Cutting

IMPORTANT: The following techniques are intended to be used only as a reference. ALWAYS exercise caution when carrying out any chain-sawing task. Seek the assistance of a professional, if necessary.

1. Felling a Tree

- When bucking and felling operations involve two or more persons, ensure the felling area is at least twice the height of the tree away from the bucking area.
- Trees must not be felled in a way that endangers people, strikes utility lines, or causes property damage. If a tree contacts a utility line, notify the utility company immediately.

www.hyundaipowerproducts.co.uk

Safety Information

- The chainsaw operator should remain on the uphill side of the terrain, as the tree may roll or slide downhill after being felled.
- Plan and clear an escape path before starting any cuts. The escape path should extend backward and diagonally to the rear of the tree's expected fall line, as shown in Figure 1.
- Before felling begins, assess the natural lean of the tree, the position of larger branches, and the wind direction to determine the likely direction of the tree's fall.
- Remove any dirt, stones, loose bark, nails, staples, or wire from the tree to ensure a safer operation.

2. Notching Under Cut

Create a notch equal to 1/3 the tree's diameter, ensuring it is perpendicular to the intended direction of the fall (as shown in Figure 1).

- Begin with the lower horizontal notching cut (W). This helps prevent the saw chain or guide bar from becoming pinched while making the second cut (X).

3. Felling Back Cut

Make the felling back cut (Y) at least 50 mm higher than the horizontal notching cut, as shown in Figure 1. Ensure the back cut is parallel to the horizontal notching cut. Leave enough wood in the hinge to guide the tree's fall, preventing it from twisting or falling in the wrong direction. **Do not cut through the hinge.**

As the back cut nears the hinge, the tree should start to fall. If there is a risk that the tree may not fall in the desired direction or may rock back and bind the saw chain, stop cutting before completing the back cut. Use wedges made of wood, plastic, or aluminium (Z) to open the cut and guide the tree along the intended line of fall (3).

When the tree begins to fall, remove the chainsaw from the cut, stop the motor, and place the chainsaw down. Follow your planned retreat path (2). Stay alert for falling overhead limbs and ensure stable footing at all times.

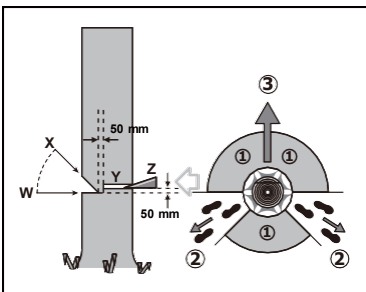


Figure 1

Safety Information

4. Limbing a Tree

Limbing involves removing branches from a fallen tree. To ensure stability, leave larger lower limbs intact to support the log above the ground. Remove smaller limbs in a single cut, as shown in Figure 2. For branches under tension, make the cuts from the bottom upward to prevent the chainsaw from binding.

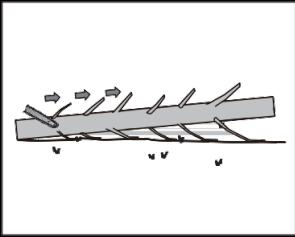


Figure 2

5. Bucking a Log

Bucking refers to cutting a log into smaller lengths. To ensure safety and efficiency:

- Maintain firm footing and distribute your weight evenly on both feet.
- Whenever possible, raise and support the log using limbs, other logs, or chocks.

For easier cutting, follow these guidelines:

- When the log is supported along its entire length (as shown in Figure 3), cut from the top (overbuck).
- Avoid contact with the ground during cutting, as this can significantly dull the chain.

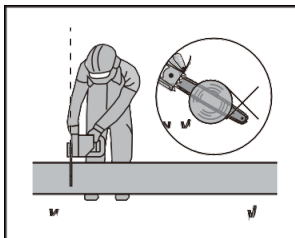


Figure 3

Safety Information

When the log is supported at one end (see Figure 4):

- Begin by cutting one-third of the log's diameter from the underside (underbuck).
- Complete the cut by overbucking from the top, ensuring the second cut meets the first.

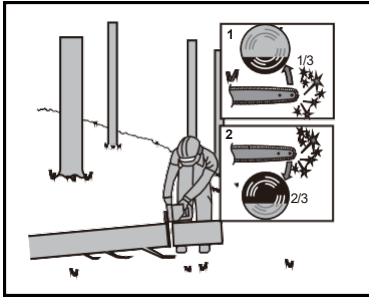


Figure 4

When the log is supported at both ends (as shown in Figure 5), begin by cutting through the top third of the log's diameter (overbucking) (1). Next, complete the cut by underbucking through the lower two-thirds, ensuring the cuts meet.

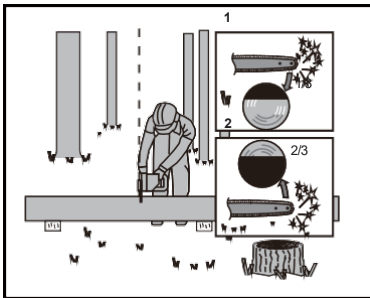


Figure 5

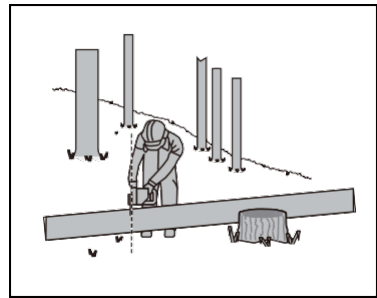


Figure 6

When bucking on a slope, always stand on the uphill side of the log, as shown in Figure 6.

When "cutting through," maintain full control by gradually releasing cutting pressure near the end of the cut while keeping a firm grip on the chainsaw handles. Avoid allowing the chain to contact the ground.

After completing the cut, wait for the saw chain to come to a complete stop before moving the chainsaw. Always turn off the motor before moving from tree to tree.

Safety Information

Safety Warnings for Lithium Battery Pack

WARNING: DO NOT use these batteries if they become damaged, swollen or hot during charging or use.


WARNING: DO NOT charge these batteries overnight when unattended.

- **Do not dismantle, open, or shred cells or the battery pack.**
- **Do not short-circuit the battery pack.** Avoid storing battery packs haphazardly in a box or drawer where they may come into contact with conductive materials, leading to short circuits. When the battery pack is not in use, keep it away from metal objects like paper clips, coins, keys, nails, or screws, which could create a connection between terminals. Shorting the battery terminals can cause burns or a fire.
- **Do not expose the battery pack to heat or fire** and avoid storage in direct sunlight.
- **Do not subject the battery pack to mechanical shock.**
- **In case of leakage:** Avoid contact with leaking liquid. If contact occurs, rinse the affected area thoroughly with water and seek medical attention.
- **Keep the battery pack clean and dry.**
- If the battery pack terminals become dirty, wipe them with a clean, dry cloth.
- **Charge the battery pack before use** by following the instructions and using the specified charging procedure.
- **Do not leave the battery pack on charge when not in use.**
- After prolonged storage, it may be necessary to charge and discharge the battery pack several times to restore maximum performance.
- **Use only the charger specified by Hyundai.** Do not use any charger not specifically designed for this equipment.
- **Do not use battery packs not intended for this equipment.**
- Keep the battery pack out of reach of children.
- Retain the original product literature for future reference.
- Remove the battery from the equipment when not in use.
- Dispose of the battery properly.
- Do not mix cells of different manufacturers, capacities, sizes, or types within a device.
- Keep the battery away from microwaves and high-pressure environments.
- **Warning:** Do not use non-rechargeable batteries.

www.hyundaipowerproducts.co.uk

Safety Information

SAFETY WARNINGS FOR CHARGER

 WARNING! Read all safety warnings and instructions carefully. Failure to follow all instructions may result in electric shock, fire, and/or serious injury. Save all warnings and instructions for future reference.

WARNING! Never allow children or people unfamiliar with these instructions to use the product. Local regulations can restrict the minimum age of the operator.

Keep children, pets, and other people not using the unit a sensible distance away from the work area. Be alert and shut off the unit if anyone enters work area. Keep children under the watchful care of a responsible adult.

Children should not play with the appliance. Cleaning and maintenance should not be performed by children without supervision.

If the supply cord is damaged, it must be replaced by the manufacturer, its service agent, or similarly qualified personnel to avoid hazards.

Before charging, carefully read the instructions:


- Do not charge a leaking battery.
- Only use the charger for its intended purpose.
- Ensure the charger is compatible with your local AC supply before charging.
- For indoor use only; do not expose to rain.
- The charging device must be kept dry and protected from moisture.
- Do not use the charging device outdoors.
- Never short-circuit the battery or charger contacts.
- Always respect the polarity ("+/-") when charging.
- Do not open the unit and keep it out of reach of children.
- Do not charge batteries from other manufacturers or incompatible models.
- Ensure the connection between the battery charger and battery is properly aligned and free from obstruction by foreign objects.
- Keep the battery charger's slots clean and free of foreign objects, and protect it from dirt and moisture. Store in a dry, frost-free place.

Safety Information

- When charging batteries, ensure the charger is placed in a well-ventilated area, away from flammable materials. Batteries may become hot during charging, so never overcharge them. Always supervise the charging process and do not leave batteries or chargers unattended.
- Do not attempt to recharge non-rechargeable batteries, as they can overheat and break.
- For optimal performance and longer battery life, charge the battery pack when the surrounding air temperature is between 18°C and 24°C.
- Avoid charging the battery pack in temperatures below 0°C or above 40°C, as this can cause serious damage to the battery.
- Only charge battery packs of the same model as provided by the manufacturer or those recommended by the manufacturer.


Noise & Vibrations (Where Applicable)

NOTE: The declared total vibration value can be used to compare different tools and serve as a preliminary assessment of exposure.

 WARNING: The vibration emission value during actual use of the power tool may differ from the declared value, depending on how the tool is used. Factors that can influence this include:

- The method of use and the materials being cut or drilled.
- The condition and maintenance of the tool.
- The use of the correct accessories, and ensuring they are sharp and in good condition.
- The tightness of the grip on the handles and whether any anti-vibration accessories are used.
- Ensuring the tool is used as intended by its design and according to these instructions.

This tool may cause hand-arm vibration syndrome if its use is not properly managed.

 WARNING: To ensure an accurate estimation of exposure, the actual operating conditions must be considered, including all parts of the operating cycle, such as when the tool is switched off or running idle without performing work. This can significantly reduce the exposure level over the entire working period.

Safety Information


Minimising Your Vibration Exposure Risk:

- ALWAYS use sharp chisels, drills, and blades.
- Maintain the tool according to the provided instructions and keep it well-lubricated (where applicable).
- If the tool will be used regularly, consider investing in anti-vibration accessories.
- Plan your work schedule to distribute high-vibration tasks across multiple days.

Residual Risks

Even when the tool is used as intended, it is not possible to eliminate all residual risk factors. The following hazards may arise due to the tool's design and construction:

- Risk of lung damage if an effective dust mask is not worn.
- Risk of hearing damage if proper hearing protection is not used.
- Health issues resulting from vibration emission if the power tool is used for extended periods or is not properly managed and maintained.

 **WARNING:** This machine generates an electromagnetic field during operation. Under certain circumstances, this field may interfere with active or passive medical implants. To minimize the risk of serious or fatal injury, we strongly recommend that individuals with medical implants consult their physician and the implant manufacturer before using this machine.

Safety Information

Intended Use

The HY20CCS10 is an battery powered chainsaw from HYUNDAI.

This machine is a garden tool. The machine is manufactured according to the latest safety requirements. Every precaution is only effective when it is followed exactly.

Intended Use

The chainsaw is intended for sawing of trees, tree trunks, branches, wooden beams, planks, etc. Cuts can be sawed with or across the grain. This product is not suitable for sawing mineral materials.

User Types

This product is for personal domestic DIY use only.

It is not suitable for commercial, industrial, or trade use.

Improper Use

The chainsaw is suitable for cutting wood only. DO NOT use it to saw plastic, masonry, building materials, or any other items which are not made of wood.

Safety Information

Symbol

Appropriate Personal Protective Equipment (PPE), MUST be worn at all times when operating or repairing the machine. No protective equipment can ensure 100% protection.

When selecting PPE, make sure it's CE marked and it suits the user in terms of size, fit, etc. If more than one item of PPE is worn at the same time, make sure they can be used together, e.g. wearing safety glasses may disturb the seal of a respirator, causing air leaks.



Read the operating instructions and store them in a safe place.



Warning



Wear eye protection



Wear ear protection



Wear dust mask



Always use chainsaw two-handed



Do not expose to rain



Beware of chainsaw kickback and avoid contact with bar tip



Do not burn

Safety Information



Batteries may enter water cycle if disposed improperly, which can be hazardous for ecosystem. Do not dispose of waste batteries as unsorted municipal waste.



Li-Ion battery This product has been marked with a symbol relating to 'separate collection' for all battery packs and battery pack. It will then be recycled or dismantled in order to reduce the impact on the environment. Battery packs can be hazardous for the environment and for human health since they contain hazardous substances.



Read operator's manual



For indoor use only



Positive terminal



Negative terminal



Double insulation



Fuse



Waste electrical products must not be disposed of with household waste. Please recycle where facilities exist. Check with your local authorities or retailer for recycling advice.

Unboxing

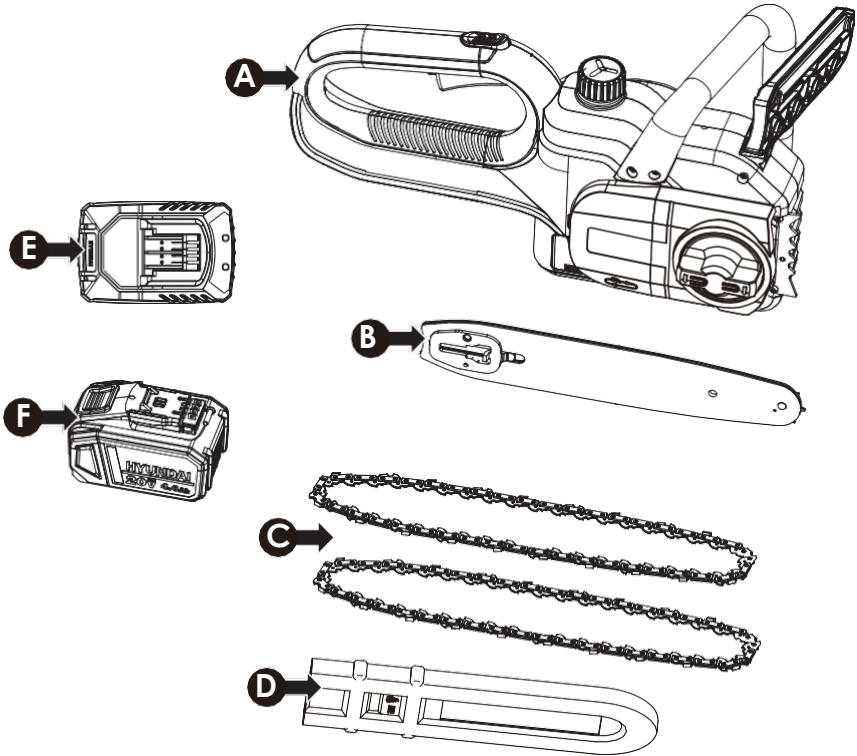
⚠ WARNING: Unboxing and assembling the machine should be done on a flat, surface with enough room. Disposal of the packaging should be done in accordance with the local regulations in force.


⚠ WARNING: Some of the packaging material may be harmful to children. Keep out of reach of children.

1. Carefully remove the product from the packaging and examine it for any sign of damage caused during shipping.
2. Lay the contents out and check them. If any part is damaged or missing, you must not use the machine. Contact **HYUNDAI POWER PRODUCTS** immediately.
3. You must keep the packaging material in case the machine needs to be returned or repaired.
4. Ensure that you have all the accessories and tools you need for assembly and operation including the suitable personal protective equipment.

In The Box

*Not To Scale



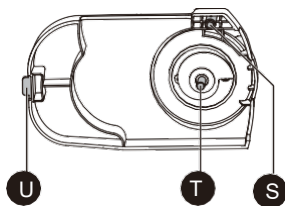
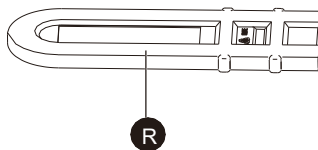
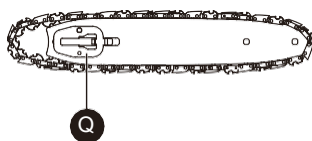
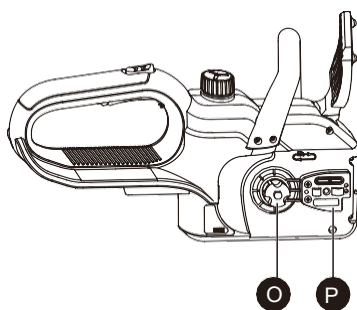
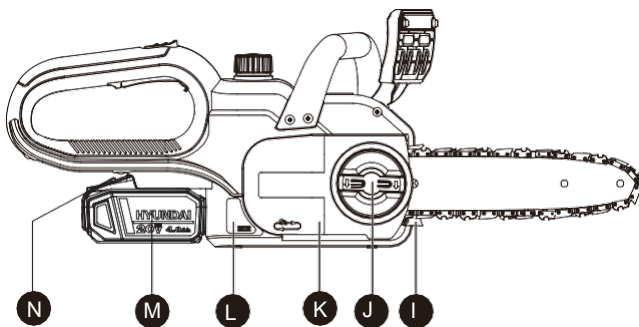
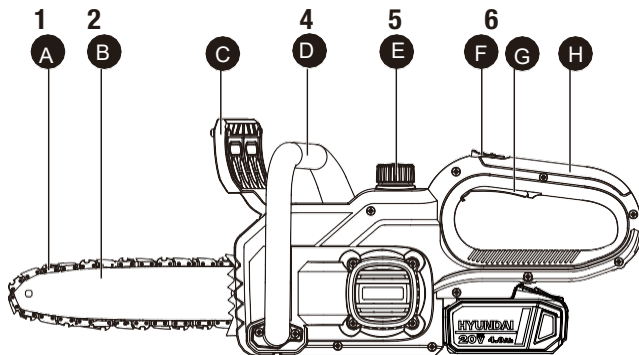
Descriptions on next page 

www.hyundaipowerproducts.co.uk

In The Box

- A** Saw head assembly
- B** Chain bar
- C** 2 x Chain
- D** Chain bar sheath
- E** Charger
- F** Battery pack

Features



Features

- A Chain
- B Guide
- C Chain Brake Lever (Hand Guard)
- D Front Handle
- E Oil Filler Cap
- F Safety Locking Switch
- G On/Off Switch
- H Rear Handle
- I Bumper Spike
- J Chain Tensioning Knob
- K Drive Sprocket Cover
- L Oil Level Gauge
- M Battery pack*
- N Battery pack release button*
- O Drive Sprocket
- P Bar Pad
- Q Bar Tensioning Plate Tab
- R Blade Sheath
- S Drive Sprocket Fixing Pin
- T Fastening Bar Bolt
- U Drive Sprocket Fixing Latch

Assembly

Assembly Overview

⚠ WARNING: Remove the battery pack from the tool before carrying out any adjustments, servicing or maintenance.

⚠ WARNING: After opening the case, check whether the machine has been damaged during transportation and whether the items listed in the packing list are complete. Any questions, please contact our service agent.

⚠ WARNING: Do not install the battery pack before the machine has been completely assembled. Always use gloves when handling the chain.

There are 5 steps to the assembly:

STEP 1. Installing the Chain and Guide Bar

STEP 2. Checking the Chain Tension and Direction

STEP 3. Lubrication

STEP 4. Oil Level Gauge

STEP 5. Battery Charging and Installation

STEP 1 : Installing the Chain and Guide Bar

- 1) Place the saw on a solid, level surface.
- 2) Assemble the guide bar **(B)** and chain **(A)**. Slide the chain in the slot around the guide bar. Ensure the chain is in correct running direction. Ensure the bar tensioning plate tab **(Q)** is facing outward.

⚠ WARNING: Make sure the drive links are fully seated in the slot around the guide bar **(B)**, especially around the end tip of the guide bar **(B)**.

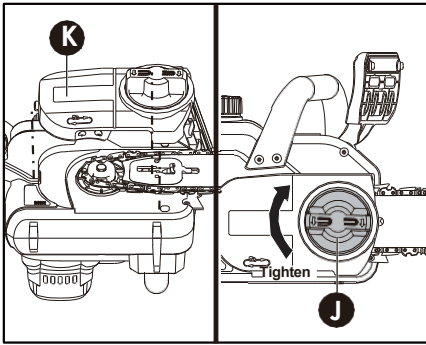
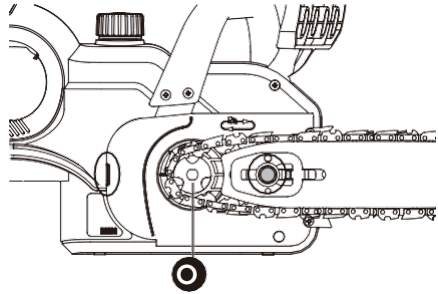
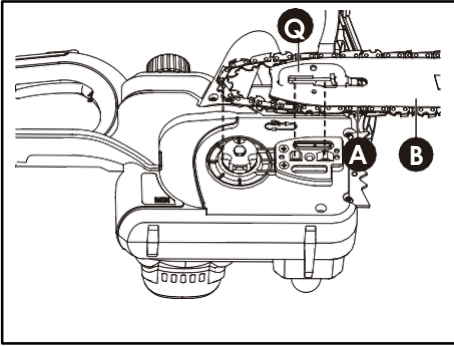
- 3) Place the chain and guide bar onto the drive sprocket **(O)**. Ensure that all components are properly seated. Make sure that the drive links are fully engaged with the drive sprocket **(O)**, ensuring there are no kinks. If a kink occurs, lift the saw chain just ahead of the kink at the guide bar and gently pull the kink out.

⚠ WARNING: Chain should rotate freely and be free of kinks.

- 4) Assemble the drive sprocket cover **(K)**. Ensure that the drive sprocket fixing latch, fixing pin **(S)**, and fastening bar bolt **(T)** are fully inserted into the holes on the chain body.

- 5) Hold the chain tensioning knob **(J)** and turn it clockwise to tighten the drive sprocket cover **(K)**. Verify that the cover is securely pressed against the guide bar and chain body, sitting smoothly in place.

Assembly



STEP 2 : Checking the Chain Tension and Direction

⚠ WARNING: Switch off chainsaw, engage chain brake (C) and remove the battery pack (M) before attempting any adjustment.

⚠ WARNING: Cutting edges on chain are sharp. Use protective gloves when handling chain.

⚠ WARNING: Always maintain proper chain tension. A loose chain increases the risk of kickback and may jump out of the guide bar groove. This can cause injury to the operator and damage the chain. Additionally, a loose chain will accelerate wear on the chain, bar, and drive sprocket.

- Chain Tension:

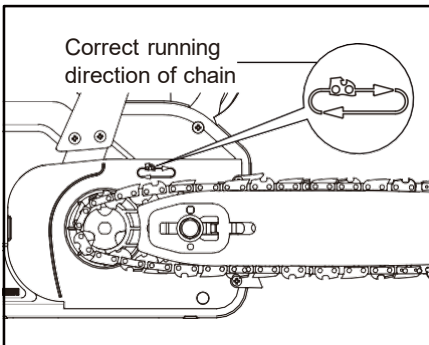
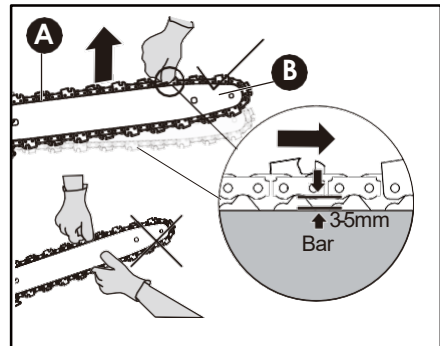
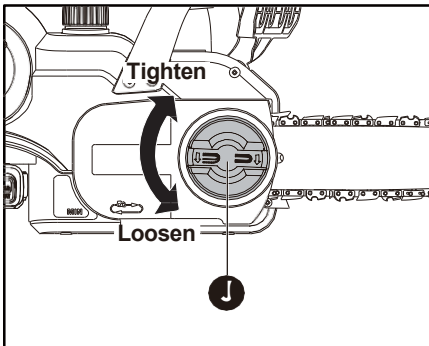
Turn the chain tensioning knob (J) clockwise to tighten the chain and anti-clockwise to loosen it until the saw chain (A) is properly tensioned. Avoid over-tightening the chain. The correct tension is achieved when the chain can be lifted approximately 3-5 mm from the centre of the guide bar (B) with slight force.

Assembly

3) Check the chain tension frequently during operation. If you find the chain has become loose after use, you need to re-adjust the tension. First, loosen the chain tensioning knob (J) anti-clockwise until you hear a 'clicking' sound, then tighten it clockwise.

- Chain direction:

The cutting teeth of the chain must be pointing forward on the top of the blade. Ensure the chain is in correct running direction by comparing it to the chain icon on the machine.



STEP 3 : Lubrication

⚠ NOTE: Chain life and cutting capacity depend on optimum lubrication. Therefore, the chain is automatically oiled during operation.

⚠ NOTE: The chainsaw does not come supplied filled with oil. It is essential to fill with oil before use. Operating the chainsaw without chain oil or when the oil level is below the minimum mark will result in damage to the chainsaw.

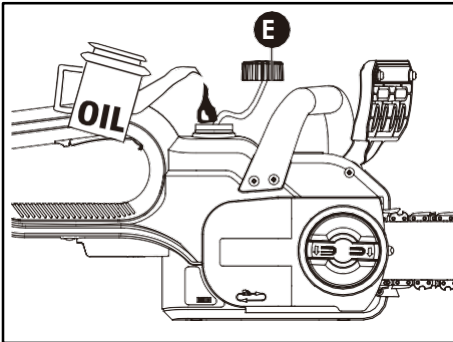
Assembly

IMPORTANT: Use only biologically-based chainsaw oil, specifically oil that is 100% biodegradable. Biological chainsaw oil can be found at most local specialist dealers. Do not use old oil, as it may damage the chainsaw.

Place the chainsaw on a stable surface with the oil filler cap facing upward. Clean the area around the oil filler cap (E) using a cloth, then unscrew the cap (E) by turning it anti-clockwise.

Fill the oil tank with 180ml of specialized chain oil (not included, available separately), and ensure the oil level is topped up during use.

Avoid allowing dirt or debris to enter the oil tank. Refit the oil filler cap (E) and tighten it by turning clockwise until it is hand-tight.



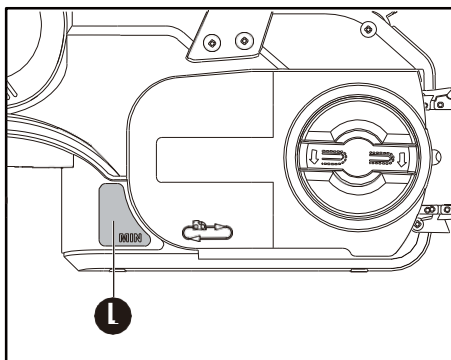
STEP 4 : Oil Level Gauge

IMPORTANT: To prevent excessive wear, the chain and guide bar must be properly lubricated during operation.

Lubrication is automatic, so never operate the chainsaw without chain lubrication. Running the chain dry will quickly cause severe damage to the entire cutting apparatus. It is crucial to check both the chain lubrication and the oil level gauge (L) before each use.

MINIMUM: When approximately 5 mm of oil is visible at the lower rim of the oil level gauge (L), top up the oil. Continue to fill until the window is completely full.

Assembly



STEP 5 : Battery Charging and Installation

1. Charging the Battery Pack

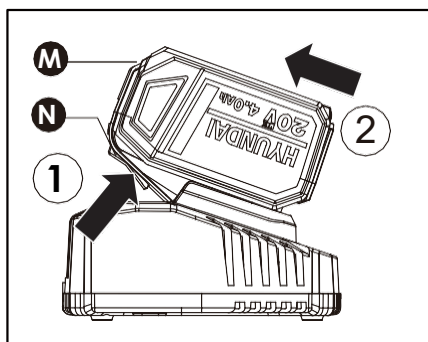
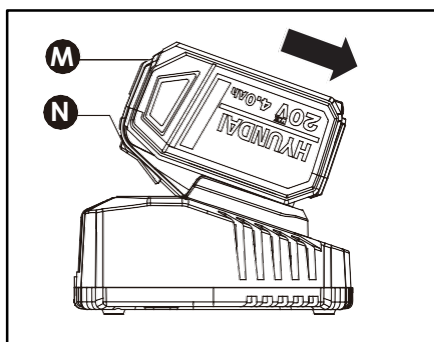
Use only the charger specifically provided for use with this equipment. If the battery pack (**M**) is very hot, remove it from the charger and allow it to cool before recharging.

Fully charge the battery before storing it. For prolonged storage, recharge the battery every three months to maintain its performance.

2. Removing or Installing the Battery Pack

To remove the battery pack, firmly press the release button (**N**) and slide the battery pack (**M**) out of the tool.

After recharging, slide the battery pack back into the tool's battery port. A simple push with light pressure is sufficient to secure it in place.



3. Charging procedure

1) Plug the charger into the power supply. The green light will illuminate.

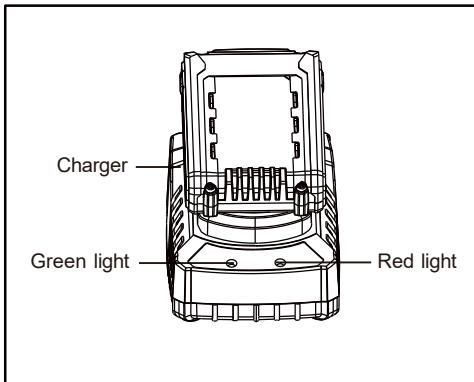
Assembly

2) Slide the battery pack into the charger, ensuring it is securely positioned in the correct charging orientation. The green light will turn off, and the red light will illuminate to indicate that charging has begun.

3) Once charging is complete, the red light will turn off, and the green light will illuminate.

4) After the battery is fully charged, unplug the charger and remove the battery pack. **NOTE:** If the battery pack is locked in the charger, press the battery pack release button to release and remove it.



⚠ WARNING: If the battery charge is depleted after continuous use or exposure to direct sunlight or heat, allow the tool to cool down before recharging to ensure a full charge is achieved.





4. Charging indicator

This charger is equipped to detect potential issues with battery packs. Indicator lights signal any problems (refer to the table below). If a problem arises, insert a new battery pack to verify if the charger is functioning properly.

- If the new battery charges correctly, the original battery pack is defective and should be returned to a service centre or recycling facility.
- If the new battery pack exhibits the same issue as the original, have the charger inspected and tested at an authorized service centre.

Light	ON/OFF flash	Status
Red on ● 	—	Charging
Red flash 	- - - - -	Defective battery

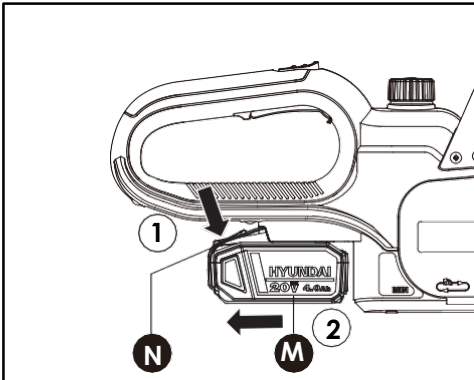
Assembly

Green on ● 	—	Fully charged
Green flash 	- - - - -	Battery too hot/cold

5. To remove or install the battery pack into the tool

Press the battery pack release button **(N)** firmly and slide the battery pack **(M)** out of the tool.

To install a fully charged battery pack **(M)**, align it with the tool's battery port and push firmly until it clicks securely into place.



NOTE: You can check the battery level by pressing the button located next to the battery indicator lights.

Operation

The Chain Brake

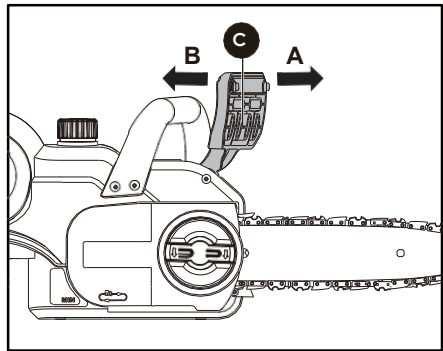
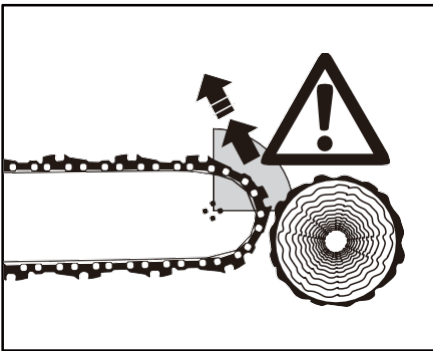
WARNING: Please ensure you read this section carefully. The chain brake is designed to stop the chainsaw from being activated when the machine is not being operated – for example, when the chainsaw has been picked up and is being moved.

The manual chain brake is a safety feature activated via the front hand guard in the event of kickback, stopping the chain within a fraction of a second.

- **Engaging the Chain Brake (C):** Push the hand guard forward (arrow A) to engage the chain brake manually.
- **Disengaging the Chain Brake (C):** Pull the hand guard backward (arrow B) until it locks into place. The brake is now disengaged.

⚠ WARNING: ALWAYS engage the chain brake (C) when not in use.

⚠ WARNING: ALWAYS disengage the chain brake (C) before starting the work!

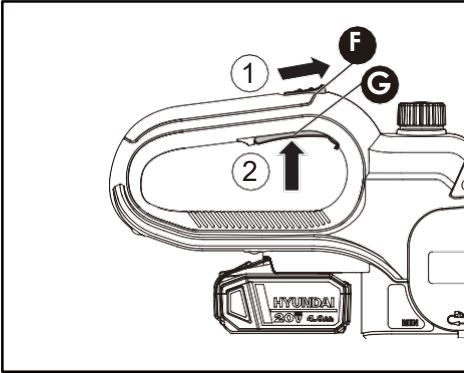


Switching On and Off

- 1) Remove the blade sheath (**R**) and place the chainsaw on a flat surface.
- 2) Install the battery pack (**M**).
- 3) Ensure the chain brake (**C**) is engaged before use. To release the chain brake, pull the hand guard backward.
- 4) **To switch on:** Push the safety locking switch (**F**) forward, then fully press and hold the on/off switch (**G**). Once engaged, you can release the safety locking switch.
- 5) **To switch off:** Release the on/off switch (**G**) or push the chain brake (**C**) forward to engage it.

www.hyundaipowerproducts.co.uk

Operation



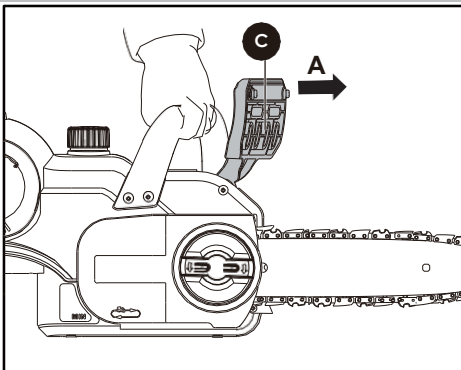
Checking the Chain Brake

The chain brake **(C)** must be tested before each use of the saw:

1. Start the tool as instructed (ensure secure footing and place the chainsaw on the ground so the saw chain **(A)** and guide bar **(B)** are clear of any objects).
2. Hold the front handle firmly with one hand and the rear handle with the other.
3. Allow the tool to run at medium speed. Using the back of your hand, push the hand guard forward in the direction of arrow A until the chain brake **(C)** engages. The chain should stop immediately.
4. To disengage the brake, pull the hand guard backward until it locks into place. The chain brake **(C)** is now disengaged.

⚠ WARNING: Always engage the chain brake **(C)** when not in use.

⚠ WARNING: If the saw chain does not stop immediately during this test, turn off the tool immediately. **DO NOT** use the chainsaw in this condition! Contact customer service or an authorized service agent for assistance.

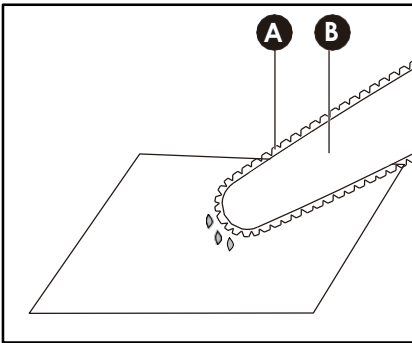


Operation

Checking the Automatic Lubrication

IMPORTANT: Proper functioning of the automatic oiler can be checked by running the chainsaw and pointing the tip of the guide bar (**B**) towards a piece of cardboard or paper on the ground. After running for 50-60 seconds, if an increasing oil pattern appears on the cardboard, the automatic oiler is working correctly. If no oil pattern appears, despite a full oil reservoir, contact customer service or an authorised service agent.

CAUTION: Do not allow the chain (**A**) to touch the ground. Maintain a safety clearance of at least 30 cm.



Bumper Spike

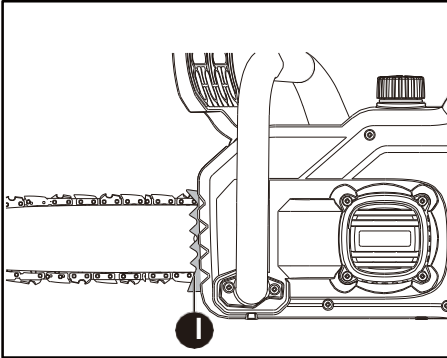
IMPORTANT: The bumper spike (**I**) can be used as a lever during sawing by repositioning it to a lower point below the cut when sawing thick branches or trunks. To do this, slightly pull the chainsaw back after the cut to release the bumper spike (**I**), then reposition it lower.

Do not remove the saw from the cut.

When sawing, avoid applying excessive force; instead, allow the chainsaw to work by gently applying lever pressure to the front via the bumper spike and continuing to saw deeper into the existing cut.

Optimal sawing results are achieved when the chain speed does not decrease due to overload.

Operation



Cutting

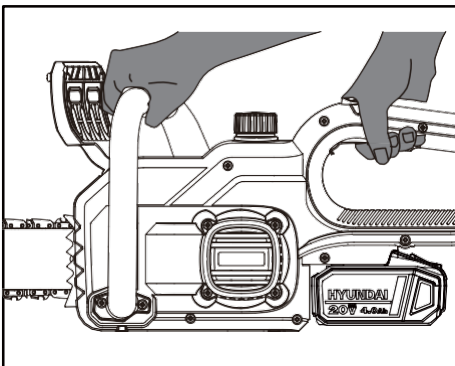
⚠ WARNING: Check oil level gauge prior to starting and regularly during operation. Refill chain oil (not supplied) when oil level is low.

⚠ WARNING: Check the chain tension approx. every 10 minutes during operation.

⚠ WARNING: Always wear safety goggles, ear protection, protective gloves and heavy duty work clothes during operation.

⚠ WARNING: Check the automatic lubrication as described above.

- 1) Install the battery pack onto the machine.
- 2) Ensure the section of the log to be cut is not resting on the ground. This will prevent the chain from touching the ground during the cut. Ground contact while the chain is moving is dangerous and can dull the chain.
- 3) Grip the saw with both hands. Always use your left hand to hold the front handle and your right hand to hold the rear handle. Maintain a firm grip, ensuring your thumbs and fingers wrap fully around the handles.



Operation

- 4) Ensure your footing is secure, with your feet shoulder-width apart and your weight evenly distributed on both feet.
- 5) When you're ready to make a cut, push the safety locking switch forward, then fully press and hold the on/off switch to turn the saw on. Releasing the on/off switch will turn the saw off. Make sure the saw is running at full speed before starting the cut.
- 6) To begin the cut, slowly bring the moving chain into contact with the wood. Position the wood as close to the saw body as possible. Hold the saw firmly in place to prevent any bouncing or sideways movement.
- 7) Guide the saw with light pressure, allowing the saw to do the work. Avoid applying excessive force, as this can overload the motor and potentially cause it to burn out. The saw will perform more efficiently and safely when used at its intended pace.
- 8) Always remove the saw from the cut while it is still running at full speed. To stop the saw, release the on/off switch. Ensure the chain has stopped before setting the saw down.
- 9) Continue practicing on scrap logs in a secure area until you feel comfortable with smooth, controlled motions and a steady cutting pace.
- 10) After use, always: remove the battery pack, clean the saw chain and guide bar, and reattach the blade sheath.

⚠ WARNING: If you find the chain has become loose after use, you need to readjust the tension. First, loosen the chain tensioning knob anti-clockwise until you hear a 'clicking' sound, then tighten it clockwise.

Kickback Safety Devices

This saw is equipped with a low-kickback chain and a reduced-kickback guide bar, both designed to reduce the likelihood of kickback. However, kickback can still occur with this saw.

To minimize the risk of kickback, follow these precautions:

- Always use both hands to grip the saw while it is running. Maintain a firm grip, ensuring your thumbs and fingers wrap securely around the handles.
- Keep all safety components in place and ensure they are functioning properly.
- Avoid overreaching or cutting above shoulder height.
- Maintain solid footing and balance at all times.
- Stand slightly to the left side of the saw to keep your body out of the direct line of the chain.
- Never let the nose of the guide bar touch any surface while the chain is moving.

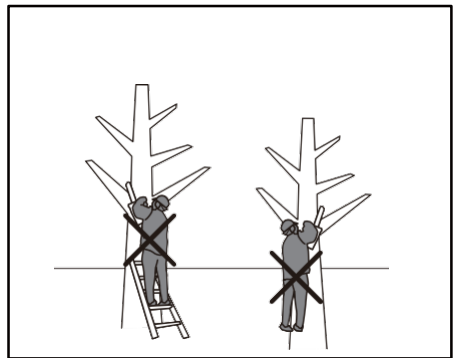
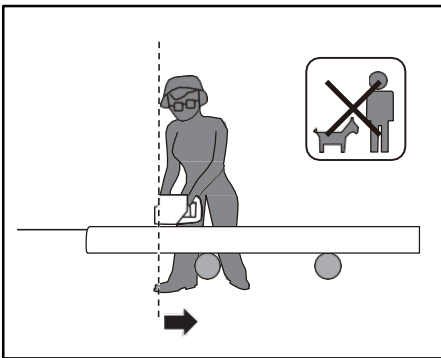
Operation

- Never attempt to cut through two logs simultaneously. Always cut one log at a time.
- Avoid burying the nose of the guide bar or attempting plunge cuts (boring into the wood with the guide bar nose).
- Be aware of any shifting wood or other forces that may cause the chain to become pinched.
- Exercise extreme caution when re-entering a previous cut.
- Only use the low-kickback chain and guide bar provided with the chainsaw, or recommended replacements.
- Never operate with a dull or loose chain. Keep the chain sharp and properly tensioned.

How to Use Saw Safely

- 1) Use the chainsaw only with secure footing.
- 2) Hold the chainsaw at the right-hand side of your body.
- 3) The chain must be running at full speed before it makes contact with the wood.
- 4) Do not operate the chainsaw with arms fully extended, attempt to saw areas which are difficult to reach, or stand on a ladder while sawing.

⚠ WARNING: Never use the chainsaw above shoulder height.



Maintenance & Care

Replacing the Chain and Guide Bar

⚠ WARNING: Use only chains and guide bars designed for this chainsaw.

⚠ WARNING: Remove the battery pack from the chainsaw before attempting and performing any maintenance.

⚠ WARNING: Cutting edges on chain are sharp. Use protective gloves when handling chain.

- Replace the chain when:

- Sawdust Appearance: When cutting damp wood, the sawdust resembles fine wood flour instead of coarse chips.
- Cutting Resistance: The chain requires significant pressure to penetrate the wood, and the cutting edge appears visibly damaged.
- Uneven Cuts: The saw pulls to one side during operation, indicating uneven sharpening of the chain.

Keeping the chain sharp:

- Regularly sharpen the chain to ensure faster, safer cutting.
- A dull chain increases wear on the drive sprocket, guide bar, chain, and motor.

Indicators of a dull chain:

- Cutting requires excessive force.
- The output is mostly fine sawdust with few large chips.

- Replace the guide bar and saw chain as follows:

- 1) Place the tool on a solid, level surface for stability.
- 2) Grip the chain tensioning knob and turn it anti-clockwise to loosen and remove the drive sprocket cover. Take off the old bar and chain to reveal the bar pad.
- 3) Slide the chain into the slot around the guide bar. Ensure the chain is correctly aligned in the proper running direction. Confirm that the bar tensioning plate is positioned outward.

⚠ WARNING: Make sure the drive links are fully seated in the slot around the guide bar, especially at the end part of the guide bar.

- 4) Attach the new guide bar and chain onto the machine. Ensure that the chain tension is properly adjusted.

Before and After Use

- 1) Remove the battery pack from the chainsaw when:
 - The chainsaw is not in use
 - Before moving from one place to another
 - Before servicing
 - Before changing accessories or attachments, such as saw chain and guard

Maintenance & Care

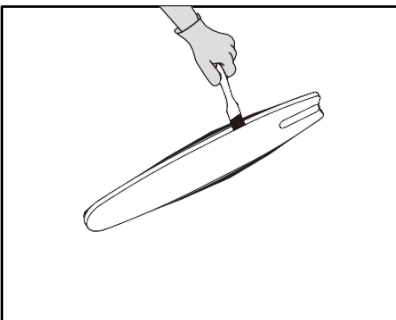
- 2) Inspect chainsaw before and after each use. Check all components are in good working order and are free from any defects that may affect operator safety and/or operation of saw. Check the alignment and binding of moving parts. Do not use chainsaw if damage affects safety or operation. In the case of damage, contact an authorised service centre.
- 3) Maintaining your Chainsaw
 - Never expose saw to rain or direct moisture.
 - Keep chain sharp, clean, and lubricated for optimum performance and safe operation.
 - Keep handles dry, clean, and free of oil and grease.
 - Keep all screws and nuts tight
- 4) When servicing, only use identical replacement parts.
- 5) When not in use, always store chainsaw:
 - in a safe and secure place, and out of children's reach
 - in a dry place
 - with guide bar cover in place

Chain Bar Maintenance

To maximise bar life, the following bar maintenance is recommended. The bar rails that carry the chain should be cleaned before storing the tool, or if the bar and/or chain appears to be dirty. The rails should be cleaned every time the chain is removed.

- Cleaning the bar rails:

- 1) Remove drive sprocket cover, chain bar and chain.
- 2) Use a wire brush, screwdriver or similar tool, to clear the residue from the inner groove of the bar.
- 3) Make sure to clean oil passages thoroughly.



Maintenance & Care

- Conditions which require chain and guide bar maintenance:

- Saw cuts to one side or at an angle.
- Saw has to be forced through the cut.
- Inadequate supply of oil to the bar and chain.

Check the condition of the guide bar each time the chain is sharpened. A worn guide bar will damage the chain and make cutting difficult.

IMPORTANT: After each use, remove the battery pack from the chainsaw, clean all sawdust from the guide bar and drive sprocket hole.

When rail top is uneven, use a flat file to restore square edges and sides. Replace the guide bar when the groove is worn, bent/cracked, or when excess heating or burring of the rails occurs. If replacement is necessary, use only the guide bar specified for your saw in the spare parts list.



Lubricating Drive Sprocket

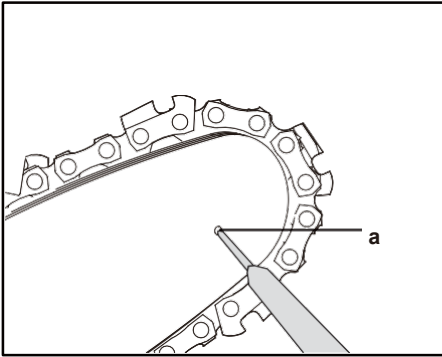
⚠ WARNING: Remove the the battery pack from the chainsaw before performing any service or maintenance on this tool.

⚠ WARNING: Wear heavy duty gloves when performing any maintenance or service to this tool.

⚠ WARNING: It is not necessary to remove the chain or bar when lubricating the guide bar sprocket.

- 1) Clean the bar and drive sprocket.
- 2) Using a grease gun, insert the tip of the gun into the lubrication hole (a) and inject grease until it appears at the outside edge of the drive sprocket tip.
- 3) To rotate the drive sprocket, pull the chain by hand until the ungreased side of the drive sprocket is in line with the grease hole. Repeat the lubrication procedure.

Maintenance & Care



General Maintenance

⚠ WARNING: Before inspecting, cleaning or servicing the unit, wait for all moving parts to stop, and remove the the battery pack from the chainsaw. Failure to follow these instructions can result in serious personal injury or property damage.

⚠ WARNING: When servicing, use only identical replacement parts. Use of any other parts may create a hazard or cause product damage. To ensure safety and reliability, all repairs should be performed by a qualified service technician.

Follow maintenance instructions in this manual. Proper cleaning of saw and chain and guide bar maintenance can reduce the chance of kickback.

Inspect and maintain saw after each use. This will increase the service life of your saw.

⚠ WARNING: Even with proper sharpening, risk of kickback can increase with each sharpening.

It is therefore recommended to replace saw chain instead of sharpening to minimise risk of kickback.

After each use of chainsaw, clean the plastic parts of the saw using a damp cloth with a mild detergent.

Do not use any strong detergents on the plastic housing or the handle. They can be damaged by certain aromatic oils, such as pine and lemon, and by solvents such as kerosene.

Moisture can also cause a shock hazard. Wipe off any moisture with a soft dry cloth.

Maintenance & Care

Cleaning

Do not use cleaning agents or solvents. These may cause severe damage to the tool.

- Keep the ventilation slots, motor housing, and handles clean using a damp cloth or a brush.
- Dry wipe the saw chain only. After cleaning, lightly oil the chain with chain oil. Apply individual drops of oil to the chain joints and the points of the teeth on each link.
- Regularly clean the guide bar, its groove, and the oil outlet openings.
- Use a flat file to remove any burrs that may have formed on the guide bar from the saw chain.

Maintenance

Regular maintenance of your equipment extends the lifespan of the equipment. You will also achieve optimum cutting performance and avoid accidents.

For Battery Tools

The ambient temperature range for tool and battery use and storage is 32°F - 113°F (0°C-45°C).

The recommended ambient temperature range for the charging system during charging is 32°F - 104°F (0°C-40°C).

Storage & Transport

- Clean the equipment before putting it away.
- Put on chain bar sheath.
- It is normal for oil to seep from the saw when not in use. To prevent seepage, as well as prevent resin buildup, it is recommended to empty the oil tank after each use. When storing the unit for longer periods (3 months or longer), be sure the chain is lightly lubricated, to prevent rust from developing on the chain and bar sprocket.
- Store the device in a dry, frost-free, and dust-protected place, and out of reach of children.
- Store the battery in a partially charged state. The state of charge should be 40 – 60 % over a longer storage period.
- During longer storage periods, check the state of charge of the battery and recharge if necessary (every 2 to 3 months).
- In order to keep the battery well charged, avoid exposing the device to extreme heat or cold in storage.
- Store the equipment between 50°F (10°C) and 77°F (25° C). During storage, avoid extreme cold or heat so the battery does not lose power.

www.hyundaipowerproducts.co.uk

Maintenance & Care

Troubleshooting

▲ NOTE: All corrective actions should be carried out by suitably qualified person/s.

Problem	Possible cause	Fault correction
Appliance won't start	Battery discharged	Recharge battery
	Battery not inserted	Insert battery
	Trigger safety lock button not pressed properly	Press trigger safety lock button
	Defective On/Off switch	Send to Service Center for repair
Device runs with interruptions	Internal loose electrical connection	Send to Service Center for repair
	On/Off switch defective	
Telescopic pole cannot be locked	Defective clamping lever for extending / shortening the telescopic pole	Send to Service Center for repair
Inferior cutting performance	Incorrectly mounted saw chain	Mount saw chain correctly
	Saw chain blunt	Place on new chain
	Chain tension insufficient	Check chain tension
Saw runs with difficulty, chain comes off	Chain tension insufficient	Check chain tension
Chain becomes hot, smoke development during sawing, discoloration of the rail	Too little chain oil	Check oil level and, where appropriate, refill with chain oil, check automatic oil system and, where appropriate, clean oil outflow duct or have repaired by customer service

Technical Data

Specification

Rated voltage:	20 V \equiv Max.
Bar length:	25 cm (10")
Chain speed:	5 m/s
Chain pitch:	9.5mm (3/8 in)
Chain gauge:	1.1mm (0.043 in)
Chain drive links:	40
Oil tank capacity:	180 ml
Bar model:	ES104MLEA041
Chain model:	3/8LP.043.40E 90X
Battery capacity (ABP1840TDH):	4.0 Ah
Charger input (ACG1820DH):	100-240V~50/60Hz, 55W
Charger output (ACG1820DH):	20V \equiv 2.0A
Charging time:	2 Hours
Charger protection class:	□/II
Machine weight (with battery):	3.6 kg
A weighted sound pressure	$L_{pA} = 81 \text{ dB(A)}$, $K_{pA} = 3 \text{ dB(A)}$
A weighted sound power	$L_{wA} = 89 \text{ dB(A)}$, $K_{wA} = 3 \text{ dB(A)}$
Vibration total values (triax vector sum) determined according to EN 62841:	
Vibration emission value	$a_h < 2,5 \text{ m/s}^2$, $K = 1,5 \text{ m/s}^2$

Recycling & Disposal

Recycling & Disposal

We do not offer a takeback scheme for the recovery of Waste Electrical Electronic Equipment (WEEE) & Batteries. Instead the responsibility to dispose of WEEE and/or Batteries is passed onto you by us.

So when it becomes necessary to dispose of your machine you must take it to your local Civic Amenity Site. For further information please contact your local Authority for disposal advice.

You **MUST** make sure that all unused oil and fuel is disposed of correctly either beforehand or at your local Civic Amenity Site.

- Under NO circumstances must any fuel or oil be put down any drains.
- Certain products contain WEEE waste which should not be disposed of in your domestic waste.
- You **MUST** recycle WEEE in accordance with your local authority or recycling centre.
- Certain products contain batteries which should not be disposed of in your domestic waste.
- You **MUST** recycle batteries in accordance with your local authority or recycling centre.
- Unwanted packaging and materials should be stored and taken to a recycling centre so it can be disposed of in a manner which is compatible with the environment.

We are a Member of the VALPAK National Compliance Scheme and our registration number is RM08660. For further information about disposal please contact your Local Authority.

You can also get more advice and guidance about recycling at the following website <http://www.recycle-more.co.uk>

Should you pass this product on to another user either sold or loaned, you **MUST** pass on this user manual. This will make sure that all other users can use and maintain this machine safely.

Recycling & Disposal

Environmental Protection

1. Environmental protection should be a priority of considerable importance when using the machine, for the benefit of both social coexistence and the environment in which we live. Try not to cause any disturbance to the surrounding area.
2. You must comply with local regulations and provisions for the disposal of packaging, oils, fuel, filters, damaged parts or any elements which have a strong impact on the environment. This waste must not be disposed of as normal waste. It needs to be separated and taken to specified waste disposal centres where the material will be recycled.
3. You must comply with local regulations for the disposal of waste materials after mowing.
4. When disposing, do not pollute the environment with the machine, but hand it over to a disposal centre, in accordance with the local laws in force.

EU Declaration Of Conformity

Importer and Authorised Representative

Genpower Ltd
Isaac Way, Pembroke Dock, SA72 4RW

Country of Origin: China
Description: 20V Chainsaw
SKU Code: **HY20CCS10**
Date of Issue: **01/06/2023**

Regulations and Directives of Compliance

2006/42/EC, 2014/30/EU, 2011/65/EU&(EU)2015/863,
2000/14/EC amended by 2005/88/EC,
(EU)2023/1542, 2014/35/EU

The notified body involved

Name: **SGS Fimko Ltd**
Address: **Takomotie 8, FI-00380 Helsinki, Finland**
Certification No.: **MD-518**

2000/14/EC amended by 2005/88/EC:
- Conformity Assessment Procedure as per **Annex V**
- Measured Sound Power Level **89 dB(A)**
- Declared Guaranteed Sound Power Level **93 dB(A)**

Statement of Declaration

We the importer and authorised representative of the product described confirm conformity within the provisions of applicable regulations and directives listed within this document.

Standards conform to

EN 62841-1, EN 62841-4-1, EN ISO 3744, EN IEC 55014-1,
EN IEC 55014-2, EN IEC 63000, EN 62133-2, EN 60335-1,
EN 60335-2-29, EN 62233, EN IEC 61000-3-2, EN 61000-3-3

Signed on Behalf of Genpower Ltd

Place of Issue: Genpower Ltd

Signatory Name: Roland Llewelin

Position: Managing Director

RJLlewelin



Useful Information

Check Out Our YouTube Channel

Our videos on YouTube include:

Unboxing

Assembly of your machine

How to service your machine

Products in use

'How To' videos

Product features

Go to YouTube and search 'Hyundai Power Products'.

Warranty

Proof of purchase will be required before you make a warranty claim. Full warranty terms and conditions can be found on the HYUNDAI POWER PRODUCTS website:

www.hyundaipowerproducts.co.uk

Manual Updates

Our manuals are constantly being reviewed and updated. Should you find an error, omission or something unclear, please contact us for assistance. We reserve the right to make any modifications without prior notice whenever necessary.

Our latest manuals are also placed online. All our manuals can be downloaded at: www.hyundaipowerproducts.co.uk

Returning Your Product

If you are returning your product, please contact the dealer for their returns policy.

Leaving A Review

We work very hard to give all of our customers the best possible service. If you have any problems, before leaving negative feedback, please contact us to give us a chance to resolve the issue. We would be delighted if you left us positive feedback! To leave a review, please go to: uk.trustpilot.com/review/hyundaipowerequipment.co.uk

Ordering Spare Parts

You can find the spare part you are looking for at power-spareparts.co.uk

www.hyundaipowerproducts.co.uk

Product Record

Information

As soon as you have purchased the machine, we recommend that you fill out the following. If you need to contact an authorised dealer or customer service for information on servicing, you may need to provide the following information.

Date Of Purchase:.....

Dealer Name:.....

Dealer Phone:.....

Model Number:.....

Serial / Batch Number:.....

Contact Us

Need Help? Talk To Our Experts

Our friendly aftersales team will be more than happy to help you.



Phone

Call our team on 01646 687 880



Email

aftersales@genpower.co.uk



Online Live Chat

Go to www.hyundaipowerproducts.co.uk



Post

Genpower Ltd, Isaac Way, Pembroke Dock, Pembrokeshire, SA72 4RW.



Hyundai Support Website

Go to hyundaisupport.co.uk

HYUNDAI
POWER PRODUCTS



For Inquiries, Please Contact:
GENPOWER LTD
Isaac Way, London Road,
Pembroke Dock, UK, SA72 4RW.
T: +44 (0) 1646 687 880
E: info@hyundaipowerproducts.co.uk
www.hyundaipowerproducts.co.uk

Imported / Distributed by Genpower Ltd
for the United Kingdom & Ireland

Licensed by Hyundai Corporation
Holdings, Korea

