

RGB LED Whip

Manual ID: PIM-00015567-V001

IMPORTANT: READ CAREFULLY BEFORE ASSEMBLY AND USE.

- Proper installation of this product requires the installer to have a good understanding of automotive electronics, systems, and procedures.
- If mounting this product requires drilling holes, the installer MUST be sure that no vehicle components or other vital parts could be damaged by the drilling process. Check both sides of the mounting surface before drilling begins. Also de-burr any holes and remove any metal shards or remnants. Install grommets into all wire passage holes.
- If this manual states that this product may be mounted with suction cups, magnets, tape or Velcro®, clean the mounting surface and dry thoroughly prior to apply adhesive for maximum adhesion.
- Do not attempt to activate or control this device in a hazardous driving situation.
- Do not install this product or route any wires in the deployment area of your air bag. Equipment mounted or located in the air bag deployment area will damage or reduce the effectiveness of the air bag, or become a projectile that could cause serious personal injury or death. Refer to your vehicle owner's manual for the air bag deployment area. The User/Installer assumes full responsibility to determine proper mounting location, based on providing ultimate safety to all passengers inside the vehicle.
- This product contains either strobe light(s), halogen light(s), high-intensity LEDs or a combination of these lights. Do not stare directly into these lights. Momentary blindness and/or eye damage could result.

Mounting:

CAUTION! Permanent mounting of this product will require drilling. It is absolutely necessary to make sure that no other vehicle components could be damaged by this process. Check both sides of the mounting surface before starting. If damage is likely, select a different mounting location.

1. Disassemble the two parts of the quick disconnect mounting base by sliding the quick disconnect band "UP" to release the locking mechanism. Refer to Mounting Diagram 1
2. Proceed on untightening and removing the Mounting Bolt, Nut, Split Washer, and Washer from the quick disconnect Mounting Base.
3. Select a desired mounting location.
4. Place the Mounting Base over the desired mounting surface.
5. Mark the area where the mounting hole is to be drilled. Confirm that no vehicle parts could be damaged by the drilling process.
6. Using a drill bit of appropriate size, drill a mounting hole for the Mounting Bolt. Thoroughly de-burr all hole(s).
7. Secure the Mounting Base onto the mounting surface using the included Mounting Bolt, Nut, and Split Washer. Refer to Mounting Diagram 2
8. Attach the included Flag to the LED Whip using the hardware included.
9. We recommend keeping the flag taut using the included carabiner hook. This will result in less rattling of the hardware and promote optimal fluttering of the flag as the automobile is set in motion. Refer to Mounting Diagram 3

Wiring:

WARNING! All customer supplied wires that connect to the positive terminal of the battery must be sized to supply at least 125% of the maximum operating current and **FUSED** at the battery to carry that load.

RED - To 12V DC Power Source
 BLACK - To Chassis Ground

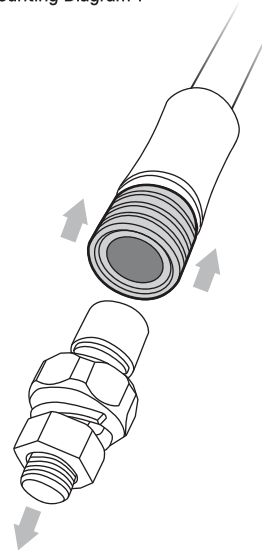
Specifications:

Input Voltage: 3A MAX @ 12V DC per light

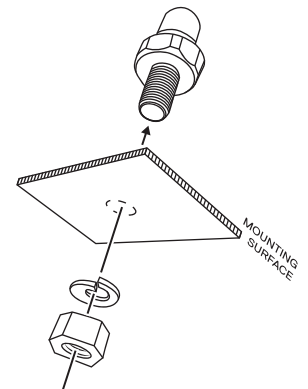


Mounting Diagram:

Mounting Diagram 1



Mounting Diagram 2



Mounting Diagram 3

