



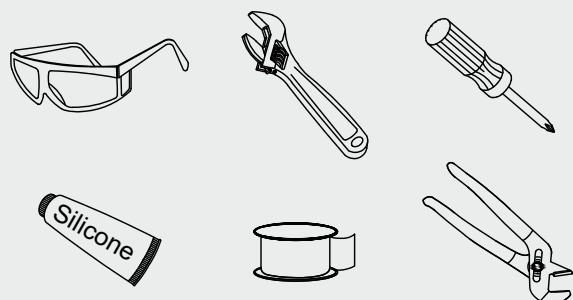
⚠ For installation help, missing or replacement parts -  
**PLEASE CONTACT KARRAN FIRST**

1-866-452-7726  
info@karran.com

**Register Online:**

[www.karran.com/productregistration](http://www.karran.com/productregistration)

**Tools you may need:**



# Installation Guide

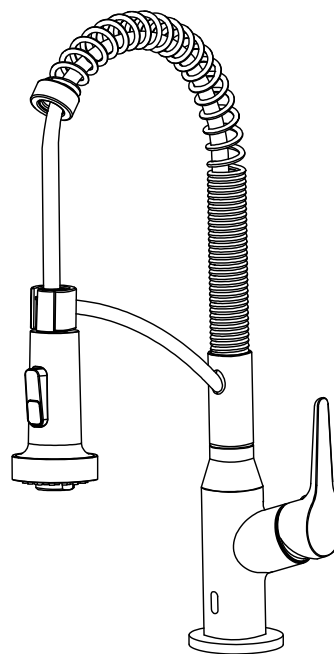


Image is for reference only

## SCOTTSDALE™ TOUCHLESS SINGLE HANDLE PULL DOWN KITCHEN FAUCET

MODEL	FINISH
KKF215BC	Brushed Copper
KKF215SFCB	Spot Free Champagne Bronze
KKF215G	Gold
KKF215SS	Stainless Steel
KKF215C	Chrome
KKF215MB	Matte Black
KKF215MBSFBG	Matte Black / Spot Free Brushed Gold
KKF215MBSFSS	Matte Black / Spot Free Stainless Steel
KKF215SFSS	Spot Free Stainless Steel
KKF215ORB	Oil Rubbed Bronze
KKF215SFBG	Spot Free Brushed Gold
KKF215SFGG	Spot Free Gunmetal Grey

Save this instruction sheet for future reference

We reserve the right to update product installation instructions without notice. Please visit [karran.com](http://karran.com) for the most current installation instructions.

REV. 01/15/2026

Karran USA - 1291 East Ramsey Rd, Vincennes, IN 47591 - T: 866.452.7726 F: 812.885.2440 - [www.karran.com](http://www.karran.com)



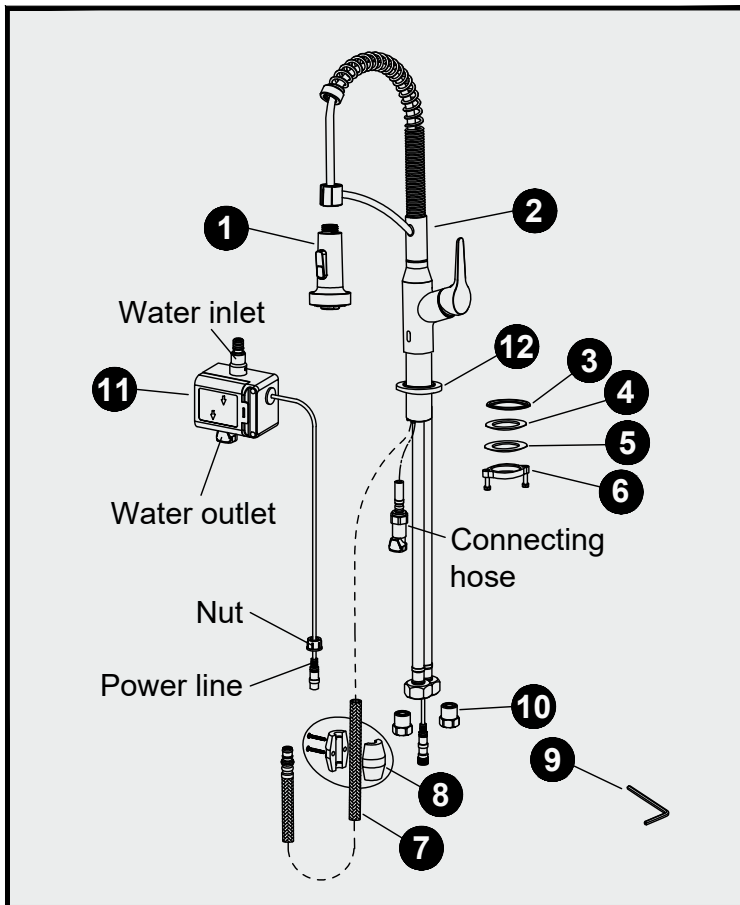
## ⚠ TIPS FOR REMOVING YOUR OLD FAUCET

Turn your water supply off before removing your old faucet. Open the faucet handle to relieve any water pressure and to make sure that complete water shut off has been achieved.

## Care & Maintenance

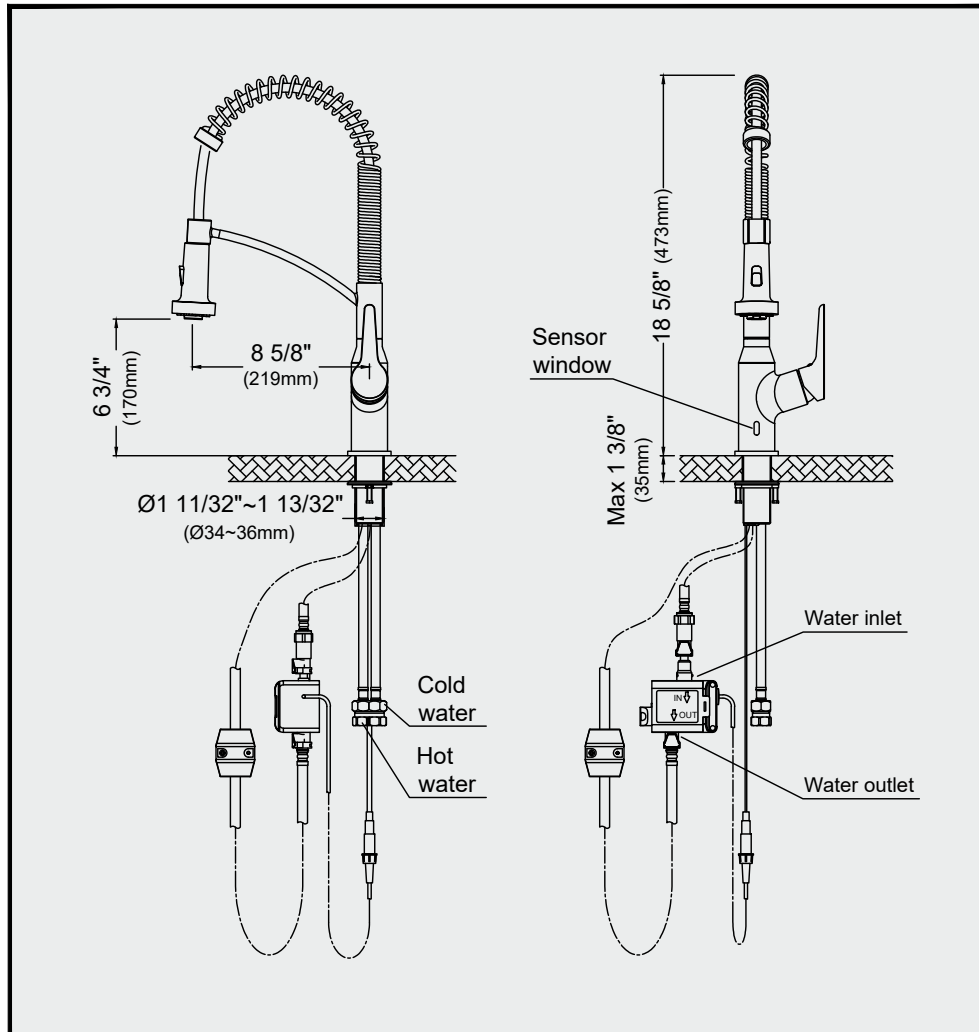
To clean, rinse with clean water and dry with a soft cloth. Do not clean with soaps, polish, abrasives or harsh cleaners, they can cause damage to the finish. Do not use any cloth with a coarse finish. Clean the aerator when needed.

## Parts List

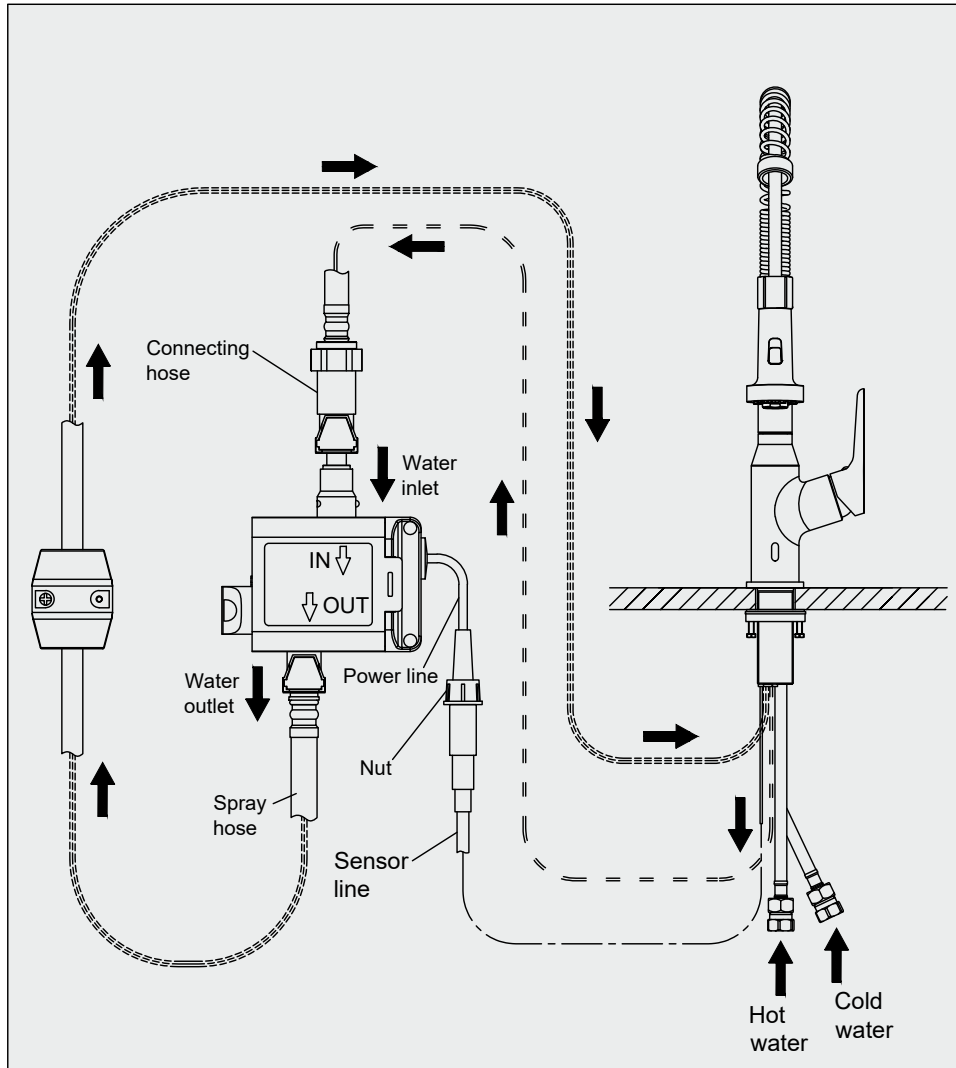


1. Spray Head
2. Main Body
3. Rubber Washer A
4. Rubber Washer B
5. Metal Washer
6. Mounting Hardware
7. Spray Hose
8. Weight
9. Hex Wrench
10. Connector
11. DC Control Box
12. Base

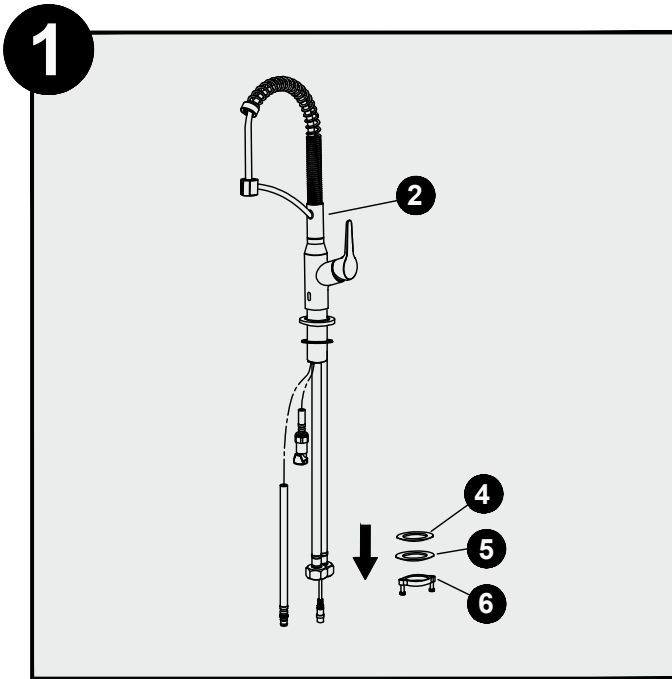
## Technical Drawing



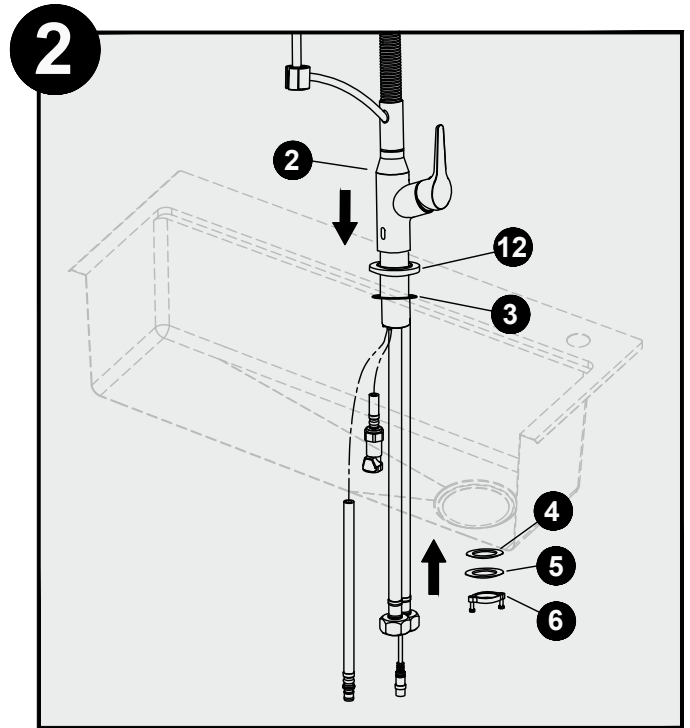
## Technical Drawing



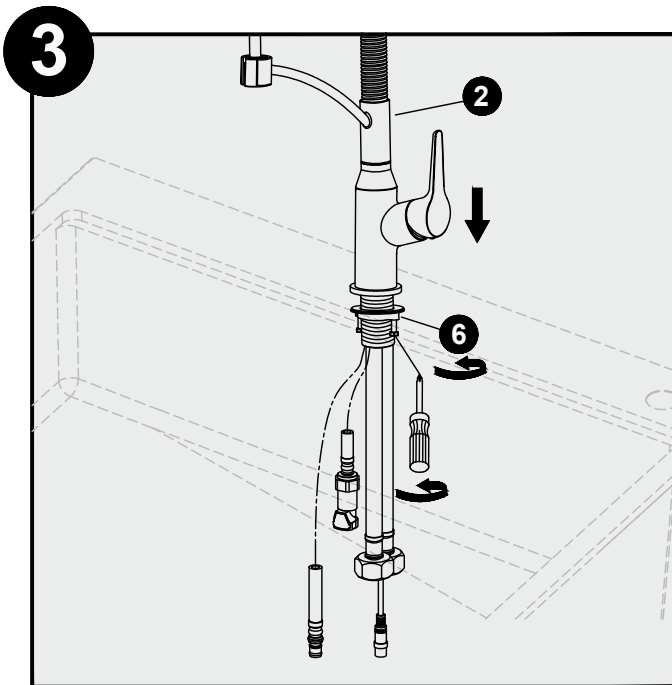
## Installation Steps



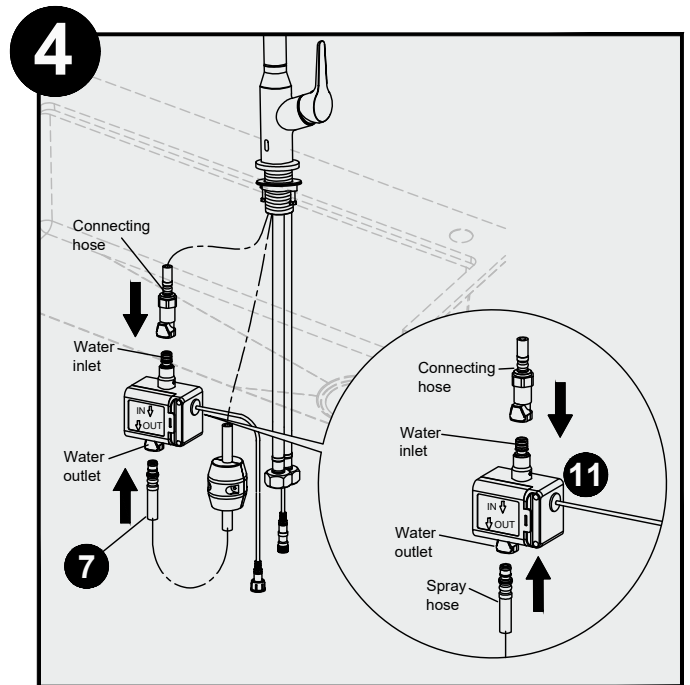
1. Remove the mounting hardware (6), metal washer (5) and rubber washer B (4) from the main body (2).



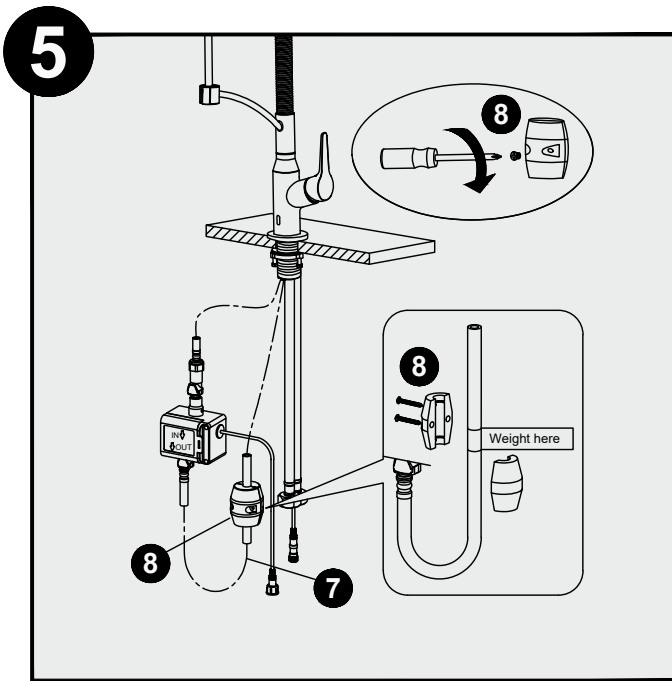
2. Insert the main body (2) into the hole with the base (12) and rubber washer A (3). Refix the rubber washer B (4), metal washer (5) and mounting hardware (6) from below the countertop or sink.



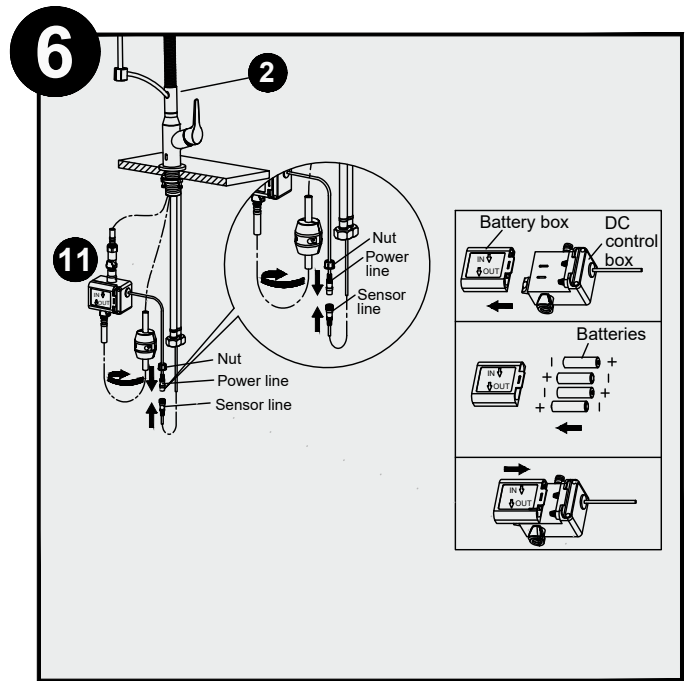
3. After adjusting the direction of the main body (2), tighten the mounting hardware (6) by hand and tighten the screws with a Phillips screwdriver.



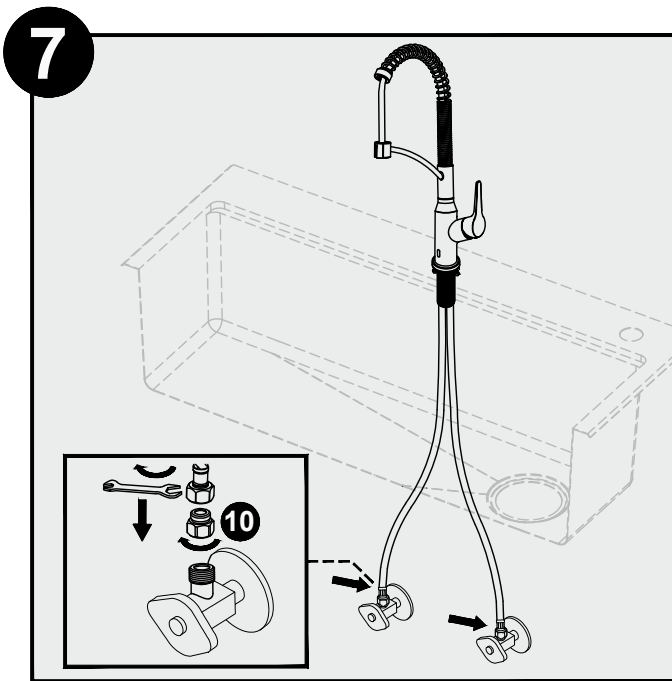
4. Connect the connecting hose and water inlet on the top of the DC control box (11) and the spray hose (7) and water outlet on the bottom of the DC control box.



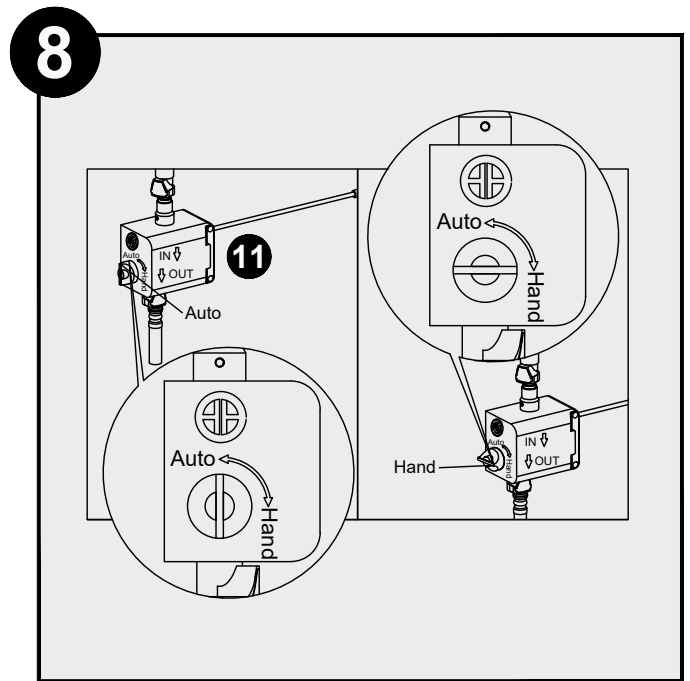
5. Attach the weight (8) onto the spray hose (7).



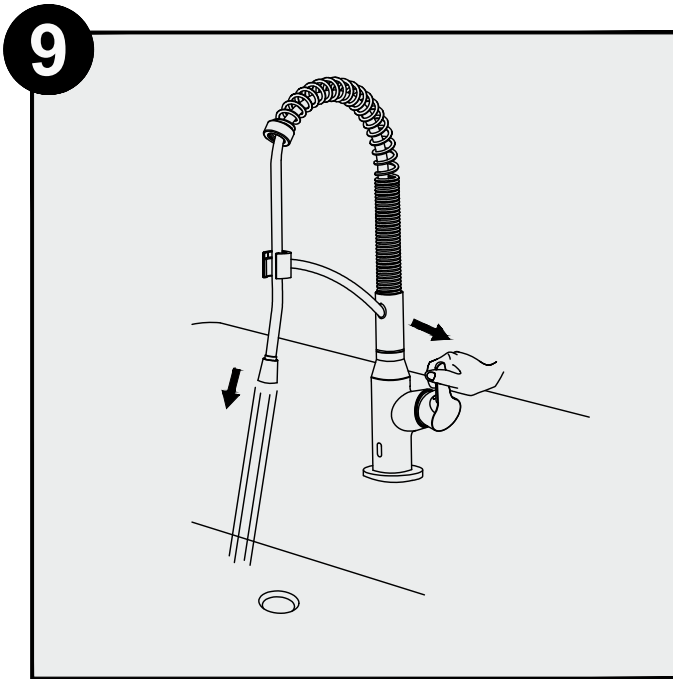
6. Connect the power line of the DC control box (11) and sensor line from the main body (2) and tighten the nut by hand.



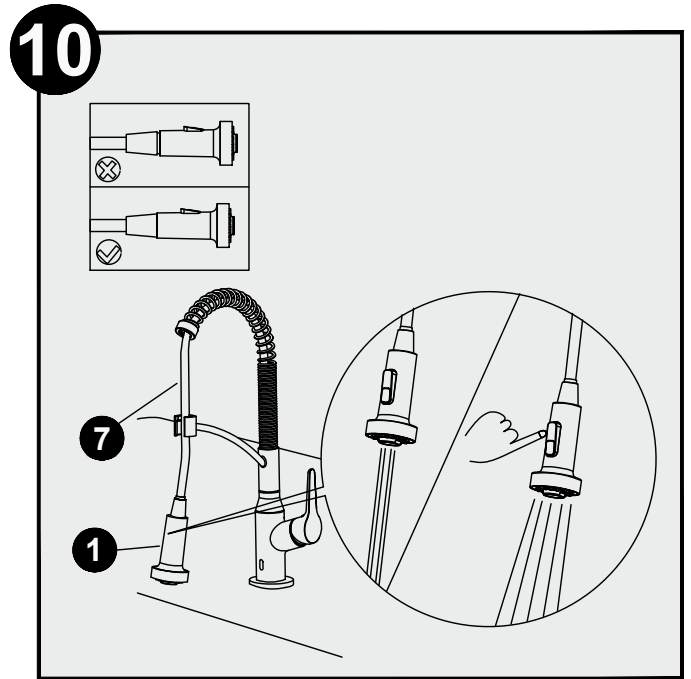
7. Connect the connectors (10) to the waterlines. Then, connect the waterlines to the water valves until snug. Turn on the water valves and check for leaks.



8. The factory default setting on the DC control box (11) is in sensor mode. You will find the switch set to Auto.



9. Turn the faucet on and check for leaks.

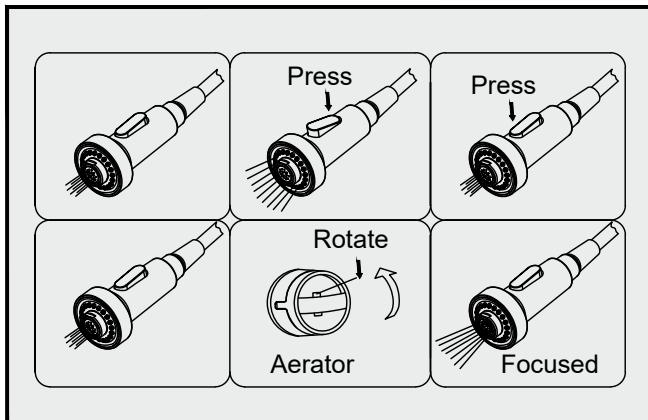


10. Connect the spray head (1) to the spray hose (7).

### Faucet Operation

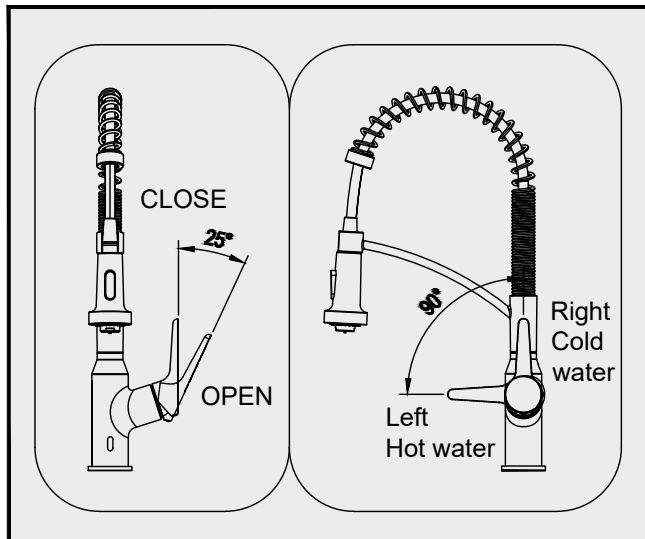
## Faucet Operation

### Spray Head



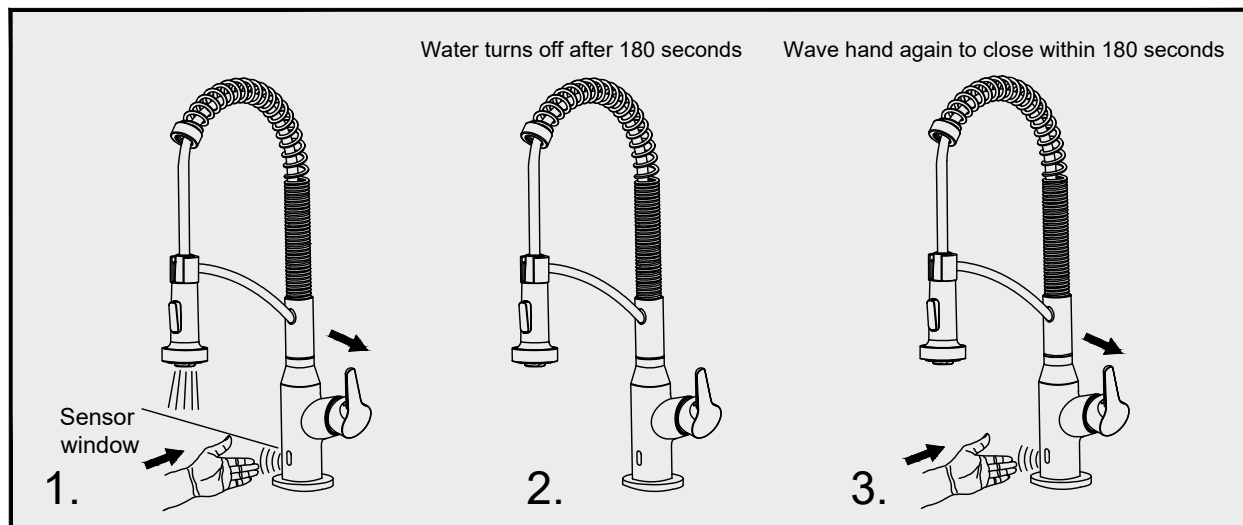
1. When first turned on, water comes from the aerator.
2. Press the top of the button and water comes from the spray nozzles.
3. Press the bottom of the button and water comes from the aerator.
4. The spray head button automatically returns to normal position once the handle is closed.
5. You can rotate the aerator 180° by hand using the little knob. One side is stream and the other is focused. You must make sure the knob is flat once flipped or you may see an uneven water distribution.

### Handle



1. Open the handle lever to turn the water on. Push closed to turn off.
2. Turn the handle lever to the left to increase hot water flow with higher water temperature, turn the handle lever to the upright position to increase cold water flow with lower water temperature.

### Sensor Window

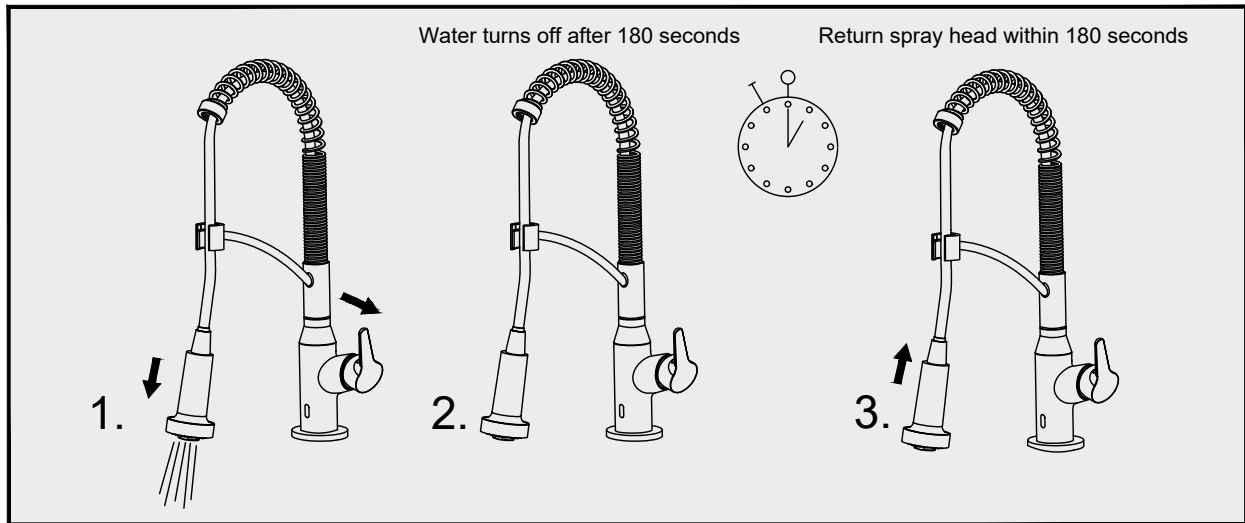


Pull open the handle from the faucet to turn on.

1. Wave hand before sensor window, water flows automatically.
2. Water turns off after 180 seconds automatically.
3. Wave hand before sensor window again within 180 seconds to turn off water.

## Faucet Operation

### Turn on and off water by pull down and return spray



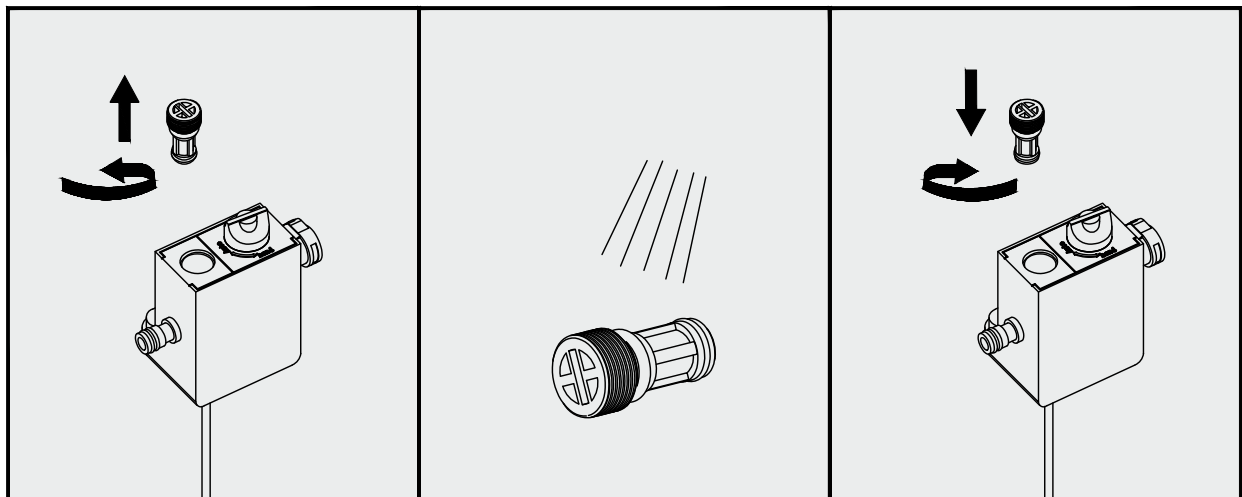
Pull open the handle from the faucet to turn on.

1. Pull down the spray head, water flows automatically.

2. Water turns off after 180 seconds automatically.

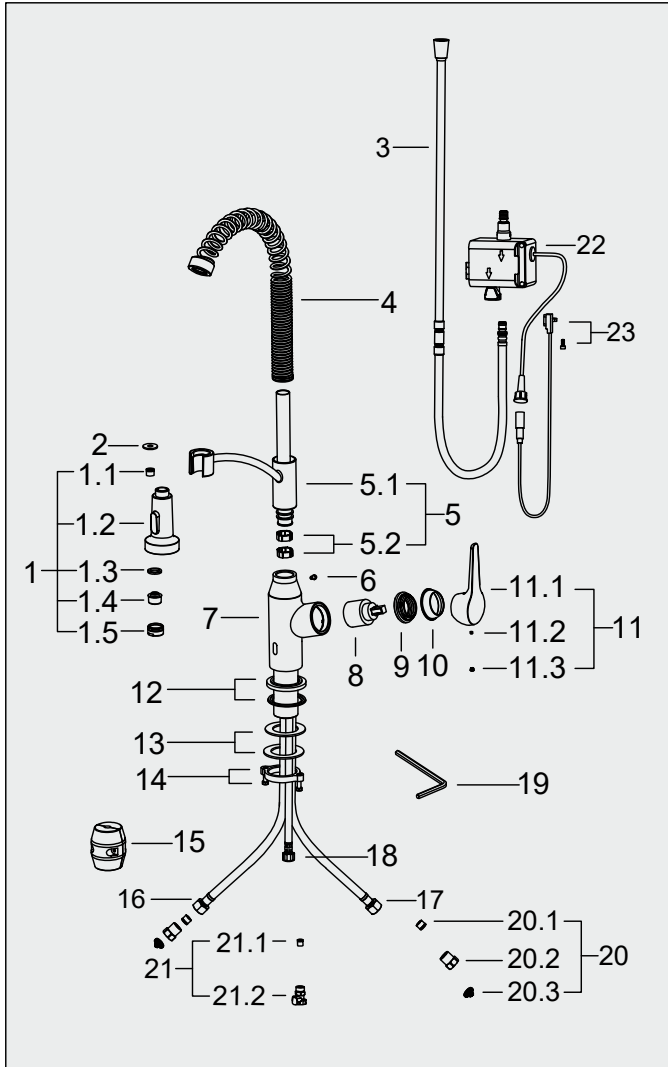
3. Or return spray head within 180 seconds, to turn off water.

## Cleaning of filter in the DC Control box



Please clean filter when water flows down. Normal suggestion for cleaning is twice per year.

## Replacement parts



Description	Finishes	Item No.
1. Spray Head	BC, SFCB, C, G, MB, MBSFBG, MBSFSS, SS, SFBG, SFSS, SFGG, ORB*	KPFSH001
1.4. Aerator		KPFAR001
2. Washer		70020038930
3. Spray Hose	BL, GR*	KPFSL001
4. Spring Assembly		500600410
5. Spray Support Assembly		400601991
6. Set Screw		50060033800
7. Main Body	BC, SFCB, C, G, MB, MBSFBG, MBSFSS, SS, SFBG, SFSS, SFGG, ORB*	100300584
8. 35A Cartridge		KPFCT001
9. Nut		40060199252
10. Cap	BC, SFCB, C, G, MB, MBSFBG, MBSFSS, SS, SFBG, SFSS, SFGG, ORB*	500101091
11. Handle		KPFHD001
12. Base		500101638
13. Rubber & Metal Washers		70020037354
14. Mounting Nut & Screws		40060185018
15. Weight		KPFW001
16. Waterline		50042060021
17. Waterline		50042060026
18. Supply Hose		50040215600
19. Hex Wrench		50060003700
20. Connector		40060128652
21. Fast Connector		50040191652
22. DC Control Box		50020091800
23. Sensor Line		50020091900

\*Denotes faucet component color options:

BC - Brushed Copper

SFCB - Spot Free Champagne Bronze

C - Chrome

G - Gold

MB - Matte Black

MBSFBG - Matte Black/Spot Free Brushed Gold

MBSFSS - Matte Black/Spot Free Stainless Steel

SFBG - Spot Free Brushed Gold

SFSS - Spot Free Stainless Steel

ORB - Oil Rubbed Bronze

SS - Stainless Steel

SFGG - Spot Free Gunmetal Grey

BL - Black

GR - Grey

## Warranty

### Products Subject to this Limited Lifetime Warranty

This Limited Lifetime Warranty applies only to faucets manufactured and sold by Karran USA (the "Company") (the "Products").

### Who is Entitled to this Limited Lifetime Warranty

The Company grants this Limited Lifetime Warranty solely in favor of the original purchaser of the Products (the "Original Purchaser"), but to no other person or entity whatsoever. No person or entity, other than the Original Purchaser, shall have any right to assert any claim under this Limited Lifetime Warranty, or otherwise, in connection with the Products. This Limited Lifetime Warranty is personal to the Original Purchaser and may not be transferred by the Original Purchaser to any other person or entity, by contract, operation of law, transfer of the property into which the Products are installed, or otherwise.

### Commercial Warranty

The Company warrants its Products for a period of (1) year to commercial purchasers of Products used in industrial, commercial and business applications.

### Length of this Limited Lifetime Warranty

This Limited Lifetime Warranty shall begin on the date the Products are purchased from an authorized Company dealer. The structure and finish of the product are warranted to be free from defects in material and workmanship under normal usage for the lifetime of the product. The mechanical components such as but not limited to sprayer head assembly (includes engine, aerators, structure, restrictors, back flow preventers, sprayer hoses, braided supply line hoses which encompasses nylon, silicone and stainless steel, etc.) of the product are warranted to be free from defects in material and workmanship under normal usage for a period of one (1) year from the date of purchase. The mechanical component (cartridge) of the product is warranted to be free from defects in material and workmanship under normal usage for a period of five (5) years from the date of purchase. THIS LIMITED LIFETIME WARRANTY IS IN LIEU OF ALL OTHER WARRANTIES, EXPRESS OR IMPLIED, INCLUDING BUT NOT LIMITED TO THE IMPLIED WARRANTIES OF FITNESS FOR A PARTICULAR PURPOSE AND MERCHANTABILITY.

Please note that some states/provinces (including Quebec) do not allow limitations on how long an implied warranty lasts, so the below limitations may not apply to you. TO THE MAXIMUM EXTENT PERMITTED BY APPLICABLE LAW, ANY IMPLIED WARRANTY, INCLUDING THE IMPLIED WARRANTIES OF MERCHANTABILITY AND OF FITNESS FOR A PARTICULAR PURPOSE, IS LIMITED TO THE STATUTORY PERIOD OR THE DURATION OF THIS WARRANTY, WHICHEVER IS SHORTER.

### What is Warranted

Subject to the conditions and limitations set forth in this Limited Lifetime Warranty, the Company warrants to the Original Purchaser that during the Warranty Period the Products will be free from manufacturing and design defects when used under normal conditions and maintained properly.

### What the Company Will Do

In the event that any Product fails to comply with this Limited Lifetime Warranty, the Company will free of any cost to you:

1. Provide a replacement part, or component that proves to be defective, or
  - a. If the product cannot be economically repaired, replace the product with the same or a comparable product, or
  - b. If the same or a comparable model product is not available, make a reasonable monetary adjustment, taking into account the age of the defective product; provided that
  - c. In no event will our liability exceed the price you paid for the product (including tax and shipping).
2. We will pay all shipping costs of returning a product to us for inspection (if we make that request) and of sending replacement parts, components, or products to you.

THE FOREGOING DESCRIBES THE COMPANY'S SOLE LIABILITY, AND THE ORIGINAL PURCHASER'S SOLE REMEDY, FOR ANY BREACH OF WARRANTY IN RESPECT OF THE PRODUCTS. THE COMPANY SHALL NOT BE LIABLE FOR, ANY SPECIAL, INCIDENTAL OR CONSEQUENTIAL DAMAGES (INCLUDING LABOR CHARGES TO REPAIR, REPLACE, INSTALL OR REMOVE THIS PRODUCT), WHETHER ARISING OUT OF BREACH OF ANY EXPRESS OR IMPLIED WARRANTY, BREACH OF CONTRACT, TORT, OR OTHERWISE.

### How to Make a Claim

To make a claim under this Limited Lifetime Warranty, the Original Purchaser must notify the Company in writing or by phone of any claimed defect in a Product. Such notice must be given promptly following discovery of the claimed defect. The Original Purchaser must submit with such notice proof of purchase and proof of the date of purchase of the Product claimed to be defective. Notification shall be provided to:

USPS  
Karran USA  
Attention: CLAIMS  
PO Box 667  
Vincennes, IN 47591

Email: warranty@karran.com  
Phone: 866-452-7726

The Company shall then promptly inspect, by means of digital photography or video supplied by the customer, the claimed defect and if such examination does disclose a defect covered by this warranty, shall, within thirty (30) days after inspection provide replacement parts for the defective Product (as it shall elect in its sole and absolute discretion), subject to the terms set forth above.

### Limitations

1. The Company shall not be liable under this Limited Lifetime Warranty for any of the following:
  - A. Defects in or failure of the Products caused by accidents, physical abuse or misuse of the Products.
  - B. Defects in or failure of the Products caused by installation of the Products not in strict adherence with the written instructions of the Company.
  - C. Defects in or failure of the Products caused by improper care or maintenance of the Products abrasive cleaners such as powders, ammonia, alcohol or chlorine or chlorine or the use of abrasive pads, steel wool or wire brushes.
  - D. Breakage of the Product that is not due to a defect in the manufacture of the Products.
  - E. Any damage to the Products caused by impact of foreign objects, earthquake, or other acts of God or by fire, explosion or other casualty.
  - F. Defects in, failure of, or damage to the Products caused by materials adjacent to the Products.
  - G. Damage to the Products caused by alteration after completion of their installation by anyone who is not authorized by the Company in writing, whether such alteration be by structural additions, changes, replacements or by equipment installation.
  - H. Changes in the Products due to gloss reduction, scratching, staining or alkaline etching of the finish over time due to use, cleaning practices or water conditions, all of which are not manufacturing defects but are indicative of normal wear and tear.
  - I. This warranty does not cover Products that were discontinued when purchased or display Products, whether such Products were purchased at discount outlets, unauthorized dealers, and/or sold on clearance. This warranty does not cover any free gifts included with purchase.
2. IN NO EVENT SHALL THE COMPANY BE LIABLE FOR CONSEQUENTIAL OR INCIDENTAL DAMAGES OF ANY KIND, INCLUDING, BUT NOT LIMITED TO, ANY DAMAGE TO THE PROPERTY IN WHICH A PRODUCT IS INSTALLED, ITS CONTENTS OR ANY PERSON THEREIN. NO FIELD REPRESENTATIVE, DISTRIBUTOR OR DEALER OF THE COMPANY IS AUTHORIZED TO MAKE ANY CHANGE OR MODIFICATION TO THIS LIMITED LIFETIME WARRANTY. SOME STATES/PROVINCES (INCLUDING QUEBEC) MAY NOT ALLOW LIMITATIONS ON OR THE EXCLUSION OF INCIDENTAL OR CONSEQUENTIAL DAMAGES, SO THE ABOVE EXCLUSIONS MAY NOT APPLY TO YOU.

The invalidity, illegality or unenforceability of any one or more provisions of this Limited Lifetime Warranty shall in no way affect or impair the validity, legality or enforceability of the remaining provisions, which shall remain in full force and effect.

### Legal Remedies

This warranty gives you specific legal rights, and you may also have other rights which vary from state to state and province to province.

04-1-24