

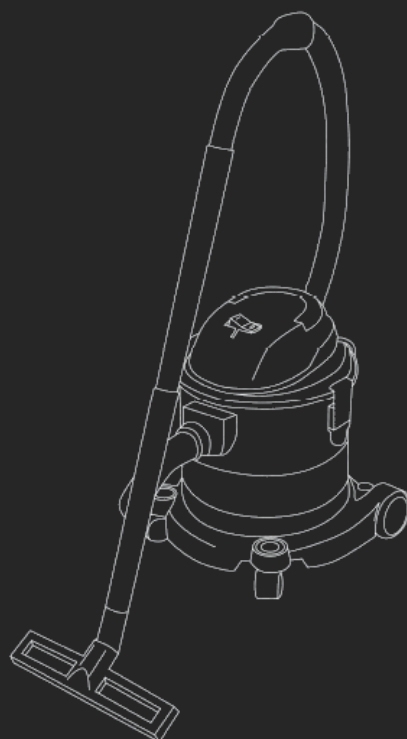
HYUNDAI
POWER PRODUCTS

WET/DRY VACUUM CLEANER HYVI2512

Instruction Manual



GENUINE PRODUCT OF
HYUNDAI CORPORATION



WARNING: Read the instructions carefully before use.

Iss.Oct/24



Introduction

Thank You For Purchasing Your HYUNDAI Product

We work very hard to give all of our customers the best possible service. If you have any problems, before leaving negative feedback, please contact us to give us a chance to resolve the issue. We would be delighted if you left us positive feedback! Thank you for purchasing this product.

Important!



⚠️WARNING : READ THE INSTRUCTION BOOKLET THOROUGHLY BEFORE USING THE MACHINE. Keep for future reference and pass it on if the machine is loaned or sold to another user.

This manual has been produced by Hyundai Power Products and should be kept with the product. Please read and understand these instructions before you use your product. Failure to do this may result in personal injury or damage to the product.

The safety precautions and warnings are to ensure your safety and protect you from harm or damage to the product.

The information contained in this manual was accurate at the time of production, however HYUNDAI Power Products may make modifications to the product without notification.

For more information, go to
www.hyundaisupport.co.uk

Contents

Features.....	4
Symbols On The Machine.....	5
General Safety.....	6-10
Getting Started.....	11
Assembly.....	12-16
Connecting The Hose.....	12
Attaching The Wheels.....	13
Wet Use.....	14
Blower Function.....	15
Dry Use.....	16
Attaching Accessories.....	17
Starting And Stopping.....	18
Maintenance And Care.....	19
Specification.....	20
Notes.....	21-23
Useful Information.....	24
Our Product Range.....	25
Contact Us.....	26
Declaration Of Conformity.....	27

Contact Us



www.hyundaipowerproducts.co.uk



01646 687 880

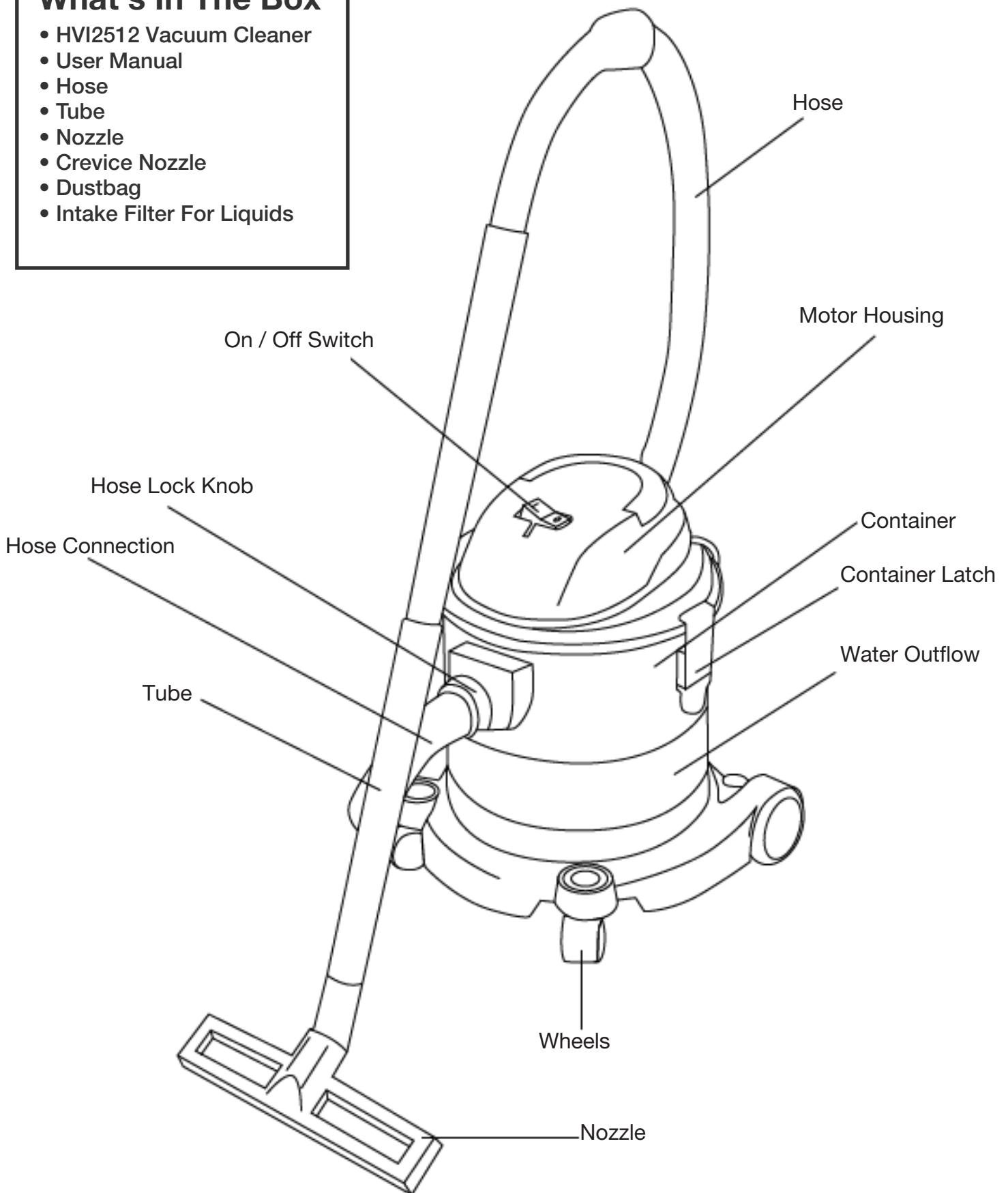


aftersales@hyundaipowerproducts.co.uk

Features

What's In The Box

- HVI2512 Vacuum Cleaner
- User Manual
- Hose
- Tube
- Nozzle
- Crevice Nozzle
- Dustbag
- Intake Filter For Liquids



Symbols On The Machine

Before operating this appliance, please ensure that you read & understand all the instructions that apply to it, as failure to comply with these instructions may result in personal injury to other person, and also increase the risk of fire or electrical shock. Please ensure that any replacement parts or accessories used with this appliance are correctly and/or securely fitted before use. Please retain the instructions for constant reference.



INSTRUCTION MANUAL

Read and understand operator's manual before using the machine. Failure to follow instructions could result in death or serious injury.



PROTECTION CLASS II

Equipped with enhanced or double insulation.



WEEE SYMBOL

Waste electrical products should not be disposed of with household waste. Please recycle where facilities exist. Check with your local authority or local store for recycling advice.



CE SYMBOL

This product complies with the applicable European directives and an evaluation method of conformity for these directives was done.



General Safety



⚠ WARNING : READ THE INSTRUCTION BOOKLET THOROUGHLY BEFORE USING THE MACHINE. Keep for future reference and pass it on if the machine is loaned or sold to another user.

⚠ Understand Your Machine

- **WARNING!** You must read these instructions carefully before operating the machine. Make sure that you are familiar with the controls and properly operate the machine. You must learn how to stop the machine quickly. If you do not follow the warnings and instructions, it may result in fire and/or serious injury. Make sure to save all warnings and instructions for future reference.
- Read this manual and labels affixed to the machine to understand its limitations and potential hazards.
- Be thoroughly familiar with the controls and their proper operation. Know how to stop the machine and disengage the controls quickly.
- If the unit is to be used by someone other than original purchaser, or is to be loaned, rented, or sold, always provide this manual and any needed safety training before operation. The user can prevent and is responsible for accidents or injuries that may occur to themselves, to other people, or to property.
- Do not force the machine beyond its limits. Use the correct machine for your application.
- Know how to stop the machine quickly in case of emergency. Understand the use of all controls.
- ALL MAINTENANCE other than that listed in this manual, should be carried out by professionally trained and certified personnel.

⚠ Personal Safety

- **WARNING!** Never allow children or people unfamiliar with these instructions to use the product. Local regulations can restrict the minimum age of the operator.
- Stay alert, watch what you are doing and use common sense when operating the machine. Never operate the machine when unwell or tired, or if you have taken alcohol, medicine, drugs or any substances which may slow your reflexes and compromise judgement. A moment of inattention while operating the machine may result in serious personal injury.
- Always keep hands and feet away from all pinch points.
- Do not overreach. Keep proper footing and balance at all times. This enables better control of the machine in unexpected situations. Extending your body too far can result in a loss of balance and you may fall which will result in injury.
- Never place any part of your body where it would be in danger if movement should occur during assembly, installation, and operation, maintenance, repairing or moving.

General Safety

- Keep in mind that the operator or user is responsible for accidents, hazards or unexpected events involving the machine that occur to other people or their property. It is the responsibility of the user to assess the potential risk of the area where work is being carried out. The operator or user must take all necessary precautions to ensure their own safety and that of others.

- Keep body parts away from the vacuum opening when the machine is running.

Inspect Your Machine

- Check your machine before starting it. Make sure all nuts, bolts, acetc., are securely tightened.

- You must check the general condition of the machine before use.

- Never operate the machine when it is in need of repair or is in poor mechanical condition. Replace damaged, missing, or failed parts before using it. Keep the machine in safe working condition.

- Do not tamper with or disable safety systems.

- Only use manufacturer-recommended attachments.

- Before using, always visually inspect to see that the tools are not worn out or damaged. Replace worn out or damaged elements and bolts in set to preserve balance.

- Keep the machine in good operating condition. Operating a machine in poor or questionable condition could result in serious injury.

- Be sure all safety devices are in working order and warning labels are in place. These items are installed for your safety.

Work Area

- Make sure you thoroughly inspect the entire work area and remove all objects that you wouldn't want being vacuumed. Attempting to clear the work area whilst using the machine will reduce your concentration and creates a trip hazard. Any liquid spilled on the floor may result in you slipping.

- You must only work in daylight or with good artificial light in good visibility conditions. Keep people, children and animals away from the working area.

- Operate on flat, level ground.

- Never park the machine in a place with unstable ground which could give way.

- You must pay special attention when approaching obstacles that could compromise visibility.

Contact Us



General Safety

Noise (Where Applicable)

- The operating noise of the machine can damage your hearing. Wear hearing protection such as earplugs or ear defenders to protect your hearing. Long-term and regular users are advised to have hearing checked regularly. Be especially vigilant and cautious when hearing ear protection because your ability to hear alarm warnings will be reduced.
- Noise emissions for this equipment is unavoidable. Carry out noisy work at approved times and for certain periods. Limit the working time to a minimum. For your personal protection and protection of people working nearby it is also advisable for them to wear hearing protection.

Vibrations (Where Applicable)

- Prolonged use of hand held (operated) machines will cause the user to feel the effects of/from vibrations. These vibrations can lead to white finger (Raynaud's phenomenon) or carpal tunnel syndrome. This condition reduces the ability of the hand to feel and regulate temperature, causing numbness and heat sensations and may cause nerve damage and circulatory tissue death.
- Not all factors that lead to white finger disease are known, but cold weather, smoking and other diseases that affect blood vessels and blood circulation as well as large and long-lasting impact of shocks are considered factors in the formation of white finger. Note the following to reduce the risk of white finger and carpal tunnel syndrome;
 - Wear gloves and keep your hands warm.
 - Take regular breaks.
- All of the above precautions may help reduce the risk of white finger disease but not rule out the carpal tunnel syndrome. Long-term and regular users are therefore recommended to observe the condition of your hands and fingers. Seek medical attention immediately if any of the above symptoms should occur.

General Safety

Electrical Safety (Where Applicable)

DANGER!

ELECTRICITY CAN KILL – NEVER WORK ON LIVE/ENERGISED EQUIPMENT.

- Prior to carrying out any maintenance work you **MUST** identify electrical isolation methods and isolate all electrical supplies.
- Prior to use and with all electrical supplies isolated, you **MUST** check all electrical cables, plugs and connectors for the following;
 - Are intact and have no signs of damage, to include but not limited to bare wires, chaffing, cuts and loose wiring.
 - If there are any signs of damage, the damaged item **MUST** be taken out of service until the damage has been repaired by an electrically competent person.
- All trailing cables should be routed not to cause any kind of trip hazard.
- **NEVER** work on or near electricity with wet hands, wet clothing and wet gloves.

General Safety

During Use

- Walk, never run with the machine.
- Use extreme caution when pulling the machine towards you.
- Do not operate the machine in confined areas, the hoses and wires of the machine can be a high trip hazard.
- **WARNING!** If something breaks or an accident happens whilst working, you must turn off the machine immediately and move the machine away to prevent further damage. If an accident happens with injuries or third parties are injured, carry out the first aid measures most suitable for the situation immediately and contact the medical authorities for any necessary health care. Carefully remove any debris that might cause damage or harm persons or animals should it not be seen.

Machine Specific Safety

- Do not leave the cleaner running without supervision.
- The mains voltage must be the same as the details on the machine's model plate.
- Do not carry the cleaner by the cable. Only remove the cable from the socket by pulling the plug. Protect the cable from oil, heat and sharp edges. Damaged cables can cause an electric shock.
- Ensure that the cable is not damaged by being run over, crushed, torn, etc.
- The plug must be removed before cleaning or maintaining the appliance.
- Keep the nozzles and filters clean and functional to ensure that the cleaner works better and more safely.
- When picking up liquids, only use the accessories intended for this purpose.
- Do not leave the cleaner out in the rain.
- Do not immerse in water for cleaning.
- Do not use the cleaner to vacuum inflammable or explosive liquids, causticity object, hot and burning dust or harmful material to human body.
- Do not use with hot ash.
- Only use the accessories recommended by the manufacturer.
- Keep the cleaner in a dry room.
- Do not vacuum the objects as follows: inflammable and explosive dangerous material, corrosive material and burning ash, match, and cigarette.
- If the supply cord is damaged, it must be replaced by the manufacturer or its service agent or a similarly qualified person in order to avoid a hazard.
- This appliance is not intended for use by persons (including children) with reduced physical, sensory or mental capabilities, or lack of experience and knowledge, unless they have been given supervision or instruction concerning use of the appliance by a person responsible for their safety.
- Children should be supervised to ensure that they do not play with the appliance.
- Do not use the machine to pick up burning or smouldering debris, explosive or inflammable substances and liquids.

Getting Started

Getting To Know The Machine

The HYVI2512 is a wet and dry vacuum cleaner by HYUNDAI, powered by a 1200W motor. It is designed for picking up dry dust and debris as well as liquids.

The vacuum cleaner is manufactured according to the latest safety requirements. Every precaution is only effective when it is followed exactly.

User Types

This machine is intended for use by consumers, i.e. non professional operators. The machine is intended for “DIY” and domestic use only.


Improper Use

Any other usage not in keeping with the above mentioned ones may be hazardous and harm persons and/or damage things. Examples of improper use may include, but are not limited to:


- transporting people, children or animals on the machine
- letting yourself be transported by the machine

For full specification, go to page 20 or visit www.hyundaipowerproducts.co.uk

Unboxing

 **WARNING!** Unboxing and assembling the machine should be done on a flat, stable surface with enough room. Disposal of the packaging should be done in accordance with the local regulations in force.

Carefully remove the product from the packaging and examine it for any sign of damage caused during shipping. Lay the contents out and check them. If any part is damaged or missing, you must not use the machine. Contact HYUNDAI Power Products immediately. You must keep the packaging material in case the machine needs to be returned or repaired.

 **WARNING!** Some of the packaging material may be harmful to children. Keep out of reach of children.

Assembly

Connecting The Hose

STEP 1

Push the suction hose firmly into fitting on the drum and turn clockwise to secure.



STEP 2

To remove hose, turn anti-clockwise approx. 12mm and pull out of fitting on drum.



Assembly

Attaching The Wheels

STEP 1

Push the splined front wheel shafts firmly into the holes at the base of the unit.



STEP 2

Push the rear wheels into the corresponding holes in the base of the units, make sure all the plastic tabs are inside the hole.



Assembly

Wet Use

STEP 1

For wet use, remove the paper dust bag and use the foam filter over the float cage.



! **NOTE :** Before using to vacuum for wet cleaning, remove all dirt and debris from the tank. The foam intake filter must be used to vacuum up wet debris. Unplug the power cord from the wall outlet before removing the motor assembly from the tank.

Assembly

Blower Function

STEP 1

To use blower function, remove hose from front of power unit and insert into rear outlet and twist clockwise approx. 12mm.



Assembly

Dry Use

STEP 1

For dry use, fit the paper dust bag to the inlet fitting on the inside of drum.



! **NOTE :** In order to ensure proper filtering when vacuuming dust and dry material the intake filter needs removing and the dustbag needs to be put in its place. The intake filter is only to be use vacuuming liquids.

Attaching Accessories

STEP 1

The floor cleaning head and 2-piece suction pipe are a push fit onto the flexible hose.



! Before mounting an accessory, always unplug the machine.

Starting And Stopping Procedure

 **Always check whether the correct accessories have been mounted before switching on the machine.**

For Dry And Debris

- Fit dust bag.
- Insert the mains plug into a mains outlet.
- Switch on the machine by setting the on/off switch to position 'I'.
- Switch off the machine by setting the on/off switch to position '0'.


For Liquids


- Insert the mains plug into a mains outlet.
- Switch on the machine by setting the on/off switch to position 'I'.
- Switch off the machine by setting the on/off switch to position '0'.


The machine is equipped with an overflow float which ensures that the suction power stops when the tank gets too full and a warning signal sounds. Switch off the machine, empty the tank and switch on the machine again.


Maintenance And Care

Maintenance & Care

 **IMPORTANT** - Routine and accurate maintenance is essential for maintaining original machine safety and performance levels.

 **WARNING** - Before cleaning or doing maintenance work, you need to switch the machine off and disconnected from the mains power supply.

 If there are worn or damaged parts, never use the machine. Faulty or worn-out parts must be replaced and not repaired. You must only use original spare parts. The use of non-original and/or incorrectly fitted parts will jeopardize the safety of the machine. This may also cause accidents or personal injuries for which the manufacturer is under no circumstance liable or responsible.

 Any maintenance operations or adjustments not explained in this manual must be carried out by your Dealer or a specialised Service Centre with the necessary knowledge and equipment to ensure that the work is done correctly maintaining the machine's original safety level. Any operations performed in unauthorised centres or by unqualified persons will invalidate the Warranty and all obligations and responsibilities of the Manufacturer.

- Allow the intake filter to dry thoroughly after each use.
- Empty the container each time after using the machine to pick up liquids. Allow the container to dry thoroughly afterwards.
- Regularly clean the container using soap and water. Allow the container to dry thoroughly afterwards.
- Regularly clean the exhaust outlet using a non-fluffy cloth or brush.
- Regularly replace the dustbag. Always replace the dustbag when it is full.
- Regularly replace the intake filter.

Repairs

Only use accessories and spare parts recommended by the manufacturer. You must only have it repaired by an authorised electrician.

Spare Parts

Only use original spare parts: The use of non-original and/or incorrectly fitted parts will jeopardize the safety of the machine, may cause accidents or personal injuries for which the Manufacturer is under no circumstance liable or responsible.

Part	Part Number
Filter	HYVI2512FILTER
Hose	HYVI2512HOSE
Nozzle	HYVI2512NOZZLE

Maintenance And Care

Recycling And Disposal



We do not offer a takeback scheme for the recovery of Waste Electrical Electronic Equipment (WEEE) & Batteries. Instead the responsibility to dispose of WEEE and or Batteries is passed onto you by us.

So when it becomes necessary to dispose of your machine you must take it to your local Civic Amenity Site. For further information please contact your local Authority for disposal advice.

- You **MUST** make sure that all unused oil and fuel is disposed of correctly either beforehand or at your local Civic Amenity Site.
- Under NO circumstances must any fuel or oil be put down any drains.
- Certain products contain WEEE waste which should not be disposed of in your domestic waste.
- You **MUST** recycle WEEE in accordance with your local authority or recycling centre.
- Certain products contain batteries which should not be disposed of in your domestic waste.
- You **MUST** recycle batteries in accordance with your local authority or recycling centre.
- Unwanted packaging and materials should be stored and taken to a recycling centre so it can be disposed of in a manner which is compatible with the environment.



This symbol means you should 'Reduce - Reuse - Recycle'

We are a Member of the VALPAK National Compliance Scheme and our registration number is **RM08660**

For further information about disposal please contact your Local Authority.
You can also get more advice and guidance about recycling at the following website
<http://www.recycle-more.co.uk>

Should you pass this product on to another user either sold or loaned, you **MUST** pass on this user manual. This will make sure that all other users can use and maintain this machine safely.

Environmental Protection

1. Environmental protection should be a priority of considerable importance when using the machine, for the benefit of both social coexistence and the environment in which we live. Try not to cause any disturbance to the surrounding area.
2. You must comply with local regulations and provisions for the disposal of packaging, oils, petrol, filters, damaged parts or any elements which have a strong impact on the environment. This waste must not be disposed of as normal waste. It needs to be separated and taken to specified waste disposal centres where the material will be recycled.
3. You must comply with local regulations for the disposal of waste materials after mowing.
4. When disposing, do not pollute the environment with the machine, but hand it over to a disposal centre, in accordance with the local laws in force.

Contact Us



Specification

Model	HYVI2512
Mains Voltage	230V
Mains Frequency	50Hz
Power Input	1200W
Max. Power Rating Power Socket	2000W
Tank Size	25L
Sound Power Level	80dB(A)
Net Weight	5.2kg

Useful Information

Check Out Our YouTube Channel

Our videos on YouTube include:

- Unboxing
- Assembly of your machine
- How to service your machine
- Products in use
- 'How To' videos
- Product features

Go to www.hyundaisupport.co.uk or search 'Hyundai Power Products' in YouTube.

Warranty

Proof of purchase will be required before you make a warranty claim.

Full warranty terms and conditions can be found on the HYUNDAI POWER PRODUCTS website:
www.hyundaipowerproducts.co.uk

Manual Updates

Our manuals are constantly being reviewed and updated. Should you find an error, omission or something unclear, please contact us for assistance.

We reserve the right to make any modifications without prior notice whenever necessary.

Our latest manuals are also placed online. All our manuals can be downloaded at:
www.hyundaipowerproducts.co.uk

Returning Your Product

If you are returning your product, please contact the dealer for their returns policy.

Leaving A Review

We work very hard to give all of our customers the best possible service.

If you have any problems, before leaving negative feedback, please contact us to give us a chance to resolve the issue.

We would be delighted if you left us positive feedback!

To leave a review, please go to:
uk.trustpilot.com/review/hyundaipowerequipment.co.uk

Ordering Spare Parts

Only use original spare parts: The use of non-original and/or incorrectly fitted parts will jeopardize the safety of the machine, may cause accidents or personal injuries for which the Manufacturer is under no circumstance liable or responsible.

Our Product Range

Generators

Leisure Inverter, Petrol, Diesel And Built-In Motorhome Generators

Pressure Washers

Petrol, Diesel And Electric Pressure Washers

Water Pumps

Submersible, Clean And Dirty Water And Professional Chemical Water Pumps

Lawnmowers

Petrol, Cordless, Electric, Roller, Self Propelled And Electric Start Lawnmowers

Grass Trimmers And Brushcutters

Petrol, Cordless And Wheeled Grass Trimmers And Brushcutters

Chainsaws

Petrol, Cordless And Electric Chainsaws

Hedge Trimmers

Petrol And Cordless Hedge Trimmers

Leaf Blowers

Petrol, Electric, Cordless, Backpack And 3 -in-1 Leaf Blowers

Log Splitters

Horizontal, Vertical, Petrol And Electric Log Splitters

Wood Chippers

Petrol And Electric Start Wood Chippers

Tillers

Petrol Garden Tiller And Cultivator

Earth Augers And Trenchers

Petrol Earth Augers And Heavy Duty Trenchers

Compactor Plates

Petrol Compactor Plates

Cement Mixers

Portable Electric Cement Mixers

Mini Dumpers

4-Wheel Drive Mini Dumper / Power Barrow

Yard Sweeper

Self Propelled Yard Sweeper Power Brush

Scarifiers

Petrol Lawn Scarifier And Aerator

Stump Grinders

Petrol 4-Stroke Stump Grinders

Welders And Plasma Cutters

MIG, TIG, MMA, ARC Welders And Plasma Cutters

Power Tools And Tool Chests

Electric And Cordless Power Tools And Caster Mounted Tool Chests

Vacuum Cleaners

Wet And Dry Vacuum Cleaners

Engines

Petrol And Electric Start Engines

Battery Chargers / Starters

6V, 12V, 24V Battery Chargers, Jump Starters And Hydraulic Floor Jack

Air Compressors

Home, Domestic, DIY And Professional Use Air Compressors

Lighting Towers

Mobile Lighting Towers With Diesel Generators

And More

We Are Constantly Expanding Our Range With New Products

If you would like more information on any of these products, please contact our sales team on 01646 687880 or visit our website www.hyundaipowerproducts.co.uk

Contact Us



www.hyundaipowerproducts.co.uk



01646 687 880



aftersales@hyundaipowerproducts.co.uk

Need Help? Talk To Our Experts

Contact Us

Our friendly aftersales team will be more than happy to help you.

Phone

Call our team on 01646 687880, open Monday-Friday 8.30am-5pm.

Email

aftersales@hyundaipowerproducts.co.uk

Online Live Chat

Go to www.hyundaipowerproducts.co.uk

Live chat is open Monday-Friday from 8.30am-5pm.

Post

Genpower Limited, Isaac Way, Pembroke Dock, Pembrokeshire, SA72 4RW, UK.

Declaration Of Conformity

GENPOWER LTD confirms that this HYUNDAI POWER PRODUCT conforms to the following CE Directives:

EN55014-1:2006/+A1:2009/+A2:2011
EN55014-2:2015
EN6100-3-2:2014
EN6100-3-3:2013

EC DECLARATION OF CONFORMITY

The undersigned, as authorised by: Genpower Ltd

Declares that the following equipment manufactured under license by Hyundai Korea

Conforms to the Directive:

EN55014-1:2006/+A1:2009/+A2:2011
EN55014-2:2015
EN6100-3-2:2014
EN6100-3-3:2013

Of the European Parliament and of the council on the approximation of the laws of the Member States relating to the noise emission in the environment by equipment for use outdoors.

Equipment Category: Power Tools
Product Name/Model: HYVI2512
Type: Wet / Dry Vacuum Cleaner
Mains Voltage: 1200W
Input Power: 230V
Capacity: 25L

The technical documentation is kept by: Roland Llewellyn, Genpower Ltd,
Isaac Way, Pembroke Dock,
Pembrokeshire, SA72 4RW.

The conformity assessment procedure followed was in accordance with annex V or VI of the Directive.

Notified Body: Yongkang Jienuo Industry Trade Co, Ltd
Xialixi Industrial Zone, Yongkang City, Zhejiang Province, P.R. China
Certification No: 160400931HZH-001
Measured Sound Power Level: 80 dB (A)
Guaranteed Sound Power Level: 80 dB (A)

A copy of this certificate has been submitted to the European Commission and to EU Member State United Kingdom.

Place of Declaration: Pembroke Dock, SA72 4RW
Date: Tuesday, 06 August 2019
Signed By: Roland Llewellyn

Position in Company: Managing Director

Name and address of manufacturer or authorised representative:

R J Llewellyn

Genpower Ltd, Isaac Way, Pembroke Dock, Pembrokeshire, SA72 4RW.



Contact Us

27



www.hyundaipowerproducts.co.uk



01646 687 880



aftersales@hyundaipowerproducts.co.uk

HYUNDAI

POWER PRODUCTS



GENUINE PRODUCT OF
HYUNDAI CORPORATION

For Inquiries, Please Contact:
GENPOWER LTD
Isaac Way, London Road,
Pembroke Dock, UK, SA72 4RW.
T: +44 (0) 1646 687 880
E: info@hyundaipowerproducts.co.uk
www.hyundaipowerproducts.co.uk

