

VIVOHOME

THANK
YOU!

NOTE:

To continuously improve its products, VIVOHOME reserves the right to modify this information without prior notification.

For any questions regarding assembly, please watch the video on the product page or contact our customer service. Our customer service will gladly assist you with any additional questions, comments, or concerns.

Thank you for using VIVOHOME products in your home!

Thank You for Purchasing from

VIVOHOME

Made in China

VIVOHOME

HOW-TO

USER MANUAL



Submersible Water Pump



Assembly is EASY!

**WE WANT
YOU TO
ENJOY LIFE
AT HOME**

GO TO THE PRODUCT LISTING PAGE FOR
AN INSTRUCTIONAL VIDEO!

CONTENTS

Ponds, Fountains, and Waterfalls	1
Adjusting the Outlet	3
Explosive View	4
Removing and Installing the Gland	5
Cleaning or Replacing the Impeller	7
Reinstalling the Impeller Assembly and Front Housing	8
Warranty	9

Ponds, Fountains, and Waterfalls



Pump Introduction: Thank you for purchasing this high-performance, energy-efficient pump designed for use in ponds, fountains, waterfalls, hydroponic systems, irrigation systems, and other water features. This pump can be used in either wet or dry installations. And it features wet rotor/wet bearing technology for cooler running, and a pre-filter screen to handle large particles, reducing the need for frequent maintenance. Multiple sizes of insert fittings and suction cups are included. Please note that this pump is designed for fresh water use only.

YH-6000C

Watts: 100 Amps: 0.8 Voltage: 120V, 60Hz Horse Power: 0.12HP
Inlet/ Outlet: 1" Flexible Tube: 3/4" or 1" ID

Flow Rate (gph)	1600	1506	1189	978	740	542	370	251	132	0
Head (ft)	0.0	0.7	3.3	4.9	6.6	8.2	9.8	11.5	13.1	15

YH-7000C

Watts: 120 Amps: 1.1 Voltage: 120V, 60Hz Horse Power: 0.16HP
Inlet/ Outlet: 1 1/4" Flexible Tube: 1 1/4" or 1" ID

Flow Rate (gph)	2700	2325	1982	1638	1295	978	700	462	264	0
Head (ft)	0.0	1.6	3.3	4.9	6.6	8.2	9.8	11.5	13.1	15

YH-7500C

Watts: 150 Amps: 1.4 Voltage: 120V, 60Hz Horse Power: 0.24HP
Inlet/ Outlet: 1 1/4" Flexible Tube: 1 1/4" or 1" ID

Flow Rate (gph)	3000	2850	2590	2250	1990	1730	1410	1000	480	0
Head (ft)	0.0	1.6	3.3	5.0	6.6	8.5	10	13	15	18

YH-8000C

Watts: 175 Amps: 1.5 Voltage: 120V, 60Hz Horse Power: 0.24HP
Inlet/ Outlet: 1 1/4" Flexible Tube: 1 1/4" or 1" ID

Flow Rate (gph)	3800	3480	3164	2848	2532	2216	1900	1584	1268	0
Head (ft)	0.0	1.6	3.3	5.0	6.6	8.5	10	13	15	18

YH-8500C

Watts: 220 Amps: 1.8 Voltage: 120V, 60Hz Horse Power: 0.30HP
Inlet/ Outlet: 1 1/2" Flexible Tube: 1/4" or 1" ID

Flow Rate (gph)	4500	4227	3831	3329	2814	2259	1783	1347	951	608	375	0
Head (ft)	0.0	1.6	3.3	4.9	6.6	8.2	9.8	11.5	13.1	14.8	16.4	19

YH-12000C

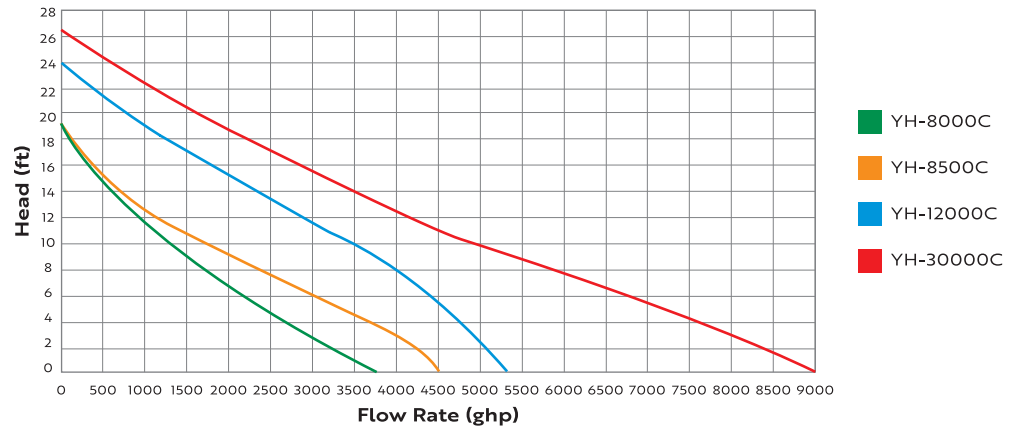
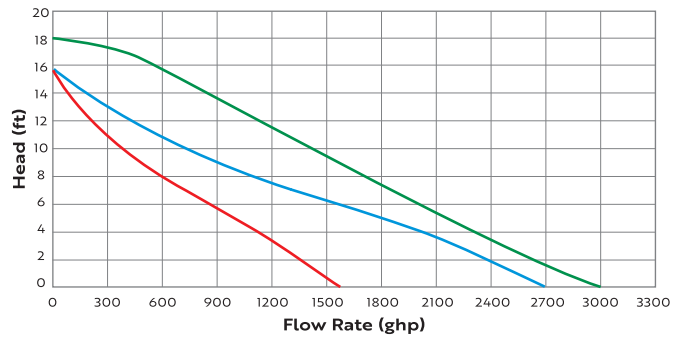
Watts: 310 Amps: 2.7 Voltage: 120V, 60Hz Horse Power: 0.42HP
Inlet/ Outlet: 1 1/2" Flexible Tube: 1 1/2" or 1 1/4" ID

Flow Rate (gph)	5300	5020	4756	4412	4042	3620	3197	2721	2219	1717
Head (ft)	0.0	1.6	3.3	4.9	6.6	8.2	9.8	11.5	13.1	14.8
Flow Rate (gph)	1189	793	476	238	0					
Head (ft)	16.4	18	19.7	21.3	24					

YH-30000C

Watts: 620 Amps: 5.1 Voltage: 120V, 60Hz Horse Power: 0.45HP
Inlet/ Outlet: 2" Flexible Tube: 2" ID

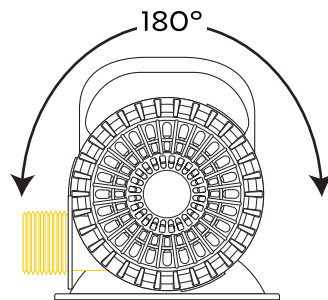
Flow Rate (gph)	9000	7662	7133	6077	4888	3699	2563	1480	0
Head (ft)	0.0	4.6	6.6	9.8	13.1	16.4	19.7	23	27.6



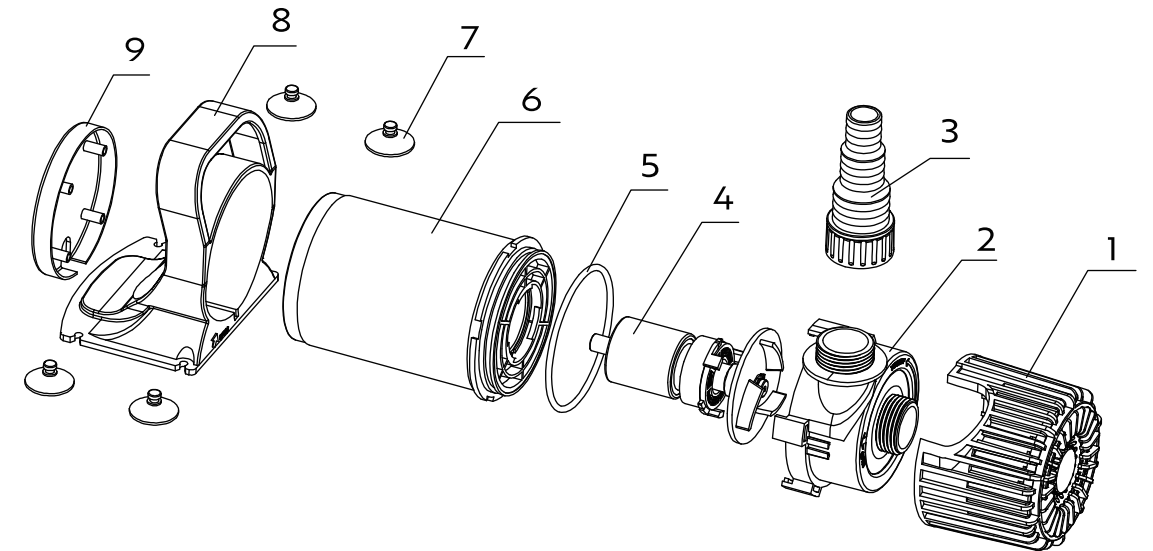
SECTION B Adjusting the Outlet



Rotate part 2 Gland to adjust the water outlet angle to the desired angle.



SECTION C Explosive View



Part No.	Part Name
1	Filter
2	Gland
3	Multi-Hose Adapter
4	Rotor
5	Waterproof Ring

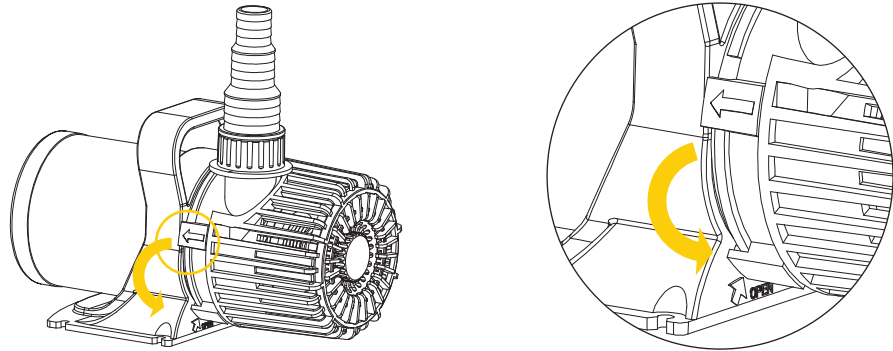
Part No.	Part Name
6	Motor Casing
7	Suction Cup * 4pcs
8	Supporting Seat
9	Front Cover

Removing and Installing the Gland

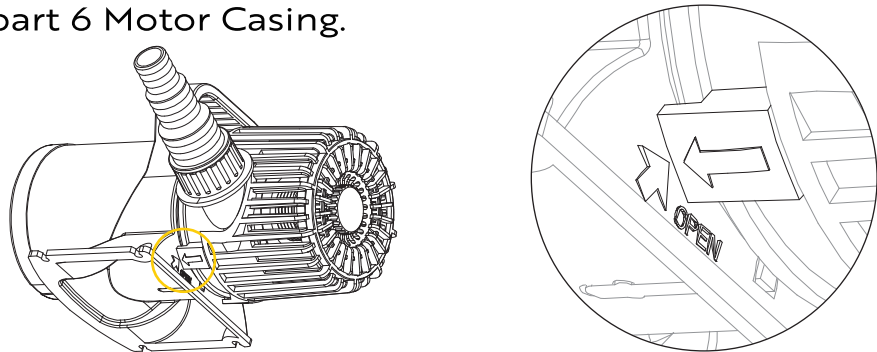


Disassembly Steps:

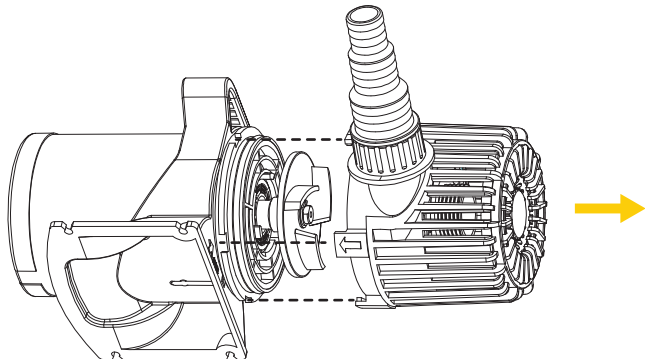
- 1 Rotate part 2 Gland until the two arrows align.



- 2 The latch on part 2 Gland is aligning with the groove on part 6 Motor Casing.

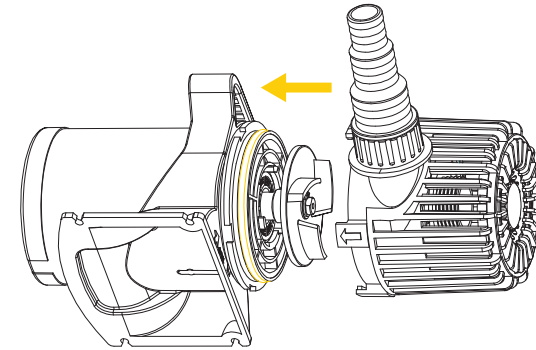


- 3 Remove part 2 Gland by pulling it forcefully.

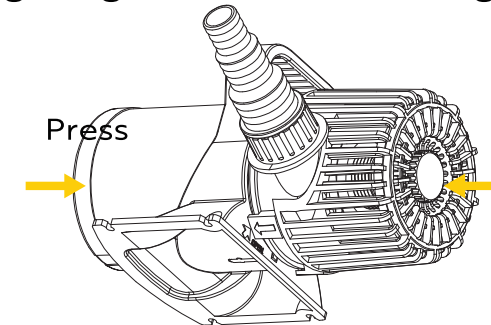


Installation Steps:

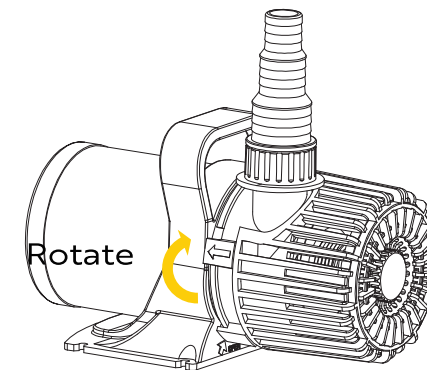
- 1 Make sure the part 5 Waterproof Ring is installed in place.



- 2 Align the arrow on part 2 Gland with the arrow on part 6 Motor Casing. (Align the latch and the groove well.)

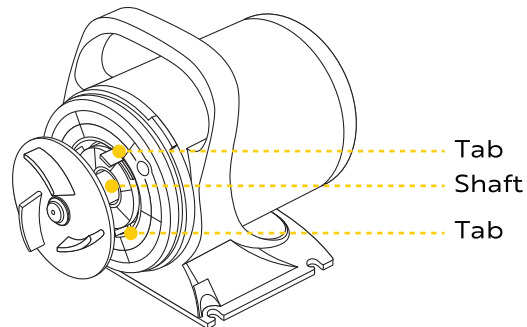


- 3 Press from both ends and rotate to install part 2 Gland.



Cleaning or Replacing the Impeller

To clean or replace the impeller assembly, first remove the front housing by rotating it counter-clockwise. When the impeller is exposed, locate the 3 tabs as shown in the figure below.



Using a pair of needle-nose pliers, very gently grip the shaft with the tip of the pliers while also locking in one of the tabs at the same time. Gently turn the shaft counter-clockwise while pushing on the tab to unlock the impeller assembly. Pull the assembly straight out to remove it from the motor housing (refer to Figures A, B, and C). Use only minimal force while doing this to avoid damaging the tabs on the pump or the impeller assembly. Visually inspect the impeller assembly for any damage. The impeller assembly is the part as shown in Figure D.

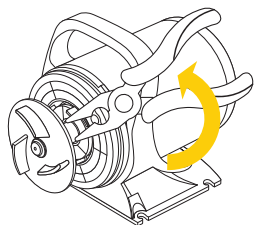


Figure A

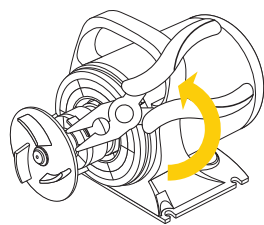


Figure B

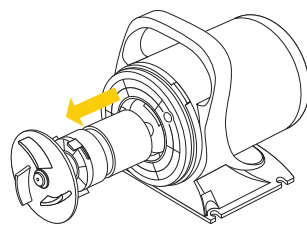


Figure C

Reinstalling the Impeller Assembly and Front Housing

Before reinstalling the impeller assembly, it is recommended you apply the silicon-based lubricant on the ceramic shaft, on the impeller assembly's metallic rotor, and on the O-ring of the pump body. After the lubrication process, reinstall all the components back into the pump by sliding the impeller assembly back into the motor housing.

Using a pair of needle-nose pliers, very gently grip the shaft and one of the tabs at the same time, and turn clockwise while gently pushing on the tab to lock the impeller assembly in place. When you hear a click sound it means the impeller is locked. Use only minimal force while doing this to avoid damaging the tabs on the pump or the impeller assembly.

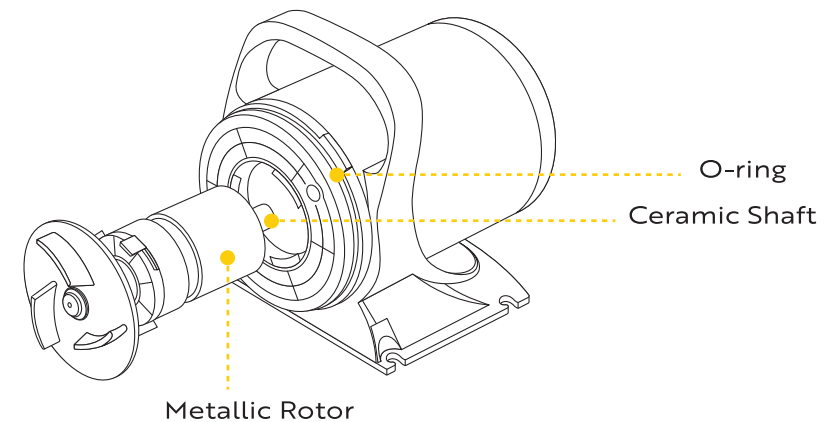


Figure D

Reinstall the front housing by sliding it over the impeller chamber and rotating it clockwise until it locks in the desired position.



The VIVOHOME warranty program is our commitment to you. We are committed to providing you with a high-quality product that meets your needs and expectations. To demonstrate our confidence in the durability and performance of our products, we offer the following warranty.

WARRANTY COVERAGE

This warranty program applies to any orders, purchases, receipts, or use of any products sold by VIVOHOME and is valid for a period of 1 year from the date of purchase. However, please note that this warranty period is only valid for the original order. If you receive a replacement order during the warranty period, it will not include a separate warranty period.

WARRANTY EXCLUSIONS

This warranty does not cover damage resulting from misuse, accident, unauthorized modification, or any other circumstances not directly related to the manufacturing and design of the product, including but not limited to:

- Parts lost during use.
- Normal wear and tear of products or parts.
- Incorrect installation (such as using the wrong voltage) or assembly.
- Exceeding the bearing capacity of the product.
- Use under extremely harsh conditions.

- Improper cleaning or maintenance.
- Damage caused by any reason other than the intended use of the product.
- Indirect loss or damage caused by the product.

HOW TO MAKE A WARRANTY CLAIM

If you find any defects that affect the use of the product or if the product stops working and cannot be repaired during the warranty period, please contact our customer service team at our email or via Amazon & app's direct messaging service as soon as possible. Provide the following information to expedite the process:

- Order number
- Images and/or videos illustrating the issue
- A detailed description of the problem

VIVOHOME will provide technical support, replacement, refund, or other solutions based on the nature of the issue. If you wish to return the original package for any reason, please contact us for confirmation before proceeding. You can expect to receive a response within 48 hours.

Thank you for choosing VIVOHOME. We are committed to ensuring the quality and satisfaction of your purchase. If you have any questions or need assistance, please do not hesitate to contact our customer service team.