

Use & Care Guide
Manual de Uso y Cuidado

Kenmore®

Upright Vacuum Cleaner

Aspiradora

Model/Modelo:
125.10135610

Vacuum Cleaner Help Line:
1-877-531-7321
8:00am-5:00pm EST, M-F

Sears Brands Management Corporation
Hoffman Estates, IL 60179 USA

www.kenmore.com
www.sears.com



TABLE OF CONTENTS

Before Using Your New Vacuum Cleaner	2
Packing List	2
Kenmore Vacuum Cleaner Warranty	3
Important Safety Instructions.....	4
Parts and Features.....	5
Assembly Instructions.....	6-7
Operating Instructions.....	8-11
Performance/Safety Features.....	12-13
Vacuum Cleaner Care.....	13-20
Troubleshooting	21-22
Requesting Assistance Or Service.....	Back page

BEFORE USING YOUR NEW VACUUM CLEANER

Please read this guide. It will help you assemble and operate your new Kenmore vacuum cleaner in the safest and most effective way.

For more information about vacuum cleaner care and operation, call the Vacuum Cleaner Help Line at 1-877-531-7321. You will need the complete model and serial numbers when requesting information. Your vacuum cleaner's model and serial numbers are located on the Model and Serial Number Plate.

Use the space below to record the model number and serial number of your new Kenmore vacuum cleaner.

Model No. _____

Serial No. _____

Date of Purchase _____

Keep this book and your sales check (receipt) in a safe place for future reference.

PACKING LIST

Your KENMORE VACUUM CLEANER is packaged with the following parts and components assembled separately in the carton:

- | | |
|--------------------------|--------------------|
| 1 Upright Vacuum Cleaner | 1 Pet HandiMate |
| 1 Crevice Tool | 1 Extension Wand |
| 1 Dusting Brush | 1 Use & Care Guide |
| 1 Handle & Hose Assembly | |

KENMORE VACUUM CLEANER WARRANTY

KENMORE LIMITED WARRANTY

FOR ONE YEAR from the date of sale this product is warranted against defects in material or workmanship when it is assembled, operated and maintained according to all supplied instructions.

WITH PROOF OF SALE, a defective appliance will be replaced free of charge.

For warranty coverage details to obtain free replacement, visit the web page: www.kenmore.com/warranty.

This warranty does not cover filters or belts, which are expendable parts that can wear out from normal use within the warranty period.

This warranty is void if this product is ever used for other than private household purposes.

This warranty gives you specific legal rights, and you may also have other rights which vary from state to state.

Sears Brands Management Corporation, Hoffman Estates, IL 60179

IMPORTANT SAFETY INSTRUCTIONS

Read all instructions in this guide before assembling or using your vacuum cleaner.

WARNING:

Your safety is important to us. To reduce the risk of fire, electrical shock, injury to persons or damage when using your vacuum cleaner, follow basic safety precautions including the following:

Use your vacuum cleaner only as described in this manual. Use only with Sears recommended attachments.

Disconnect electrical supply before servicing or cleaning out the brush area. Failure to do so could result in the brush unexpectedly starting, causing personal injury from moving parts.

Do not leave vacuum cleaner when plugged in. Unplug from outlet when not in use and before performing maintenance.

To reduce the risk of electrical shock - Do not use outdoors or on wet surfaces.

Do not allow to be used as a toy. Close attention is necessary when used by or near children.

Do not use with a damaged cord or plug. If vacuum cleaner is not working as it should, has been dropped, damaged, left outdoors, or dropped in water, take it to a qualified service dealer for inspection and possible repair.

Do not pull or carry by cord, use cord as a handle, close a door on cord, or pull cord around sharp edges or corners. Do not run vacuum cleaner over cord. Keep cord away from heated surfaces.

Do not unplug by pulling on cord. To unplug, grasp the plug, not the cord.

Do not handle plug or vacuum cleaner with wet hands.

Do not put any objects into openings.

Do not use with any opening blocked; keep free of dust, lint, hair, and anything that may reduce air flow.

Keep hair, loose clothing, fingers, and all parts of body away from openings and moving parts.

Turn off all controls before unplugging.

Use extra care when cleaning on stairs.

Do not put on chairs, tables, etc. Keep on floor.

Do not use vacuum cleaner to pick up flammable or combustible liquids (gasoline, cleaning fluid, perfumes, etc.), or use in areas where they may be present. The fumes from these substances can create a fire hazard or explosion.

Do not pick up anything that is burning or smoking, such as cigarettes, matches, or hot ashes.

Do not use vacuum cleaner without dust cup and/or filters in place.

Always clean the dust cup after vacuuming carpet cleaners or freshener, powders, and fine dust. These products clog the filters, reduce airflow and can cause damage to the vacuum cleaner. Failure to clean the dust cup could cause permanent damage to the vacuum cleaner.

Do not use the vacuum cleaner to pick up sharp hard objects, small toys, pins, paper clips, etc. They may damage the vacuum cleaner or dust cup.

Unplug before connecting Pet HandiMate

You are responsible for making sure that your vacuum cleaner is not used by anyone unable to operate it properly.

WARNING:

This product contains a chemical known to the state of California to cause cancer and birth defects or other reproductive harm.

SAVE THESE INSTRUCTIONS

Proper assembly and safe use of your vacuum cleaner are your responsibilities. Your vacuum cleaner is intended for Household use. Read this Use & Care Guide carefully for important use and safety information. This guide contains safety statements under warning and caution symbols.

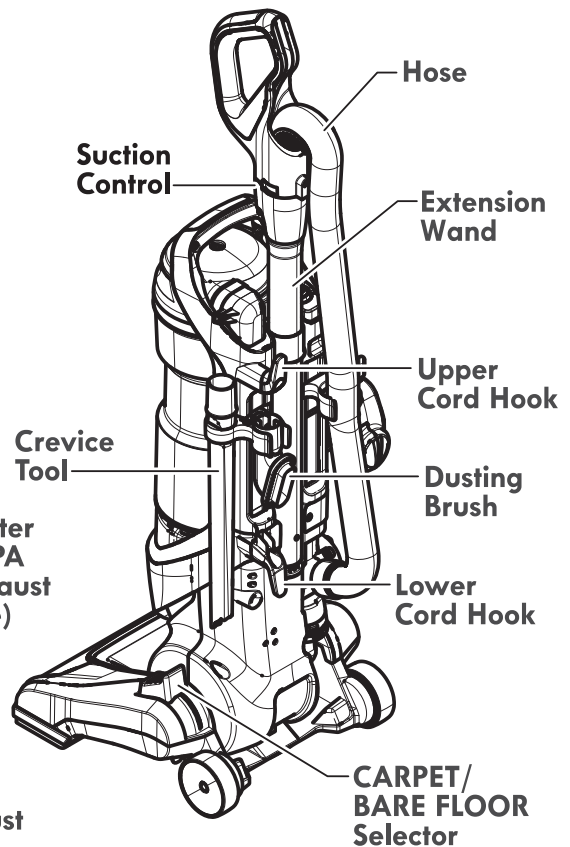
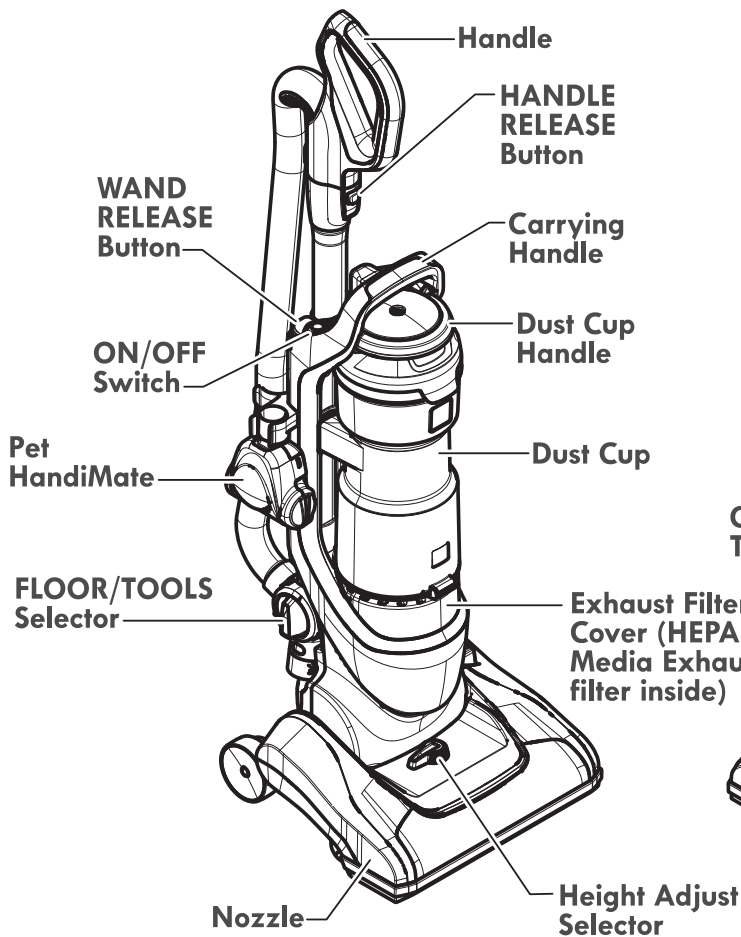
PARTS AND FEATURES

It is important to know your vacuum cleaner's parts and features to assure its proper and safe use. Review these before using your vacuum cleaner.

REPLACEMENT PARTS

Part	Part No.
Exhaust Filter	20-60102*
Primary Filter	KC44KDMTZ000
Belt	20-5275
To order a replacement part call 1-844-553-6667 or visit www.searspartsdirect.com	
* Available online at www.sears.com	

NOTE: Detailed illustrations and listings of all vacuum cleaner parts are also available at searspartsdirect.com



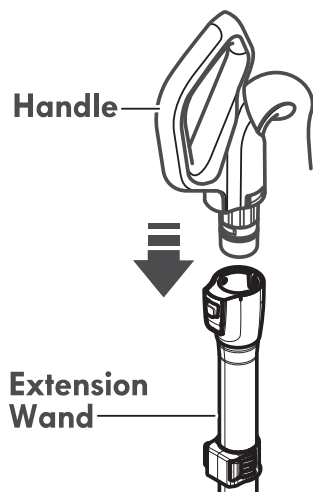


Please pay special attention to these hazard alert boxes, and follow any instructions given. **WARNING** statements alert you to such hazards as fire, electric shock, burns and personal injury. **CAUTION** statements alert you to such hazards as personal injury and/or property damage.

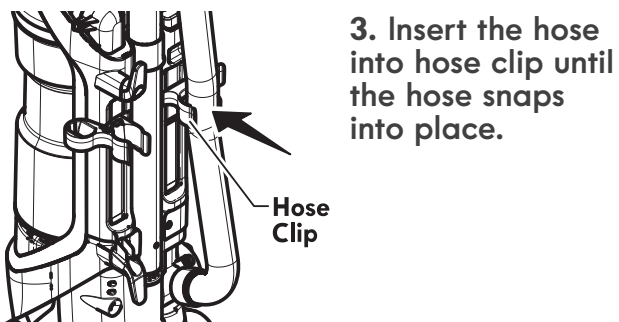
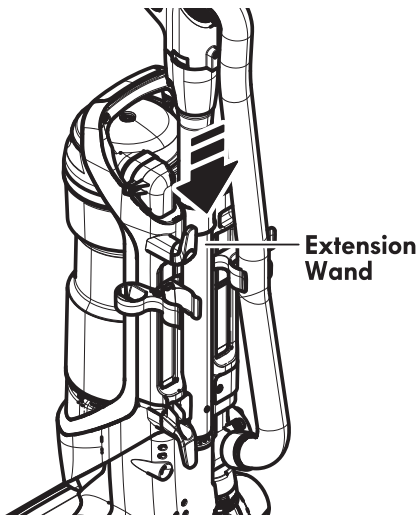
ASSEMBLY INSTRUCTIONS

Before assembling the vacuum cleaner, check the **PACKING LIST**. (Page 2) Use this list to verify that you have received all the components of your new Kenmore vacuum cleaner.

1. Insert the handle into extension wand until the handle snaps into place.



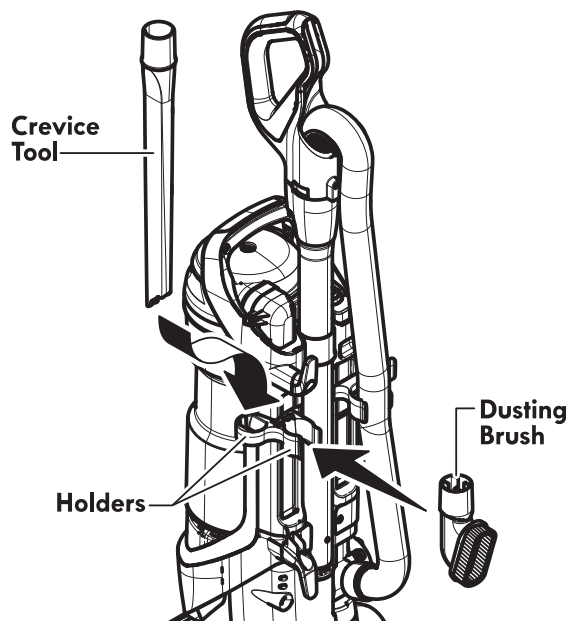
2. Insert the extension wand into body until the wand snaps into place.



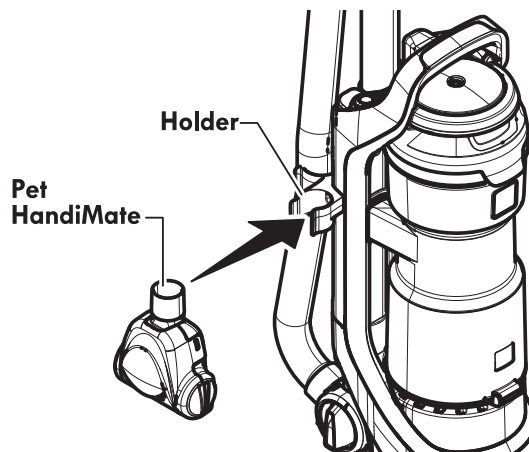
3. Insert the hose into hose clip until the hose snaps into place.

ATTACHMENTS

Insert the dusting brush and crevice tool into the holders located on the vacuum cleaner as shown.



Insert the Pet HandiMate into the holder located on the vacuum cleaner as shown.



POWER CORD - WRAPPING



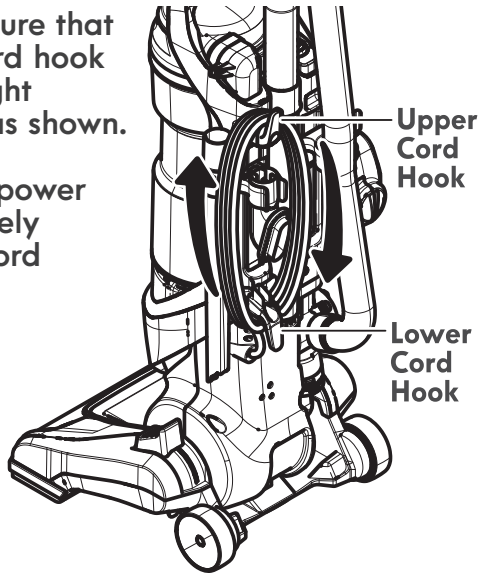
WARNING

Electrical Shock and Personal Injury Hazard

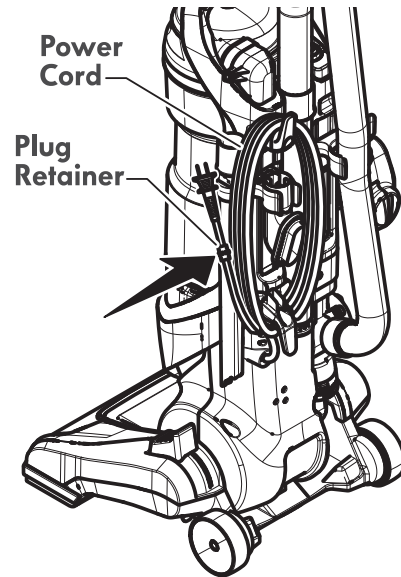
Wrapping the cord too tightly puts stress on the cord and can cause cord damage. A damaged cord is an electrical shock hazard and could cause personal injury or damage.

1. Make sure that upper cord hook is in upright position as shown.

2. Wrap power cord loosely around cord hooks.



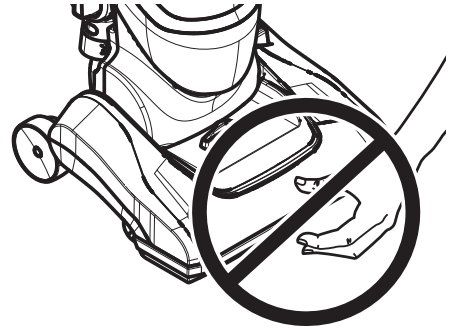
3. Lock plug retainer onto the power cord.



OPERATING INSTRUCTIONS

CAUTION

Moving parts! To reduce the risk of personal injury, DO NOT touch the agitator when vacuum cleaner is on. Contacting the agitator while it is rotating can cut, bruise or cause other injuries. Always turn off and unplug from electrical outlet before servicing. Use caution when operating near children.



POWER CORD - RELEASE & USE



Upper
Cord
Hook

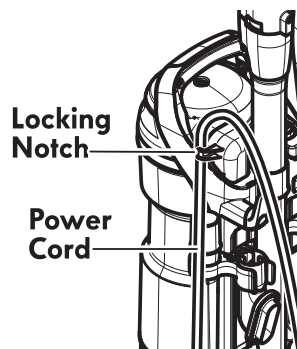
1. Turn the upper cord hook to either side and down to release the power cord.

WARNING

- To reduce the risk of electric shock, this vacuum cleaner has a polarized plug (one blade is wider than the other).
- The plug will fit in a polarized outlet only one way. If the plug does not fit fully in the outlet, reverse the plug. If it still does not fit, contact a qualified technician to install the proper outlet. Do not change the plug in any way.

2. Detach the power cord plug from the power cord and pull the cord off the upper cord hook.

3. Place the power cord into the locking notch as shown. This will help manage the cord when operating vacuum cleaner.



4. Plug the polarized power cord into a 120 Volt outlet located near the floor.

WARNING

Personal Injury and Product Damage Hazard

When any abnormality/failure occurs, stop using the product immediately and disconnect the power plug.

DO NOT use outlets above counters. Damage from cord to items in surrounding area could occur.

5. To restore cord after use turn upper cord hook to the up position, then wrap cord loosely around cord hooks.

WARNING

Electrical Shock And Personal Injury Hazard

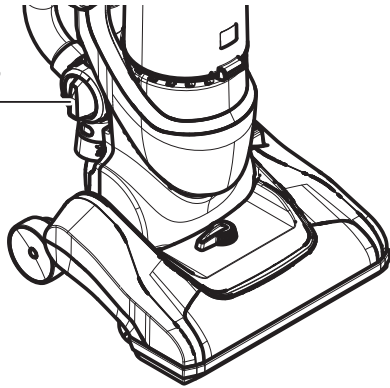
Wrapping the cord too tightly puts stress on the cord and can cause cord damage. A damaged cord is an electrical shock hazard and could cause personal injury or damage.

OPERATION MODES

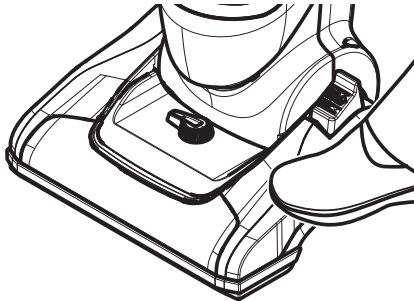
UPRIGHT MODE

1. When vacuuming floors, verify that the FLOOR/TOOLS Selector is in the FLOOR position.

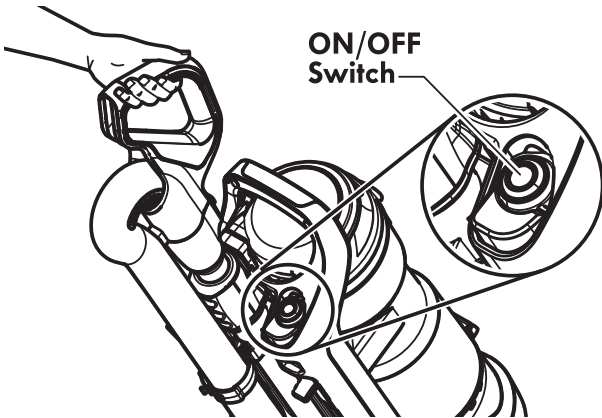
FLOOR/TOOLS Selector



2. Release the handle by placing foot on the nozzle and pull back to change handle position.



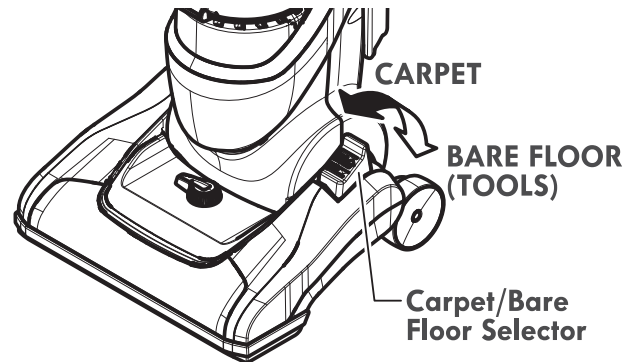
3. Press the ON/OFF button to turn the vacuum cleaner on or off.



CARPET/BARE FLOOR SELECTOR

The CARPET/BARE FLOOR selector should be placed in BARE FLOOR (TOOLS) position when using vacuum cleaner on bare floors and when using tools. The agitator does not rotate in the BARE FLOOR (TOOLS) position.

The Carpet/Bare Floor selector should be placed in CARPET position when using vacuum cleaner on carpeted floors.

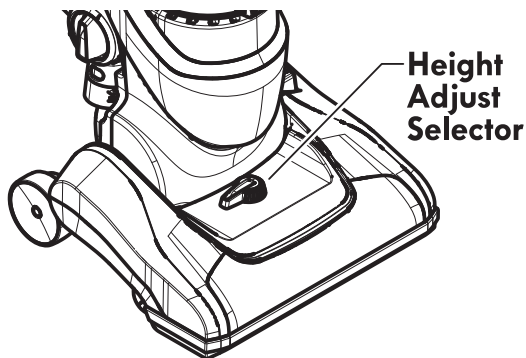


CAUTION

Incorrect setting may damage floor.

PILE HEIGHT SELECTION AND SETTINGS

Select a pile height setting by turning the height adjust selector located on the nozzle.



SUGGESTED PILE HEIGHT SETTINGS

Attention: Refer to your carpet manufacturers cleaning recommendations. Some more delicate carpets may require that they be vacuumed with the agitator turned off to prevent carpet damage.

There are four (4) pile height settings on the vacuum cleaner. For best deep down cleaning, use the LO setting. However, you may need to raise the height to make some jobs easier, such as scatter rugs and some deep pile carpets, and to prevent the vacuum cleaner from shutting off.

Suggested settings are:

HI – Shag, deep pile, or scatter rugs.

MED HI – Medium to deep pile.

MED LO – Low to medium pile.

LO – Most carpets; Bare floors (combined with Floor / Tools selector in Bare Floor position); Delicate carpets that require agitator to be turned off.

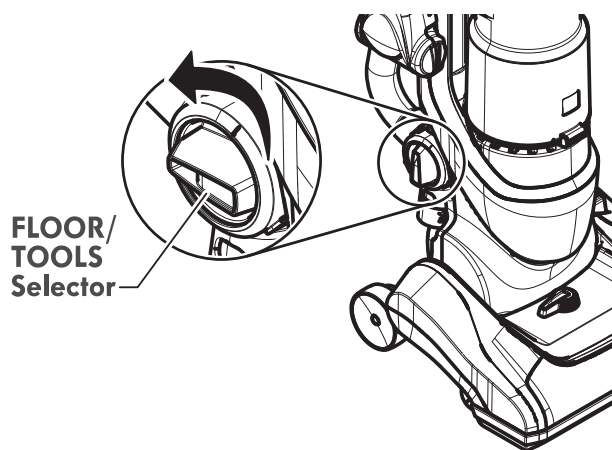


CAUTION

Do not allow vacuum cleaner to remain in one spot for any length of time when the agitator is turning. Damage to carpet may occur.

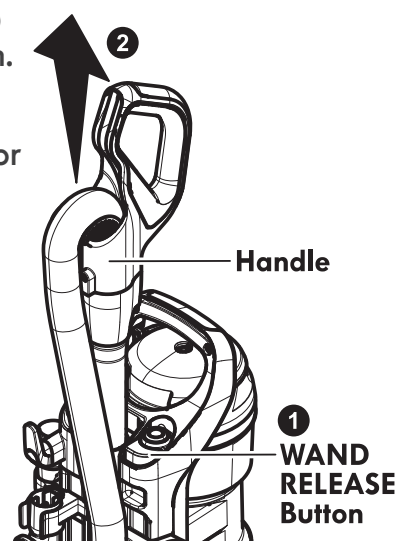
ABOVE FLOOR MODE

1. When using in Above Floor Mode, verify that the FLOOR/TOOLS Selector is in the TOOLS position.



2. Press WAND RELEASE button.

3. Pull up to release wand for above floor cleaning.



4. Slide attachment into the open end of wand. Use attachments as needed. See ATTACHMENT USE TABLE. (page 12)

USING ATTACHMENTS ON HANDLE

1. Place the vacuum cleaner in the upright locked position.
1. Verify that the FLOOR/TOOLS Selector is in the TOOLS position.
2. Remove the handle from the wand by pressing the **HANDLE RELEASE** button.
3. Slide attachment into the open end of handle. Use attachments as needed. See **ATTACHMENT USE TABLE**. (page 12).



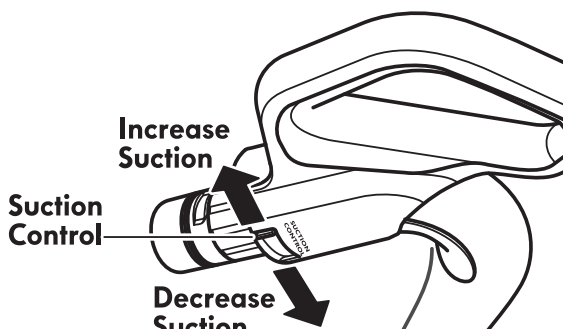
CAUTION

- Always return the vacuum cleaner to the upright position before using the hose and attachments.
- When using attachments, be careful not to overextend the stretch hose when reaching. Trying to reach beyond the hose stretch capability could cause the vacuum cleaner to tip over.
- **DO NOT** pull the vacuum cleaner around the room by the hose. Property damage or personal injury could result.

ATTACHMENTS

SUCTION CONTROL

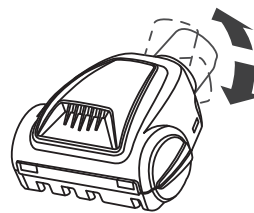
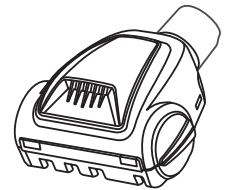
The suction control allows you to change vacuum cleaner suction for different fabric and carpet weight.



- Opening control decreases suction for draperies and lightweight rugs.
- Closing control increases suction for upholstery and carpets.




PET HANDIMATE

The Pet HandiMate can be attached to either the handle or the extension wand.



Pet HandiMate pivots for more convenient cleaning.

ATTACHMENT USE TABLE

CLEANING AREA							✓ = Applicable
ATTACHMENT	Furniture*	Between Cushions*	Drapes*	Stairs		Floors	
				Carpet	Bare		
CREVICE TOOL 	✓	✓		✓	✓		
DUSTING BRUSH 	✓		✓	✓	✓		
PET HANDIMATE 	✓			✓			

* Always clean attachments before using on fabrics.

PERFORMANCE/SAFETY FEATURES

MOTOR PROTECTION SYSTEM

THERMAL PROTECTOR

This vacuum cleaner has a thermal protector which automatically trips to protect the vacuum cleaner suction motor. If a clog prevents the normal flow of air to the motor, the thermal protector turns the motor off automatically. This allows the motor to cool in order to prevent possible damage to the vacuum cleaner.

To reset thermal protector: Turn the vacuum cleaner off and unplug the power cord from the outlet to allow the vacuum cleaner to cool and the thermal protectors to reset.

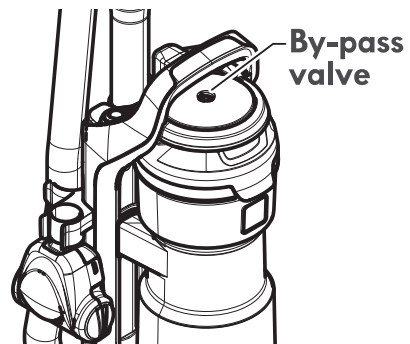
Check for and remove clogs, and empty dust cup if necessary. Also check and replace any clogged filters. Wait approximately 50 minutes before restarting vacuum cleaner.

BY-PASS VALVE

This vacuum cleaner has a By-Pass Valve which prevents motor overheating and damage. The valve opens to provide cooling air when a clog prevents normal air flow to the vacuum cleaner suction motor. You will notice a change of sound as air rushes through the valve opening. **To correct problem, empty the dust cup and clean the primary filter and pre-filter. If using attachments, adjust suction control to allow for greater air flow.**

NOTE: The By-Pass Valve may open when using attachments or when cleaning new carpet due to reduced airflow caused by the attachments themselves or by new carpet lint filling the dust cup quickly.

NOTE: Do not block By-Pass Valve.



VACUUM CLEANER CARE

Always follow all safety precautions when performing maintenance to the vacuum cleaner.

WARNING

Electrical Shock And Personal Injury Hazard

Disconnect electrical supply before servicing or cleaning the vacuum cleaner. Failure to do so could result in electrical shock or personal injury from vacuum cleaner suddenly starting.

CLEANING EXTERIOR AND ATTACHMENTS

1. Turn off and unplug vacuum cleaner. **DO NOT drip water on vacuum cleaner.**

2. To clean exterior, or to reduce static electricity and dust build-up, wipe outer surface with a clean, soft cloth that has been dipped in a solution of mild liquid detergent and water, then wrung dry. Wipe dry after cleaning.

Wash crevice tool and dusting brush in warm soapy water, rinse and air dry. **Do not clean in dishwasher.**

CAUTION

Do not use attachments if they are wet. Attachments used in dirty areas, such as under a refrigerator, should not be used on other surfaces until they are washed. They could leave marks.

VACUUM CLEANER STORAGE

Replace hose and wand in storage position if necessary (see Page 6).

Gather the cord and wrap it loosely around the upper and lower cord hooks. Lock plug retainer onto the power cord.

Store the vacuum cleaner in a dry, indoor area, on the floor with the handle locked in the upright position.

WARNING

Electrical Shock And Personal Injury Hazard

Wrapping the cord too tightly puts stress on the cord and can cause cord damage. A damaged cord is an electrical shock hazard and could cause personal injury or damage.

EMPTYING DUST CUP

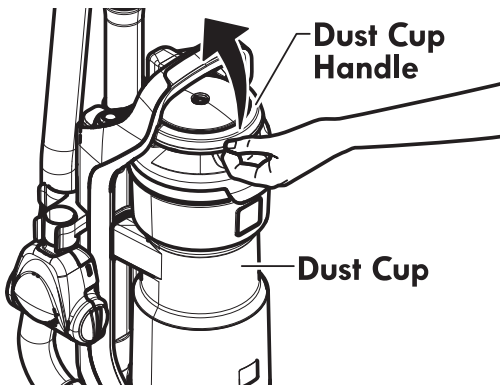


WARNING

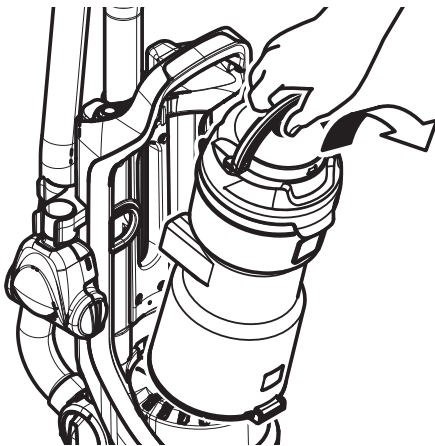
Always unplug power cord from electrical outlet before performing any service on vacuum cleaner.

TO REMOVE DUST CUP

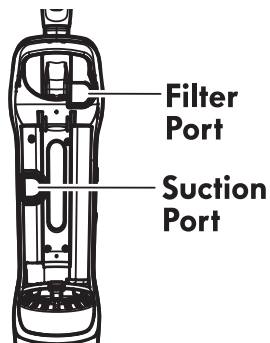
1. Lift dust cup handle located at the top of the dust cup.



2. Pull the dust cup handle up and lift dust cup up and out of the vacuum cleaner.



3. Remove any clogs that might be located in the suction port or filter port area.



TO EMPTY DUST CUP

1. Raise dust cup handle to the vertical position.

2. Hold dust cup over a trash container.

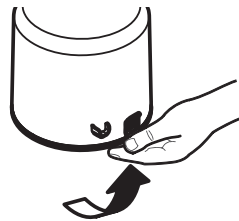
3. Press the dust cup latch downward to release the door.

The door will swing open and the debris will fall into the trash container.

4. Shake the dust cup to release any debris that might hang in the pre-filter.

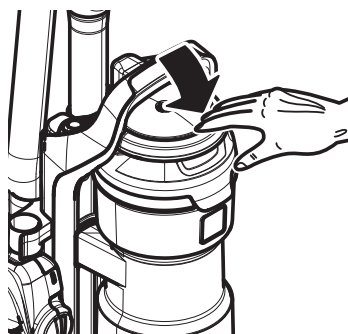
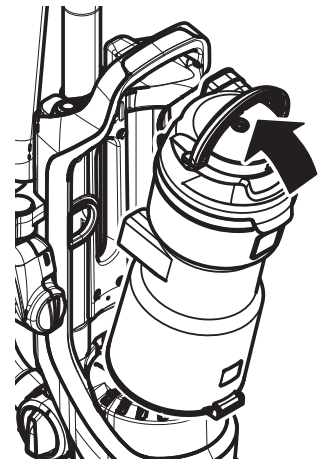


5. After the dust cup is empty of debris, firmly close the door. Make sure you hear a "click" sound to indicate that the door is fully latched.



TO REINSTALL DUST CUP

1. Place dust cup back into vacuum cleaner by inserting the bottom first and tilting back with the dust cup handle raised.



2. Lower the dust cup handle to lock dust cup in place. A noticeable "click" should be heard.

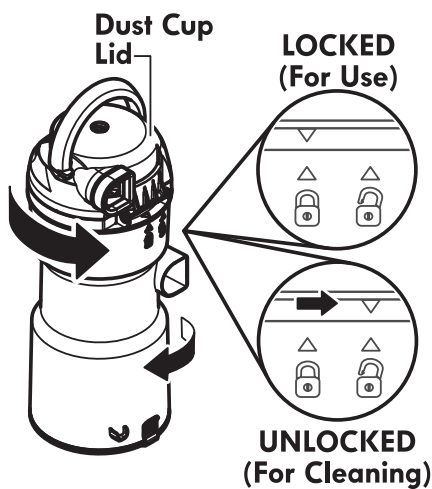
PRE-FILTER CLEANING

The pre-filter is located inside the dust cup. Check the pre-filter frequently and clean when dirty.

1. Remove the dust cup as outlined in the **EMPTYING DUST CUP** (page 14).

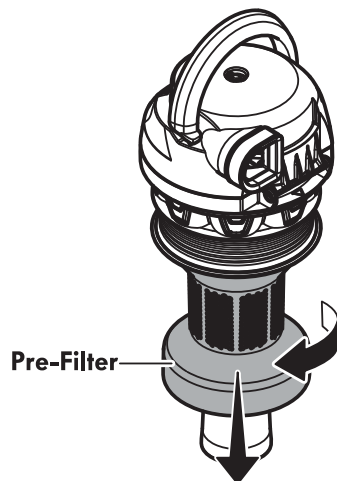
NOTE: Make sure dust cup is free of debris before opening.

2. Rotate dust cup lid assembly counterclockwise as indicated on the lid and lift off.



3. Grasp pre-filter and rotate as shown to remove.

4. Clean pre-filter by gently tapping over a trash container. Tap on several sides to ensure best cleaning.

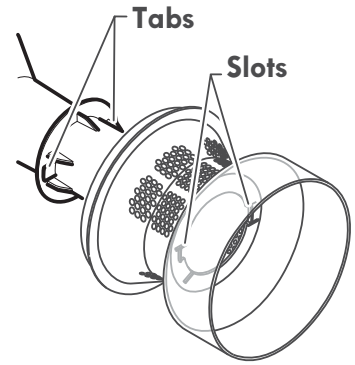


If necessary, rinse with cold water only, **DO NOT** use detergent or soap. Allow parts to dry 24 hours before putting back into vacuum cleaner.

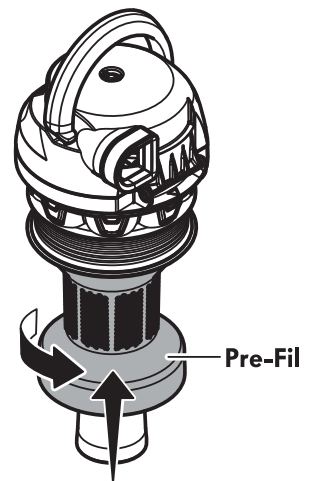
DO NOT wash in the dishwasher.
DO NOT install damp.

To Reinstall:

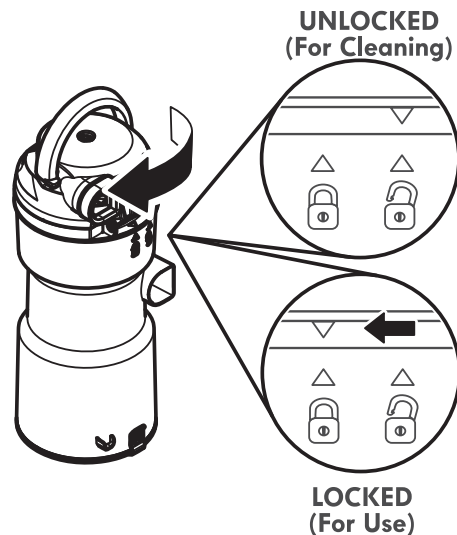
1. Align the slots on the pre-filter with the alignment tabs inside dust cup lid assembly.



2. Rotate pre-filter as shown to lock in place.



3. Replace the lower portion of the dust cup by aligning marks as shown, **UNLOCKED (For Cleaning)**.



4. Rotate while pressing downward until marks align as shown above in **LOCKED (For Use)**.

5. Reinstall the dust cup. See **EMPTYING DUST CUP** (page 14).

PRIMARY FILTER CLEANING

The primary filter is located inside the dust cup lid.

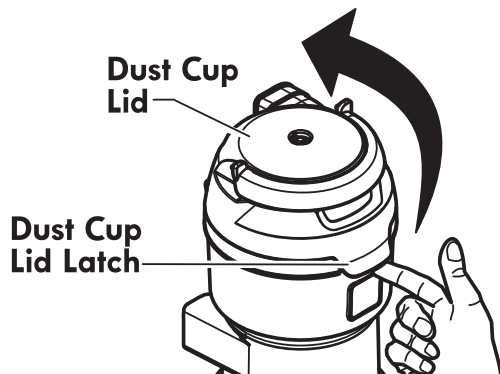


It is recommended to clean the primary filter with cold water at least once a month. Check the primary filter frequently and clean when dirty.

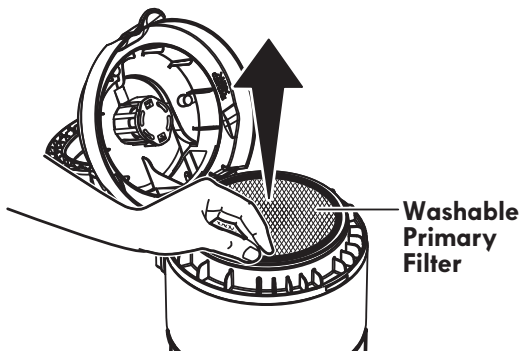
NOTE: When the cleaning of the filter no longer restores vacuum cleaner suction to full power, replace the filter.

1. Remove the dust cup as outlined in the **EMPTYING DUST CUP** (page 14).

2. Pull the dust cup lid latch and open the lid.



3. Remove the primary filter.

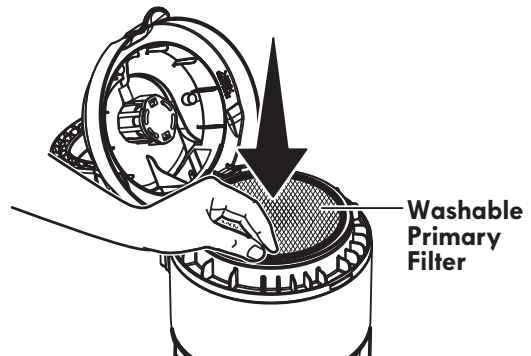


4. Wash with cold water only, **DO NOT** use detergent or soap. squeeze by hand and allow to air dry. Allow parts to dry 24 hours before putting back into vacuum cleaner.

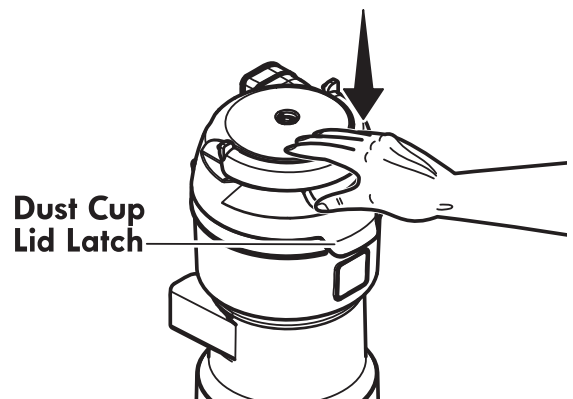
DO NOT operate without primary filter installed. **DO NOT** wash in the dishwasher. **DO NOT** install primary filter if damp.

To Reinstall:

1. Place the primary filter into the dust cup lid.



2. Close the dust cup lid. Be sure the lid snaps in place. A noticeable "click" should be heard.



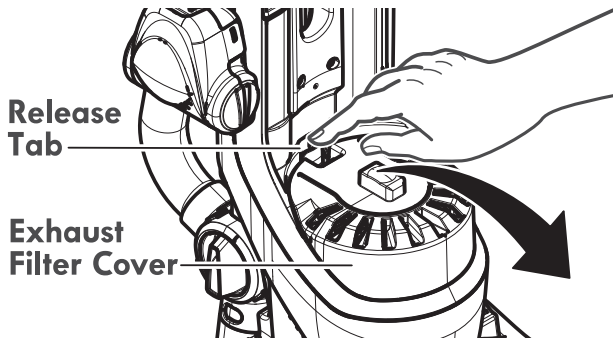
3. Reinstall the dust cup. **EMPTYING DUST CUP** (page 14).

HEPA MEDIA EXHAUST FILTER

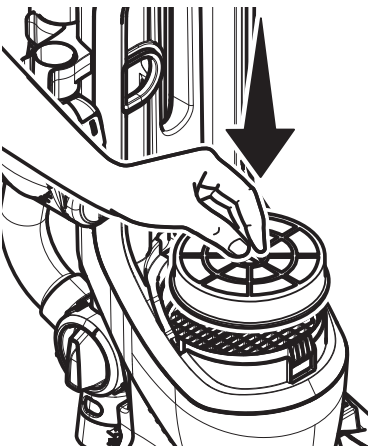
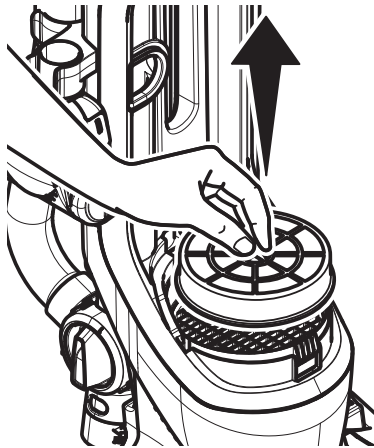
EXHAUST FILTER

The exhaust filter must be replaced when it becomes dirty. The timing between replacement intervals will depend on the use conditions the vacuum cleaner is exposed to. The filter should be checked when emptying the dust cup. The filter **CANNOT** be washed as it will lose its dust trapping ability.

1. Remove exhaust filter cover by pulling the release tab on the cover and rotating out from vacuum cleaner.

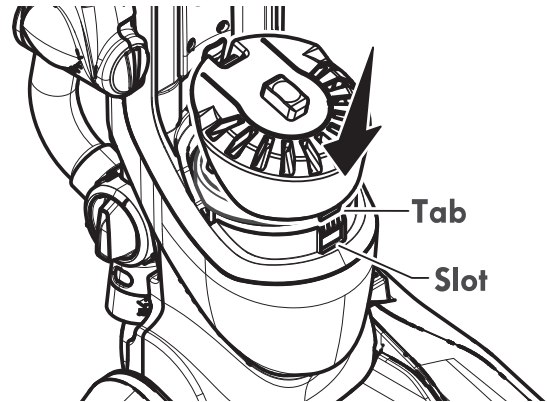


2. Remove the HEPA Media exhaust filter from vacuum cleaner.

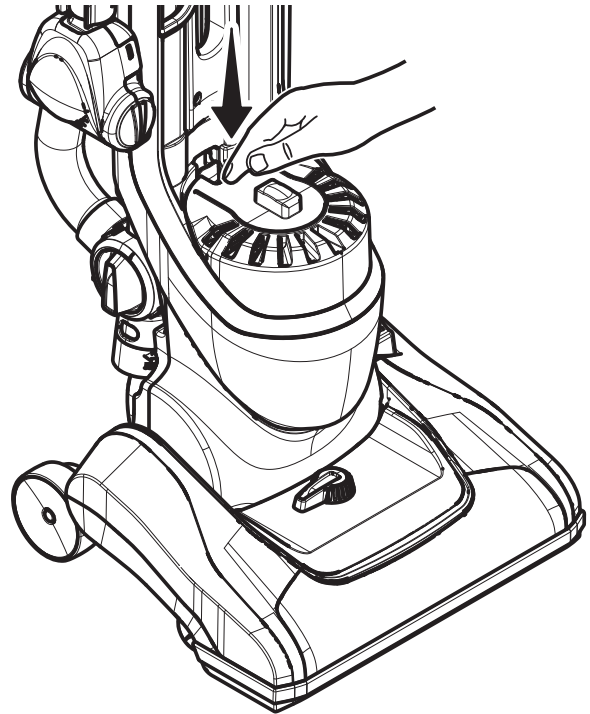


3. Place new filter cartridge into vacuum cleaner as shown.

4. Replace the exhaust filter cover by placing bottom tab into the slot.



5. Rotate filter cover onto vacuum cleaner, and press down as shown, until cover snaps into place.



BELT CHANGING

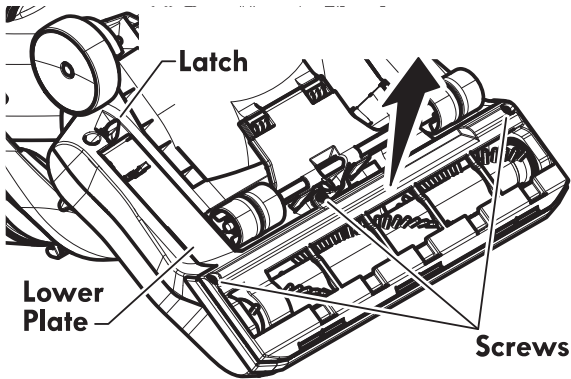


WARNING

Always unplug power cord from electrical outlet before performing maintenance to the vacuum cleaner.

Replace belt whenever a burning rubber smell caused by excessive slippage occurs.

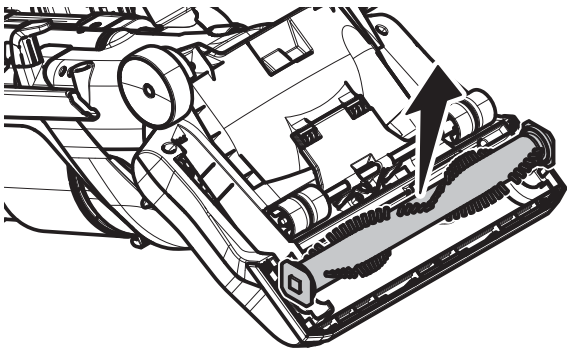
1. Lay vacuum cleaner on floor with the bottom up and nozzle flat.
2. Remove three (3) screws from the lower plate.
3. Release lower plate by pressing the latch. Lift off lower plate.



CAUTION

Motor shaft may be hot

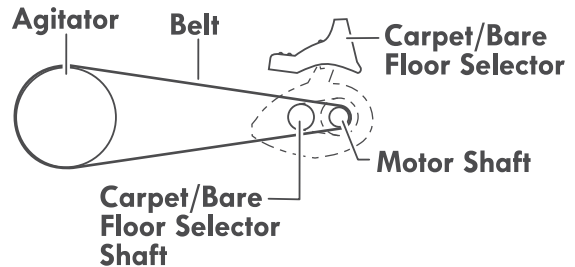
4. Remove agitator by carefully lifting out.



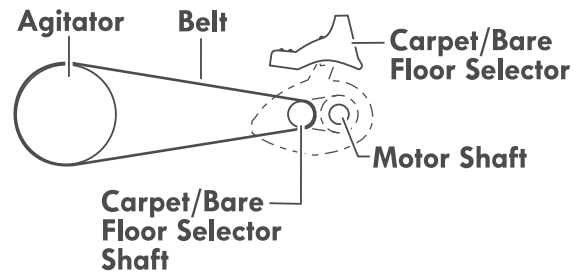
5. Remove worn or broken belt.
6. Clean agitator (see **AGITATOR, CLEANING** page. 19).

7. Loop new belt around motor shaft and agitator.

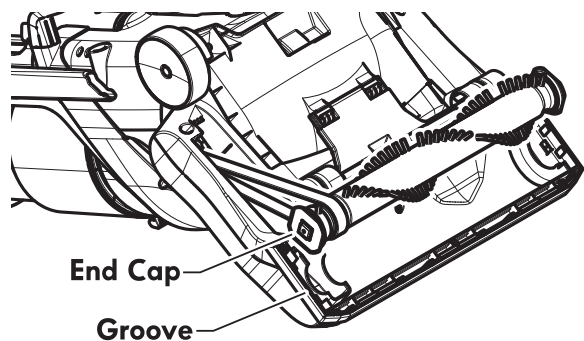
Correct Routing of Belt (Belt on Motor Shaft)



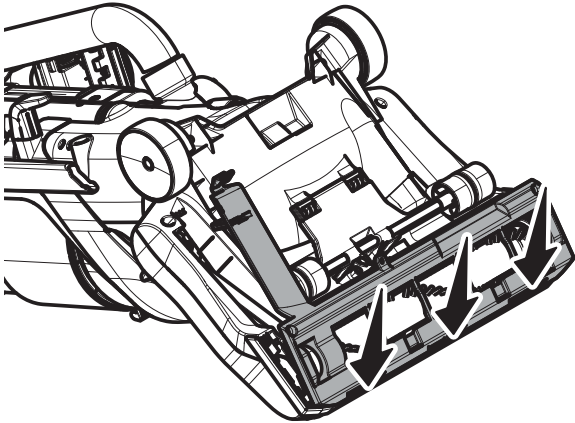
Incorrect Routing of Belt (Belt on Selector Shaft)



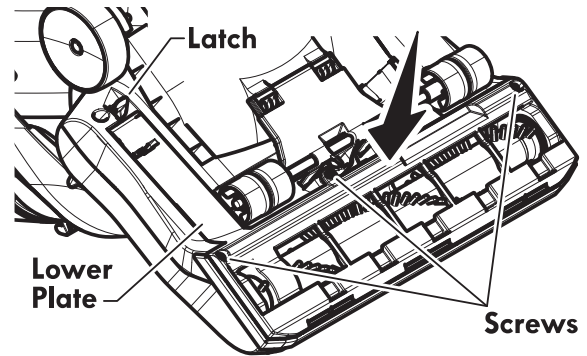
8. Reinstall agitator back into nozzle by placing end caps into grooves.



9. Reinstall lower plate by aligning tabs on front edge of lower plate with slots in the nozzle and rotating to installed position.



10. Press lower plate onto nozzle and snap the latch into place. Reinstall three (3) screws into the lower plate.



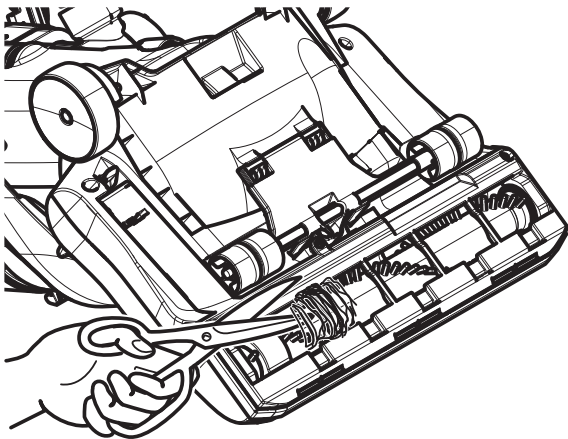
CAUTION

Do not overtighten. Overtightening could strip the screw holes.

AGITATOR CLEANING

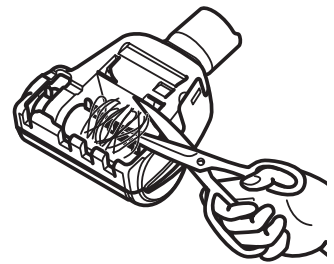
NOZZLE

To maintain efficient cleaning, the agitator must be kept free of carpet fiber, string, or hair build-up. After every 7 to 10 uses, unplug and turn vacuum cleaner over and check agitator for fiber and hair build-up. Use scissors to remove any build-up entangled around the agitator.



PET HANDIMATE

Cut off any carpet pile and lint entangled around agitator with a pair of scissors.



CAUTION

To reduce the risk of injury from moving parts, remove Pet HandiMate from vacuum hose or wand before servicing.

REMOVING CLOGS

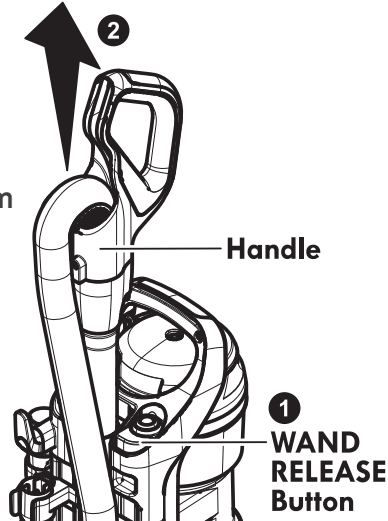
TO REMOVE CLOG FROM HOSE

Frequently check air path to make sure it is free of obstructions

1. Press WAND RELEASE button.

2. Pull up to release wand.

3. Lift wand from vacuum cleaner



4. Plug in the vacuum cleaner and turn it on.

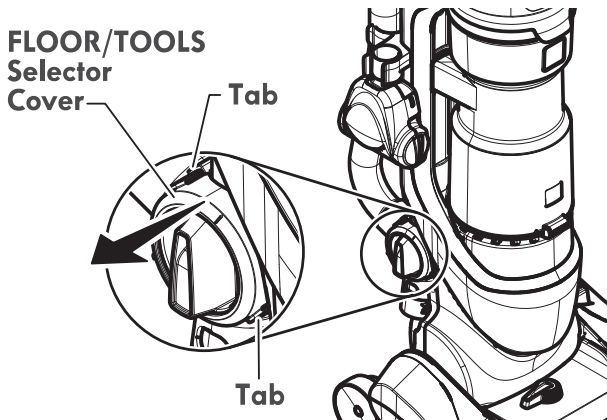
5. Stretch the extension hose to maximum length and then allow the hose to return to its natural length.

6. Reinstall hose and wand onto vacuum cleaner. See **ASSEMBLY** (pages 6).

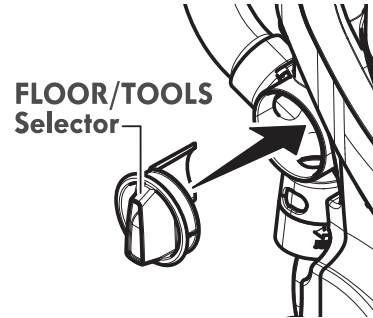
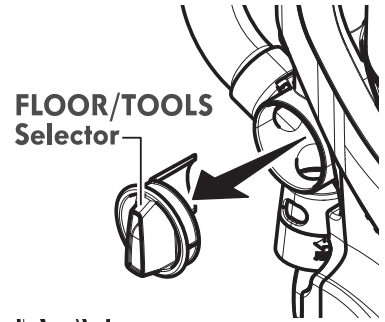
TO REMOVE CLOG FROM FLOOR/TOOL SELECTOR

Frequently check FLOOR/TOOLS selector to make sure it is free of obstructions.

1. Press tabs on FLOOR/TOOLS selector cover and remove.

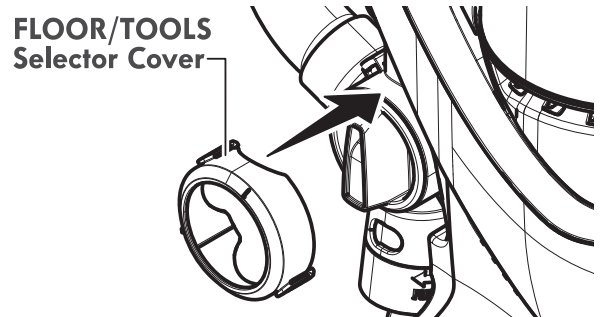


2. Remove FLOOR/TOOLS selector and clean any debris or clogs located in valve area.



3. Reinstall FLOOR/TOOLS selector as shown.

3. Reinstall FLOOR/TOOLS selector cover. Make sure tabs snap into place. A noticeable click should be heard.

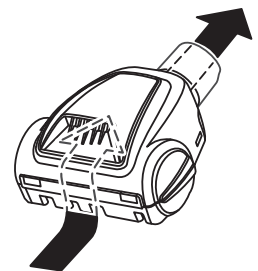


TO REMOVE CLOG FROM PET HANDIMATE

CAUTION

To reduce the risk of injury from moving parts, remove Pet HandiMate from vacuum hose or wand before servicing.

Frequently check air path to make sure it is free of obstruction. Remove any clogs or residue in air path.



TROUBLESHOOTING

Review this table to find do-it-yourself solutions for minor performance problems. Any service needed, other than maintenance described in this Use & Care Guide, should be performed by a qualified service agent.



WARNING

Disconnect electrical supply before performing maintenance to the vacuum cleaner. Failure to do so could result in electrical shock or personal injury.

PROBLEM	POSSIBLE CAUSE	POSSIBLE SOLUTION
Vacuum cleaner won't run.	<ol style="list-style-type: none"> 1. Unplugged at wall outlet. 2. Tripped circuit breaker or blown fuse. 3. Thermal protector tripped. 4. Defective wall outlet. 	<ol style="list-style-type: none"> 1. Plug in firmly, press the ON/OFF switch. 2. Reset circuit breaker or replace fuse. 3. Allow vacuum cleaner to cool 50 minutes. (Page 12) 4. Check with a good appliance or lamp. Have outlet properly serviced.
Poor job of dirt pick-up.	<ol style="list-style-type: none"> 1. Full or clogged dust cup. 2. Wrong floor setting. 3. Worn agitator. 4. Worn or broken Belt. 5. Clogged nozzle, hose, or wand 6. Hole in hose. 7. Hose not inserted fully. 8. Motor protection system activated. 9. Dirty filters. 	<ol style="list-style-type: none"> 1. Empty dust cup. (Page 14) 2. Adjust setting. (Page 10) 3. Replace agitator. 4. Replace belt. (Page 18-19) 5. Check for and remove any clogs in nozzle, hose, and wand. 6. Replace hose. 7. Insert hose fully. (Page 6) 8. Check for clogs in hose. 9. Clean pre-filter (page 15), primary filter (page 16) or replace HEPA Media Exhaust filter (page 17).
Agitator does not turn.	<ol style="list-style-type: none"> 1. Worn or broken Belt. 2. Belt not routed correctly. 3. CARPET/BARE FLOOR selector in BARE FLOOR position. 	<ol style="list-style-type: none"> 1. Replace belt. (Page 18-19) 2. Check belt routing. (Page 18) 3. Move selector to CARPET position. (Page 9)
Airflow restricted with attachment use; sound changes.	<ol style="list-style-type: none"> 1. Attachment use restricts air flow. 2. New carpet fuzz clogged air path. 	<ol style="list-style-type: none"> 1. Check attachments for fuzz, lint, pet hair or other debris. 2. Check for and remove any clogs and clean hose.

PROBLEM	POSSIBLE CAUSE	POSSIBLE SOLUTION
<p>Pet HandiMate will not run when attached.</p>	<ol style="list-style-type: none"> 1. Carpet pile entangled around agitator. 2. Worn or broken belt. 	<ol style="list-style-type: none"> 1. Clean agitator. (Page 19) 2. Not a serviceable item, replace Pet HandiMate.
<p>Pet HandiMate: Poor job of dirt pick-up.</p>	<ol style="list-style-type: none"> 1. Carpet pile entangled around agitator. 2. Worn or broken belt. 3. Problem with vacuum cleaner. 4. Open suction control. 5. Hole in vacuum hose. 	<ol style="list-style-type: none"> 1. Clean agitator. (Page 19) 2. Not a serviceable item, replace Pet HandiMate. 3. Check vacuum cleaner troubleshooting tips. 4. Close suction control. (Page 11) 5. Replace hose. Refer to the Repair Parts List for hose purchasing information.



TABLA DE CONTENIDO

Antes de usar su aspiradora nueva	1
Lista de embalaje	1
Garantía de la aspiradora de Kenmore.....	2
Instrucciones importantes de seguridad	3
Piezas y características de la aspiradora	4
Instrucciones de ensamble.....	5-6
Instrucciones de operación	7-10
Características de rendimiento/seguridad	11-12
Cuidado de la aspiradora	12-19
Reconocimiento de problemas.....	20-21
Información de asistencia o servicio.....	Back page

BEFORE USING YOUR NEW VACUUM CLEANER

Por favor lea esta guía que le ayudara a ensamblar y operar su aspiradora nueva de Kenmore en una manera más segura y efectiva.

Para mas información acerca del cuidado y operación de esta aspiradora, llame a la Línea de Ayuda de Aspiradoras ai 1-877-531-7321. Cuando pregunte por información usted necesitará el número completo de serie y modelo de la aspiradora que está localizado en la placa de los números de modelo y serie.

Use el espacio de abajo para registrar el número de modelo y serie para su nueva aspiradora de Kenmore.

Número de Modelo: _____

Número de Serie: _____

Fecha de Compra: _____

Mantenga este libro y su recibo en un lugar seguro para futuras referencias.

LISTA DE EMBALAJE

Su ASPIRADOR KENMORE se empaca con las siguientes piezas y componentes por separado:

- | | |
|---------------------------------|---------------------------|
| 1 Aspiradora | 1 Pet HandiMate |
| 1 Herramienta para hendiduras | 1 Tubo |
| 1 Cepillo para sacudir | 1 Manual de uso y cuidado |
| 1 Ensamble de manguera y manija | |

Garantía limitada de Kenmore

DURANTE un año a partir de la fecha de compra este producto está garantizado contra defectos de materiales o mano de obra cuando se es ensamblado correctamente, operado y mantenido según las instrucciones suministradas.

CON LA PRUEBA DE COMPRA, el aparato defectuoso será reemplazado sin costo.

Para los detalles de la cobertura de garantía, para obtener el reemplazo gratuito, visite la página web: www.kenmore.com/warranty.

Esta garantía no cubre filtros o correas, los cuales son partes gastables las cuales se deterioran con el uso normal en el periodo de garantía.

Esta garantía queda anulada si este producto se utiliza para otros propósitos que no sean de uso domésticos.

Esta garantía le otorga derechos legales específicos, y usted podría tener otros derechos que varían en función de cada estado.

Sears Brands Management Corporation, Hoffman Estates, IL 60179

INSTRUCCIONES IMPORTANTES DE SEGURIDAD

Lea todas las instrucciones en este manual antes de armar o usar su aspiradora.

ADVERTENCIA:

Su seguridad es muy importante para nosotros. Para reducir el riesgo de incendio, choque eléctrico, lesión corporal o daños al utilizar su aspiradora, actúe de acuerdo con las precauciones básicas de seguridad, entre ellas:

Use su aspiradora solamente como se describe en este manual. Use solamente con accesorios recomendados por Sears.

Desconecte la fuente de electricidad antes de hacer el servicio o limpiar el área del cepillo. La falta de hacer esto puede resultar en el súbito arranque del cepillo. Causando lesiones personales por partes en movimiento.

No deje la aspiradora cuando está enchufada. Desenchufe del tomacorriente cuando no está en uso y antes de hacer el servicio.

Para reducir el riesgo de choque eléctrico - No la use afuera o sobre superficies mojadas.

No permita que se la use como un juguete. Ponga especial atención cuando es usada por o cerca de niños.

No la use con un cordón o clavija dañados. Si la aspiradora no está trabajando como debe, se la ha dejado caer, dañado, dejada afuera, o volteada en el agua, lleve el aparato a un concesionario de servicio autorizado para que lo inspeccione y, en caso de ser necesario, repare.

No la jale o arrastre del cordón, use el cordón como una manija, cierre una puerta sobre el cordón, o tire del cordón alrededor de bordes afilados o esquinas. No pase la aspiradora sobre el cordón. Mantenga el cordón lejos de superficies calientes.

No desenchufe tirando del cordón. Para desenchufar, tome la clavija, no el cordón.

No tome la clavija o la aspiradora con las manos mojadas.

No ponga ningún objeto en las aberturas.

No la use con ninguna abertura bloqueada; manténgala libre de polvo, hilachas, pelo, y cualquier cosa que pueda reducir la circulación del aire.

Mantenga el pelo, ropas sueltas, dedos, y todas las partes del cuerpo lejos de aberturas y partes en movimiento.

Apague todos los controles antes de desenchufar.

Use cuidado extra cuando limpie escaleras.

No la ponga sobre sillas, mesas, etc. Manténgala sobre el piso.

No use la aspiradora para levantar líquidos inflamables o combustibles (gasolina, fluido de limpiar, perfumes, etc.), o la use en áreas donde puedan estar presentes. Los vapores de estas sustancias pueden crear un peligro de incendio o explosión.

No levante nada que esté ardiendo o echando humo, tal como cigarrillos, fósforos, o cenizas calientes.

No use la aspiradora sin el contenedor de polvo y/o filtros en su lugar.

Siempre cambie el contenedor de polvo después de limpiar la alfombra, limpiadores o refrescantes, polvos, y polvo fino. Estos productos obstruyen los filtros, reducen la circulación del aire y pueden causar daño a la aspiradora. La falla en limpiar el contenedor de polvo puede causar daño permanente a la aspiradora.

No use la aspiradora para levantar objetos duros afilados, pequeños juguetes, alfileres, sujetapapeles, etc. Ellos pueden dañar la aspiradora o el contenedor de polvo.

Desenchufe antes de conectar el Pet HandiMate

Usted es responsable de estar seguro de que su aspiradora no es usada por alguien incapaz de operarla correctamente.

ADVERTENCIA:

Este producto contiene un químico conocido en el estado de California que causa cáncer y defectos de nacimiento u otros daños para la fertilidad.

GUARDE ESTAS INSTRUCCIONES

El armado y uso seguro de su aspiradora son su responsabilidad. Esta aspiradora ha sido diseñada exclusivamente para uso doméstico. La aspiradora deberá almacenarse en un lugar seco y en el interior. Lea este Manual de Uso y Cuidado detenidamente, pues contiene información importante sobre seguridad y uso. Esta guía contiene información sobre seguridad debajo de símbolos de advertencia cuidado.

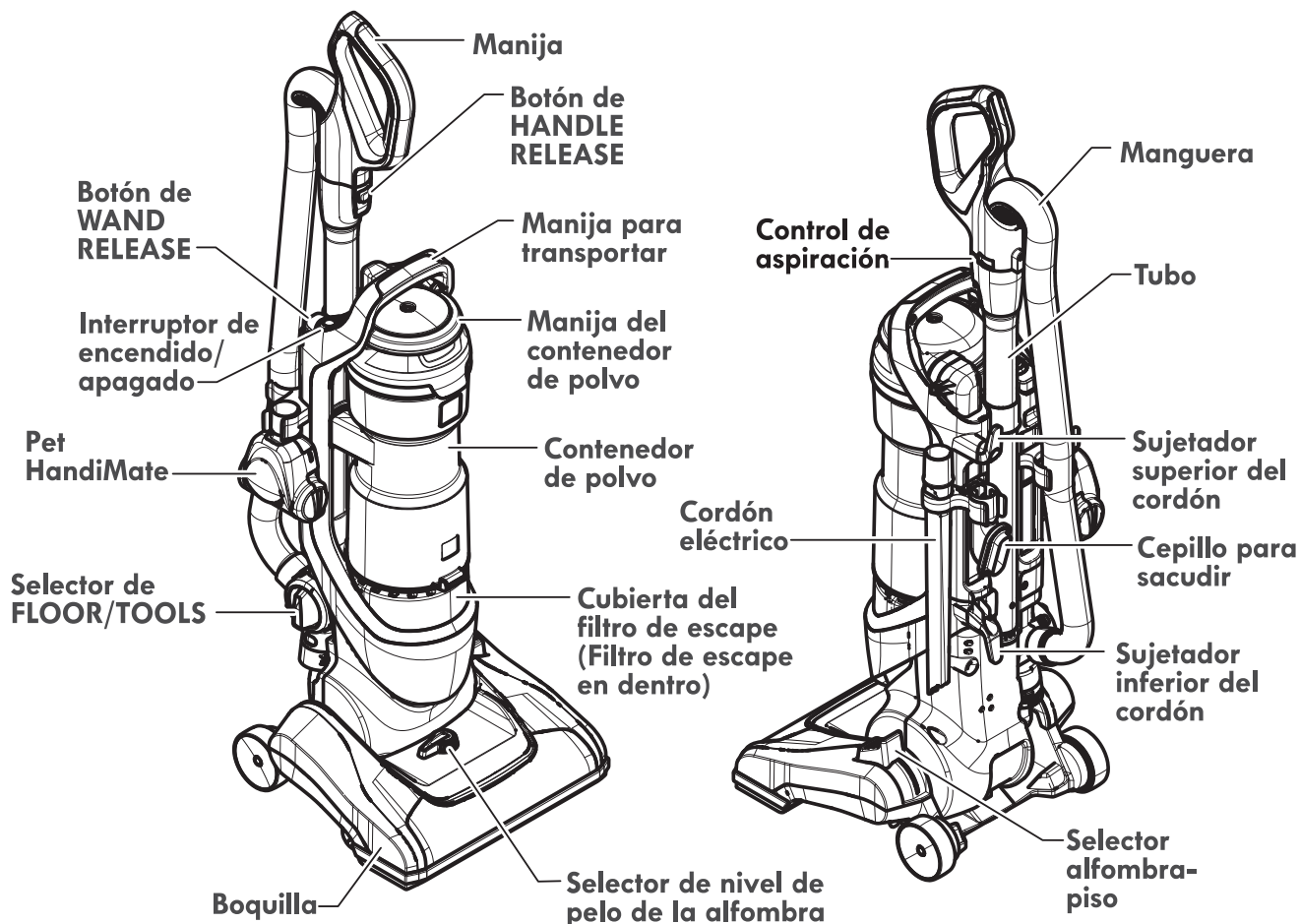
PIEZAS Y CARACTERÍSTICAS

Es importante conocer las piezas y características de su aspiradora para asegurar su uso adecuado y seguro. Examínelas antes de usar su aspiradora.

PARTES DE REEMPLAZO

Parte	Pieza No.
Filtro de escape	20-60102*
Filtro primario	KC44KDMTZ000
Correa	20-5275
Para ordenar filtros de reemplazo llamando al 1-844-553-6667 or visitar www.searspar tsdirect.com	
* Disponible en la página www.sears.com	

NOTA: Ilustraciones detalladas y lista de todas las partes de la aspiradora están disponibles en searspartsdirect.com



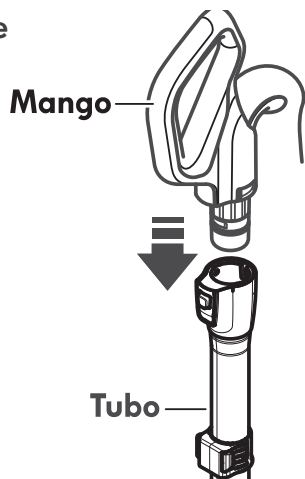


Por favor ponga atención especial a los cuadros que le alertaran de posibles peligros
Advertencia: Esta información le alertará de peligro de fuego, choques eléctricos, quemaduras y lesiones. **Cuidado:** Esta información le alertará de peligros como lesiones y daños de propiedad.

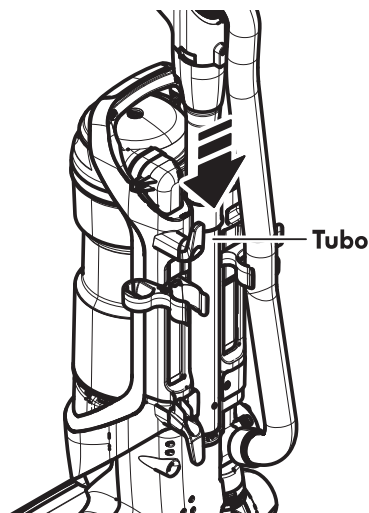
INSTRUCCIONES DE ENSAMBLE

Antes de armar la aspiradora, revise la **LISTA DE EMBALAJE**. (Pag. 1) Use esta lista para verificar que ha recibido todos los componentes de su nueva aspiradora Kenmore.

1. Inserte el manija de la manguera en el cuerpo de la aspiradora hasta que el manija encaje en su lugar.



2. Inserte el tubo en la aspiradora hasta que el tubo encaje en su lugar.

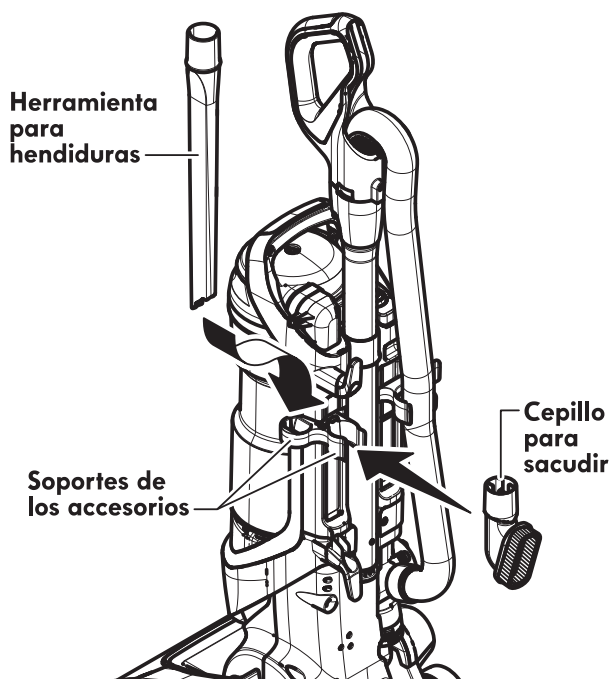


3. Inserte la manguera en la abrazadera de manguera hasta que la manguera encaje en su lugar.

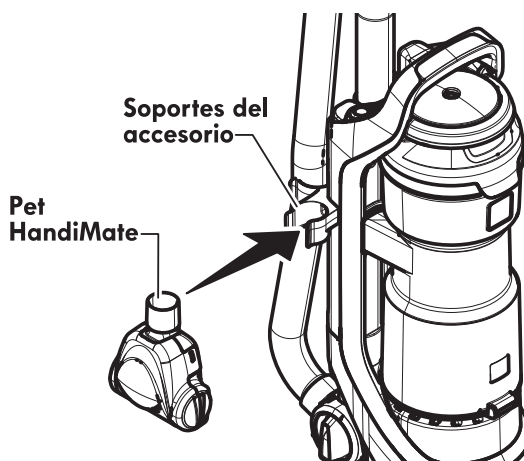


ACCESORIOS

Inserte el cepillo de sacudir y la herramienta para hendiduras en los soportes de los accesorios como se muestra.



Inserte el Pet HandiMate en los soporte de los accesorio como se muestra.



CORDÓN ELÉCTRICO - ENROLLADO

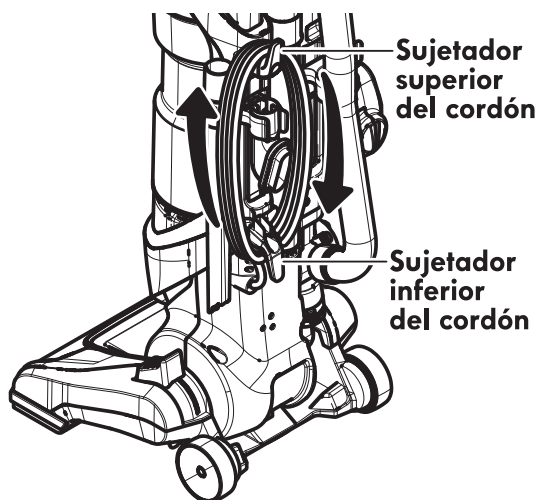


ADVERTENCIA

Choque eléctrico y Peligro de daños personales

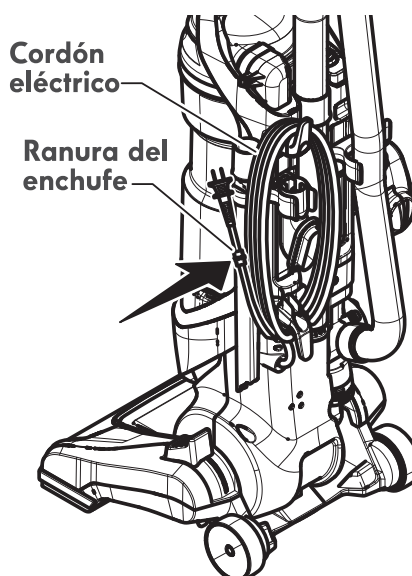
Enrollar el cordón muy apretado pone estrés en el cordón y puede causar que este se dañe. Un cordón dañado es un peligro de choque eléctrico y puede causar daños personales.

1. Asegúrese de que el sujetador superior del cordón de liberación rápida se encuentre en posición hacia arriba.



2. Enrolle el cordón eléctrico alrededor del sujetadores de liberación rápida del cordón.

3. Presione la ranura del enchufe sobre el cordón.

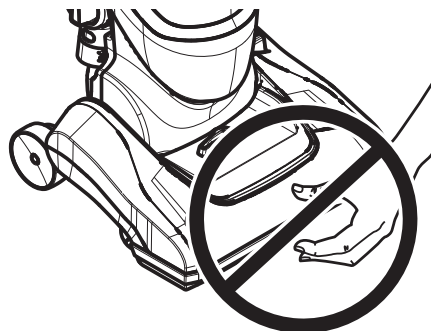


INSTRUCCIONES DE OPERACIÓN

! CUIDADO

¡Partes en movimiento! Para reducir el riesgo de daños corporales, no toque el agitador cuando la aspiradora está encendida. El tocar el agitador mientras que está girando puede cortar, contusionar o causar otras lesiones. Siempre desconecte del tomacorriente antes de dar mantenimiento.

Tenga cuidado al aspirar cerca de niños.



CORDÓN ELÉCTRICO - LIBERACIÓN Y USO

1. Gire el sujetador del cordón hacia abajo para liberar el cordón eléctrico.

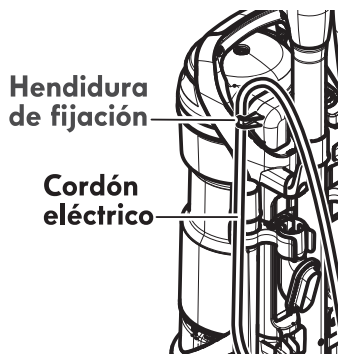


! ADVERTENCIA

- Para reducir el riesgo de choque eléctrico, esta aspiradora cuenta con una clavija polarizada (uno de los contactos es más ancho que el otro).
- La clavija sólo puede introducirse de una manera en el enchufe. Si la clavija no cabe bien en el enchufe, invírtala. Si aún no cabe, llame a un electricista para que instale un enchufe correcto. No altere la clavija de ninguna manera.

2. Desprenda el enchufe del cordón eléctrico y quite el sujetador del cordón.

3. Esté seguro de que el cordón eléctrico se mantiene fijo en la hendidura de fijación. Esto ayudará a administrar el cable cuando opere la aspiradora.



4. Conecte el cordón eléctrico polarizado en un enchufe de 120 voltios que se encuentre cerca del piso.

! ADVERTENCIA

Peligro de lesión personal y daño al producto

Cuando alguna anomalía/desperfecto ocurra, pare de usar el producto inmediatamente y desconéctelo del toma corriente.

NO use los enchufes localizados sobre los muebles. Los objetos cercanos podrían resultar dañados.

5. Para guardar el cordón, gire el sujetador del cordón hacia arriba y enredarlo el cordón alrededor del sujetadores del cordón.

! ADVERTENCIA

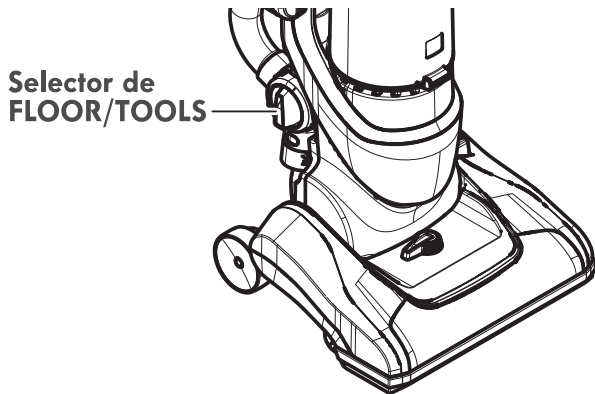
Choque eléctrico y Peligro de daños personales

Enrollar el cordón muy apretado pone estrés en el cordón y puede causar que este se dañe. Un cordón dañado es un peligro de choque eléctrico y puede causar daños personales.

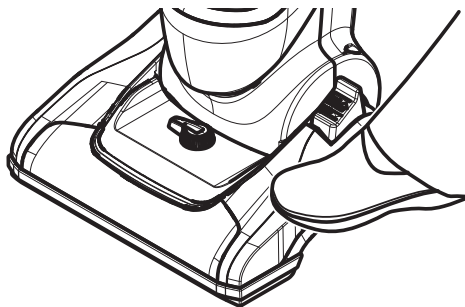
MODALIDADES DE OPERACIÓN

MODALIDAD VERTICAL

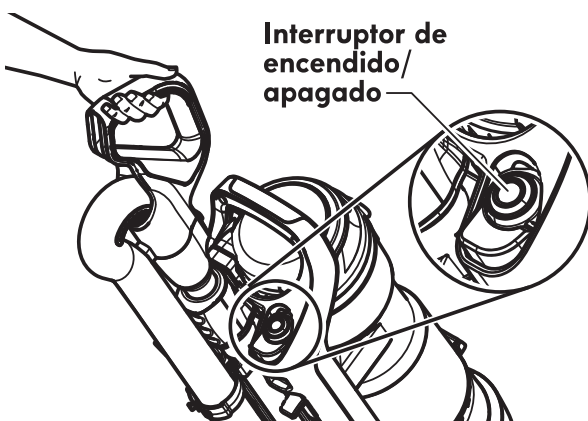
1. Al limpiar pisos con la aspiradora, verifique que el selector **FLOOR/TOOLS** está en la posición **FLOOR**.



2. Coloque su pie izquierdo en la boquilla de la aspiradora. Jale hacia atrás el manija para desenganchar el manija.



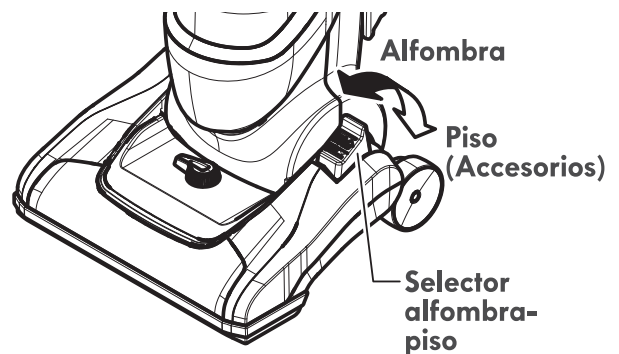
3. Para encender o apagar la aspiradora, presionar la interruptor de encendido/apagado.



SELECTOR ALFOMBRA-PISO

Se debe colocar el selector en la posición para **BARE FLOOR (TOOLS)** cuando pasa la aspiradora en los suelos sin alfombra y cuando se usan las herramientas. El agitador no rueda en la posición para **BARE FLOOR (TOOLS)**.

Se debe colocar el selector en la posición para **CARPET** cuando pasa la aspiradora en los suelos con alfombra.

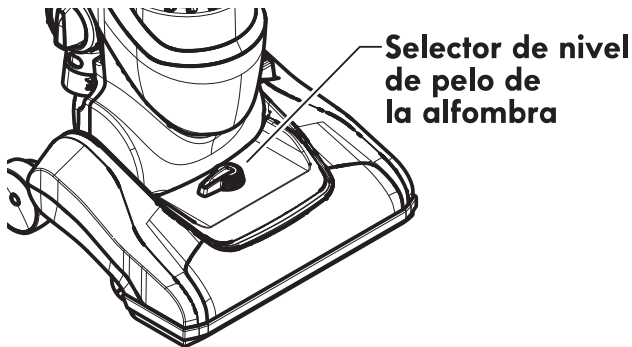


! CUIDADO

La selección incorrecta podría dañar el piso.

SELECCIÓN DE NIVEL DE PELO DE LA ALFOMBRA

Seleccione una altura del pelo de la alfombra girando el selector de nivel de pelo de la alfombra situado en la boquilla.



SUGERENCIAS SOBRE EL AJUSTE DE NIVEL DE PELO DE LA ALFOMBRA

Atención: Refiérase a las recomendaciones del fabricante para limpiar su alfombra. Algunas alfombras más delicadas pueden requerir el uso de la aspiradora con el agitador desconectado para prevenir que la alfombra sea dañada.

Hay cuatro (4) ajustes de nivel. Use el ajuste **LO** (bajo) para obtener la mejor limpieza a fondo. Por otra parte, quizás se requiera elevar el nivel para facilitar algunas tareas, como por ejemplo cuando se trata de tapetes y algunas alfombras de pelo largo, y para impedir que la aspiradora se apague.

Se sugieren los siguientes ajustes:

HI – Pelo muy largo y suelto, tapetes, alfombras muy acojinadas.

MED HI – Pelo mediano a largo.

MED LO – Pelo corto a mediano.

LO – Most carpets; Bare floors (combined with Floor/Tools selector in Bare Floor position); Delicate carpets that require agitator to be turned off.

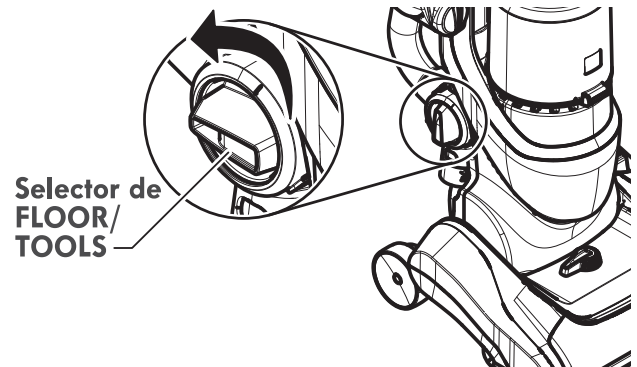


CUIDADO

No permita que la aspiradora este en un solo lugar durante ningún tiempo cuando el agitador está rotando. Se puede dañar la alfombra.

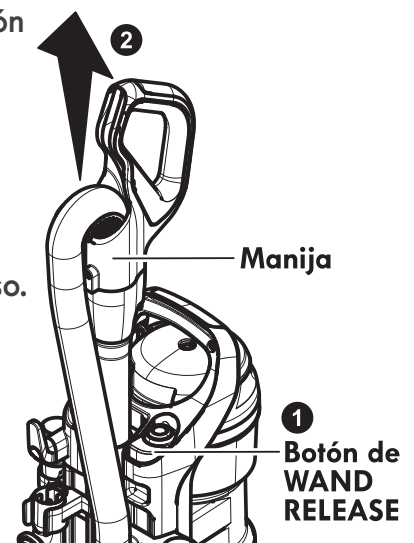
MODALIDAD ÁREAS FUERA DEL PISO

1. Al limpiar pisos con la aspiradora, verifique que el selector **FLOOR/TOOLS** está en la posición **TOOLS**.



2. Pulse el botón de **WAND RELEASE**.

3. Tire para liberar la extensión por encima de limpieza del piso.



4. Deslice el anillo de sujeción sobre el extremo abierto del tubo. Use los accesorios de acuerdo a como los necesite. Ver la tabla de **USO DE LOS ACCESORIOS**. (Pag. 11)

USANDO ACCESORIOS EN EL MANIJA

1. Colocar la aspiradora en posición vertical.

2. Retire la manija de la extensión pulsando el botón de HANDLE RELEASE.

3. Deslice el anillo de sujeción sobre el extremo abierto de la manija. Use los accesorios de acuerdo a como los necesite. Ver la tabla de USO DE LOS ACCESORIOS. (Pag. 11)



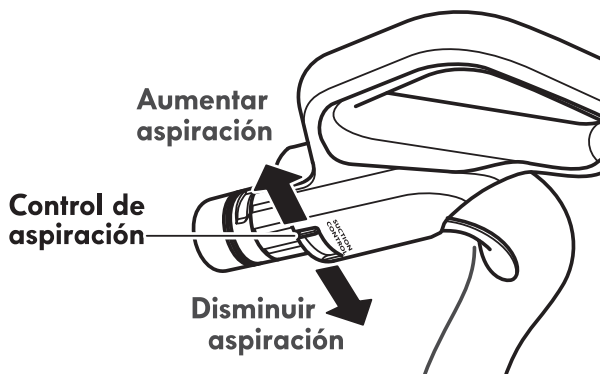
! CUIDADO

- Siempre regrese la aspiradora a la posición vertical antes de usar la manguera y los accesorios. La falla de este es el resultado del sobre calentamiento de los motores del agitador. Esto puede causar que el protector termal se active.
- Cuando use los accesorios, tenga cuidado de no estirar demasiado la manguera expansible para tratar de alcanzar más lejos. Si trata de estirar la manguera más de lo debido, podría causar que la aspiradora se venga abajo.
- NO tire de la aspiradora por la manguera en la habitación. Podrían ocurrir daños a sus pertenencias.

ACCESORIOS

CONTROL DE ASPIRACIÓN

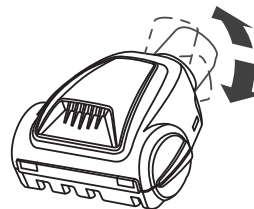
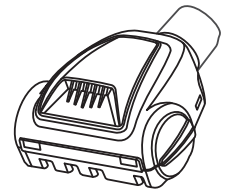
El control de aspiración le permite cambiar la potencia de aspiración de la aspiradora dependiendo del grosor de la tela o alfombra.



- Abriendo el control reduce la aspiración para cortinas y alfombras ligeros.
- Cerrando el control aumenta la aspiración para tapicería y alfombras.




PET HANDIMATE

Junte la manguera o el tubo al Pet HandiMate y apriete con firmeza.



Pet HandiMate gira y pivotea para una limpieza más conveniente.

USO DE LOS ACCESORIOS

ACCESORIO	ÁREA A LIMPIAR					Pisos
	Entre Muebles*	Cojines*	Cortinas*	Escalones		
				Alfombra	Duros	
HERRAMIENTA PARA HENDIDURAS 	✓	✓		✓	✓	
CEPILLO PARA SACUDIR 	✓		✓	✓	✓	
PET HANDIMATE 	✓			✓		

* Siempre limpie los accesorios antes de usar sobre telas.

CARACTERÍSTICAS DE RENDIMIENTO/SEGURIDAD

SISTEMA DE PROTECCIÓN DE MOTOR

PROTECTOR TERMAL

Esta aspiradora tiene un protector termal que se ajusta automáticamente para proteger a la aspiradora del sobrecalentamiento. Si una obstrucción impide el flujo normal de aire al motor, el protector termal apaga el motor automáticamente para permitir que el motor se enfríe a fin de evitar posibles daños a la aspiradora.

Para corregir el problema: Si esto ocurre, apague la aspiradora y desenchufe el cordón del tomacorriente para permitir que la aspiradora se enfríe y que el protector termal se reajuste.

Busque y saque las obstrucciones y vacíe el contenedor de polvo, si es necesario. Examine también y reemplace cualquier filtro obstruido. Espere aproximadamente 50 minutos y enchufe la aspiradora y prenderla para ver si el Válvula de paso se ha reajustado.

VÁLVULA DE ESCAPE

Esta aspiradora contiene una válvula de paso de aire que sirve como Válvula de paso y cuando un bloqueo impida que circule el aire al motor se abre automáticamente para proveer un flujo de aire fresco al motor. Así esta válvula impide el sobre calentamiento del motor y como consecuencia que esta se dañe. Usted podrá notar un sonido diferente al normal cuando esta válvula se activa y el aire pasa por ella.

Para corregir el problema: Vacíe el contenedor de polvo y limpie el fitro primario y pre-filtro. Si se usa algún accesorio ajuste este para tener un mayor flujo de aire.

Nota: La válvula de desviación puede estar abierta mientras se usan los accesorios o para limpiar una alfombra nueva a causa de un flujo reducido de aire por los accesorios mismos o por la pelusa de la alfombra que llene contenedor de polvo rapidamente.

Nota: No obstruya el válvula de paso.



CUIDADO DE LA ASPIRADORA

Siga siempre todas las instrucciones de seguridad antes de efectuar el mantenimiento a su aspiradora.



ADVERTENCIA

Peligro de choque eléctrico o lesión corporal

Desconecte la unidad antes de efectuar el mantenimiento a su aspiradora. De lo contrario podría producirse un choque eléctrico o causar lesión corporal si la aspiradora arranca de manera imprevista.

LIMPIEZA DEL EXTERIOR Y DE LOS ACCESORIOS

1. Desconecte el cordón eléctrico de la clavija de la pared. **NO** rocíe agua sobre la aspiradora.

2. Para limpiar el exterior o reducir la electricidad estática y acumulación de polvo, limpie la superficie exterior de la aspiradora y los accesorios, usando un trapo suave y limpio, mójelo en una solución de agua y detergente líquido, y exprímalo. Séquela después de limpiar.

Lave el cepillo para combinación y la herramienta para hendiduras en agua tibia jabonosa, enjuague y deje secar al aire. **No** los lave en lavadora de platos.



CUIDADO

No use los accesorios si están mojados.

Los accesorios que se utilicen en áreas sucias, debajo del refrigerador, no deben usarse en otras superficies sin antes ser lavados. Podrían dejar marcas.

ALMACENAMIENTO DE LA ASPIRADORA

Reemplace la manguera y el tubo si es necesario (ver página 5 & 6).

Recoja el cordón y enrollarlo en los sujetadores superior e inferior, sin que quede muy apretado. Asegure la ranura del enchufe sobre el cordón de poder (ver página 6).

Guarde la aspiradora bajo techo en un lugar seco, con el manija en posición vertical.



ADVERTENCIA

Choque eléctrico y Peligro de daños personales

Enrollar el cordón muy apretado pone estrés en el cordón y puede causar que este se dañe. Un cordón dañado es un peligro de choque eléctrico y puede causar daños personales.

VACIAR EL CONTENEDOR DE POLVO



ADVERTENCIA

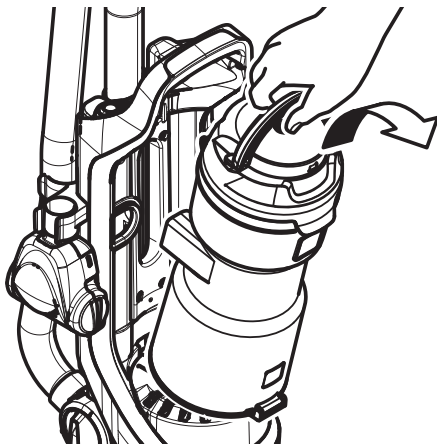
Siempre desconecte el cordón eléctrico antes de reparar alguna parte de la aspiradora.

PARA REMOVER EL CONTENEDOR DE POLVO

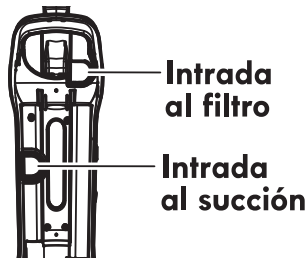
1. Levante la manija ubicada al tope del contenedor de polvo.



2. Tire la manija hacia arriba y levante el contenedor de polvo y afuera de la aspiradora.



3. Remueva cualquier obstáculo que pudiera estar ubicado en la entrada de succión o área de entrada al filtro.



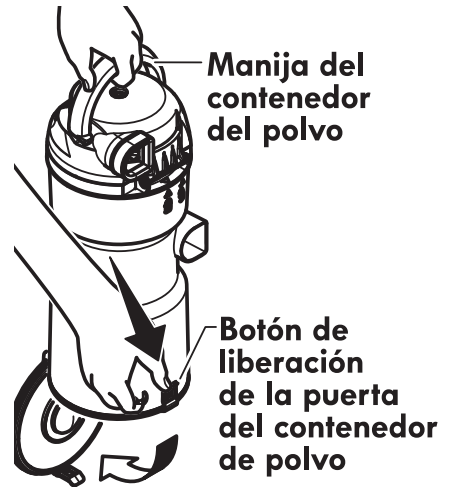
PARA VACIAR EL CONTENEDOR DE POLVO

1. Gire la manija del cubo de la basura a la posición vertical.

2. Sostenga el canasto de polvo sobre un recipiente de basura.

3. Presionar hacia abajo el botón de liberación de la puerta que se encuentra en el contenedor de polvo, para liberar la puerta.

La puerta girará abierta y el desecho caerá adentro del recipiente de basura.



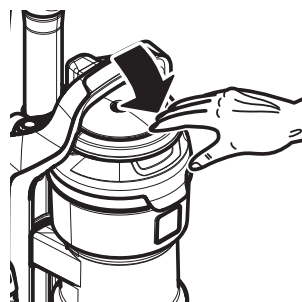
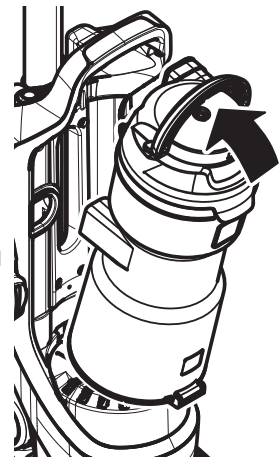
4. Sacuda el canasto del polvo para soltar cualquier desecho que pueda colgar en el elemento del filtro.



5. Después de basear el contenedor de polvo, cierre la puerta firmemente. Asegúrese de oír un "clic" esto indicará que la puerta está completamente cerrada.

PARA REINSTALAR EL CONTENEDOR DE POLVO

1. Ponga el canasto del polvo de vuelta en la aspiradora insertando primero el fondo e inclinándolo hacia atrás con la manija del contenedor de polvo levantada.



2. Baje la manija del contenedor de polvo para trabar el contenedor en su lugar. Un "clic" fácil de notar será escuchado.

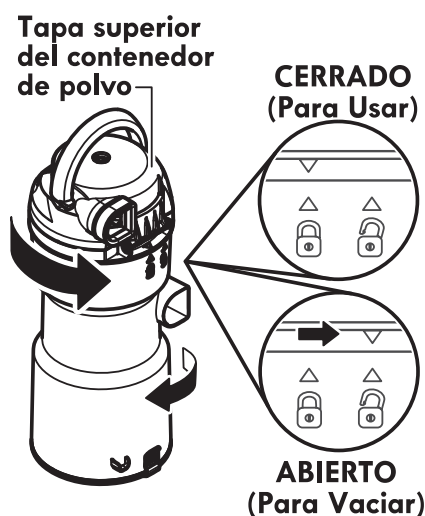
LIMPIEZA DEL PRE-FILTRO

El pre-filtro se encuentra dentro del contenedor de polvo. Inspeccione con frecuencia el pre-filtro y límpielo si está sucio

1. Retirar el contenedor de polvo. Vea **PARA REMOVER EL CONTENEDOR DE POLVO** (Pág 13).

NOTA: Vacíe el contenedor de polvo.

2. Rotar la tapa superior del contenedor de polvo hacia la izquierda (como esta indicado en la tapa), y levantarla.

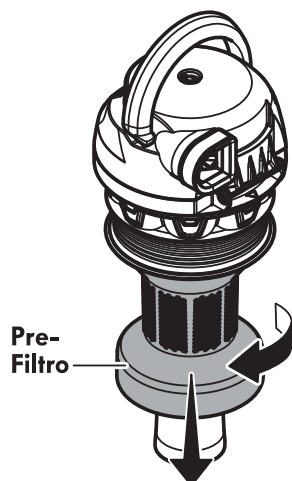


3. Tome el pre-filtro y girarlo como se muestra para removerlo.

4. Limpie el pre-filtro golpeándolo suavemente sobre un recipiente de basura.

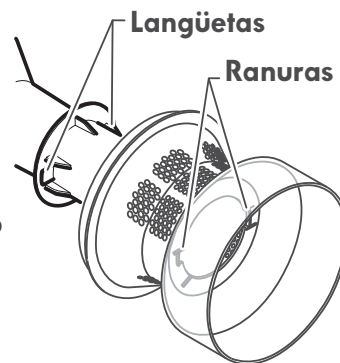
Enjuague con agua fría únicamente, **NO** use ningún detergente o jabón. Dejar que las partes sequen por lo menos 24 horas antes de ponerlas en la aspiradora.

NO lavarlas en la lavadora de trastes. **NO** las instale húmedas.

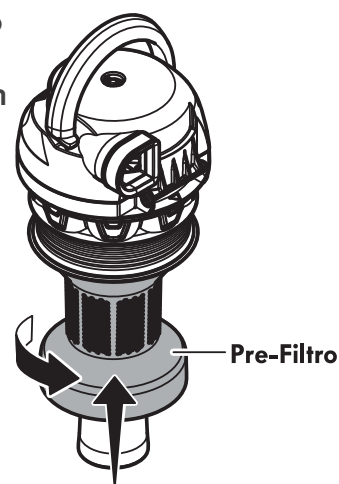


Para reinstalar:

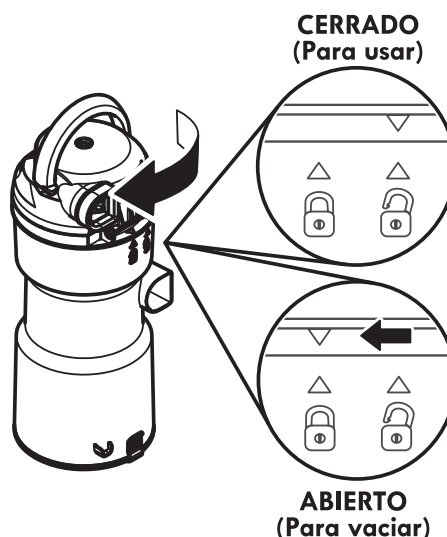
1. Alinee la ranura del pre-filtro con la lengüeta localizada dentro del contenedor de polvo.



2. Gire el pre-filtro como se muestra para asegurarlo en su lugar.



3. Vuelva a colocar la parte inferior del contenedor de polvo alineando las marcas como se muestra, UNLOCK (para limpieza).

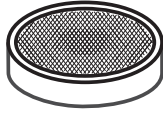


4. Gire mientras presiona hacia abajo hasta que las marcas queden alineadas como se muestra arriba en LOCKED (para su uso).

5. Vuelva a instalar el contenedor de polvo. (Vea **PARA REINSTALAR EL CONTENEDOR DE POLVO**, Pág. 13)

LIMPIEZA DEL FILTRO PRIMARIO

El filtro primario se encuentra dentro de la tapa del contenedor de basura.

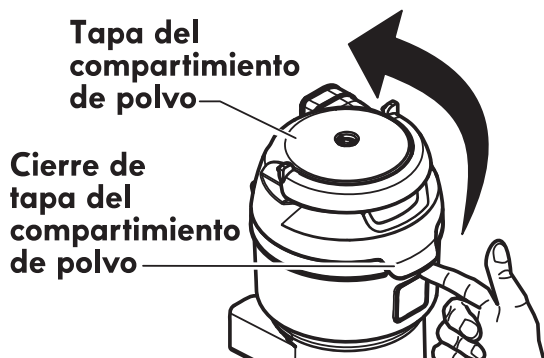


Es recomendable limpiar el filtro con agua fría por lo menos una vez al mes.

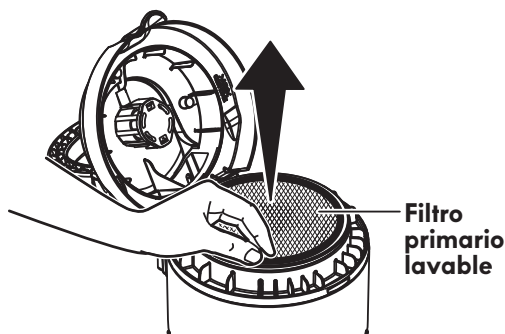
Revisar el filtro primario y limpiarlo cuando sea necesario.

NOTA: Una vez que haya limpiado el filtro, y la aspiradora no alcanza la potencia máxima de succión, necesitará reemplazar el filtro.

1. Quite el compartimiento de polvo. (vea **PARA VACIAR EL CONTENEDOR DE POLVO**, Pág. 13)



2. Jale del cierre de la tapa del contenedor de polvo y abra la tapa.



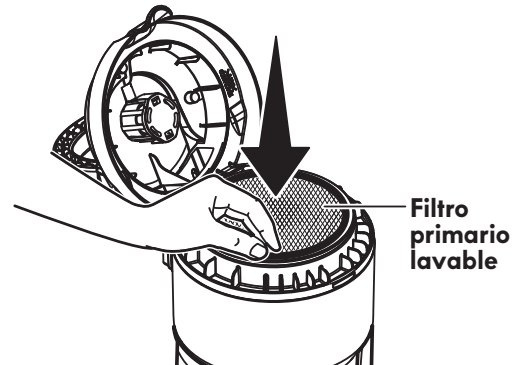
3. Remover el filtro primario.

4. Lavar con agua fría solamente, no utilizar detergente o jabón. Una vez el filtro es lavado y limpio, exprimirlo con la mano y permita que seque. Permita que el filtro seque por 24 horas antes de instalarlo en la aspiradora.

NO utilice su aspiradora sin el filtro primario. **NO LO** lave en la lavadora de trastes. **NO LO** instale húmedo.

Para reemplazar:

1. Poner el filtro primario dentro de la tapa del contenedor de polvo.



2. Cierre la tapa del contenedor de polvo. Asegúrese de que los broches de presión de la tapa estén en su lugar. Un "clic sensible" debe ser oído.



3. Reinstale el compartimiento de polvo en la aspiradora. (Vea **PARA REINSTALAR EL CONTENEDOR DE POLVO**, Pág. 13)

FILTRO DE ESCAPE

FILTRO DE ESCAPE

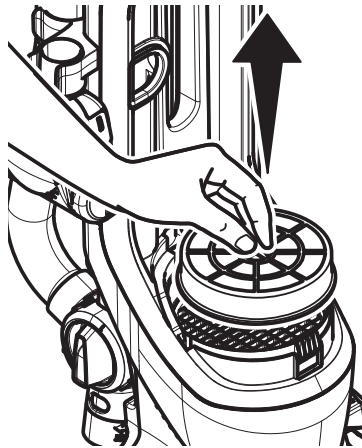
El filtro de escape se debe reemplazar cuando este sucio. El tiempo de reemplazo depende de las condiciones de uso. El filtro de escape debe de revisarse cada vez que se cambie la bolsa.

El filtro de escape no puede ser lavado, perdería su capacidad de atrapar el polvo.

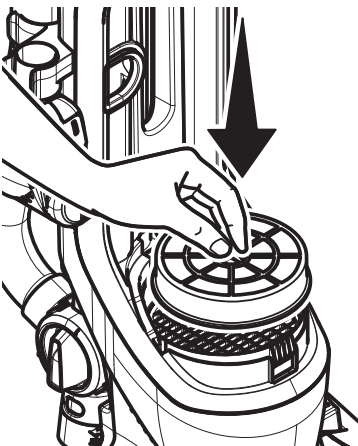
1. Presione hacia abajo el seguro de la cubierta del filtro de escape y jale hacia afuera para remover la tapa.



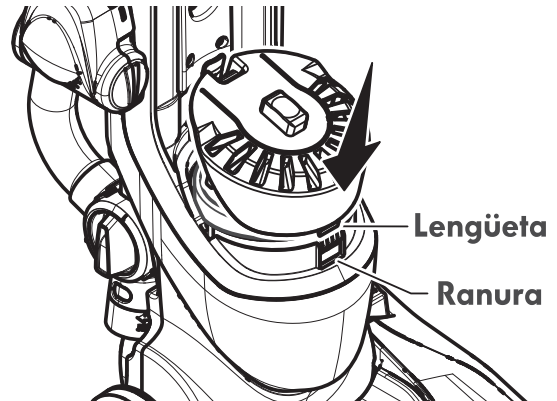
2. Remueva el filtro de escape de la aspiradora



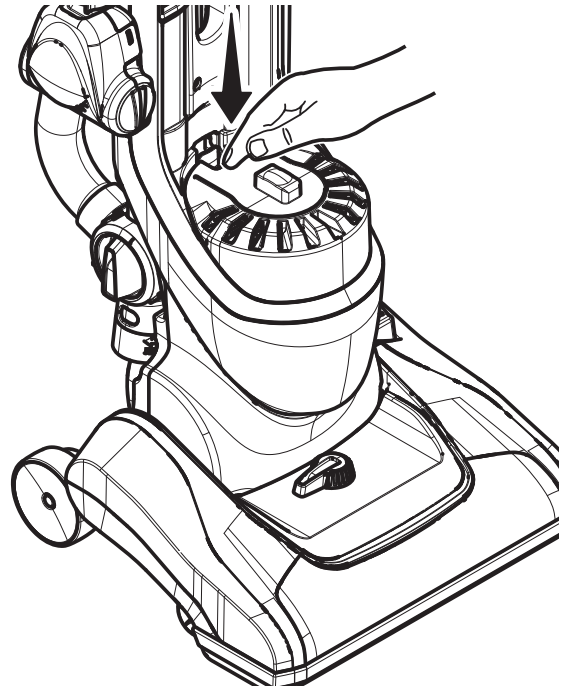
3. Coloque el nuevo filtro de escape dentro de la aspiradora como se muestra.



4. Para reinstalar la cubierta del filtro de escape insertando la lengüeta en la ranura.



5. Presiona cubierta en su lugar, como se muestra.



CAMBIO DE LA CORREA



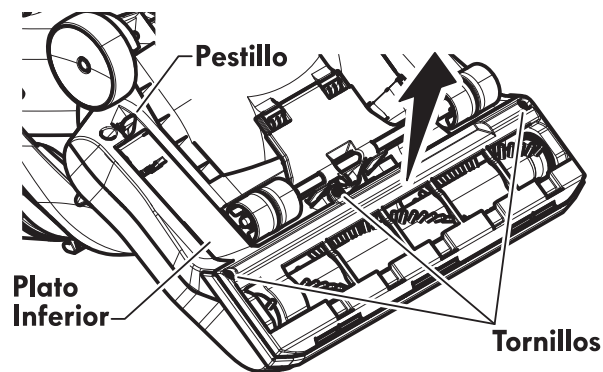
ADVERTENCIA

Peligro de choque eléctrico o lesión corporal

Desconecte la unidad antes de efectuar el mantenimiento a su aspiradora.

Reemplace la correa cuando huela a llanta quemada esto causado por el excesivo resbalamiento de la correa.

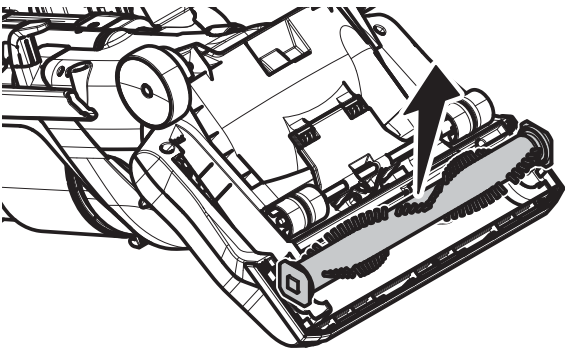
1. Recostar la aspiradora con la parte de atrás hacia arriba y la boquilla plana.
2. Quitar tres (3) tornillos del plato inferior.
3. Para liberar la base inferior, persione el pestillo. Levante el plato inferior.



CUIDADO

El eje del motor puede estar caliente.

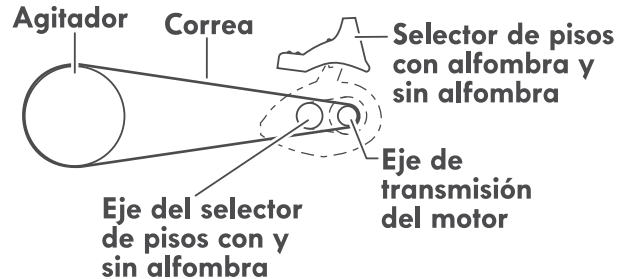
3. Sacar el agitador levantándolo cuidadosamente.



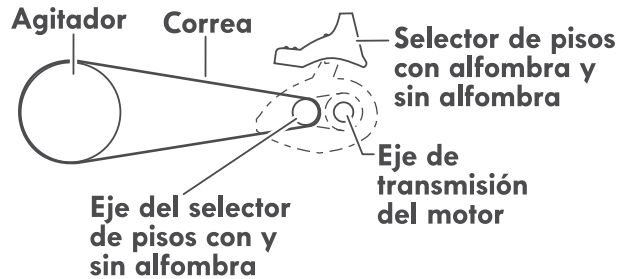
5. Saque la correa gastada o rota.
6. Limpie el agitador (Ver LIMPIEZA DEL AGITADOR, pág 19).

7. Coloque la nueva correa en el eje del motor y el agitador.

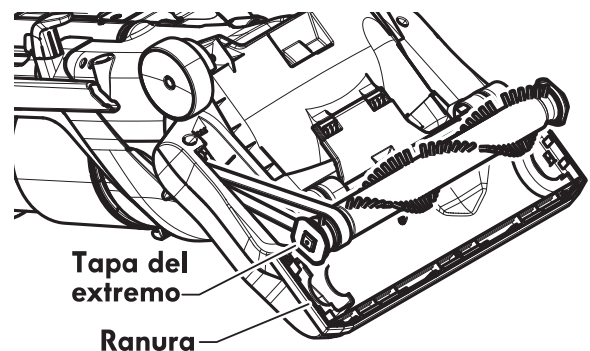
Ruta correcta de la correa
(Correa alrededor del eje de transmisión del motor)



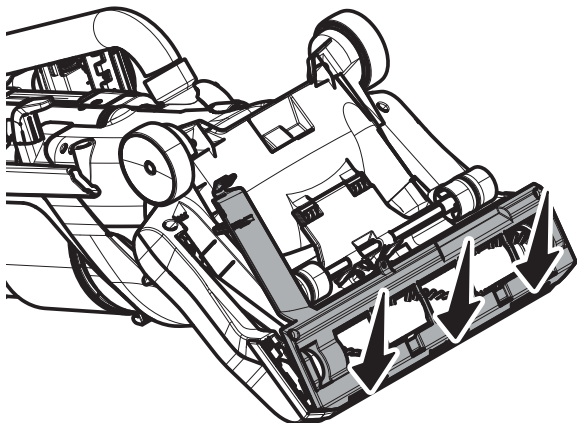
Ruta incorrecta de la correa
(Correa alrededor del eje del selector de pisos con y sin alfombra)



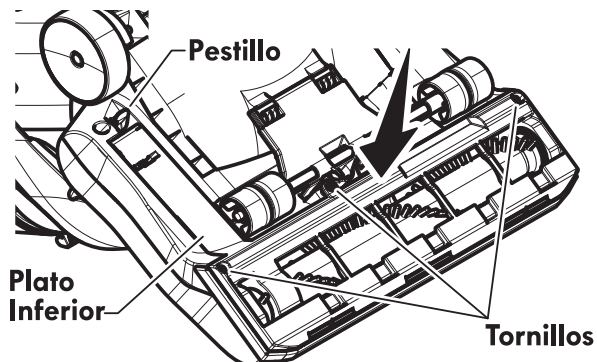
8. Coloque las tapas del extremo del agitador en las ranuras de la boquilla.



9. Reinstale el plato inferior alineando las lengüetas en el frente del plato inferior con las ranuras en la boquilla. Gire a la posición correcta.



10. Presione el plato inferior sobre la boquilla y encaje el pestillo en su lugar. Reinstale los tres tornillos en el plato inferior.



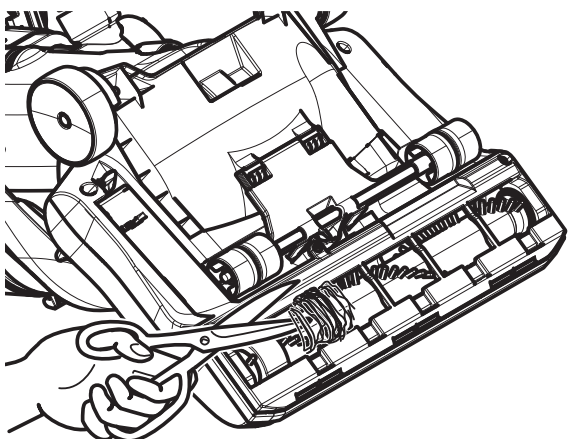
! CUIDADO

No apriete demasiado el tornillo. Si lo aprieta demasiado podría arruinar los orificios para el tornillo.

LIMPIEZA DEL AGITADOR

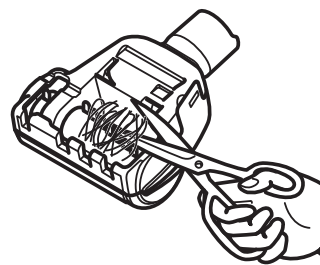
BOQUILLA

Para un aspirado eficiente, el agitador deber ser mantenido libre de fibras de alfombra, hilos, o acumulación de pelo. Luego de 7 a 10 usos, desenchufe y dé vuelta a la aspiradora y revise el agitador para ver si tiene acumulación de hilos, fibras o pelo. Use tijeras para sacar cualquier acumulación atorada alrededor del agitador.



PET HANDIMATE

Corte con unas tijeras el pelo de alfombra y la pelusa envueltos en el agitador.



! ADVERTENCIA

Para reducir el riesgo de daños personales quite el Pet Handi Mate de la manguera u el tubo antes de quitar los residuos.

REMOVER LAS OBSTRUCCIONES

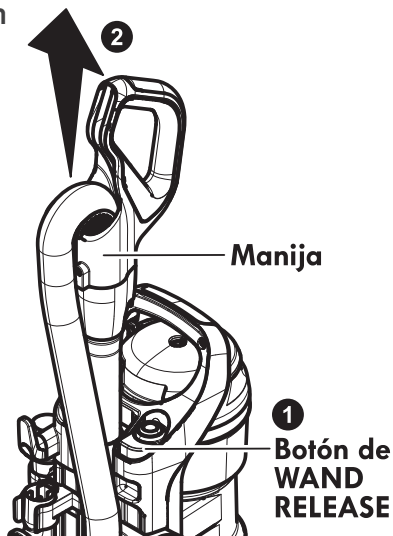
PARA REMOVER LA OBSTRUCCIÓN DE LA MANGUERA

Chequee frecuentemente el pasaje de aire para estar seguro de que está libre de obstrucciones

1. Pulse el botón de WAND RELEASE.

2. Tire hacia atrás para liberar el tubo.

3. Levante el tubo de la aspiradora



4. Enchufe la aspiradora y enciendala.

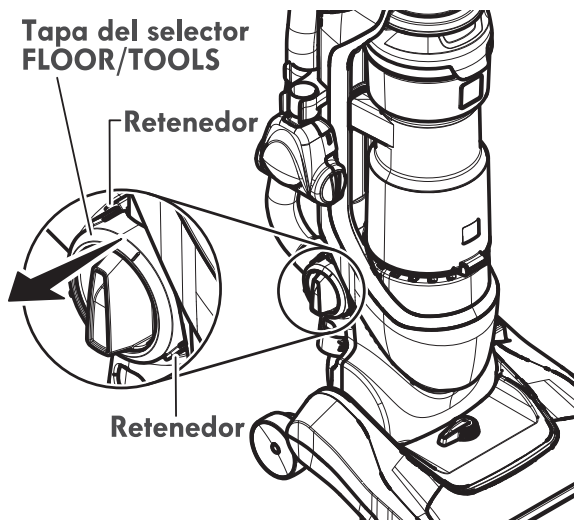
5. Estire al máximo la manguera y luego permita que se encoja hasta su tamaño normal de almacenamiento.

6. Reinstale el tubo en la aspiradora. Ver INSTRUCCIONES DE ENSAMBLE (pàg 5).

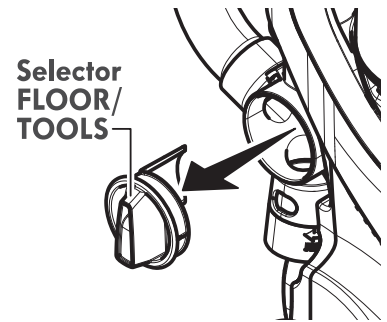
PARA ROMOVER ATASCAMIENTOS DEL PISO/SELECTOR DE HERREMIENTAS

Frecuentemente revise el selector FLOOR/TOOLS para asegurarse que esté libre de obstrucciones.

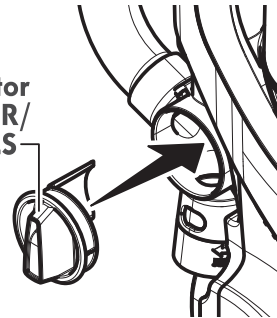
1. Presionar los retenedores de la tapa del FLOOR/TOOLS para removerla.



2. Remover el selector FLOOR/TOOLS y limpiar este de cualquier basura o obstrucción localizada en la área de válvula.



Selector FLOOR/TOOLS



3. Reinstalar FLOOR/TOOLS selector como se muestra.

3. Reinstale la tapa del selector FLOOR/TOOLS. Asegúrese de que los retenedores queden en su lugar, un notable click se deberá escuchar.

Tapa del selector FLOOR/TOOLS

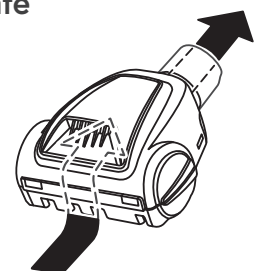


PARA REMOVER LA OBSTRUCCIÓN DEL PET HANDI MATE

⚠ ADVERTENCIA

Para reducir el riesgo de daños personales quite el Pet Handi Mate de la manguera u el tubo antes de quitar los residuos.

Inspeccione regularmente la vía de aire para asegurarse de que esté libre de obstrucciones. Extraiga cualquier tapón o residuos que pueda haber en la vía de aire.



RECONOCIMIENTO DE PROBLEMAS

Revise este recuadro para encontrar soluciones a problemas que puede corregir usted mismo. Cualquier otro servicio debe ser realizado por SEARS u otro agente de servicio calificado.



ADVERTENCIA Peligro de choque eléctrico

Desconecte la aspiradora antes de efectuar el mantenimiento a su aspiradora. De lo contrario podría producirse un choque eléctrico o causar lesión corporal.

PROBLEMA	CAUSA POSIBLE	SOLUCIÓN POSIBLE
La aspiradora no enciende	<ol style="list-style-type: none"> 1. Está desconectada. 2. Cortacircuitos botado o fusible quemado en el tablero de servicio de la residencia. 3. Protector termal activado. 4. Toma-corriente defectuoso. 	<ol style="list-style-type: none"> 1. Conecte bien, seleccione la función deseada en el control manual. 2. Restablezca el cortacircuitos o cambie el fusible. 3. Desconecte la aspiradora y permita que se enfríe, el protector térmico se activara por si solo. (Pág 11) 4. Pruébelo con otro aparato o lámpara. Hágalo reparar apropiadamente.
No aspira satisfactoriamente.	<ol style="list-style-type: none"> 1. El contenedor de polvo llena o atascada. 2. Ajuste incorrecto de nivel de pelo de la alfombra. 3. Agitador desgastado. 4. Correa desgastada o rota. 5. Boquilla, o sujetador de la bolsa, atascada. 6. Manguera rota. 7. La manguera no está bien insertada. 8. Activación del sistema de protección del motor. 9. Filtros de seguridad. 	<ol style="list-style-type: none"> 1. Vacie el contenedor del polvo. (Pág 13) 2. Ajuste el nivel. (Pág 9) 3. Cambie el agitador. 4. Cambie la correa (pág 17-18). 5. Revise y eliminar los residuos de basura en los conductos en la boquilla, la manija, y el tubo. 6. Cambie la manguera. 7. Inserte bien la manguera. (Pág 5) 8. Determine si existen bloqueos. 9. Limpie el pre-filtro (pág 15), el filtro primario (pág 16), o cambie el filtro del escape. (Pág 17)
El agitador no funciona.	<ol style="list-style-type: none"> 1. Correa desgastada o rota. 2. Ruta incorrecto de la correa. 3. Selector alfombra-piso es en la posición FLOOR. 	<ol style="list-style-type: none"> 1. Cambie la correa (pág 17-18). 2. Revise ruta de la correa. (pág 17) 3. Mueva el selector de la posición CARPET. (Pág 8)
Restricción del flujo con el uso de los accesorios; cambio de sonido.	<ol style="list-style-type: none"> 1. El uso de los accesorios limita el flujo de aire. 2. La pelusa de una alfombra nueva obstruye el paso de aire. 	<ol style="list-style-type: none"> 1. Revise ACCESORIOS. (Pág 9) 2. Revise y eliminar los residuos de basura en los conductos en la boquilla, la manija, y el tubo.

PROBLEMA	CAUSA POSIBLE	SOLUCIÓN POSIBLE
<p>El Pet Handi Mate no funciona alrededor cuando está instalado.</p>	<ol style="list-style-type: none"> 1. Pila de la alfombra enredada del agitador. 2. Correa desgastada o rota. 	<ol style="list-style-type: none"> 1. Limpie el agitador. 2. Esta pieza no se puede arreglar. Devuelva a una tienda o centro de servicio de Sears para que se lo cambien si está bajo garantía.
<p>No recoge bien la basura.</p>	<ol style="list-style-type: none"> 1. Pila de la alfombra enredada alrededor del agitador. 2. Correa desgastada o rota. 3. Problema con la aspiradora. 4. Control de aspiración abierto. 5. Perforaciones en la manguera de aspiración. 	<ol style="list-style-type: none"> 1. Limpie el agitador. 2. Esta pieza no se puede arreglar. Devuelva a una tienda o centro de servicio de Sears para que se lo cambien si está bajo garantía. 3. Consulte la sección de sugerencias para la aspiradora. 4. Cierre el tubo de aspiración. (Pág 11) 5. Cambie la manguera puede obtenerse en centro. Consulte la lista de piezas de reparación para adquirir información de la compra de la manguera.

Kenmore®

Vacuum Cleaner Help Line

1-877-531-7321

8:00 am – 5:00 pm ET M-F

Refer to the Troubleshooting section
of the Use & Care Guide.

For additional assistance,
call the Vacuum Cleaner Help Line.

