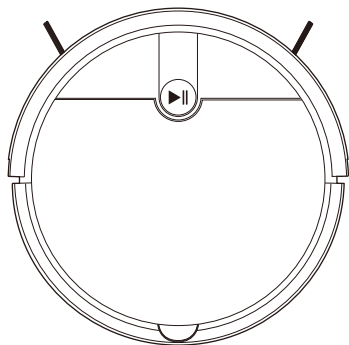


# ILIFE-V2

Robotic vacuum cleaner

## User Manual



English

Français

Español

Polski

For more detailed information,  
please visit: [www.iliferobot.com](http://www.iliferobot.com)

**ILIFE**



Dear Customer,

Thank you for purchasing the ILIFE V2 Robotic Vacuum Cleaner!  
You've joined the millions of people cleaning with robots - the smartest way to do it.

Please take a few moments to read through this manual and familiarize yourself with your robot to achieve the best performance. If you encounter any issues with your robot, feel free to contact our customer service or visit our website at [www.iliferobot.com](http://www.iliferobot.com) for further assistance. Stay connected with us on "X" to enjoy these exclusive benefits:

- Get tailored support for your specific robot, including answers to your questions, maintenance tips, video demonstrations, live chat, and more.
- Receive product updates and other valuable information, be among the first to discover new robots, exclusive discounts, and special promotions.

Connect with us now on  
X: [https://x.com/ilife\\_Global](https://x.com/ilife_Global)

Enjoy comprehensive cleaning every day! Best regards,  
ILIFE Innovation

## ILIFE Customer Service



[warranty\\_repair\\_EU@iliferobot.com](mailto:warranty_repair_EU@iliferobot.com) (Europe)

## Table of Contents

**Safety Instructions** .....3

**Product Composition** .....5

Accessories List .....5

Host Introduction .....6

Robot Anatomy .....7

Dustbin .....8

Charging Dock .....8

Remote Control .....8

Product Specifications .....10

**Product Operating** .....11

Attentions .....11

Charging Dock .....13

Starting up/Pause/Sleep .....15

Selecting Cleaning Modes .....16

**Maintenance** .....18

Cleaning Side Brushes .....18

Cleaning Sensors & Charging Pins .....18

Cleaning Dustbin & Filter .....19

Replace Accessories Regularly .....20

**Troubleshooting** .....21

Error Code Sheet .....21



## Safety Instructions

---

### Warnings

1. This robot should not be used by children under 8 years old or individuals with mental disorders, except under supervision. Do not let children sit on the robot or use it as a toy.
2. Act promptly if an error occurs during cleaning. Before using the robot, remove all power cords and small objects on the floor. Lift carpet fringes and ensure curtains and tablecloths are not in contact with the floor.
3. If there are suspended steps or stairs, please check if the robot can detect them before use. If not, install barriers to prevent falls and ensure the barriers do not cause harm to individuals.
4. Follow the instructions in this user manual. Use only factory-authorized or recommended accessories.
5. Ensure the charging dock voltage is compatible with the power supply voltage.
6. Use the robot indoors and in a household environment only. Do not use it outdoors or in commercial or industrial spaces.
7. Use only factory-authorized adapter and charging dock. Do not use non-rechargeable batteries. Refer to the "Product Specifications" section for battery standards details.
8. Do not immerse the robot in water or rinse it under the tap.
9. Do not clean the robot with a dripping wet cloth.
10. Do not use the robot on floors with stagnant water.
11. Do not use the robot near fire or fragile objects.
12. Keep cloth, human hair, fingers, or other body parts away from the robot's open or operating mechanism.
13. Do not use the robot on floors with stones or paper to avoid blockages.
14. Do not use the robot in areas with flammable substances such as gasoline, toner, etc., or to clean burning objects like cigarettes, ashes, or matches, or anything that could cause a fire.
15. Do not use damaged charging docks.
16. Do not lift the robot or charging dock by the power cord, and keep power cords away from heat and prevent them from getting caught around doors, edges, or corners.
17. Damaged power cords must be repaired by the manufacturer's repair service or certified technicians.

## Safety Instructions

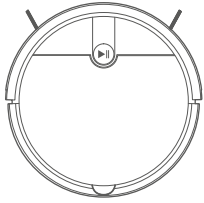
---

18. Install dustbin and filters properly before using the robot.
19. Do not use the robot in rooms where babies are sleeping.
20. Do not use damaged power cords or charging dock to recharge the robot.  
Do not use the robot if it's damaged by falling down, or soaking in water.
21. Turn off the power switch if the robot will not be used for a long time.
22. Turn off the power switch before cleaning or maintaining the robot.
23. Unplug power cords from the charging dock before cleaning or maintaining the robot.
24. Remove battery before discarding the robot.
25. Robot and battery are to be disposed of according to local safety regulations.
26. Do not cremate the robot to avoid the explosion.
27. This equipment should be installed and operated with minimum distance of 20 cm between the radiator and your body.
28. Any changes or modifications not expressly approved by the grantee of this device could void the user's authority to operate the device.
29. Follow the instructions in this user manual.  
The manufacturer is not liable for damages caused by improper use.

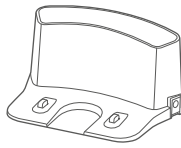
## Product Composition

---

### Accessories List



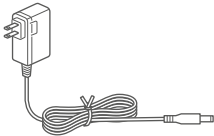
Main Body



Charging Dock



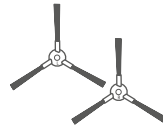
Remote control



Power Adapter



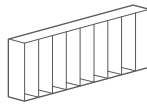
Cleaning Tool



Extra Side Brush X2



User Manual



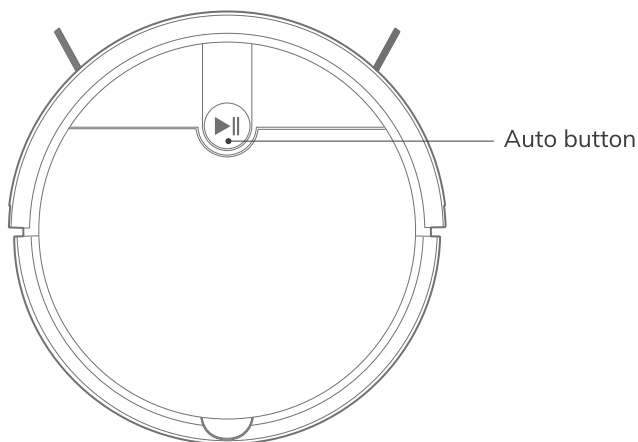
High Performance Filter



AAA Battery X2

## Product Composition

### Host Introduction

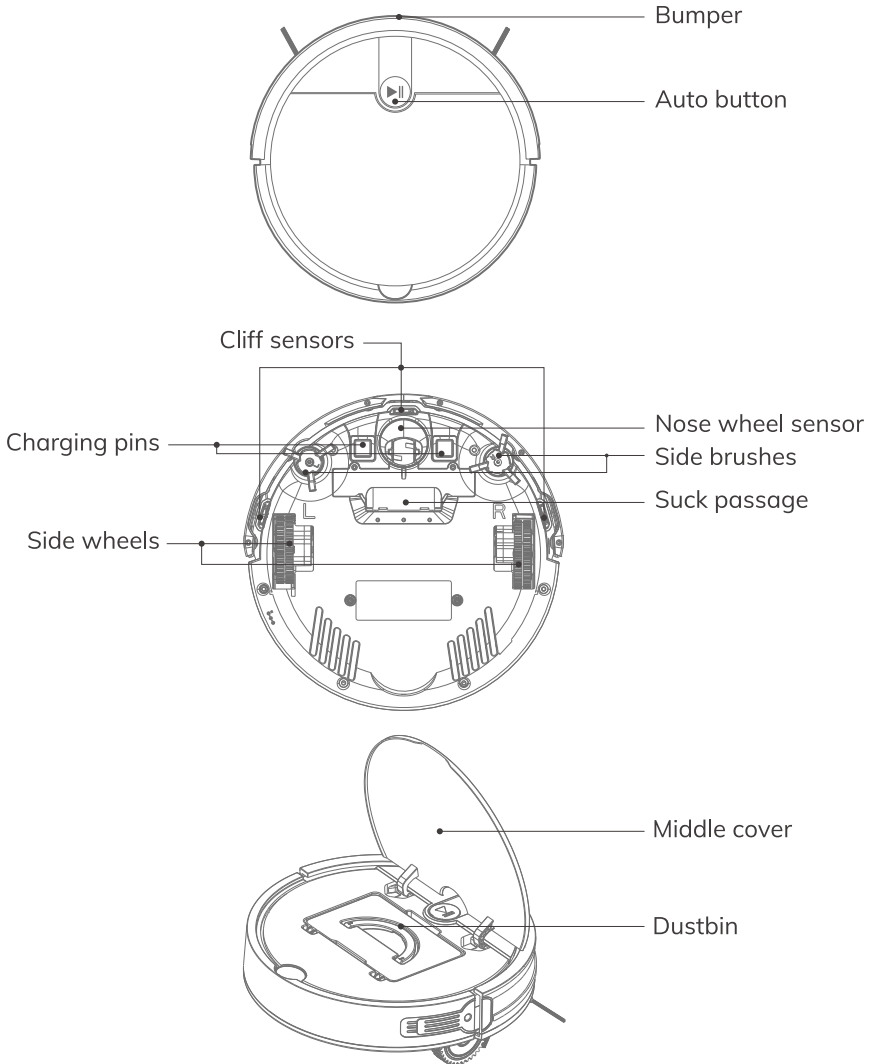


Button	Robot status	Operation	Functional description
Auto Button	Turn off	Press and hold for 3 seconds	Turn on the robot
	Turn on	Press the button once	Start / Pause
		Press the button twice	Enter recharge mode
		Press and hold for 8 seconds	Turn off the robot

Power indicator	Green	Electricity $\geq 15\%$
	Orange	Electricity $\leq 15\%$
	Red	Failure or abnormality

## Product Composition

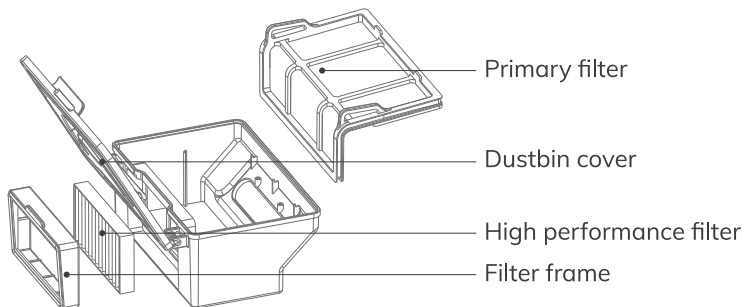
### Robot Anatomy



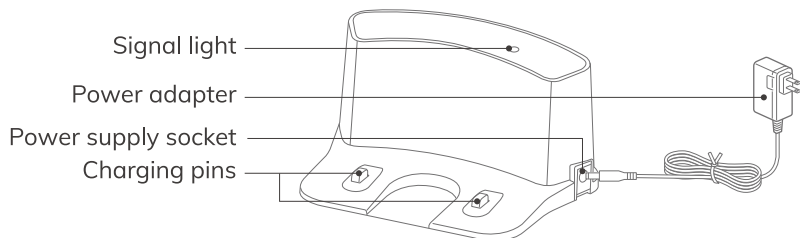
## Product Composition

---

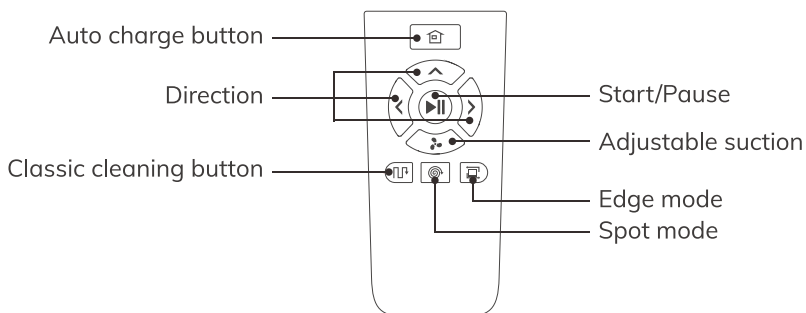
### Dustbin



### Charging Dock



### Remote Control



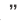
## Product Composition

---

### 1 Starting up/Pause

- Press the button to switch the robot from sleep mode to idle mode.
- Press the button when in idle mode to start cleaning.
- Press the button to pause the robot during its operation.

### 2 Directional Buttons

A. “” button:

Press the button in sleep mode to move the robot forward.

B. “” button:

Press this button in work mode to switch to "super strong" suction power.

C. “” button:

Press the button and the robot will turn left.

D. “” button:

Press the button and the robot will turn right.



Note: “” cannot be used during a cleaning cycle.

### 3 Auto charge button

- Press the button and the robot will return to the charging dock for recharging.
- When the robot unit is on the charging dock, double-click this button to set the current time as the daily scheduled start time.
- When the robot unit is on the charging dock, press this button three times to cancel the scheduled setting.

### 4 Classic cleaning button

Press this button to start robot cleaning when it is under standby mode.

### 5 Spot button

Press this button to make the robot start spiral spot cleaning.

### 6 Edge button

Press this button to start edge cleaning when robot is under standby mode.



Note:

1. Install two AAA type batteries into the remote control.
2. Take out the batteries if the remote control is not used for long time.

## Product Composition

---

### Product Specifications

Item	Specification
Overall dimension	310x310x76mm
Net weight	2.15kg
Battery type	Li-ion
Charging type	Auto Charging / Manual Charging
Dustbin capacity	0.3L
Cleaning modes	Auto, Spot, MAX, Edge, Daily Schedule
Charging time	<300mins
Main body button type	Mechanical Button

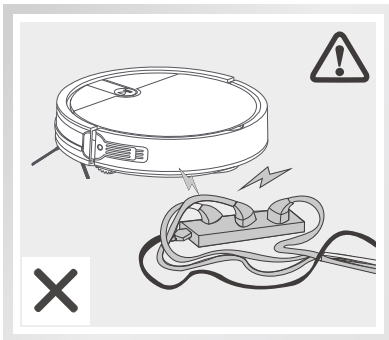
**Note:**

The company reserves the right of final decision on the interpretation of these terms and conditions.

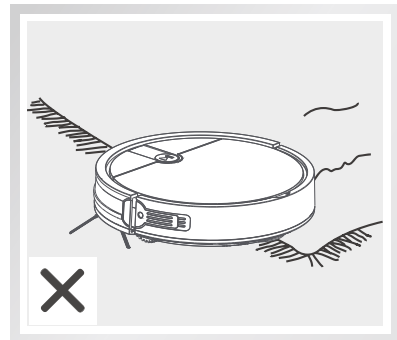
## Product Operation

### Attentions

The robot may skip over some areas due to the complexity of the home environment. To achieve the best result, we suggest using it as daily routine and clearing up the obstructions on the floor before starting the robot.



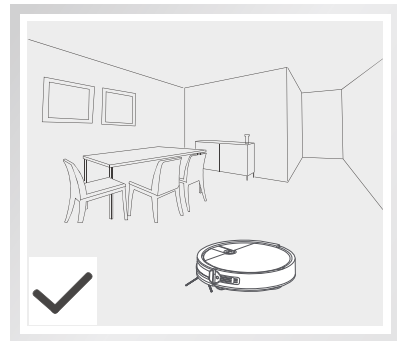
Please move away the power cords and other objects that may tangle the robot before cleaning.



Please fold up the edges of the carpets before cleaning.



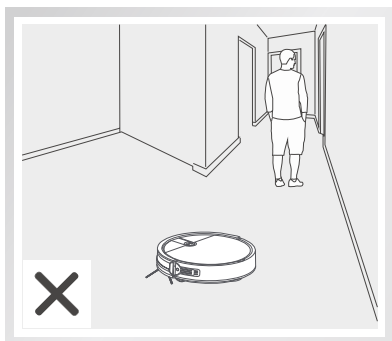
To avoid being stuck during cleaning, please arrange the furniture neatly.



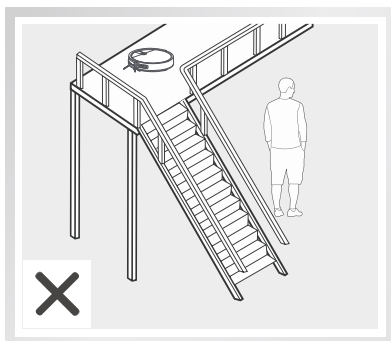
## Product Operation

---

### Attentions



Please do not stand at somewhere with narrow space like the door sill or hallway in case of blocking the robot and skipping over some areas.



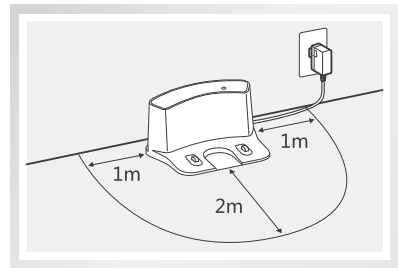
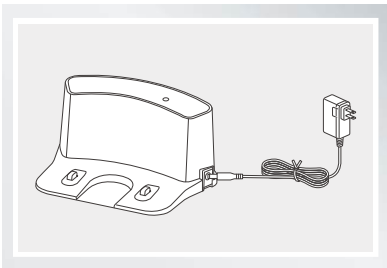
Please do not stand by downstairs when the robot is working upstairs in case of getting injured by any fallen objects.

## Product Operation

### Charging Dock

#### 1 Placement of charging dock

- Connect the adapter to the charging dock.
- Placement of the charging dock: place it against the wall horizontally, and there should be no objects on the left and right sides within a one-meter radius and none in front within a two-meter radius. Also, there should be no reflective objects such as a mirror around the dock.
- Plug in the power.

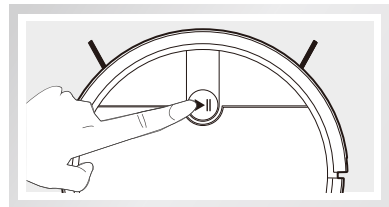


#### Reminder:

When the charging dock is connected to the adapter, the signal light of the dock will light up.

#### 2 Turn on the robot

- Press the AUTO button for 3 seconds to turn on, and hold it for 8 seconds to turn off.




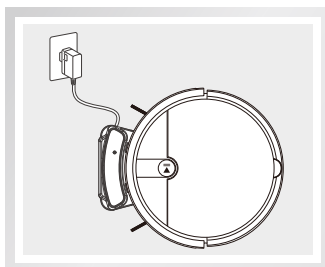
#### Note:

After the robot finishes its work, please do not turn it off, and fully recharge it for the next run.

## Product Operation

### 3 Charging the robot

- In automatic cleaning mode, when the robot's battery is low, it will automatically start searching for the charging dock to recharge.
- In selection mode, press the  button on the remote control, and the robot will start searching for the charging dock to recharge.



#### Reminder:

Please keep the charging pins clean in daily use to ensure a good connection.



#### Reminder:

1. When using the robot for the first time, please charge it fully for 12 hours. After charging is complete, the display light will stay on constantly for a period and then turn off.
2. Please leave the robot on the charging dock for daily use and make sure that the charging dock is connected to the power.
3. If you won't use the robot for a long time, please fully charge it, turn off the power and keep it in a well-ventilated dry place.

## Product Operation

---

### Starting up/Pause/Sleep

**Sleep mode:** The robot display light is off, and the robot is stationary.

**Selection Mode:** The robot display light flashes, and the robot is stationary.

**Cleaning mode:** The robot is in operation, and the robot display light stays on constantly.

#### 1. Starting up

- A. Press and hold the AUTO button on the robot for 3 seconds to wake up the robot.
- B. Press the AUTO button on the wake up or the AUTO button on the remote control to start the robot.



Note:

If the robot is in sleep mode, press the AUTO button on the robot or the AUTO button on the remote control to wake up the robot and enter selection mode. Press again, and the robot will start automatically.

#### 2. Pause

To switch the robot from cleaning mode to selection mode, you can press the AUTO button on the robot or the AUTO button on the remote control to pause the robot.

#### 3. Sleep mode

If there is no operation on the robot within 10 minutes, the robot will automatically enter sleep mode.

## Product Operation

### Selecting Cleaning Modes

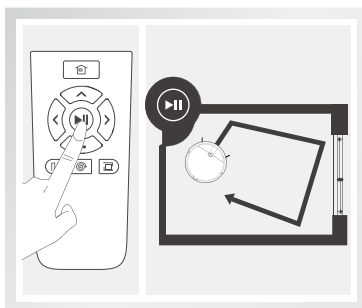
There are several cleaning modes to fit various floor conditions for deep cleaning. You can make a choice with the remote control.

#### 1 Auto cleaning

The robot will clean a room automatically and adjust its cleaning according to the situation.

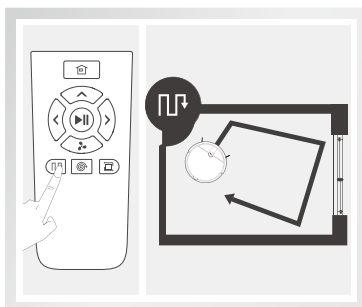


**Reminder:**  
Press AUTO button on robot or  
AUTO button on remote control  
to start auto cleaning.




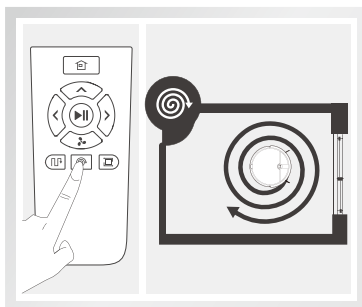
#### 2 Classic Cleaning

Robot takes a straight cleaning and only turn its direction until it detects or encounters obstacles.




#### 3 Spot mode

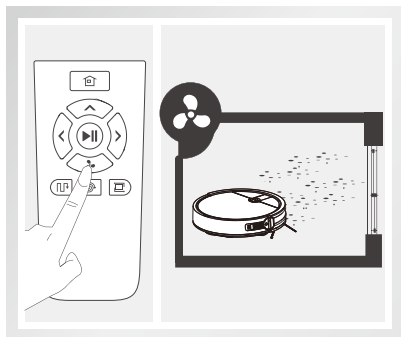
Place the robot near the required area, and then press the button  on the robot to start cleaning in Spot Mode.



## Product Operation

### 4 MAX mode


When the robot is in automatic cleaning mode, press button  on the remote control to start cleaning with maximum suction power.

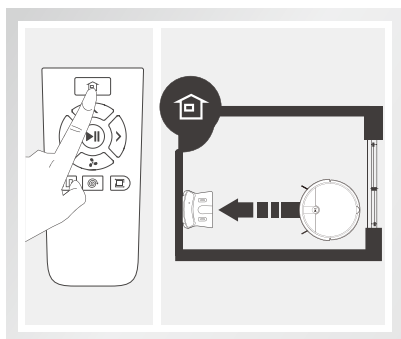


### 5 Auto charge mode


The robot can sense lower power during the cleaning process and automatically activate Self-charge Mode and search for the charging dock.

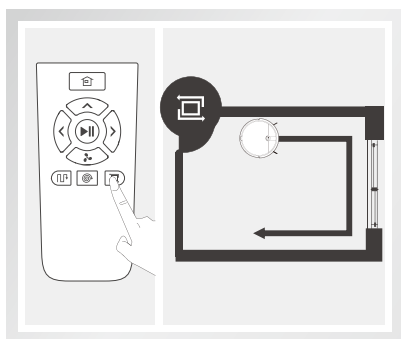


You can also use the button  on the remote control to command the robot to activate the mode.



### 6 Edge Mode

Place the robot near the required area, and then press button  on the remote control to start cleaning in Edge Mode.



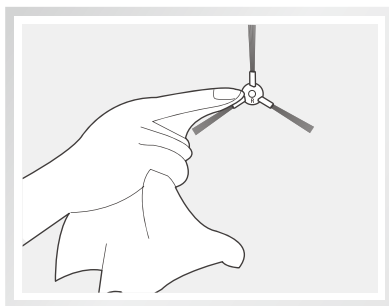
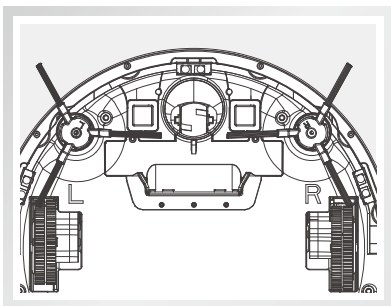
## Maintenance



Reminder: Make sure the robot is turned off and adaptor is unplugged before accessories maintenance.

### Cleaning Side Brushes

- Remove side brushes. Wipe clean with a clean cloth.
- When replacing the side brush, please distinguish the corresponding installation position of the "L" "R" side brush.

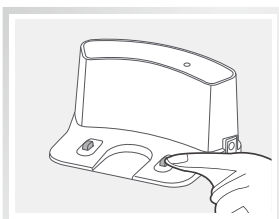
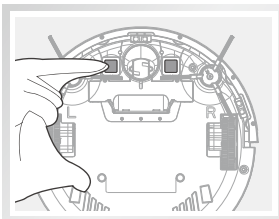
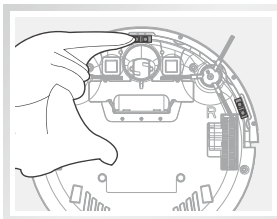


### Cleaning Sensors & Charging Pins

Use cleaning tools or a soft cloth to clean the sensors and charging pins:

**Note:**

Remove dust or foreign objects on sensors and charging pins on the charging dock as soon as possible.

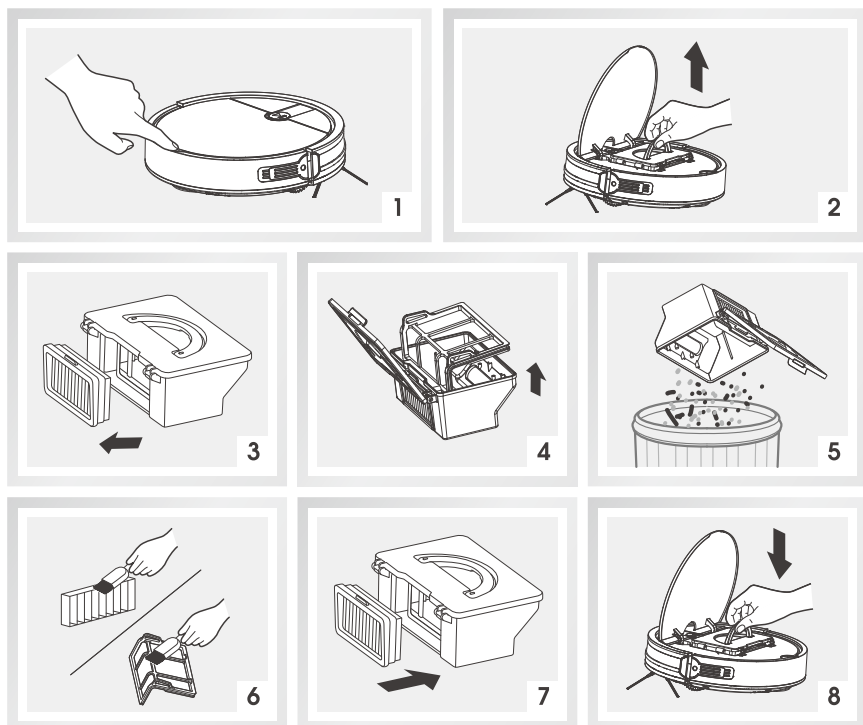


## Maintenance

### Cleaning Dustbin & Filter

Please clean the dustbin and filter after each use of the robot as instructed below.

- Remove the dustbin and check if there is any debris in the suction inlet, and then clean it.
- A primary filter is replaceable and should be washed with water after having been in use for about 15-30 days, after which it should be dried in a cool and well-ventilated place and not to be squeezed.
- High Performance Filter can not be cleaned with water. To prolong the life of the filter it can be cleaned by shaking the filter.



## Maintenance

---

### Replace Accessories Regularly

Accessories	Maintenance	Replacement
Dustbin	After each use	N/A
High performance filter	Weekly (Twice a week for families with pets)	3-5 months interval
Spinning side brush	Weekly	Depends
Charging dock	Weekly	N/A

## Troubleshooting

### Error Code Sheet

The robot will remind you of malfunctions by emitting beeps.

- Short tone

NO.	Tone	Cause	Solution
01	•	Wheels or side brushes no work	Check wheels or side brushes
02	• •	Cliff sensor or bumper sensor failure	Clean cliff sensor and shake bumper slightly, check whether there is foreign matter
03	• • •	Main body gets stuck	Move main body and start again



**Note:**

If the above solutions do not solve the problem, please try the following:

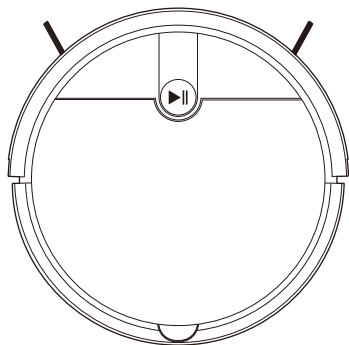
1. First, press the AUTO button and hold it for 8 seconds to turn off the robot, then press the AUTO button and hold it for 3 seconds to turn on the robot.
2. If restarting the robot still does not solve the problem, please send the robot to the after-sales repair center for repair.



# ILIFE-V2

Aspirateur Robotique

## Manuel de l'Utilisateur



Pour des informations plus détaillées,  
veuillez visiter: [www.iliferobot.com](http://www.iliferobot.com)

**ILIFE**



Cher Client,

Merci d'avoir acheté l'Aspirateur Robotique ILIFE V2! Vous avez rejoint les millions de personnes qui nettoient avec des robots - la manière la plus intelligente de le faire.

Veillez prendre quelques instants pour lire ce manuel et vous familiariser avec votre robot afin d'obtenir les meilleures performances. Si vous rencontrez des problèmes avec votre robot, n'hésitez pas à contacter notre service client ou à visiter notre site web à [www.iliferobot.com](http://www.iliferobot.com) pour obtenir une assistance supplémentaire. Restez connecté avec nous sur "X" pour profiter de ces avantages exclusifs:

- Obtenez un support sur mesure pour votre robot spécifique, comprenant des réponses à vos questions, des conseils d'entretien, des démonstrations vidéo, un chat en direct, et plus encore.
- Recevez des mises à jour sur les produits et d'autres informations précieuses, soyez parmi les premiers à découvrir de nouveaux robots, des réductions exclusives et des promotions spéciales.

Connectez-vous avec nous dès maintenant sur:

X: [https://x.com/ilife\\_Global](https://x.com/ilife_Global)

Profitez d'un nettoyage complet chaque jour! Cordialement,  
Innovation ILIFE

## Service Client ILIFE



[warranty\\_repair\\_EU@iliferobot.com](mailto:warranty_repair_EU@iliferobot.com) (Europe)

## Table des Matières

<b>Instructions de Sécurité</b> .....	3
<b>Composition du Produit</b> .....	5
Liste des accessoires .....	5
Présentation de l'appareil .....	6
Anatomie du robot .....	7
Poubelle .....	8
Station de chargement .....	8
Télécommande .....	8
Spécifications du produit .....	10
<b>Fonctionnement du Produit</b> .....	11
Précautions .....	11
Base de rechargement .....	13
Démarrage/Pause/Sommeil .....	15
Sélection des modes de nettoyage .....	16
<b>Entretien</b> .....	18
Nettoyage de la brosse latérale .....	18
Nettoyage capteur et point de contact de recharge .....	18
Nettoyage de la poubelle et du filtre .....	19
Remplacement des accessoires régulièrement .....	20
<b>Dépannage</b> .....	21
Liste des codes d'erreur .....	21

## Instructions de Sécurité

### Avertissements

1. Ce robot ne doit pas être utilisé par des enfants de moins de 8 ans ou des personnes souffrant de troubles mentaux, sauf sous surveillance. Ne laissez pas les enfants s'asseoir sur le robot ou l'utiliser comme un jouet.
2. Agissez rapidement en cas d'erreur pendant le nettoyage. Avant d'utiliser le robot, retirez tous les cordons d'alimentation et les petits objets sur le sol. Soulevez les franges de tapis et assurez-vous que les rideaux et les nappes ne sont pas en contact avec le sol.
3. S'il y a des marches suspendues ou des escaliers, veuillez vérifier si le robot peut les détecter avant utilisation. Sinon, installez des barrières pour éviter les chutes et assurez-vous que les barrières ne causent aucun dommage aux individus.
4. Suivez les instructions de ce manuel d'utilisation. N'utilisez que des accessoires autorisés en usine ou recommandés.
5. Assurez-vous que la tension de la station de charge est compatible avec la tension de l'alimentation électrique.
6. Utilisez le robot uniquement à l'intérieur et dans un environnement domestique. Ne l'utilisez pas à l'extérieur ou dans des espaces commerciaux ou industriels.
7. Utilisez uniquement l'adaptateur et la station de charge autorisés en usine. N'utilisez pas de piles non rechargeables. Référez-vous à la section "Spécifications du Produit" pour les détails sur les normes de batterie.
8. N'immergez pas le robot dans l'eau ou ne le rincez pas sous le robinet.
9. Ne nettoyez pas le robot avec un chiffon gorgé d'eau.
10. N'utilisez pas le robot sur des sols avec de l'eau stagnante.
11. N'utilisez pas le robot près du feu ou d'objets fragiles.
12. Tenez les chiffons, les cheveux humains, les doigts ou autres parties du corps éloignés du mécanisme ouvert ou en fonctionnement du robot.
13. N'utilisez pas le robot sur des sols avec des pierres ou du papier pour éviter les obstructions.
14. N'utilisez pas le robot dans des zones avec des substances inflammables comme de l'essence, du toner, etc., ou pour nettoyer des objets brûlants comme des cigarettes, des cendres ou des allumettes, ou tout ce qui pourrait causer un incendie.
15. N'utilisez pas de stations de charge endommagées.
16. Ne soulevez pas le robot ou la station de charge par le cordon d'alimentation, et gardez les cordons d'alimentation à l'écart de la chaleur et empêchez-les de se coincer autour des portes, des bords ou des coins.
17. Les cordons d'alimentation endommagés doivent être réparés par le service de réparation du fabricant ou des techniciens certifiés.
18. Installez correctement le bac à poussière et les filtres avant d'utiliser le robot.

## Instructions de Sécurité

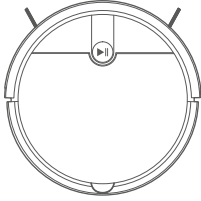
---

19. N'utilisez pas le robot dans des pièces où les bébés dorment.
20. N'utilisez pas de cordons d'alimentation ou de stations de charge endommagés pour recharger le robot. Ne pas utiliser le robot s'il est endommagé par une chute ou s'il est trempé dans l'eau.
21. Éteignez l'interrupteur d'alimentation si le robot ne doit pas être utilisé pendant une période prolongée.
22. Éteignez l'interrupteur d'alimentation avant de nettoyer ou d'entretenir le robot.
23. Débranchez les cordons d'alimentation de la station de charge avant de nettoyer ou d'entretenir le robot.
24. Retirez la batterie avant de jeter le robot.
25. Le robot et la batterie
26. Ne pas démonter le robot pour éviter une explosion.
27. Cet équipement doit être installé et utilisé en maintenant une distance minimale de 20 cm entre le radiateur et votre corps.
28. Toute modification non expressément approuvée par le titulaire de cet appareil pourrait invalider l'autorisation de l'utilisateur à utiliser l'appareil.
29. Suivez les instructions de ce manuel d'utilisation.  
Le fabricant n'est pas responsable des dommages causés par une utilisation incorrecte.

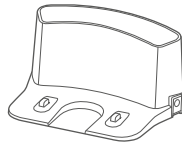
## Composition du Produit

---

### Liste des accessoires



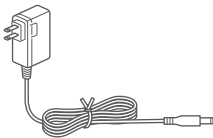
Corps principal



Station de chargement



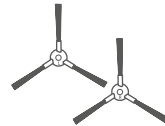
Télécommande



Adaptateur secteur



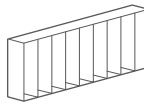
Outils de nettoyage



Brosses latérales supplémentaires X2



Manuel de l'utilisateur



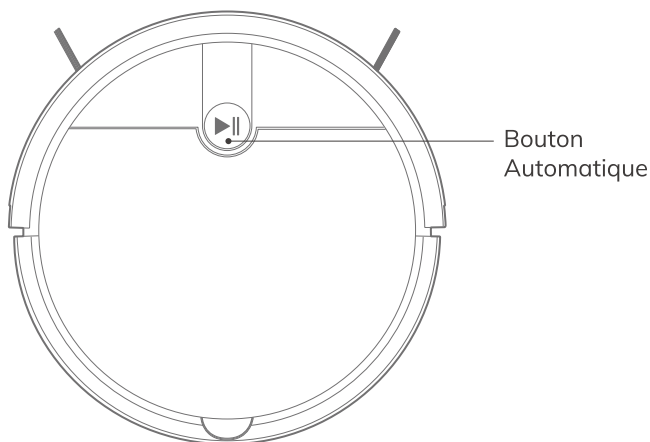
Filtre haute performance



Batterie AAA X2

## Composition du Produit

### Présentation de l'appareil

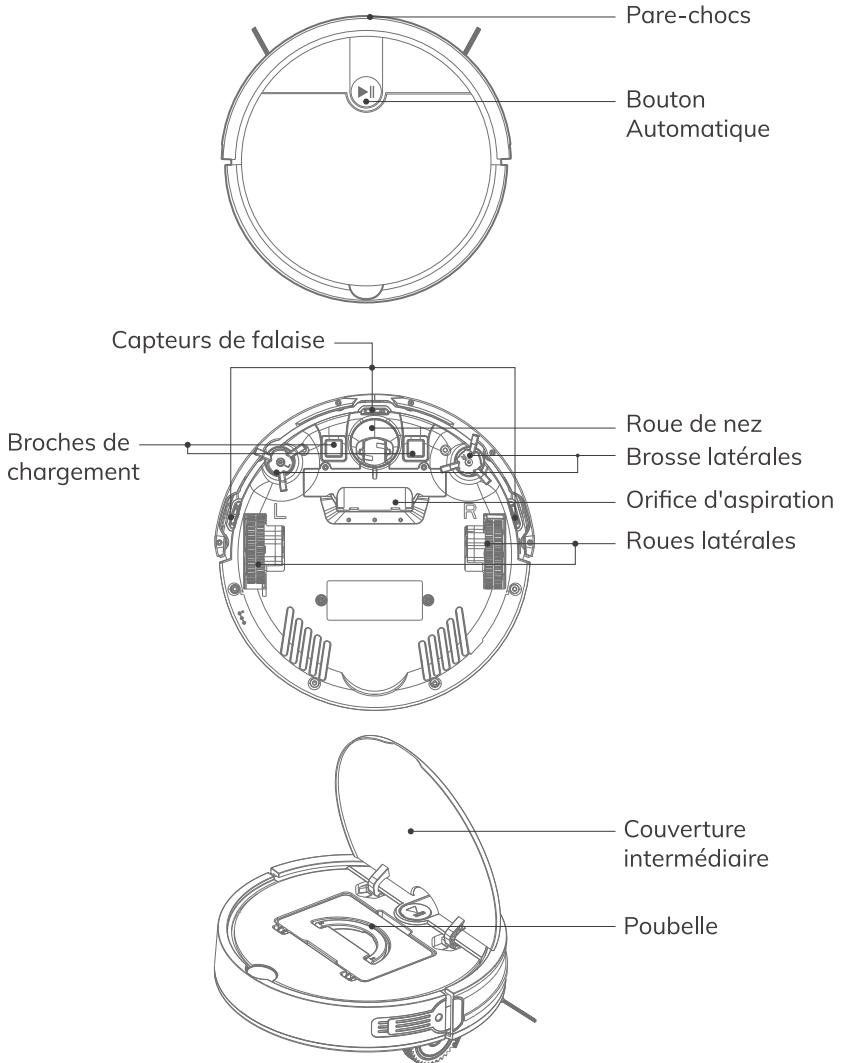


Bouton	État du Robot	Opération	Description Fonctionnelle
Bouton Automatique	Arrêt	Appuyez et maintenez enfoncé pendant 3 secondes	Allumer le robot
	Marche	Appuyez sur le bouton une fois	Démarrer/ Arrêter le nettoyage
		Appuyez deux fois sur le bouton.	Entrez en mode de recharge.
		Appuyez et maintenez enfoncé pendant 8 secondes	Éteindre le robot

Indicateur de Puissance	Vert	Électricité $\geq 15\%$
	Orange	Électricité $\leq 15\%$
	Rouge	Défaillance ou anomalie

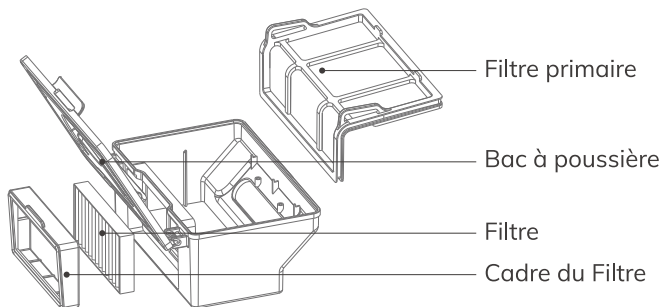
## Composition du Produit

### Anatomie du robot

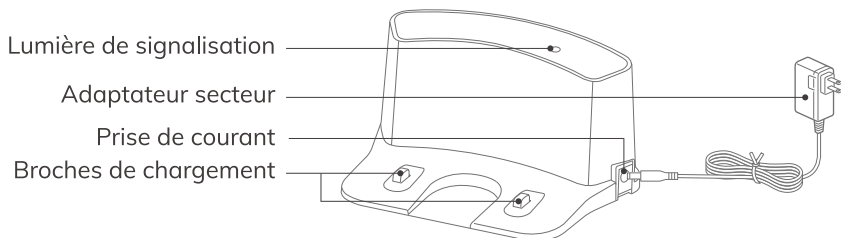


## Composition du Produit

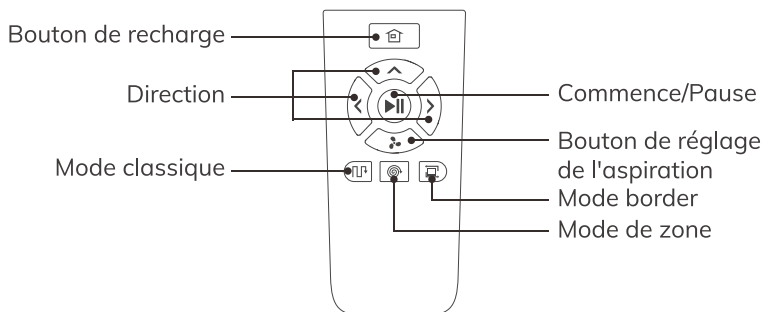
### Poubelle



### Station de chargement



### Télécommande



## Composition du Produit

### 1 Boutons Nettoyage/Pause

- Appuyez sur le bouton pour faire passer le robot du mode veille au mode inactif.
- Appuyez sur le bouton lorsque le robot est en mode veille pour commencer le nettoyage.
- Appuyez sur le bouton pour mettre le robot en pause pendant son fonctionnement.

### 2 Boutons de Direction

A. “” Boutons:

Appuyez sur ce bouton pour faire avancer le robot.

B. “” Boutons:

Appuyez sur ce bouton en mode travail pour passer à la puissance d'aspiration « super forte ».

C. “” Boutons:

Appuyez sur ce bouton pour faire tourner le robot vers la gauche.

D. “” Boutons:

Appuyez sur ce bouton pour faire tourner le robot vers la droite.

### 3 Bouton Recharge

- Appuyez sur le bouton et le robot retournera à la station d'accueil pour être rechargé.
- Lorsque l'unité principale est sur la station de charge, double-cliquez sur le bouton de retour pour définir l'heure actuelle comme l'heure de démarrage quotidienne programmée.
- Lorsque l'unité principale est sur la station de charge, appuyez trois fois sur le bouton de retour pour annuler le paramètre programmé.

### 4 Bouton Mode Classique

Appuyez sur ce bouton pour lancer le nettoyage du robot lorsqu'il est en mode veille.

### 5 Bouton Mode Point

Bouton de puissance d'aspiration maximale: Pendant le nettoyage, en cas de poussière importante, appuyez sur ce bouton pour augmenter la puissance d'aspiration. Appuyez à nouveau pour revenir au mode normal.

### 6 Bouton Mode Border

Appuyez sur ce bouton pour lancer le nettoyage des bords lorsque le robot est en mode veille.



Remarque: Installez deux piles de type AAA/R03 dans la télécommande. Retirez les piles si la télécommande n'est pas utilisée pendant une longue période.

## Composition du Produit

### Spécifications du produit

Article	Spécification
Dimensions totales	310x310x76mm
Poids net	2.15kg
Type de batterie	Li-ion
Type de chargement	Chargement automatique / Chargement manuel
Capacité du bac à poussière	0.3L
Modes de nettoyage	Auto, Ponctuel, MAX, Bord, Programmation quotidienne
Temps de chargement	<300mins
Type de bouton du corps principal	Bouton mécanique

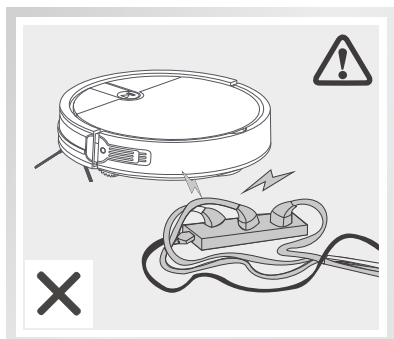
**Remarque:**

La société se réserve le droit de décision finale sur l'interprétation de ces termes et conditions.

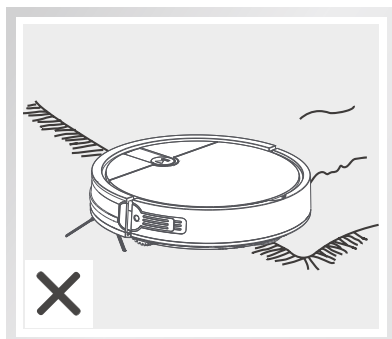
## Fonctionnement du Produit

### Précautions

Le robot peut sauter certaines zones en raison de la complexité de l'environnement domestique. Pour de meilleurs résultats, nous vous suggérons de l'utiliser comme une routine quotidienne et de dégager les obstacles sur le sol avant de démarrer le robot.



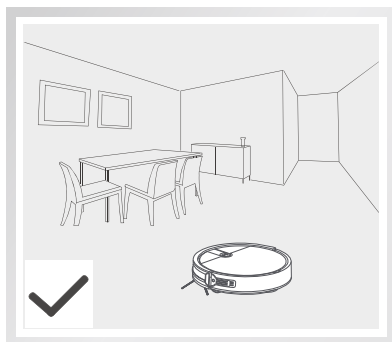
Veillez garder les cordons d'alimentation et autres objets susceptibles d'emmêler le robot à l'écart avant le nettoyage.



Veillez replier les bords des tapis avant le nettoyage.

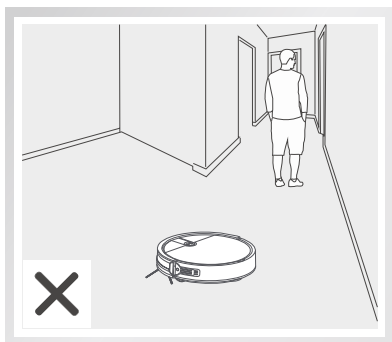


Pour éviter les obstructions pendant le nettoyage, veuillez ranger les meubles avec soin.

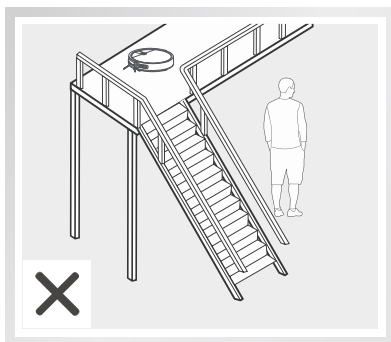


## Fonctionnement du Produit

### Précautions



Veillez ne pas rester dans des endroits étroits comme le seuil de porte ou le couloir pour éviter de bloquer le robot et de sauter certaines zones.



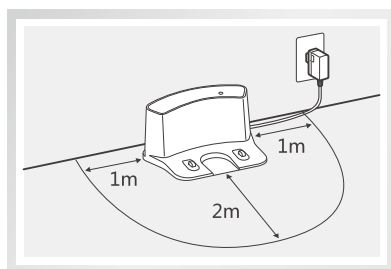
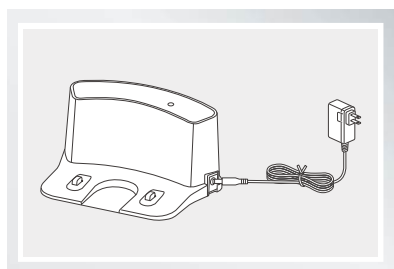
Veillez ne pas rester en bas lorsque le robot travaille à l'étage pour éviter les blessures causées par des objets tombés.

## Fonctionnement du Produit

### Base de recharge

#### 1 Placement du deck de recharge

- Connectez l'adaptateur avec le deck de recharge.
- Placement du deck de recharge: placer le deck de recharge contre le mur horizontalement, pas d'objet autour dans un rayon d'un mètre et de deux mètres devant. Pas d'objet réfléchissant près du deck comme par exemple un miroir.
- Connectez l'alimentation.

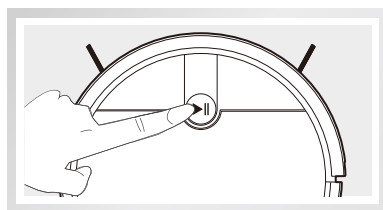


#### Rappel:

Quand le deck de recharge est connecté à l'adaptateur, un signal lumineux s'allumera.

#### 2 Allumer le robot

- Appuyez sur le bouton AUTO pendant 3 secondes pour l'allumer et maintenez-le enfoncé pendant 8 secondes pour l'éteindre.




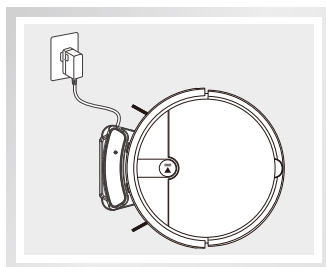
#### Remarque:

Après que le robot a terminé son travail, veuillez ne pas l'éteindre et le recharger complètement pour la prochaine utilisation.

## Fonctionnement du Produit

### 3 Recharge du robot

- Sous le Mode Auto, le robot cherchera automatiquement le deck de recharge quand la batterie sera faible.
- Sous le mode sélectionné, le robot commencera à chercher le deck de recharge quand le bouton respectif  sur la télécommande est pressé.



#### Rappel:

Veuillez garder le point de recharge propre dans la vie quotidienne pour éviter d'affecter l'effet de rechargement.



#### Rappel:

1. Lorsque vous utilisez le robot pour la première fois, veuillez le charger complètement pendant 12 heures. Une fois la charge terminée, le voyant restera allumé pendant un certain temps puis s'éteindra.
2. Veuillez laisser le robot sur le deck de rechargement au quotidien et assurez-vous que ce dernier est connecté au courant et que le bouton principal est allumé.
3. Si vous n'utilisez pas le robot pendant un moment, veuillez le recharger entièrement, éteignez l'alimentation et rangez-le dans un endroit bien ventilé.

## Fonctionnement du Produit

---

### Démarrage/Pause/Sommeil

**Mode veille:** La lumière d'affichage du corps principal est éteinte et le robot est à l'arrêt.

**Mode de sélection:** La lumière d'affichage du corps principal clignote et le robot est à l'arrêt.

**Mode nettoyage:** Le robot est en fonctionnement et la lumière d'affichage du corps principal reste allumée en permanence.

#### 1. Démarrage

- A. Appuyez et maintenez le bouton AUTO sur le corps principal pendant 3 secondes pour réveiller le robot.
- B. Appuyez sur le bouton AUTO du corps principal ou sur le bouton AUTO de la télécommande pour démarrer le robot.



**Remarque:**

Si le robot est en mode veille, appuyez sur le bouton AUTO du boîtier principal ou sur le bouton AUTO de la télécommande pour réveiller le robot et passer en mode de sélection. Appuyez à nouveau sur cette touche pour que le robot démarre automatiquement.

#### 2. Pause

Pour faire passer le robot du mode nettoyage au mode sélection, vous pouvez appuyer sur la touche AUTO sur le boîtier principal ou sur la touche AUTO de la télécommande pour mettre le robot en pause. mettre le robot en pause.

#### 3. Mode Veille

Le robot entrera automatiquement en mode veille s'il n'y a aucune action pendant 10 minutes.

## Fonctionnement du Produit

### Sélection des modes de nettoyage

Il y'a plusieurs modes convenant à différentes conditions de sol pour un nettoyage en profondeur. Vous pouvez choisir avec la télécommande.

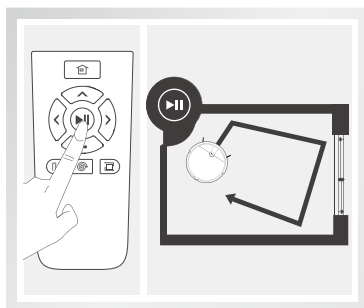
#### 1 Nettoyage de voitures

Le robot nettoiera une pièce automatiquement et ajustera son nettoyage en fonction de la situation.



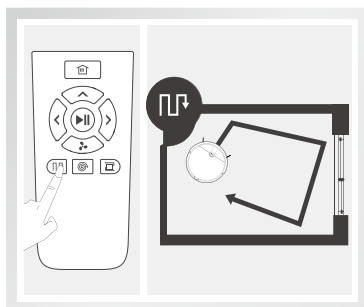
##### Rappel:

Appuyez sur la touche AUTO du robot ou sur la touche AUTO de la télécommande pour lancer le nettoyage automatique.




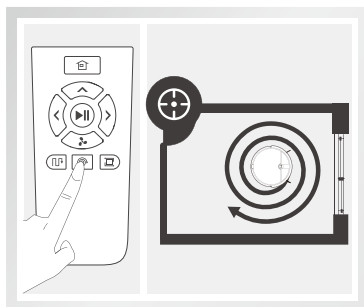
#### 2 Mode classique

Le robot nettoie en ligne droite et ne change de direction que lorsqu'il détecte ou rencontre ou rencontre des obstacles.




#### 3 Mode point

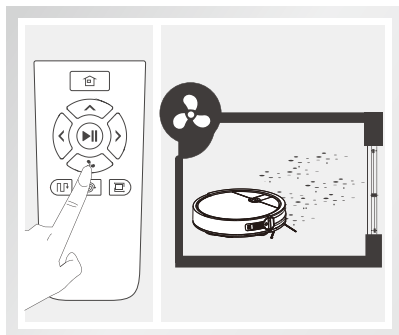
Placez le robot près de la zone souhaitée, puis pressez  sur le robot pour entrer en mode point.



## Fonctionnement du Produit

### 4 Mode MAX

Lorsque la machine est en mode de nettoyage automatique, appuyez sur la touche  de la télécommande pour commencer le nettoyage avec une puissance d'aspiration maximale.

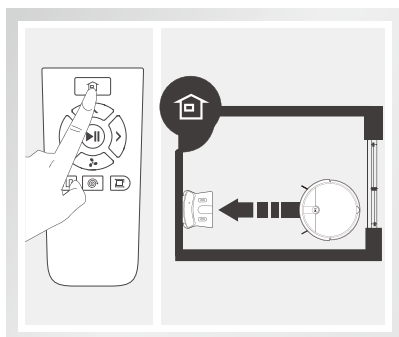


### 5 Recharge automatique


Le robot peut détecter une puissance plus faible pendant le processus de nettoyage et activer automatiquement le mode d'auto-charge et rechercher la station de recharge.

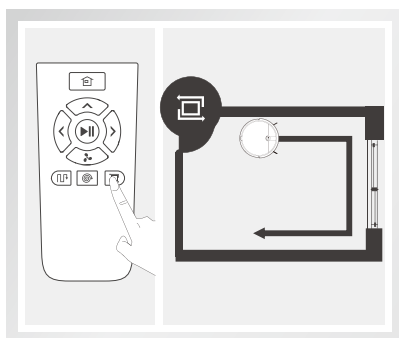


Pressez aussi  sur la télécommande active ce mode.



### 6 Mode border

Placez le robot à proximité de la zone requise, puis appuyez sur le bouton  de la télécommande pour lancer le nettoyage en mode bordure.



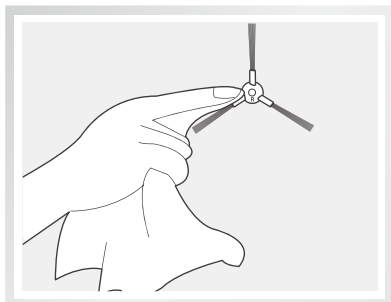
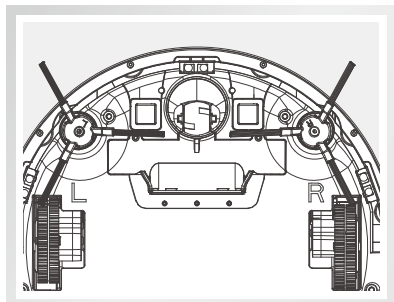
## Entretien

**Rappel:**

Veillez éteindre le robot et débranchez le deck de chargement quand vous nettoyez le robot et ces accessoires.

### Nettoyage de la brosse latérale

- Retirez la brosse latérale et essuyez-la avec un chiffon propre.
- Lors du remplacement de la brosse latérale, veuillez distinguer la position de montage correspondante de la brosse latérale "L" "R".

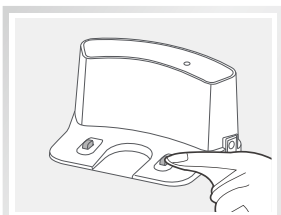
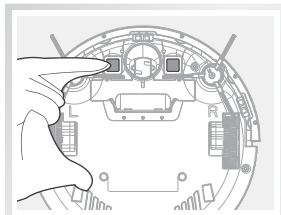
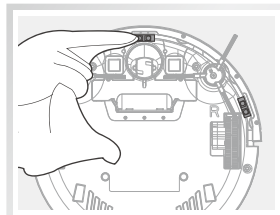


### Nettoyage capteur et point de contact de recharge

Veillez utiliser un outil de nettoyage ou tissu doux pour nettoyer le capteur ou point de contact de recharge comme illustré ci-dessous.

**Rappel:**

Le point de contact de recharge doit être nettoyé ponctuellement si contaminé.

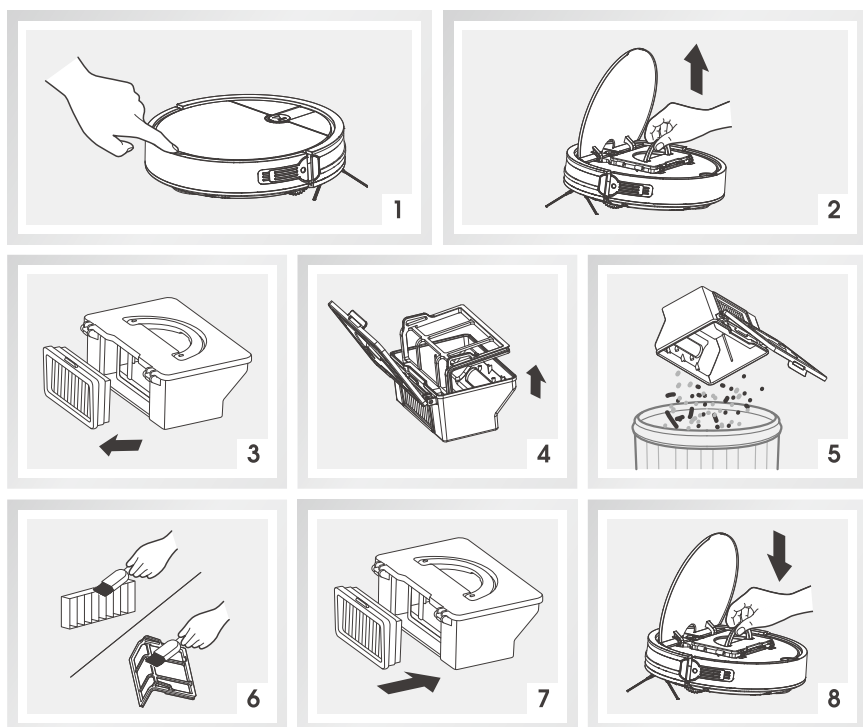


## Entretien

### Nettoyage de la poubelle et du filtre

Après chaque utilisation, veuillez vider et nettoyer la poubelle et le filtre à temps. Les étapes spécifiques sont les suivantes.

- Après avoir retiré la poubelle, vérifiez s'il y a des corps étrangers dans l'orifice d'aspiration et nettoyez-le en conséquence.
- Le filtre primaire et le coton-filtre sont des accessoires remplaçables. Après utiliser 15-30 jours, rincez-les à l'eau, ensuite séchez-les dans un endroit frais et ventilé. Ne les pressez pas.
- Le filtre haute performance peut être nettoyé en tapotant et il ne peut pas être lavé à l'eau.



## Entretien

---

### Remplacement des accessoires régulièrement

Accessoires	Entretien	Remplacement
Bac à poussière	Après chaque utilisation	N/A
Filtre	Hebdomadaire (deux fois par semaine si animaux)	Bimensuel
Brosse sur les côtés	Hebdomadaire	Dépend
Deck de recharge	Hebdomadaire	N/A

## Dépannage

### Liste des codes d'erreur

Lorsque le robot rencontre des problèmes de routine, un bip vous le rappellera.

- Signal sonore bref

N°	Signal sonore	Cause	Solution
01	•	Les roues ou les brosses latérales ne fonctionnent pas	Vérifiez les roues ou les brosses latérales
02	• •	Panne du capteur d'évitement ou du capteur du pare-chocs	Nettoyez le capteur d'évitement et secouez légèrement le pare-chocs, recherchez la présence de corps étrangers
03	• • •	Le corps principal se bloque	Déplacez le corps principal et recommencez



#### Remarque:

Si les solutions ci-dessus ne résolvent pas le problème, veuillez essayer ce qui suit :

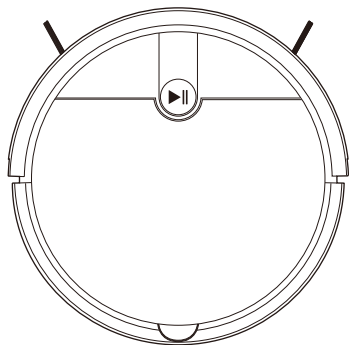
1. Tout d'abord, appuyez sur le bouton AUTO et maintenez-le enfoncé pendant 8 secondes pour éteindre le robot, puis appuyez sur le bouton AUTO et maintenez-le enfoncé pendant 3 secondes pour allumer le robot.
2. Si le redémarrage du robot ne résout toujours pas le problème, veuillez envoyer la machine au centre de réparation après-vente pour réparation.



# ILIFE-V2

Aspiradora Robótica

## Manual de Usuario



Para obtener información más detallada,  
por favor visite: [www.iliferobot.com](http://www.iliferobot.com)

ILIFE



Estimado Cliente,

¡Gracias por comprar la Aspiradora Robótica ILIFE V2!

Usted se ha unido a millones de personas que limpian con robots, ¡la forma más inteligente de hacerlo!

Por favor, tómese unos momentos para leer este manual y familiarícese con su robot para obtener el mejor rendimiento. Si encuentra algún problema con su robot, no dude en contactar con nuestro servicio de atención al cliente o visitar nuestra página web en [www.iliferobot.com](http://www.iliferobot.com) para obtener más ayuda. Manténgase conectado con nosotros en "X" para disfrutar de estos beneficios exclusivos:

- Obtenga soporte personalizado para su robot específico, incluyendo respuestas a sus preguntas, consejos de mantenimiento, demostraciones en video, chat en vivo y más.
- Reciba actualizaciones de productos y otra información valiosa, sea de los primeros en descubrir nuevos robots, descuentos exclusivos y promociones especiales.

Conéctese con nosotros ahora en

X: [https://x.com/ilife\\_Global](https://x.com/ilife_Global)

¡Disfrute de una limpieza integral todos los días! Saludos cordiales,  
ILIFE Innovation

## ILIFE Servicio al Cliente



[warranty\\_repair\\_EU@iliferobot.com](mailto:warranty_repair_EU@iliferobot.com) (Europe)

## Índice de Contenidos

<b>Instrucciones de Seguridad</b> .....	3
<b>Composición del Producto</b> .....	5
Lista de accesorios .....	5
Máquina principal .....	6
Anatomía del robot .....	7
Canasta de polvo .....	8
Base de carga .....	8
Mando a distancia .....	8
Especificaciones del producto .....	10
<b>Operación del Producto</b> .....	11
Atenciones .....	11
Base de carga .....	13
Comienzo/Pausa/Dormir .....	15
Selección de modos de limpieza .....	16
<b>Mantenimiento del Producto</b> .....	18
Limpieza de cepillo lateral .....	18
Limpiando el sensor y conector de carga .....	18
Limpieza del depósito de polvo y del filtro .....	19
Sustituya los accesorios regularmente .....	20
<b>Solución de problemas</b> .....	21
Códigos de error .....	21

## Instrucciones de Seguridad

### Advertencias

1. Este robot no debe ser utilizado por niños menores de 8 años o personas con discapacidad mental, a menos que estén bajo supervisión. No permita que los niños se sienten en el robot o lo usen como juguete.
2. Atienda al robot de inmediato si ocurre un error durante la limpieza. Antes de usar el robot, retire todos los cables de alimentación y objetos pequeños del suelo. Enrolle los flecos de las alfombras y asegúrese de que las cortinas y los manteles no estén en contacto con el suelo.
3. Si hay escalones o escaleras colgantes, pruebe si el robot puede detectarlos antes de usarlo. Si no, coloque barreras para evitar caídas y asegúrese de que las barreras no causen daño a las personas.
4. Siga las instrucciones de este manual de usuario. Use solo accesorios autorizados o recomendados por la fábrica.
5. Asegúrese de que el voltaje de la base de carga sea compatible con el voltaje del suministro de energía.
6. Use el robot solo en interiores y en un entorno doméstico. No lo use en exteriores, ni en espacios comerciales o industriales.
7. Use solo el adaptador y la base de carga autorizados por el fabricante. No use baterías no recargables. Consulte la sección "Especificaciones del Producto" para obtener detalles sobre los estándares de la batería.
8. No sumerja el robot en agua y no lo enjuague bajo el grifo.
9. No limpie el robot con un paño empapado.
10. No use el robot en pisos con agua estancada.
11. No use el robot cerca de fuego u objetos frágiles.
12. No acerque la ropa, el cabello humano, los dedos u otras partes del cuerpo a la abertura o al mecanismo en funcionamiento del robot.
13. No use el robot en pisos con piedras o papel para evitar que se atasque.
14. No use el robot en áreas con materiales inflamables, como gasolina, tóner, etc. Tampoco use el robot para limpiar objetos en combustión, como cigarrillos, cenizas o fósforos, ni cualquier cosa que pueda causar un incendio.
15. No use una base de carga dañada.
16. No levante el robot ni la base de carga por el cable de alimentación, y mantenga los cables de alimentación alejados del calor y evite que queden atrapados en puertas, bordes afilados o esquinas.
17. Los cables de alimentación dañados deben ser reparados por el servicio de reparación del fabricante o por técnicos certificados.
18. Instale el contenedor de polvo y los filtros correctamente antes de usar el robot.

## Instrucciones de Seguridad

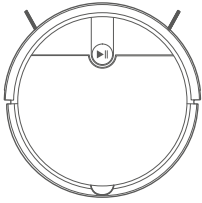
---

19. No use el robot en habitaciones donde los bebés estén durmiendo.
20. No use cables de alimentación o bases de carga dañados para recargar el robot.  
No use el robot si está dañado por una caída o por inmersión en agua.
21. Apague el interruptor de encendido si el robot no se va a usar durante mucho tiempo.
22. Apague el interruptor de encendido antes de limpiar o mantener el robot.
23. Desenchufe los cables de alimentación de la base de carga antes de limpiar o mantener el robot.
24. Retire la batería antes de desechar el robot.
25. El robot y la batería deben ser desechados de acuerdo con las regulaciones locales de seguridad.
26. No incinere el robot para evitar la explosión.
27. Este equipo debe instalarse y operarse con una distancia mínima de 20 cm entre el radiador y su cuerpo.
28. Cualquier cambio o modificación no aprobado expresamente por el titular de este dispositivo podría anular la autoridad del usuario para operar el dispositivo.
29. Siga las instrucciones de este manual de usuario. El fabricante no es responsable de los daños causados por el uso indebido.

## Composición del Producto

---

### Lista de accesorios



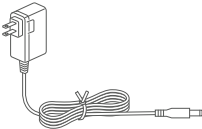
Cuerpo principal



Base de carga



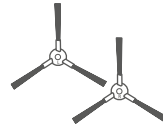
Mando a distancia



Adaptador de corriente



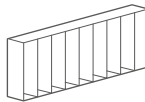
Herramienta de limpieza



Cepillo lateral extra X2



Manual de usuario



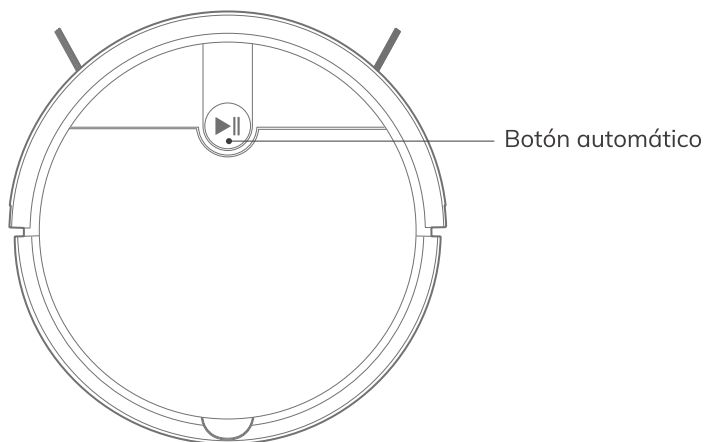
Filtro de elevador de desempeño



Batería AAA X2

## Composición del Producto

### Máquina principal

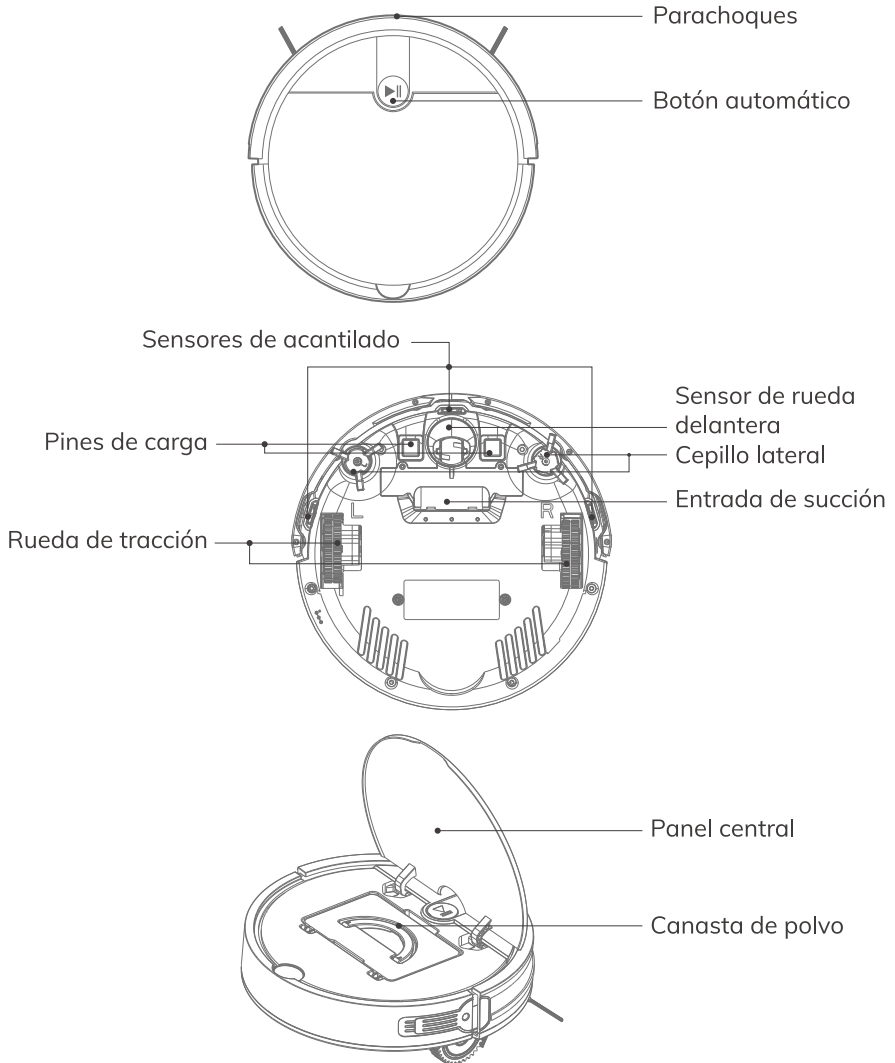


Botón	Estado del robot	Operación	Descripción funcional
Botón automático	Apagado	Mantenga presionado durante 3 segundos	Encender el robot
	Encendido	Presione el botón una vez	Iniciar/ Detener la limpieza
		Presione el botón dos veces	Ingresa al modo de recarga
		Mantenga presionado durante 8 segundos	Apagar el robot

Indicador de Potencia	Verde	Electricidad $\geq 15\%$
	Naranja	Electricidad $\leq 15\%$
	Rojo	Falla o anomalía

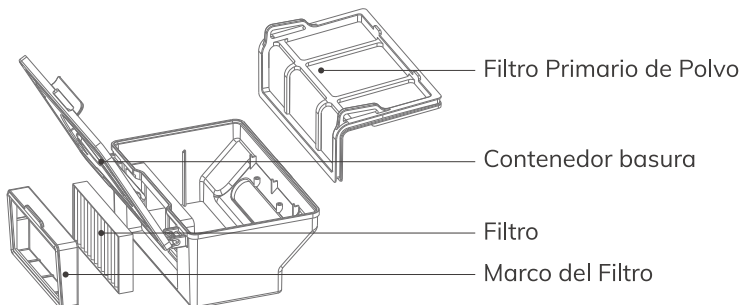
## Composición del Producto

### Anatomía del robot

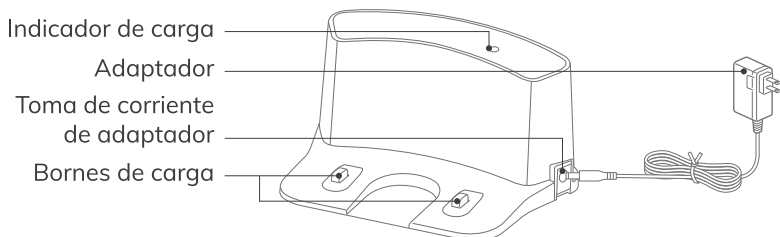


## Composición del Producto

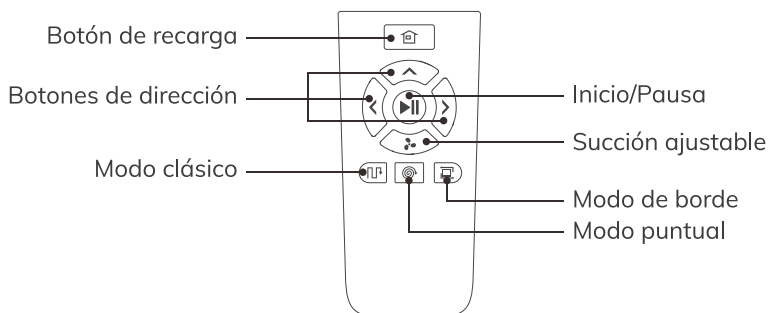
### Canasta de polvo



### Base de carga



### Mando a distancia



## Composición del Producto

### 1 Inicio/Pausa

- Pulse el botón para cambiar el robot del modo reposo al modo inactivo.
- Pulse el botón cuando esté en modo inactivo para iniciar la limpieza.
- Pulse el botón para pausar el robot durante su funcionamiento.

### 2 Botones de dirección

#### A. “^” botón

Presione el botón para mover el robot hacia adelante.

#### B. “⦿” Succión ajustable

Pulse este botón en el modo de trabajo para cambiar a la potencia de succión «superfuerte».

#### C. “<” botón

Pulsa este botón para hacer que el robot tuerza a la izquierda.

#### D. “>” botón

Pulsa este botón para hacer que el robot tuerza a la derecha.



Aviso: “^” no van a funcionar cuando el robot está trabajando.

### 3 Botón de recarga

- Pulse el botón y el robot volverá a la base de carga para recargarse.
- Cuando la unidad principal esté en la base de carga, haga doble clic en este botón para establecer la hora actual como la hora de inicio programada diaria.
- Cuando la unidad principal esté en la base de carga, presione tres veces este botón para cancelar la configuración programada.

### 4 Modo clásico

Pulse este botón para iniciar la limpieza del robot cuando esté en modo de espera.

### 5 Modo puntual

Presione el botón para comenzar a limpiar en el modo puntual.

### 6 Modo de borde

Presione el botón una vez para entrar en la limpieza de bordes cuando el robot está en el modo seleccionado.



Aviso: Inserte dos pilas tipo AAA en el mando a distancia.  
Retires las baterías si no va a usar el mando por un largo periodo de tiempo.

## Composición del Producto

### Especificaciones del producto

Artículo	Especificación
Dimensiones generales	310x310x76mm
Peso neto	2.15kg
Tipo de batería	Li-ion
Tipo de carga	Auto carga / Carga manual
Capacidad de cubo de basura	0.3L
Modo de limpieza	Auto, Puntual, MAX, Borde, Programación diario
Duración de carga	<300mins
Tipo de botón del cuerpo principal	Botones mecánicos

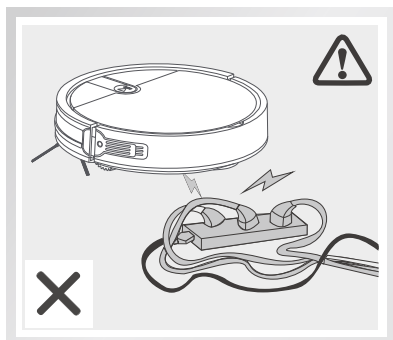
**Nota:**

La empresa se reserva el derecho de decisión final sobre la interpretación de estos términos y condiciones.

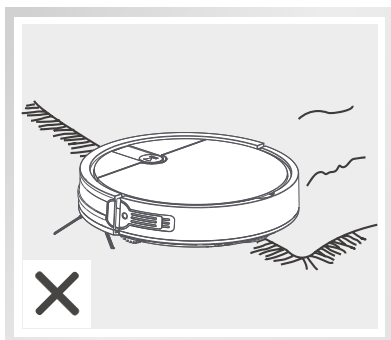
## Operación del Producto

### Atenciones

El robot puede saltarse algunas áreas debido a la complejidad del entorno del hogar. Para lograr el mejor resultado, sugerimos usarlo como una rutina diaria y despejar los obstáculos en el piso antes de comenzar con el robot.



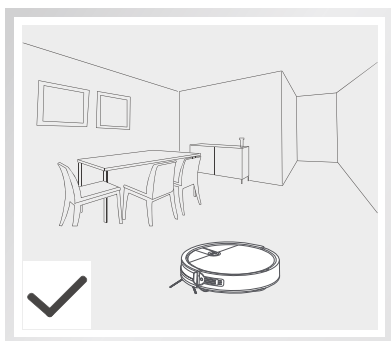
Por favor, retire los cables de alimentación y otros objetos que puedan enredar al robot antes de la limpieza.



Por favor, pliegue los bordes de las alfombras antes de la limpieza.

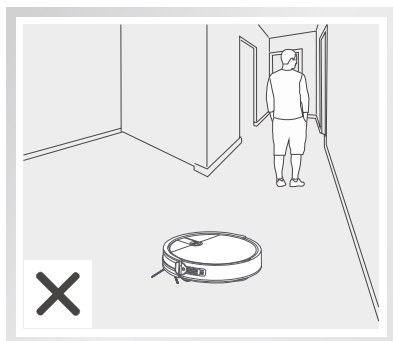


Para evitar que se atasque durante la limpieza, arregle los muebles ordenadamente.

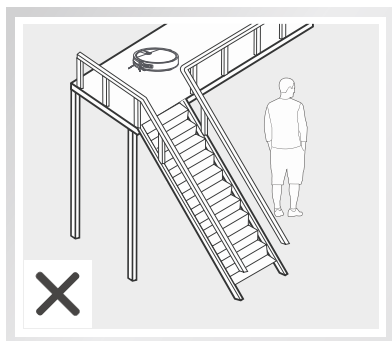


## Operación del Producto

### Atenciones



No se coloque en lugares estrechos como el umbral de la puerta o el pasillo para evitar bloquear al robot y que se salte algunas áreas.



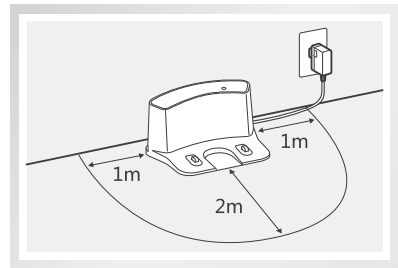
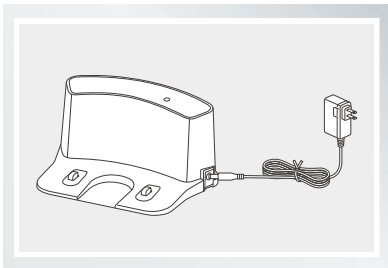
No permanezca en el piso de abajo cuando el robot esté trabajando en el piso de arriba para evitar lesiones por objetos que puedan caer.

## Operación del Producto

### Base de carga

#### 1 Posicionar base de recarga

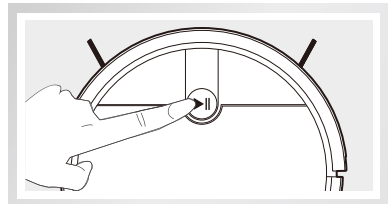
- Conecte el adaptador con la base de recarga.
- Posicionamiento base de recarga: coloque la base de recarga horizontalmente contra la pared. No debe haber objetos a menos de 1m a izq. y der. y 2m hacia adelante. Tampoco debe haber objetos reflejantes alrededor (espejos)
- Conecte la corriente.



**Recordatorio:** Cuando la base está conectada al adaptador, la señal de luz de la misma se encenderá.

#### 2 Encienda el robot


- Mantenga presionado el botón AUTO durante 3 segundos para encenderlo, y manténgalo presionado durante 8 segundos para apagarlo.

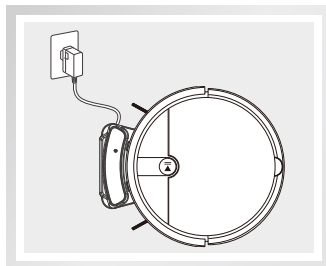


**Recordatorio:** Al terminar el trabajo, no apague el robot; manténgalo recargando hasta el próximo uso.

## Operación del Producto

### 3 Recargando el robot

- En el Modo Auto; con batería a baja el robot buscará automáticamente la base de recarga.
- En el modo seleccionado, presionando este botón  en el control remoto, el robot buscará la base de recarga.



**Recordatorio:** Por favor mantenga limpios los contactos de recarga diariamente, para evitar problemas de recarga.



**Reminder:**

1. Cuando use el robot por primera vez, cárguelo completamente durante 12 horas. Una vez que la carga esté completa, la luz indicadora permanecerá encendida durante un tiempo y luego se apagará.
2. Por favor deje el robot recargando diariamente; asegúrese que la base esté conectada a la electricidad.
3. Si no va a usar el robot por mucho tiempo, cárguelo totalmente, apáguelo y guárdelo en un lugar seco y bien ventilado.

## Operación del Producto

---

### Comienzo/Pausa/Dormir

**Modo de reposo:** La luz de la pantalla del cuerpo principal está apagada y el robot está parado.

**Modo de selección:** La luz de la pantalla principal parpadea y el robot está parado.

**Modo limpieza:** El robot está en funcionamiento, y la luz de la pantalla del cuerpo principal permanece encendida constantemente.

#### 1. Comienzo

- A. Mantenga pulsado el botón AUTO del cuerpo principal durante 3 segundos para despertar al robot.
- B. Pulse el botón AUTO del cuerpo principal o el botón AUTO del mando a distancia para poner en marcha el robot.



**Recordatorio:**

Si el robot está en modo reposo, pulsa el botón AUTO del cuerpo principal o el botón AUTO del mando a distancia para despertar al robot y entrar en el modo de selección. Vuelva a pulsarlo y el robot se pondrá en marcha automáticamente.

#### 2. Pause

Cuando el robot esté trabajando, puede pausar el robot presionando el botón AUTO del robot o el botón AUTO del mando a distancia para poner el robot en pausa.

#### 3. Modo de Suspensión

El robot entrará automáticamente en modo de suspensión si no se realiza ninguna acción durante 10 minutos.

## Operación del Producto

### Selección de modos de limpieza

Hay varios modos de limpieza para diferentes condiciones de piso para limpieza profunda. Podrá elegir con el control remoto.

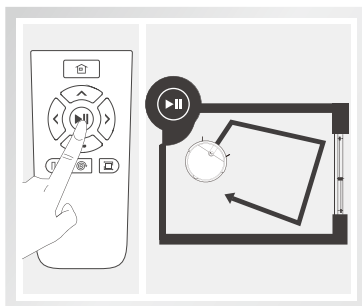
#### 1 Limpieza Automática

El robot limpiará una habitación automáticamente y ajustará su limpieza en función de la situación.



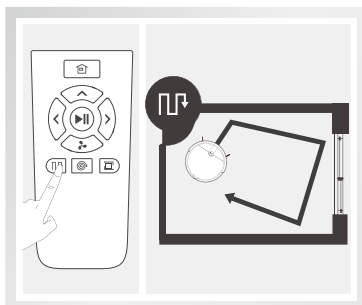
**Recordatorio:**

Pulse el botón AUTO del robot o el botón AUTO del mando a distancia para iniciar la limpieza automática.




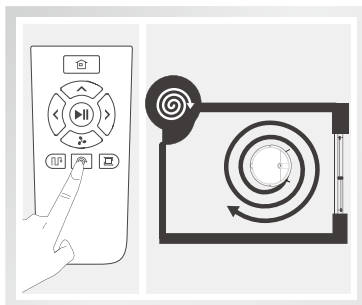
#### 2 Modo Clásico

El robot realiza una limpieza en línea recta y sólo gira su dirección hasta que detecta o encuentra obstáculos.




#### 3 Modo Puntual

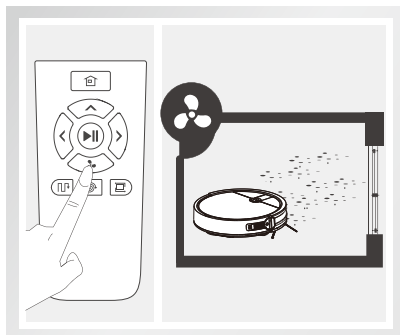
Ubique el robot cerca del área requerida y presione  en el robot para trabajar a Modo Puntual.



## Operación del Producto

### 4 Modo MAX


Cuando la máquina está en modo de limpieza automática, presione el botón  en el control remoto para comenzar la limpieza con la máxima potencia de succión.

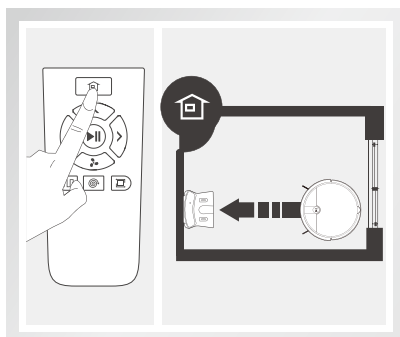


### 5 Carga Automática


El robot puede sentir batería baja durante el proceso de limpieza y automáticamente activa el Modo de Recarga en la Base, buscando la base de recarga.

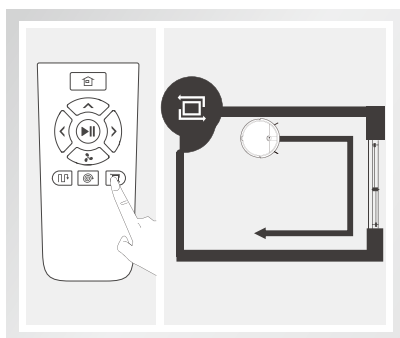


Presione  en el robot mandar al robot a activar ese modo.



### 6 Modo de Bordes

Coloque el robot cerca de la zona deseada y, a continuación, pulse el botón  del mando a distancia para iniciar la limpieza en modo borde.



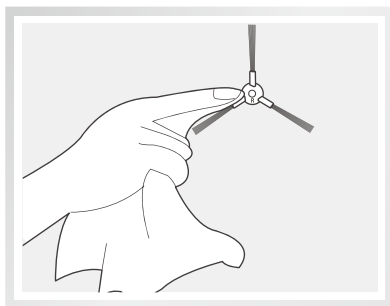
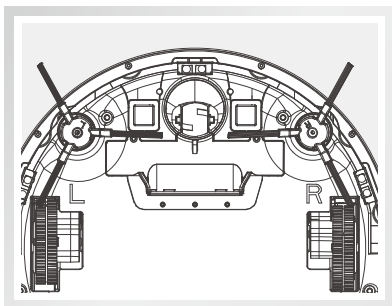
## Mantenimiento del Producto



Recordatorio: Apague el robot y desconecte la fuente de alimentación de la base de carga antes darle mantenimiento a su robot.

### Limpieza de cepillo lateral

- Retire los cepillos laterales y los limpie con un paño limpio.
- Cuando reemplace el cepillo lateral, por favor distinga la posición de instalación correspondiente del cepillo lateral "L" "R".

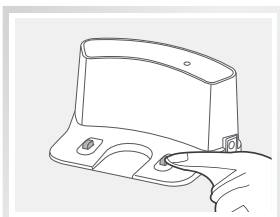
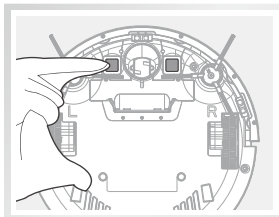
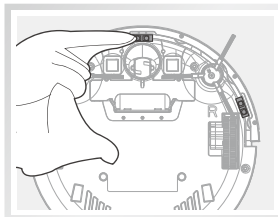


### Limpiando el sensor y conector de carga

Por favor, para limpiar el sensor o los conector de carga utilice una herramienta de limpieza o un paño suave, como se ilustra abajo.

#### Recordatorio:

El conector de carga debe limpiarse regularmente si se encuentra contaminado o sucio.

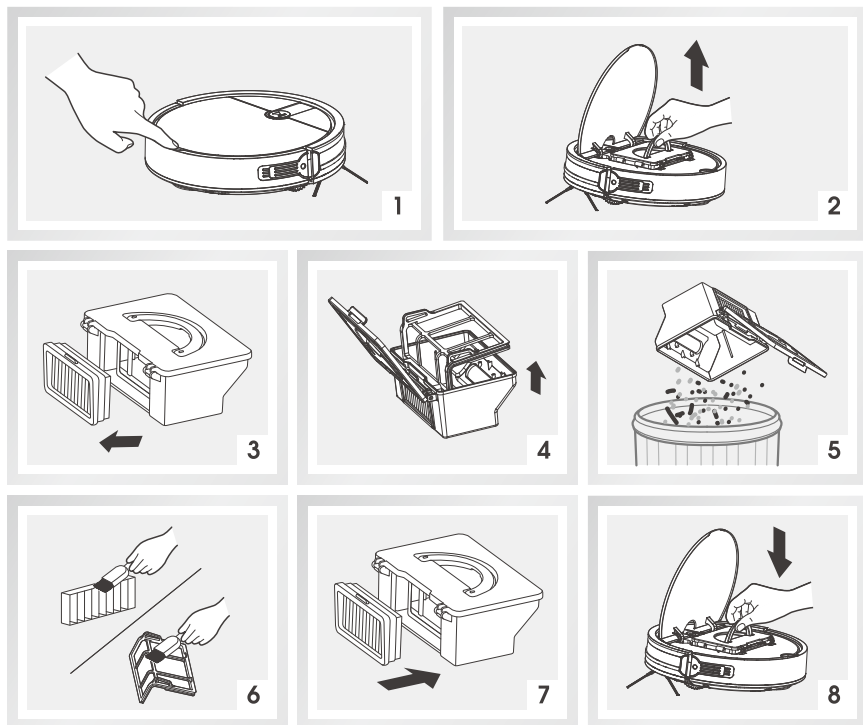


## Mantenimiento del Producto

### Limpieza del depósito de polvo y del filtro

Por favor limpie el depósito de polvo y el filtro después de cada uso como se indica abajo.

- Remueva el depósito de polvo y revise si hay algún desecho en la unidad de ventilación; después límpielo.
- El filtro primario es reemplazable y debe lavarse con agua después de un uso de 15-30 días; después de lo cual se debe secar en un lugar fresco y bien ventilado. Retorcido prohibido.
- El filtro superior no se puede limpiar con agua. Se debe limpiar agitándolo.



## Mantenimiento del Producto

---

### Sustituya los accesorios regularmente

Accesorios	Mantenimiento	Sustitución
Depósito polvo	Después de cada uso	N/A
Filtro	Semanalmente (Dos veces por semana si hay mascotas)	Bimestral
Cepillo lateral giratorio	Semanalmente	Depende
Base de recarga	Semanalmente	N/A

## Solución de problemas

### Códigos de error

Cuando el robot no funcione correctamente, se lo recordará mediante pitido.

- Tono corto

N.	Tono	Motivo	Solución
01	•	Ruedas o cepillos laterales no funcionan	Compruebe las ruedas
02	• •	Fallo en el sensor de desnivel o el parachoques	Limpie el sensor de desnivel y sacuda suavemente el parachoques, compruebe si hay cuerpos extraños
03	• • •	El cuerpo principal se atasca	Mueva el cuerpo principal y vuelva a empezar



#### Recordatorio:

Si las soluciones anteriores no resuelven el problema, por favor intente lo siguiente:

1. En primer lugar, mantenga pulsado el botón AUTO durante 8 segundos para apagar el robot y, a continuación, mantenga pulsado el botón AUTO durante 3 segundos para encenderlo.
2. Si al reiniciar el robot sigue sin solucionarse el problema, envíe la máquina al centro de postventa para su reparación.

