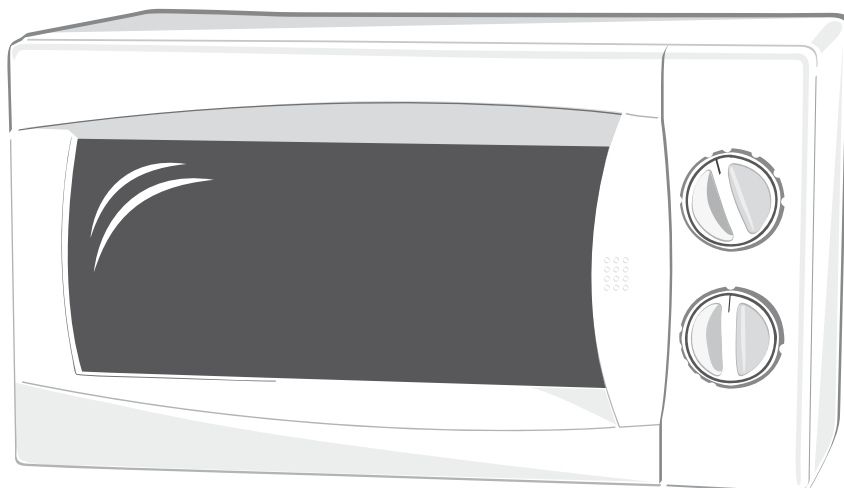


Microwave Oven

INSTRUCTION MANUAL

EN



SENCOR[®]

SMW 2917

Prior to installation and use of the microwave oven, please read the user's manual thoroughly.
Store the user's manual in a safe place for future use.

CONTENTS

Safety measures to prevent possible risks of exposure to microwave energy	2
Technical specifications	2
Before you contact a repairman	3
Installation	3
Instructions for grounding	3
Radio wave interference	3
Important safety instructions	4
Basics of cooking in a microwave oven	4
Kitchenware guide	5
Name of parts	5
Control panel	6
Microwave oven maintenance	7
Cleaning	7
Handling instructions for the disposal of used packaging material	8
Liquidation of used electrical and electronic devices	8

SAFETY MEASURES TO PREVENT POSSIBLE RISKS OF EXPOSURE TO MICROWAVE ENERGY

1. It is important that you neither damage or amend the safety locks of the microwave oven door.
2. Do not block the front part and door of the microwave oven with any sort of object and make sure dirt or remnants of cleaning solutions do not build up on parts of the microwave oven with sealing.
3. Do not use the microwave oven in case it is damaged. It is extremely important that the oven door close immediately in order to avoid damaging the following parts:
 - door (to avoid deformation),
 - door and lock hinges damaged or loosened),
 - door sealing and other parts
4. The oven only be setup or repaired by a qualified service technician.

TECHNICAL SPECIFICATION

Voltage and input:	230 V ~ 50 Hz, 1200W
Output	700 W
Frequency:	2450 MHz
Exterior dimensions:	262 mm (H) x 454 mm (W) x 330 mm (D)
Volume	17 litres
Cooking:	Rotating plate {Ø 245 mm}
Weight:	approx . 10,5 kg
Noise level:	58 dB (A)

The declared noise emission level for this appliance is 58 dB(A), which represents level A of the acoustic power relative to the reference acoustic power of 1 pW.

NOTE: The aforementioned data is subject to change.

BEFORE YOU CONTACT A REPAIRMAN

In case the oven is not working:

1. Make sure the oven is connected to the electric power supply. In case it is not, remove the power cord from the electric socket, wait 10 seconds and insert it once again.
2. Make sure a power failure has not occurred that may have caused an outage in fuses. In case the aforementioned events are in order, test the electric socket with another device.
3. Make sure you have setup the correct values on the control panel and have turned on the timer.
4. Make sure the door has been closed immediately with the help of the safety lock door system. In the opposite case, the oven will not function.

IN CASE THE AFOREMENTIONED STEPS DO NOT HELP, CONTACT A QUALIFIED REPAIRMAN. DO NOT TRY TO AMEND OR REPAIR THE OVEN ALONE.

INSTALLATION

1. Make sure all of the packaging material has been cleared from the interior space of the oven such as plastic bags, polystyrene etc.
2. **WARNING:** Check, whether or not the oven has been damaged in any way, for ex. the door does not fit properly or is dented, the sealing and other parts are damaged, destroyed or the hinges and door locks are loose or the interior of the oven and doors are dented. In case you discover any damages, do not use the oven and contact a qualified repairman.
3. The microwave oven must be placed on a flat, stable surface, which can bear its weight even with the food contents inside.
4. Do not place the oven close to sources of heat, in places with higher humidity or near flammable materials.
5. To insure proper function the oven must have appropriate ventilation. Leave 20 cm of free space above the upper surface of the oven, 10 cm behind the rear part and 5 cm along the sides. Do not block the oven in any way. Do not remove the oven stands.
6. **The product is designed for use in open space, not as a built-in appliance.**
7. Do not use the oven without installing the rotating plate, carrier plate and power system.
8. Make sure, the power cable is not damaged, placed under the lower part of the oven or in contact with hot or sharp surfaces.
9. The electric socket must be easily accessible in case of immediate need to remove the electric cord.
10. Do not use the oven outdoors.

INSTRUCTIONS FOR GROUNDING

This appliance must be grounded. This oven is equipped with an electric cord, which has a grounding wire with a grounding plug. The plug must be inserted into the electric socket, which has been adequately installed and grounded. In case of power failure, grounding decreases the risk of being electrocuted - electricity is led through the grounding wire in case of an outage. We recommend the oven be connected to an independent electrical circuit. Using high voltage is dangerous and can cause fire or a different accident resulting in damage to the oven.

WARNING Incorrect socket grounding can lead to the risk of being electrocuted.

- Note**
1. In case you have any questions concerning grounding or electrical instructions, consult a qualified electrician or repairman.
 2. Neither the manufacturer nor the dealer can accept any liability for damage to the oven or personal injury resulting from failure to observe the electrical connection procedures.

RADIO WAVE INTERFERENCE

When using rge oven, your radio, television or similar receivers may be disturbed.

In case of interference, the following measures may be used to restrict it:

1. Maintaining the door and sealing of the oven surface clean.
2. Re-directing the radio or television antenna receiver.
3. Moving the microwave oven further from the receiver.
4. Connecting the microwave oven to a different socket with an independent electrical circuit.

IMPORTANT SAFETY INSTRUCTIONS**READ THOROUGHLY AND STORE FOR FUTURE USE.**

Basic safety measure should be respected when using the microwave oven including the following:

- This appliance is not intended for use by persons (including children) with reduced physical, sensory or mental capabilities, or lack of experience and knowledge, unless they have been given supervision or instruction concerning use of the appliance by a person responsible for their safety.
- Children should be supervised to ensure that they will not play with the appliance.

WARNING: To decrease the risk of fire, electrocution, personal injuries or exposure to an increased amount of microwave energy:

1. Read all instructions prior to use.
2. Use this appliance only for the purposes for which it has been designed as defined in this manual. This oven is exclusively designed for heating, cooking or drying food. It is not designed for industrial or laboratory use. Do not use corrosive chemicals on this appliance.
3. Do not turn the oven on in case it is empty.
4. Do not use this oven in case the electric cord or plug is damaged, in case it does not function correctly, if it is damaged or has been dropped on the ground. Provided the electric cord is damaged, it must be replaced by an authorised service centre or other similar qualified person in order to prevent a dangerous situation from occurring.
5. **WARNING:** In case the door or the door sealing is damaged, the oven must not be used until repaired by an authorised service centre or trained individual.
6. **WARNING:** It is dangerous for any other person other than an authorised service or trained individual to execute any repairs or maintenance leading to the removal of the cover, which insures protection from microwave energy radiation.
7. **WARNING:** Use of oven by children without supervision permitted provided the substantial instructions have been given, so that the child is able to use the oven in a safe manner and can understand the dangers of improper use.
8. To prevent the risk of fire inside the oven:
Only use dishes, which are suitable for microwave use.
Heat the food in dishes made from plastic or paper, check the oven regularly for fire.
9. In case of smoke, turn the appliance off and remove the plug from the socket. Leave the oven door closed in order to prevent the spread of possible fire.
10. Do not use the oven interior for storage. If the oven is not being used, do not leave paper material, kitchenware or food inside.
11. **WARNING:** Liquids or other foods must not be heated in closed dishes, as they have a tendency to explode.
12. Drinks heated in the microwave oven may lead to delayed boiling and thus one must be careful when handling the dish.
13. Do not fry food in the microwave oven. Hot oil may damage parts of the oven, dishes, or even cause skin burns.
14. Eggs in shells and whole hard-boiled eggs must not be heated in the microwave oven, as they may explode.
15. Pierce food with a thick skin prior to cooking, such as potatoes, squash, apples and chestnuts.
16. Prior to feeding a baby, the contents of a baby bottle and baby food need to be mixed or shook and the temperature must be checked to prevent burns.
17. Kitchenware can become hot as a result of heat transferred from the heated food. It will be necessary to use kitchen mitts in certain cases.
18. This product belongs to group 2 grade B ISM device. Definition of group 2 includes all ISM devices (industrial, scientific, medical), in which the radio-frequency generated is used in the form of electro-magnetic radiation to alter food while using spark protection. Grade B includes devices which are suitable for household purposes, connected to a low voltage socket as found in the household.

THE BASICS OF COOKING IN A MICROWAVE OVEN

1. Neatly arrange the food. Place the thickest pieces of food around the edge of the dish.
2. Do not prepare the food directly on top of the rotating plate. Always place the food into the appropriate dish prior to inserting into the oven.
3. Set the cooking time correctly. Use short times for cooking, which can be extended in case of need. When cooking food at high temperatures, smoke may form or the food may ignite.
4. Cover the food when cooking. By covering food, juice is prevented from splattering and the food is more evenly cooked.

Microwave Oven

SMW 2917

EN

- To increase the speed of cooking food, such as chickens and hamburgers, turn them over once while cooking. Large pieces of food, such as baked, must be turned over once at minimum.
- Similar types of food such as meat patties, need to be re-arranged while cooking from back to front and from the centre to the edge.

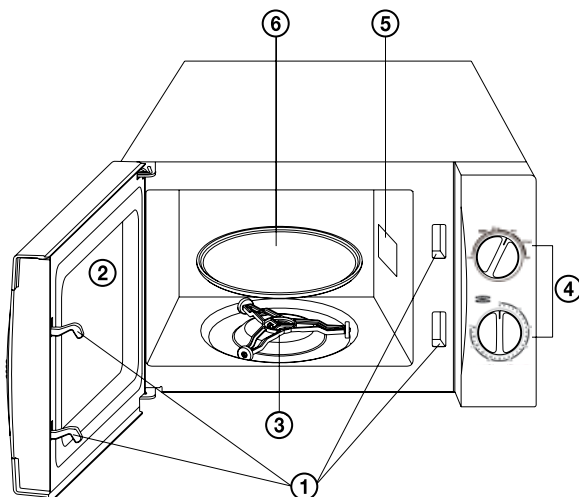
KITCHENWARE GUIDE

- The ideal type of dish for microwave use is a clear dish, which allows the microwaves to penetrate inside and heat the food.
- Microwaves can not penetrate through metal, hence metal dishes or bowls with a metal rim should not be used.
- Do not use recycled paper products for microwave use, which could contain small metals particles.
- Use round/oval dishes rather than square/rectangular ones, food in corners has a tendency to overcook.
- Dishes suitable for microwave use should be used in accordance with the instructions as provided by the manufacturer.

This general list will help you select the appropriate dishes.

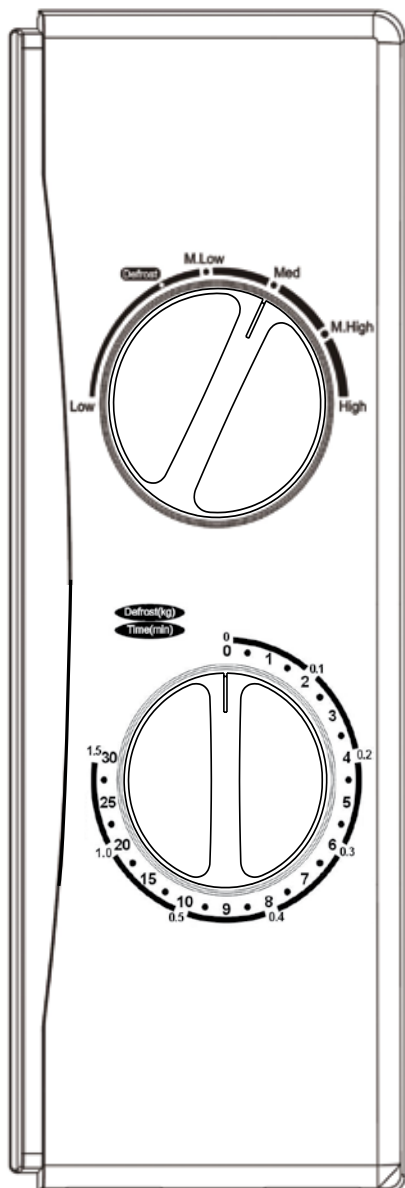
COOKING DISHES	Cooking in a microwave oven
Heat resistant glass	Yes
Normal glass	No
Heat resistant ceramics	Yes
Plastic dishes for microwave use	Yes
Paper towel	Yes
Metal trays	No
Metal stands	No
Aluminium foil & dishes made from foil	No

NAME OF PARTS



- Safety closing system
- Oven window
- Plate holder
- Control panel
- Wave guide
- Rotating glass plate

CONTROL PANEL



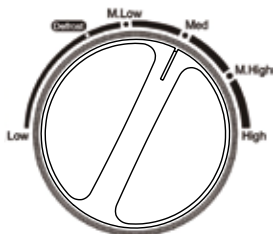
Microwave oven performance level setting
– see upper control button on the picture.

HIGH	100%
M.HIGH (medium high)	85%
MED (medium)	66%
M. LOW (medium low)	48%
DEFROST	40%
LOW	17%

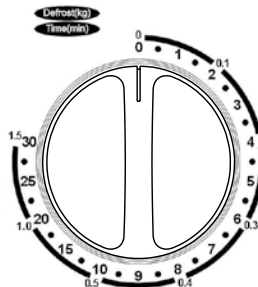
Timer (from 0 to 30 minutes)
– see lower control button on the picture.

MICROWAVE OVEN MAINTENANCE

Cooking programme setup: Place the food into the oven and close the door.



Control button to setup the performance level



Control button for setting up the required time 0-30 min. [Time(min)].
To defrost food, set the time according to the weight of the food [Defrost (kg)].

Firstly, set the required performance level and then select the required cooking time.

NOTE As soon as the cooking time has been set, the oven is turned on. Should you like to set the time to less than 5 minutes, turn the timer beyond 5 minutes and then back to setting up the required time.

WARNING In case you remove the food prior to completion of the set duration or in case the oven is not being used, ALWAYS SET THE TIMER BACK TO POSITION 0. In case you would only wish to pause the cooking (for ex. to turn over the food or mix it), open the microwave door.

MAINTENANCE AND CLEANING

Prior to cleaning the oven, always turn the oven off and remove the electric cord from the socket.

1. Maintain the interior space of the oven clean. If the oven walls are dirtied by food juices, wipe with a wet cloth. If the oven is heavily dirtied, you can use a weak solution of a neutral cleaning agent. Avoid using a spray or abrasive cleaning agents, which could lead to discolouration or bleaching of the surface.
2. The exterior part of the oven should be cleaned by a damp cloth. In order to prevent damage to the operational parts of the oven, make sure water does not enter the ventilation openings.
3. Clean the oven door and window on both sides, the door sealing and adjacent parts on a regular basis from dirt and remnants of food. We recommend using a weak solution of a neutral kitchen cleaning agent for cleaning. Do not use abrasive cleaning agents, gas or thinners for cleaning.
4. Do not allow the control panel to get wet. Clean it with a soft damp cloth. When cleaning the control panel, leave the oven door open to prevent turning it on by accident.
5. If the interior of the door and the adjacent parts become obscured by steam from food, clean using a soft cloth. This may occur as a result of using the oven in a place with higher humidity. It is a normal state.
6. It is necessary to occasionally remove the glass tray and clean it. Rinse the tray in warm soap water or in the dishwasher.
7. The rotating circle and bottom of the interior part if the oven should be cleaned on a regular basis to prevent an increase in noise. You can easily clean the bottom of the interior part of the oven with a weak solution of a neutral cleaning agent. The rotating circle can be cleaned in a weak solution of a neutral cleaning agent or in the dishwasher. After removing the rotating circle from the oven interior for cleaning, return it to its original position once clean.

8. To get rid of the smell from the oven, place a glass of water in the microwave oven (make sure it is suitable for microwave use) with the rind of one lemon and let it cook in the microwave programme for 5 minutes. Wipe the oven interior dry thoroughly using a soft cloth.
9. If it is necessary to replace the interior lighting of the oven, please contact the dealer.
10. Clean the oven on a regular basis in accordance with the aforementioned instructions and remove the remnants of food. Not maintaining the oven in a clean state could lead to the damage of the surface, which could have a negative influence on the life of the appliance and could result in a dangerous situation.

Handling instructions for the disposal of used packaging material

Discard of used packaging material at a site designated for waste in your locale.

Liquidation of used electrical and electronic devices



This symbol on a product, its accessories or packaging signifies that this product must not be treated like household waste. Liquidate the product by submitting it to the collection site for recycling electrical and electronic devices. Independent waste collection systems exist for collecting used electrical and electronic products in countries of the European Union and other European countries. Insuring their proper liquidation will help prevent potential risks concerning the environment and human health, which could be incurred by incorrect waste management. Recycling waste material helps maintain natural resources of raw material - for the reason stated, please do not liquidate your old electrical and electronic devices along with household waste. For further detailed information on recycling this product, please contact an environmental worker at the local office (town or municipal), waste collection site workers or employees at the store, where you purchased the product.

CE This product is in compliance with the requirements of the regulations of EU on electromagnetic compatibility and electrical safety.

Changes in the text, design and technical specifications may change without prior notice and we reserve the right to make these changes.