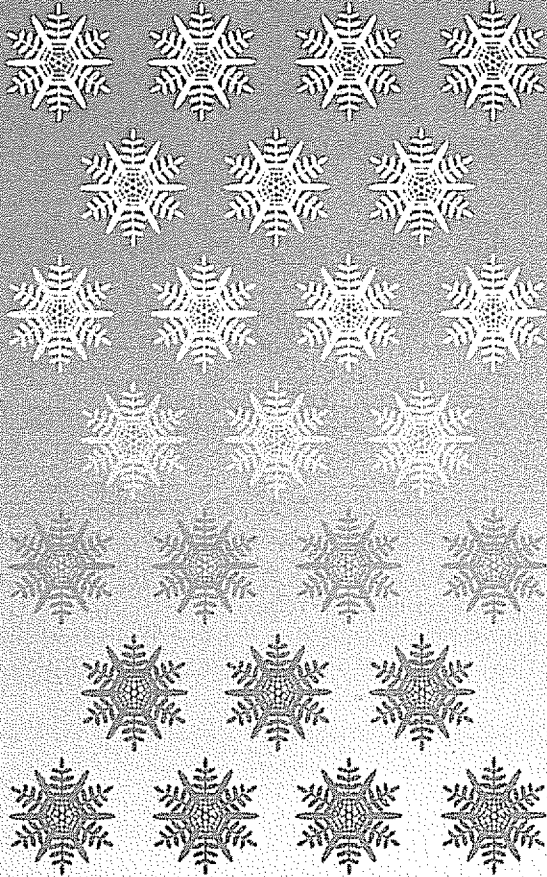


Freezer Owner's Guide

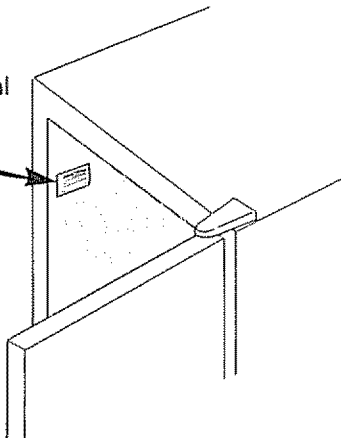
SEARS



Kenmore Freezer

Important Safety Instructions	2
First Steps	2-3
Setting the Temperature Control	4
Freezer Features	4-5
Care and Cleaning	6-7
Power Failure/Freezer Failure	7
Energy Saving Ideas	7
Avoid Service Checklist	8-9
Service Information	10
Warranty	10

Model and Serial
Number Plate



Read and Save These Instructions

Record Your Model and Serial Numbers

Record in the space provided below the model and serial numbers. The serial plates are located either on the upper left wall inside the freezer (upright models), or the left exterior wall (chest models).

Model Number: _____

Serial Number: _____

Purchase Date: _____

Important Safety Instructions

Read all instructions before using this freezer.

⚠ WARNING For Your Safety

Do not store or use gasoline or other flammable vapors and liquids in the vicinity of this or any other appliance. Read product labels for flammability and other warnings.

⚠ WARNING Child Safety

- Destroy carton, plastic bags, and any exterior wrapping material immediately after the freezer is unpacked. Children should never use these items for play. Cartons covered with rugs, bedspreads, plastic sheets or stretch wrap may become airtight chambers and can quickly cause suffocation.
- A child might suffocate if he crawls into a freezer to hide or play. Remove the door of a freezer when not in use, even if you plan to discard the freezer. Many communities have laws requiring you to take this safety precaution.

⚠ WARNING Electrical Information

These guidelines must be followed to ensure that safety mechanisms in the design of this freezer will operate properly.

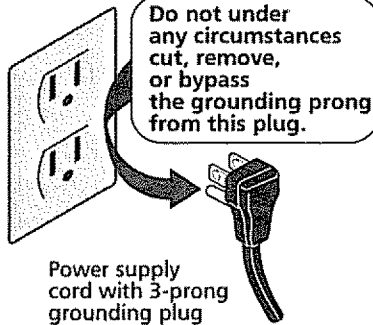
- **Refer to the serial plate for correct electrical rating.** The power cord of the appliance is equipped with a three-prong grounding plug for protection against shock hazards. It must be plugged directly into its own properly grounded three-prong receptacle, protected with a 15 amp time delay fuse or circuit breaker. The receptacle must be installed in accordance with the National Electrical Code and local codes and ordinances. Consult a qualified electrician.
- If voltage varies by 10 percent or more, freezer performance may be affected. Operating the freezer with insufficient power can damage the motor. Such damage is not covered under the warranty. If you suspect your household voltage is high or low, consult your power company for testing.
- To prevent the freezer from being turned off accidentally, do not plug the unit into an outlet controlled by a wall switch or pull cord. **DO NOT use an extension cord or an adapter plug.**
- Do not pinch, knot, or bend the power cord in any manner.

⚠ WARNING Other Precautions

- Never unplug the freezer by pulling on the power cord. Always grip the plug firmly and pull straight out from the receptacle.
- To avoid electrical shock, unplug the freezer before cleaning or defrosting.
Note: Turning the control to OFF turns off the compressor, but does not disconnect power to other electrical components.

⚠ WARNING Avoid fire hazard or electric shock. Do not use an extension cord or an adapter plug. Do not remove any prong from the power cord.

Grounding type wall receptacle



Power supply cord with 3-prong grounding plug

First Steps

Before starting the freezer, follow these important first steps:

Installation

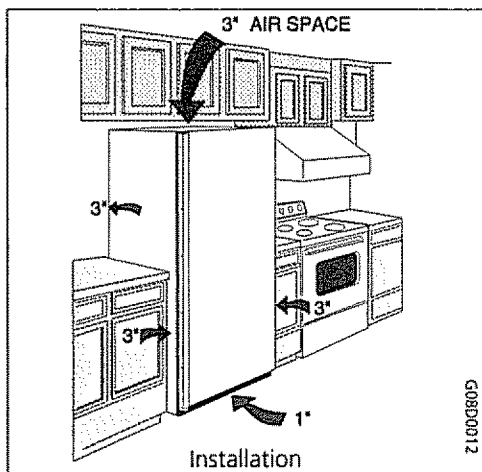
- Choose a place that is near a grounded electrical outlet.
- For the most efficient operation, the freezer should be located where surrounding temperatures will not exceed 110°F (43°C).
- *Allow space around the unit for good air circulation.* Leave a 3 inch (75 mm) space on all sides of the freezer for adequate circulation.

Leveling (upright models)

The freezer must have all bottom corners resting firmly on a solid floor. The floor must be strong enough to support a fully loaded freezer. Check the cabinet with a level from side to side. After discarding the crating screws and wood base, level cabinet. **To level:**

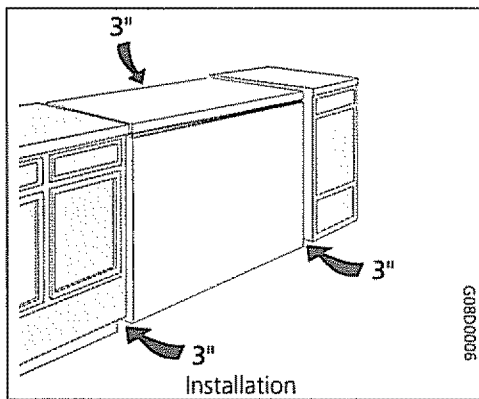
1. Screw leveling feet in as far as possible.
2. Carefully set cabinet upright and move into position.
3. Adjust leveling feet as required to level cabinet.

The front leveling feet on upright models only should be raised just enough so the door closes easily when opened about halfway.

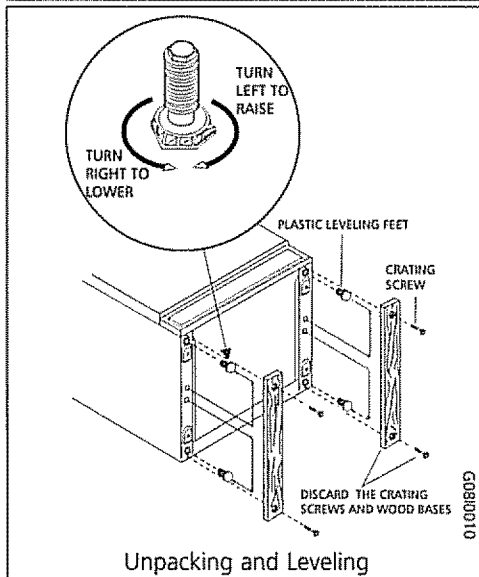


G08D0012

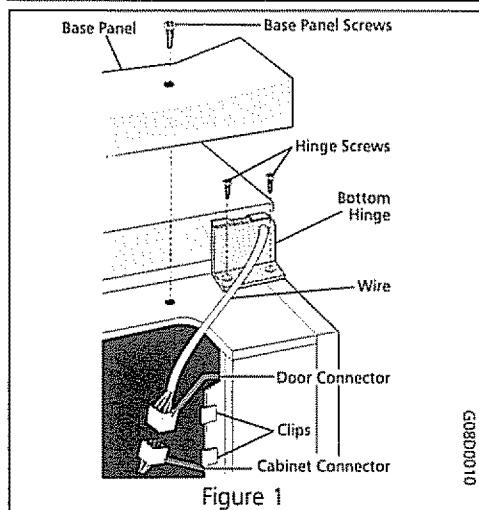
First Steps (continued)



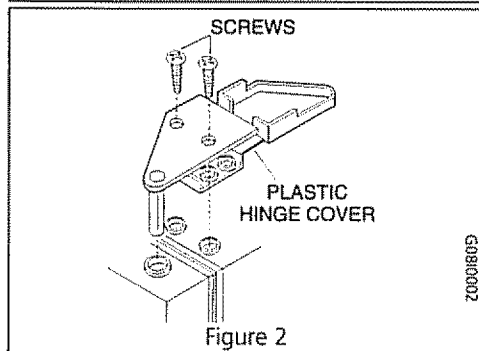
GO8B0005



GO8B0010



GO8B0010



GO8B0002

Door Removal (upright models)

If door must be removed to fit through narrow doorways.

1. Gently lay freezer on its back on a throw rug or blanket.
2. Remove the base panel by unscrewing two screws from front of base panel. Remove wire from clips on bottom of cabinet. (Figure 1)
3. Unplug connector by holding the cabinet connector in place and pulling door connector out. (Figure 1)
4. At the top of the cabinet, lift up plastic hinge cover and fold back. (Figure 2)
5. Use a Phillips® screwdriver to loosen and retighten the screws on the top hinge to insure a secure assembly and prevent hinge slippage.
6. Remove the top hinge from cabinet and lift door off the lower hinge pin.
7. After door is removed, remove the two screws from the bottom hinge.
8. To replace door, reverse above order.

Door Adjustments (upright models)

If door gasket does not seal.

1. Loosen all door panel screws around the edge of door. (Figure 3) On 9 cubic foot models, slam door to realign to cabinet, retighten all door panel screws.
2. On larger models adjust the two screws **on the bottom edge of door**. (Figure 4)
 - If door does not seal on the top, follow illustration A
 - If the door does not seal on the bottom, follow illustration B.
3. After adjustment, retighten all of the door panel screws.

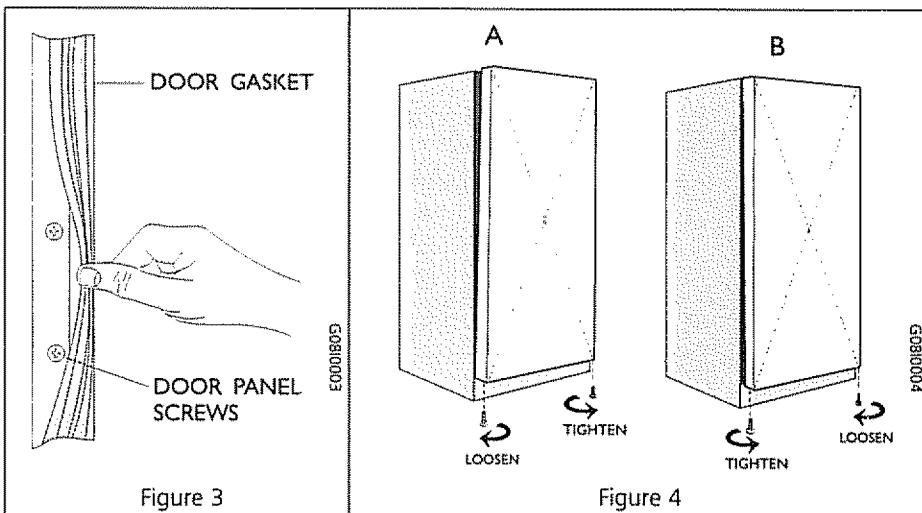


Figure 3

Figure 4

Cleaning

- Wash any removable parts, and the interior and exterior with mild detergent and warm water. Wipe dry.
- **DO NOT USE HARSH CLEANERS ON THESE SURFACES.** Do not use razor blades or other sharp instruments which can scratch the appliance surface when removing adhesive labels. Any glue left from the tape or energy label can be removed with a mixture of warm water and mild detergent or touch the residue with the sticky side of tape already removed. **DO NOT REMOVE THE SERIAL PLATE.**

ENGLISH

Setting the Temperature Control

Cool Down Period

- For safe food storage, allow 4 hours for the freezer to cool down completely. The freezer will run continuously for the first several hours. Foods that are already frozen may be placed in the freezer after the first few hours of operation. Unfrozen foods should NOT be loaded into the freezer until the freezer has operated for 4 hours.
- When loading the freezer, freeze only 3 pounds of fresh food per cubic foot of freezer space at one time. Distribute packages to be frozen evenly throughout the freezer. It is not necessary to turn the control knob to a colder setting while freezing food.

Temperature Control

The temperature control has been factory pre-set to number 1, a position which should provide satisfactory food storage temperatures. However, the temperature control is adjustable to provide a range of temperatures for your personal satisfaction. The temperature control is located inside the freezer on upright models, and on the left outside wall on chest freezers. If a colder temperature is desired, turn the temperature control knob to a higher number. Adjust by one numerical increment at a time, and allow several hours for temperatures to stabilize between adjustments.

Freezer Features

Your freezer may have some or all of the features listed below. Become familiar with these features and their use and care.

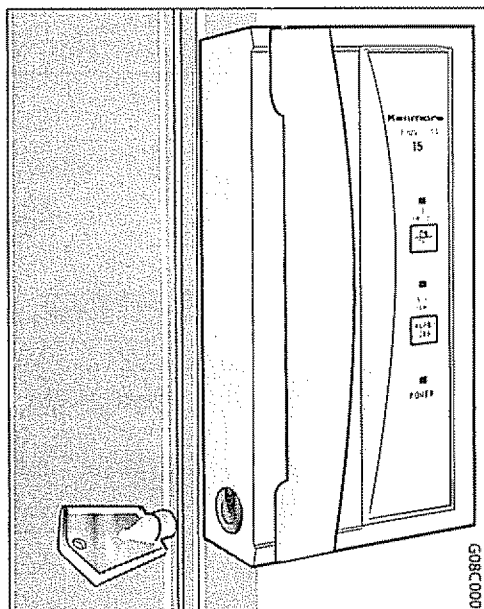
Power On Light

The Power On indicator light indicates that the freezer is properly connected to electrical power. The light glows even when the temperature control is turned to OFF. If the light goes out, refer to "Freezer does not run" section in the Avoid Service Checklist. If the freezer appears to be operating, the light element may be burned out. Call an authorized servicer for replacement.

Temp Alarm (some models)

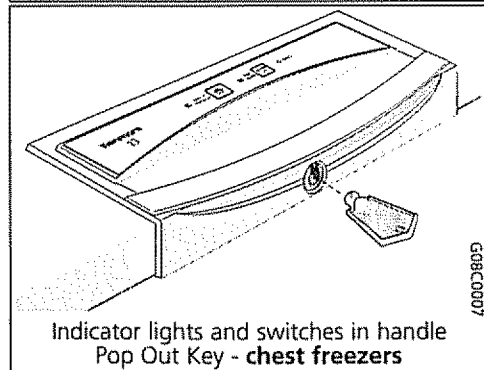
This feature is designed to provide a warning buzzer if inside temperatures are at an unsafe level. The Temp Alarm feature operates on household electricity. If the power fails, the alarm will not perform. The Temp Alarm indicator light will glow only if the storage compartment temperature rises to a level that is unsafe for long term food storage. In addition, when the Temp Alarm feature is ON, an alarm will sound. After the alarm sounds, it may be turned off by pressing the Temp Alarm OFF. The indicator light will continue to blink until the freezer has reached safe freezing temperatures.

The freezer is shipped with the Temp Alarm in the OFF position. After the freezer has run approximately 4 hours, the red Temp Alarm indicator light will stop blinking and the Temp Alarm can be activated.



Indicator lights and switches in handle
Pop Out Key - upright freezers

G08C0006



Indicator lights and switches in handle
Pop Out Key - chest freezers

G08C0007

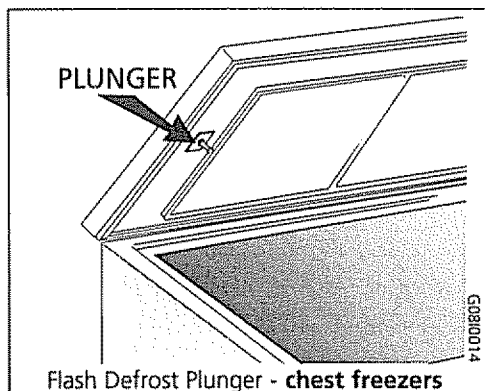
Temp Alarm Indicator Light	Function
Light out, silent buzzer	Normal Operation
Blinking RED light, silent buzzer	Initial installation or extended power outage indicates warm temperature
Blinking RED light, buzzer sounding	Warm temperature condition To silence buzzer, push Temp Alarm button OFF. See Avoid Service Checklist for possible problems

Quick Freeze (some models)

To activate this feature, press the Quick Freeze ON/OFF button. A green light will appear and the freezer will run continuously (except when in Flash Defrost), driving freezer temperatures to the coldest possible temperatures. Be sure this feature is turned OFF when not needed. Use this feature just prior to adding large quantities of unfrozen foods (Not to exceed 3 pounds per cubic foot of freezer space).

Freezer Features

(continued)



Flash Defrost Plunger - chest freezers

Flash Defrost (some chest freezers)

Note: The Temp Alarm should be turned off when the freezer is being defrosted. The Flash Defrost feature will defrost the freezer in a fraction of the time usually required. To defrost, **remove all food** and follow these steps:

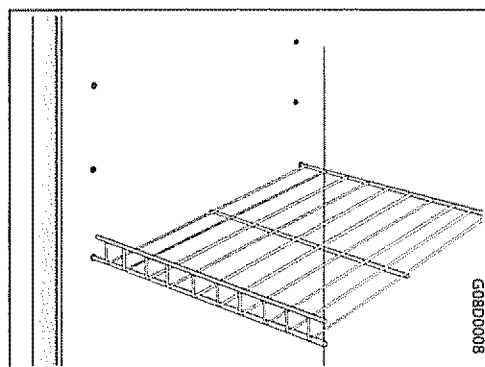
- Pull out the Flash Defrost plunger. Leave door open while defrosting. (Closing the freezer lid on chest models will push in the plunger and the Flash Defrost will be turned off.)
- Push the Flash Defrost plunger in to restart freezer after defrosting.
- Turn on the Temp Alarm after freezer has reached freezing temperatures.

Juice Can Rack (upright freezers)

The Juice Can Rack on the freezer door is specially ridged to store juice cans and prevent them from rolling.

Safety Lock with Pop-Out Key

The lock prevents children and others from opening the freezer. To lock or unlock the freezer, push the key into the lock and turn. The key pops out of the lock after it has been turned. To prevent child entrapment, see warning on Pop-Out Key.



Adjustable Interior Shelves - upright freezers

Adjustable Interior Shelves (upright freezers)

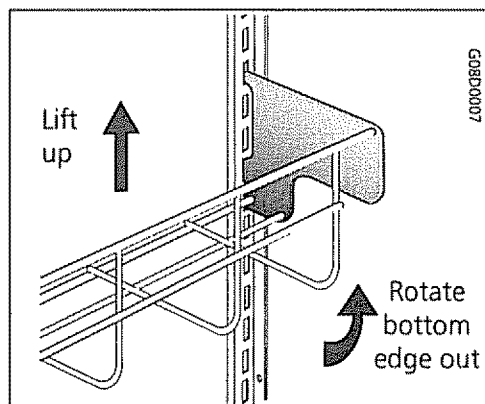
Multi-position adjustable interior shelves can be moved to any position for larger or smaller packages. The shipping spacers which stabilize the shelves for shipping may be removed and discarded.

Adjustable Door Shelves (upright freezers)

To install, remove, or adjust, lift shelf straight up and rotate bottom edge out.

Three-position Adjustable Shelf (upright freezers)

This shelf can be moved to one of three positions. To move shelf, lift up and out and reinstall on another set of supports.



Adjustable Door Shelves - upright freezers

Slide-Out Basket or Trivet (upright freezers)

A Slide-Out Basket (some models) or Trivet (some models), located at the bottom of the freezer, provides separate storage space for items that are difficult to store on freezer shelves. To remove the basket or trivet, pull out and lift up.

Lift-Out Basket (chest freezers)

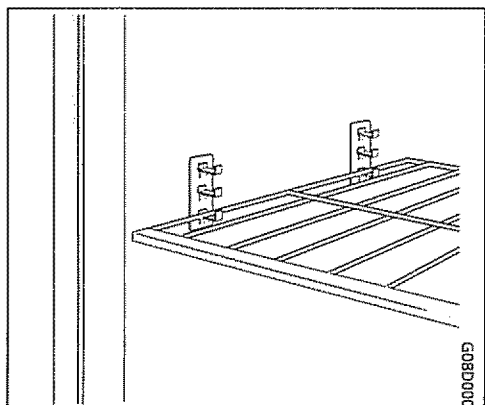
This basket helps organize odd-shaped items. To reach other packages in the freezer, slide the basket aside or lift out.

Divider/Drain Pan (chest freezers)

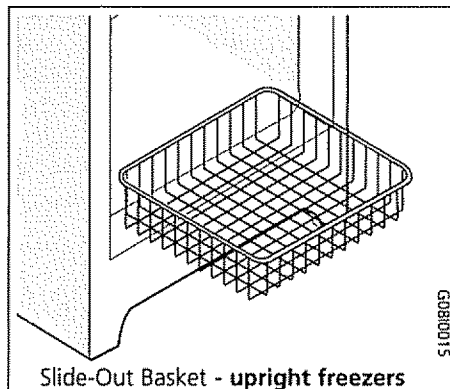
The Divider/Drain Pan doubles as a convenient storage area and serves as a shallow drain pan when defrosting. To remove, lift straight up out of the supports.

Interior Light

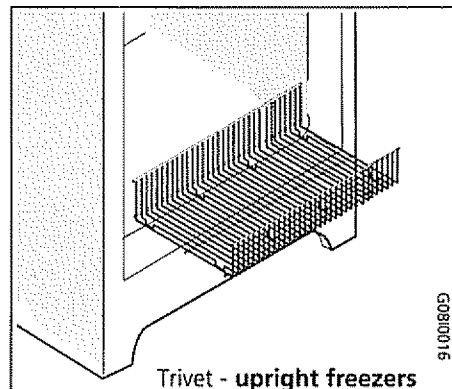
The light comes on automatically when the door is opened. To replace the light bulb, turn the temperature control to OFF and unplug the electrical cord. Replace the old bulb with a bulb of the same wattage.



Three-position Adjustable Shelf - upright freezers



Slide-Out Basket - upright freezers



Trivet - upright freezers

ENGLISH



Care and Cleaning

⚠ WARNING Damp objects stick to cold metal surfaces. Do not touch metal surfaces with wet or damp hands.

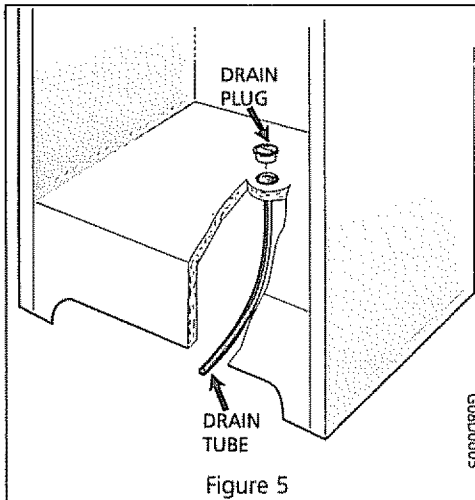


Figure 5

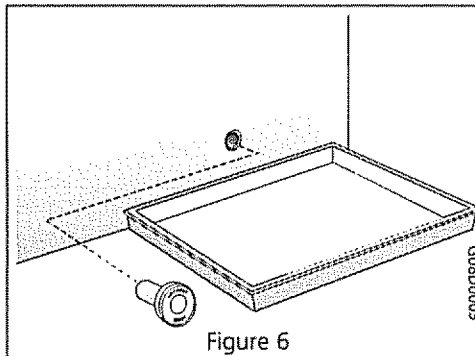


Figure 6

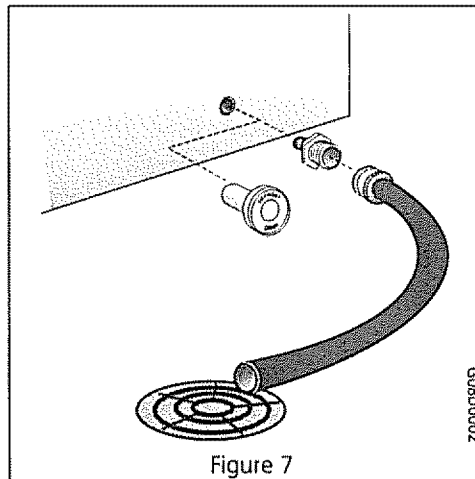


Figure 7

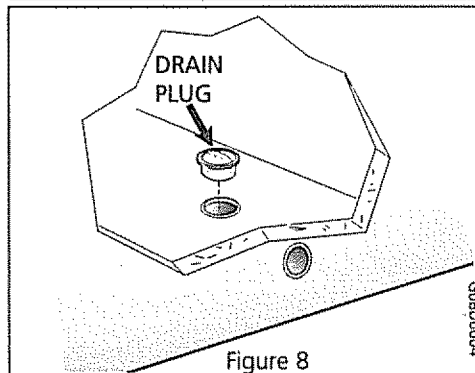


Figure 8

Some upright freezers are frost-free and defrost automatically, but should be cleaned occasionally. Before cleaning or defrosting, turn the temperature control to OFF and unplug the power cord from the electrical outlet. Turning the control to OFF does not disconnect power to other electrical components.

Between Defrostings

To avoid frequent defrosting, occasionally use a plastic scraper to remove frost. Scrape with an upward pulling motion. Never use a metal instrument to remove frost.

Defrosting

It is important to defrost and clean the freezer when 1/4 to 1/2 inch of frost has accumulated. Frost may tend to accumulate faster on the upper part of the freezer due to warm, moist air entering the freezer when the door is opened. Remove food and leave the door open when defrosting the freezer.

- On upright models with a defrost drain (Figure 5), remove the drain plug on the inside floor of the freezer by pulling straight out. The drain tube is located near the left center under the freezer, behind the base panel. Place a shallow pan under the drain tube. Defrost water will drain out. Check pan occasionally so water does not overflow. Replace the drain plug when defrosting and cleaning are completed. If the drain is left open, warm air may enter the freezer.
- On chest models with a defrost drain, place a shallow pan or the Divider/Drain Pan (provided with some models) beneath the drain outlet (Figure 6). A one half inch garden hose adapter can be used to drain the freezer directly into a floor drain (Figure 7). If your model is not equipped with an adapter, one can be purchased at a hardware store. Pull out the stopper inside the freezer, and pull off the outside defrost drain plug (Figure 8). Defrost water will drain out. Check pan occasionally so water does not overflow. Replace the drain plug and stopper when defrosting is completed.
- On models without a defrost drain, place towels or newspapers on the freezer bottom to catch the frost. The frost will loosen and fall. Remove towels and/or newspapers.
- If the frost is soft, remove it by using a plastic scraper. If the frost is glazed and hard, fill deep pans with hot water and place them on the freezer bottom. Close the freezer door. Frost should soften in about 15 minutes. Repeat this procedure if necessary.

Cleaning the Inside

After defrosting, wash inside surfaces of the freezer with a solution of two tablespoons of baking soda in one quart (1.136 litres) warm water. Rinse and dry. Be sure to wring excess water out of the sponge or cloth when cleaning in the area of the controls or any electrical parts.

Wash the removable parts with the baking soda solution mentioned above, or mild detergent and warm water. Rinse and dry. Clean the door gasket with mild suds, rinse with clear water, and wipe dry.

Never use metallic scouring pads, brushes, abrasive cleaners, or alkaline solutions on any surface. Do not wash removable parts in a dishwasher.

Cleaning the Outside

Wash the cabinet with warm water and mild liquid detergent. Rinse well and wipe dry with a clean soft cloth. Replace parts and food. Plug the power cord back into the outlet and turn the control to its former setting.

Care and Cleaning

(continued)

⚠ WARNING If leaving the freezer door open while on vacation, make certain that children cannot get into the freezer and become entrapped.

Vacation and Moving Tips

Short Vacations: Leave the freezer operating during vacations of one to three weeks.

Long Vacations: If the freezer will not be used for several months, remove all food, turn the control to OFF and unplug the power cord. Clean and dry the interior thoroughly. Leave the freezer door open slightly, blocking it open if necessary, to prevent odor and mold growth.

Moving: Keep the freezer door closed. Keep the freezer out of direct sunlight and in a reasonably cool atmosphere. Large quantities of food will stay frozen longer than small quantities. If the freezer is disconnected for 24 hours or more, follow the directions for using dry ice in the "Power Failure/Freezer Failure" section below.

Power Failure/ Freezer Failure

Do not open the freezer door unnecessarily if the power is cut off due to electrical failure.

If a power failure occurs, frozen foods will stay frozen for at least 24 hours if the freezer is kept closed. If the power failure continues, pack seven or eight pounds of dry ice into the freezer every 24 hours. Look in the Yellow Pages under "Dry Ice," "Dairies," or "Ice Cream Manufacturers" for local dry ice suppliers. Always wear gloves and use caution when handling dry ice.

If the freezer has stopped operating, see "Freezer does not run" in the Avoid Service Checklist section of this manual. If you cannot solve the problem, call an authorized servicer immediately.

Do not open the freezer door unnecessarily. If the freezer remains off for several hours, follow the directions above for the use of dry ice during a power failure. If necessary, take the food to a local locker plant until the freezer is ready to operate. Look in the Yellow Pages under "Frozen Food Locker Plants."

Energy Saving Ideas



- The freezer should be located in the coolest area of the room, away from heat producing appliances or heating ducts, and out of direct sunlight.
- Let hot foods cool to room temperature before placing in the freezer. Overloading the freezer forces the compressor to run longer. Foods that freeze too slowly may lose quality or spoil.
- Be sure to wrap foods properly and wipe containers dry before placing them in the freezer. This cuts down on frost build-up inside the freezer.
- Freezer shelves should not be lined with aluminum foil, wax paper, or paper toweling. Liners interfere with cold air circulation, making the freezer less efficient.
- Organize and label food to reduce door openings and extended searches. Remove as many items as needed at one time and close the door as soon as possible.

Avoid Service Checklist

Before calling for service, review this list. It may save you both time and expense. This list includes common occurrences that are not the result of defective workmanship or materials in this appliance.

OCCURRENCE

SOLUTION

FREEZER DOES NOT RUN

Temperature control is in the OFF position. See *Setting the Temperature Control*

Freezer may not be plugged in or plug may be loose. Be sure plug is tightly pushed into electrical outlet.

House fuse has blown, or circuit breaker has tripped. Check/reset circuit breaker or replace fuse with 15 amp time delay fuse.

Power outage. Check house lights. Call local electric company.

Freezer runs too much or too long.

Room or outside weather is hot. It is normal for the freezer to work harder under these conditions.

Freezer had recently been disconnected for a period of time. Freezer requires 4 hours to cool down completely.

Large amounts of warm or hot food have been stored recently. Warm food will cause the freezer to run more until the desired temperature is reached.

Door is kept open too long or too frequently. Warm air enters the freezer every time the door is opened. Open the door less often.

Freezer door may be slightly open. See Occurrence section "Door Problems."

Temperature control is set too cold. Turn the control knob to a warmer setting. Allow several hours for the temperature to stabilize.

Freezer gasket is dirty, worn, cracked, or poorly fitted. Clean or change gasket. Leaks in the door seal will cause freezer to run longer in order to maintain desired temperature.

Temperatures inside the freezer are too cold.

Temperature control is set too cold. Turn the control to a warmer setting. Allow several hours for the temperature to stabilize.

Temperatures inside the freezer are too warm.

Temperature control is set too warm. Turn the control to a colder setting. Allow several hours for the temperature to stabilize.

Door is kept open too long or is opened too frequently. Warm air enters the freezer every time the door is opened. Open the door less often.

Door may be open slightly. See Occurrence section "Door Problems."

Large amounts of warm or hot food may have been stored recently. Wait until the freezer has had a chance to reach its selected temperature.

Freezer has recently been disconnected for a period of time. Freezer requires 4 hours to cool down completely.

Temperature of external freezer surface is warm.

Freezer cabinet is warm to the touch. Freezer is operating normally, removing warm air from the inside.

SOUND AND NOISE

Louder sound levels whenever freezer is on.

Today's freezers have increased storage capacity and more even temperatures. They require a high speed compressor. This is normal.

Louder sound levels when compressor comes on.

Freezer operates at higher pressures during the start of the ON cycle. This is normal. Sound will level off or disappear as freezer continues to run.

Popping or cracking sound when compressor comes on.

Metal parts undergo expansion and contraction, as in hot water pipes. This is normal. Sound will level off or disappear as freezer continues to run.

Bubbling or gurgling sound, like water boiling.

Refrigerant (used to cool freezer) is circulating throughout the system. This is normal.

Vibrating or rattling noise.

Freezer is not level. It rocks on the floor when it is moved slightly. Adjust leveling feet. Refer to "Leveling" in *First Steps*.

OCCURRENCE**SOLUTION****SOUND AND NOISE (cont'd)**

Floor is uneven or weak Freezer rocks on the floor when it is moved slightly Be sure floor can adequately support freezer Level the floor by putting wood shims under part of the freezer

Freezer is touching the wall Relevel the freezer or move freezer slightly Refer to "Leveling" in *First Steps*

WATER/MOISTURE/FROST INSIDE FREEZER**Moisture forms on inside freezer walls.**

Weather is hot and humid, which increases internal rate of frost build-up. This is normal

Door is slightly open See Occurrence section "Door Problems."

Door is kept open too long or is opened too frequently Open the door less often

WATER/MOISTURE/FROST OUTSIDE FREEZER**Moisture forms on outside of freezer.**

Door is slightly open, causing the cold air from inside the freezer to meet warm moist air from outside See Occurrence section "Door Problems."

ODOR IN FREEZER

Interior needs to be cleaned Clean interior with sponge, warm water, and baking soda

Foods with strong odors are in the freezer Cover the food tightly

DOOR PROBLEMS**Door will not close.**

Freezer is not level It rocks on the floor when it is moved slightly. This condition can force the cabinet out of square and misalign the door. Refer to "Leveling" in *First Steps*.

Floor is uneven or weak Freezer rocks on the floor when it is moved slightly. Level the floor by using metal or wood shims under the freezer or brace floor supporting the freezer

LIGHT BULB IS NOT ON

Light bulb is burned out. Follow directions under "Interior Light" in *Freezer Features*.

No electric current is reaching the freezer See Occurrence section "Freezer Does Not Run"

Sears Service



"We Service What We Sell" is our assurance you can depend on Sears for service... and Sears service is nationwide. Your freezer has added value when you consider that Sears has service units nationwide, staffed with professional technicians specifically trained on Sears appliances and having part, tools and equipment to insure that we meet our pledge to you... "We Service What We Sell."

Sears Maintenance Agreement

Maintain the value of your Kenmore® freezer with a Sears Maintenance Agreement. Sears freezers are designed, manufactured, and tested for years of dependable operation. Yet, any modern appliance may require service from time to time.

The Sears Maintenance Agreement

- Is your way to buy tomorrow's service at today's price.
- Eliminates repair bills resulting from normal use
- Allows for as many service calls as required
- Provides for service by professional Sears-trained technicians
- Offers an annual preventive maintenance check-up at your request.

This maintenance agreement does not cover original installation, reinstallation, or damage resulting from external causes such as acts of God, abuse, theft, fire, flood, wind, lightning, freezing, power failure, power reduction, etc. Please ask a salesperson to see the agreement for all of the terms and conditions.

ENGLISH

Warranty

Full One-Year Warranty on Freezer

For one year from date of purchase, when this freezer is operated and maintained according to instructions in this owner's manual, Sears will repair this freezer, free of charge, if defective in material or workmanship.

Full Five-Year Warranty on Sealed Refrigeration System

For five years from the date of purchase, when this freezer is operated and maintained according to instructions in this owner's manual, Sears will repair the sealed refrigeration system (consisting of refrigerant, connecting tubing, and compressor), free of charge, if defective in material or workmanship. The above warranty coverage applies only to freezers which are used for storage of food for private household purposes.

Food Loss Coverage Limitation

If promptly reported to your nearest Sears store or Service Center, Sears will reimburse you up to a total of \$100.00 for the value of food, as verified by Sears, lost while stored in the freezer when used for private household purposes as a result of:

1. Defects that occur during the first year following the date of purchase.
2. Failure of the sealed refrigeration system (including refrigerant, connecting tubing, and compressor), due to defects that occur during the second through fifth year after purchase. If freezer is used for other than private household purposes, Sears will not be responsible for any food loss. Food losses resulting from other than the above stated defects, such as natural spoilage, power interruption, inadequate power, manual disconnect of power supply, fire damage, water damage, theft, etc., are beyond our control and are not covered by Sears. Some states do not allow the exclusion or limitation of incidental or consequential damages, so the above limitation or exclusion may not apply to you. This warranty gives you specific legal rights, and you may have other rights which vary from state to state.

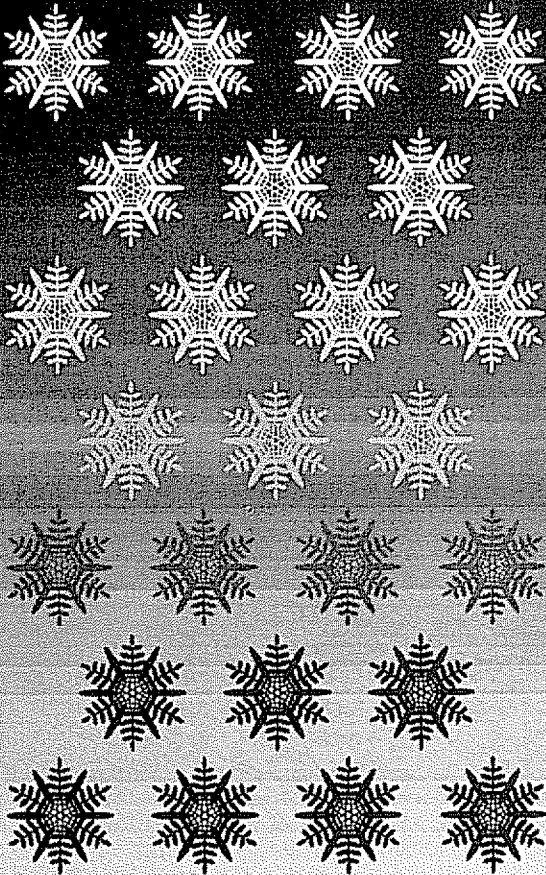
Warranty service is available by contacting the NEAREST SEARS SERVICE CENTER/ DEPARTMENT in the United States or call 1-800-4-REPAIR.
For parts, call 1-800-FON-PART.

SEARS, ROEBUCK and CO.
3333 Beverly Road
Hoffman Estates, IL 60719

PRINTED IN U.S.A

Manual del Usuario

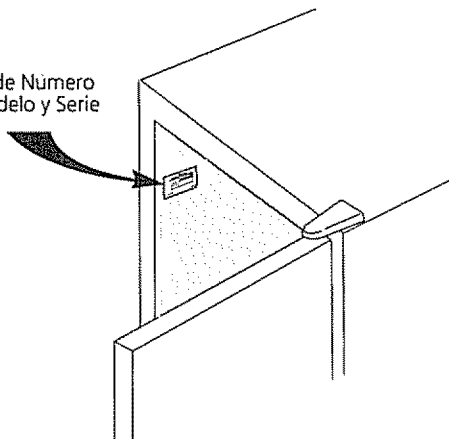
SEARS



Kenmore Congelador

Instrucciones Importantes de Seguridad	2
Para Comenzar	2-3
Ajuste del Control de la Temperatura	4
Características del Congelador	4-5
Cuidado y Limpieza	6-7
Falla de Corriente/Falla del Congelador	7
Sugerencias para el Ahorro de Energía	7
Lista de Control de Averías	8-9
Información Sobre Servicio	10
Garantía	10

Placa de Número
de Modelo y Serie



Lea y Conserve Estas Instrucciones

Anote el Número de Modelo y el Número de Serie

Anote en el espacio provisto el número de modelo y el número de serie. La placa del número de serie está situada ya sea en la pared izquierda superior dentro del congelador (modelos verticales) o en la pared exterior izquierda (modelos horizontales).

Número de Modelo: _____

Número de Serie: _____

Fecha de Compra: _____

Instrucciones Importantes de Seguridad

Lea todas las instrucciones antes de usar este congelador.

⚠️ ADVERTENCIA Para Mayor Seguridad

No almacene o use gasolina u otros líquidos o vapores inflamables en la proximidad de este o cualquier otro artefacto. Lea las etiquetas de los productos para informarse sobre la inflamabilidad y otras advertencias.

⚠️ ADVERTENCIA Seguridad de los Niños

- Destruya la caja de cartón, las bolsas de plástico y cualquier material de empaque exterior inmediatamente después de que el congelador sea desempacado. Los niños no deben usar estos artículos para jugar. Las cajas de cartón cubiertas con alfombras, colchas o pedazos de plástico pueden convertirse en cámaras sin aire y causar asfixia.
- Un niño puede asfixiarse si se esconde o juega dentro del congelador. Saque la puerta del congelador cuando no lo use más, aún si usted intenta descartar el congelador. En muchas comunidades existen leyes que exigen el cumplimiento de esta precaución de seguridad.

⚠️ ADVERTENCIA Información Eléctrica

Estas indicaciones debe ser seguidas para asegurar de que los mecanismos de seguridad de este congelador funcionen correctamente.

- **Consulte la placa del número de serie para la potencia eléctrica correcta.** El cordón eléctrico del artefacto está equipado con un enchufe de puesta a tierra de tres clavijas para protección contra riesgos de choques eléctricos. Debe ser enchufado directamente en un tomacorriente de tres tomas debidamente puesto a tierra, protegido con un fusible de retardo de 15 amperes o un disyuntor. El tomacorriente debe ser instalado de acuerdo el Código Eléctrico Nacional y los códigos y reglamentos locales. Consulte a un electricista calificado.
- Si el voltaje varía en 10 por ciento o más, el rendimiento del congelador puede verse afectado. Si se hace funcionar el congelador con insuficiente energía se puede dañar el motor. Tal daño no está cubierto por la garantía. Si usted sospecha que el voltaje de su hogar es alto o bajo, consulte a su compañía de electricidad para que lo comprueben.
- Para evitar que el congelador sea apagado accidentalmente no lo enchufe en un tomacorriente controlado por un interruptor mural o una cuerda. **NO use un cordón de extensión o un adaptador para el tomacorriente.**
- No doble, anude o apriete el cordón eléctrico de ninguna manera.

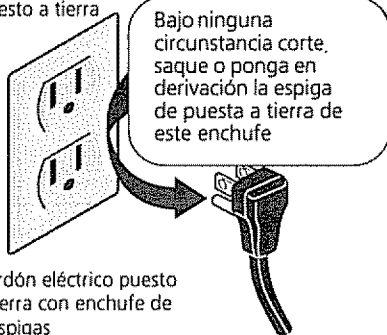
⚠️ ADVERTENCIA Otras Precauciones

- Nunca desenchufe el congelador tirando del cordón eléctrico. Siempre sujete el enchufe firmemente y tire derecho hacia afuera del tomacorriente.
- Para evitar choque eléctrico, desenchufe el congelador antes de la limpieza o descongelación.

NOTA: Si gira el control a la posición OFF el compresor se apaga, pero no se desconecta la energía a los otros componentes eléctricos.

⚠️ ADVERTENCIA Evite los riesgos de incendios o choques eléctricos. No use un cordón de extensión o un adaptador para el tomacorriente. No saque ninguna espiga del enchufe del cordón eléctrico.

Tomacorriente
puesto a tierra



Cordón eléctrico puesto
a tierra con enchufe de
3 espigas

ESPAÑOL

Para Comenzar

Antes de poner en funcionamiento el congelador, siga estas importantes indicaciones:

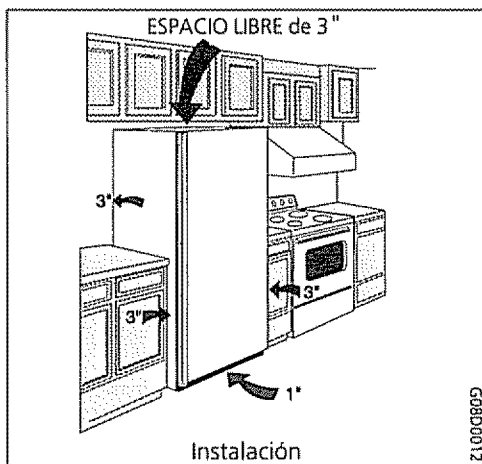
Instalación

- Seleccione un lugar que esté cerca de un tomacorriente eléctrico puesto a tierra.
- Para una operación más eficiente, el congelador debe estar situado donde la temperatura ambiente no será superior a 110°F (43°C).
- *Deje espacio alrededor del artefacto para una buena circulación del aire.* Deje un espacio de 3" (75 mm) en todos los lados del congelador para circulación adecuada.

Nivelación (modelos verticales)

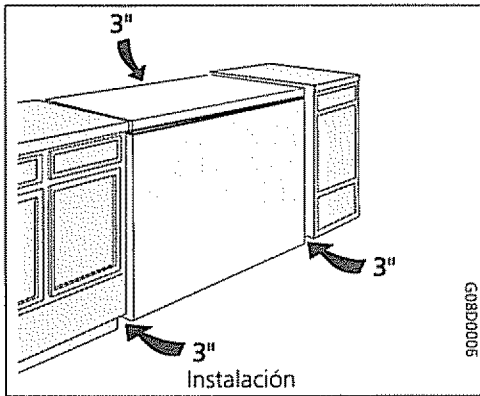
El congelador debe tener las cuatro esquinas inferiores reposando firmemente sobre suelo firme. El piso debe ser lo suficientemente fuerte como para soportar el congelador cuando esté lleno. Revise el gabinete con un nivel de lado a lado. Después de descartar los tornillos del embalaje y la base de madera, nivele el gabinete. **Para nivelar:**

1. Gire los tornillos niveladores tan adentro como sea posible.
 2. Cuidadosamente coloque el congelador en la posición vertical y muévalo a su lugar.
 3. Ajuste los tornillos niveladores como sea requerido para nivelar el gabinete.
- Los tornillos niveladores delanteros en los modelos verticales solamente deben ser levantados lo suficiente para permitir que la puerta se cierre fácilmente cuando se abra hasta la mitad.

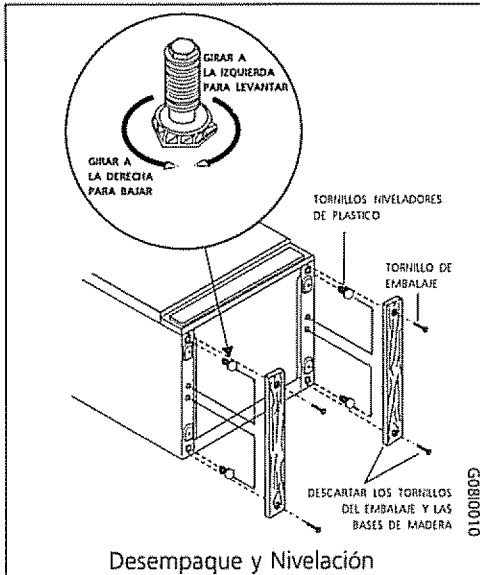


GOBDD0012

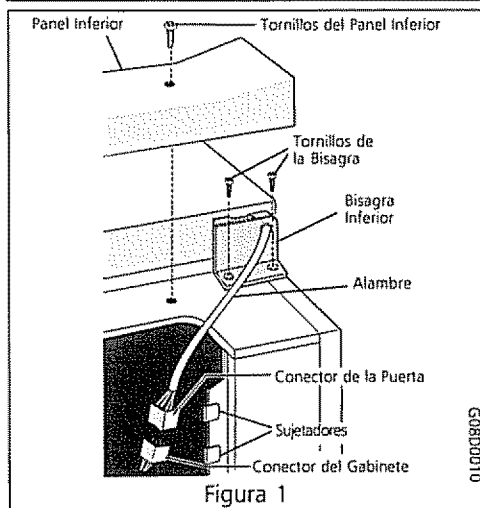
Para Comenzar (cont.)



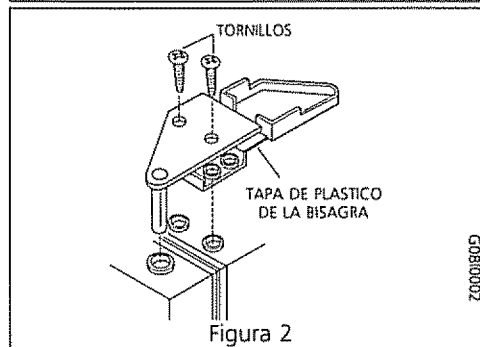
GO800005



GO800010



GO800010



GO800002

Para Sacar la Puerta (modelos verticales)

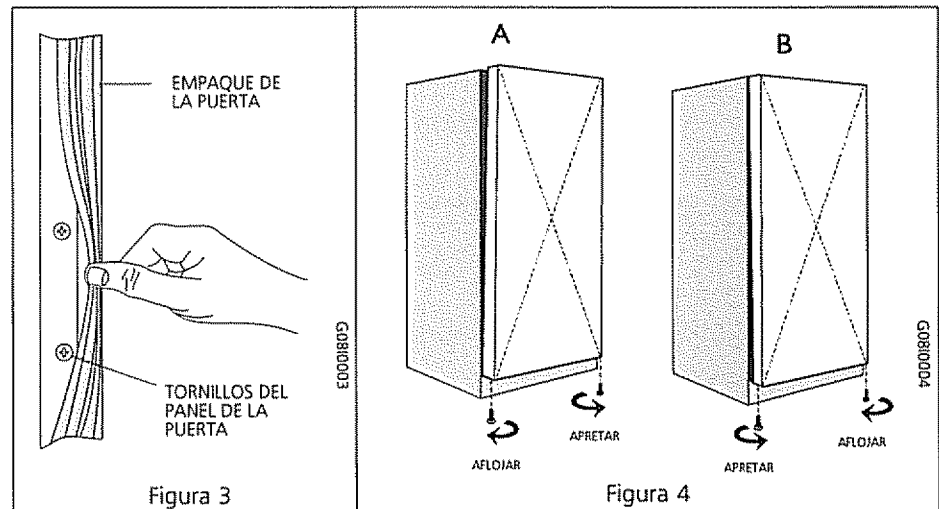
Si la puerta debe ser sacada para pasar por espacios estrechos:

- 1 Deposite cuidadosamente el congelador sobre su parte trasera en una alfombra o cobija
- 2 Saque el panel inferior quitando dos de los tornillos de la parte delantera del panel. Saque el alambre de los sujetadores en la parte inferior del gabinete. (Figura 1)
- 3 Desenchufe el conector sujetando el conector del gabinete en su lugar y tirando el conector de la puerta. (Figura 1)
- 4 En la parte superior del gabinete, levante la tapa de plástico de la bisagra y dóblela hacia atrás. (Figura 2)
- 5 Use un destornillador Phillips para aflojar y atornillar los tornillos en la bisagra superior para asegurarse de que la bisagra esté firmemente instalada y no corra el riesgo de salirse.
- 6 Saque la bisagra superior del gabinete y levante la puerta fuera del pasador de la bisagra inferior.
- 7 Después de que la puerta ha sido sacada, saque los dos tornillos de la bisagra inferior.
- 8 Para volver a colocar la puerta, siga el orden inverso.

Ajustes de la Puerta (modelos verticales)

Si el empaque de la puerta no cierra herméticamente:

- 1 Afloje todos los tornillos situados alrededor del borde de la puerta. (Figura 3) En los modelos de 9 pies cúbicos, cierre de golpe la puerta para realinearla al gabinete, vuelva a apretar todos los tornillos de la puerta.
- 2 En los modelos más grandes ajuste los dos tornillos en el borde inferior de la puerta. (Figura 4)
 - Si la puerta no cierra herméticamente en la parte superior, siga la ilustración A
 - Si la puerta no cierra herméticamente en la parte inferior, siga la ilustración B
- 3 Después del ajuste, vuelva a apretar todos los tornillos situados alrededor del panel de la puerta.



Limpieza

- Lave todas las piezas removibles y el interior y el exterior con un detergente suave y agua tibia. Secar bien.
- **NO USE LIMPIADORES ABRASIVOS EN ESTAS SUPERFICIES.** No use hojas de afeitar ni otros instrumentos afilados para sacar las etiquetas adhesivas pues puede rallar la superficie del artefacto. Cualquier resto de goma de las etiquetas o de la etiqueta sobre energía puede ser sacado con una mezcla de agua tibia y detergente suave o despegar el residuo con el lado adhesivo de la etiqueta que ya ha sido sacada.

NO SAQUE LA PLACA CON EL NUMERO DE SERIE.

Ajuste del Control de la Temperatura

Período de Enfriamiento

- Para la conservación segura de los alimentos, deje que el congelador se enfríe completamente durante 4 horas. El congelador funcionará continuamente durante las primeras horas. Los alimentos que ya están congelados pueden ser colocados en el congelador después de las primeras horas de funcionamiento. Los alimentos descongelados NO deben ser guardados en el congelador si el congelador no ha estado en funcionamiento durante 4 horas.
- Cuando esté llenando el congelador, congele solamente 3 libras de alimento fresco por pie cúbico de espacio de una vez. Distribuya los paquetes que van a ser congelados uniformemente a través del congelador. No es necesario girar el botón a un ajuste más frío cuando los alimentos están siendo congelados.

Control de la Temperatura

La temperatura ha sido preajustada en la fábrica al número 1, una posición que debería proporcionar temperaturas satisfactorias de conservación de los alimentos. Sin embargo, el control de la temperatura es ajustable para ofrecer una gama de temperaturas que satisfagan su preferencia personal. El control de la temperatura está ubicado dentro del congelador en los modelos verticales y en la pared exterior izquierda en los modelos horizontales. Si se desea una temperatura más fría, gire el botón de la temperatura a un número mayor. Para cambiar el ajuste, aumente o disminuya de un número cada vez y deje pasar varias horas para que las temperaturas se estabilicen, antes de hacer otro ajuste.

Características del Congelador

Su congelador puede tener algunas o todas las características que se indican a continuación. Familiarícese con su uso y cuidado.

Luz Indicadora de Funcionamiento

La luz indicadora de funcionamiento indica si el congelador está debidamente conectado a la energía eléctrica. La luz se enciende aún cuando el control de la temperatura esté en la posición OFF. Si la luz se apaga, consulte "El congelador no funciona" en la Lista de Control de Averías. Si el congelador parece estar funcionando, se puede haber quemado la ampolla. Llame a un técnico de servicio autorizado para su reemplazo.

Temp Alarm (Alarma de Temperatura) (algunos modelos)

Se emite una alarma sonora si las temperaturas interiores llegan a un nivel peligroso. Temp Alarm funciona con la electricidad del hogar. Si hay un corte de energía, la alarma no sonará. La luz indicadora de Temp Alarm se iluminará solamente si la temperatura del compartimiento de conservación de los alimentos se eleva a un nivel demasiado alto que afecte adversamente la conservación de alimentos a largo plazo. Además, cuando Temp Alarm está en ON, sonará una alarma. Después de que suena la alarma ésta se puede apagar oprimiendo Temp Alarm OFF. La luz indicadora continuará iluminada hasta que la temperatura del congelador se estabilice a un nivel seguro.

El congelador es embarcado con la Temp Alarm (Alarma de Temperatura) en la posición OFF. Después de que el congelador ha funcionado aproximadamente 4 horas, la luz indicadora roja Temp Alarm dejará de destellar y entonces se puede activar Temp Alarm.

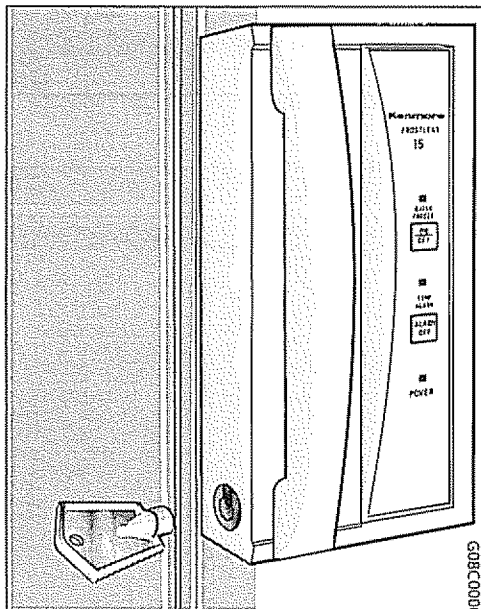
Luz Indicadora Temp Alarm

Luz	Función
Luz apagada, alarma silenciosa	Operación Normal
Luz ROJA destellante, alarma silenciosa	Instalación inicial o corte prolongado de energía indica temperatura alta.
Luz ROJA destellante, alarma silenciosa	Temperatura alta. Para apagar la alarma sonora, oprima el botón Temp Alarm OFF. Ver "Lista de Control de Averías" para posibles problemas.

Quick Freeze (Congelación Rápida) (algunos modelos)

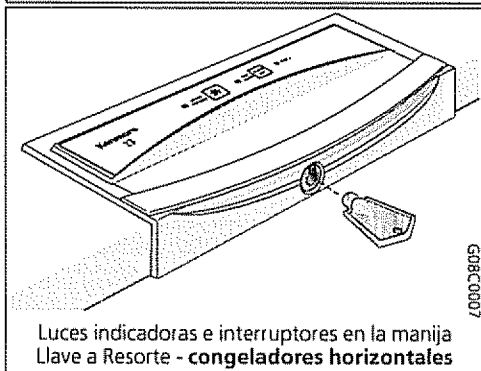
Para activar esta característica oprima el botón Quick Freeze ON/OFF. Aparecerá una luz verde y el congelador funcionará continuamente (excepto cuando esté en Descongelación Instantánea), haciendo que las temperaturas del congelador sean más frías posible. Asegúrese de que esta característica no esté activada cuando no se necesita. Use esta característica justo antes de agregar grandes cantidades de alimentos no congelados al congelador. (No sobrepase 3 libras por pie cúbico del espacio del congelador.)

ESPAÑOL



Luces indicadoras e interruptores en la manija
Llave a Resorte - congeladores verticales

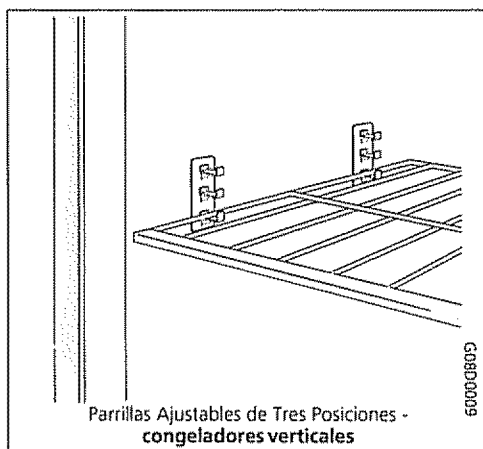
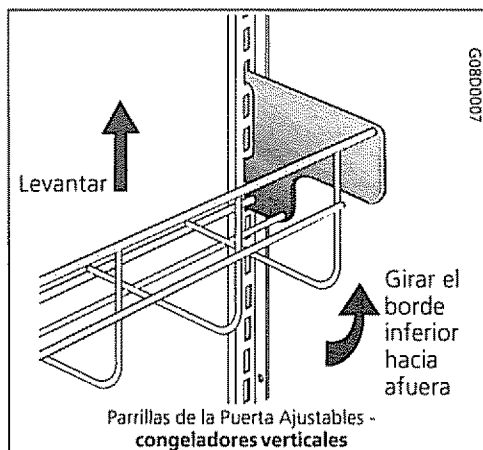
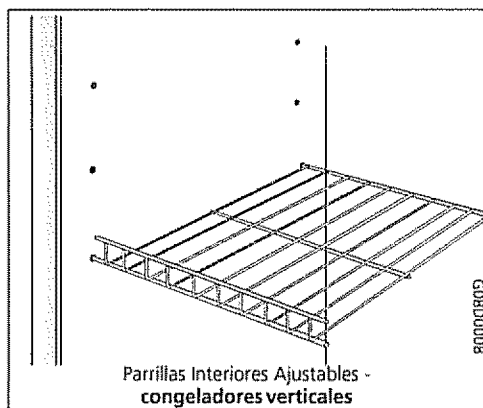
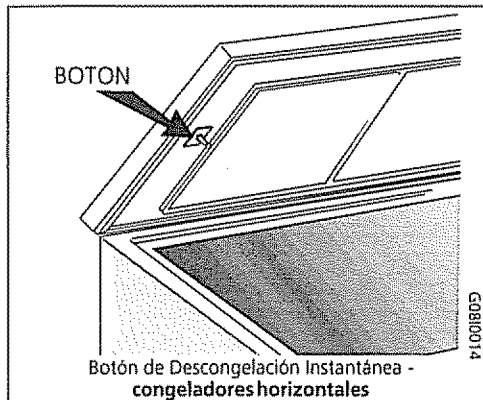
GB8C0006



Luces indicadoras e interruptores en la manija
Llave a Resorte - congeladores horizontales

GB8C0007

Características del Congelador (cont.)



Descongelación Instantánea (algunos congeladores horizontales)

Nota: "Temp Alarm" (Alarma de Temperatura) debe ser apagada cuando el congelador está siendo descongelado. La característica de descongelación instantánea descongelará el congelador en solo una fracción del tiempo que generalmente se requiere para descongelarlo. Para descongelar, **saque todos los alimentos** y siga estos pasos:

- Tire hacia afuera el botón de descongelación instantánea. Deje la puerta abierta cuando se está descongelando. (Si se cierra la tapa del congelador en los modelos horizontales oprimirá el botón hacia adentro y se apagará la descongelación instantánea.)
- Oprima el botón de descongelación instantánea para volver a poner en marcha el congelador después de la descongelación.
- Encienda "Temp Alarm" después de que el congelador ha alcanzado las temperaturas de congelación.

Parrilla para las Latas de Jugos (congeladores verticales)

La parrilla para las latas de jugos en la puerta del congelador está especialmente diseñada para sostener las latas de jugo y evitar que rueden.

Cierre de Seguridad con Llave a Resorte

El cierre evita que los niños y otras personas abran el congelador. Para cerrar o abrir el congelador, empuje la llave en la cerradura y gírela. La llave saldrá de la cerradura después de haber sido girada. Para evitar que los niños queden atrapados en el interior, vea las advertencias sobre la Llave a Resorte.

Parrillas Interiores Ajustables (congeladores verticales)

Las parrillas interiores ajustables pueden ser colocadas en cualquier posición para acomodar paquetes más grandes o más pequeños. Los espaciadores que estabilizan los estantes durante el embarque pueden ser sacados y descartados.

Parrillas de la Puerta Ajustables (congeladores verticales)

Para instalar, sacar o ajustar, levante la parrilla derecho hacia arriba y gire el borde inferior hacia afuera.

Parrilla Ajustable de Tres Posiciones (congeladores verticales)

Esta parrilla puede ser movida a una de tres posiciones. Para mover la parrilla levante hacia arriba y hacia afuera y vuelva a instalar en otro juego de soportes.

Canasta Deslizable o Rejilla (congeladores verticales)

Una canasta deslizable (algunos modelos) o rejilla (algunos modelos), ubicada en la parte inferior del congelador, provee espacio para almacenamiento separado de aquellos artículos que son difíciles de guardar en las parrillas del congelador. Para sacar la canasta o rejilla, tírela hacia afuera y levántela.

Canasta Removible (congeladores horizontales)

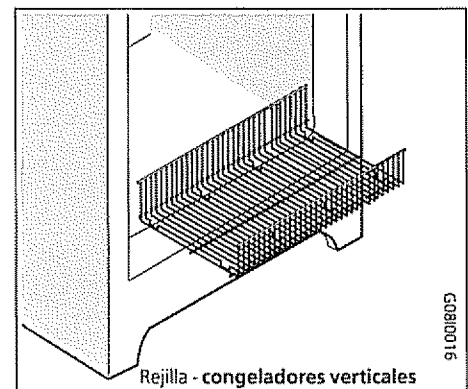
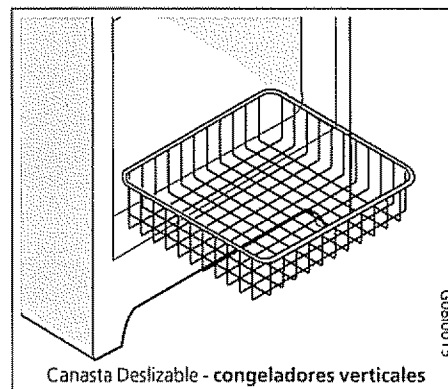
Esta canasta ayuda a organizar los artículos de formas variadas. Para alcanzar otros paquetes en el congelador, deslice la canasta hacia un lado o levántela hacia afuera.

Bandeja Divisora/de Desagüe (congeladores horizontales)

La bandeja divisora/de desagüe sirve para dos propósitos, como una área conveniente donde guardar alimentos y sirve también como una bandeja poco profunda para el agua proveniente de la descongelación. Para sacarla, levántela derecho hacia arriba y sáqueela de los soportes.

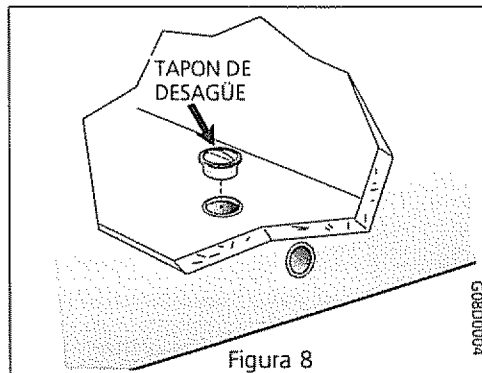
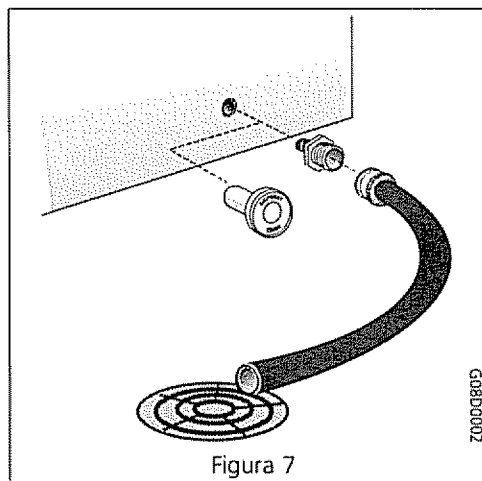
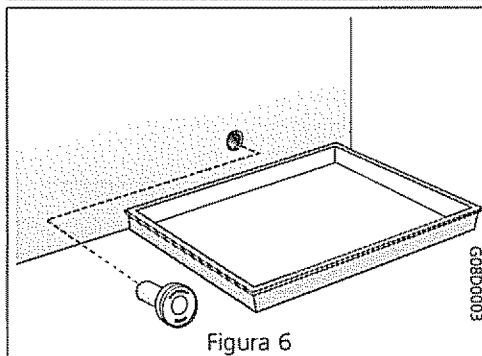
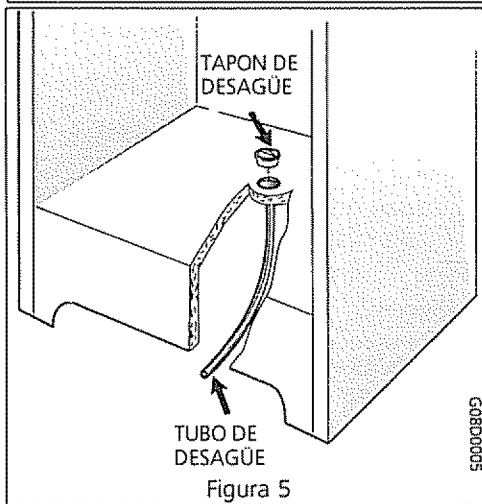
Luz Interior

La luz se enciende automáticamente cuando se abre la puerta. Para cambiar la ampolleta, gire el control de la temperatura a la posición OFF y desenchufe el cordón eléctrico. Reemplace la ampolleta antigua con una nueva de la misma potencia.



Cuidado y Limpieza

ADVERTENCIA Los objetos mojados se adhieren a las superficies metálicas frías. No toque las superficies metálicas con las manos mojadas o húmedas.



Algunos congeladores verticales se descongelan automáticamente pero deben ser limpiados ocasionalmente. Antes de limpiar o descongelar, gire el control de la temperatura a la posición OFF y desenchufe el cordón eléctrico del tomacorriente. Al girar el control a la posición OFF no se desconectan los otros componentes eléctricos de la corriente eléctrica.

Entre Descongelaciones

Para evitar descongelación frecuente, ocasionalmente use un raspador de plástico para sacar la escarcha. Raspe con un movimiento hacia arriba. Nunca use un instrumento de metal para sacar la escarcha.

Descongelación

Es importante descongelar y limpiar el congelador cuando se ha acumulado una escarcha de 1/4 a 1/2 pulgada. La escarcha puede acumularse más rápidamente en la parte superior del congelador debido al aire caliente y húmedo que entra al congelador cuando se abre la puerta. Saque los alimentos y deje la puerta abierta cuando esté descongelando el congelador.

- En los modelos verticales equipados con un desagüe de descongelación (Figura 5), saque la tapa del desagüe situada en el piso del congelador, tirándola derecho hacia arriba. El tubo de desagüe se encuentra cerca del centro izquierdo bajo el congelador, detrás del panel inferior. Coloque una bandeja colectora debajo del tubo del desagüe. El agua de la descongelación saldrá hacia afuera. Revise la bandeja ocasionalmente para que el agua no rebese. Vuelva a colocar la tapa del desagüe cuando se haya completado la descongelación y limpieza. Si el desagüe se deja abierto, entrará aire caliente al congelador.
- En los modelos horizontales equipados con desagüe de descongelación coloque una bandeja o la bandeja divisora/de desagüe (suministrada con algunos modelos) debajo de la salida del desagüe (Figura 6). Un adaptador de manguera de jardín de media pulgada puede ser usado para desaguar el congelador directamente al desagüe del piso (Figura 7). Si su modelo no está equipado con un adaptador, usted puede comprar uno en una ferretería local. Saque la tapa que se encuentra dentro del congelador y saque el tapón exterior de desagüe de congelación (Figura 8). El agua de la descongelación escurrirá hacia afuera. Revise ocasionalmente la bandeja para que el agua no rebese. Vuelva a colocar el tapón de desagüe exterior y la tapa interior del congelador cuando se haya completado la descongelación.
- En algunos modelos sin desagüe de descongelación, coloque toallas o periódicos en la parte inferior del congelador para que recibir la escarcha. La escarcha se desprenderá y caerá. Saque las toallas y/o los periódicos.
- Si la escarcha está blanda, sáquela usando un raspador de plástico. Si la escarcha es brillante y dura, llene recipientes hondos con agua caliente y colóquelos en el interior del congelador. Cierre la puerta del congelador. La escarcha se ablandará en 15 minutos. Repita este procedimiento si es necesario.

Limpieza del Interior

Después de la descongelación, lave las superficies interiores del congelador con una solución de dos cucharadas de bicarbonato de soda en un cuarto de galón (1,136 litros) de agua tibia. Enjuague y seque. Asegúrese de estrujar bien la esponja o paño cuando esté limpiado el área de los controles o de las piezas eléctricas.

Lave las piezas móviles con la solución de bicarbonato de soda que se mencionó anteriormente o con un detergente suave y agua tibia. Enjuague y seque. Lave el empaque de la puerta con detergente suave, enjuague con agua limpia y seque.

Nunca use esponjas metálicas, escobillas, limpiadores abrasivos o soluciones alcalinas en ninguna de las superficies. No lave las piezas removibles en la lavadora de platos.

Limpieza del Exterior

Lave el gabinete con agua tibia y un detergente suave. Enjuague bien y seque con un paño suave y limpio. Vuelva a colocar las piezas y los alimentos. Enchufe nuevamente el cordón eléctrico y gire el control a su ajuste anterior.

Cuidado y Limpieza

(cont.)

⚠ ADVERTENCIA Si deja la puerta del congelador abierta cuando se vá de vacaciones, asegúrese de que los niños no pueden entrar al congelador y quedar atrapados en él

Sugerencias para Vacaciones y Mudanzas

Vacaciones Cortas: Deje el congelador funcionando durante las vacaciones de una a tres semanas de duración

Vacaciones Largas: Si el congelador no va ser usado durante varios meses, saque todo el alimento, gire el control a la posición OFF y desenchufe el cordón eléctrico. Limpie y seque bien el interior. Deje la puerta del congelador ligeramente abierta, si es necesario bloqueándola para que se mantenga abierta, a fin de evitar que se acumule mal olor y manchas de humedad.

Mudanza: Mantenga la puerta del congelador cerrada. Mantenga el congelador fuera de la luz directa del sol y en un ambiente razonablemente frío. Las cantidades grandes de alimentos se mantendrán congeladas por más tiempo que las pequeñas. Si el descongelador va a estar desconectado por 24 horas o más, siga las instrucciones para el uso de hielo seco en la sección "Falla de Corriente Eléctrica/Falla del Congelador" incluida a continuación.

Falla de la Corriente Eléctrica/Falla del Congelador

No abra la puerta del congelador inútilmente si se ha cortado la corriente debido a una falla de la corriente eléctrica.

Si se produce un corte de corriente, los alimentos congelados permanecerán congelados por los menos por 24 horas si se mantiene la puerta del congelador cerrada. Si la falla de corriente continúa, coloque siete u ocho libras de hielo seco dentro del congelador cada 24 horas. Busque en las Páginas Amarillas bajo "Hielo Seco", "Productos Lácteos" o "Fabricantes de Hielo" para encontrar los proveedores locales de hielo seco. Siempre use guantes y tenga cuidado cuando manipule el hielo seco.

Si el congelador ha dejado de funcionar, vea "Congelador no funciona" en la Lista de Control de Averías de este manual. Si no puede resolver el problema, llame inmediatamente a un técnico de servicio autorizado.

No abra la puerta del congelador inútilmente. Si el congelador permanece sin corriente por varias horas, siga las instrucciones indicadas anteriormente para el uso de hielo seco durante una falla de corriente. Si es necesario, lleve el alimento a un frigorífico local hasta que el congelador esté listo para ser usado. Busque en las Páginas Amarillas bajo "Plantas Frigoríficas Para Alimentos Congelados."

Sugerencias para el Ahorro de Energía



- El congelador debe ser colocado en la sección más fría de la habitación, alejado de los artefactos que producen calor o de los ductos de la calefacción y fuera de la luz directa del sol.
- Deje que los alimentos calientes se enfríen a la temperatura ambiente antes de colocarlos en el congelador. Al llenar demasiado el congelador, el compresor debe funcionar por períodos más largos. Los alimentos que se congelan demasiado lentamente pueden perder calidad o echarse a perder.
- Asegúrese de que los alimentos están envueltos debidamente y seque los envases antes de colocarlos en el congelador. Esto reduce la acumulación de escarcha dentro del congelador.
- Las parrillas del congelador no deben ser forradas con papel de aluminio, papel de cera o toallas de papel. Los forros interfieren con la circulación del aire frío, disminuyendo la eficacia del congelador.
- Organice y coloque etiquetas en los alimentos para reducir la continua apertura de la puerta y las búsquedas prolongadas. Saque tanto artículos como sea necesario de una sola vez y cierre la puerta tan pronto como sea posible.

Lista de Control de Averías

Antes de llamar a un técnico de servicio, revise esta lista. Puede ahorrar tiempo y dinero. Esta lista incluye los problemas más comunes que no son el resultado de materiales o mano de obra defectuosa de este artefacto

PROBLEMA

SOLUCION

EL CONGELADOR NO FUNCIONA

El control de la temperatura no está en la posición OFF Ver *Ajuste del Control de Temperatura*

Puede que el congelador no esté enchufado o el enchufe puede estar suelto. Asegurese de que el enchufe esté bien enchufado en el tomacorriente.

Un fusible del hogar está quemado o un disyuntor disparado. Revise/Vuelva a reponer el disyuntor o reemplace el fusible con un fusible de acción retardada de 15 amp

Falla de corriente eléctrica. Revise las luces del hogar. Llame a su compañía de electricidad local

El congelador funciona demasiado o por mucho tiempo.

La temperatura de la habitación o el tiempo afuera es demasiado caliente. Es normal que el congelador funcione con más esfuerzo bajo estas condiciones

El congelador ha sido desenchufado recientemente por un período de tiempo. El congelador requiere 4 horas para enfriarse completamente

Recientemente se han almacenado grandes cantidades de alimento caliente o tibio. El alimento tibio causará que el congelador trabaje más hasta que se alcanza la temperatura deseada

La puerta se ha dejado abierta por períodos muy largos o con mucha frecuencia. El aire caliente entra al congelador cada vez que la puerta se abre. Abra la puerta con menos frecuencia

La puerta del congelador puede estar ligeramente abierta. Ver en la sección Problema "Problemas con la Puerta"

El control de la temperatura está en un ajuste demasiado frío. Gire el control a un ajuste más caliente. Deje pasar varias horas para que se estabilice la temperatura

El empaque de la puerta del congelador puede estar sucio, gastado, agrietado o deficientemente colocado. Limpie o cambie el empaque. Si existen escapes a través del empaque de la puerta el congelador funciona por períodos más largos para mantener la temperatura deseada

Las temperaturas dentro del congelador son demasiado frías.

El control de la temperatura está ajustado a demasiado frío. Gire el control de la temperatura a un ajuste menos frío. Deje pasar algunas horas para que la temperatura se estabilice

Las temperaturas dentro del congelador están demasiado calientes.

El control de la temperatura está puesto en un ajuste demasiado caliente. Gire el control a un ajuste más frío. Deje pasar varias horas para que la temperatura se estabilice

La puerta se ha dejado abierta por períodos muy largos o con mucha frecuencia. El aire caliente entra al congelador cada vez que la puerta se abre. Abra la puerta con menos frecuencia

La puerta del congelador puede estar ligeramente abierta. Ver "Problemas con la Puerta" en la sección Problema

Recientemente se han almacenado grandes cantidades de alimento caliente o tibio. El alimento tibio causará que el congelador trabaje más hasta que se alcanza la temperatura deseada

El congelador ha sido desenchufado recientemente por un período de tiempo. El congelador requiere 4 horas para enfriarse completamente

La temperatura de la superficie externa del congelador es elevada.

El gabinete del congelador se siente caliente al tocarlo. El congelador está funcionando normalmente, sacando aire caliente del interior.

SONIDOS Y RUIDOS

Niveles de ruidos más fuertes cuando el congelador está en marcha.

Los congeladores modernos tienen mayor capacidad de almacenamiento y temperaturas más uniformes. Ellos requieren un compresor de alta velocidad. Esto es normal



PROBLEMA

SOLUCION

RUIDOS Y SONIDOS (cont.)

Niveles de ruidos más fuertes cuando el compresor está en marcha. El congelador funciona a presiones más altas durante el comienzo del ciclo ON (En marcha) Esto es normal. El nivel de ruido se reducirá o desaparecerá a medida que el congelador continúa funcionando.

Se escucha un chasquido cuando el compresor se pone en marcha. Las piezas de metal están sujetas a expansión y contracción, como en las tuberías del agua caliente. Esto es normal. El nivel del sonido bajará o desaparecerá a medida que el congelador continúa funcionando.

Sonido burbujeante, como de agua que está hirviendo. El refrigerante (usado para enfriar el congelador) está circulando a través del sistema. Esto es normal.

Ruido de vibración. El congelador no está nivelado. Se mece en el piso cuando apenas se toca. Ajuste los tornillos niveladores. Consulte "Nivelación" en la sección *Para Comenzar*.

El suelo está disparejo o débil. El congelador se balancea en el piso cuando es movido. Asegúrese de que el piso puede soportar adecuadamente al congelador. Nivele el piso colocando tablitas de madera bajo la parte del congelador que no esté nivelada.

El congelador está tocando la pared. Vuelva a nivelar el congelador o muévelo ligeramente. Consulte "Nivelación" en la sección *Para Comenzar*.

AGUA/HUMEDAD/ESCARCHA DENTRO DEL CONGELADOR

Se forma humedad en las paredes interiores del congelador. El tiempo está caluroso y húmedo, lo cual aumenta la velocidad de acumulación de escarcha en el interior. Esto es normal.

La puerta del congelador puede estar ligeramente abierta. Ver "Problemas con la Puerta" en la sección Problema.

La puerta es mantenida abierta por un período demasiado largo o es abierta con demasiada frecuencia. Entra aire caliente al congelador cada vez que la puerta se abre. Abra la puerta con menos frecuencia.

AGUA/HUMEDAD/ESCARCHA DENTRO DEL CONGELADOR

Se forma humedad en el exterior del congelador. La puerta está ligeramente abierta, causando que el aire frío del interior del congelador se una al aire húmedo caliente exterior. Ver "Problemas con la Puerta" en la sección Problema.

OLOR EN EL CONGELADOR

El interior debe ser limpiado. Limpie el interior con una esponja, agua tibia y bicarbonato de soda.

Existen alimentos con olores fuertes en el congelador. Cubra bien el alimento.

PROBLEMAS DE LA PUERTA

La puerta no cierra. El congelador no está nivelado. Se balancea en el piso cuando se mueve. Esto puede hacer que el gabinete no esté a escuadra y desalinearse la puerta. Consulte la sección "Nivelación" en *Para Comenzar*.

El suelo está disparejo o débil. El congelador se balancea en el piso cuando es movido. Asegúrese de que el piso puede soportar adecuadamente al congelador. Nivele el piso colocando tablitas de madera bajo la parte del congelador que no está nivelada.

LA AMPOLLETA NO ENCIENDE

La ampolleta está quemada. Siga las instrucciones indicadas bajo "Luz Interior" en la sección *Características del Congelador*.

No llega corriente eléctrica al congelador. Ver "El Congelador No Funciona" en la sección "Problema".

Servicio Sears



"Nosotros Reparamos lo que Vendemos" es nuestra garantía de que usted puede depender de Sears para servicio. y el servicio de Sears lo puede conseguir a través de todo el país. Su acondicionador de aire tiene mayor valor cuando se considera que Sears tiene centros de servicio a través de todo el país, con técnicos entrenados por Sears. técnicos específicamente entrenados en los artefactos Sears y que cuentan con las piezas, herramientas y equipo para asegurarle que cumplimos con nuestra promesa. "Nosotros reparamos lo que vendemos."

Convenio de Mantenimiento de Sears

Conserve el valor de su acondicionador de aire Kenmore® adquiriendo el convenio de Mantenimiento Sears. Los acondicionadores de aire Sears están diseñados, fabricados y probados para funcionamiento confiable durante muchos años. Sin embargo, cualquier artefacto moderno puede, de vez en cuando, necesitar servicio.

El Convenio de Mantenimiento Sears

- Es su manera de comprar la reparación del mañana al precio de hoy
- Elimina las cuentas de reparaciones resultantes del uso normal.
- Permite tantas llamadas de servicio como sean necesarias
- Proporciona servicio por técnicos profesionales entrenados por Sears
- Ofrece mantenimiento preventivo anual si lo solicita

Este convenio de mantenimiento no cubre la instalación original, la reinstalación o daño resultante de causas externas tales como casos fortuitos, abuso, robo, incendio, inundaciones, viento, rayos, congelación, falla de energía, reducción de potencia, etc. Solicite a un vendedor que le explique todos los términos y condiciones del convenio.

Garantía

ESPAÑOL

Garantía Completa de un Año para el Congelador

Dentro de un año a partir de la fecha de compra, cuando este congelador es operado y mantenido para enfriamiento normal de habitaciones de acuerdo a las instrucciones en este manual del usuario, Sears reparará este acondicionador de aire, gratis, si existe defecto de material o mano de obra.

Garantía Completa de Cinco Años en el Sistema de Refrigeración Sellado

Durante cinco años a partir de la fecha de compra cuando este acondicionador de aire es operado y mantenido para enfriamiento normal de habitaciones de acuerdo a las instrucciones de este manual del usuario, Sears reparará el sistema de refrigeración sellado (que consiste en el refrigerante, tubo de conexión y compresor) gratuitamente, si existe defecto de material o mano de obra. La garantía indicada anteriormente se aplica solamente a los congeladores que han sido usados para conservación de alimentos en hogares privados solamente.

Limitación de la Garantía por Pérdida de Alimentos

Si informa oportunamente a su Centro de Servicio o Almacén Sears más cercano, Sears reembolsará hasta un total de \$100.00 del valor de alimentos, según lo verifique Sears, perdidos durante almacenamiento en el congelador cuando es usado en hogares privados como resultado de:

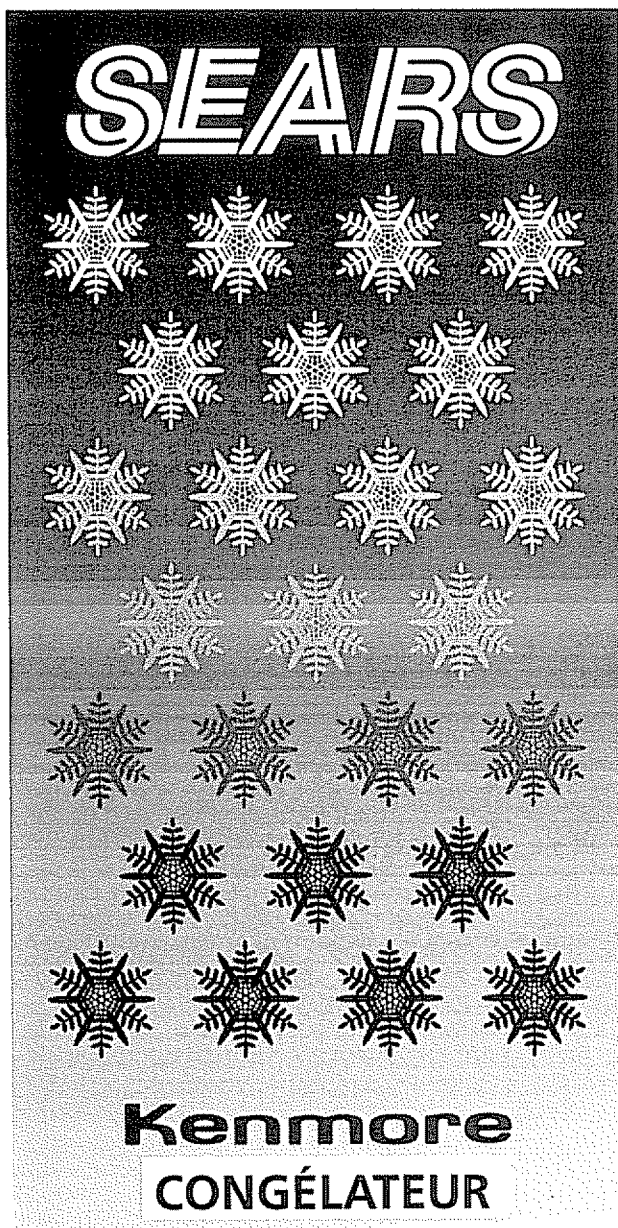
1. Defectos que ocurran durante el primer año a partir de la fecha de compra
2. Falla del sistema de refrigeración sellado (incluyendo refrigerante, tubería de conexión y compresor) debido a defectos que ocurran durante el segundo hasta el quinto año después de la compra. Si el congelador es usado para otros propósitos que no sea la conservación de alimentos en hogares privados, Sears no se hará responsable de ninguna pérdida de alimento. Las pérdidas de alimentos que resulten de otras causas que no sean los defectos indicados anteriormente, tales como descomposición natural, interrupción de la energía eléctrica, energía eléctrica inadecuada, desconexión manual de la energía eléctrica, daño a causa de incendio, daño por agua, robo, etc., están fuera de nuestro control y no están cubiertas por la garantía de Sears. Algunos estados no permiten la exclusión o limitación de daños incidentales o consecuentes, por tanto la limitación o exclusión anterior puede que no se aplique en su caso. Esta garantía le otorga derechos legales específicos y usted puede tener otros derechos que varían de un estado a otro.

La garantía de servicio está disponible si se pone en contacto con el DEPARTAMENTO/CENTRO DE SERVICIO SEARS MAS CERCANO en los EE.UU. o llamando al 1-800-4-REPAIR. Para REPUESTOS llame al 1-800-FON PART.

SEARS, ROEBUCK and CO.,
3333 Beverly Road
Hoffman Estates, IL 60719

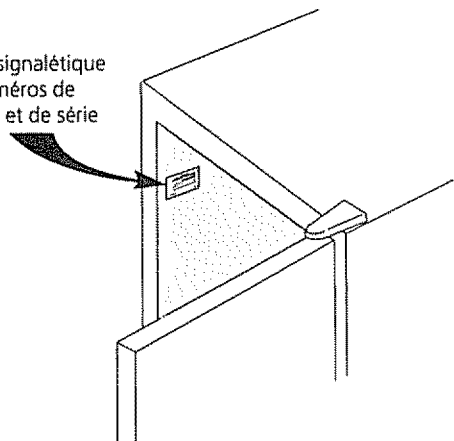
IMPRESO EN EE UU

Guide de l'utilisateur



Importantes mesures de sécurité	2
Pour bien commencer	2-3
Réglage de la commande de température	4
Caractéristiques du congélateur	4-5
Entretien et nettoyage	6-7
Panne de courant/panne du congélateur	7
Conseils pour économiser l'énergie	7
Liste de contrôle anti-panne	8-9
Service après-vente	10
Garantie	10

Plaque signalétique
des numéros de
modèle et de série



Lisez et conservez ces instructions

Inscrivez les numéros de modèle et de série

Inscrivez ci-dessous les numéros de modèle et de série. La plaque signalétique est située sur la paroi gauche supérieure, à l'intérieur (modèles verticaux), ou sur la paroi gauche à l'extérieur (modèles horizontaux).

Numéro de modèle _____

Numéro de série _____

Date de l'achat _____

Importantes mesures de sécurité

Lisez toutes les instructions avant d'utiliser ce congélateur.

AVERTISSEMENT Pour votre sécurité

N'entreposez pas et n'utilisez pas d'essence ou autres vapeurs et liquides inflammables à proximité de cet appareil ou d'un autre. Lisez les étiquettes donnant les caractéristiques d'inflammabilité et autres avertissements

AVERTISSEMENT Sécurité des enfants

- Détruisez le cartonnage, les sacs plastiques et tout matériau d'emballage immédiatement après le déballage du congélateur. Les enfants ne devraient jamais se servir de ces articles pour jouer. Les cartonnages recouverts de tapis, housses plastiques, couvertures ou matériaux extensibles risquent en effet de ne pas laisser passer d'air et d'asphyxier.
- Un enfant peut s'étouffer s'il se cache ou joue dans un congélateur. Enlevez la porte d'un congélateur non utilisé, même si vous décidez de le jeter. De nombreuses communautés ont des lois vous demandant de respecter cette mesure de sécurité

AVERTISSEMENT Électricité

Ces directives doivent être suivies pour que les mécanismes de sécurité de ce congélateur fonctionnent correctement.

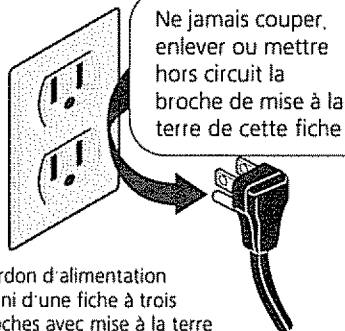
- **Reportez-vous à la plaque signalétique pour connaître les caractéristiques nominales du courant.** Le cordon de l'appareil est muni d'une fiche à trois broches avec mise à la terre pour éviter les décharges électriques. Elle doit être branchée directement dans une prise murale mise à la terre, à trois alvéoles, protégée par un coupe-circuit ou un fusible à action retardée de 15 A. La prise doit être installée conformément aux codes et règlements locaux. Consultez un électricien qualifié.
- Si la tension varie de 10% ou plus, les performances de votre congélateur risquent d'en être affectées, et le moteur endommagé. Un tel dommage n'est pas couvert par la garantie. Si vous soupçonnez que la tension est élevée ou basse, communiquez avec votre compagnie d'électricité
- Pour éviter que le congélateur ne soit accidentellement débranché, ne le branchez pas dans une prise commandée par un interrupteur mural ou un cordon de tirage. **N'utilisez PAS de cordon prolongateur ni de fiche d'adaptation.**
- Ne pincez pas, ne tordez pas, ne nouez pas le cordon d'alimentation

AVERTISSEMENT Autres précautions

- Ne débranchez jamais le congélateur en tirant sur le cordon. Saisissez toujours bien la fiche et sortez-la de la prise en tirant droit vers vous
- Pour éviter les décharges électriques, débranchez le congélateur avant de le nettoyer ou de le dégivrer. **Remarque:** En mettant la commande sur «OFF» (ARRÊT), vous ne coupez pas l'alimentation des composants électriques, mais du compresseur seulement

AVERTISSEMENT Éviter tout risque de feu ou de choc électrique. Ne pas utiliser de cordon prolongateur ni fiche d'adaptation. N'enlever aucune des broches du cordon.

Prise murale mise à la terre



Cordon d'alimentation muni d'une fiche à trois broches avec mise à la terre

FRANÇAIS

Pour bien commencer

Avant de mettre en marche le congélateur, prenez connaissance des points suivants:

Installation

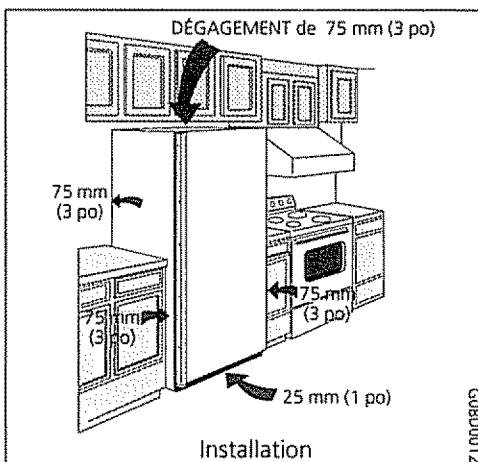
- Choisissez un endroit près d'une prise mise à la terre.
- Pour assurer un fonctionnement des plus efficace, placez le congélateur à un endroit où les températures ambiantes ne dépasseront pas 43°C (110°F)
- Laissez un espace de 75 mm (3 pouces) de chaque côté du congélateur pour assurer une bonne circulation de l'air.

Mise à niveau (modèles verticaux)

Le congélateur doit avoir ses quatre coins inférieurs reposant fermement sur un plancher solide. Le plancher doit être assez résistant pour supporter un congélateur plein. Vérifiez la caisse avec un niveau, d'un côté à l'autre. Après avoir jeté le socle en bois et les vis ayant servi à l'expédition, **mettez la caisse à niveau**, ainsi:

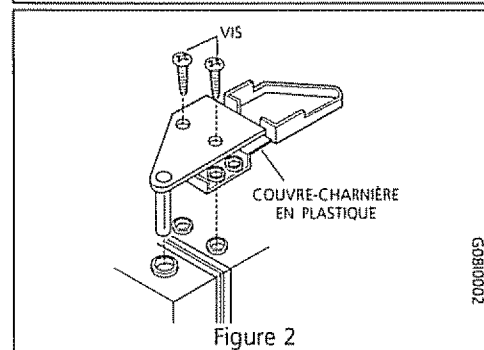
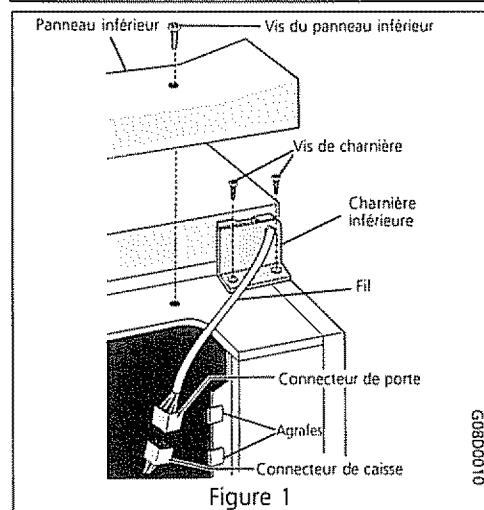
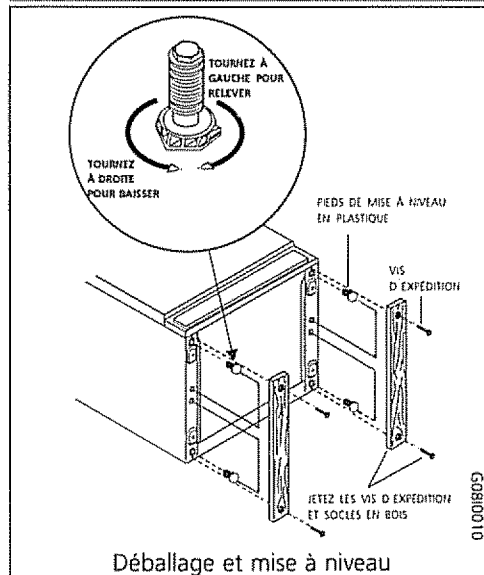
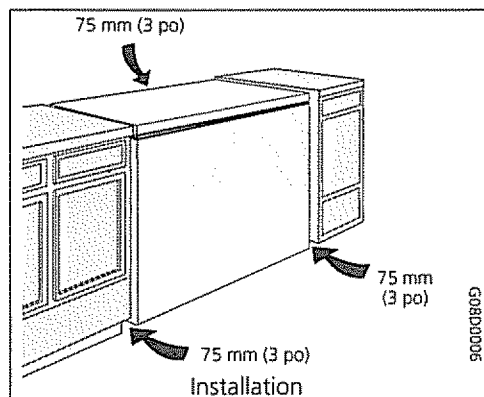
1. Vissez les pieds de mise à niveau, aussi loin que possible
2. Remettez doucement la caisse en position verticale et mettez-la en place
3. Réglez au besoin les pieds de mise à niveau

Les pieds de mise à niveau avant des modèles verticaux seulement doivent être relevés, juste assez pour que la porte se ferme facilement lorsqu'elle est à moitié ouverte



Pour bien commencer

(suite)



Dépose de la porte (modèles verticaux)

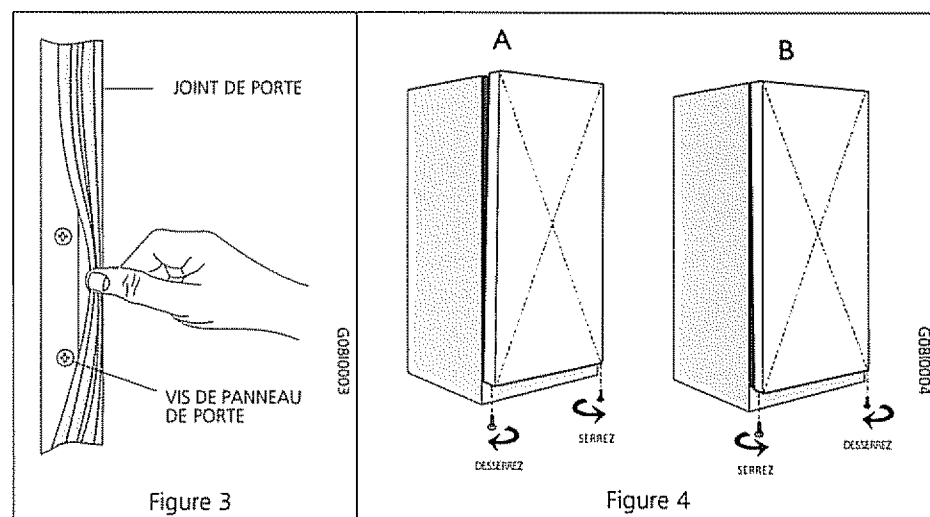
Pour enlever la porte s'il faut passer dans des couloirs étroits:

1. Placez doucement le congélateur sur l'arrière en le reposant sur une couverture ou un tapis
2. Enlevez le panneau inférieur en dévissant les deux vis de l'avant du panneau. Enlevez le fil des agrafes au fond de la caisse (figure 1)
3. Débranchez le connecteur en maintenant le connecteur de la caisse en place puis en détachant le connecteur de la porte (figure 1)
4. En haut de la caisse, enlevez le couvre-charnière en plastique et rabattez-le (figure 2).
5. À l'aide d'un tournevis Phillips®, desserrez puis resserrez les vis sur la charnière supérieure pour que l'ensemble soit bien fixé et que la charnière ne glisse pas
6. Enlevez la charnière supérieure de la caisse et sortez la porte de l'axe de charnière inférieure
7. Une fois la porte enlevée, enlevez les deux vis de la charnière inférieure
8. Pour remettre en place la porte, inversez les étapes ci-dessus

Réglages de la porte (modèles verticaux)

Si le joint de porte ne ferme pas bien hermétiquement.

1. Desserrez toutes les vis sur le pourtour du panneau de porte (figure 3) Sur les modèles de 9 pieds cubes, fermez la porte brusquement pour la réaligner avec la caisse, puis resserrez toutes les vis du panneau
2. Sur les modèles de plus grande capacité, réglez les deux vis **sur le bord inférieur de la porte** (figure 4)
 - Si la porte ne ferme pas en haut, suivez le dessin A
 - Si la porte ne ferme pas en bas, suivez le dessin B
3. Après le réglage, resserrez toutes les vis du panneau de porte.



Nettoyage

- Nettoyez toutes les pièces amovibles, l'intérieur et l'extérieur avec de l'eau tiède et un détergent doux. Essuyez.
 - **N'UTILISEZ PAS D'ABRASIFS PUISSANTS SUR CES SURFACES.** Pour enlever les étiquettes adhésives, n'utilisez pas de lame de rasoir ou autre instrument tranchant risquant de rayer le fini. Enlevez la colle restante du ruban ou de l'étiquette sur l'énergie avec un mélange d'eau tiède et de détergent doux ou bien avec le côté collant du ruban ou de l'étiquette enlevée.
- N'ENLEVEZ PAS LA PLAQUE SIGNALÉTIQUE.**

Réglage de la commande de température

Période de refroidissement

- Pour assurer une bonne conservation des aliments, laissez le congélateur refroidir complètement pendant 4 heures. Le congélateur fonctionnera continuellement les quelques premières heures. Les aliments déjà congelés peuvent être placés dans le congélateur après les premières heures de fonctionnement. Les aliments non congelés NE devraient PAS être rangés dans le congélateur tant qu'il n'a pas fonctionné pendant 4 heures.
- Lorsque vous remplissez le congélateur, ne congelez que 3 lb d'aliments par pied cube d'espace de congélateur en une seule fois. Répartissez les paquets dans tout le congélateur. Il n'est pas nécessaire de tourner le bouton de commande à un réglage plus froid lors de la congélation des aliments.

Commande de température

La commande de température a été pré-réglée en usine à la position 1 qui assure des températures satisfaisantes de conservation. Le bouton de commande est réglable selon une gamme de températures correspondant à vos besoins personnels. Cette commande est située à l'intérieur sur les modèles verticaux et sur la paroi externe gauche des modèles horizontaux. Si vous désirez une température plus basse, tournez le bouton vers un chiffre plus élevé. N'augmentez que d'un chiffre à la fois et attendez plusieurs heures que les températures se stabilisent après le réglage.

Caractéristiques du congélateur

Votre congélateur peut avoir certaines des caractéristiques énumérées ci-dessous, ou encore toutes celles-ci. Apprenez à les connaître et familiarisez-vous avec leur utilisation et leur entretien.

Témoin de fonctionnement

Ce témoin indique que le congélateur est correctement branché au courant électrique. Le témoin reste allumé même lorsque la commande de température est à l'arrêt. Si le témoin s'éteint, reportez-vous à **Le congélateur ne fonctionne pas** dans la liste de contrôle anti-panne. Si le congélateur semble fonctionner, l'élément est peut-être grillé. Appelez un réparateur autorisé pour le remplacer.

Alarme de température (certains modèles)

Cette caractéristique avertit lorsque les températures à l'intérieur s'élèvent à un niveau dangereux. L'alarme de température est branchée sur le courant électrique domestique. En cas de panne de courant, elle ne fonctionne pas. Le voyant de l'alarme de température ne brille que si la température du compartiment de rangement s'élève à un niveau qui est dangereux pour la conservation de la nourriture à long terme. En plus, lorsque l'alarme de température est en marche, une sonnerie retentit. Une fois que la sonnerie a retenti, elle peut être arrêtée en appuyant sur «Temp Alarm Off» (ARRÊT DE L'ALARME DE TEMP). Le voyant continue à clignoter jusqu'à ce que le congélateur ait atteint des températures de congélation non dangereuses.

Le congélateur est expédié avec l'alarme à la position arrêt. Une fois que le congélateur a fonctionné pendant environ 4 heures, le voyant rouge de l'alarme de température s'arrête de clignoter et l'alarme de température peut être activée.

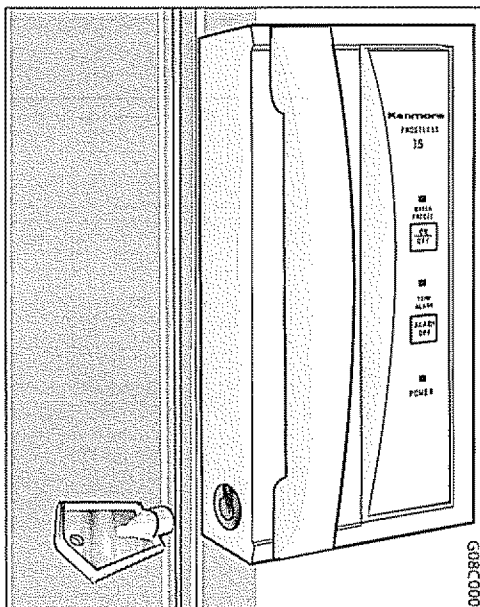
Témoin lumineux de l'alarme de température

Fonction	Fonction
Voyant éteint, sonnerie silencieuse	Fonctionnement normal
Voyant ROUGE clignote, sonnerie silencieuse	Installation initiale ou panne de courant prolongée, indiquant que la température est tiède
Voyant ROUGE clignote, sonnerie retentit	Température tiède. Pour arrêter la sonnerie, appuyez sur le bouton «OFF» (ARRÊT) de l'alarme de température. Voyez les problèmes possibles dans la liste de contrôle anti-panne.

Congélation rapide (certains modèles)

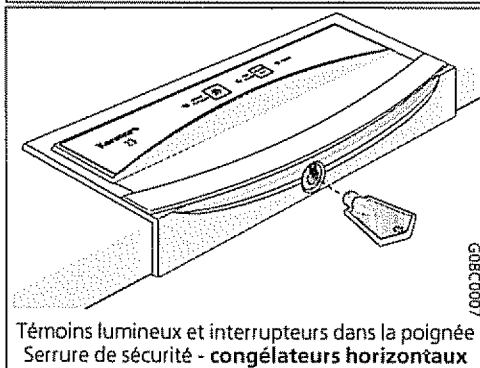
Pour activer cette caractéristique, appuyez sur «Quick Freeze ON/OFF» (bouton MARCHE/ARRÊT de congélation rapide). Un voyant vert apparaît et le congélateur se met en marche en continu (sauf lors du dégivrage éclair), amenant les températures du congélateur au niveau le plus froid possible. Arrêtez cette caractéristique lorsque vous n'en avez pas besoin. Ne l'utilisez que juste avant d'ajouter de grandes quantités de denrées non congelées (ne dépassez pas 3 livres par pied cube d'espace de congélateur).

FRANÇAIS



Témoins lumineux et interrupteurs dans la poignée
Serrure de sécurité - congélateurs verticaux

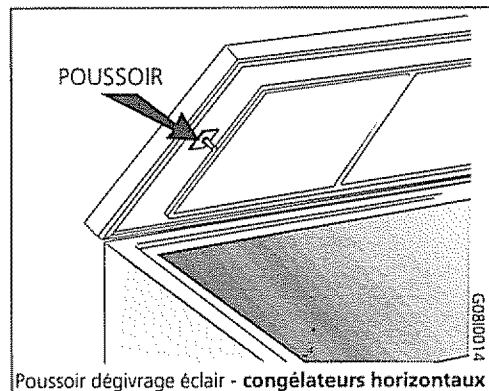
GOBCC0006



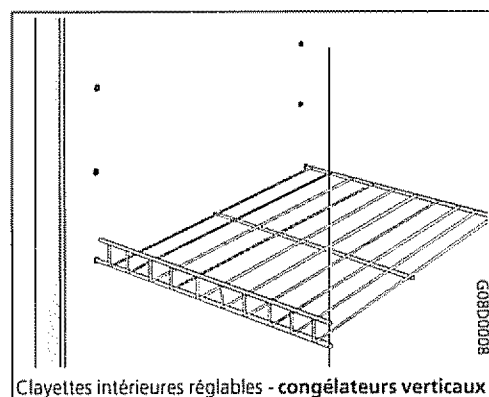
Témoins lumineux et interrupteurs dans la poignée
Serrure de sécurité - congélateurs horizontaux

GOBCC0007

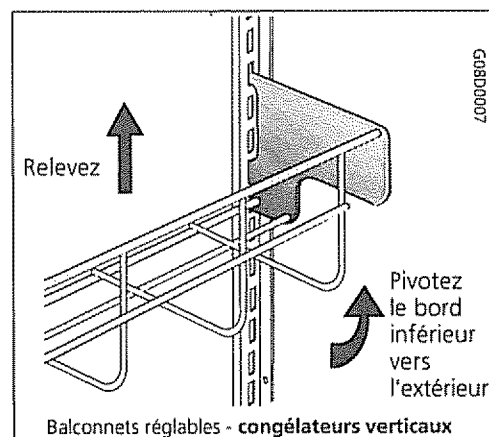
Caractéristiques du congélateur (suite)



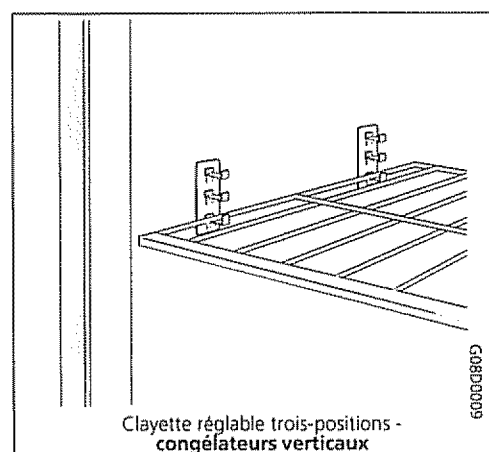
Poussoir dégivrage éclair - congélateurs horizontaux



Clayettes intérieures réglables - congélateurs verticaux



Balconnets réglables - congélateurs verticaux



Clayette réglable trois-positions - congélateurs verticaux

Dégivrage éclair (certains modèles horizontaux)

Note: Arrêtez l'alarme de température lorsque le congélateur est en cours de dégivrage. Le dégivrage éclair permet le dégivrage du congélateur en une fraction du temps habituellement nécessaire. Pour dégivrer, **enlevez toute la nourriture** et suivez ces étapes:

- Tirez le poussoir du dégivrage éclair. Laissez la porte ouverte lors du dégivrage. (La fermeture du couvercle du congélateur sur les modèles horizontaux enfonce le poussoir en arrêtant le dégivrage éclair.)
- Appuyez sur le poussoir du dégivrage éclair pour remettre en marche le congélateur après le dégivrage.
- Mettez l'alarme de température en marche une fois que le congélateur a atteint les températures de congélation.

Étagère à boîtes de jus (modèles verticaux)

L'étagère à boîtes de jus dans la porte du congélateur est conçue tout spécialement pour le rangement des canettes de jus congelé, les empêchant de rouler hors de l'étagère.

Serrure de sécurité à ressort

La serrure empêche les enfants et autres personnes d'ouvrir le congélateur. Pour verrouiller ou déverrouiller le congélateur, enfoncez la clé dans la serrure et tournez-la. La clé s'éjecte de la serrure une fois qu'elle a été tournée. Voyez l'avertissement sur la clé au sujet des enfants.

Clayettes intérieures réglables (modèles verticaux)

Les clayettes intérieures à multi-positions peuvent être déplacées à toute position selon la dimension des paquets. Les entretoises d'expédition qui stabilisent les clayettes lors de l'expédition peuvent être enlevées et jetées.

Balconnets réglables (modèles verticaux)

Pour les installer, les enlever ou les régler, soulevez le balconnet et faites tourner le bord inférieur vers l'extérieur.

Clayette réglable trois-positions (modèles verticaux)

Cette clayette peut être déplacée à l'une des trois positions possibles. Pour ce faire, soulevez-la pour la sortir et réinstallez-la sur une autre série de supports.

Support ou panier coulissant (modèles verticaux)

Un support (certains modèles) ou un panier coulissant (certains modèles), situé au bas du congélateur, permet de ranger séparément des articles difficiles à poser sur les clayettes. Pour enlever le panier ou le support, tirez-le et soulevez-le.

Panier soulevable (modèles horizontaux)

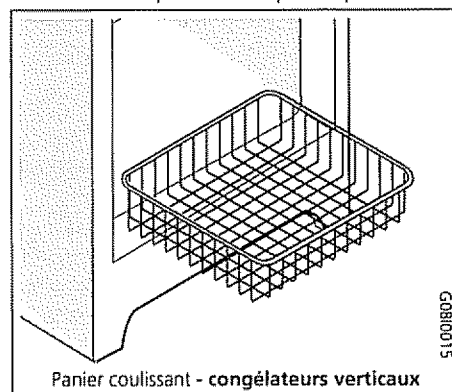
Ce panier permet de ranger des articles de formes diverses. Pour atteindre d'autres paquets dans le congélateur, coulissez le panier de côté ou soulevez-le.

Diviseur/plateau de dégivrage (modèles horizontaux)

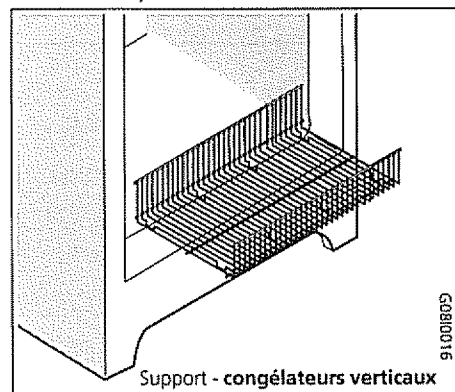
Le diviseur/plateau de dégivrage a deux usages: espace de rangement pratique et plateau creux lors du dégivrage. Pour l'enlever, soulevez-le tout droit de ses supports.

Éclairage intérieur

La lampe s'allume automatiquement à l'ouverture de la porte. Pour remplacer l'ampoule, tournez la commande de température sur «OFF» (ARRÊT) et débranchez le cordon. Remplacez l'ampoule par une autre de même puissance.



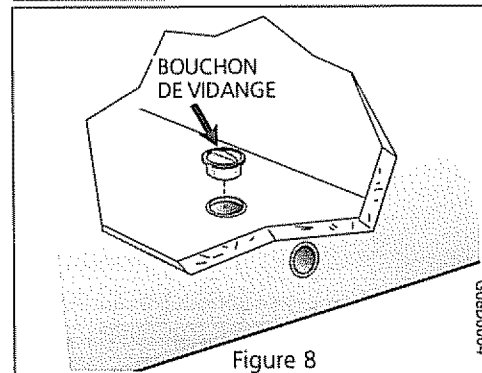
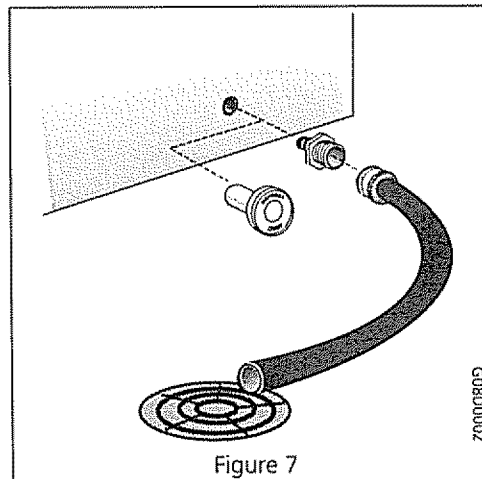
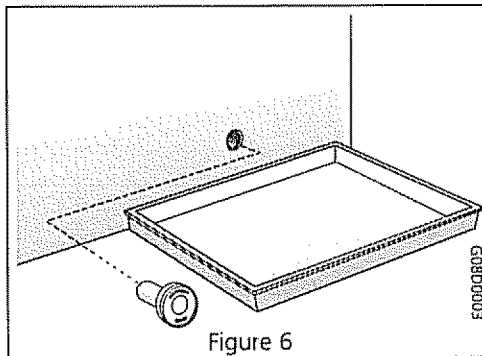
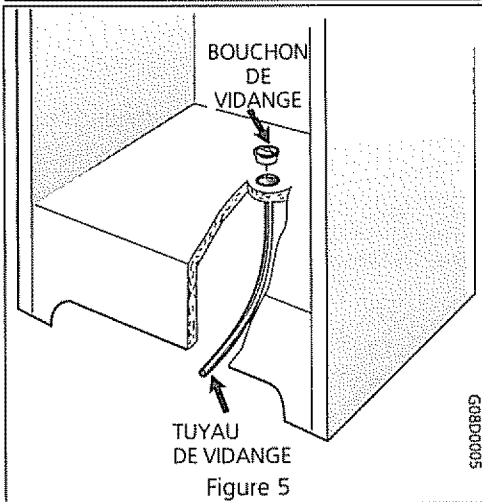
Panier coulissant - congélateurs verticaux



Support - congélateurs verticaux

Entretien et nettoyage

AVERTISSEMENT Les objets humides collent aux surfaces métalliques froides. Ne pas toucher ces surfaces avec les mains humides.



Certains congélateurs verticaux sont sans givre et se dégivrent donc automatiquement. Il faut cependant les nettoyer de temps à autre. Avant de décongeler ou de nettoyer, tournez la commande de température sur «OFF» (ARRÊT) et débranchez le cordon de la prise. En tournant la commande sur ARRÊT, vous ne coupez pas le courant aux autres composants électriques.

Entre les dégivrages

Pour éviter le dégivrage fréquent, enlevez de temps à autre le givre à l'aide d'un grattoir en plastique. Grattez en remontant. Ne vous servez jamais d'instrument métallique.

Dégivrage

Il est important de dégivrer et de nettoyer le congélateur dès présence de 6 à 12 mm (1/4 à 1/2 pouce) de givre. Le givre s'accumule plus rapidement sur la partie supérieure du congélateur par suite de l'entrée d'air humide et tiède lorsque la porte ou le couvercle est ouvert. Enlevez la nourriture et laissez la porte ou le couvercle ouvert lors du dégivrage.

- Sur les modèles verticaux avec vidange de l'eau de dégivrage (figure 5), enlevez le bouchon de vidange au fond du congélateur en le tirant vers vous. Le tuyau de vidange est situé près du centre gauche sous le congélateur, derrière le panneau inférieur. Placez un plat creux sous le tuyau de vidange. L'eau du dégivrage va s'y écouler. Vérifiez de temps à autre que l'eau ne déborde pas. Remettez le bouchon en place lorsque dégivrage et nettoyage sont terminés. Si la vidange est restée ouverte, de l'air chaud peut entrer dans le congélateur.
- Sur les modèles horizontaux avec vidange de l'eau de dégivrage, placez un récipient creux ou le diviseur/plateau de dégivrage (fourni avec certains modèles) sous l'orifice de vidange (figure 6). Un adaptateur de tuyau de jardin d'un demi-pouce peut servir à vidanger le congélateur directement dans un drain de plancher (figure 7). Si votre modèle n'a pas d'adaptateur, vous pouvez en acheter un dans une quincaillerie. Sortez la bonde à l'intérieur du congélateur et enlevez le bouchon de vidange extérieur (figure 8). L'eau du dégivrage va s'écouler. Vérifiez de temps à autre que l'eau ne déborde pas. Remettez en place le bouchon de vidange et la bonde une fois le dégivrage terminé.
- Sur les modèles sans vidange de l'eau de dégivrage, placez des serviettes ou journaux au fond du congélateur pour retenir le givre. Le givre va se détacher et tomber. Enlevez les serviettes et/ou les journaux.
- Si le givre est mou, enlevez-le à l'aide d'un grattoir plastique. S'il est dur et brillant, remplissez de profonds récipients avec de l'eau chaude et placez-les au fond du congélateur. Fermez le congélateur. Le givre devrait se ramollir en 15 minutes environ. Au besoin, répétez cette dernière opération.

Nettoyage de l'intérieur

Après le dégivrage, nettoyez les surfaces internes du congélateur avec une solution composée de deux cuillères à soupe de bicarbonate de soude dans 1 litre (1 pinte) d'eau tiède. Rincez et séchez. Essorez bien votre chiffon ou votre éponge pour nettoyer autour des commandes ou des pièces électriques.

Lavez les pièces amovibles avec une solution de bicarbonate de soude comme ci-dessus, ou de l'eau tiède additionnée de détergent doux. Rincez et séchez. Nettoyez le joint de la porte avec de l'eau légèrement savonneuse, rincez à l'eau claire et essuyez.

N'utilisez **jamais** de tampon à récurer métallique, brosse, produit nettoyant abrasif ou solution alcaline sur une surface du congélateur, quelle qu'elle soit. Ne lavez pas les parties amovibles dans un lave-vaisselle.

Nettoyage de l'extérieur

Lavez la caisse à l'eau tiède additionnée de détergent liquide doux. Rincez bien et séchez avec un linge propre et doux. Remettez en place les pièces et la nourriture. Branchez le cordon dans la prise et tournez la commande à son réglage précédent.

Entretien et nettoyage

(suite)

⚠ AVERTISSEMENT

Si le congélateur est laissé ouvert pendant des congés, s'assurer que des enfants ne puissent rester emprisonnés à l'intérieur.

Conseils de vacances et déménagement

Courtes vacances: Laissez le congélateur fonctionner pendant des congés de une à trois semaines.

Longues vacances: Si le congélateur n'est pas utilisé pendant plusieurs mois, enlevez toute la nourriture, tournez la commande sur «OFF» (ARRÊT) et débranchez le cordon. Nettoyez et séchez l'intérieur soigneusement. Laissez la porte ou le couvercle légèrement ouvert en bloquant au besoin, pour empêcher moisissure et odeur.

Déménagement: Gardez le congélateur fermé. Laissez le congélateur à l'abri de la lumière directe du soleil et dans une atmosphère raisonnablement fraîche. De grandes quantités de nourriture resteront congelées plus longtemps que de petites quantités. Si le congélateur est débranché pendant 24 heures ou plus, suivez les conseils d'utilisation de glace sèche dans le chapitre Panne de courant/panne du congélateur.

Panne de courant/ panne du congélateur

Ne pas ouvrir le congélateur inutilement en cas de panne de courant.

En cas de panne de courant, les aliments resteront congelés au moins 24 heures si le congélateur reste fermé. Si la panne continue, placez sept ou huit livres de glace sèche dans le congélateur toutes les 24 heures. Cherchez dans les pages jaunes les fournisseurs sous «Glace sèche», «Laiteries» ou «Fabricants de crème glacée». Portez toujours des gants et soyez prudent lors de la manipulation de glace sèche.

Si le congélateur s'est arrêté de fonctionner, reportez-vous à **Le congélateur ne fonctionne pas** dans la liste de contrôle anti-panne. Si vous ne pouvez résoudre le problème, appelez immédiatement un réparateur autorisé.

N'ouvrez pas le congélateur inutilement. S'il ne fonctionne pas pendant plusieurs heures, suivez les instructions ci-dessus traitant de l'utilisation de glace sèche. Au besoin, apportez vos aliments dans un dépôt frigorifique local jusqu'à ce que le congélateur soit prêt à fonctionner. Regardez dans les pages jaunes sous «Entrepôts frigorifiques pour aliments congelés».

Conseils pour économiser l'énergie



- Placez le congélateur dans l'endroit le plus froid de la pièce, éloigné de la lumière du soleil et des conduits de chauffage ou appareils producteurs de chaleur.
- Laissez les aliments chauds refroidir à la température de la pièce avant de les ranger dans le congélateur. La surcharge du congélateur oblige le compresseur à fonctionner plus longtemps. Les aliments qui congèlent trop doucement risquent de perdre leur qualité ou de se gâter.
- Enveloppez correctement les aliments et essuyez les contenants avant de les ranger dans le congélateur. Ceci diminue la condensation à l'intérieur du congélateur.
- Les clayettes ne devraient pas être recouvertes de papier aluminium, papier ciré ou essuie-tout. Ces revêtements entravent la circulation de l'air froid, ce qui diminue l'efficacité du congélateur.
- Rangez bien les aliments et étiquetez-les pour réduire les ouvertures de porte et les recherches prolongées. Prenez autant d'articles que possible en même temps et fermez aussitôt la porte ou le couvercle.

FRANÇAIS

Liste de contrôle anti-panne

Avant d'appeler un agent de service, consultez cette liste. Vous pourriez économiser temps et argent. Cette liste décrit les situations courantes qui ne sont causées ni par un défaut de fabrication ni par un matériau défectueux.

PROBLÈME

SOLUTION

LE CONGÉLATEUR NE FONCTIONNE PAS

La commande est à la position «OFF» (ARRÊT). Voyez **Réglage de la commande de température**.

Le congélateur n'est peut-être pas branché ou la prise mal branchée. Assurez-vous que la fiche est bien enfoncée dans la prise électrique.

Le fusible ou le coupe-circuit a sauté ou s'est déclenché. Vérifiez/réenclenchez le coupe-circuit ou remplacez le fusible par un fusible de 15 A à action différée.

Panne de courant. Vérifiez les lumières de la maison. Appelez la compagnie d'électricité de votre région.

Le congélateur fonctionne trop ou trop longtemps.

La température ambiante ou à l'extérieur est élevée. Dans ces conditions, il est normal que le congélateur fonctionne plus.

Le congélateur a récemment été débranché, pendant quelque temps. Le congélateur a besoin de 4 heures pour refroidir complètement.

De grandes quantités d'aliments chauds ou tièdes ont été rangées récemment. Les aliments chauds font davantage fonctionner le congélateur et ce, jusqu'à ce qu'il ait atteint la température désirée.

Le congélateur est resté ouvert trop longtemps ou trop fréquemment. De l'air chaud y entre à chaque fois qu'il est ouvert. Ouvrez-le moins souvent.

Le congélateur est peut-être légèrement ouvert. Voyez **Problèmes de porte**.

La commande est placée en position trop froide. Tournez la commande sur un réglage plus chaud. Attendez plusieurs heures que la température se stabilise.

Le joint du congélateur est sale, usé, fendillé ou mal ajusté. Nettoyez ou remplacez le joint. Des fuites dans le joint peuvent faire fonctionner le congélateur plus longtemps afin de maintenir la température désirée.

Les températures à l'intérieur du congélateur sont trop basses.

La commande de température est en position trop froide. Tournez la commande à un réglage plus chaud. Attendez plusieurs heures que la température se stabilise.

Les températures à l'intérieur du congélateur sont trop élevées.

La commande de température est en position trop chaude. Tournez la commande à un réglage plus froid. Attendez plusieurs heures que la température se stabilise.

Le congélateur est resté ouvert trop longtemps ou trop fréquemment. De l'air chaud y entre à chaque fois qu'il est ouvert. Ouvrez-le moins souvent.

Le congélateur est peut-être légèrement ouvert. Voyez **Problèmes de porte**.

De grandes quantités d'aliments chauds ou tièdes ont été rangées récemment. Attendez que le congélateur ait atteint la température choisie.

Le congélateur a récemment été débranché, pendant quelque temps. Le congélateur a besoin de 4 heures pour se refroidir complètement.

La température de la surface externe est élevée.

La caisse du congélateur est toujours tiède au toucher. Le congélateur fonctionne normalement, en retirant l'air chaud de l'intérieur.

BRUITS

Bruits plus élevés lorsque le congélateur est en marche.

Les congélateurs d'aujourd'hui ont plus de capacité de rangement et des températures plus uniformes. Ils ont besoin d'un compresseur haute vitesse. Ceci est normal.

Bruits plus élevés lorsque le compresseur se met en marche.

Le congélateur fonctionne à de plus hautes pressions pendant la mise en marche du cycle de refroidissement. Ceci est normal. Les bruits se stabilisent ou disparaissent alors que le congélateur continue à fonctionner.

PROBLÈME

SOLUTION

BRUITS (suite)

Craquements lorsque le compresseur se met en marche.

Les composants métalliques se dilatent et se contractent comme des tuyaux d'eau chaude. Ceci est normal. Le bruit se stabilise ou disparaît alors que le congélateur continue à fonctionner.

Bruits de bouillonnement semblables à de l'eau qui bout.

Le réfrigérant (utilisé pour refroidir le congélateur) circule dans le système. Ceci est normal.

Bruits de ferraille ou de vibration.

Le congélateur n'est pas de niveau. Il oscille lorsqu'on le bouge à peine. Réglez les pieds de mise à niveau. Voyez **Mise à niveau** sous **Pour bien commencer**.

Le plancher est irrégulier ou faible. Le congélateur oscille lorsqu'on le bouge à peine. Assurez-vous que le plancher peut soutenir le congélateur. Mettez le plancher de niveau en utilisant des cales en bois sous le congélateur.

Le congélateur touche le mur. Refaites la mise à niveau du congélateur ou déplacez-le légèrement. Voyez **Mise à niveau** sous **Pour bien commencer**.

EAU/HUMIDITÉ/GIVRE À L'INTÉRIEUR DU CONGÉLATEUR

De la condensation se forme sur les parois intérieures.

Le temps est chaud et humide, ce qui augmente l'accumulation sur les parois intérieures. Ceci est normal.

Le congélateur est légèrement ouvert. Voyez **Problèmes de porte**.

Le congélateur est resté ouvert trop longtemps ou trop souvent. Ouvrez-le moins souvent.

EAU/HUMIDITÉ/GIVRE À L'EXTÉRIEUR DU CONGÉLATEUR

De la condensation se forme à l'extérieur du congélateur.

Le congélateur est légèrement ouvert, d'où rencontre de l'air froid venant de l'intérieur du congélateur avec l'air chaud et humide ambiant. Voyez **Problèmes de porte**.

ODEUR DANS LE CONGÉLATEUR

L'intérieur doit être nettoyé. Nettoyez l'intérieur avec éponge, eau tiède et bicarbonate de soude.

Des aliments dégageant une odeur forte sont dans le congélateur. Couvrez hermétiquement ces aliments.

PROBLÈMES DE PORTE

La porte ne ferme pas.

Le congélateur n'est pas de niveau. Il oscille lorsqu'on le bouge à peine. Cette condition peut déformer la caisse et désaligner la porte. Reportez-vous à **Mise à niveau** sous **Pour bien commencer**.

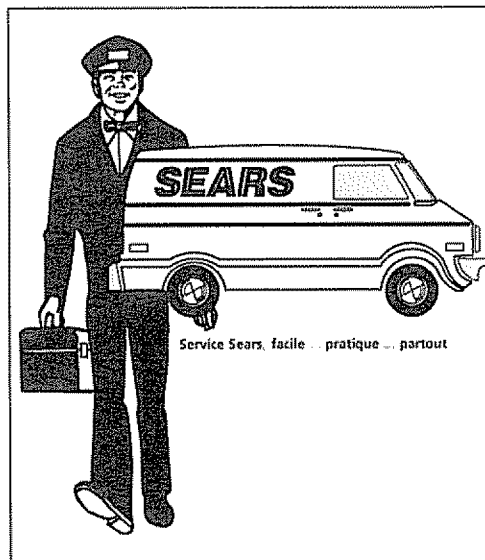
Le plancher est inégal ou faible. Le congélateur oscille lorsqu'on le bouge à peine. Mettez le plancher à niveau à l'aide de cales en bois ou en métal placées sous le congélateur ou renforcez le plancher.

L'AMPOULE NE S'ALLUME PAS

L'ampoule est grillée. Voyez **Éclairage intérieur** sous **Caractéristiques du congélateur**.

Il n'y a pas de courant qui arrive au congélateur. Voyez **Le congélateur ne fonctionne pas**.

Service après-vente Sears



«Nous réparons ce que nous vendons» est l'assurance sur laquelle vous pouvez compter chez Sears et le service après-vente Sears est offert dans tout le pays. Votre congélateur est encore plus précieux lorsque vous considérez que Sears dispose d'établissements de service après-vente dans tout le pays, dotés de techniciens professionnels spécialement formés pour les appareils Sears et possédant pièces, outillage et équipement pour que nous puissions répondre à notre formule : «Nous réparons ce que nous vendons»

Contrat d'entretien Sears

Maintenez la valeur de votre congélateur Kenmore® avec un contrat d'entretien Sears. Les congélateurs SEARS sont conçus, fabriqués et mis à l'essai pendant des années pour vous offrir un fonctionnement fiable. Cependant, comme tout appareil moderne, il peut de temps à autre avoir besoin de réparation.

Le contrat d'entretien Sears:

- Vous permet de bénéficier des réparations de demain au prix d'aujourd'hui.
- Supprime les factures de réparation résultant d'un usage normal.
- Vous permet de faire appel au technicien aussi souvent qu'il est nécessaire.
- Vous offre le service de techniciens professionnels formés par Sears.
- Vous propose un contrôle d'entretien préventif, sur demande.

Ce contrat d'entretien ne couvre pas l'installation de départ, la réinstallation ou les dommages résultant de causes externes telles que actes indépendants de notre volonté, emploi abusif, vol, incendie, inondation, vent, foudre, gel, panne de courant, baisse de tension, etc. Veuillez demander à un vendeur de vous présenter le contrat pour prendre connaissance de toutes les conditions.

Garantie

Garantie complète de un an sur le congélateur

À partir de la date d'achat, si ce congélateur fonctionne et est entretenu selon les instructions du guide de l'utilisateur, Sears réparera ce congélateur, gratuitement, en cas de défaut de matériau ou de fabrication.

Garantie complète de cinq ans sur le système de réfrigération scellé

Pendant cinq ans à partir de la date d'achat, si ce congélateur fonctionne et est maintenu selon les instructions du guide de l'utilisateur, Sears réparera gratuitement le système de réfrigération scellé (comprenant le réfrigérant, la tuyauterie et le compresseur), en cas de défaut de matériau ou de fabrication. La garantie ci-dessus ne s'applique qu'à des congélateurs utilisés à des fins domestiques.

Limite de la garantie en cas de nourriture avariée

Si vous le signalez rapidement à votre magasin ou centre de service après-vente Sears le plus proche, Sears vous remboursera jusqu'à concurrence de 100 \$ la valeur de la nourriture, vérifiée par Sears, qui a été perdue lorsqu'elle a été entreposée dans le congélateur utilisé à des fins domestiques, s'il s'agit de:

1. Défauts qui se sont produits pendant la première année suivant la date d'achat.
2. Panne du système de réfrigération scellé (y compris réfrigérant, tuyauterie et compresseur), par suite de défauts se produisant de la deuxième à la cinquième année après l'achat. Si le congélateur est utilisé à d'autres fins que domestiques, Sears ne sera aucunement responsable de la perte de nourriture. Les pertes de nourriture résultant de causes autres que les défauts énumérés ci-dessus, comme pourriture naturelle, interruption de courant, courant insuffisant, arrêt manuel de l'alimentation électrique, dommage par le feu, dommage par l'eau, vol, etc. sont indépendantes de notre volonté et ne sont pas couvertes par Sears. Quelques états ne permettent pas l'exclusion ou la limite de dommages directs ou indirects. La limite ou l'exclusion ci-dessus peut donc ne pas s'appliquer dans votre cas. Cette garantie vous donne des droits précis vis-à-vis de la loi. Vous pouvez aussi bénéficier d'autres droits qui peuvent varier d'une province à l'autre.

Le service en vertu de la garantie s'obtient en prenant contact avec le SERVICE/CENTRE DE SERVICE APRÈS-VENTE SEARS LE PLUS PROCHE aux États-Unis ou en composant 1-800-4-REPAIR. Pour les pièces, composez 1-800-FON-PART.

SEARS, ROEBUCK and CO.,
3333 Beverly Road
Hoffman Estates, IL 60719

IMPRIMÉ AUX É-U