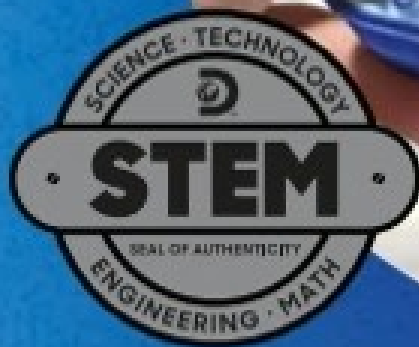


Discovery™



DIY RC Robot Dart Blaster

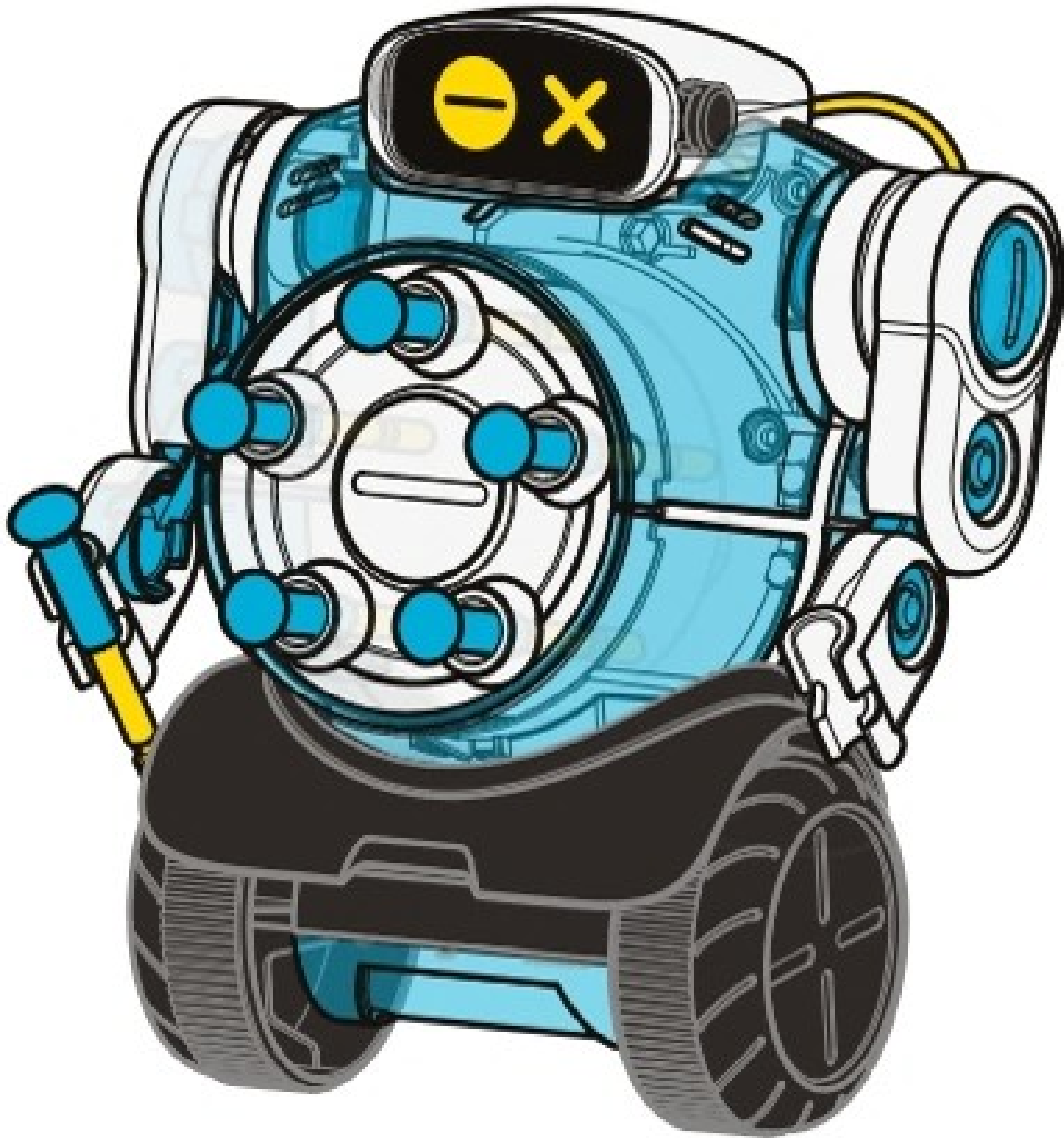
DIY MOBILE LAUNCHER BUILD KIT

AGES 8+



STEM

DIY RC Robot Dart Blaster





Please read all safety warnings before use

SAFETY WARNINGS

- Not intended for children under 8 years of age.
- Place finished structure on a hard, flat surface.
- Small parts can pose a choking hazard for children under 3 years of age.
- For indoor use only.
- Keep hands, face, hair and clothing away from all moving parts.
- Use this product only for its intended use.
- Do not modify darts or any components of the set.
- Do not leave unattended when not in use.
- Thoroughly inspect pieces before every use. If pieces appear worn, frayed/splintered, cracked, or broken in any manner, discontinue use and discard immediately.

BATTERY WARNINGS

- Do not mix old and new batteries.
- Do not mix alkaline, standard (carbon-zinc), or rechargeable batteries.
- Insert batteries using the correct polarity.
- Do not short-circuit the battery supply terminals.
- Remove batteries before storing.
- Recycle or dispose of batteries according to federal, state, and local laws.
- Do not dispose of batteries in fire, batteries may explode or leak.
- Always use, replace, and recharge (if applicable) batteries under adult supervision.
- Do not attempt to charge non-rechargeable batteries.
- Rechargeable batteries are to be removed from the toy before being charged.
- Rechargeable batteries are only to be charged under adult supervision.
- Exhausted batteries are to be removed from the toy.
- Alkaline batteries are recommended. Use only the specified voltage.
- Keep these instructions for future reference.

Model No.: 1020208

This device complies with Part 15 of the FCC Rules. Operation is subject to the following two conditions: (1) this device may not cause harmful interference, and (2) this device must accept any interference received, including interference that may cause undesired operation.

Warning: Changes or modifications to this unit not expressly approved by the party responsible for compliance could void the user's authority to operate the equipment.

NOTE: This equipment has been tested and found to comply with the limits for a Class B digital device, pursuant to Part 15 of the FCC Rules. These limits are designed to provide reasonable protection against harmful interference in a residential installation. This equipment generates, uses, and can radiate radio frequency energy and, if not installed and used in accordance with the instructions, may cause harmful interference to radio communications. However, there is no guarantee that interference will not occur in a particular installation. If this equipment does cause harmful interference to radio or television reception, which can be determined by turning the equipment off and on, the user is encouraged to try to correct the interference by one or more of the following measures:

- Reorient or relocate the receiving antenna.
- Increase the separation between the equipment and receiver.
- Connect the equipment into an outlet on a circuit different from that to which the receiver is connected.
- Consult the dealer or an experienced radio TV technician for help.

Contents



Top Blue Frame
x1



Bottom Blue Frame
x1



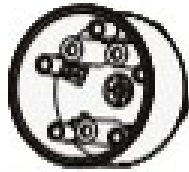
Rear Top Plate
x1



Rear Bottom Plate
x1



Front Cover Cylinder
x1



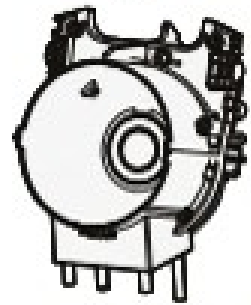
Dart Cylinder
x1



Elastic Ring
x1



Launcher Rod
x1



Body Frame
x1



Spring
x5



Dart Holder
x5



Battery Pack Holder
x1



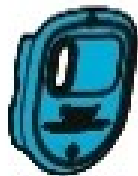
Screw Cap
x3



Hex Nut
x3



Battery Pack
x1



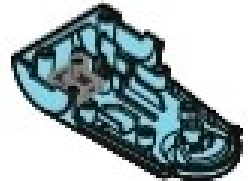
Battery Cover
x1



Saddle
x1



Top Housing
x1



Bottom Housing
x1



Steering Wheel
x1



Motor
x1



Wheel Rod
x2



Wheel
x2



Long Pin
x1



Big Gear
x1



Medium Gear
x1



Small Gear
x1



Medium Pin
x1



Small Pin
x1

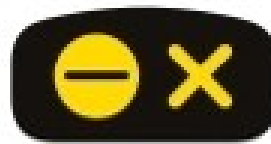
Contents



Ear
x2



Head
x1



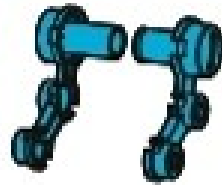
Sticker
x1



Power Wires
x1



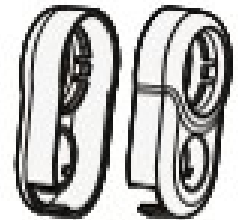
Shoulder
x2



Inner Arm
x2



Hand
x2



Sleeve
x2



Darts
x6



Screwdriver
x1



Big Screw
x2



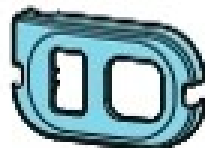
Screw
x27



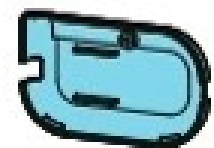
Remote Control
x1



Button
x2

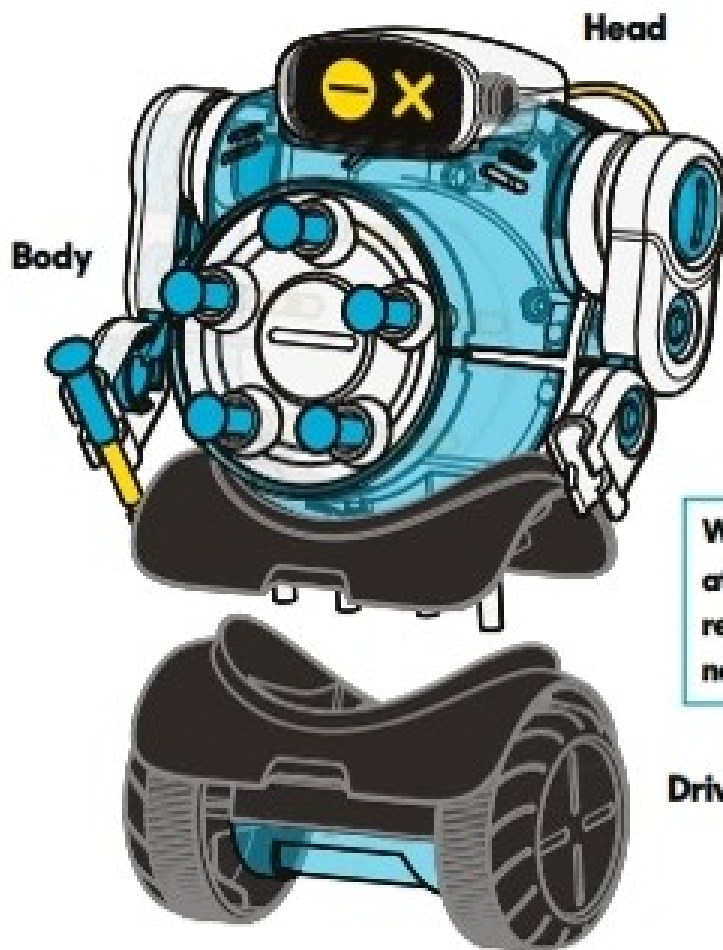


Remote Control Front Case
x1



Remote Control Rear Case
x1

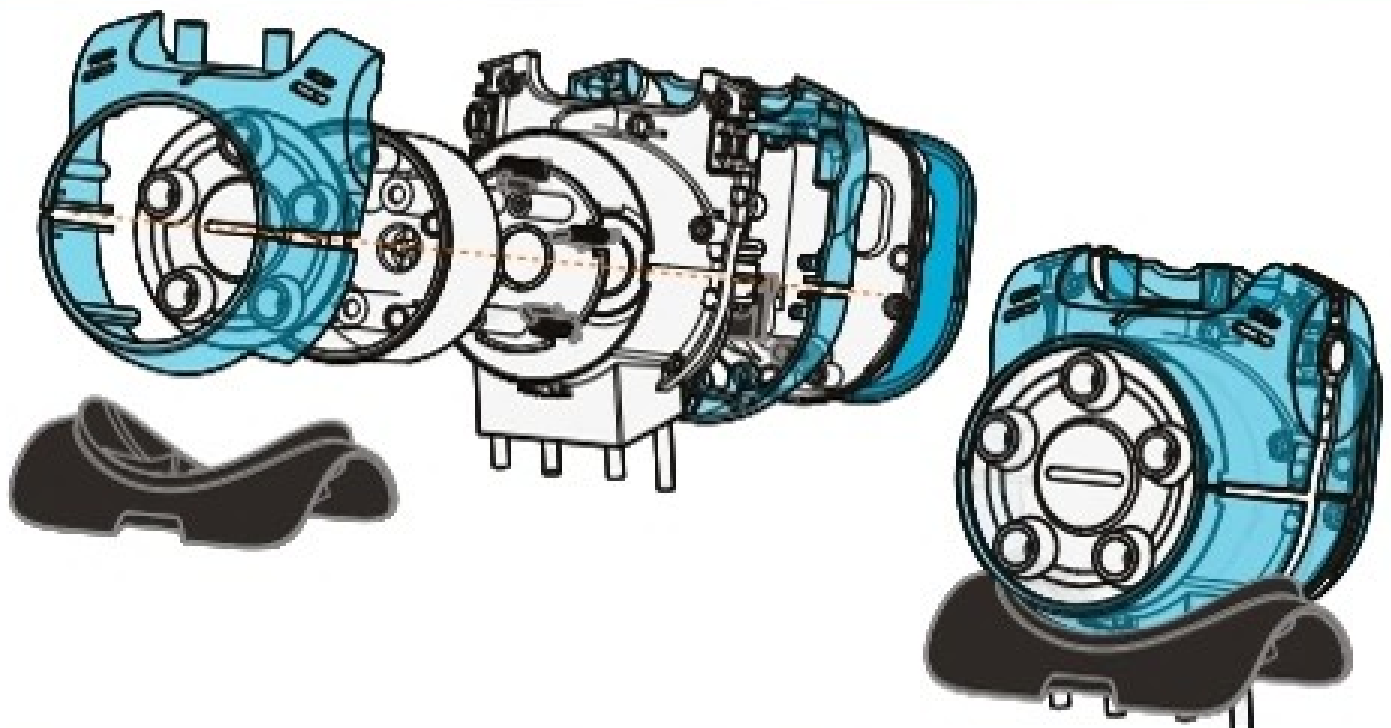
Assembling DIY RC Robot Dart Blaster



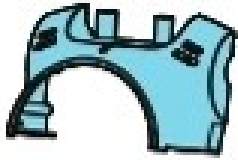
WARNING: Do not aim or fire at eyes or face. Eye protection recommended for users and nearby persons.

Body Assembly Overview

30 mins



Parts Needed:



Top Blue Frame
x1



Bottom Blue Frame
x1



Rear Top Plate
x1



Rear Bottom Plate
x1



Front Cover Cylinder
x1



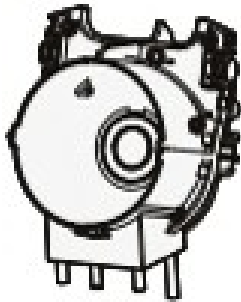
Cylinder
x1



Elastic Ring
x1



Launcher Rod
x1



Body
x1



Battery Pack Holder
x1



Battery Cover
x1



Spring
x5



Dart Holder
x5



Saddle
x1



Battery Pack
x1



AAA 1.5V Battery
(not included)
x4



Screwdriver
x1



Big Screw
x1



Screw
x15



Screw Cap
x2



Hex Nut
x2

Body Assembly

STEP 01

Parts Needed

Spring
x5



Dart Holder
x5



Install the springs into the dart holder by pushing the springs into the dart holder stud. You will do this 5 total times.



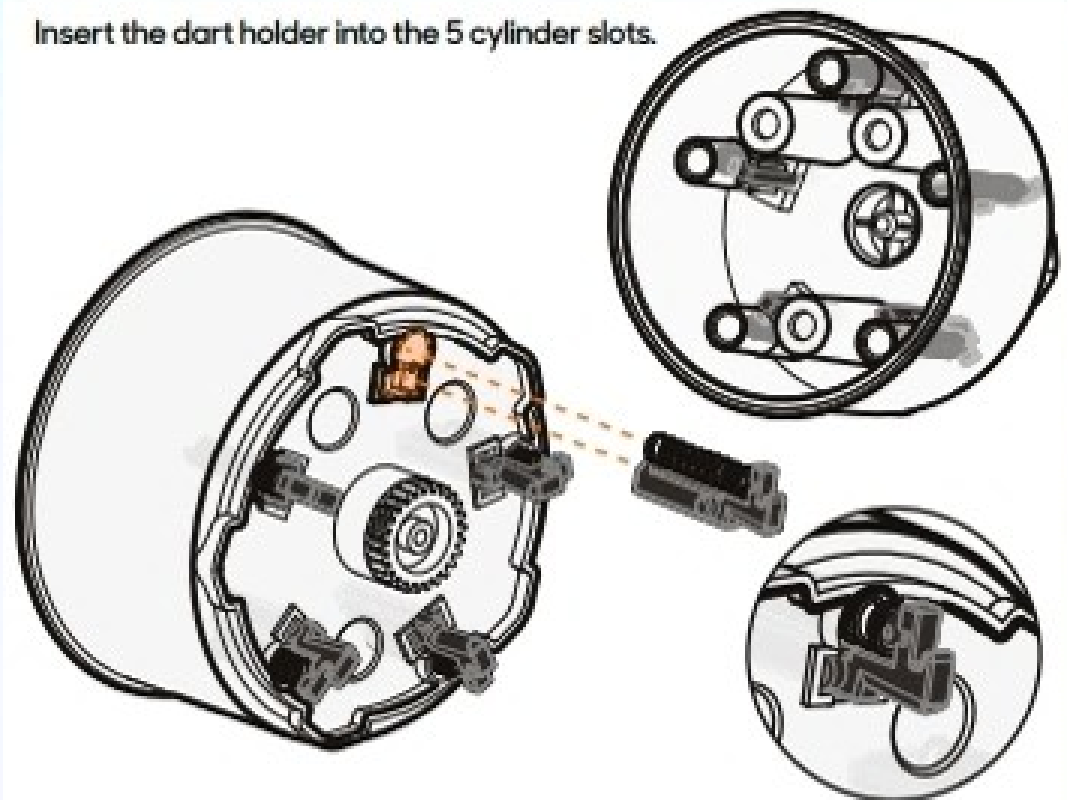
STEP 02

Parts Needed

Dart Cylinder
x1



Insert the dart holder into the 5 cylinder slots.



Body Assembly

STEP 03

Parts Needed

Front Cover
x1



Launcher Rod
x1



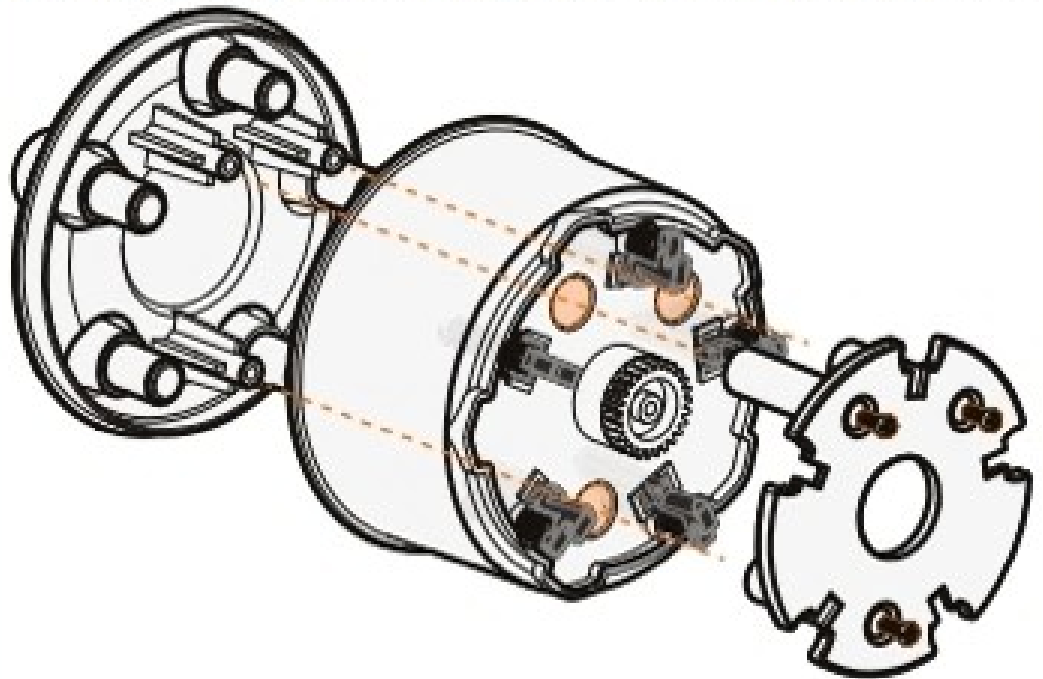
Screw
x3



Screwdriver
x1



Install the front cover and position the launcher rod in place. Secure both parts by tightening 3 screws through the launcher rod into the front cover.



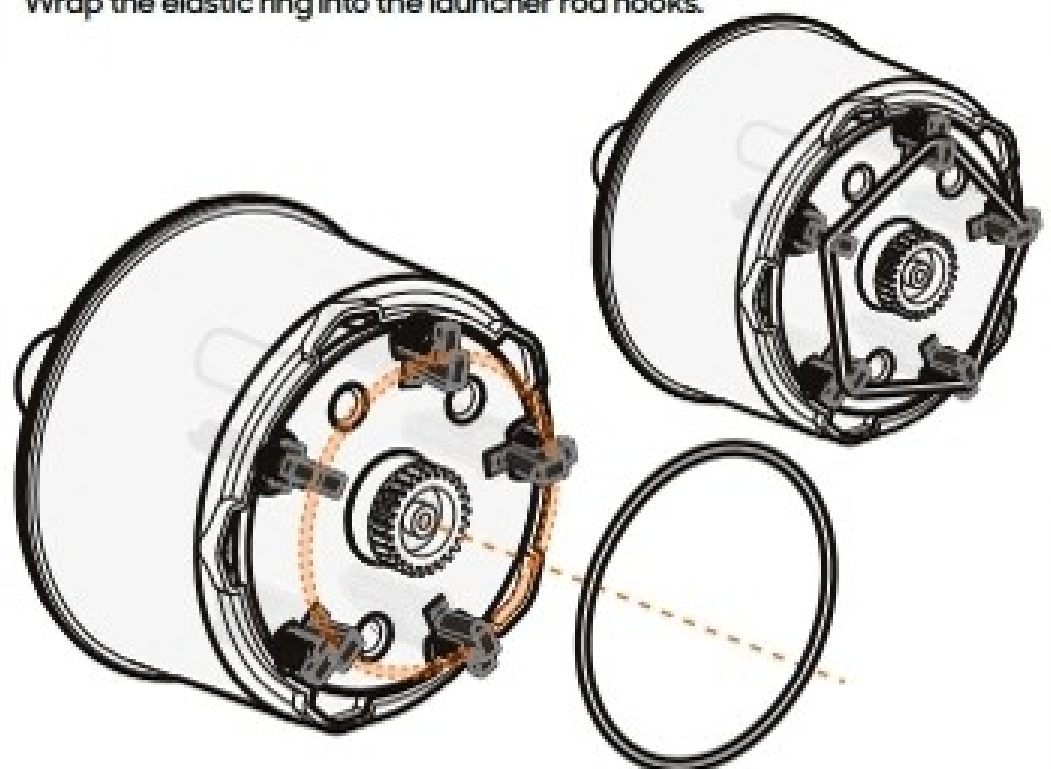
STEP 04

Parts Needed

Elastic Ring
x1



Wrap the elastic ring into the launcher rod hooks.

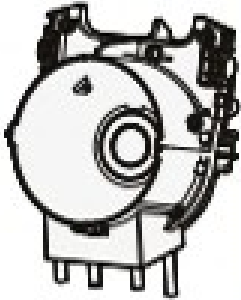


Body Assembly

STEP 05

Parts Needed

Body Frame x1



Big Screw x1

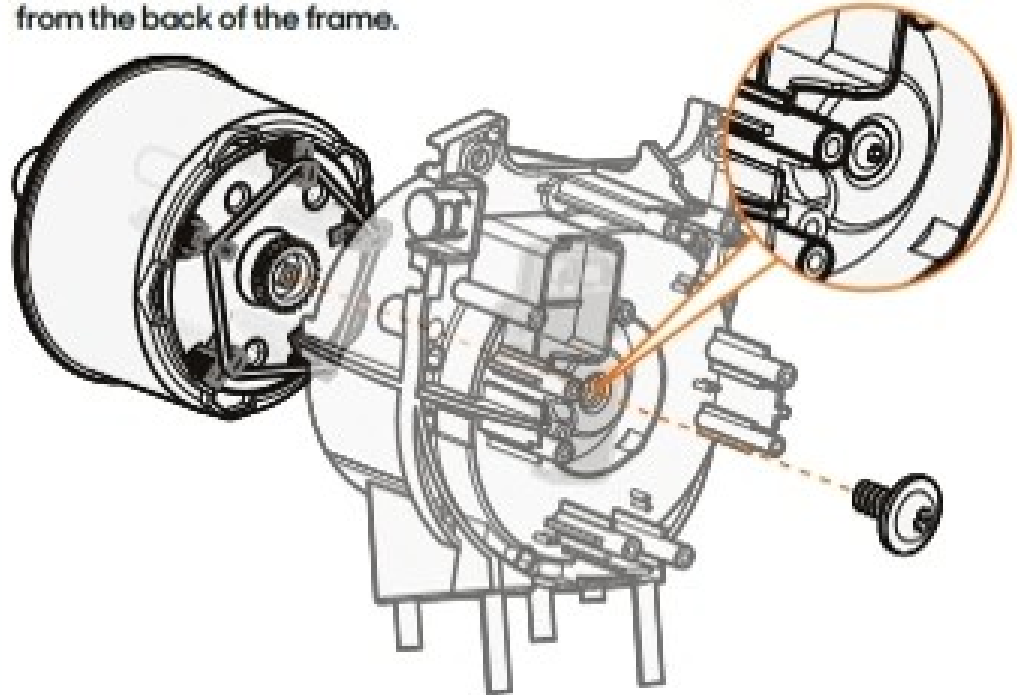


Screwdriver x 1



Place the dart cylinder into the body frame, then secure it by inserting the screw with washer from the back of the frame.

Tips: Screw locations



STEP 06

Parts Needed

Top Blue Frame x1



Bottom Blue Frame x1



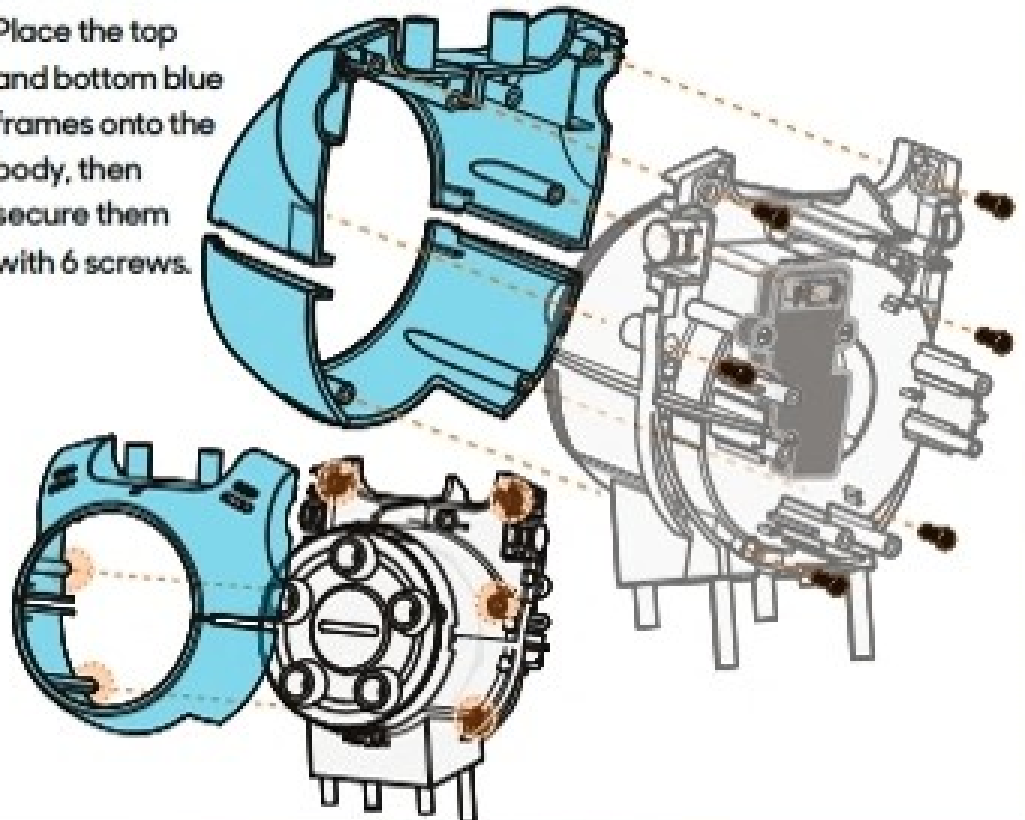
Screw x6



Screwdriver x1



Place the top and bottom blue frames onto the body, then secure them with 6 screws.



Body Assembly

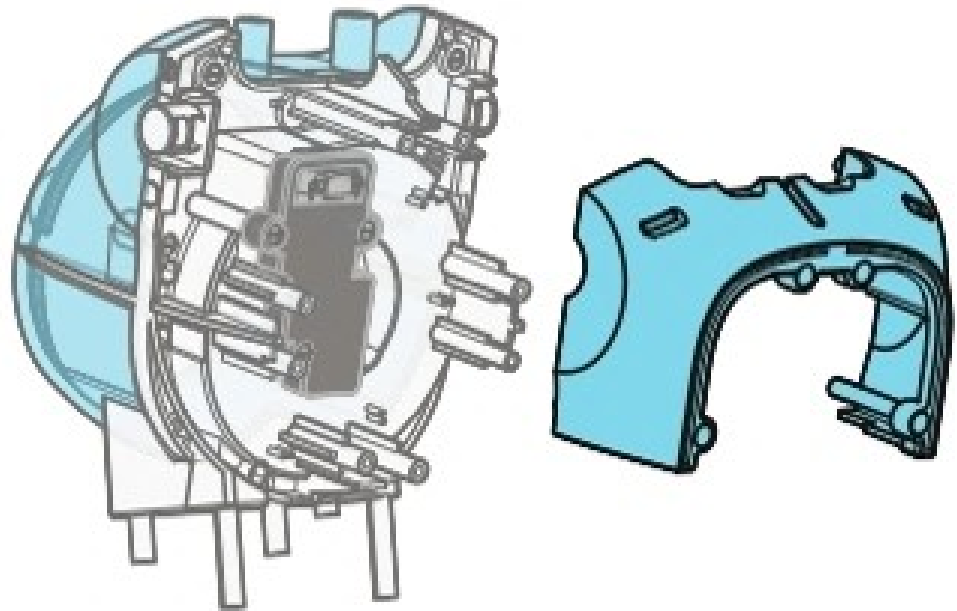
STEP 07

Parts Needed

Rear Top Plate
x1



From the rear of the body, insert the rear top plate.



STEP 08

Parts Needed

Battery Pack Holder
x1



Screw Cap
x2



Hex Nut
x2



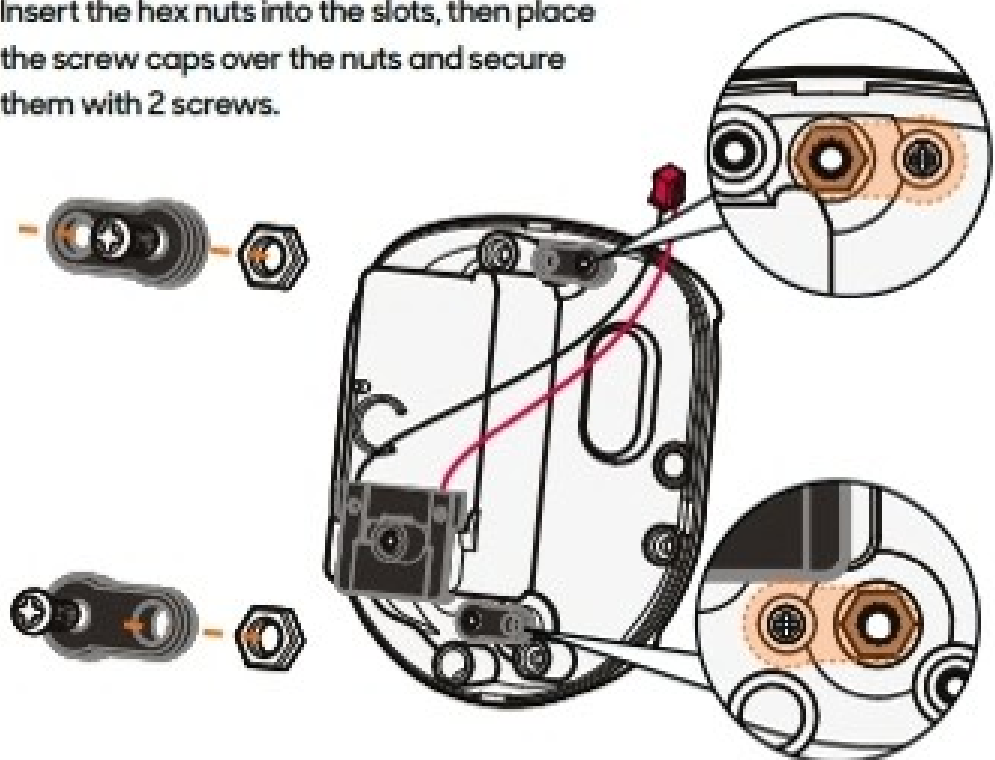
Screw
x2



Screwdriver
x1



Insert the hex nuts into the slots, then place the screw caps over the nuts and secure them with 2 screws.

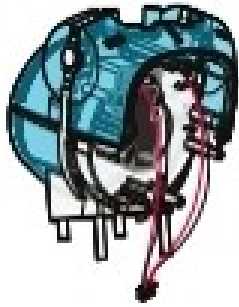


Body Assembly

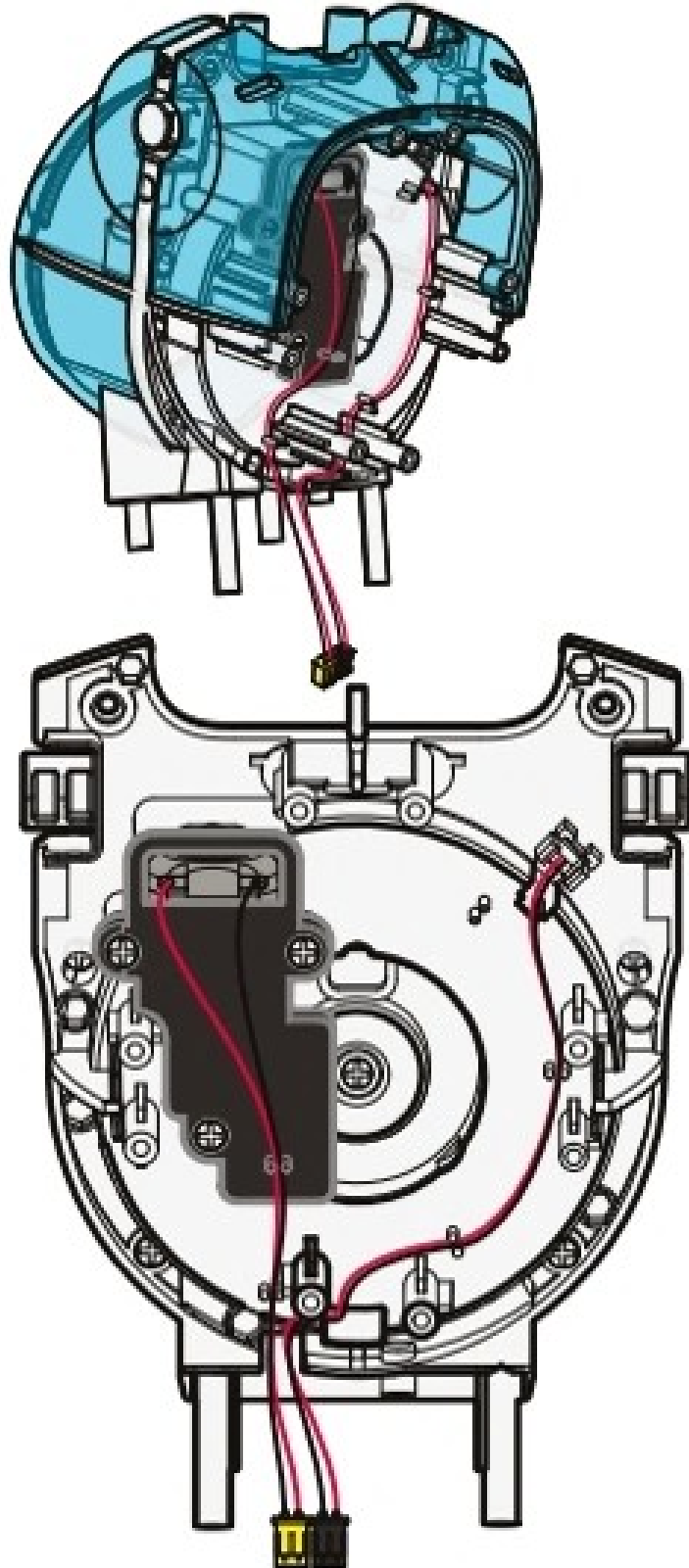
STEP 09

Parts Needed

Body From
Previous Steps
x1



Next, place the wires from the left side of the body frame into the tracks. Then, place the wires from the right side into their matching tracks. Both set of wires should go through the bottom of the body.



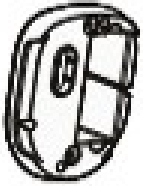
Tips : Wire locations

Body Assembly

STEP 10

Parts Needed

Battery Pack Holder
x1



Rear Bottom Plate
x1



Saddle
x1



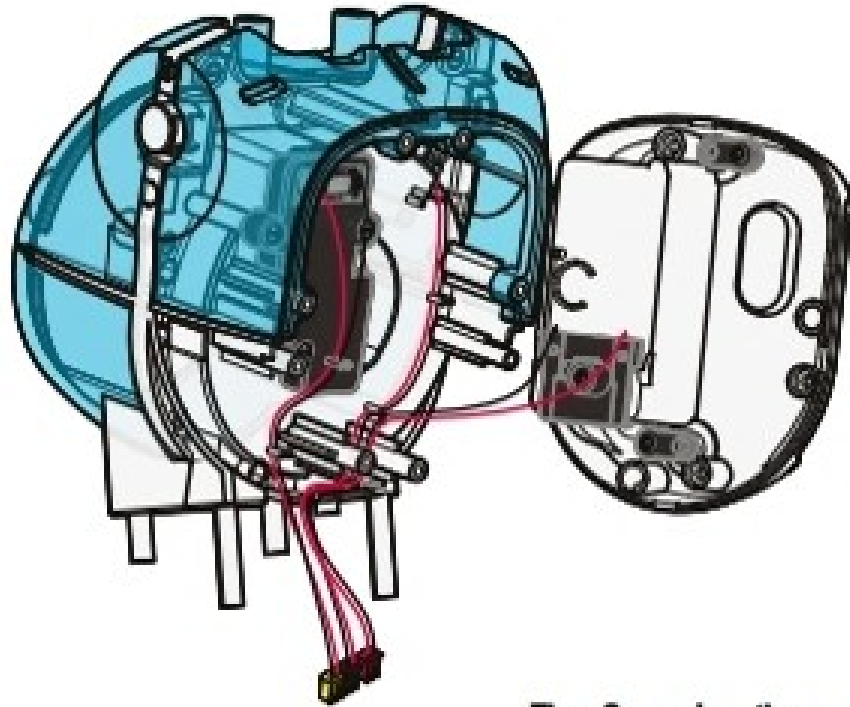
Screw
x4



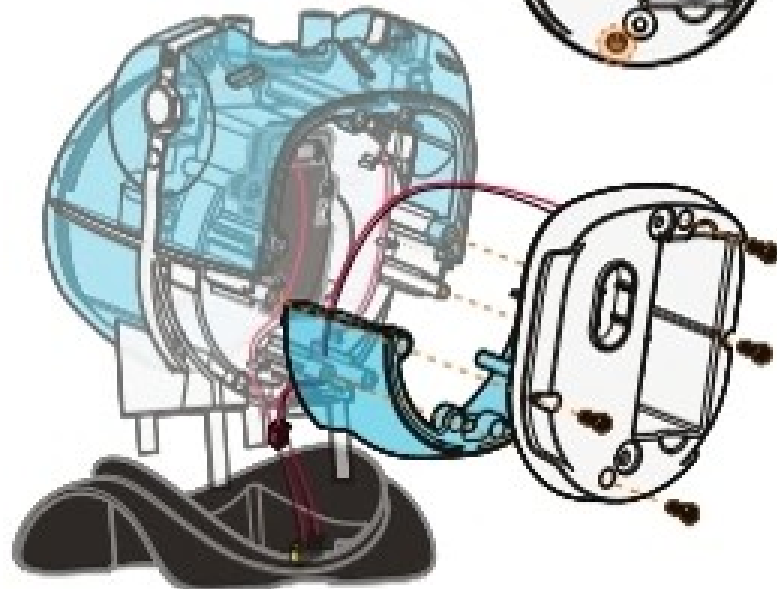
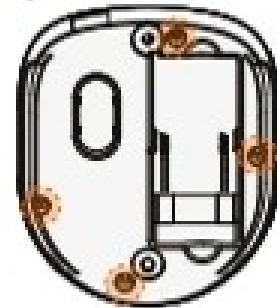
Screwdriver
x1



Feed the battery pack wires through the bottom of the body, then attach the rear bottom plate to the body frame. Secure the battery pack by tightening with 4 screws.



Tips: Screw locations



Body Assembly

 ADULT SUPERVISION REQUIRED

STEP 11

Parts Needed

Battery Pack
x1



AAA 1.5V Battery
(not included)
x4



Have an adult help you install the batteries. Insert 4 AAA 1.5V batteries into the battery pack.



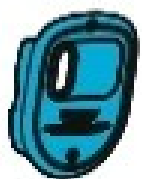
STEP 12

Parts Needed

Battery Pack
x1



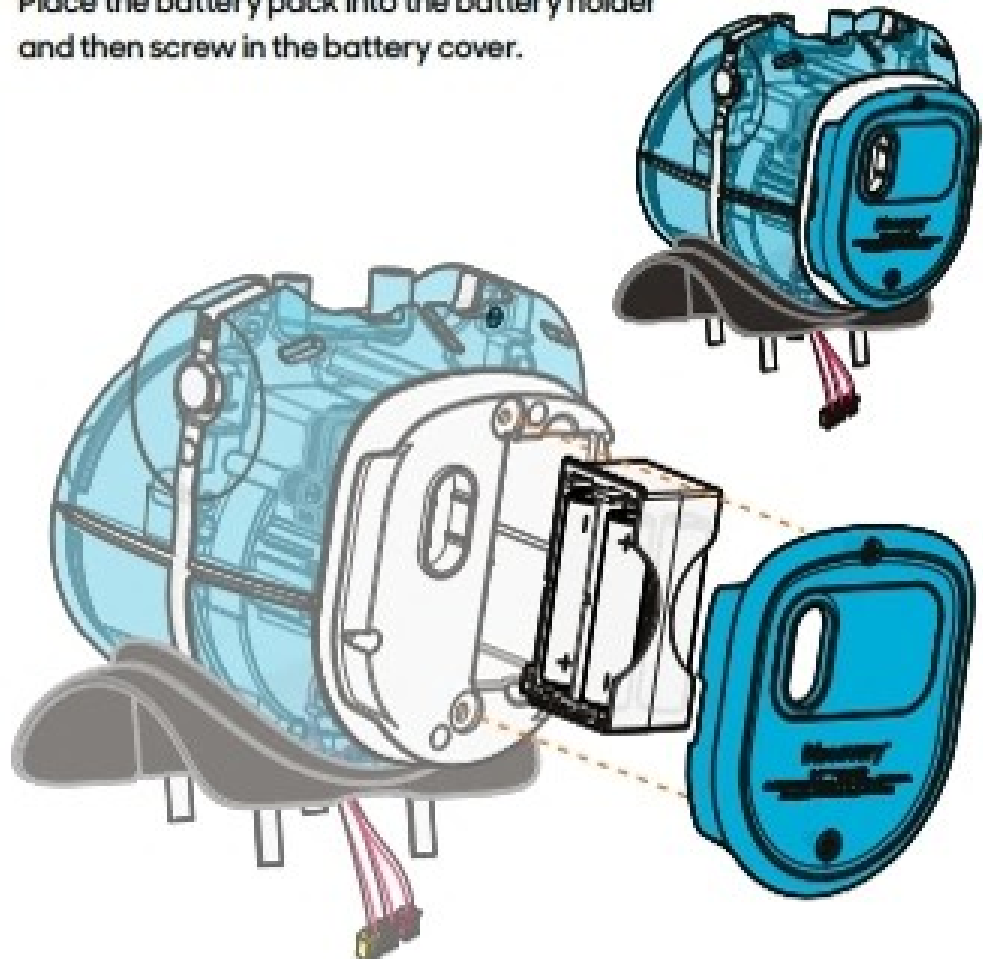
Battery Cover
x1



Screwdriver
x 1

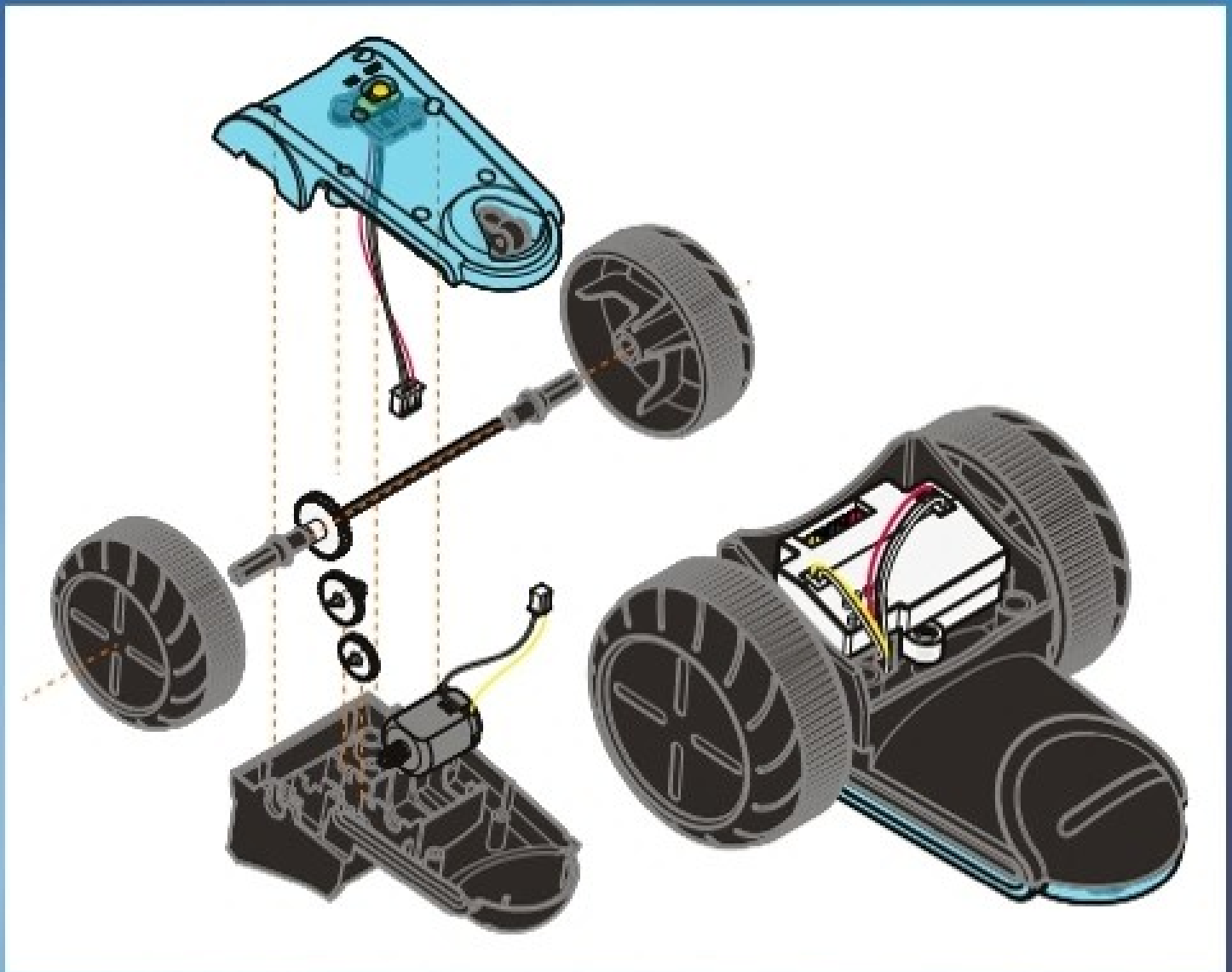


Place the battery pack into the battery holder and then screw in the battery cover.



Motor Drive Assembly Overview

30 mins



Parts Needed:



Top Housing
x1



Bottom Housing
x1



Steering Wheel
x1



Big Screw
x1



Wheel
x2



Long Pin
x1



Wheel Rod
x2



Big Gear
x1



Medium Gear
x1



Small Gear
x1



Medium Pin
x1



Small Pin
x1



Motor
x1



Screwdriver
x1



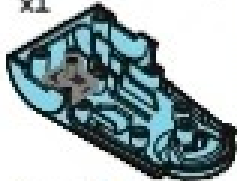
Screw
x7

Motor Drive Assembly

STEP 01

Parts Needed

Bottom Housing
x1



Steering Wheel
x1



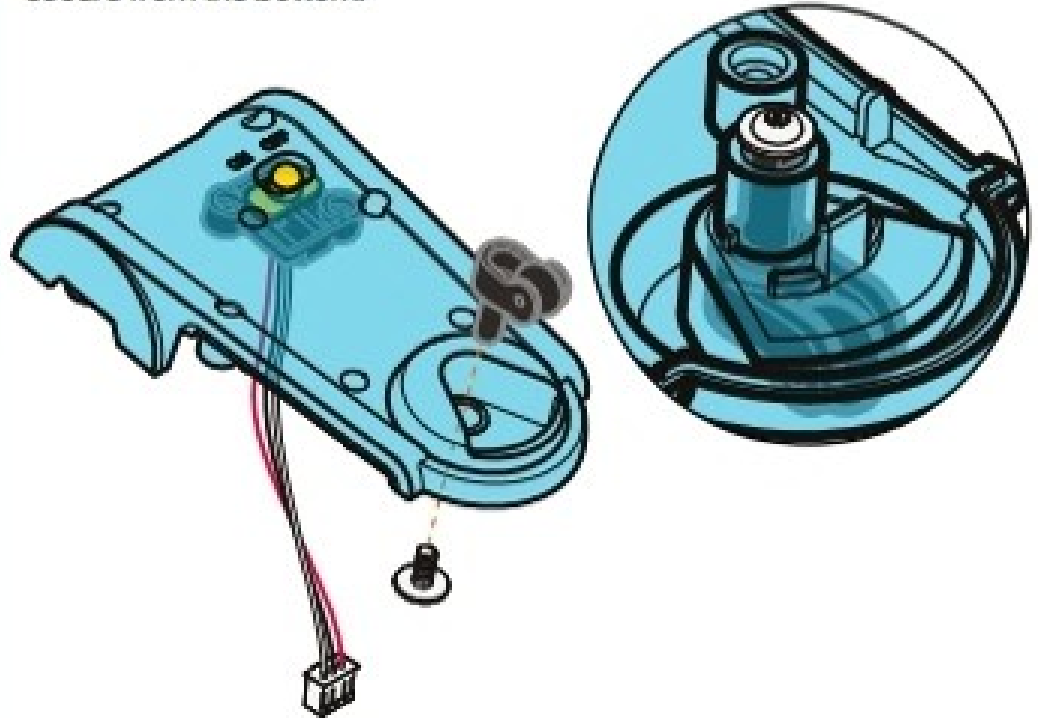
Big Screw
x1



Screwdriver
x1



Place steering wheel into the bottom of the housing and use big screw to secure from the bottom.



STEP 02

Parts Needed

Motor x1



Top Housing x1



Medium Gear x1



Small Gear x1



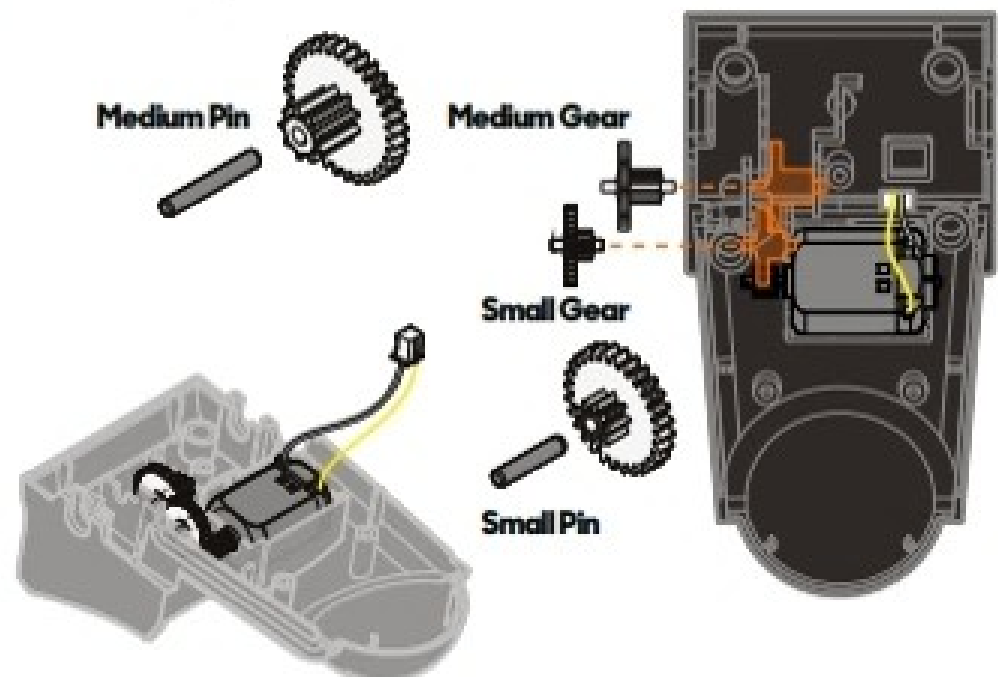
Medium Pin x1



Small Pin x1



Place the motor into the top housing and then place the pins into the small and medium gear.



Motor Drive Assembly

STEP 03

Parts Needed

Long Pin
x1



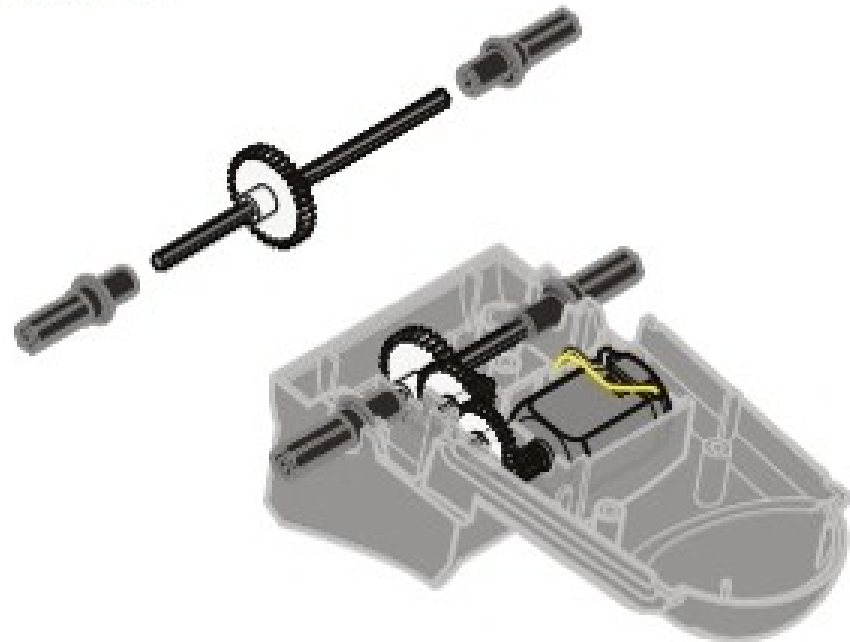
Wheel Rod
x2



Big Gear
x1



Slide the long pin into large gear and close off both sides of the pin with the wheel rods.



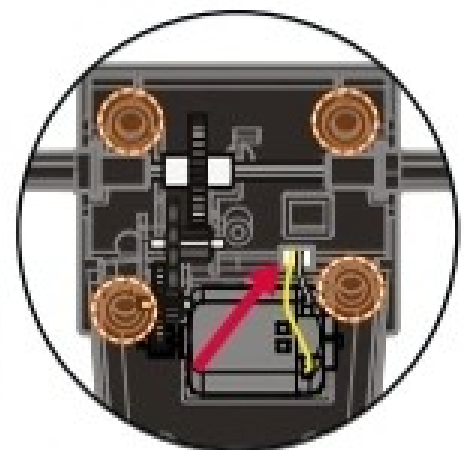
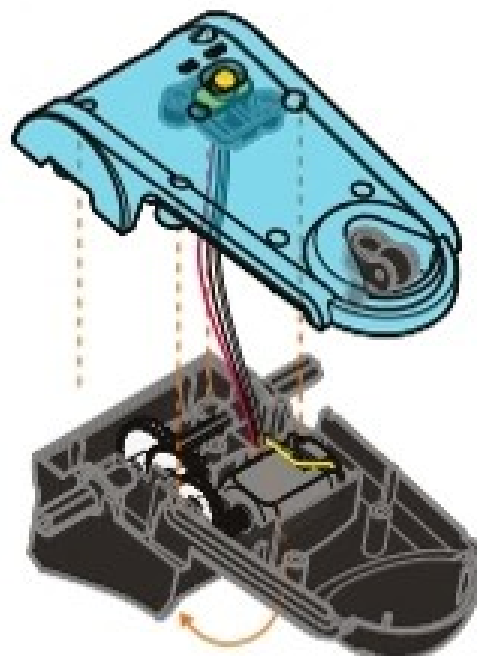
STEP 04

Parts Needed

Bottom Housing
x1



Place bottom housing into the top of the housing and place the 3 wires into top of the wheel housing.

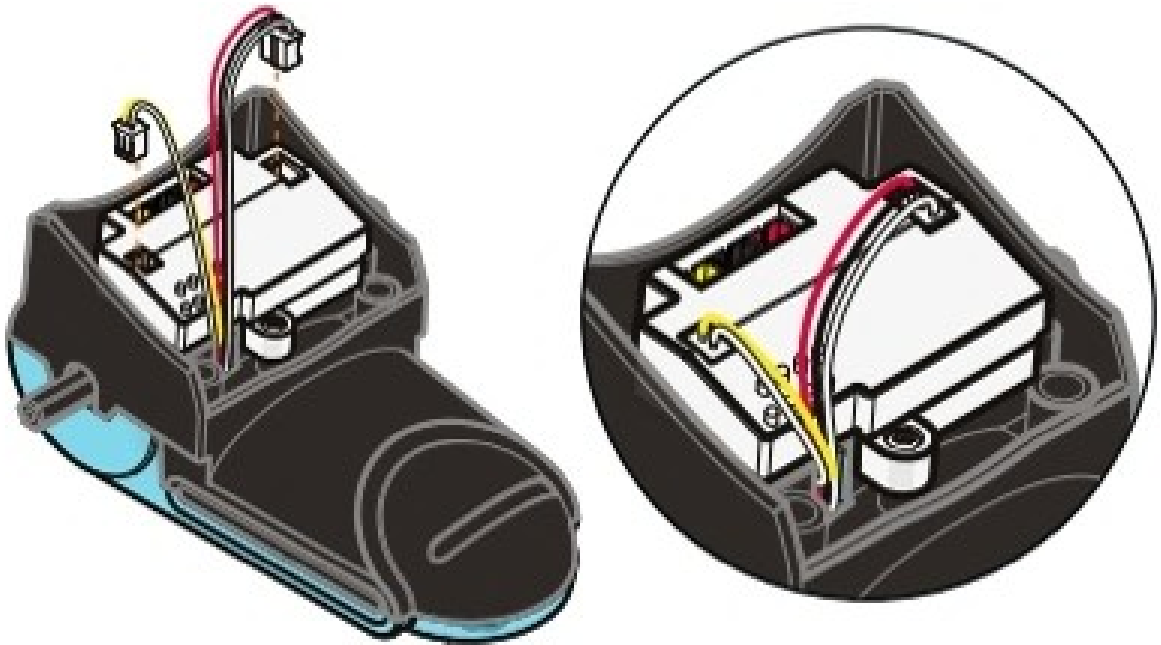


Note: Assemble carefully to avoid pinching the wires!

Motor Drive Assembly

STEP 05

Place 3 wire plug and 2 wire plug into the top of the wheel housing.



STEP 06

Parts Needed

Screw
x3



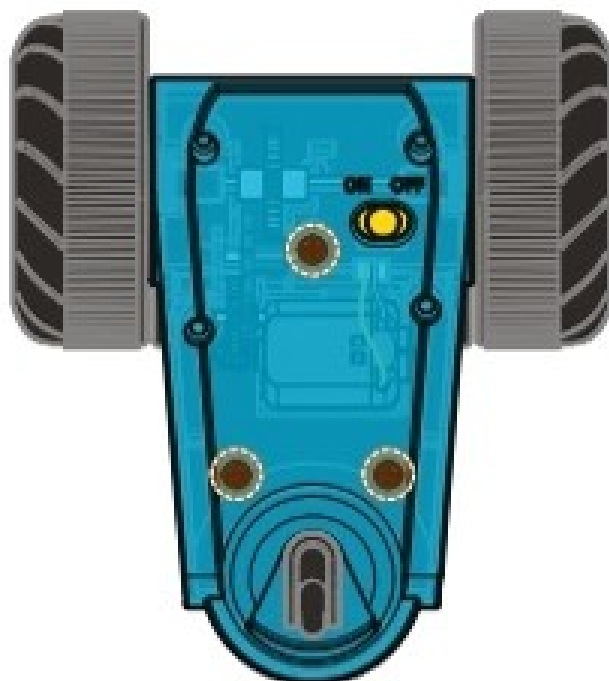
Screwdriver
x1



Wheel
x2



Close the top and bottom housing and use 3 screws to secure from the bottom and close off both sides with the 2 wheels.



Motor Drive Assembly

STEP 07

Parts Needed

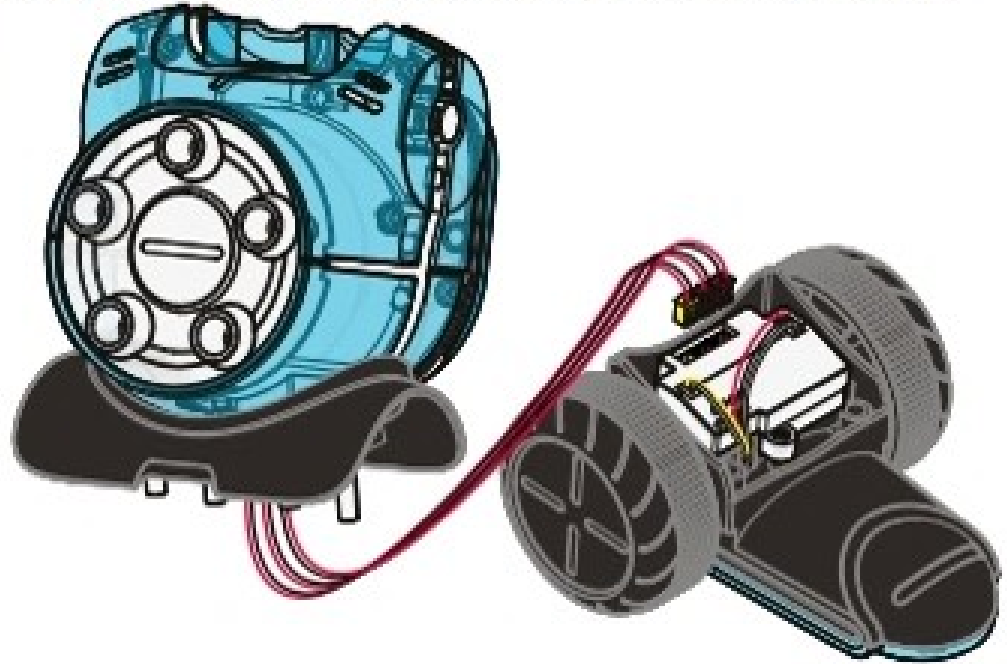
Body
x7



Motor Drive
Housing
x1



Connect the wires from the body to the motor driving housing. Twist the bundled wires 2 times to keep them organized, and ensure they are routed neatly to avoid tangling or being pinched/pressed during assembly.



STEP 08

Parts Needed

Screw
x4



Screwdriver
x1

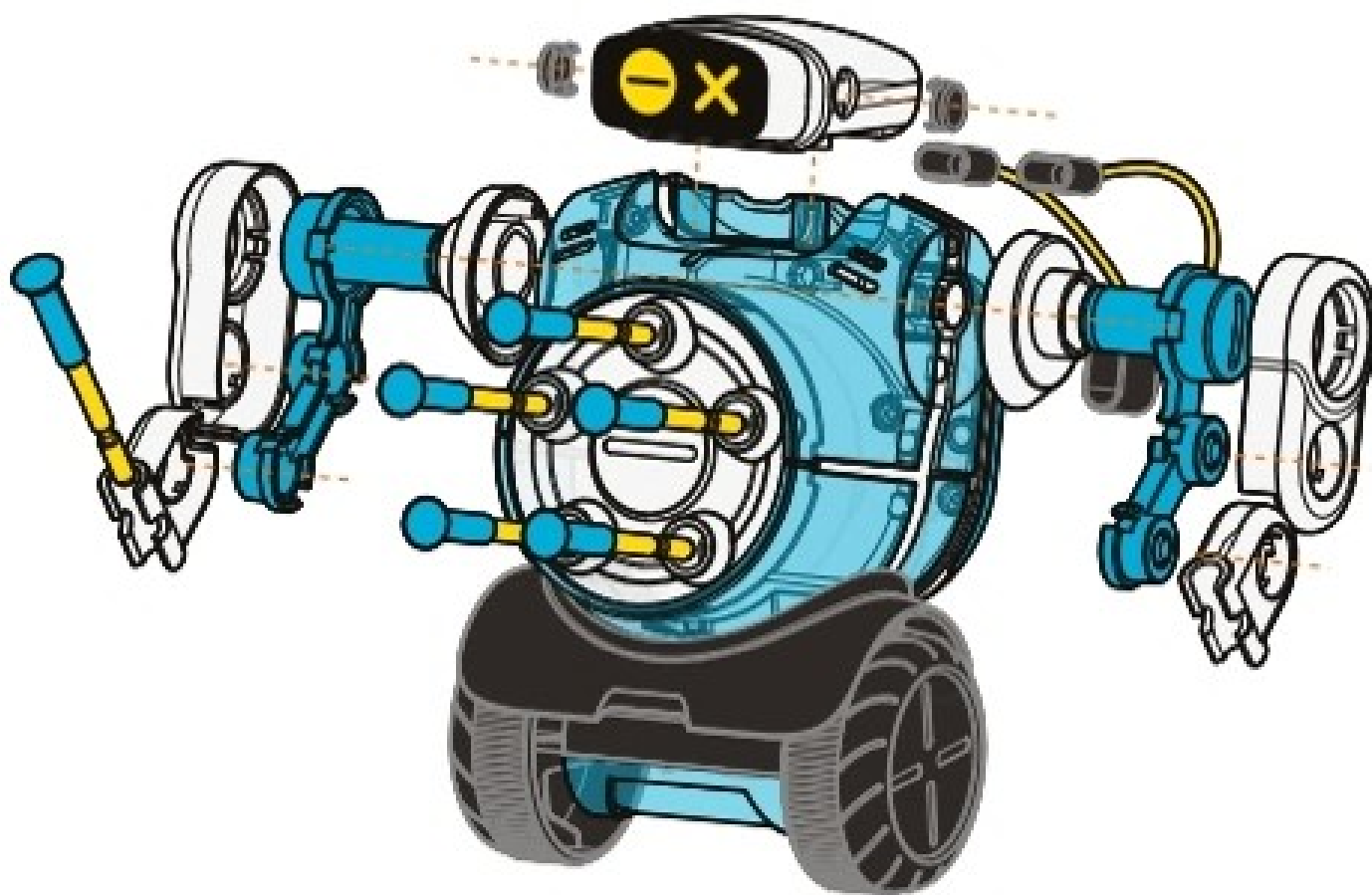


Place the body onto the motor drive and secure it with 4 screws from the bottom. **Note: Assemble carefully to avoid pinching the wires!**



Arms and Head Assembly Overview

15 mins



Parts Needed:



Ear
x2



Head
x1



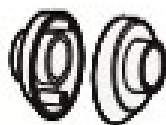
Sticker
x1



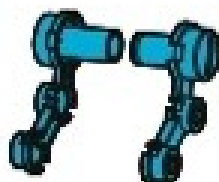
Power Wires
x1



Dart
x6



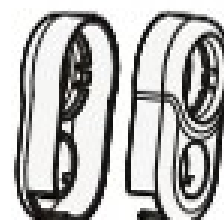
Shoulder
x2



Inner Arm
x2



Hand
x2



Sleeve
x2

Arms and Head Assembly

STEP 01

Parts Needed

Body
x1



Head
x1



Ear
x2



Sticker
x1



Insert the 2 plugs into the sides of the robot head, then carefully apply the face sticker. Finally, attach the head to the robot.



STEP 02

Parts Needed

Power Wires
x1



Place the wires into the slots.



Arms and Head Assembly

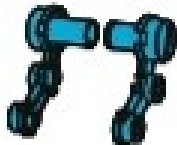
STEP 03

Parts Needed

Shoulder x2



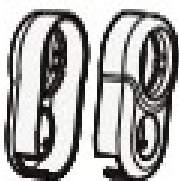
Inner Arm x2



Hand x2



Sleeve x2



Install the arms by inserting the shoulder pieces into the body. Attach the blue arm pieces to the shoulders, then insert the white pieces into the plugs on the blue arm pieces.



STEP 04

Parts Needed

Dart
x6



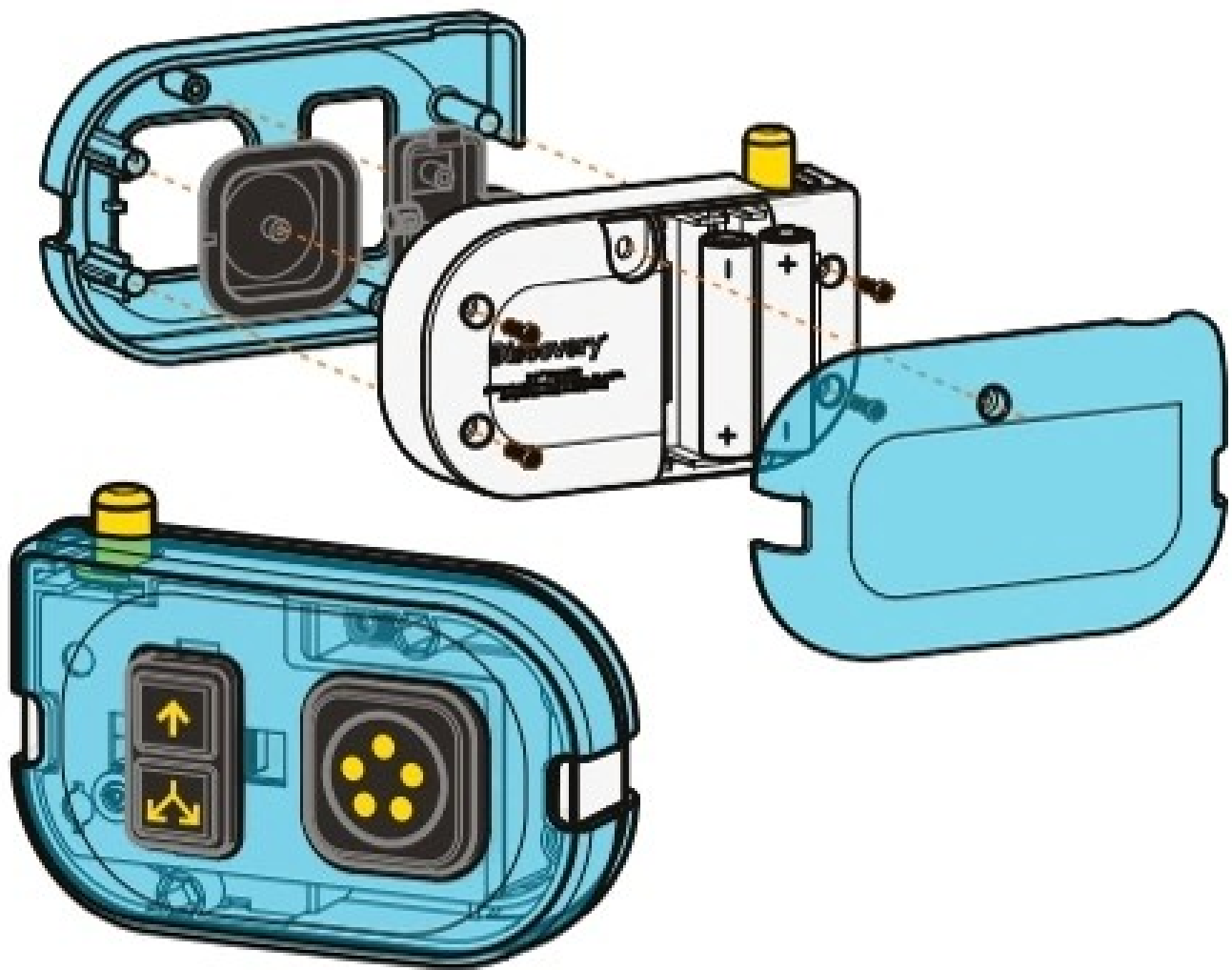
Insert the darts into the launcher one at a time. You will hear a click when each dart is securely in place.



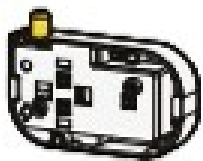
WARNING: Use only with the darts provided with this product. Do not modify.

Remote Control Assembly Overview

10 mins



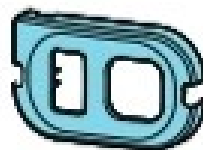
Parts Needed:



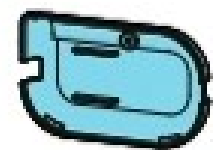
Remote Control
x1



Button
x2



Remote Control Front Case
x1



Remote Control Rear Case
x1



Screw Cap
x1



Hex Nut
x1



Screwdriver
x1



Screw
x5



AAA 1.5V Battery
(not included) x2

Remote Control Assembly

STEP 01

Parts Needed

Remote Control x1



Hex Nut x1



Screw Cap x1



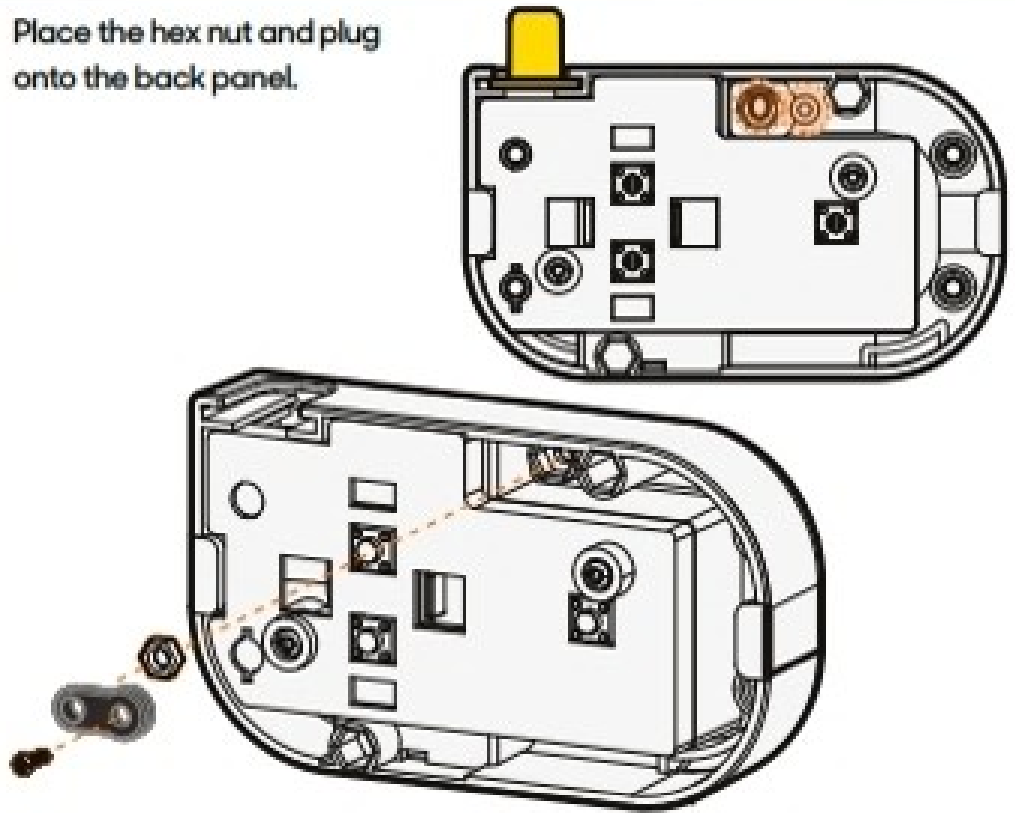
Screw x1



Screwdriver x 1



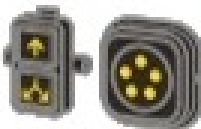
Place the hex nut and plug onto the back panel.



STEP 02

Parts Needed

Button x2



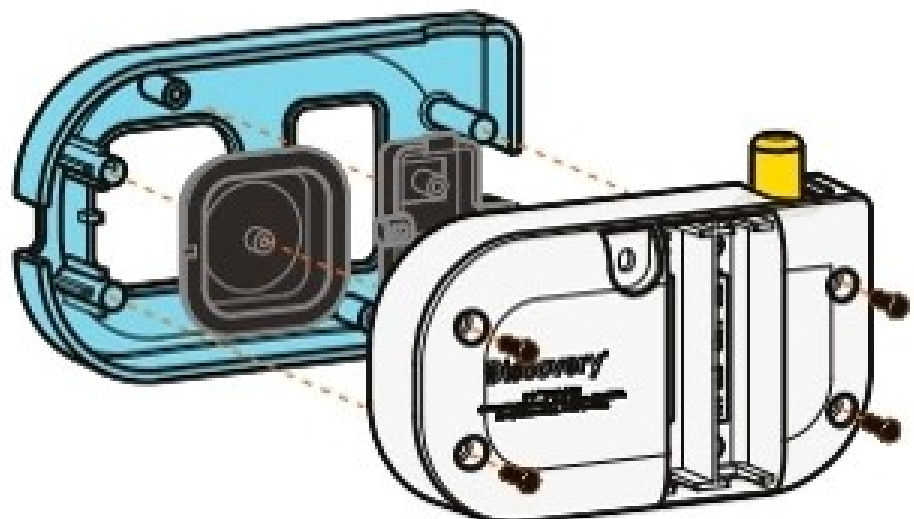
Screw x4



Screwdriver x 1



Place the buttons onto front panel and place the back panel over. Secure with 4 screws.



Remote Control Assembly

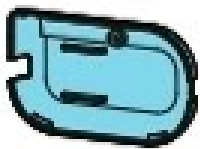
STEP 03

Parts Needed

AAA 1.5V Battery
(not included)
x2



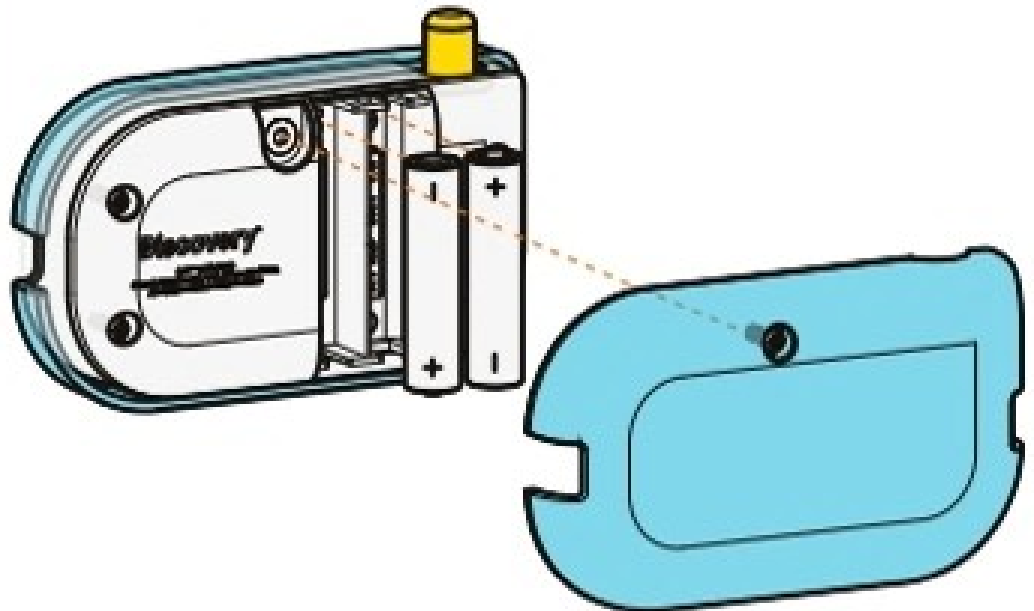
Remote Control
Rear Case x1



Screwdriver
x1



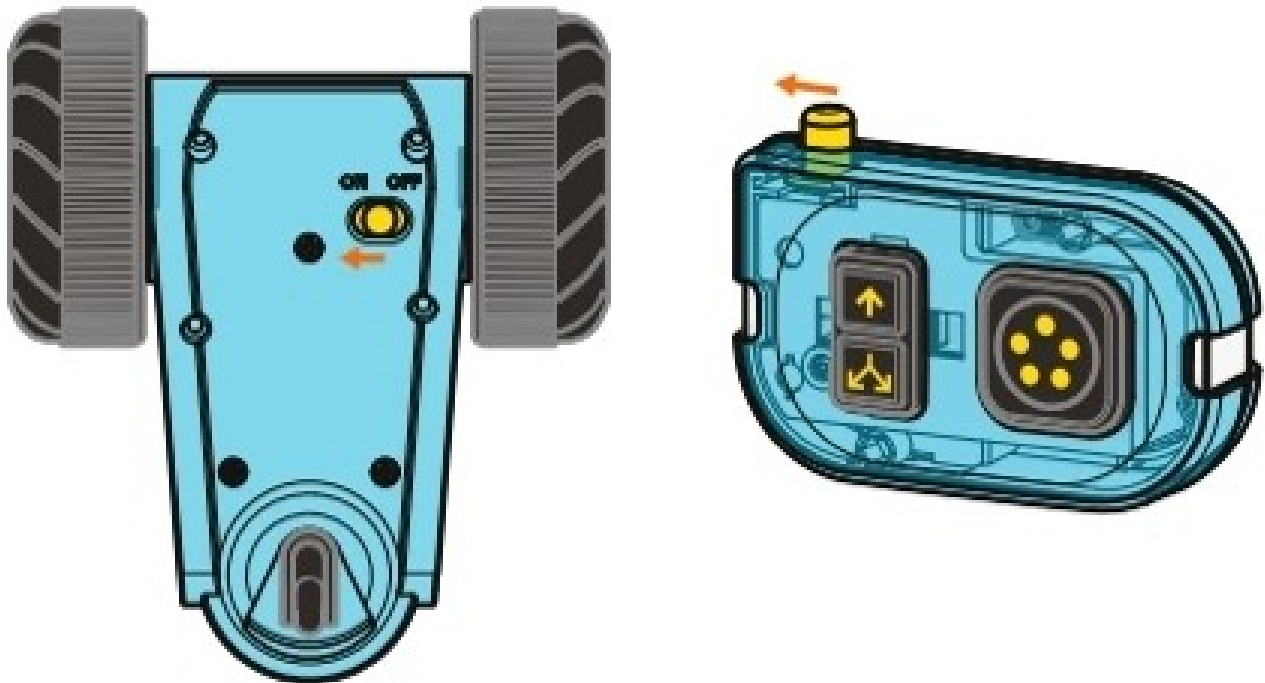
Insert 2 AAA 1.5V batteries into the back panel and close with 1 screw.



How to Play

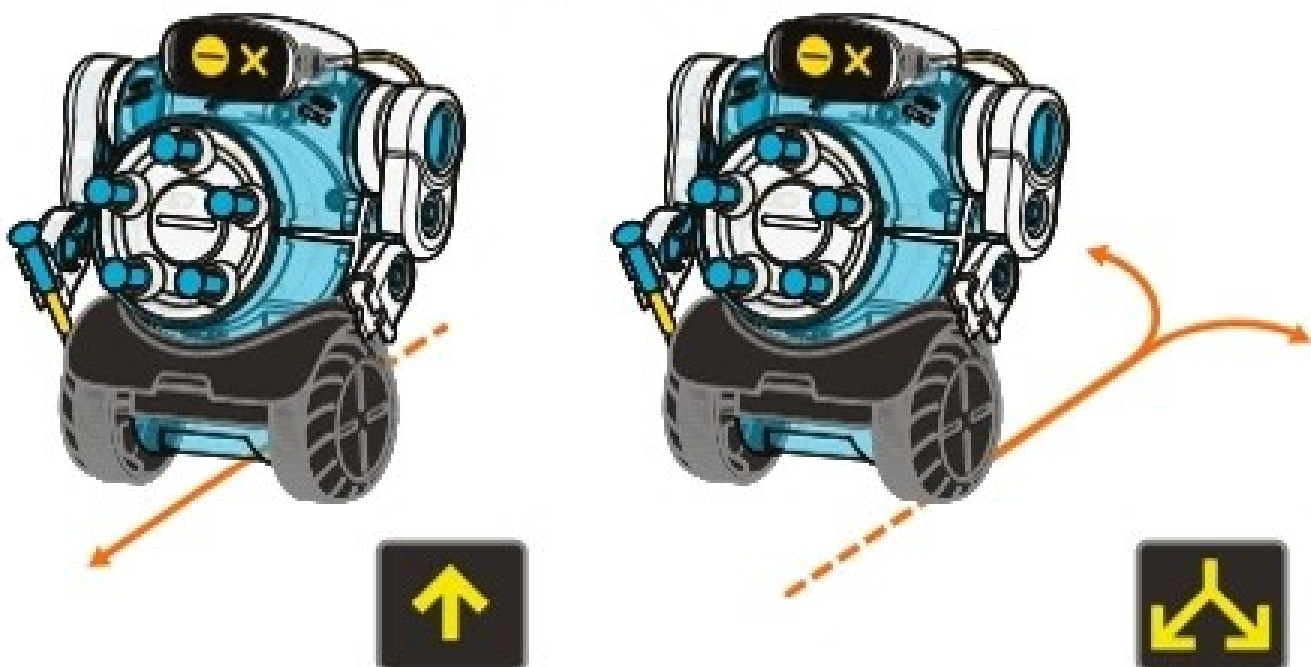
STEP 01

Turn on the remote and robot by sliding the yellow switch to "ON"



STEP 02

Press the top button on the remote to move forward. Press the bottom button to reverse. When reversing, the robot may turn slightly left or right due to the J-Turn function.



How to Play

STEP 03

Press the launch button on the remote to fire the darts. To launch a dart, short-press the launch button once, do not long-press down, otherwise it will get stuck. Never aim or fire directly at people, animals, or fragile objects!





DIY RC Robot Dart Blaster



DISCOVERY and all related elements © & ™ Warner Bros. Discovery or its subsidiaries and affiliates. WB SHIELD: © & ™ WBEL (s26)
Distributed by and © 2025 MerchSource, LLC. Irvine, CA 92618.
All rights reserved.

For customer support, please visit www.msccustomer care.com
or call 1-800-374-2744.

The artwork and design of this manual are protected by US copyright law and may not be produced, distributed, displaced, published, or used for any purpose without prior written permission. Altering, removing, or reproducing any of the trademark or copyright notice forms on this manual is not permitted.

Printed in China.