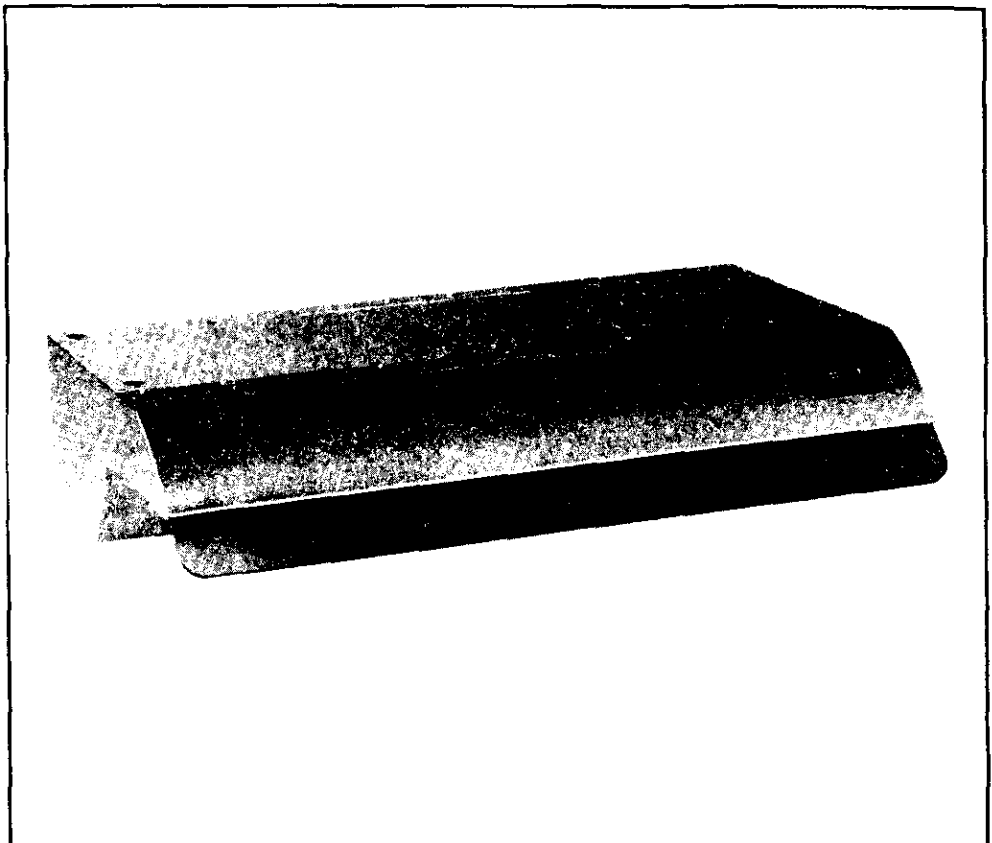


SEARS

OWNER'S MANUAL

Model Nos.
233.54060591
233.54065591
233.54066591
233.54069591

Caution:
Read and follow
all Safety Rules and
Operating Instructions
before first use of this
Product.



RANGE HOOD

- ◆ Safety Instructions
- ◆ Warranty
- ◆ Installation Instructions
- ◆ Use and Care
- ◆ Parts List

Sears, Roebuck and Co., Hoffman Estates, IL 60179 U.S.A.

READ AND SAVE THESE INSTRUCTIONS

WARNING

TO REDUCE THE RISK OF FIRE, ELECTRICAL SHOCK, OR INJURY TO PERSONS, OBSERVE THE FOLLOWING:

1. Use this unit only in the manner intended by the manufacturer. If you have questions, contact the manufacturer at the address or telephone number listed in the warranty.
2. Before servicing or cleaning unit, switch power off at service panel and lock service panel to prevent power from being switched on accidentally.
3. Installation work and electrical wiring must be done by a qualified person(s) in accordance with all applicable codes and standards.
4. Sufficient air is needed for proper combustion and exhausting of gases through the flue (chimney) of fuel burning equipment to prevent backdrafting. Follow the heating equipment manufacturer's guideline and safety standards such as those published by the National Fire Protection Association (NFPA), and the American Society for Heating, Refrigeration and Air Conditioning Engineers (ASHRAE), and the local code authorities.
5. When cutting or drilling into wall or ceiling, do not damage electrical wiring and other hidden utilities.
6. Ducted fans must always be vented to the outdoors.
7. Do not use this unit with any solid-state speed control device.
8. To reduce the risk of fire, use only metal ductwork.
9. This unit must be grounded.

TO REDUCE THE RISK OF A RANGE TOP GREASE FIRE:

1. Keep fan, filters and grease laden surfaces clean.
2. Always turn hood ON when cooking at high heat.
3. Use high range settings on range only when necessary. Heat oil slowly on low to medium setting.
4. Don't leave range unattended when cooking.
5. Always use cookware and utensils appropriate for the type and amount of food being prepared.

TO REDUCE THE RISK OF INJURY TO PERSONS IN THE EVENT OF A RANGE TOP GREASE FIRE, OBSERVE THE FOLLOWING:*

1. **SMOTHER FLAMES** with a close-fitting lid, cookie sheet, or metal tray, then turn off the burner. **BE CAREFUL TO PREVENT BURNS.** If the flames do not go out immediately, **EVACUATE AND CALL THE FIRE DEPARTMENT.**
2. **NEVER PICK UP A FLAMING PAN** - You may be burned.
3. **DO NOT USE WATER**, including wet dishcloths or towels - a violent steam explosion will result.
4. Use an extinguisher **ONLY** if:
 - A. You know you have a Class ABC extinguisher and you already know how to operate it.
 - B. The fire is small and contained in the area where it started.
 - C. The fire department is being called.
 - D. You can fight the fire with your back to an exit.

*Based on "Kitchen Firesafety Tips" published by NFPA.

CAUTION

1. For general ventilating use only. Do not use to exhaust hazardous or explosive materials and vapors.
2. To avoid motor bearing damage and noisy and/or unbalanced impellers, keep drywall spray, construction dust, etc. off power unit.
3. For best capture of cooking impurities, your range hood should be mounted 18-24" above the cooking surface.
4. Please read specification label on product for further information and requirements.

WARRANTY

FULL THREE YEAR WARRANTY ON PARTS

If within 3 years from the date of installation, any part of this range hood fails to function properly due to a defect in material or workmanship, Sears will repair the part or furnish and install a new part, free of charge.

FULL 30-DAY WARRANTY ON FINISH ON PAINTED OR BRIGHT METAL PARTS

If within 30 days from the date of installation, the finish on any painted or bright metal parts of this range hood is defective in material or workmanship, Sears will furnish and install a new part, free of charge.

WARRANTY SERVICE IS AVAILABLE BY CONTACTING THE NEAREST SEARS SERVICE CENTER/DEPARTMENT IN THE UNITED STATES.

This warranty applies only while this product is in use in the United States. This warranty gives you specific legal rights and you may have other rights which vary from state to state.

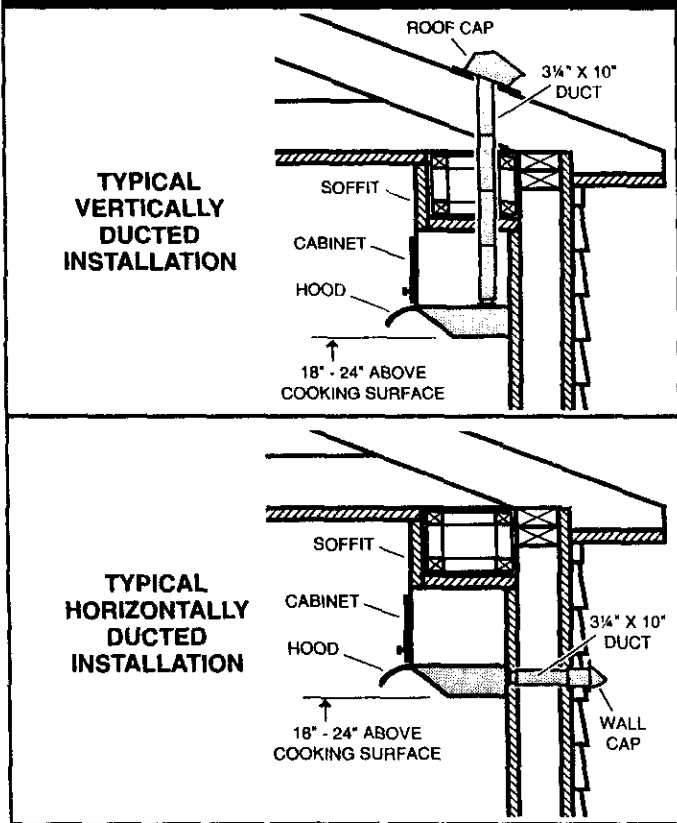
Sears, Roebuck and Co., Dept 817WA, Hoffman Estates, IL 60179

INSTALLER: LEAVE THIS MANUAL WITH THE HOMEOWNER.

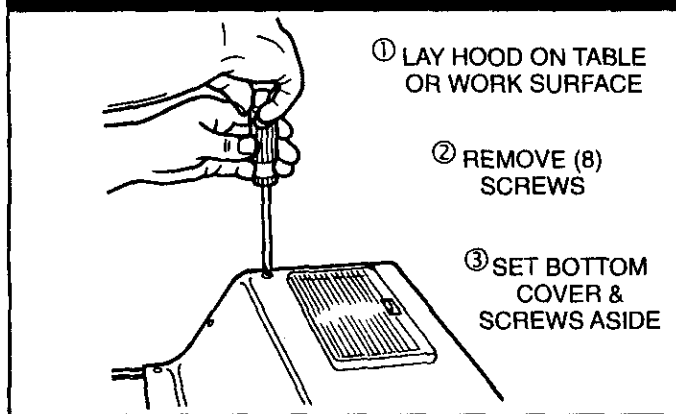
HOMEOWNER: USE AND CARE INSTRUCTIONS ON PAGE 6.

INSTALLATION INSTRUCTIONS

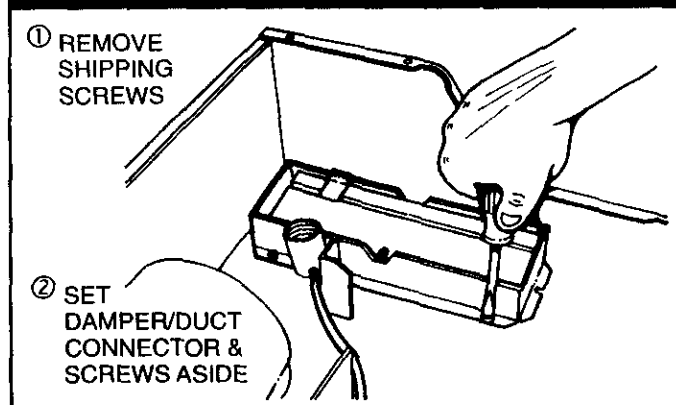
1. Choose ducted or ductfree installation.



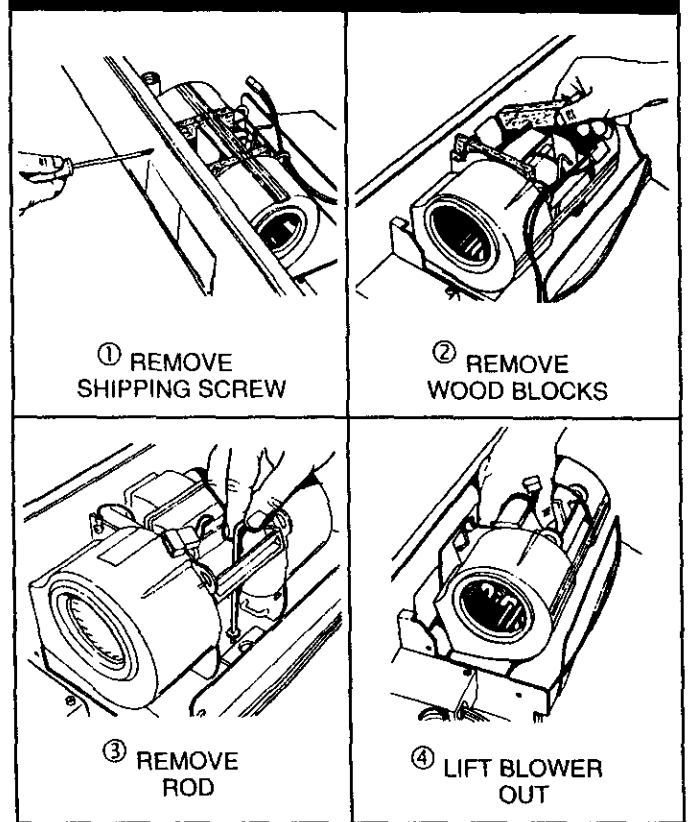
2. Remove bottom cover.



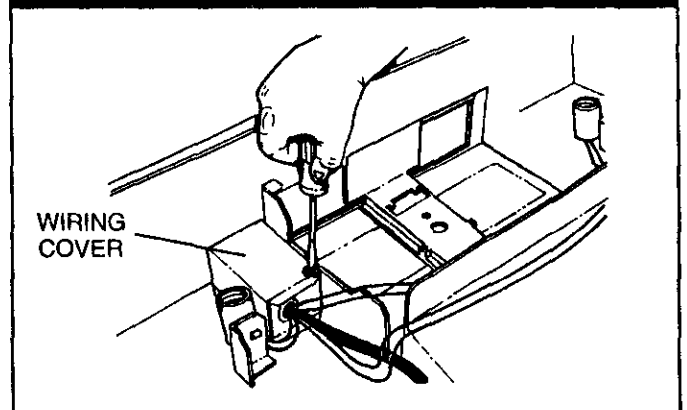
3. Remove damper/duct connector.



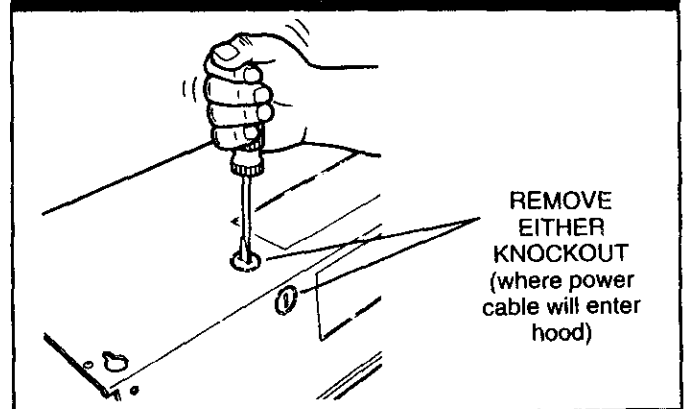
4. Remove blower.



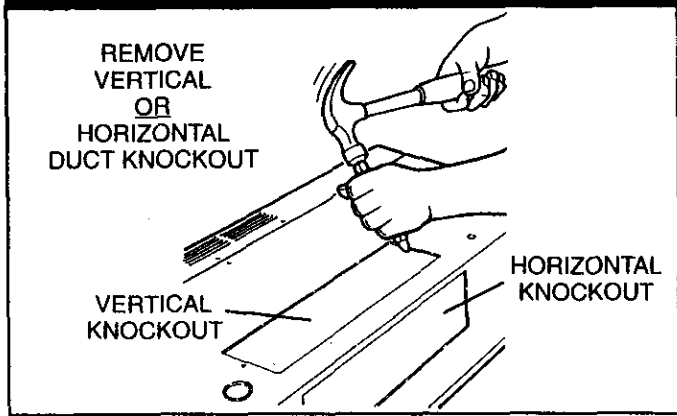
5. Remove wiring cover.



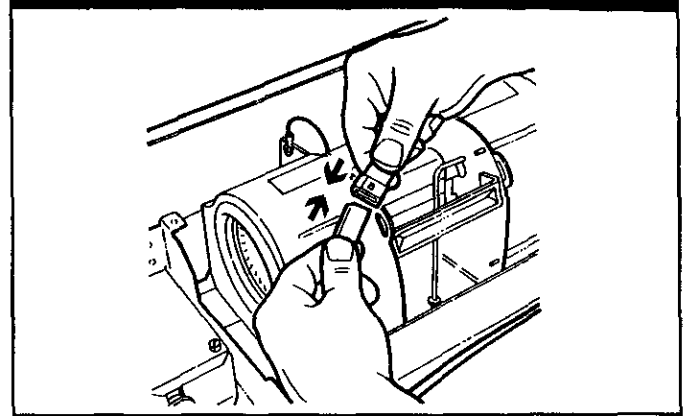
6. Remove electrical knockout.



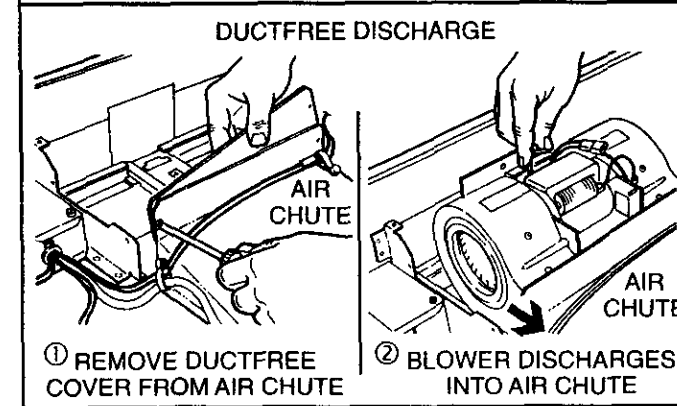
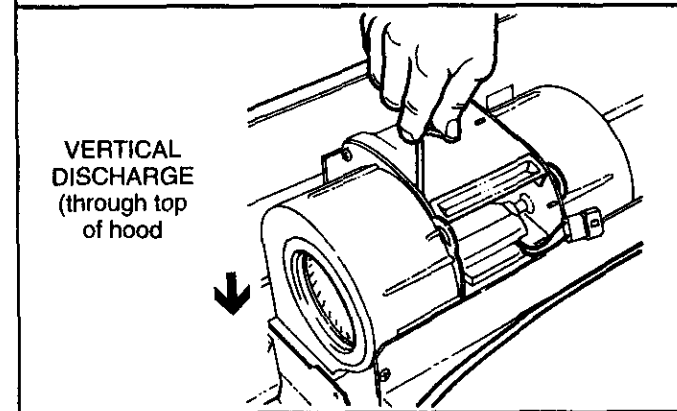
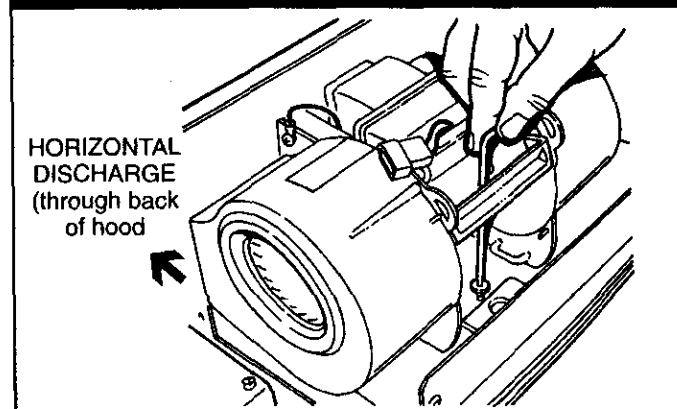
7. Remove duct knockout (ducted only).



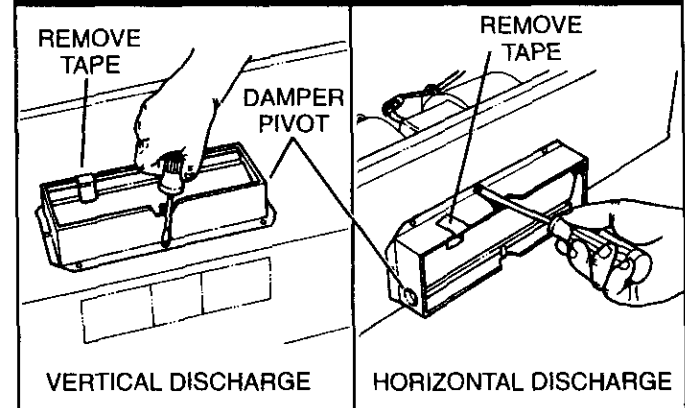
9. Connect motor plug.



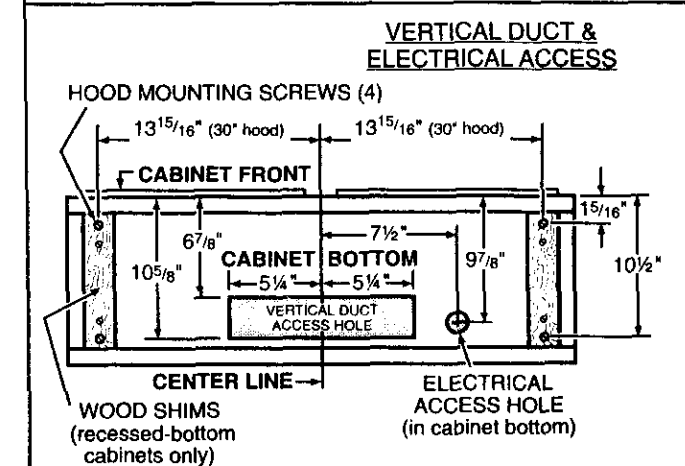
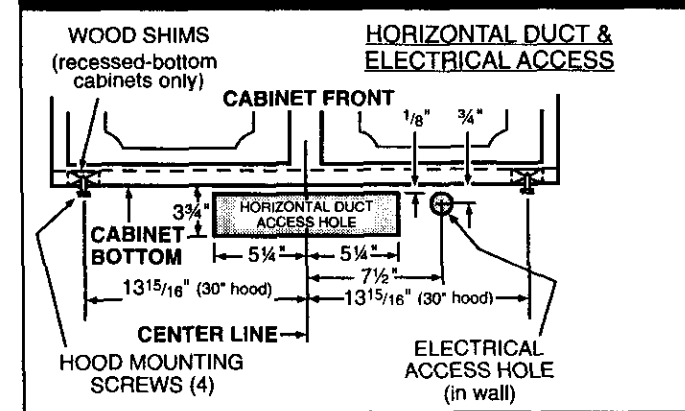
8. Reinstall blower in proper discharge direction.



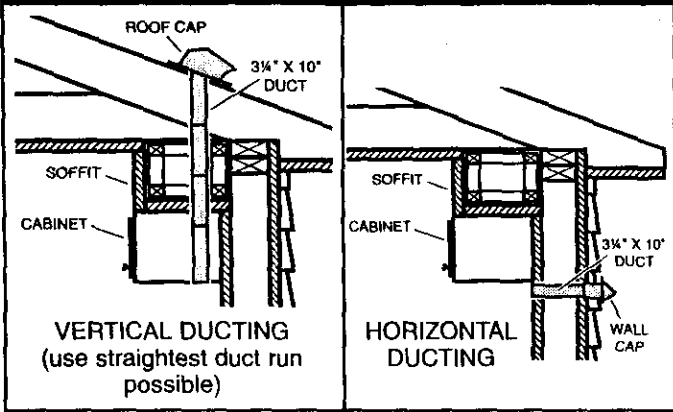
10. Attach duct connector (ducted only).



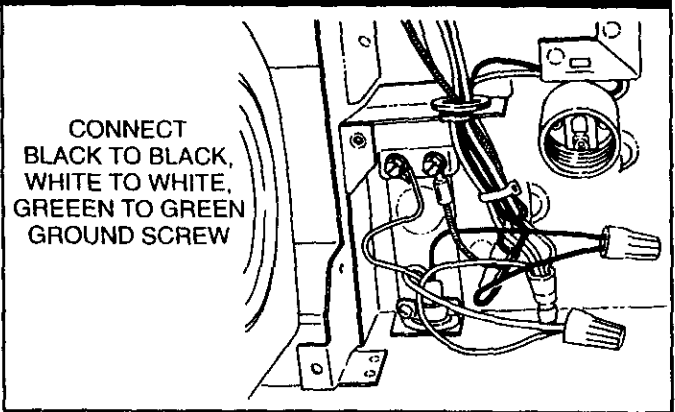
11. Cut access holes in wall, cabinet.



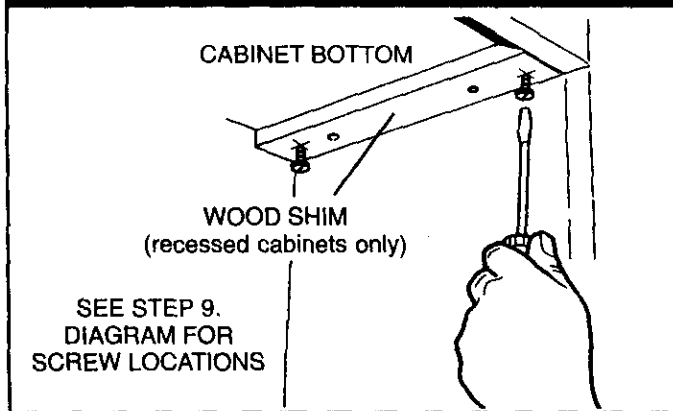
12. Install ductwork (ducted).



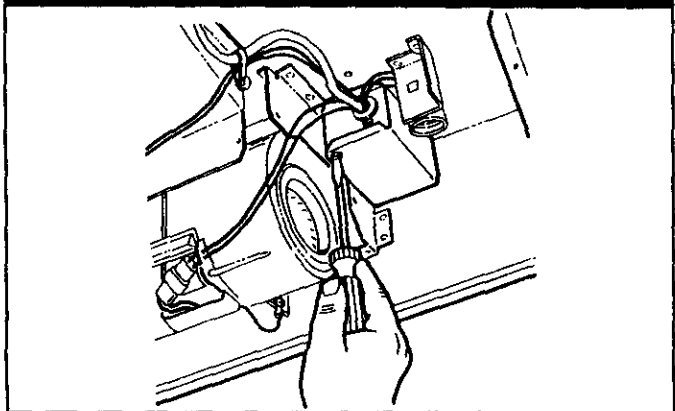
16. Connect wiring.



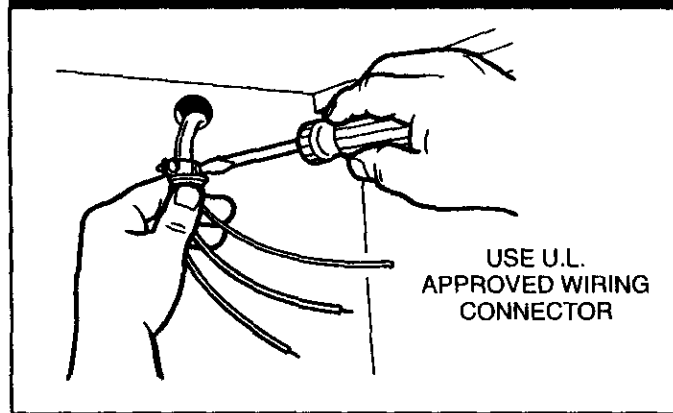
13. Install (4) mounting screws.



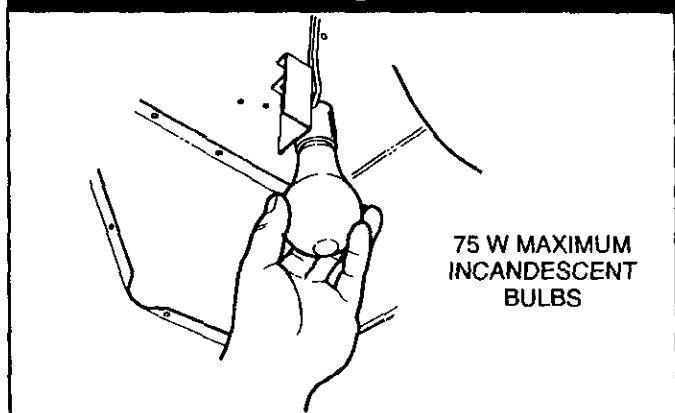
17. Replace wiring cover.



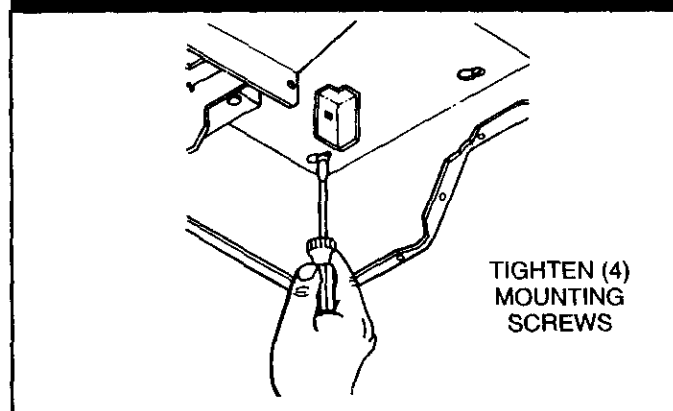
14. Connect power cable to hood.



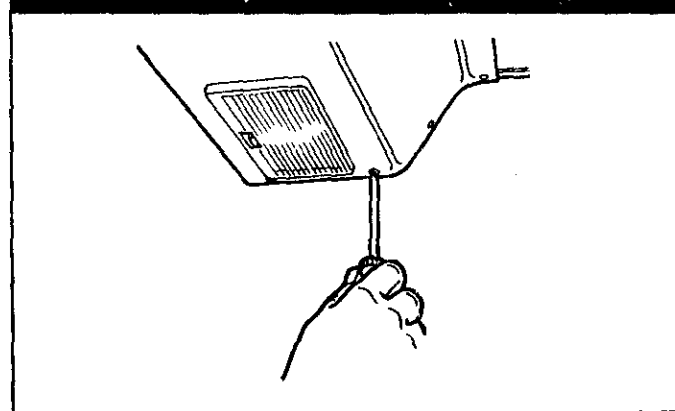
18. Install light bulbs.



15. Mount hood.

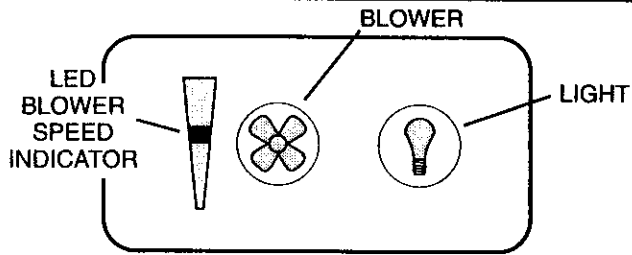


19. Replace bottom cover.



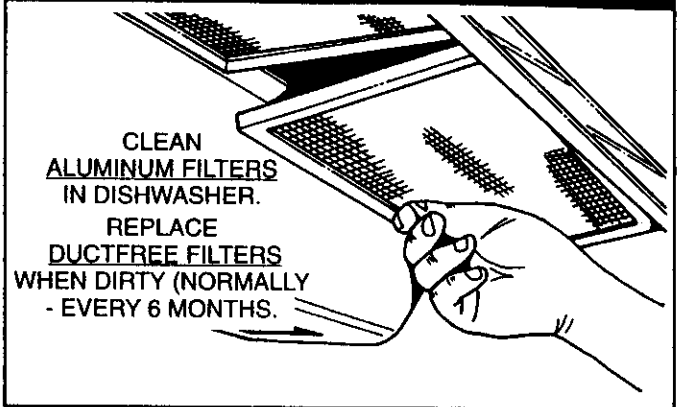
USE AND CARE

Controls



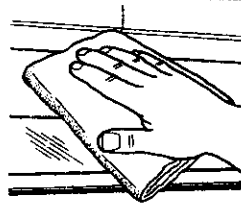
- TOUCH On
- TOUCH Off
- TOUCH HOLD Selects blower speed or light brightness
- TOUCH TWICE .. On High

Filter cleaning / replacement



Cleaning

CLEAN YOUR HOOD WITH A SOFT CLOTH AND A MILD DETERGENT ONLY.



Motor lubrication



MOTOR IS PERMANENTLY LUBRICATED - NEVER NEEDS OILING.

Light bulb replacement

USE 75 W (MAXIMUM) LIGHT BULBS.

