



WOPET

INSTRUCTIONS

WOpet Boost Automatic Feeder

F08



【CONTENTS】

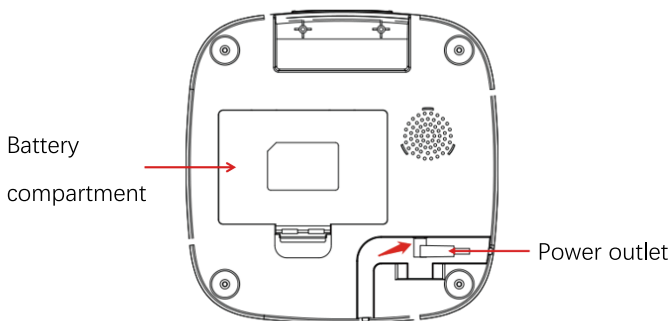
Product specification	1
Feeder introduction and assembling	2
Operation introduction	6
FAQs.....	10
FCC warnings	13
Warranty Information.....	16
Have a Question For the Seller	18

▶ Product specification

- One portion: 10 grams (9 portions at most per meal)
- Food size: Below 15 mm (dry food only)
- Pet size: Small/medium-sized dogs and cats
- Meals: 4 meals per day
- Capacity: 7 L
- Battery-powered supply: Three-D cell, Alkaline batteries
- DC-powered supply: 5V/1A DC
- Warranty: 1 year
- Model number: F08

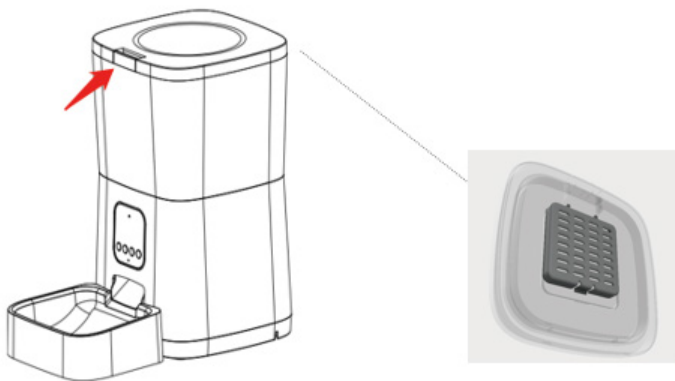
► Feeder introduction and assembling

- As shown in the picture, the power outlet is in the feeder bottom. Plug the feeder in and place the power cord towards left side or back of the feeder.
- Put in a three-D cell, alkaline batteries as back-up power to ensure that the feeder can work normally when there's a power outage.



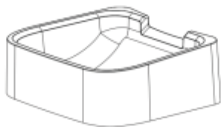
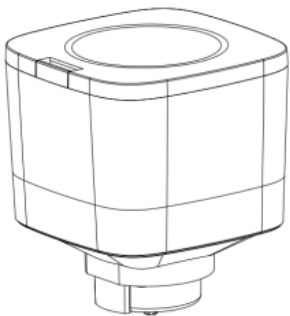
- Press the cover button to open it, and fill the food in the barrel. The desiccant compartment is attached at the cover. Put in desiccant to prevent moisture (desiccant not included.)

Note: Desiccant is recommended to be changed every month.

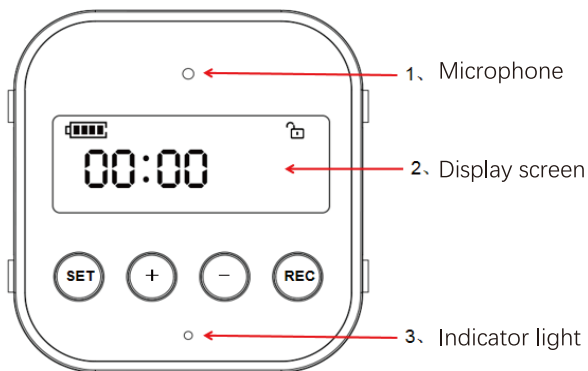


- For your pet's health, please clean the food bowl and barrel regularly. The base and the exterior parts of the feeder body can be wiped with a wet rag.

Note: DO NOT PUT THEM INTO THE WATER FOR CLEANING.



Feeder panel introduction



▶ Operation introduction

- Wake up and lock down the screen
 - Wake up: Long-press the “SET” button for 3 seconds. The screen light is on, and the green indicator light is steady on, which means the panel is in setting state.
 - Lockdown: Without any operation for 20 seconds, the screen light will turn off and the panel will Lockdown.
- Set the feeder’s current time
 - At the wake-up state, long-press the “SET” button for 3 seconds until the time number flashes. Short-press the “SET” button to select the time number, and press the “+” or “-” buttons to set the number’s value.

Note: WOpet feeders use the 24 hour time system.

■ Set the feeding programs

- At the wake-up state, short-press the “+” button to enter the first meal setting.
- And then, as setting the feeder’s current time, long-press the “SET” button for 3 seconds until the number flashes. Short-press the “SET” button to set the time numbers, the “+” or “-” to set the numbers’ value.
- During the wake-up state, press the “SET” button to move to the “portion”. Press the “+” or “-” to choose the portion (9 portions at most per meal).

- For now, the first meal setting is completed. Press the “+” button to enter other meals’ setting (4 meals at most).



Manual feeding function

- During the wake-up state, press the “SET” button and the “+” button at the same time to manually feed one portion.

Record the voice

- At the wake-up state, long-press the “REC” button and it will make one “Di” sound. Meanwhile, record your voice (10 s at most) and release it to end your recording. It will make two “Di” sound when the recording is over.
- Short-press the “REC” button to play the recording.
- At the wake-up state, long-press the “REC” button to re-recording and it will automatically replace the previous recording.

Note: The feeder supports only one piece of recording, and will play it at programmed meal times.

Reset the feeder

- At the lock-down state, long-press the “+” button for 5 seconds. All the settings will be cleared.

▶ FAQs

- Q1: The feeder doesn't dispense food fluently.
 - A: Check if the food outlet and motor are clogged by food residuals. Please use dry food with size below 15mm.
- Q2: Can not wake up/ Lockdown/ reset the feeder.
 - A: Unplug and plug the feeder, and try again.

- Q3: How long will the batteries last?
 - A: Put in the three-D cell, alkaline batteries. They will last for about 30 days.

- Q4: How to check and change the feeding programs?
 - A: During the wake-up state, press the “+” or “-” buttons to check the feeding programs. Long-press the “SET” button to change them.

- Q5: How to change the recording?
 - A: During the wake-up state, long-press the “REC” button to re-recording and it will automatically replace the previous recording.

- Q6: How many portions can a meal feed at most?
 - A: 9 portions at most and about 10 grams for each.

- Q7: How much electricity does the machine consume for a month-use?
 - A: Less than one-kilowatt hour.

▶ FCC warnings

WARNING:

Changes or modifications to this unit not expressly approved. Non-compliance could void the user's authority to operate the equipment.

NOTE:

This equipment has been tested and found to comply with the limits for a Class B digital device, pursuant to Part 15 of the FCC Rules. These limits are designed to provide reasonable protection against harmful interference in a residential installation.

This equipment generates, uses and can radiate radio frequency energy and, if not installed and used in accordance with the instructions, may cause harmful interference to radio communications. However, there is no guarantee that interference will not occur in a particular installation. If this equipment does cause harmful interference to radio or television reception, which can be determined by turning the equipment off and on, the user is encouraged to try to correct the interference by one or more of the following measures:

- Reorient or relocate the receiving antenna.
- Increase the distance between the equipment and receiver.
- Connect the equipment into an outlet on a different circuit from that to which the receiver is connected.
- Consult the dealer or an experienced radio/TV technician for help.

Shielded interface cables must be used with the equipment in order to comply with the limits for a digital device pursuant to Subpart B of Part 15 of FCC Rules. Specifications and designs are subject to change without any notice or obligation on the part of the manufacturer.

▶ Warranty Information

● TWO YEAR NON-TRANSFERRABLE LIMITED WARRANTY

- To provide customers with quality shopping and user experience,we guarantee to replace or issue a refund or provide acceptable solutions to any defective products (as customers prefer)from the date of purchase to 2 year.
- Proof of purchase must be provided (Amazon order number or receipt) when making a claim to our customer support center.
- Warranty registration may be requested within a month since the date of purchase,by sending your Amazon order number to the mailbox: support @ wopetshop.com.
- The warranty is not transferable.We only provide warranty service to buyers who purchased from our Amazon store and possess the purchase proof,and not to any other purchase or subsequent owner.
- Price matching policy is not applicable.No price difference refund.

- Sellers are the responsible party. Amazon allows different sellers to sell the same product, so please confirm the seller by checking the order details before contacting us.

● **WHAT IS COVERED**

- Received defective or used (proof needed) products;
- Received with missing parts;
- Defective item under proper use.

● **WHAT IS NOT COVERED**

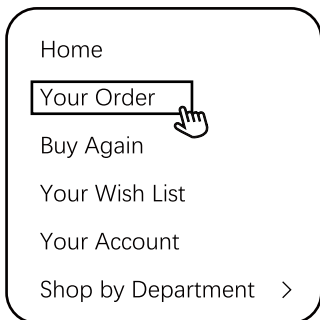
- Purchase from non-Amazon channel or other physical stores;
- Gift without proof of purchase;
- Tampering/abnormal use/accidental damage;
- Replacements and parts;
- Installation fee/labor fee.

● **MAKING A CLAIM**

- If you have any problems when using our products, please send an email to the mailbox: support @ wopetshop.com.
- 30 days free Return & Replacement
- 2-Year product Warranty.

▶ Have a Question For the Seller

1. Find your order



2. Click "View order details"



3. Click the Seller name



4. Click "Ask a question"



- Gifted parts, replacements, consumable products are not covered by the 2-year warranty
- Manufactures' warranties may not apply in all cases, depending on factors such as use of the product, where the product was purchased, or who you purchase the product from.
- Please review the warranty carefully, and contact the manufacture if you have any questions.



support@wopetshop.com



