

Owner's Manual



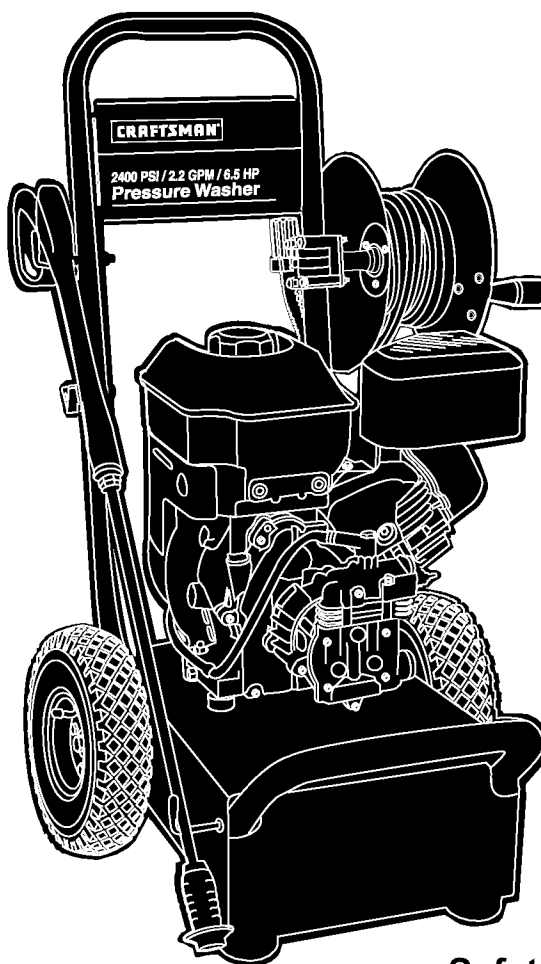
6.5 HORSEPOWER

2400 PSI

2.2 GPM

PRESSURE WASHER

Model No. 580.767302



HOURS: Mon. - Fri. 8 a.m. to 5 p.m. (CT)

CAUTION: Before using this product, read this manual and follow all Safety Rules and Operating Instructions.

- Safety
- Assembly
- Operation
- Maintenance
- Parts
- Español

SEARS, ROEBUCK and CO., Hoffman Estates, IL 60179 U.S.A.

Visit our Craftsman website: www.sears.com/craftsman

Part No. 190821GS Draft 2 (06/10/2002)

TABLE OF CONTENTS

WARRANTY.....	2	STORAGE.....	15-16
SAFETY RULES.....	2-3	TROUBLESHOOTING.....	17
ASSEMBLY.....	4-6	REPLACEMENT PARTS.....	18-25
OPERATION.....	7-10	EMISSION CONTROL WARRANTY.....	26
MAINTENANCE.....	11-14	ESPAÑOL.....	27-43
SPECIFICATIONS.....	11	HOW TO ORDER PARTS.....	BACK PAGE

WARRANTY

LIMITED WARRANTY ON CRAFTSMAN PRESSURE WASHER

For one year from the date of purchase, when this Craftsman pressure washer is maintained and operated according to the instructions in the owner's manual, Sears will repair, free of charge, any defect in material and workmanship.

If this washer is used for commercial purposes, this warranty applies for only 90 days from the date of purchase. If this pressure washer is used for rental purposes, this warranty applies for only 30 days after date of purchase.

This warranty does not cover:

- Expendable items such as spark plugs or air filters, which become worn during normal use.
- Repairs necessary because of operator abuse or negligence, including damage resulting from no water being supplied to pump or failure to maintain the equipment according to the instructions contained in the owner's manual.

Warranty service is available by returning the pressure washer to the nearest Sears service center or dealer in the United States.

This warranty gives you specific legal rights and you may also have other rights, which vary from state to state.

Sears, Roebuck and Co., Dept. 817WA, Hoffman Estates, IL 60179

SAFETY RULES



WARNING



The engine exhaust from this product contains chemicals known to the State of California to cause cancer, birth defects, or other reproductive harm.



CAUTION! When setting up, transporting, adjusting or making repairs to your pressure washer, always disconnect the spark plug wire from the spark plug and place the wire where it cannot contact spark plug.



DANGER! Engine exhaust gases contain DEADLY carbon monoxide gas. This dangerous gas, if breathed in sufficient concentrations, can cause unconsciousness or even death. Operate this equipment only in the open air where adequate ventilation is available.



WARNING! Gasoline is highly FLAMMABLE and its vapors are EXPLOSIVE. **Do Not** permit smoking, open flames, sparks or heat in the vicinity while handling gasoline. Avoid spilling gasoline on a hot engine. Allow unit to cool before refueling. Comply with all laws regulating storage and handling of gasoline.

Read this manual carefully and become familiar with your pressure washer. Know its applications, its limitations, and any hazards involved.

- Locate this pressure washer in areas away from combustible materials, combustible fumes or dust.
- The pressure equipment is designed to be used with Sears authorized parts **ONLY**. If you use this equipment with parts that do not comply with minimum specifications, the user assumes all risks and liabilities.

SAFETY RULES

- Some chemicals or detergents may be harmful if inhaled or ingested, causing severe nausea, fainting or poisoning. The harmful elements may cause property damage or severe injury.
 - **Do Not** allow CHILDREN to operate the pressure washer at any time.
 - Operate engine only at governed speed. Running the engine at excessive speeds increases the hazard of personal injury. **Do Not** tamper with parts which may increase or decrease the governed speed.
 - **Do Not** wear loose clothing, jewelry or anything that may be caught in the starter or other rotating parts.
 - Before starting the pressure washer in cold weather, check all parts of the equipment and be sure ice has not formed there. See "Storage" on page 15 for cold weather protection.
 - **Never** use a spray gun which does not have a trigger lock or trigger guard in place and in working order.
 - Keep the hose connected to machine or the spray gun while the system is pressurized. Disconnecting the hose while the unit is pressurized is dangerous.
 - **Never** operate units with broken or missing parts, or without protective housing or covers.
 - Check the fuel system for leaks or signs of deterioration, such as chafed or spongy hose, loose or missing clamps, or damaged tank or cap. Correct all defects before operating the pressure washer.
 - **Do Not** spray flammable liquids.
 - Use a respirator or mask whenever there is a chance that vapors may be inhaled. Read all instructions with mask so you are certain the mask will provide the necessary protection against inhaling harmful vapors.
 - **Never** aim the spray gun at people, animals or plants. The pressure stream of water that this equipment produces can pierce skin and its underlying tissues, leading to serious injury and possible amputation.
 - **Never** allow any part of the body to come in contact with the fluid stream. **Do Not** come in contact with a fluid stream created by a leak in the high pressure hose.
 - Always wear eye protection when you use this equipment or when you are in the vicinity where the equipment is in use.
 - High pressure spray can cause paint chips or other particles to become airborne.
 - **Do Not** operate the pressure washer above the rated pressure.
 - **Never** move the machine by pulling on the high pressure hose. Use the handle provided on the unit.
 - Always be certain the spray gun, nozzles and accessories are correctly attached.
 - **Do Not** secure the spray gun in the (open) position.
 - High pressure spray may damage fragile items including glass. **Do Not** point spray gun at glass when in the jet spray mode.
 - Hold the spray gun firmly in your hand before you start the unit. Failure to do so could result in an injury from a whipping spray gun. **Do Not** leave the spray gun unattended while the machine is running.
 - The cleaning area should have adequate slopes and drainage to reduce the possibility of a fall due to slippery surfaces.
 - Keep water spray away from electric wiring or fatal electric shock may result.
 - **Do Not** by-pass any safety device on this machine.
 - The muffler and engine heat up during operation and remain hot immediately after shutting it down. Avoid contact with a hot muffler or engine as you could be severely burned.
 - Operate and store this unit on a stable surface.
 - High pressure hose can develop leaks from wear, kinking, abuse, etc. Water spraying from a leak is capable of injecting material into skin. Inspect hose each time before using it. Check all hoses for cuts, leaks, abrasions or bulging of cover, or damage or movement of couplings. If any of these conditions exist, replace hose immediately. **Never** repair high pressure hose. Replace it with another hose that exceeds maximum pressure rating of your unit.
 - The muffler and air cleaner must be installed and in good condition before operating the pressure washer. These components act as spark arresters if the engine backfires.
- In the State of California a spark arrester is required by law (Section 4442 of the California Public Resources Code). Other states may have similar laws. Federal laws apply on federal lands.
- NOTE:** If you equip the muffler with a spark arrester, it must be maintained in effective working order. You can order a spark arrester through your authorized Sears service dealer.



THIS IS THE SAFETY ALERT SYMBOL. IT IS USED TO ALERT YOU TO POTENTIAL PERSONAL INJURY HAZARDS. OBEY ALL SAFETY MESSAGES THAT FOLLOW THIS SYMBOL TO AVOID POSSIBLE INJURY OR DEATH.

ASSEMBLY

Your pressure washer requires some assembly and is ready for use only after it has been properly serviced with the recommended oil and fuel.

If you have any problems with the assembly of your pressure washer, please call the pressure washer helpline at 1-800-222-3136.

IMPORTANT: Any attempt to run the engine before it has been serviced with the recommended oil will result in an engine failure.

REMOVE PRESSURE WASHER FROM CARTON

- Open carton and slice two corners opposite guide handle from top to bottom so the panel can be folded down flat.
- Remove hose reel box, fillers, and parts bag shipped with your pressure washer.
- Remove spray gun, nozzle extension and engine oil from fillers.
- Roll the pressure washer out the open end of the carton.
- Check carton for additional loose parts.

CARTON CONTENTS

Check all contents. If any parts are missing or damaged, call the pressure washer helpline at **1-800-222-3136**.

- The main unit
- Hose reel and mounting components
- High pressure hose
- Spray gun
- Nozzle extension with Hi/Lo adjustable nozzle
- Handle
- Engine oil
- Parts bag, which includes:
 - Owner's manual
 - Maintenance kit
 - Handle attachment hardware
 - Registration card

Become familiar with each piece before assembling the pressure washer. Check all contents against the illustration shown on page 7. If any parts are missing or damaged, call the pressure washer helpline at **1-800-222-3136**.

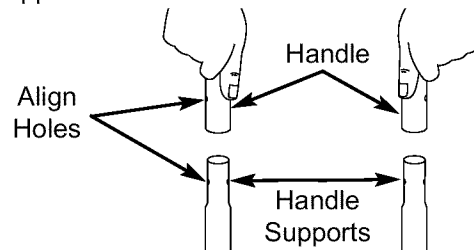
ASSEMBLING YOUR PRESSURE WASHER

Your Craftsman pressure washer was mostly assembled at the factory. However, you will need to perform these tasks before you can operate your pressure washer:

- Attach handle and hooks.
- Attach hose reel.
- Add oil to engine crankcase.
- Add fuel to fuel tank.
- Connect high pressure hose to the spray gun and the pump.
- Connect water supply to the pump.

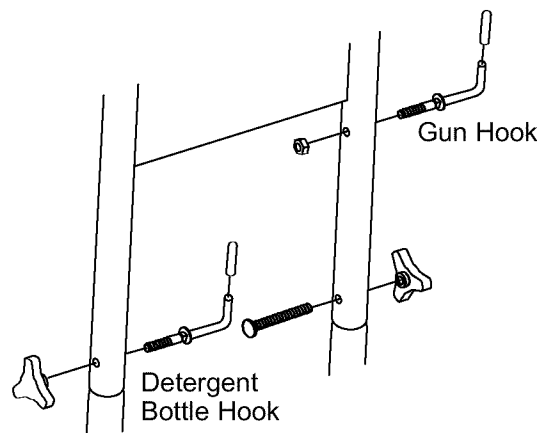
Attach Handle and Hooks

- Place the handle onto the handle supports already connected to the main unit. Make sure the holes in the handle align with the holes on the handle supports.



NOTE: It may be necessary to move the handle supports from side to side in order to align the handle so it will slide over the handle supports.

- Insert the carriage bolt through the hole on the right side of the handle (viewing from rear of unit) and attach the plastic knob. Tighten the knob by hand.
- Insert one of the "L" bolts (detergent bottle hook) through the hole on the left side of the handle (viewing from rear of unit) and attach the plastic knob. Tighten the knob by hand. If not installed, add the vinyl cap to the "L" bolt.



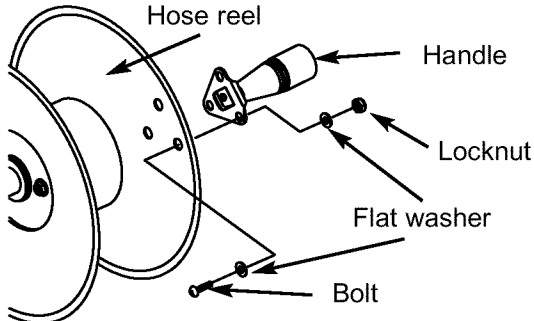
- Insert the other "L" bolt (gun hook) through the hole just under the billboard on the right side of the handle (viewing from rear of unit). Hold the hook in place with a pliers and attach the locknut with a 7/16" wrench. If not installed, add the vinyl cap to the "L" bolt.

NOTE: Be sure to hold the hook in place with the pliers until tight.

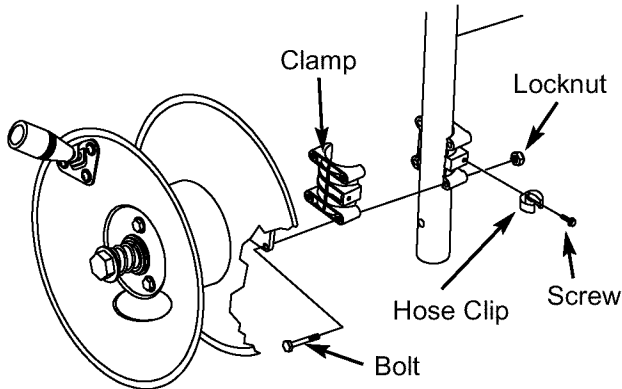
Assembling Hose Reel

IMPORTANT: You must take the hose off the reel when operating your pressure washer. The reel is for storage purposes only.

- Attach the handle to the reel with locknuts, flat washers, and bolts. Please note that the bolts are inserted with their heads inside the hose reel.



- Secure the hose reel on the handle, at the location shown on page 7 with locknuts and bolts.



- Attach the spring clip with a black self tapping screw in the hole provided on the clamp.

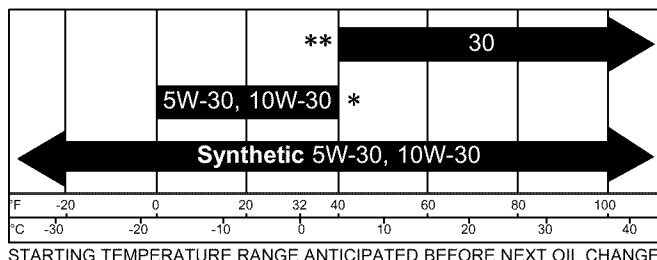
NOTE: There may be some hardware included with the hose reel kit that is not used on this model.

Add Engine Oil

IMPORTANT: Any attempt to crank or start the engine before it has been properly serviced with the recommended oil may result in an engine failure.

NOTE: When adding oil to the engine crankcase, use only high quality detergent oil rated with API service classification SF, SG, SH, SJ or higher rated SAE 30 weight. **Do Not** use special additives.

- Choose a viscosity according to the table below:



* The use of multi-viscosity oils (5W-30, 10W-30, etc.) in temperatures above 40°F (4°C) will result in higher than normal oil consumption. When using a multi-viscosity oil, check oil more frequently.

** If using SAE 30 oil in temperatures below 40°F (4°C), it will result in hard starting and possible engine bore damage due to inadequate lubrication.

- Place pressure washer on a level surface.
- Clean area around oil fill.
- Remove oil fill cap.
- Pour oil slowly. Fill to the point of overflowing.
- Replace oil fill cap, tighten securely.

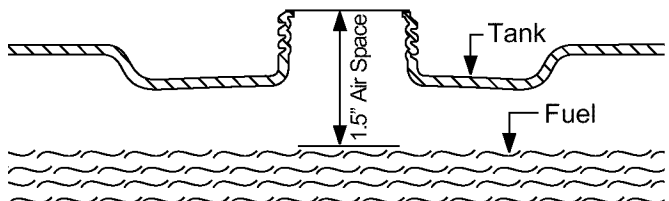
NOTE: Check oil often during engine break-in.

Add Gasoline

WARNING! Never fill fuel tank indoors. Never fill fuel tank when engine is running or hot. **Do Not** smoke when filling fuel tank.

WARNING! Never fill fuel tank completely full. Provide space for fuel expansion. Wipe away any fuel spillage from engine and equipment and let residue evaporate before starting.

- Use fresh, clean unleaded automotive gasoline and store in approved, clean, covered containers. Use clean fill funnels. **Never** use "stale" gasoline left over from last season or gasoline stored for long periods.
- Clean area around fuel fill cap, remove cap.
- Slowly add gasoline to fuel tank. Use a funnel to prevent spillage. Fill tank to about 1.5" below top of the filler neck to allow for fuel expansion.

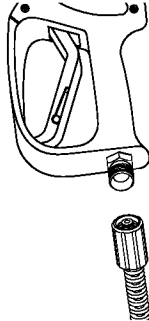


- Install fuel cap and wipe up any spilled gasoline.

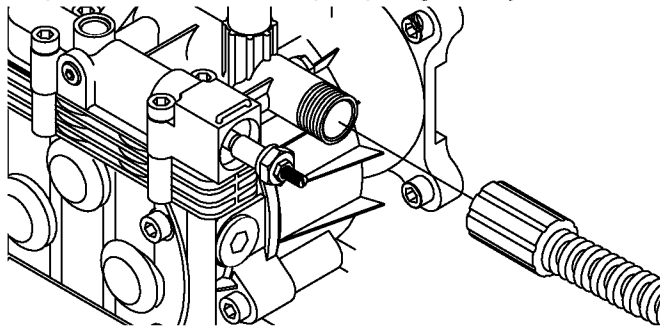
Connect Hose and Water Supply to Pump

IMPORTANT: You must attach all hoses before you start engine. Starting engine without all hoses connected and water supplied will damage pump.

- Uncoil high pressure hose and attach one end of hose to the base of the spray gun. Tighten by hand.

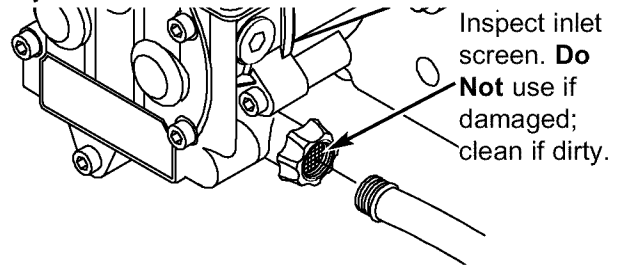


- Attach other end of high pressure hose to the high pressure outlet on the pump. Tighten by hand.



- Before you connect your garden hose to the water inlet, inspect the inlet screen. Clean the screen if it contains debris or have it replaced if damaged. **DO NOT RUN THE PRESSURE WASHER IF THE INLET SCREEN IS DAMAGED. NEVER SIPHON INLET WATER.**
- Run water through garden hose for 30 seconds to flush it of debris.

- Connect the garden hose to the water inlet. Tighten by hand.



CAUTION! There MUST be at least ten feet of unrestricted garden hose between the pressure washer inlet and any flow shut off device, such as a 'Y' shut-off connector or other convenience-type water shut-off valve. Damage to pressure washer resulting from disregarding this warning will not be covered by the warranty.

- Turn ON the water (open supply valve completely).

CAUTION! Before starting the pressure washer, be sure you are wearing adequate eye protection.

CHECKLIST BEFORE STARTING ENGINE

Review the assembled unit to ensure you have performed all of the following:

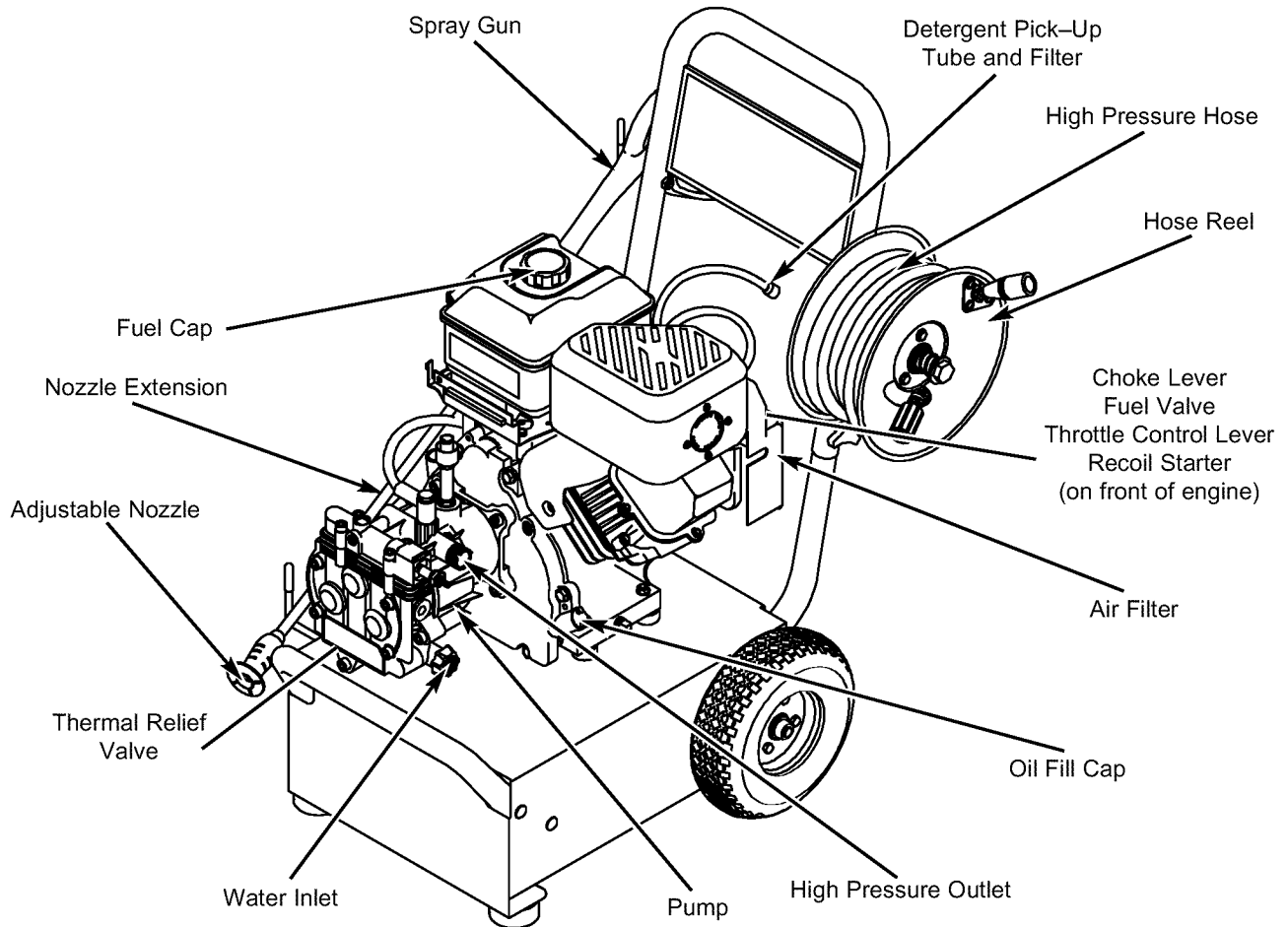
- Check that hose reel fasteners are tight.
- Check that oil has been added to proper level in engine crankcase.
- Add proper gasoline to fuel tank.
- Check for properly tightened hose connections (high pressure and water supply) and that there are no kinks, cuts, or damage to the high pressure hose.
- Provide proper water supply (not to exceed 100°F).
- Be sure to read "Safety Rules" and "Operation" sections before using the pressure washer.
- If starting unit after storage, see "Storage" section on page 15.

OPERATION

KNOW YOUR PRESSURE WASHER

Read the owner's manual and safety rules before operating your pressure washer.

Compare the illustrations with your pressure washer to familiarize yourself with the locations of various controls and adjustments. Save this manual for future reference.



Adjustable Nozzle – Always attached to nozzle extension. Pull back for high pressure or push forward for low pressure; turn clockwise for narrow spray or turn counterclockwise for fan spray.

Air Filter – Dry type filter element limits the amount of dirt and dust that gets in the engine.

Choke Lever - Used to help start a cold engine.

Chemical Injection Siphon/Filter – Used to siphon detergent from chemical bottle to the low pressure water stream.

Fuel Valve — Used to turn fuel on and off to engine.

Fuel Cap – Engine is filled with regular unleaded gasoline here.

High Pressure Hose – Connect one end to the spray gun and other end to the high pressure outlet.

High Pressure Outlet – Connection for high pressure hose.

Hose Reel — Used for storing hose while unit is not in use. Hose must be detached from unit and spray gun before storage.

Nozzle Extension - Attach to spray gun to use adjustable nozzle.

Oil Fill Cap – Engine is filled with oil here. See page 5 for oil recommendations and filling instructions.

Pump – Develops high water pressure.

Recoil Starter – Used for starting the engine.

Spray gun – Controls the application of water onto cleaning surface with trigger device. Includes safety latch.

Thermal Relief Valve - Discharges pump water if it becomes too hot.

Throttle Control Lever – Sets engine in starting mode for recoil starter and stops running engine.

Water Inlet – Connection for garden hose.

HOW TO USE YOUR PRESSURE WASHER

If you have any problems operating your pressure washer, please call the pressure washer helpline at 1-800-222-3136.

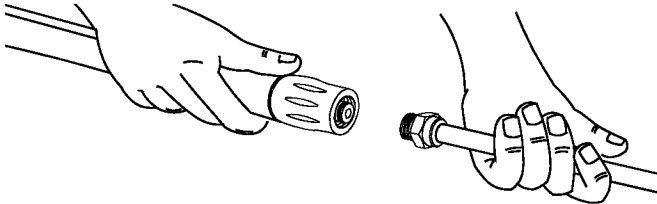
To Start Your Pressure Washer

To start your engine-powered pressure washer for the first time, follow these instructions step-by-step. This starting information also applies whenever you start the engine after you have let the pressure washer sit idle for at least a day.

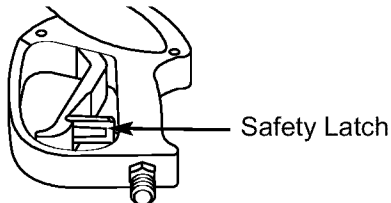
- Place the pressure washer in an area close enough to an outside water source capable of supplying water at a flow rate greater than 2.4 gallons per minute.
- Check that the high pressure hose is tightly connected to the spray gun and to the pump. See "Assembling Your Pressure Washer" for illustrations.
- Make sure unit is in a level position.
- Connect the garden hose to the water inlet on the pressure washer pump. **Turn ON the water.**

CAUTION! Do Not run the pump without the water supply connected and turned on. You must follow this caution or the pump will be damaged.

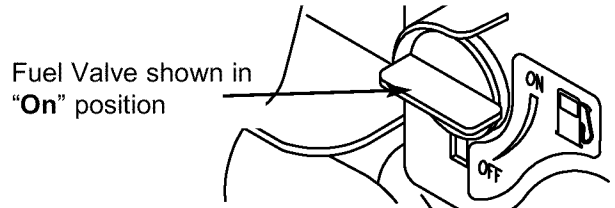
- Squeeze trigger on gun to purge pump system of air and impurities.
- Attach nozzle extension to spray gun. Tighten by hand.



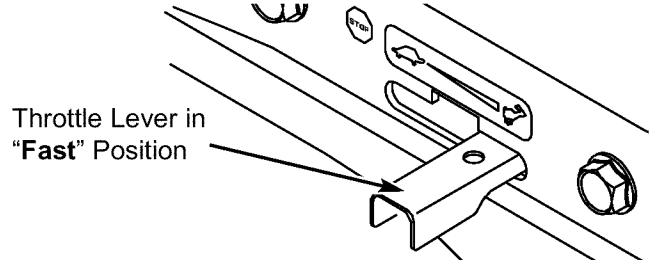
- Position the nozzle in the low pressure mode (slide nozzle forward) and squeeze the trigger on the spray gun to relieve pressure caused by turning ON the water. Water will flow out of the gun in a thin stream. Continue to hold trigger until there is a steady stream of water and no air remains in the system. Release the trigger.
- Engage the safety latch to the spray gun trigger.



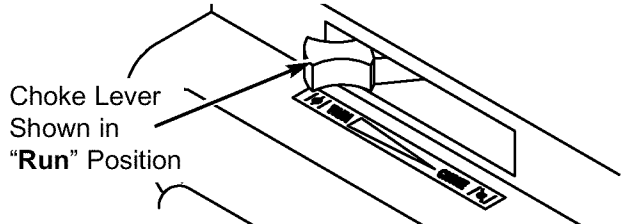
- Rotate the fuel shut-off valve to the "On" position (fully counter-clockwise).



- Move the throttle lever to "Fast" position.



- Move the choke lever to the "Choke" position.



NOTE: For a warm engine, be sure the choke lever is in the "Run" position.

- Grasp the unit's handle with your left hand. Pull the starter grip lightly with your right hand until you feel some resistance, then pull briskly.
- Return the starter grip handle slowly. **Do Not** let rope "snap back" against starter.
- When engine starts, slowly move choke lever to the "Run" position. If engine falters, move choke lever to the "Choke" position, then to the "Run" position.
- If engine fails to start after six pulls, move choke lever to the "Run" position. If engine fires, but does not continue to run, move choke lever to the "Choke" position, then to the "Run" position.

NOTE: If the recoil starter is hard to pull, it may be necessary to squeeze the gun trigger to relieve internal pump pressure.

How to Stop Your Pressure Washer

- Move throttle lever to "Stop" position.
- Turn the fuel shut-off valve to the "Off" position (fully clockwise).
- **Squeeze trigger on the spray gun to relieve pressure in the hose.**

NOTE: A small amount of water will squirt out when you release the pressure.

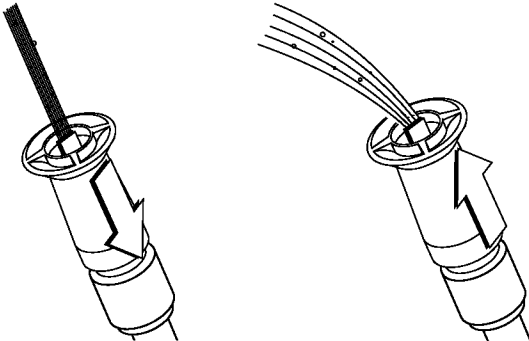
How To Use the Adjustable Nozzle

Now that you know how to **START** and **STOP** your pressure washer, the information in this section will tell you how to adjust the spray pattern and apply detergent or other cleaning chemicals.

CAUTION! Never adjust spray pattern when spraying. Never put hands in front of nozzle to adjust spray pattern.

On the end of your spray gun is an adjustable nozzle that you can use to adjust the spray pattern and the spray pressure.

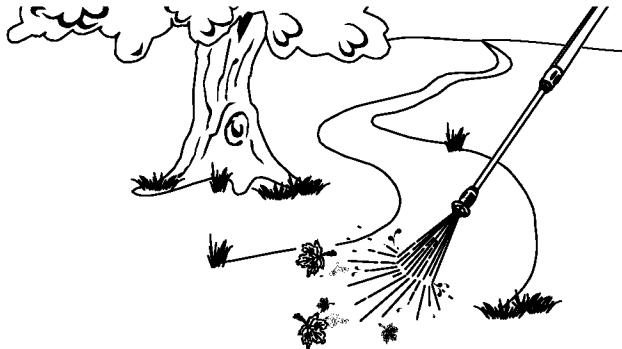
- Slide the nozzle forward for low pressure spray; slide it backward for high pressure spray.



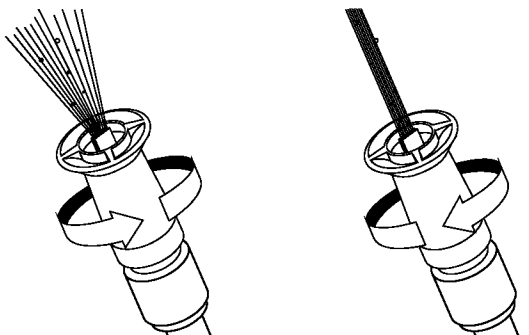
Slide nozzle backward for high pressure mode.

Slide nozzle forward for low pressure mode and detergent application.

- Point the nozzle towards a hard surface, disengage the safety latch, and press the trigger to test the pattern.



- Rotating the nozzle adjusts the spray pattern from a narrow pattern to a fan pattern.



Twist nozzle counter-clockwise for fan pattern.

Twist nozzle clockwise for narrow spray pattern.

- For most effective cleaning, keep the spray nozzle between 8 to 24 inches away from cleaning surface.
- If you get the spray nozzle too close, especially using high pressure mode, you may damage the surface being cleaned.
- **Do Not** get closer than 8 inches when cleaning tires.

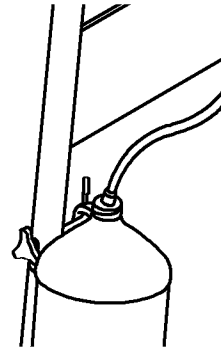
Applying Detergent with the Adjustable Nozzle

IMPORTANT: Use chemicals designed specifically for pressure washers. Household detergents could damage the pump.

IMPORTANT: You **MUST** attach all hoses before you start the engine. Starting the engine without all the hoses connected and without the water turned ON will damage the pump.

To apply detergent, follow these steps:

- Review the use of the adjustable nozzle.
- Prepare detergent solution as required by the job.
- Hang the detergent solution container on the lowest hook attached to the handle.



- Place the filter end of the detergent siphoning tube into the detergent container.

CAUTION! When inserting the filter into the detergent container, route the tube so as to keep it from inadvertently contacting the hot muffler.

- Slide the adjustable nozzle forward to low pressure mode. Detergent cannot be applied with the nozzle in high pressure position.
- Make sure the garden hose is connected to the water inlet. Check that the high pressure hose is connected to the spray gun and the pump. Start the engine.
- Apply detergent to a dry surface, starting from the bottom and working up.
- Allow the detergent to “soak in” for 3-5 minutes before rinsing. Reapply as needed to keep the surface wet.
- For washing, start at lower portion of area to be washed and work upward, using long, even, overlapping strokes.

Pressure Washer Rinsing



WARNING! Be extremely careful if you use the pressure washer from a ladder, scaffolding or any other relatively unstable location. Pressure in a running washer builds as you climb. When you press the trigger, the recoil from the initial spray could cause you to fall. The high pressure spray could also cause you to fall if you are too close to the cleaning surface.

For Rinsing:

- Slide the nozzle backward to high pressure, press the trigger and wait for the detergent to clear.

NOTE: You can also stop detergent flow by removing detergent siphoning tube from container.

- Keep the spray gun a safe distance from the area you plan to spray.
- Apply a high pressure spray to a small area, then check the surface for damage. If no damage is found, it is okay to continue cleaning.
- Start at the top of the area to be rinsed, working down with same overlapping strokes as you used for washing and applying detergent.

Automatic Cool Down System (Thermal Relief)

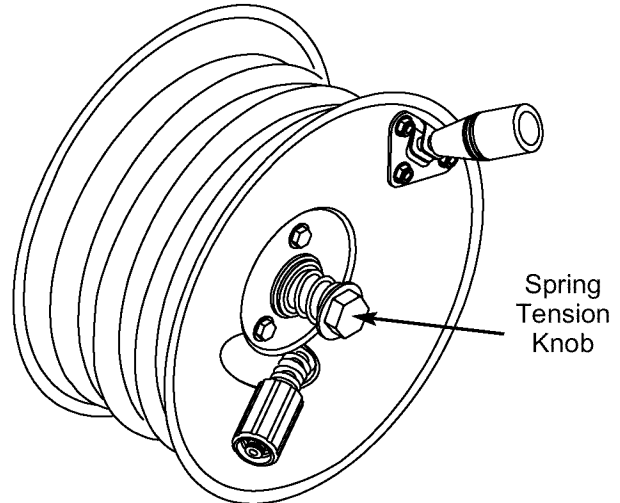
If you run the engine on your pressure washer for 3-5 minutes without pressing the trigger on the spray gun, circulating water in the pump can reach temperatures between 125°–155°F. The automatic cool down system engages at this temperature and cools the pump by discharging the warm water onto the ground, preventing internal pump damage.

How to Use the Hose Reel

Your pressure washer is equipped with a hose reel that is designed to store your hose when unit is not in use. These instructions are for short term storage only. For long term storage see “Storage” on page 15.

After each use:

- Disconnect hose from spray gun and high pressure outlet on pump.
- Drain water from hose.
- Slide one end of the hose into the hole on the hose reel. Turn the hose reel with the handle to coil the hose onto the reel.



- Push the other end of the hose into the clip on the handle of your unit.

IMPORTANT: Do Not use your pressure washer with the hose coiled onto the hose reel. The hose reel is for storage purposes only.

Adjustable Hose Reel Spring Tension

The hose reel is provided with a spring tension adjustment knob, as shown above.

Although the operator can loosen or tighten the knob to achieve the desired reel tension, the manufacturer recommends that the knob be fully hand tightened (clockwise).

MAINTENANCE

OWNER'S RESPONSIBILITIES

Follow the hourly or calendar intervals, whichever occurs first.

More frequent service is required when operating in adverse conditions noted below.

MAINTENANCE SCHEDULE FILL IN DATES AS YOU COMPLETE REGULAR SERVICE	HOURLY OPERATING INTERVAL			SERVICE DATES			
	Before Each Use	Every 50 Hours or Yearly	Every 100 Hours or Yearly				
MAINTENANCE TASK							
PRESSURE WASHER							
Check/clean water inlet screen	X ¹						
Check high pressure hose	X						
Check detergent hose	X						
Check spray gun and assembly for leaks	X						
Purge pump of air and contaminants	X						
Prepare pump for storage below 32°F	See "Storage" on page 15.						
ENGINE							
Check oil level	X						
Change engine oil		X ²					
Service air cleaner			X ³				
Service spark plug			X				
Service spark arrester		X					
Prepare for storage	If unit is to remain idle for longer than 30 days.						

¹ Clean if clogged. Replace if perforated or torn.

² Change oil after the first (5) operating hours and every 50 hours or every year, whichever occurs first, thereafter. Change sooner when operating under dirty or dusty conditions.

³ Replace more often under dirty or dusty conditions.

PRODUCT SPECIFICATIONS

Pressure Washer Specifications

Pressure 2400 PSI
 Flow Rate 2.2 GPM
 Chemical Mix Use as directed
 Water Supply Temperature Not to Exceed 100°F
 Shipping Weight 94 lbs.

Engine Specifications

Rated Horsepower 6.5 HP
 Spark Plug Type:
 Resistor Champion RC12YC
 Long Life Platinum Champion RC12PYP
 Set Gap To: 0.020 inches (0.50 mm)
 Gasoline Capacity 3.0 Quarts
 Oil
 Above 40°F SAE 30
 0°F - 40°F SAE 5W-30 or 10W-30

GENERAL RECOMMENDATIONS

The pressure washers warranty does not cover items that have been subjected to operator abuse or negligence. To receive full value from the warranty, the operator must maintain pressure washer as instructed in this manual including proper storage as detailed in "Storage" on page 15.

Some adjustments will need to be made periodically to properly maintain your pressure washer.

All service and adjustments should be made at least once each season. Follow the requirements in the "Maintenance Schedule" chart above.

NOTE: Once a year you should clean or replace the spark plug and replace the air filter. A new spark plug and clean air filter assure proper fuel-air mixture and help your engine run better and last longer.



BEFORE EACH USE

- Check engine oil level.
- Check water inlet screen for damage.
- Check high pressure hose for leaks.
- Check chemical filters for damage.
- Check spray gun and nozzle extension assembly for leaks.
- Purge pump of air and contaminants.

PRESSURE WASHER MAINTENANCE

Check and Clean Inlet Screen

Examine garden hose inlet screen. Clean if it is clogged or replace if it is torn.

Check High Pressure Hose

High pressure hoses can develop leaks from wear, kinking, or abuse. Inspect hose before each use. Check for cuts, leaks, abrasions, bulging of cover, or damage or movement of couplings. If any of these conditions exist, replace hose immediately.



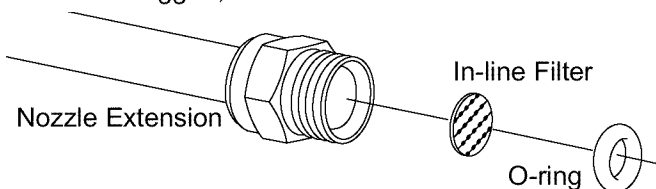
DANGER! Never repair a high pressure hose. Replace with hose that exceeds the maximum pressure rating of your pressure washer.

Check Spray Gun and Nozzle Extension

Examine hose connection to spray gun and make sure it is secure. Test trigger by pressing it and making sure it springs back into place when you release it. Engage safety latch and test trigger. You should not be able to press trigger. Replace spray gun immediately if it fails any of these tests.

Check In-Line Filter

Refer to the illustration and service the in-line filter if it becomes clogged, as follows:



1. Detach spray gun and nozzle extension from high pressure hose. Detach nozzle extension from spray gun and remove o-ring and screen from nozzle extension. Flush the screen, spray gun, and nozzle extension with clean water to clear debris.
2. If the screen is damaged, the o-ring kit contains a replacement in-line filter screen and an o-ring. If undamaged, reuse screen.

3. Place the in-line filter screen into the threaded end of the nozzle extension. Direction does not matter. Push the screen in with the eraser end of a pencil until it rests flat at the bottom of the opening. Take care to not bend the screen.
4. Place the o-ring into the recess. Push the o-ring snugly against the in-line filter screen.
5. Assemble the nozzle extension to the spray gun, as described earlier in this manual.

Purge Pump of Air and Contaminants

To remove air from the pump, follow these steps:

- Set up the pressure washer as described in the ASSEMBLY section and connect the water supply.
- Pull the trigger on the spray gun and hold until a steady stream of water appears.

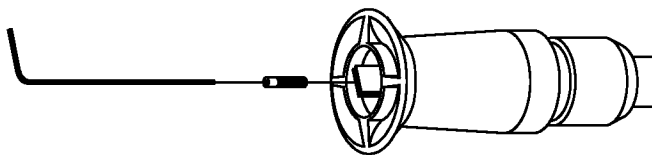
To remove contaminants from the pump, follow these steps:

- Set up the pressure washer as described in the ASSEMBLY section, and connect the water supply.
- Remove the nozzle extension from the spray gun.
- Start the engine according to instructions in OPERATION section.
- Pull the trigger on the spray gun and hold.
- When the water supply is steady and constant, engage the safety latch and refasten the nozzle extension.

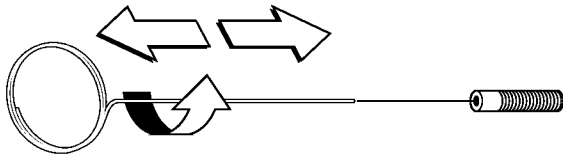
Nozzle Maintenance

A pulsing sensation felt while squeezing the spray gun trigger may be caused by excessive pump pressure. The principal cause of excessive pump pressure is a nozzle clogged or restricted with foreign materials, such as dirt, etc. To correct the problem, immediately clean the nozzle using the tools included with your pressure washer and follow these instructions:

1. Shut off the engine and turn off the water supply.
2. Detach the nozzle extension from the spray gun. Twist the nozzle clockwise to the stream position. Using the supplied 2mm (5/64) allen wrench, remove the nozzle from the end of the nozzle extension.

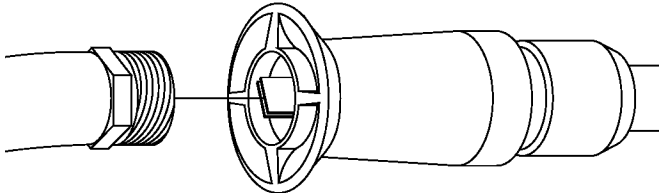


3. Remove the in-line filter from the other end of the nozzle extension.
4. Use the wire included in the kit (or a small paper clip) to free any foreign material clogging or restricting the nozzle.



Insert wire into nozzle and turn back and forth to clear obstruction.

- Using a garden hose, remove additional debris by back flushing water through the nozzle extension. Back flush between 30 to 60 seconds. Turn the adjustable nozzle extension to stream spray and move the nozzle from low to high while flushing.



- Reinstall the nozzle and in-line filter into the nozzle extension. **Do Not** overtighten the nozzle with the allen wrench.
- Reconnect the nozzle extension to the spray gun.
- Reconnect the water supply, turn on the water, and start the engine.
- Test the pressure washer by operating with nozzle in the high and in the low positions.

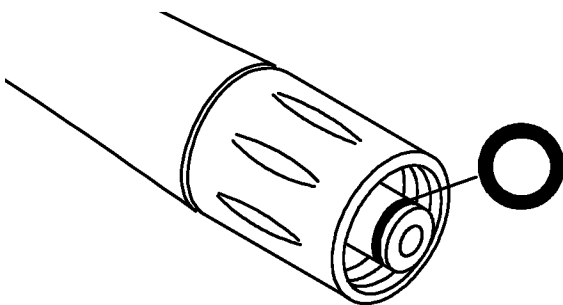
O-RING MAINTENANCE

Your pressure washer uses o-rings to keep hose and spray gun connections tight and leak-free. Through the normal operation of your unit, these o-rings may become worn or damaged.

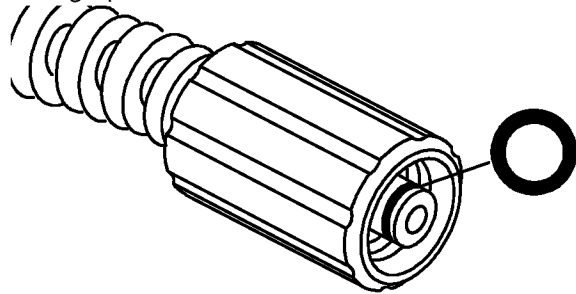
Provided with your pressure washer is an O-Ring Maintenance Kit which includes replacement o-rings, rubber washer and water inlet filter. Refer to the instruction sheet provided in the kit to service your unit's o-rings. Note that not all of the parts in the kit will be used on your unit.

Parts in the O-Ring Kit Include:

- 1 o-ring, red, (p/n B2726) for the end of the spray gun connection between spray gun and nozzle extension.

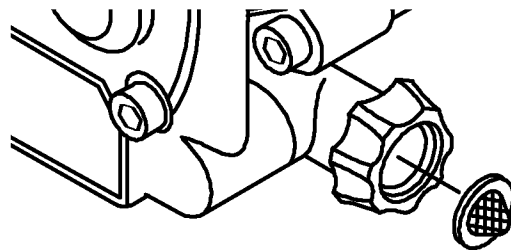


- 1 o-ring, yellow, (p/n B2264) for the end of the high pressure hose.



NOTE: The above two o-rings are close in size. Please match carefully to assure proper o-ring usage.

- 1 water inlet screen (p/n B2384) for the garden hose connector.



To remove a worn or damaged O-Ring:

- Use a small flathead screwdriver to get underneath the o-ring and pry it off.

ENGINE MAINTENANCE

Checking Oil Level

Oil level should be checked prior to each use or at least every 5 hours of operation. Keep oil level maintained.

Changing Oil

Change engine oil after the first 5 hours and every 50 hours thereafter. If you are using your pressure washer under extremely dirty or dusty conditions, or in extremely hot weather, change oil more often.

Change oil while engine is still warm from running, as follows:

- Drain fuel tank by running pressure washer until fuel tank is empty.
- Disconnect spark plug wire and keep it away from the spark plug.
- Remove oil drain plug and drain oil into appropriate receptacle.
- Reinstall drain plug. Remove oil fill cap.
- Fill to point of overflowing at oil fill cap with recommended oil.
- Reinstall oil fill plug and tighten securely.
- Wipe up any remaining oil.
- Reconnect spark plug wire to the spark plug.

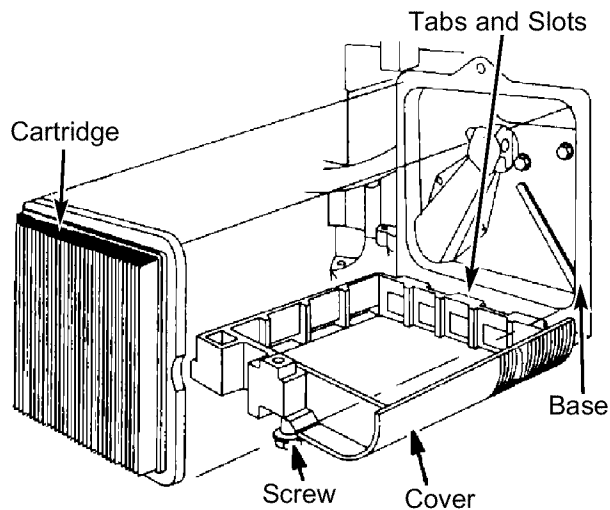
Service Air Cleaner

Your engine will not run properly and may be damaged if you run it with a dirty air cleaner.

Replace the air cleaner every 100 hours of operation or once each year, whichever comes first. Replace more often if operating under dirty or dusty conditions.

To service the air cleaner, follow these steps:

- Loosen screw and tilt cover down.
- Carefully remove cartridge assembly.
- To clean cartridge, gently tap pleated paper side on a flat surface.
- Reinstall clean or new cartridge inside cover.



- Insert cover's tabs into slots in bottom of base.
- Tilt cover up and tighten screw securely to base.

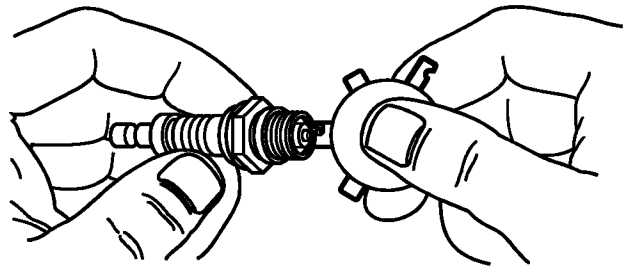
NOTE: You can purchase new air filter elements by calling **1-800-366-PART**.

Service Spark Plug

Service the spark plug every 100 hours of operation or yearly, whichever occurs first.

CAUTION! Disconnect spark plug wire from spark plug and keep wire away from spark plug while servicing engine.

- Clean area around spark plug.
- Remove and inspect spark plug.
- Replace spark plug if the electrodes are worn, or if the insulator is cracked or chipped.
- For replacement use either the standard resistor spark plug, Champion RC12YC or the long life platinum spark plug, Champion RC12PYP.
- Check electrode gap with wire feeler gauge and set gap at 0.020 inches (0.50mm), if necessary.



- Install spark plug, tighten securely.

NOTE: You can purchase a new spark plug by calling **1-800-366-PART**.

Carburetor

If you think your carburetor needs adjusting, see your nearest Sears service center. Engine performance may be affected at altitudes above 7000 feet. For operation at higher elevations, contact your nearest Sears service center.

Spark Arrester Service

Your engine is not factory-equipped with a spark arrester. In some areas, it is illegal to operate an engine without a spark arrester. Check local laws and regulations. A spark arrester is available from your nearest Sears service center. If you need to order a spark arrester, please call **1-800-366-PART**.

The spark arrester must be serviced every 50 hours to keep it functioning as designed.

If the engine has been running, the muffler will be very hot. Allow the muffler to cool before servicing the spark arrester.

- Remove spark arrester screen for cleaning and inspection.
- Replace if screen is damaged.

STORAGE

AFTER EACH USE

Water should not remain in the unit for long periods of time. Sediments or minerals can deposit on pump parts and “freeze” pump action. Follow these procedures after every use:

- Flush detergent siphoning tube by placing the filter into a pail of clean water while running pressure washer in low pressure mode (adjustable nozzle in the forward position). Flush for one to two minutes.
- Shut off engine, let it cool, then remove garden and high pressure hoses.
- Disconnect spark plug wire from spark plug.
- Empty the pump of all liquids by pulling recoil handle about 6 times. This should remove most of the liquid in the pump.
- If storing for more than 30 days see “Long Term Storage” on next page.
- Disconnect hose from spray gun and high pressure outlet on pump. Drain water from hose, gun, and nozzle extension. Use a rag to wipe off the hose.
- Coil the high pressure hose and inspect it for damage. Cuts in the hose or fraying could result in leaks and loss of pressure. Should any damage be found, replace the hose. **Do Not** attempt to repair a damaged hose. Replace the hose with the genuine Craftsman part.
- Slide one end of the hose into the hole on the hose reel. Turn the hose reel with the handle to coil the hose onto the reel. Push the other end of the hose into the clip on the side of the unit.
- Reconnect spark plug wire to spark plug.

- Store unit in a clean, dry area.



WARNING! Never store the engine with fuel in the gas tank indoors or in enclosed, poorly ventilated areas where fumes may reach an open flame, a spark, or standing gas pilot.

WINTER STORAGE

CAUTION! You must protect your unit from freezing temperatures. Failure to do so will permanently damage your pump and render your unit inoperable. Freeze damage is not covered under warranty.

To protect the unit from freezing temperatures:

- Flush detergent siphoning tube by placing the filter into a pail of clean water while running pressure washer in low pressure mode (adjustable nozzle in the forward position). Flush for one to two minutes.
- Empty the pump of all pumped liquids by pulling recoil handle about 6 times. This should remove most of the liquid in the pump.
- Use PumpSaver, available at Sears retail item number 74403, to treat pump. This prevents freeze damage and lubricates pistons and seals.
- If pump saver is not available, connect a 3-foot section of garden hose to the water inlet adapter. Pour RV-antifreeze (antifreeze without alcohol) into the hose. Pull the recoil handle twice. Disconnect 3-foot hose.

LONG TERM STORAGE

If you do not plan to use the pressure washer for more than 30 days, you must prepare the engine and pump for long term storage.

It is important to prevent gum deposits from forming in essential fuel system parts such as the carburetor, fuel filter, fuel hose or tank during storage. Also, experience indicates that alcohol-blended fuels (called gasohol, ethanol or methanol) can attract moisture, which leads to separation and formation of acids during storage. Acidic gas can damage the fuel system of an engine while in storage.

Protect Fuel System

Fuel Additive:

If adding a fuel additive, fill the fuel tank with fresh gasoline. If only partially filled, air in the tank will promote fuel deterioration during storage. Engine and fuel can be stored up to 24 months with additive.

- Add fuel additive following manufacturer's instructions.
- Connect water supply to pump inlet and turn it ON.
- Run the engine outdoors for 10 minutes to be sure that treated gasoline has replaced the untreated gasoline in the carburetor.

If fuel additive is not used, remove all fuel from tank and run engine until it stops from lack of fuel.

Change Oil

While engine is still warm, drain oil from crankcase. Refill with recommended grade. See "Changing Oil" on page 13.

Oil Cylinder Bore

- Remove spark plug. Squirt about 1 tablespoon of clean engine oil into the cylinder. Cover spark plug hole with rag. Pull recoil handle slowly to distribute oil. Avoid spray from spark plug hole.
- Install spark plug. **Do Not** connect spark plug wire.

Protect Pump

To protect the pump from damage caused by mineral deposits or freezing, use the pump saver (Sears item number 74403).



CAUTION! Read and follow all cautions and warnings on the pump saver can label. Always wear eye protection when using pump saver.

To use pump saver, make sure the pressure washer is turned off and disconnected from supply water. Read and follow all instructions and warnings given on the pump saver container.

NOTE: If pump saver is not available, draw RV antifreeze (non-alcohol) into the pump by pouring the solution into a 3-foot section of garden hose connected to inlet adapter and pulling recoil handle twice.

NOTE: PumpSaver will drip from pump after treatment and will stain wood and concrete.

OTHER

- **Do Not** store gasoline from one season to another.
- If possible, store your unit indoors and cover it to give protection from dust and dirt. **BE SURE TO EMPTY THE FUEL TANK.**

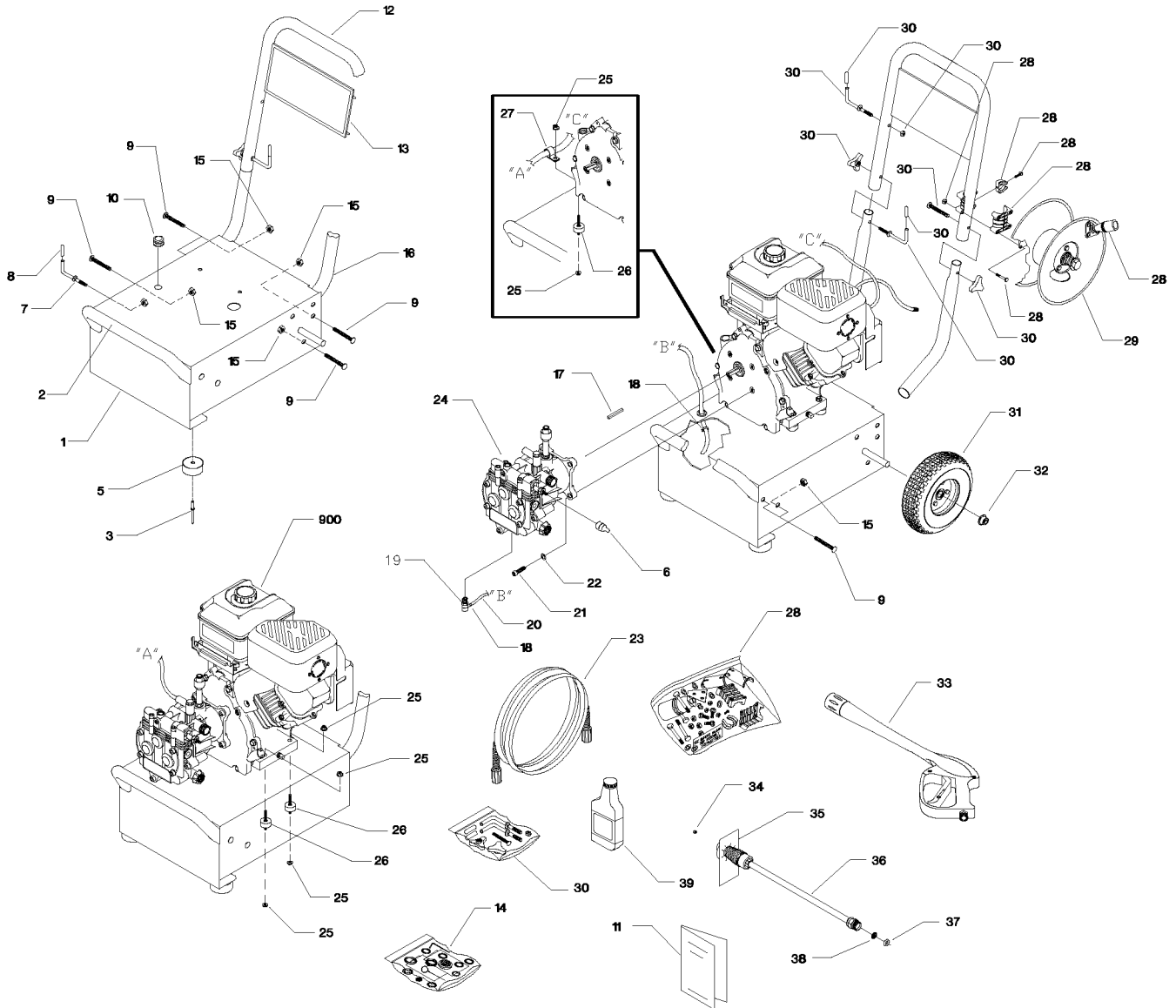
IMPORTANT: **Never** cover your pressure washer while engine and exhaust area are warm.

TROUBLESHOOTING

Problem	Cause	Correction
Pump has following problems: failure to produce pressure, erratic pressure, chattering, loss of pressure, low water volume.	<ol style="list-style-type: none"> 1. Nozzle in low pressure mode. 2. Water inlet is blocked. 3. Inadequate water supply. 4. Inlet hose is kinked or leaking. 5. Clogged inlet hose strainer. 6. Water supply is over 100°F. 7. High pressure hose is blocked or leaks. 8. Gun leaks. 9. Nozzle is obstructed. 10. Pump is faulty. 	<ol style="list-style-type: none"> 1. Pull nozzle backward for high pressure mode. 2. Clear inlet. 3. Provide adequate water flow. 4. Straighten inlet hose, patch leak. 5. Check and clean inlet hose strainer. 6. Provide cooler water supply. 7. Clear blocks in outlet hose. 8. Replace gun. 9. Clean nozzle. 10. Contact Sears service facility.
Detergent fails to mix with spray.	<ol style="list-style-type: none"> 1. Detergent siphoning tube is not submerged. 2. Chemical filter is clogged. 3. Dirty in-line filter. 4. Nozzle is in high pressure mode. 	<ol style="list-style-type: none"> 1. Insert detergent siphoning tube into detergent. 2. Clean or replace filter/detergent siphoning tube. 3. See "Check In-Line Filter" on page 12. 4. Push nozzle forward for low pressure mode.
Engine runs good at no-load but "bogs" when load is added.	Engine speed is too slow.	Move throttle control to FAST position. If engine still "bogs down", contact Sears service facility.
Engine will not start; or starts and runs rough.	<ol style="list-style-type: none"> 1. Dirty air cleaner. 2. Out of gasoline. 3. Stale gasoline. 4. Spark plug wire not connected to spark plug. 5. Bad spark plug. 6. Water in gasoline. 7. Overchoking. 8. Excessively rich fuel mixture. 9. Intake valve stuck open or closed. 10. Engine has lost compression. 	<ol style="list-style-type: none"> 1. Clean or replace air cleaner. 2. Fill fuel tank. 3. Drain gas tank; fill with fresh fuel. 4. Connect wire to spark plug. 5. Replace spark plug. 6. Drain gas tank; fill with fresh fuel. 7. Open choke fully and crank engine. 8. Contact Sears service facility. 9. Contact Sears service facility. 10. Contact Sears service facility.
Engine shuts down during operation.	Out of gasoline.	Fill fuel tank.
Engine lacks power.	Dirty air filter.	Replace air filter.
Engine "hunts" or falters.	Choke is opened too soon.	Move choke to halfway position until engine runs smoothly.

PARTS

CRAFTSMAN 2400 PSI Pressure Washer 580.767302 Main Unit — Exploded View



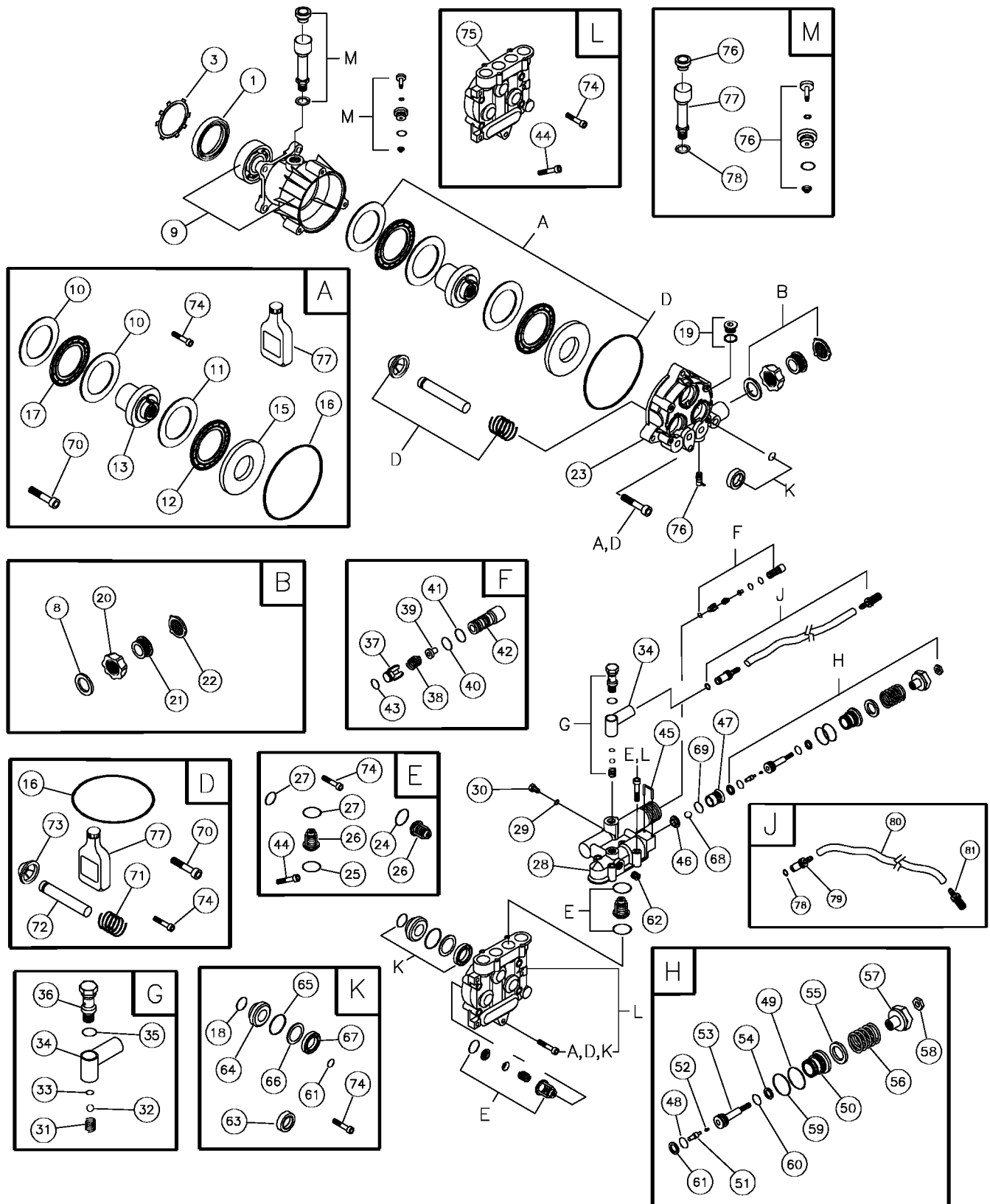
CRAFTSMAN 2400 PSI Pressure Washer 580.767302
Main Unit — Parts List

Item	Part #	Qty.	Description
1	E190506GS	1	BASE
2	CB1982GS	1	BUMPER
3	188194GS	2	BLIND RIVET
5	191413GS	2	VIBE MOUNT, with Washer
6	190537GS	1	CAP, Vinyl, Black
7	B2150GS	1	HOOK, Gun
8	B2516GS	1	CAP, Vinyl, Black
9	B2043GS	7	BOLT, Carriage
10	30809GS	1	GROMMET, Rubber
11	190821GS	1	MANUAL
12	CB1983AGS	1	HANDLE
13	188258GS	1	DECALS/BILLBOARD
14	190862GS	1	KIT, Maintenance
15	99583GS	8	NUT, Flange Lock
16	C190258GS	2	SUPPORT, Handle
17	23139DGS	1	KEY
18	48031BGS	2	CLAMP, Hose Band
19	21783GS	1	VALVE, Thermal Relief
20	B3107GS	1	HOSE, Thermal Drain
21	23707GS	4	CAPSCREW, Socket Head
22	92479GS	4	WASHER, Conical Ribbed
23	B5689GS	1	HOSE, High Pressure
24	189943GS	1	ASSY, Complete Pump (see pages 20-21)
25	67989GS	8	NUT, Flange Serrated
26	21217GS	4	MOUNT, Rubber Shock
27	B1232GS	1	CLAMP, Hose
28	186113GS	1	KIT, Hardware Hose Reel
29	186114GS	1	REEL, Hose
30	191433GS	1	KIT, HNDL, FSTNNG, SRV
31	B4966GS		
or	189311GS	2	ASSY, Tire & Wheel
32	190147GS	2	PUSHNUT
33	B3263GS	1	GUN, High Pressure
34	94804GS	1	NOZZLE, White Replacement
35	97566GS	1	TAG, Nozzle Instructions
36	B3335AGS	1	WAND, Nozzle Hi/Lo
37	97837GS	1	O-RING, Hi Pressure
38	B4224GS	1	SCREEN, Gun Inlet
39	AB3061BGS	1	OIL
900	NSP	1	ENGINE
	B5747GS	1	ASSY, Complete Hose Reel (Includes Items 28 & 29)

Optional Accessories Not Illustrated

7175187GS	Garden Hose Quick Connect
7175197GS	Accessory Quick Connect
7175199GS	Rotating Brush Kit
7175115GS	25' Replacement Hose
7175116GS	O Ring Repair Kit
7174400GS	Turbo Nozzle
7174401GS	25' Extension Hose
7174402GS	Hose Reel
7174403GS	Pump Saver
7174300GS	House Wash Concentrate (makes 4 gallons)
7174301GS	Deck Wash Concentrate (makes 2 gallons)
7174302GS	Vehicle / Boat Wash Concentrate (makes 4 gallons)
7174303GS	Degreaser Concentrate (makes 4 gallons)
7174307GS	Mold/Mildew Concentrate (makes 2 gallons)

CRAFTSMAN 2400 PSI Pressure Washer 580.767302
Pump — Exploded View

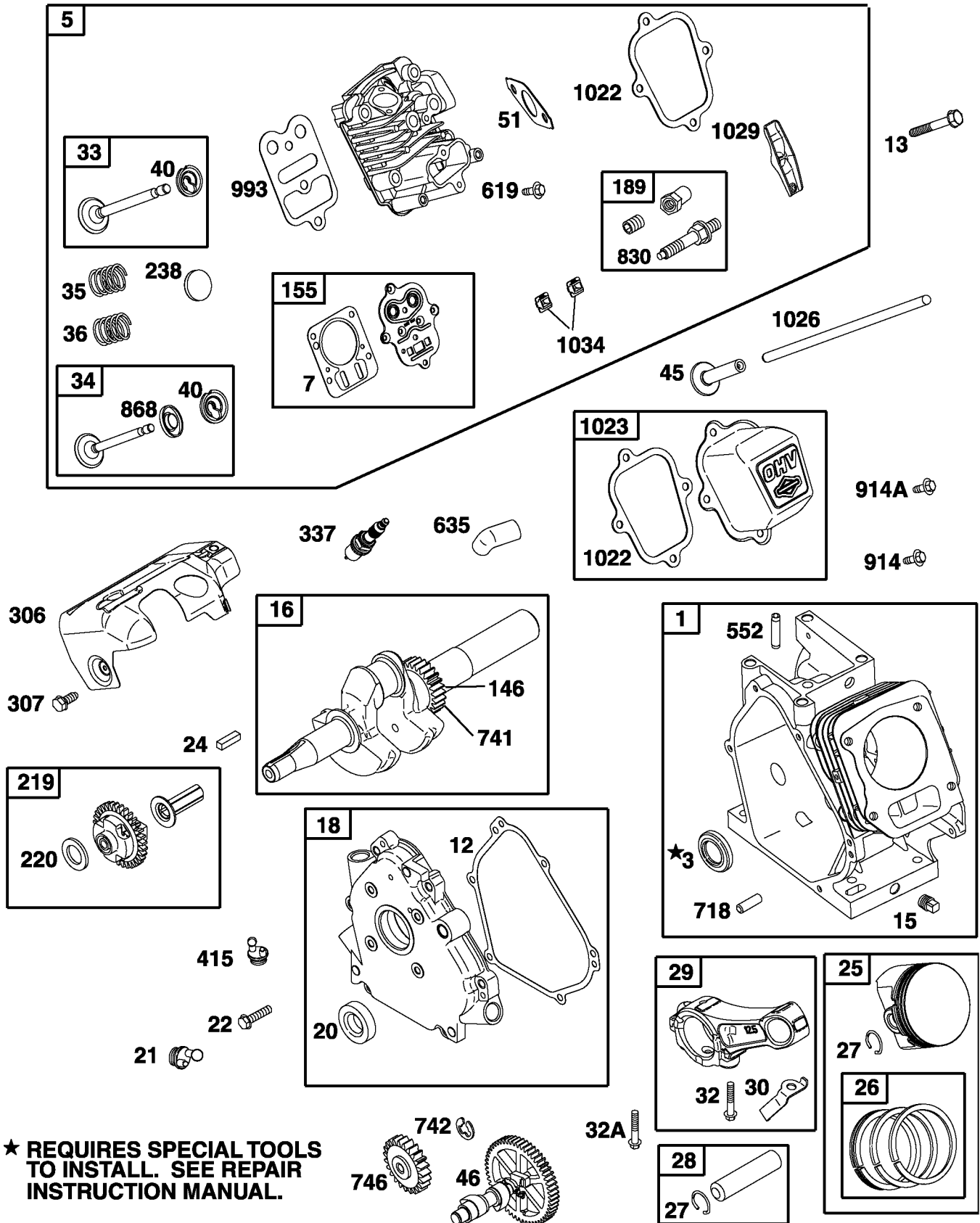


**CRAFTSMAN 2400 PSI Pressure Washer 580.767302
Pump — Parts List**

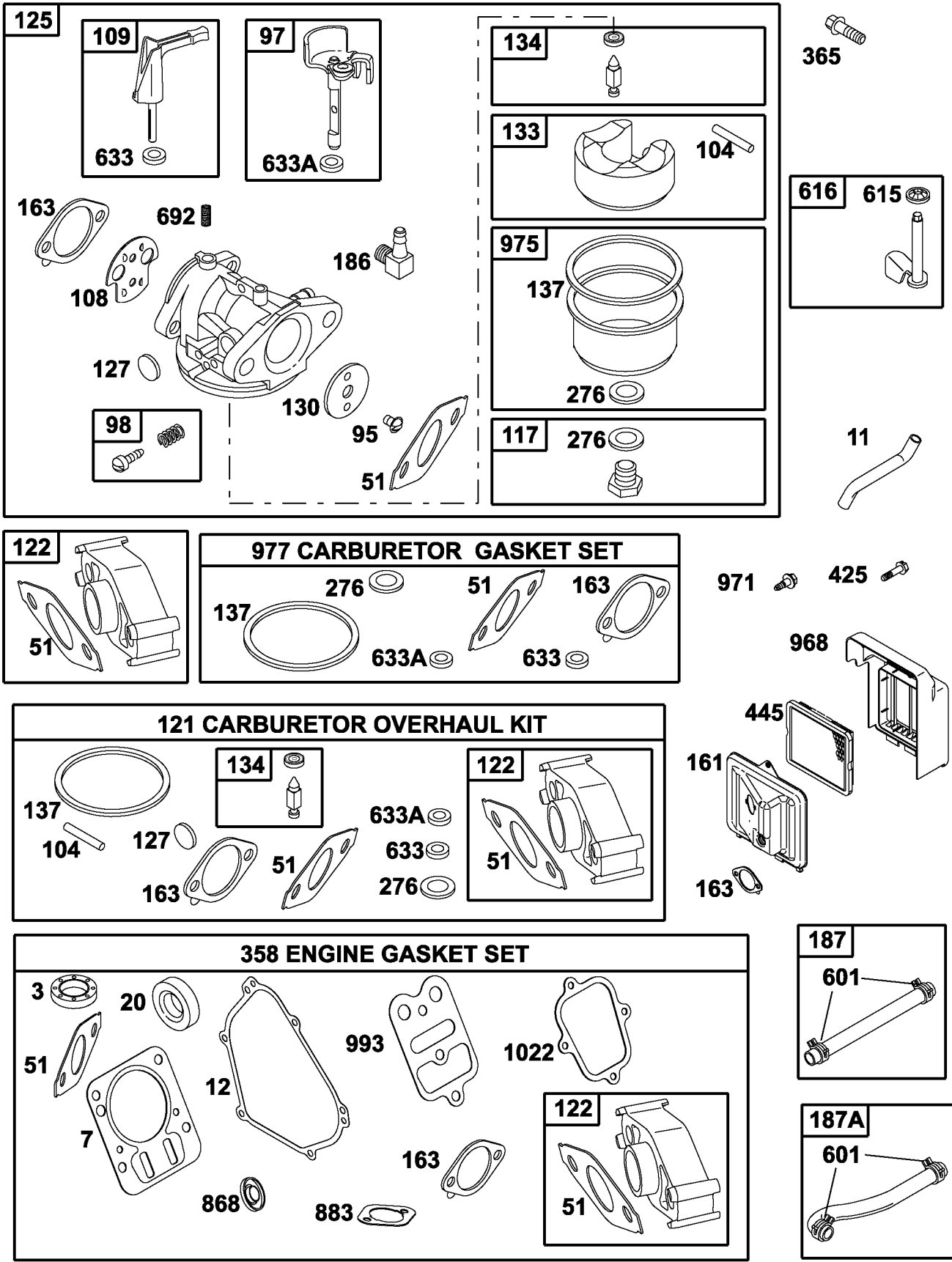
Item	Part #	Qty.	Description	Item	Part #	Qty.	Description
1	190568GS	1	SEAL	F	190592GS	0	KIT, INLET CHECK
3	190569GS	1	RETAINER RING	37	1	VALVE, Non-Return
9	190671GS	1	ENGINE ADAPTER & BEARING	38	1	SPRING
19	190571GS	1	CAP, Oil	39	1	INJECTION NOZZLE
23	190573GS	1	PISTON HOUSING	40	1	O-RING
28	190673GS	1	MANIFOLD	41	1	O-RING
29	190575GS	1	O-RING	42	1	INJECTION NIPPLE
30	190576GS	1	SCREW, Venturi	43	1	O-RING
34	190577GS	1	CONNECTION, Chemical Inlet	G	190593GS	0	KIT, CHEMICAL INJECTION
45	190578GS	1	PIN	31	1	SPRING
46	190579GS	1	VALVE, Seat Plate Brass	32	1	BALL
47	190580GS	1	VALVE, Seat Stainless	33	1	O-RING
62	190581GS	1	CAP	34	1	CONNECTION, Chemical Inlet
68	190582GS	1	BALL, Stainless Steel	35	1	O-RING
69	190584GS	1	O-RING	36	1	SCREW, Fixing
76	21783GS	1	THERMAL RELIEF	H	190594GS	0	KIT, UNLOADER
77	190585GS	1	OIL BOTTLE	48	1	BACK RING
A	190672GS	0	KIT, WOBBLE PLATE BEARING	49	1	O-RING
10	2	FLAT BEARING DISC	50	1	VALVE, By Pass, Brass
11	1	FLAT BEARING DISC	51	1	PISTON
12	1	ROLLER BEARING	52	1	SPRING, Easy Start
13	1	WOBBLE PLATE, Sleeve & Cap	53	1	PISTON, Body
15	1	BEARING DISC	54	1	RING, Back
16	1	O-RING	55	1	SPACER
17	1	ROLLER BEARING	56	1	SPRING, Regulation Press
70	3	SCREW	57	1	NUT, Regulation Press
74	5	SCREW	58	1	NUT
77	1	OIL BOTTLE	59	1	O-RING
B	190670GS	0	KIT, WATER INLET	60	1	O-RING
8	1	WASHER	61	1	O-RING
20	1	GARDEN HOSE w/ FINGER GRIP	61	1	O-RING
21	1	NIPPLE, Garden Hose	J	189971GS	0	KIT, CHEMICAL HOSE
22	1	WASHER w/ FILTER	78	1	O-RING
D	190590GS	0	KIT, PISTON	79	1	TUBE, Inlet Support
16	1	O-RING	80	1	TUBE, Chemical
70	3	SCREW	81	1	FILTER
71	3	SPRING	K	190595GS	0	KIT, SEAL SET
72	3	PISTON, Stainless Steel	18	3	O-RING
73	3	SPRING PLATE	61	1	O-RING
74	5	SCREW	63	3	SEAL
77	1	OIL BOTTLE	64	3	PILOT SPACER, Brass
E	190591GS	0	KIT, CHECK VALVES	65	3	O-RING
24	3	O-RING	66	3	WASHER
25	3	O-RING	67	3	SEAL, H.P
26	6	ASSY., Check Valve	74	5	SCREW
27	4	O-RING	L	190596GS	0	KIT, HEAD BRASS
44	4	SCREW	44	4	SCREW
74	5	SCREW	74	5	SCREW
				75	1	HEAD, Pump
				M	190669GS	0	KIT, BREATHER TUBE
				76	1	VENT VALVE, Oil Cap
				77	1	EXTENSION, Oil
				78	1	WASHER

NOTE: Item letters A - M are service kits and include all parts shown within the box.

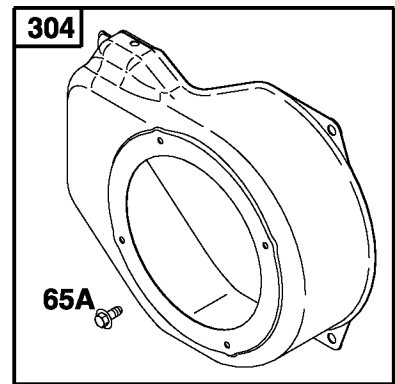
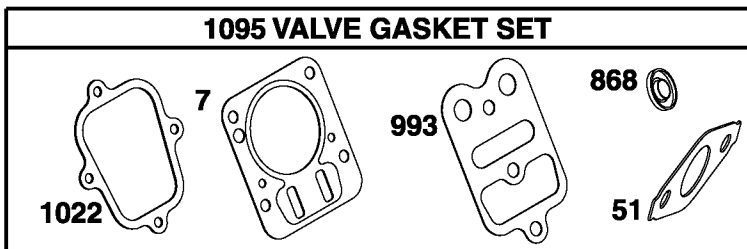
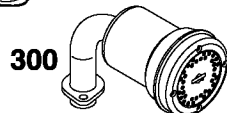
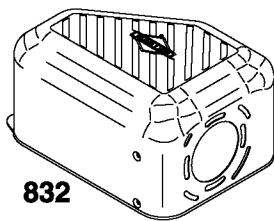
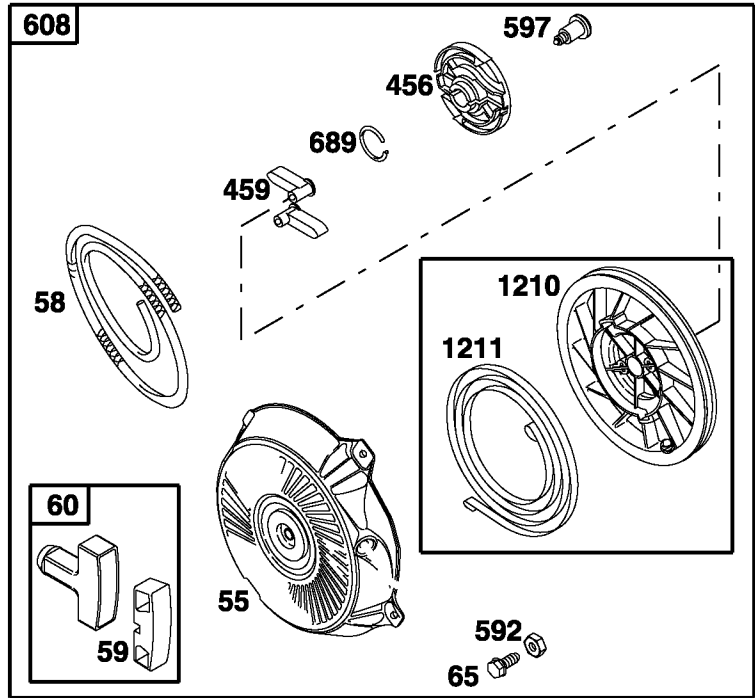
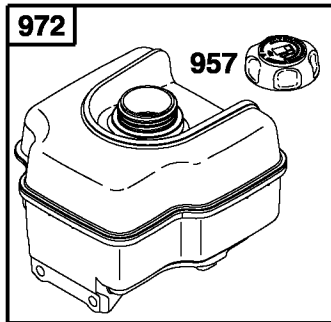
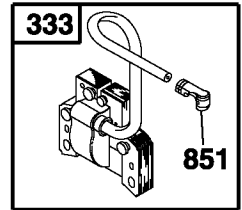
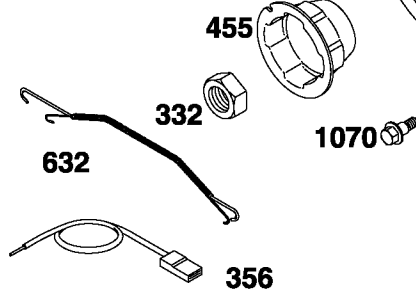
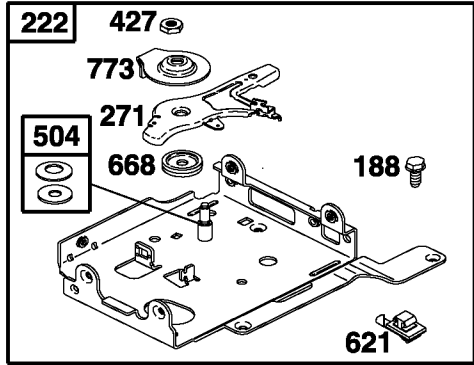
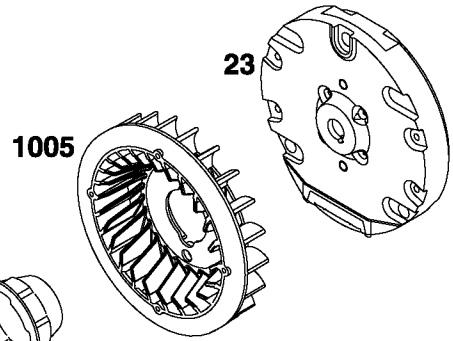
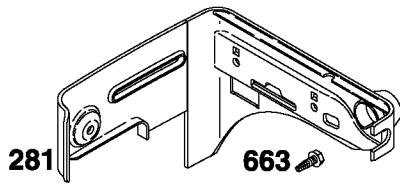
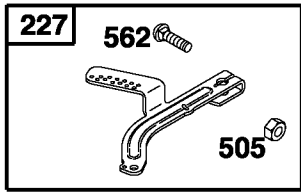
ENGINE, 6.5 HP, Briggs and Stratton, 120412 – Exploded View



ENGINE, 6.5 HP, Briggs and Stratton, 120412 – Exploded View



ENGINE, 6.5 HP, Briggs and Stratton, 120412 – Exploded View



ENGINE, 6.5 HP, Briggs and Stratton, 120412 – Parts List

Item	Part #	Description	Item	Part #	Description
1	693811	Cylinder Assembly	300	693593	Muffler-Exhaust
3	299819	§Oil Seal (Magneto Side)	304	693621	Housing-Blower
5	693643	Cylinder Head	305	690960	Screw (Blower Housing)
7	695166	§+Cylinder Head Gasket	306	693610	Shield-Cylinder
11	692600	Breather Tube	307	690345	Screw (Cylinder Shield)
12	692549	§Crankcase Gasket	332	690662	Nut (Flywheel)
13	691137	Screw (Cylinder Head)	333	692605	Armature-Magneto
15	691686	Oil Drain Plug	334	691061	Screw (Magneto Armature)
16	693887	Crankshaft	337	696202	Sparkplug
18	693204	Cover-Crankcase	356	692390	Stop Wire
20	692550	§Oil Seal (PTO Side)	358	695155	Engine Gasket Set
21	281658	Oil Fill Cap	365	692568	Screw (Carburetor)
22	692551	Screw (Crankcase Cover)	415	693463	Plug
23	692987	Flywheel	425	692583	Screw (Air Cleaner Cover)
24	222698	Flywheel Key	427	694255	Nut (Control Bracket)
25	690021	Piston Assembly (Standard)	445	491588	Filter-A/C Cartridge
	694167	Piston Assembly (.010 O/S)	455	692591	Cup-Flywheel
	694168	Piston Assembly (.020 O/S)	456	692299	Plate-Pawl Friction
	694169	Piston Assembly (.030 O/S)	459	281505	Pawl-Ratchet
26	499631	Ring Set (Standard)	504	694254	Friction Washer Set
	692785	Ring Set (.010 O/S)	505	691251	Nut (Governor Control Lever)
	692786	Ring Set (.020 O/S)	552	692346	Bushing-Governor Crank
	692787	Ring Set (.030 O/S)	562	691112	Bolt (Governor Control Lever)
27	691866	Piston Pin Lock	592	690800	Nut (Rewind Starter)
28	499423	Piston Pin	597	691696	Screw (Pawl Friction Plate)
29	499424	Connecting Rod	601	95162	Clamp-Hose
30	692562	Connecting Rod Dipper	608	693394	Starter-Rewind
32	691664	Screw (Connecting Rod)	613	691665	Screw (Muffler)
32A	695759	Screw (Connecting Rod)	615	692576	Retainer-Governor Shaft
33	499642	Exhaust Valve	616	692547	Crank-Governor
34	499641	Intake Valve	619	691108	Screw (Cylinder Head Plate)
35	691304	Valve Spring (Intake)	621	692310	Switch-Stop
36	691304	Valve Spring (Exhaust)	632	693408	Spring/Link -Mechanical Governor
40	692194	Valve Retainer	633	693867	‡‡Choke/Throttle Shaft Seal
45	690977	Valve Tappet	633A	691321	‡‡Choke/Throttle Shaft Seal
46	693404	Camshaft	635	805529	Boot-Spark Plug
51	692555	§+‡‡Intake Gasket (2 Required)	663	694593	Screw (Control Panel)
55	691422	Rewind Starter Housing	668	694257	Spacer
58	693389	Rope-Starter	689	691855	Spring-Friction
59	805957	Grip Insert	692	690572	Spring-Detent
60	715257	Starter Rope Grip	718	690959	Pin-Locating
65	690837	Screw (Rewind Starter)	741	692565	Gear-Timing
65A	692608	Screw (Rewind Starter)	742	692564	Ring-Retaining
95	691636	Screw (Throttle Valve)	746	692566	Gear-Idler
97	690024	Throttle Shaft	773	694258	Washer (Control Bracket)
98	398185	Idle Speed Kit	830	694544	Stud (Rocker Arm)
104	691242	‡Float Hinge Pin	832	693583	Guard-Muffler
108	691182	Choke Valve	836	690661	Screw (Muffler Guard)
109	690023	Choke Shaft	836A	693624	Screw (Muffler Guard)
117	694176	Main Jet (Standard)	851	493880	Sparkplug Terminal
	690048	Main Jet (High Altitude)	868	692044	§+Seal-Valve
121	695157	Carburetor Overhaul Kit	883	691893	§Gasket-Exhaust
122	693749	‡Carburetor Spacer	914	692198	Screw (Rocker Cover 7/16" Long)
125	694174	Carburetor	914A	692557	Screw (Rocker Cover 3/8" Long)
127	694468	‡Welch Plug	957	694261	Fuel Tank Cap
130	691181	Throttle Valve	958	692586	Fuel Shutoff Valve
133	398187	Carburetor Float	968	692584	Air Cleaner Cover
134	398188	‡Needle Valve	971	690370	Screw (Air Cleaner Base)
137	693981	‡‡Float Bowl Gasket	972	694260	Fuel Tank
146	690979	Timing Key	975	493640	Bowl-Float
155	695882	Cylinder Head Plate	977	695156	Carburetor Gasket Set
161	692579	Air Cleaner Base	993	694088	§+Cylinder Head Plate Gasket
163	272948	§‡‡Air Cleaner Gasket	1005	692592	Fan-Flywheel
186	692317	Hose Connector	1022	691890	§+Gasket-Rocker Cover
187	691050	Fuel Line (Cut to Length)	1023	499924	Cover-Rocker
187A	692601	Fuel Line (Molded)	1026	693517	Rod-Push
188	690877	Screw (Control Bracket)	1029	691230	Rocker Arm
189	694543	Rocker Arm Ball	1034	691343	Guide-Push Rod
190	692127	Screw (Fuel Tank)	1095	695289	Set-Valve Gasket
209	692571	Governor Spring	1070	692590	Screw (Flywheel)
209A	691278	Governor Spring	1210	498144	Pulley/Spring Assembly (Pulley)
219	693578	Governor Gear	1211	498144	Pulley/Spring Assembly (Spring)
220	691724	Washer (Governor Gear)			
222	694253	Control Bracket			
227	692573	Governor Control Lever			
238	691300	Valve Cap			
271	694256	Control Lever			
276	271716	‡‡Sealing Washer			
281	694252	Control Panel			

§Included in Engine Gasket Set, Ref Number 358.

‡ Included in Carburetor Overhaul Kit, Ref Number 121.

‡‡ Included in Carburetor Gasket Set, Ref Number 977.

+ Included in Valve Gasket Set, Ref Number 1033.

EMISSION CONTROL WARRANTY STATEMENT

Your Warranty Rights and Obligations

The California Air Resources Board ("CARB") and Sears Roebuck and Co., USA, are pleased to explain the Emission Control System Warranty on your model year 2000 and later small off-road engine (engine). In California, new engines must be designed, built and equipped to meet the State's stringent anti-smog standards. Sears must warrant the emission control system on your engine for the periods of time listed below provided there has been no abuse, neglect, or improper maintenance of your engine.

Your emission control system includes parts such as the carburetor and the ignition system.

Where a warrantable condition exists, Sears will repair your engine at no cost to you. Expenses covered under warranty include diagnosis, parts, and labor.

Manufacturer's Warranty Coverage

The model year 2000 and later engines are warranted for two years. If any emission related part on your engine (as listed below) is defective, the part will be repaired or replaced by Sears.

Owner's Warranty Responsibilities

As the engine owner, you are responsible for the performance of the required maintenance listed in this owners manual. Sears recommends that you retain all receipts covering maintenance on your engine, but Sears cannot deny warranty solely due for the lack of receipts or for your failure to ensure the performance of all scheduled maintenance.

As the engine owner, you should be aware that Sears may deny you warranty coverage if your engine or a part of it has failed due to abuse, neglect, improper maintenance, unapproved modifications, or the use of parts not made or approved by the original equipment manufacturer.

You are responsible for presenting your engine to a Sears authorized repair center as soon as a problem exists. Warranty repairs should be completed in a reasonable amount of time, not to exceed 30 days.

If you have any questions regarding your warranty rights and responsibilities, you should contact your nearest authorized service center or call Sears at 1-800-473-7247.

Warranty Commencement Date

The warranty period begins on the date the engine is delivered.

Length of Coverage

Sears warrants to the initial owner and each subsequent purchaser that the engine is free from defects in materials and workmanship which cause the failure of a warranted part for a period of two years.

WHAT IS COVERED

Repair or Replacement of Parts

- Repair or replacement of any warranted part will be performed at no charge to the owner at an approved Sears service center.

- If you have any questions regarding your warranty rights and responsibilities, you should contact your nearest authorized service center or call Sears at 1-800-473-7247.

Warranty Period

Any warranted part which is not scheduled for replacement as required maintenance, or which is scheduled only for regular inspection to the effect of "repair or replace as necessary" shall be warranted for 2 years. Any warranted part which is scheduled for replacement as required maintenance shall be warranted for the period of time up to the first scheduled replacement point for that part.

Diagnosis

The owner shall not be charged for diagnostic labor which leads to the determination that the warranted part is defective if the diagnostic work is performed at an approved Sears service center.

Consequential Damages

Sears may be liable for damages to other engine components caused by the failure of a warranted part still under warranty.

WHAT IS NOT COVERED

All failures caused by abuse, neglect, or improper maintenance are not covered.

Add-on or Modified Parts

The use of add-on or modified parts can be grounds for disallowing a warranty claim. Sears is not liable to cover failures of warranted parts caused by the use of add-on or modified parts.

How to File a Claim

If you have any questions regarding your warranty rights and responsibilities, you should contact your nearest authorized service center or call Sears at 1-800-473-7247.

Where to Get Warranty Service

Warranty services or repairs shall be provided at all Sears authorized service centers.

Maintenance, Replacement and Repair of Emission Related Parts

Any Sears approved replacement part used in the performance of any warranty maintenance or repair on emission related parts will be provided without charge to the owner if the part it under warranty.

Emission Control Warranty Parts List

1. Carburetor Assembly
2. Ignition System
 - a. Spark Plug, covered up to maintenance schedule.
 - b. Ignition Module
3. Crankcase Breather Tube
4. Exhaust Manifold

TABLA DE CONTENIDOS

GARANTIA	27	ESPECIFICACIONES	36
INSTRUCCIONES DE SEGURIDAD	27-28	ALMACENAMIENTO	40-41
MONTAJE	29-31	REPARACION DE DAÑOS	42
OPERACION	32-35	GARANTÍA DEL CONTROL DE EMISIONES	43
MANTENIMIENTO	36-39	COMO ORDENAR PARTES	PAGINA POSTERIOR

GARANTIA

GARANTIA LIMITADA DE LA MAQUINA LAVADORA DE PRESION CRAFTSMAN

Durante un año a partir de la fecha de compra, Sears reparará, sin cargo al spray guno, cualquier defecto en material y mano de obra, siempre y cuando esta máquina lavadora de presión Craftsman haya sido mantenida y puesta en funcionamiento de acuerdo a las instrucciones suministradas en el manual del propietario.

Si esta máquina lavadora es usada para fines comerciales, la garantía se aplicará tan solo por 90 días a partir de la fecha de compra. Si esta máquina lavadora de presión es usada para alquiler, la garantía se aplicará tan solo por 30 días después de la fecha de compra.

Esta garantía no cubre:

- Elementos perecederos como bujías o filtros de aire, los cuales se desgastan con el uso normal.
- Reparaciones necesarias debido al abuso o negligencia del operador, incluyendo daños ocasionados por la ausencia de suministro de agua a la bomba o por no mantener el equipo de acuerdo a las instrucciones contenidas en el manual del propietario.

El servicio de garantía se hace efectivo devolviendo la máquina lavadora de presión al centro de servicio o distribuidor Sears mas cercano en los Estados Unidos.


Esta garantía le proporciona derechos legales específicos; usted también puede tener otros derechos, los cuales varían de estado a estado.


Sears, Roebuck and Co., Dept. 817WA, Hoffman Estates, IL 60179


INSTRUCCIONES DE SEGURIDAD


ADVERTENCIA:

El escape del motor de este producto contiene elementos químicos reconocidos en el Estado de California por producir cáncer, defectos de nacimiento u otros daños de tipo reproductivo.

 **¡PRECAUCIÓN!** Cuando transporte, instale, ajuste o haga reparaciones a su máquina lavadora de presión, siempre desconecte el alambre de la bujía y colóquelo donde no pueda entrar en contacto con la bujía.

 **¡PELIGRO!** Los gases del sistema de escape del motor contienen gas de monóxido de carbono **MORTAL**. Si este gas peligroso se inhala en concentraciones suficientes, puede causar pérdida de la consciencia o incluso la muerte. Opere este equipo únicamente al aire libre, donde exista ventilación adecuada.

 **ESTE ES EL SIMBOLO DE ALERTA DE SEGURIDAD. ES USADO PARA INDICARLE SITUACIONES CON PELIGROS POTENCIALES DE LESION PARA EL PERSONAL. SIGA LAS INSTRUCCIONES DE TODOS LOS MENSAJES DE SEGURIDAD QUE APARECEN DESPUES DE ESTE SIMBOLO PARA EVITAR POSIBLES LESIONES O MUERTE.**

 **¡ADVERTENCIA!** La gasolina es altamente **INFLAMABLE** y sus vapores son **EXPLOSIVOS**. No permita que fumen, que existan llamas abiertas, chispas o calor a su alrededor cuando manipule gasolina. Evite regar gasolina sobre un motor caliente. Permita que la unidad se enfríe antes de volver a colocarle combustible. Cumpla con todas las leyes que regulan el almacenamiento y el manejo de gasolina.

Lea este manual minuciosamente y conozca a fondo las partes y el funcionamiento de su máquina lavadora a presión. Conozca sus aplicaciones, sus limitaciones y los peligros involucrados.

- Coloque esta máquina lavadora a presión en áreas alejadas de materiales combustibles, humos o polvo combustibles.
- El equipo de presión está diseñado para ser utilizado **UNICAMENTE** con las partes autorizadas Sears. Si utiliza este equipo con partes que no cumplan con las especificaciones mínimas, el usuario asume todos los riesgos y responsabilidades.

INSTRUCCIONES DE SEGURIDAD

- Algunos químicos o detergentes pueden ser nocivos si se inhalan o ingieren, causando náusea severa, desmayos o envenenamiento. Los elementos nocivos pueden ocasionar daño a la propiedad o lesiones severas.
 - **No** permita en ningún momento que NIÑOS operen la máquina lavadora a presión.
 - Opere el motor únicamente a la velocidad de mando. Hacer funcionar el motor a velocidades excesivas aumenta el riesgo de lesiones personales. **No** juegue con partes que puedan aumentar o disminuir la velocidad de mando.
 - **No** use ropa suelta, joyas o elementos que puedan quedar atrapados en el arranque o en otras partes rotatorias.
 - Antes de poner en marcha la máquina lavadora a presión en clima frío, revise todas las partes del equipo y asegúrese de que no se haya formado hielo sobre ellas.
 - **Nunca** utilice una pistola de rociado que no tenga un seguro para gatillo o protección para gatillo en su lugar y en buenas condiciones.
 - Mantenga conectada la manguera a la máquina o a la pistola de rociado cuando el sistema esté presurizado. Es peligroso desconectar la manguera cuando la unidad está presurizada.
 - **Nunca** deberán ser operadas las unidades con partes rotas o ausentes, o sin la caja o cubiertas de protección.
 - Revise que el sistema de combustible no presente fugas o signos de deterioro, como mangueras desgastadas o porosas, sujetadores flojos o ausentes, tapa o tanque dañados. Corrija todos los defectos antes de operar la máquina lavadora a presión.
 - **No** rocíe líquidos inflamables.
 - Utilice un respirador o máscara siempre que exista la posibilidad de inhalar vapores. Lea todas las instrucciones de la máscara para asegurarse de que le brindará la protección necesaria contra la inhalación de vapores nocivos.
 - **Nunca** apunte la pistola a la gente, animales o plantas. La corriente de agua de alta presión que produce este equipo pueden perforar la piel y sus tejidos profundos, ocasionando lesiones serias y posible amputación.
 - **Nunca** permita que partes del cuerpo entren en contacto con la corriente del fluido. **No** entre en contacto con la corriente del fluido creada por una fuga en la manguera de alta presión.
 - Siempre use protección para los ojos cuando utilice este equipo o cuando esté cerca de donde se esté usando el equipo.
 - El rociado de alta presión puede hacer que partículas pequeñas de pintura u otras partículas salgan disparadas y viajen a altas velocidades.
 - **No** opere la máquina lavadora a presión con un valor de presión superior a su clasificación de presión.
 - **Nunca** mueva la máquina halando la manguera de alta presión. Utilice la manija que viene con la unidad.
 - Siempre asegúrese de que la pistola de rociado, boquillas y accesorios estén conectados correctamente.
 - **No** asegure la pistola de rociado en la posición (open = abierto).
 - El rociado de alta presión puede dañar elementos frágiles, incluyendo el vidrio. **No** apunte la pistola de rociado al vidrio cuando esté en el modo de rociado a chorro.
 - Sostenga firmemente en su mano la manguera de rociado antes de poner en marcha la unidad. De no hacerlo, podrían ocurrir lesiones por el movimiento brusco de la pistola de rociado. **No** abandone la pistola de rociado cuando la máquina esté en funcionamiento.
 - El área de limpieza deberá tener inclinaciones y drenajes adecuados para disminuir la posibilidad de caídas debido a superficies resbalosas.
 - Mantenga el chorro del agua alejado de alambros eléctricos, de lo contrario podrían ocurrir descargas eléctricas fatales.
 - **No** eluda ningún dispositivo de seguridad de esta máquina.
 - El silenciador y el motor se calientan durante el funcionamiento y permanecen calientes inmediatamente después del apagado. Evite el contacto con silenciadores o motores calientes, o podría quemarse severamente.
 - Opere y almacene esta unidad sobre una superficie estable.
 - La manguera de alta presión puede desarrollar fugas debido al desgaste, dobleces, abuso, etc. El agua que sale de una fuga es capaz de inyectar materiales en la piel. Inspeccione la manguera siempre que la vaya a usar. Revise todas las mangueras para ver si presentan cortes, fugas, abrasiones o deformación de la cubierta, daño o movimiento de acoplamientos. Si existe cualquiera de estas condiciones, reemplace la manguera inmediatamente. **Nunca** repare la manguera de alta presión. Reemplacela con una manguera que tenga la misma capacidad de presión máxima de su unidad.
 - El silenciador y el depurador de aire deberán estar instalados y en buenas condiciones antes de operar la máquina lavadora a presión. Estos componentes actúan como apagachispas si el motor presenta contrafuegos.
- En el estado de California es obligatorio, según la ley, el uso de apagachispas (Sección 4442 del Código de Recursos Públicos de California). Otros estados pueden tener leyes similares. Las leyes federales se aplican en tierras federales.
- NOTA:** Si equipa el silenciador con un apagachispas, este deberá ser mantenido en buenas condiciones de trabajo. Usted puede ordenar el apagachispas a través de su distribuidor de servicio autorizado Sears.

MONTAJE

Su máquina lavadora a presión requiere de cierto ensamble y estará lista para ser usada únicamente después de haber depositado el combustible y el aceite recomendado.

Si tiene problemas con el ensamble de su máquina lavadora a presión, llame a la línea de ayuda de la máquina lavadora a presión al 1-800-222-3136.

IMPORTANTE: Cualquier intento de hacer funcionar el motor sin haber depositado el aceite recomendado resultará en falla del mismo.

RETIRE LA MAQUINA LAVADORA A PRESION DE LA CAJA

- Abra la caja y corte dos esquinas opuestas a la manija guía de la parte superior a la inferior de tal forma que el panel pueda ser doblado hacia abajo.
- Retire las partes sueltas, material de relleno y la bolsa de repuestos enviada con la máquina lavadora a presión.
- Retire pistola aspersora, extensión de boquilla y aceite para motor de material de relleno.
- Saque la máquina lavadora a presión de la caja.
- Revise la caja para ver si existen partes sueltas adicionales.

CONTENIDO DE LA CAJA

Revise el contenido de la caja. Si alguna de las partes no está presente o está dañada, llame a la línea de ayuda de la máquina lavadora a presión al 1-800-222-3136.

- La unidad principal
- Carrete de manguera y componentes de montaje
- Manguera de alta presión
- Pistola aspersora
- Extensión de boquilla con boquilla ajustable de Alta/Baja (Hi/Lo) presión
- Manubrio
- Aceite para motor
- Bolsa de accesorios, que incluye:
 - Manual del propietario
 - Equipo limpiador de boquilla
 - Juego de abrazadera
 - Accesorios para adherir el manubrio
 - Tarjeta de la matrícula

Familiarícese con cada parte antes de ensamblar la máquina lavadora a presión. Compare el contenido con la ilustración de la página 32. Si alguna de las partes no está presente o se encuentra dañada, llame a la línea de ayuda de la máquina lavadora a presión al 1-800-222-3136.

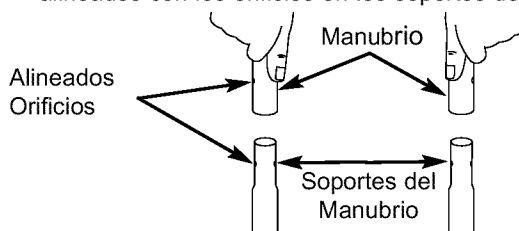
ENSAMBLADO DE SU LAVADORA A PRESIÓN

Su lavadora de presión Craftsman fue ensamblada, en gran medida, en la fábrica. Sin embargo, usted necesitará realizar las siguientes tareas antes de poder operar su lavadora a presión:

- Fijar el manubrio y el pernos "L".
- Sujetar el carrete de la manguera.
- Agregar aceite al compartimiento del motor.
- Añadir combustible al tanque de la gasolina.
- Conectar la manguera de alta presión a la pistola aspersora y a la bomba.
- Conectar el suministro de agua a la bomba.

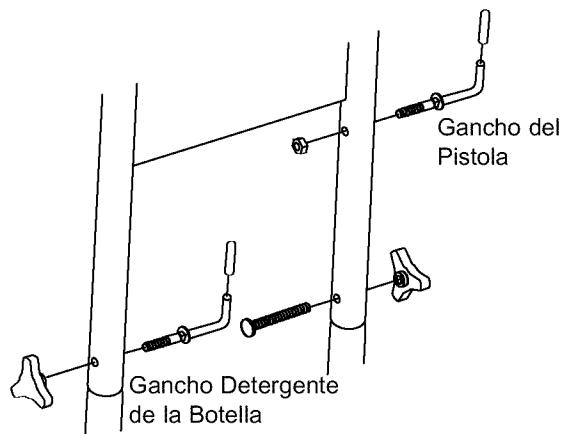
Fijar el Manubrio y el Ganchos

- Coloque el manubrio sobre los soportes del manubrio que ya se encuentran conectados a la unidad principal. Asegúrese de que los orificios en el manubrio estén alineados con los orificios en los soportes del manubrio.



NOTA: Tal vez sea necesario mover los soportes del manubrio de un lado a otro para alinear el manubrio de tal manera que pueda deslizarse sobre los soportes del mismo manubrio.

- Inserte el perno del soporte a través del orificio que se encuentra al lado derecho del manubrio (visto desde la parte posterior de la unidad) y fije la perilla de plástico. Apriete la perilla manualmente.
- Inserte uno de los pernos "L" (gancho del pistola) a través del orificio al lado izquierdo del manubrio (visto desde la parte posterior de la unidad) y fije la perilla de plástico. Apriete la perilla manualmente. Si no instaló, agrega la tapa del vinilo al "L" cerrojo.



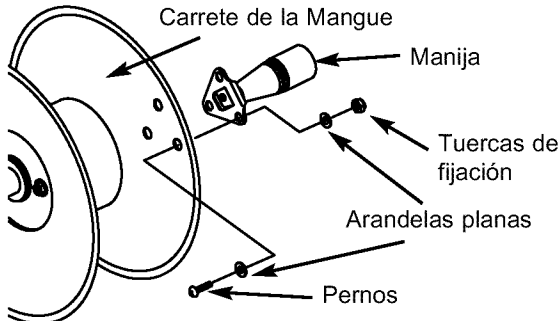
- Inserte el otro "L" perno (gancho detergente de la botella) a través del agujero apenas bajo la cartelera en el derecho de la manija (visto desde la parte posterior de la unidad). Sostenga el gancho en lugar con los alicates y asocie la tuerca de fijación con una llave del 7/16". Si no instaló, agrega la tapa del vinilo al "L" cerrojo.

NOTA: Sea seguro sostener el gancho en lugar con los alicates hasta que firmemente.

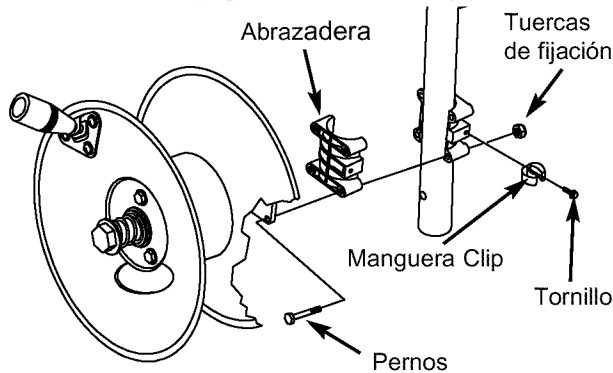
Ensamblar el Carrete de la Manguera

IMPORTANTE: Deberá sacar la manguera del carrete cuando esté operando su lavadora a presión. El carrete únicamente se utiliza para almacenar la unidad.

- Fije el manubrio al carrete con tuercas, rondanas y pernos. Por favor observe que los pernos se insertan con todo y sus cabezas en el carrete de la manguera.



- Sujete el carrete de la manguera al manubrio, tal y como se muestra en la página 32, con tuercas y pernos.



- Conecte el clip de resorte con un tornillo negro que auto-utilizando en el hoyo proporcionado en la abrazadera.

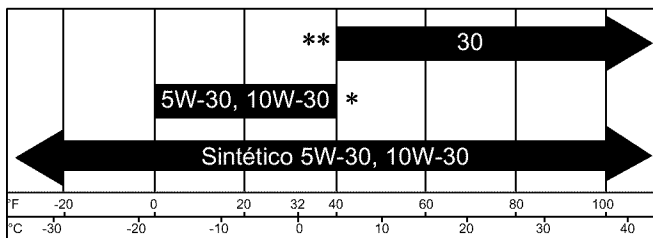
NOTA: Puede haber alguna ferretería incluida con el juego de carrete de manga que no se usa en este modelo.

Agregue Aceite de Motor

IMPORTANTE: Cualquier intento de hacer girar o arrancar el motor antes de que se haya depositado el aceite recomendado puede resultar en falla del motor.

NOTA: Cuando agregue aceite al compartimiento del motor, utilice únicamente aceite detergente de alta calidad, designado con la clasificación API de servicio SF, SG, SH, SJ o superior, clasificado con el peso SAE 30. **No** use aditivos especiales.

- Seleccione una viscosidad de acuerdo a la tabla siguiente:



* El uso de aceites multigrado (5W-30, 10W-30, etc.) en temperaturas mayores a los 40°F (4°C) ocasionará un consumo de aceite mayor al normal. Cuando utilice un aceite multigrado, revise con mayor frecuencia el nivel de aceite del motor.

** Si utiliza aceite SAE 30 en temperaturas inferiores a los 40°F (4°C), ocasionará que el arranque sea más difícil e incluso que se desbiele el motor debido a su inadecuada lubricación interna.

- Coloque la lavadora a presión sobre una superficie plana.
- Limpie el área alrededor del llenado de aceite.
- Remueva la tapa del llenado de aceite.
- Vierta el aceite lentamente. Llene al punto de sobrellenado.
- Coloque en su lugar la tapa del llenado de aceite, apriétela firmemente.

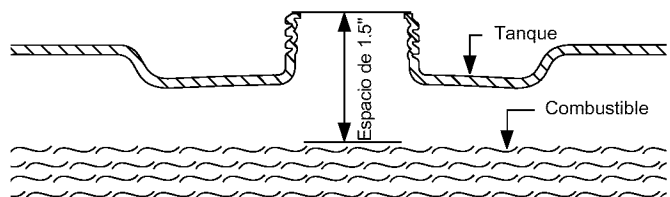
NOTA: Revise el aceite frecuentemente durante el despegue del motor.

Agregue Gasolina

¡ADVERTENCIA! Nunca llene el tanque de combustible en recintos cerrados. **Nunca** llene el tanque de combustible cuando el motor esté funcionando o esté caliente. **No** fume cuando esté llenando el tanque de combustible.

¡ADVERTENCIA! Nunca llene por completo el tanque de combustible. Deje espacio para la expansión del combustible. Limpie cualquier derrame de combustible del motor y del equipo antes de darle arranque a la unidad.

- Use combustible limpio y almacénelo en recipientes cubiertos, limpios y aprobados. Utilice embudos limpios. **Nunca** utilice gasolina "vieja" dejada de la estación anterior o gasolina almacenada por períodos de tiempo prolongados.
- Limpie el área alrededor de la tapa de llenado del combustible, retire la tapa.
- Agregue lentamente gasolina regular "SIN PLOMO" al tanque de combustible. Use un embudo para evitar que se derrame. Llene el tanque lentamente hasta aproximadamente 1.5" por debajo de la parte la cima del cuello del tubo de llenado.

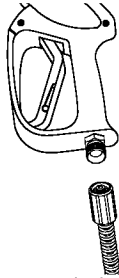


- Instale la tapa del tanque de combustible y limpie la gasolina que se haya derramado.

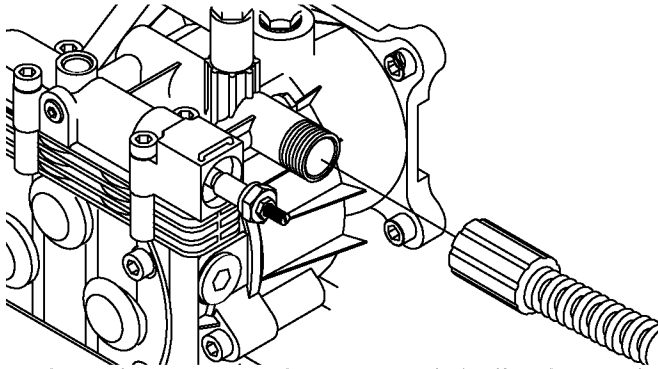
Conecte la Manguera y el Suministro de Agua a la Bomba

IMPORTANTE: Usted deberá armar la extensión para boquillas y conectar todas las mangueras antes de darle arranque al motor. La bomba resultará dañada si arranca el motor sin tener todas las mangueras conectadas y el suministro agua abierto.

- Desenrolle la manguera de alta presión y conecte un extremo de la manguera a la base de la pistola de rociado. Apriete con la mano.

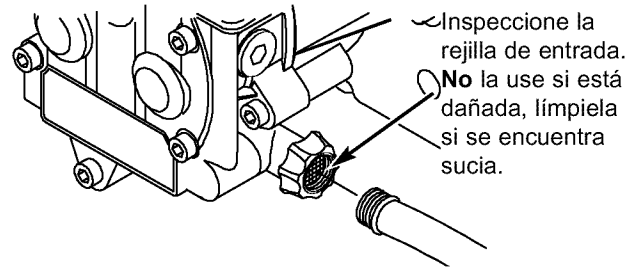


- Conecte el otro extremo de la manguera de alta presión a la salida de alta presión de la bomba. Apriete con la mano.



- Antes de que conecte la manguera de jardín a la entrada de agua, inspeccione el colador de la entrada. Limpie el colador si tiene residuos o solicite su reemplazo si está dañado. **NO HAGA FUNCIONAR LA MÁQUINA LAVADORA A PRESIÓN SI EL COLADOR DE LA ENTRADA ESTÁ DAÑADO. NUNCA AGUA DE CALA DE SIPHON.**

- Conecte la manguera de jardín a la entrada del agua. Apriete con la mano.



¡PRECAUCIÓN! DEBE haber por lo menos diez pies de manguera de jardín libre entre la entrada de agua de la lavadora a presión y cualquier dispositivo de control de flujo de agua, sea el caso de un conector 'Y' o de cualquier otro tipo de válvula. El daño a la lavadora a presión, resultado de la desatención a esta advertencia, no será cubierto por la garantía.

- Abra el suministro del agua (abra la válvula de suministro completamente).

¡PRECAUCIÓN! Antes de darle arranque a la máquina lavadora a presión, asegúrese de usar protección adecuada para los ojos.

LISTA DE REVISION PREVIA AL ARRANQUE DEL MOTOR

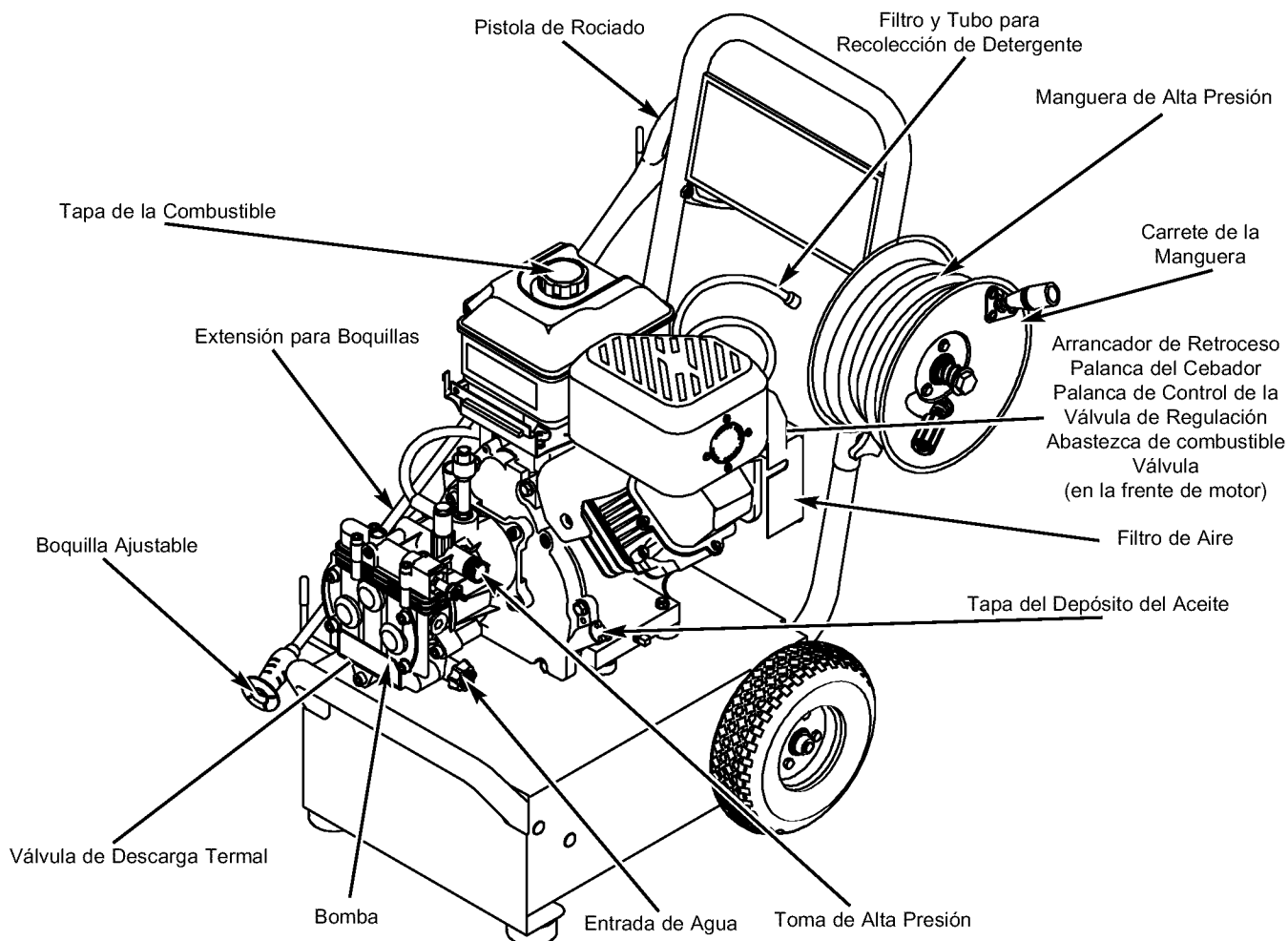
Revise la unidad para asegurarse que ha llevado a cabo los siguientes procedimientos:

- Revise que los sujetadores del carrete de la manguera estén apretados.
- Revise que haya sido depositado aceite y esté al nivel correcto en la caja del cigüeñal del motor.
- Deposite la gasolina adecuada en el tanque del combustible.
- Revise que todas las conexiones de las mangueras (alta presión y suministro de agua) estén apretadas correctamente y que no existan dobleces, cortes o daño de la manguera de alta presión.
- Proporcione el suministro de agua adecuado (que no exceda los 100°F).
- Asegúrese de leer las secciones "Reglas de Seguridad" y "Operación" antes de usar la máquina lavadora a presión.
- Si va a encender la unidad después de haber estado almacenada, consulte la sección "Almacenamiento" en la página 40.

OPERACION

CONOZCA SU MAQUINA LAVADORA DE PRESION

Lea el manual del propietario y las reglas de seguridad antes de poner en marcha su máquina lavadora a presión. Compare las ilustraciones con su máquina lavadora a presión para familiarizarse con las ubicaciones de los diferentes controles y ajustes. Guarde este manual para referencias futuras.



Arrancador de Retroceso – Usado para el arranque del motor.

Bomba – Desarrolla alta presión de agua.

Boquilla Ajustable – Ajusta la presión a alta o baja presión; rociado a chorro o en abanico.

Carrete de la Manguera – Usado para almacenar la manguera cuando la unidad no está siendo usada. La manguera deberá ser desconectada de la unidad y la pistola antes de almacenarla.

Entrada de Agua – Conexión para la manguera de jardín.

Extensión para Boquillas – Conectada a la pistola de rociado para un uso más conveniente.

Filtro de Aire – El elemento de filtro tipo seco limita la cantidad de suciedad y polvo que se introduce en el motor.

Filtro y Tubo para Recolección de Detergente – Usado para succionar detergente de la botella de químicos a la corriente de agua de baja presión.

Manguera de Alta Presión – Conecte un extremo a la pistola de rociado y el otro extremo a la toma de alta presión.

Palanca de Control de la Válvula de Regulación – Coloca el motor en modo de arranque para el arrancador de retroceso y detiene el motor en funcionamiento.

Palanca del Cebador – Usada para arranque de motores fríos.

Pistola de Rociado – Controla la aplicación de agua sobre la superficie de limpieza con el gatillo. Incluye cerrojo de seguridad.

Tapa de la Combustible – Llène el motor con gasolina regular sin contenido de plomo en este punto.

Tapa del Depósito del Aceite – Llène el motor con aceite aquí. Vea la página 30 para las recomendaciones del aceite y las instrucciones de llenado.

Toma de Alta Presión – Conexión para la manguera de alta presión.

Válvula de Descarga Termal - Agua de bomba de las descargas si llega a ser demasiado caliente.

CÓMO USAR SU MÁQUINA LAVADORA A PRESIÓN

Si tiene problemas operando su máquina lavadora a presión, por favor llame a la línea de ayuda para máquinas lavadoras a presión al **1-800-222-3136**.

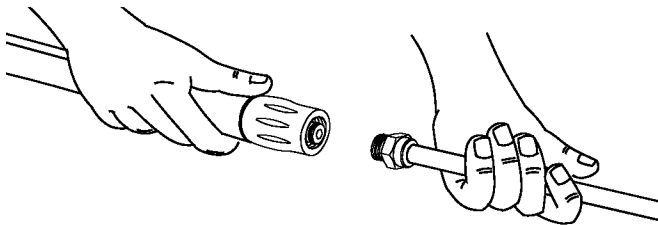
Cómo Darle Arranque a su Máquina Lavadora a Presión

Para darle arranque a su máquina lavadora a presión movida a motor por primera vez, siga estas instrucciones paso a paso. Esta información acerca del arranque inicial también se aplica cuando vaya a darle arranque al motor después de haber dejado de la máquina lavadora a presión fuera de uso por al menos un día.

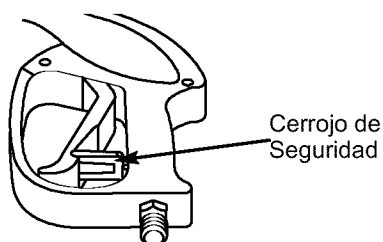
- Coloque la máquina lavadora a presión en un área cercana a una suministro de agua exterior capaz de abastecer agua a un volumen mayor de 2.4 galones por minuto.
- Revise que la manguera de alta presión se encuentre conectada firmemente a la pistola de rociado y a la bomba. Vea "Armado de Su Máquina Lavadora a Presión".
- Asegúrese que la unidad esté nivelada.
- Conecte la manguera de jardín a la entrada del agua. Apriétela con la mano. **Abra el suministro de agua.**

¡PRECAUCIÓN! No haga funcionar la bomba si no tiene el suministro conectado y abierto. Deberá cumplir con esta precaución, de otra forma la bomba resultará dañada.

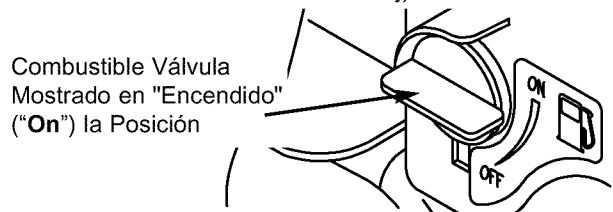
- Presione el disparador en la pistola para purgar de aire e impurezas el sistema de bombeo.
- Acople la boquilla de extensión a la pistola aspersora. Apriétela manualmente.



- Coloque la boquilla en el modo de baja presión (deslice la boquilla hacia adelante) y presione el disparador en la pistola aspersora para liberar la presión provocada por haber abierto (ON) el agua. El agua llenará la pistola mediante un ligero flujo. Continúe sosteniendo el disparador hasta que haya un flujo estable de agua y no quede residuo alguno de aire en el sistema. Suelte entonces el disparador.
- Fije el pestillo de seguridad al disparador de la pistola aspersora.

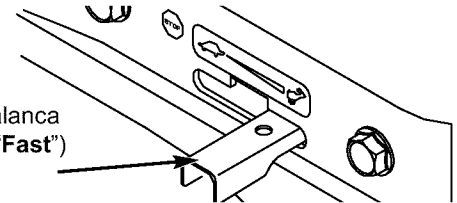


- Gire la válvula de control de combustible a la posición de "Encendido" ("On") (completamente en dirección contraria a las manecillas del reloj).



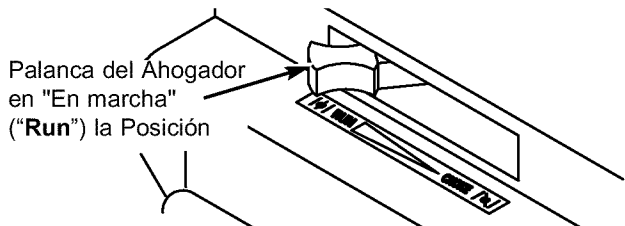
Combustible Válvula
Mostrado en "Encendido"
("On") la Posición

- Mueva el control de la válvula de admisión a la posición "Rápido" ("Fast"), que se distingue con la figura de un conejo.



Estrangule Palanca
en "Rápida" ("Fast")
la Posición

- Mueva la palanca del ahogador a la posición "Ahogado" ("Choke").



Palanca del Ahogador
en "En marcha"
("Run") la Posición

NOTA: En el caso de que el motor esté caliente, asegúrese de que la palanca del ahogador se encuentre en la posición "En marcha" ("Run").

- Sostenga la unidad con su mano izquierda y jale la cuerda de arranque ligeramente con su mano derecha hasta que sienta alguna resistencia; entonces jale con energía.
- Jale la cuerda de arranque lentamente. **No** permita que la cuerda regrese bruscamente en contra del arrancador.
- Cuando arranque el motor, mueva lentamente la palanca del ahogador a la posición "En marcha" ("Run"). Si el motor falla, mueva la palanca a la posición "Ahogado" ("Choke"), y después a la posición "En marcha" ("Run").
- Si el motor no arranca después de 6 tirones, mueva la palanca del ahogador a la posición "Ahogado" ("Choke"), y después a la posición "En marcha" ("Run").

NOTA: Si el principio de culatazo deberá estirar duramente, para poder ser necessary al estrujón el disparador del fusil a alivia la presión interna de bomba.

Cómo Detener su Máquina Lavadora a Presión

- Mueva la palanca de control a la posición "Stop" ("Parado").
- Gire la válvula de control de combustible a la posición "Off" ("Apagado").
- **Apriete el gatillo de la pistola de rociado para eliminar la presión de la manguera.**

NOTA: Observará una pequeña cantidad de agua cuando elimine la presión.

Cómo Usar la Boquilla Ajustable

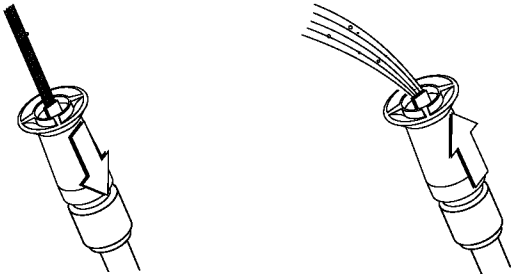
Usted ya debe saber como darle **ARRANQUE** a su máquina lavadora a presión y como **DETENERLA**. La información de esta sección le dirá como ajustar el patrón de rociado y como aplicar detergente u otros químicos de limpieza.



¡PRECAUCIÓN! Nunca ajuste el patrón de rociado cuando esté rociando. Nunca coloque las manos en frente de la boquilla para ajustar el patrón de rociado.

En el extremo de su pistola de rociado existe una manija que puede mover hacia adelante y hacia atrás para ajustar el patrón de rociado para que sea de alta o baja presión.

- Usted también puede ajustar el patrón de rociado girando la boquilla para que esté concentrado en un patrón de chorro o un patrón expandido en abanico.



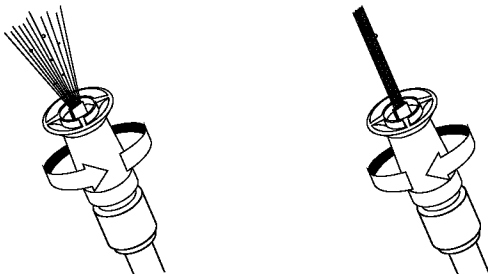
Mueva la boquilla hacia atrás para obtener el modo de alta presión.

Mueva la boquilla hacia adelante para obtener el modo de baja presión y para la aplicación del detergente.

- Apunte la boquilla hacia el suelo, desenganche el cerrojo de seguridad y apriete el gatillo para probar el patrón de rociado.



- El patrón de rociado se ajusta de un patrón angosto a un patrón en abanico girando la boquilla.



Gire la boquilla en sentido contrario a las manecillas del reloj para un patrón de rociado en abanico.

Gire la boquilla en sentido de las manecillas del reloj para un patrón de rociado a chorro.

- Para una limpieza más efectiva, mantenga la boquilla de rociado de 8 a 24 pulgadas de la superficie de limpieza.
- Si coloca la boquilla de rociado demasiado cerca podría dañar la superficie, especialmente cuando esté usando el modo de alta presión.
- No coloque la boquilla a menos de 8 pulgadas cuando esté limpiando llantas.

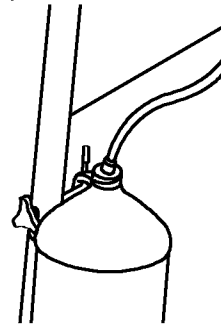
Aplicación del Detergente Usando la Boquilla Ajustable

IMPORTANTE: Utilice químicos diseñados específicamente para máquinas lavadoras a presión. Los detergentes caseros podrían dañar la bomba.

IMPORTANTE: Usted deberá **conectar todas las mangueras** antes de darle arranque al motor. Arrancar el motor sin tener todas las mangueras conectadas y sin el suministro de agua ABIERTO (ON) causará el daño de la bomba.

Para aplicar el detergente, siga los siguientes pasos:

- Revise el uso de la boquilla ajustable.
- Prepare la solución detergente según lo indicado para el trabajo de limpieza.
- Cuelgue el contenedor de la solución de detergente en el gancho más bajo conectado al asidero.



- Coloque el extremo con el filtro del tubo para succión de detergente en el recipiente del detergente.

¡PRECAUCIÓN! Cuando coloque el filtro en el recipiente del detergente, coloque el tubo de manera que no entre en contacto con el silenciador caliente.

- Mueva la boquilla ajustable hacia adelante para obtener el modo de baja presión. El detergente no puede ser aplicado si tiene la boquilla en la posición de alta presión.
- Asegúrese que la manguera de jardín esté conectada a la entrada del agua. Revise que la manguera de alta presión esté conectada a la pistola de rociado y a la bomba. Dele arranque al motor.
- Aplique el detergente sobre la superficie seca, comenzando en la parte inferior y dirigiéndose hacia arriba.
- Permita que el detergente "penetre" de 3 a 5 minutos antes de enjuagar. Vuelva a aplicarlo cuando sea necesario para evitar que la superficie se seque.
- Para lavar, comience en la parte inferior del área que está lavando y dirijase hacia arriba, utilizando movimientos largos, parejos y superpuestos.

Enjuage de la Máquina Lavadora a Presión



¡ADVERTENCIA! Sea extremadamente cuidadoso si debe usar el sistema de limpieza desde una escalera, andamio o cualquier superficie relativamente inestable. La presión de una máquina lavadora en funcionamiento se acumula a medida que usted sube. Cuando oprima el gatillo, la fuerza de reacción del rociado inicial podría hacerlo caer. La fuerza de la alta presión podría sacarlo del dispositivo de elevación donde se encuentra parado si está muy cerca de la superficie de limpieza.

Para Enjuage:

- Mueva la boquilla hacia atrás para obtener el modo de alta presión, oprima el gatillo y espere que deje de salir detergente.

NOTA: También puede detener la circulación del detergente retirando el tubo de succión del recipiente.

- Mantenga la pistola de rociado a una distancia segura del área que planea rociar.
- Aplique un rociado de alta presión en un área pequeña, después revise si la superficie presenta daños. Si no encuentra daños, puede continuar con el trabajo de limpieza.
- Comience en la parte superior del área que va a enjuagar, dirigiéndose hacia abajo con los mismos movimientos superpuestos que utilizó para el lavado y la aplicación del detergente.

Sistema de Enfriamiento Automático (Alivio Térmico)

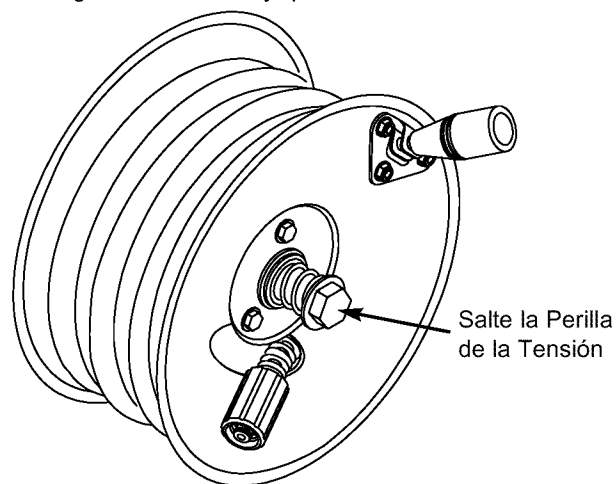
El agua que circula dentro de la bomba puede alcanzar temperaturas entre los 125°-155°F si hace funcionar el motor de su máquina lavadora a presión de 3 a 5 minutos sin oprimir el gatillo de la pistola de rociado. El sistema de enfriamiento automática se activa a esta temperatura y enfría la bomba descargando agua caliente en el piso, evitando así el daño interno de la bomba.

Cómo Usar el Carrete para Manguera

Su máquina lavadora a presión viene equipada con un carrete para manguera diseñado para almacenar la manguera cuando la unidad no está siendo usada. Estas instrucciones son únicamente para almacenar la manguera por poco tiempo. Para un almacenamiento prolongado, consulte la sección Almacenamiento de la página 41.

Después de cada uso:

- Desconecte la manguera de la pistola y la toma de alta presión de la bomba.
- Elimine el agua de la manguera.
- Pase un extremo de la manguera por el orificio del carrete para manguera. Haga girar el carrete para manguera con la manija para enrollarla en el carrete.



- Coloque el otro extremo de la manguera en la presilla ubicada en el costado de su unidad.

IMPORTANTE: No use su máquina lavadora a presión cuando la manguera esté enrollada en el carrete. El carrete para manguera sirve únicamente para su almacenamiento.

La Tensión ajustable del Resorte del Carrete de la Manga

Este carrete de la manga se proporciona con una perilla del ajuste de la tensión de resorte, cuando mostrado arriba.

Aunque el operario pueda aflojar o puede apretar la perilla al acheive la tensión deseada de carrete, el fabricante recomienda que el ser de la perilla completamente mano apriete (a la derecha).

MANTENIMIENTO

RESPONSABILIDADES DEL PROPIETARIO

Siga el programa de mantenimiento según el número de horas o según el calendario, lo que suceda primero. Se requiere de servicio con mayor frecuencia cuando opere la unidad en las condiciones adversas descritas a continuación.

CALENDARIO DE MANTENIMIENTO ANOTE LAS FECHAS CONFORME CUMPLA CON EL SERVICIO NORMAL	INTERVALO DE OPERACIÓN POR HORA			FECHAS DE SERVICIO			
	Antes de Cada Uso	Cada 50 Horas o al Año	Cada 100 Horas o al Año				
LAVADORA A PRESIÓN							
Revise/limpie el filtro de la entrada de agua	X ¹						
Revise la manguera de alta presión	X						
Revise la manguera del detergente	X						
Revise la pistola aspersora y verifique que no haya fugas en el ensamblaje	X						
Purgue la bomba de aire y de contaminantes	X						
Prepare la bomba para almacenarla a menos de 32°F	Vea "Almacenamiento" en la página 40.						
Motor	X						
Verificar el nivel de aceite							
Cambiar el aceite del motor		X ²					
Servicio al filtro de aire			X ³				
Servicio a la bujía			X				
Servicio al sistema de la bujía		X					
Prepar almacenamiento	Si la unidad permanecerá sin uso por más de 30 días.						

- 1 Limpiar si está obstruido. Reemplazar si está perforado o roto.
- 2 Cambiar el aceite después de las primeras (5) horas y después cada 50 horas. Hacer el cambio de aceite con mayor frecuencia cuando trabaje en condiciones de mucha suciedad o polvo.
- 3 Reemplazar más a menudo bajo condiciones de suciedad o polvo.

ESPECIFICACIONES DEL PRODUCTO

Especificaciones de la Máquina Lavadora a Presión

Presión2400 PSI
 Velocidad de flujo2.2 GPM
 Mezcla de químicosUse según instrucciones
 Temperatura del suministro de aguaQue no exceda los 100°F
 Peso que Embarca94 lbs.

Especificaciones del Motor

Caballos de fuerza6.5 HP
 Bujía
 ResistorChampion RC12YC
 Platino de Larga Duración .Champion RC12PYP
 Calibre la separación a: . . .0.020 pulgadas (0.50 mm)
 Capacidad de gasolina3.0 Cuartos
 Aceite
 Por encima de 40°F . . .SAE 30
 0°F - 40°FSAE 5W-30 o 10W-30

RECOMENDACIONES GENERALES

La garantía de la máquina lavadora a presión **No** cubre los elementos que han sido sujetos a abuso o negligencia por parte del operador. Para hacer válida la cobertura total de la garantía, el operador deberá mantener la lavadora de presión tal y como se indica en el manual, incluyendo su adecuado almacenamiento, como se describe en la sección "Almacenamiento" en la página 40.

Algunos ajustes tendrán que hacerse periódicamente para mantener adecuadamente su máquina lavadora a presión.

Todos los servicios y ajustes deberán hacerse por lo menos una vez en cada estación. Siga las instrucciones de la tabla "Programa de Mantenimiento" descrita anteriormente.

NOTA: Una vez al año, usted deberá limpiar o reemplazar la bujía y el filtro de aire. Una bujía nueva y un filtro de aire limpio garantizan una mezcla de combustible-aire adecuada y le ayuda a su motor a funcionar mejor y a tener una vida útil más prolongada.



ANTES DE CADA USO

- Revise el nivel de aceite del motor.
- Revise si existen daños en el colador de la entrada de agua.
- Revise si existen fugas en la manguera de alta presión.
- Revise si existen daños en los filtros de químicos.
- Revise si existen fugas en el conjunto de la extensión para boquillas y pistola.
- Elimine el aire y los contaminantes de la bomba.

MANTENIMIENTO DE LA MAQUINA LAVADORA A PRESION

Revise y Limpie el Colador de Entrada

Examine el colador de entrada de la manguera de jardín. Límpielo si está tapado o replacelo si está roto.

Revise la Manguera de Alta Presión

Las mangueras de alta presión pueden desarrollar fugas debido al desgaste, dobleces o abuso. Revise la manguera antes de cada uso. Revise si existen cortes, fugas, abrasiones, levantamiento de la cubierta, daño o movimiento de los acoplamientos. Si existe cualquiera de estas condiciones, remplace la manguera inmediatamente.



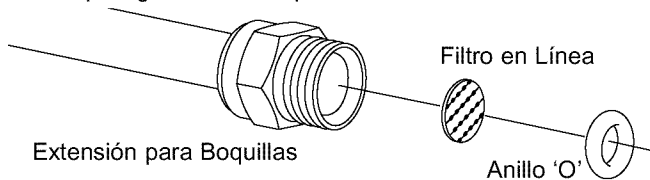
¡PELIGRO! Nunca repare la manguera de alta presión. Replacela con una manguera que cumpla con la capacidad mínima de presión de su máquina lavadora a presión.

Revise la Pistola y la Extensión para Boquillas

Examine la conexión de la manguera a la pistola y cerciorese de que esté en buen estado. Pruebe el gatillo oprimiéndolo y asegurándose de que se devuelve a su sitio cuando lo suelte. Coloque el cerrojo de seguridad y pruebe el gatillo. Usted no debe ser capaz de oprimir el gatillo. Reemplace la pistola inmediatamente si falla cualquiera de estas pruebas.

Revise el Filtro en Línea

Consulte la ilustración y suministre servicio al filtro en línea si se tapa siguiendo estos pasos:



1. Retire la pistola y la extensión para boquillas de la manguera de alta presión. Retire la extensión para boquillas de la pistola y retire el anillo 'O' y el colador de la extensión para boquillas. Lave el interior del colador, pistola y extensión para boquillas con agua limpia para eliminar toda clase de residuos.
2. Si el colador está dañado, encontrará un colador para el filtro en línea y un anillo 'O' de repuesto en el juego de anillos 'O'. Si no está dañado, vuelva a usarlo.

3. Coloque el colador del filtro en línea en el extremo con rosca de la extensión para boquillas. Su dirección no importa. Coloque el colador ejerciendo presión con el borrador de un lápiz hasta que se asiente por completo en el fondo de la abertura. Tenga cuidado de no doblar el colador.
4. Coloque el anillo 'O' en la ranura respectiva. Empuje el anillo 'O' hasta que quede ajustado contra el colador del filtro en línea.
5. Conecte la extensión para boquillas a la pistola de rociado de la manera descrita con anterioridad en este manual.

Elimine el Aire y los Contaminantes de la Bomba

Para retirar el aire de la bomba, siga los siguientes pasos:

- Instale la máquina lavadora a presión como está descrito en la sección de MONTAJE y conecte el suministro de agua.
- Hale el gatillo de la pistola y manténgalo apretado hasta que obtenga una corriente de agua constante.

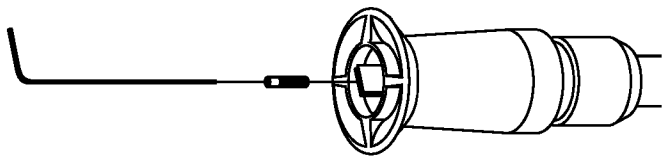
Para retirar los contaminantes de la bomba, siga los siguientes pasos:

- Instale la máquina lavadora a presión como está descrito en la sección de MONTAJE y conecte el suministro de agua.
- Retire la extensión para boquillas de la pistola.
- Ponga en marcha el motor de acuerdo a las instrucciones de la sección OPERACION.
- Hale el gatillo de la pistola y manténgalo apretado.
- Cuando el suministro de agua sea uniforme y constante, enganche el cerrojo de seguridad y vuelva a instalar la extensión para boquillas.

Mantenimiento de las Boquillas

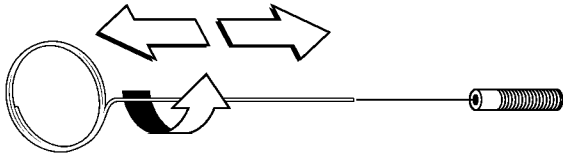
Si siente una sensación pulsante al momento de apretar el gatillo de la pistola rociadora, puede que sea causada por la presión excesiva en la bomba. La causa principal de la presión excesiva en la bomba es cuando la boquilla se encuentra atascada o tapada con materiales extraños, tales como tierra, etc. Para corregir el problema, limpie inmediatamente la boquilla usando las herramientas incluidas con su lavador a presión y siga las instrucciones siguientes:

1. Apague el motor y apague el suministro de agua.
2. Separe la extensión de la boquilla, de la pistola rociadora. Gire la boquilla en dirección de las agujas del reloj, a la posición "stream" (chorro). Usando la llave de Allen de 2mm (5/64) provista, remueva la boquilla del extremo de la extensión de la boquilla.



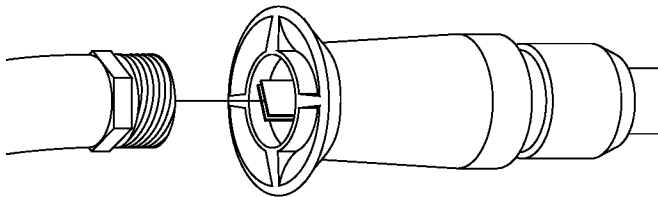
3. Quite el en el filtro de la línea del otro fin de la extensión de boquilla.

- Use el alambre incluido en el juego (o un pequeño sujetapapeles) para liberar cualquier material extraño que esté tapando la boquilla.



Introduzca el alambre dentro de la boquilla y gírelo hacia los lados, hacia adelante y atrás hasta despejar la obstrucción.

- Usando una manguera de jardín, remueva cualquier desecho adicional, poniendo agua en la extensión de la boquilla. Haga ésto de 30 a 60 segundos. Gire la extensión de la boquilla ajustable a "stream spray" (chorro rociador) y mueva la boquilla de "low" (bajo) a "high" (alto), mientras drene el agua.



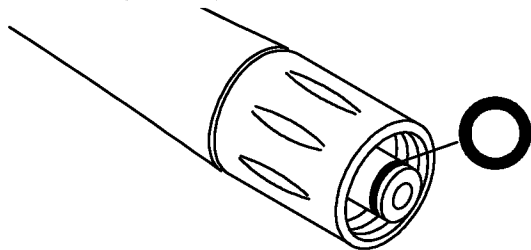
- Instale de nuevo la boquilla y en el filtro en-línea en la extensión. **No** la apriete demasiado con la llave Allen.
- Conecte de nuevo la extensión de la boquilla a la pistola rociadora.
- Conecte de nuevo el suministro de agua, prenda el agua, y encienda el motor.
- Pruebe el lavador a presión al hacer funcionar la boquilla en la posición "high" y "low" o con cada una de las boquillas de Conexiones rápidas que viene con el lavador a presión.

Mantenimiento de los Anillos 'o'

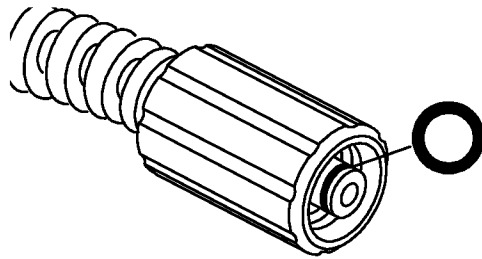
Durante la operación normal de su máquina lavadora a presión los anillos 'o' mantienen apretadas y libres de fugas las conexiones de las mangueras y la pistola. Ellos pueden desgastarse o dañarse con el uso. Su máquina lavadora a presión viene con un Juego de Mantenimiento para anillos 'o', el cual contiene anillos 'o', una arandela de caucho y un colador para la entrada de agua de repuesto.

Las partes del Juego de Anillos 'o' incluyen:

- 1 anillo 'o', rojo, (p/n B2726) para el extremo de la conexión de la pistola de rociado entre la pistola y la extensión para boquillas.

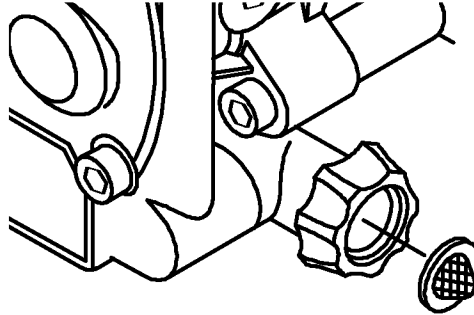


- 1 anillo 'o' amarillo, (p/n B2264) para el extremo de la manguera de alta presión.



NOTA: Los dos anillos 'o' anteriores tienen un tamaño similar. Por favor compárelos y asegúrese de usarlos en el lugar correcto.

- 1 colador para la entrada de agua (p/n B2384) para el conector de la manguera de jardín.



Para retirar un anillo 'o' desgastado o dañado:

- Utilice un destornillador de cabeza plana pequeño, colóquelo por debajo del anillo 'o' y sáquelo haciendo palanca.

MANTENIMIENTO DEL MOTOR

Revisión del Nivel del Aceite

El nivel del aceite deberá ser revisado antes de cada uso o al menos cada 5 horas de operación. Conserve el nivel del aceite.

Cambio de Aceite

Deberá cambiarse el aceite de su unidad después de las primeras 5 horas de uso y cada 50 horas a partir de entonces. Si está utilizando su lavadora a presión bajo condiciones extremadamente severas de mugre, polvo, o de agua demasiado caliente, cambie el aceite más seguido.

Cambie el aceite mientras el motor todavía está caliente después de haber estado en marcha, de la siguiente manera:

- Drene el tanque de combustible haciendo funcionar la lavadora hasta que el tanque esté vacío.
- Desconecte el cable de la bujía y manténgalo alejado de la bujía.
- Quite la tapa del drenaje de aceite y vacíe el aceite en un recipiente apropiado.
- Reinstale en su lugar la tapa del drenaje. Remueva la tapa del llenado de aceite.
- Llene al punto de sobrellenado al nivel de la tapa del llenado de aceite.
- Reinstale en su lugar la tapa del llenado de aceite y apriétela firmemente.

- Limpie cualquier residuo de aceite que haya quedado.
- Vuelva a conectar el cable de la bujía a la bujía.

Servicio del Depurador de Aire

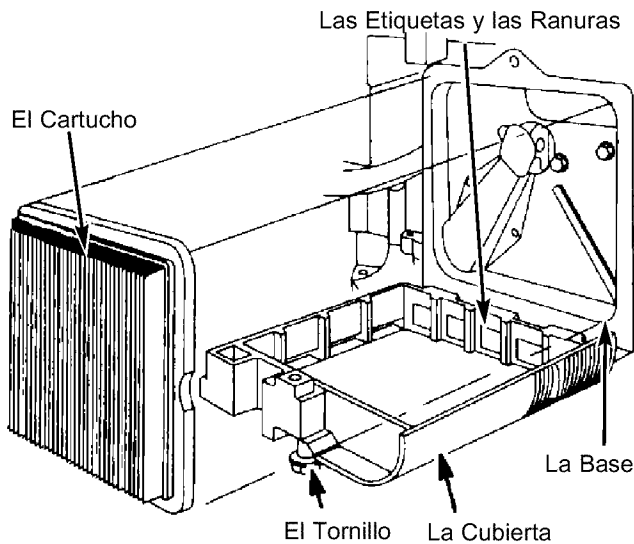
Su motor no funcionará adecuadamente y puede dañarse si usted lo hace funcionar con un depurador de aire sucio.

Suministre servicio al depurador de aire una vez cada 100 horas de operación o una vez por año, lo que suceda primero.

Suministre servicio más frecuentemente si la unidad funciona bajo condiciones de mucha suciedad o polvo. Los repuestos se encuentran disponibles en su centro de servicio local Sears.

Para dar servicio al filtro de aire, siga los pasos que se detallan a continuación:

- Afloje el tornillo y quite la cubierta.
- Remueva cuidadosamente el cartucho.
- Para limpiar el cartucho, golpee ligeramente su costado de papel plegado sobre una superficie firme.
- Reinstale el juego de cartucho nuevo o limpio debajo de la cubierta.



- Inserte las lengüetas de la cubierta en las ranuras que se encuentran en el fondo de la base.
- Coloque la cubierta en su lugar y apriete el tornillo firmemente a la base.

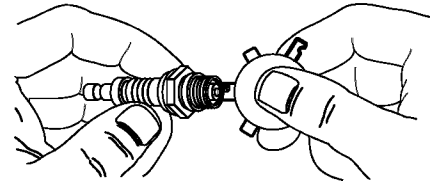
NOTA: Usted puede comprar los elementos del filtro de aire nuevos llamando al **1-800-366-PART**.

Remplace la Bujía

Remplace la bujía anualmente o cada 100 horas de operación.

¡PRECAUCIÓN! Desconecte el alambre de la bujía y manténgalo alejado de la misma.

- Limpie el área alrededor de la bujía y retírela.
- Retire y revise la bujía.
- Para el uso del reemplazo o el bujía uniforme de la chispa de reóstato, el Champion RC12YC o el bujía largo de la chispa de platino de vida, el Champion RC12PYP.
- Revise la separación del electrodo con un calibrador de alambre y ajuste la separación a 0.020 pulgadas (0.50 mm), si es necesario.



- Instale la bujía y apriete la firmemente.

NOTA: Puede adquirir nuevos bujía al número telefónico **1-800-366-PART**.

Carburador

Si usted cree que su carburador necesita ajuste, visite su centro de servicio Sears más cercano. El funcionamiento del motor podría resultar afectado a altitudes por encima de 4000 pies. Para operaciones a elevaciones mayores, póngase en contacto con el centro de servicio Sears más cercano.

Servicio del Apagachispas

El motor de su unidad no viene equipado de fábrica con un apagachispas. En ciertas áreas, es ilegal operar motores que no tengan apagachispas. Revise las leyes y regulaciones locales. Si necesita apagachispas, lo puede comprar en su centro de servicio Sears más cercano. Para obtener el número de parte llame al **1-800-366-PART**.

Deberá suministrarle servicio al apagachispas cada 50 horas para conservarlo en buenas condiciones de funcionamiento.

Si el motor ha estado funcionando, el silenciador estará bastante caliente. Deje que el silenciador se enfríe para poder darle servicio al apagachispas.

- Retire la pantalla del apagachispas para limpieza e inspección.
- Remplace la pantalla si está dañada.

ALMACENAMIENTO

DESPUES DE CADA USO

No deberá haber agua en la unidad por largos períodos de tiempo. Los sedimentos de minerales se pueden depositar en partes de la bomba y "congelar" su funcionamiento. Lleve a cabo estos procedimientos después de cada uso:

- Lave el tubo de succión de detergente colocando el filtro en un balde de agua limpia al mismo tiempo que hace funcionar la máquina lavadora a presión en el modo de baja presión (boquilla ajustable en posición delantera). Lave por un minuto o dos minutos.
- Apague el motor y déjelo enfriar, después retire todas las mangueras.
- Desconecte el alambre de la bujía.
- Saque todos los líquidos de la bomba halando la manija de retroceso aproximadamente 6 veces. Esto deberá evacuar la mayoría del líquido de la bomba.
- Si planea almacenar la unidad por más de 30 días, vea la sección "Almacenamiento Prolongado" en próxima página.
- Revise la manguera de alta presión para ver si presenta daños. Los cortes en la manguera o el desgaste de la misma pueden ocasionar fugas y pérdida de presión. Si encuentra algún daño, reemplace la manguera. **No** intente reparar una manguera dañada. Reemplace la manguera con la parte Sears genuina.
- Desconecte la manguera de la pistola y la toma de alta presión de la bomba. Drene el agua de la manguera, pistola, y extensión de la boquilla y límpiela con un trapo.
- Pase un extremo de la manguera por el orificio del carrete de la manguera. Haga girar el carrete con la manija para enrollar la manguera en el carrete. Coloque el otro extremo de la manguera en la presilla ubicada en el costado de la unidad.
- Vuelva a conectar el alambre a la bujía.
- Almacene la unidad en una área limpia y seca.



¡ADVERTENCIA! Nunca almacene el motor con combustible en el tanque en recintos cerrados o en áreas encerradas con poca ventilación donde los vapores puedan entrar en contacto con llamas abiertas, chispas o luces de piloto.

ALMACENAMIENTO PARA INVIERNO

¡PRECAUCIÓN! Usted deberá proteger su unidad de las temperaturas de congelamiento. Si no lo hace, dañará permanentemente la bomba y la unidad no podrá funcionar. La garantía no cubre el daño de la unidad ocasionado por congelamiento.

Para proteger la unidad de las temperaturas de congelamiento:

- Lave el tubo de succión de detergente colocando el filtro en un balde de agua limpia al mismo tiempo que hace funcionar la máquina lavadora a presión en el modo de baja presión (boquilla ajustable en posición delantera). Lave por un minuto o dos minutos.
- Saque todos los líquidos de la bomba halando la manija de retroceso aproximadamente 6 veces. Esto deberá evacuar la mayoría del líquido de la bomba.
- Utilice un protector de bomba, disponible en Sears con el número de catálogo 74403, para cuidar la bomba. Aquél protege a la unidad contra el congelamiento y lubrica tanto los pistones como los empaques.
- Si el protector de bomba no está disponible, conecte un tramo de 3 pies de manguera de jardín a la entrada de agua. Vierta anticongelante RV (anticongelante sin alcohol) en la manguera. Jale la manija de arranque dos veces. Desconecte después la manguera de 3 pies.

ALMACENAMIENTO PROLONGADO

Si usted no planea usar la máquina lavadora a presión por más de 30 días, deberá preparar el motor para un almacenamiento prolongado.

Es importante evitar la formación de depósitos de goma en las partes esenciales del sistema del combustible tales como carburador, filtro del combustible, manguera o tanque del combustible durante el almacenamiento. También, la experiencia indica que los combustibles con mezclas de alcohol (llamados gasohol, etanol o metanol) pueden atraer la humedad, lo que lleva a la separación y formación de ácidos durante el almacenamiento. La gasolina ácida puede dañar el sistema del combustible de un motor durante el almacenamiento.

Proteja el Sistema de Combustible

Aditivo para Combustible:

Si va a usar aditivo para combustible, llene el tanque de combustible con gasolina fresca. Si el tanque está parcialmente lleno, el aire del tanque va a promover el deterioro del combustible durante el almacenamiento. El motor y el combustible pueden ser almacenados hasta 24 meses con aditivo.

- Deposite el aditivo para combustible siguiendo las instrucciones del fabricante.
- Asegúrese de tener conectado y ABIERTO el suministro de agua a la entrada de la bomba.
- Ponga en funcionamiento el motor en un área descubierta por 10 minutos para asegurarse de que la gasolina tratada ha reemplazado la gasolina no tratada del carburador.

Si no usa aditivo para combustible, retire todo el combustible del tanque y haga funcionar el motor hasta que se detenga por falta de combustible.

Cambio de Aceite

Con el motor todavía caliente, drene el aceite de la caja del cigüeñal. Vuelva a llenarlo con el grado de aceite recomendado. Vea "Cambio de Aceite" en la página 38.

Aceite el Diámetro Interior del Cilindro

- Retire la bujía. Rocíe aproximadamente 1 onza de aceite limpio para motor dentro del cilindro. Cubra el orificio de la bujía con un trapo. Hale la manija de retroceso lentamente para distribuir el aceite. Evite el rociado del orificio de la bujía.
- Instale la bujía. **No** conecte el alambre de la bujía.

Protección de la Bomba

Para proteger la bomba del posible daño ocasionado por la acumulación de restos de partículas minerales o por congelamiento, utilice el protector de bomba (número de ítem Sears 74403).



¡PRECAUCIÓN! Lea y siga todo advierte y las advertencias en el PumpSaver pueden marcar. Siempre protección de ojo de uso cuando se usa PumpSaver.

Al uso PumpSaver, cerciórese la arandela de la presión se apaga y desconecta del agua del suministro. Lea y siga todas instrucciones y las advertencias dadas en el contenedor de PumpSaver.

NOTA: Si el PumpSaver no está disponible, ponga anticongelante RV (que no contenga alcohol) en la bomba, en una sección de 3 pies de la manguera del jardín conectada a un adaptador y halando la manecilla dos veces.

NOTA: PumpSaver goteará de la bomba después que el tratamiento y manchará madera y cemento.

OTROS

- **No** almacene gasolina de una estación a otra.
- Si es posible, almacene su unidad en un recinto cerrado y cúbrala para protegerla del polvo y la suciedad.

ASEGURESE DE VACIAR EL TANQUE DEL COMBUSTIBLE.

IMPORTANTE: NUNCA cubra su máquina lavadora a presión cuando el motor y el área del escape estén calientes.

REPARACION DE DAÑOS

Problema	Causa	Solución
La bomba presenta los siguientes problemas: no produce presión o produce una presión errada, traqueteo, pérdida de presión, bajo volumen de agua.	<ol style="list-style-type: none"> 1. La boquilla está en el modo de baja presión. 2. La entrada de agua está bloqueada. 3. Suministro de agua inadecuado. 4. La manguera de entrada está doblada o presenta fugas. 5. El colador de la manguera de la entrada de agua está tapado. 6. El suministro de agua está por encima de los 100°F. 7. La manguera de alta presión está bloqueada o presenta fugas. 8. La pistola presenta fugas. 9. La boquilla está obstruida. 10. Bomba defectuosa. 	<ol style="list-style-type: none"> 1. Mueva la boquilla hacia atrás para el modo de alta presión. 2. Limpie la entrada. 3. Proporcione flujo de agua adecuado. 4. Estire la manguera de entrada, coloque un parche en la fuga. 5. Revise y limpie el colador de la manguera de entrada. 6. Proporcione suministro de agua más fría. 7. Retire las obstrucciones de la manguera de salida. 8. Reemplace la pistola. 9. Limpie la boquilla. 10. Póngase en contacto con el centro de servicio Sears.
El detergente no se mezcla con el rociado.	<ol style="list-style-type: none"> 1. El tubo de succión de detergente no está sumergido. 2. El filtro de químicos está tapado. 3. Sucio en el filtro de la línea. 4. La boquilla está en el modo de alta presión. 	<ol style="list-style-type: none"> 1. Coloque el tubo de succión de detergente en el detergente. 2. Limpie o reemplace el filtro/tubo de succión de detergente. 3. Vea "Cheque En el Filtro de la Línea" en la página 37. 4. Mueva la boquilla hacia adelante para el modo de baja presión.
El motor funciona bien cuando no tiene cargas, pero funciona "mal" cuando se conecta una carga.	La velocidad del motor es demasiado lenta.	Mueva el control de la válvula de regulación a la posición FAST (RAPIDO). Si el motor continúa funcionando mal, póngase en contacto con el centro de servicio Sears.
El motor no arranca; o arranca y funciona mal.	<ol style="list-style-type: none"> 1. Bajo nivel de aceite. 2. Depurador de aire sucio. 3. Sin gasolina. 4. Gasolina vieja. 5. El alambre de la bujía no está conectado a la bujía. 6. Bujía mala. 7. Agua en la gasolina. 8. Estrangulación excesiva o inundado. 9. Mezcla de combustible demasiado rica. 10. Válvula de entrada trabada en la posición abierta o cerrada. 11. El motor ha perdido compresión. 	<ol style="list-style-type: none"> 1. Llene la caja del cigüeñal hasta el nivel correcto. 2. Limpie o reemplace el depurador de aire. 3. Llene el tanque de combustible. 4. Drene el tanque de gasolina; llénelo con combustible fresco. 5. Conecte el alambre a la bujía. 6. Reemplace la bujía. 7. Drene el tanque de gasolina; llénelo con combustible fresco. 8. Abra el cebador por completo y haga girar el motor. 9. Póngase en contacto con el centro de servicio Sears. 10. Póngase en contacto con el centro de servicio Sears. 11. Póngase en contacto con el centro de servicio Sears.
El motor se apaga durante la operación.	<ol style="list-style-type: none"> 1. Sin gasolina. 2. Bajo nivel de aceite. 	<ol style="list-style-type: none"> 1. Llene el tanque de combustible. 2. Llene la caja del cigüeñal hasta el nivel correcto.
El motor no tiene fuerza.	Filtro de aire sucio.	Reemplace el filtro de aire.
El motor intenta estabilizarse o su funcionamiento no es constante.	Cebador abierto demasiado rápido	Mueva el cebador a la posición intermedia hasta que el motor funcione normalmente.

DECLARACION DE LA GARANTIA DE CONTROL DE EMISIONES

Sus Obligaciones y Derechos de Garantía

La Junta Directiva de Recursos Ambientales de California ("CARB") y Sears Roebuck and Co. USA, tienen el gusto de explicar la Garantía del Sistema de Control de Emisiones de su motor (motor) pequeño año 2000 y modelos posteriores. En California, los motores nuevos deben ser diseñados, fabricados y equipados para cumplir con los estrictos estándares anti-polución del Estado. Sears deberá garantizar el sistema de control de emisiones de su motor por los períodos de tiempo enlistados a continuación, con tal de que no haya habido abuso, negligencia o mantenimiento inadecuado de su motor.

Su sistema de control de emisiones incluye partes como el carburador y el sistema de ignición.

Donde exista una condición que se pueda garantizar, Sears reparará su motor sin costo alguno para usted. Los gastos cubiertos bajo la garantía incluyen diagnóstico, partes y mano de obra.

Cubrimiento de Garantía del Fabricante

Los motores modelo año 2000 y posteriores están garantizados por dos años. Si alguna parte de su motor relacionada con las emisiones (lista a continuación) es defectuosa, ésta será reemplazada o reparada por Sears.

Responsabilidades de Garantía del Propietario

Como propietario del motor, usted es responsable de la realización del mantenimiento requerido enlistado en este manual del propietario. Sears le recomienda conservar todos los recibos que cubran el mantenimiento de su motor. Sin embargo, Sears no puede negar los derechos de garantía tan solo debido a la falta de los recibos o por que no se haya asegurado de realizar todo el mantenimiento programado.

Como propietario del motor, usted debe saber que Sears puede negar el cubrimiento de la garantía si su motor, o una parte del mismo, ha fallado debido a abuso, negligencia, mantenimiento inadecuado, modificaciones no aprobadas, o por el uso de partes que no hayan sido fabricadas o aprobadas por el fabricante original del equipo.

Usted es responsable de llevar su motor a un centro de reparación autorizado Sears tan pronto como aparezca el problema. Las reparaciones de garantía deberán terminarse en un período de tiempo razonable, que no exceda los 30 días.

Si tiene preguntas acerca de sus responsabilidades y derechos de garantía, deberá ponerse en contacto con su centro de servicio autorizado más cercano o llamar a Sears al 1-800-473-7247.

Fecha de Inicio de la Garantía

El período de la garantía comienza en la fecha de entrega del motor.

Duración del Cubrimiento

Sears garantiza al propietario inicial y a cada comprador subsecuente, que el motor está libre de defectos en materiales y mano de obra que puedan causar falla de la parte garantizada por un período de dos años.

QUE ESTA CUBIERTO

Reparación o Reemplazo de Partes

- La reparación o el reemplazo de cualquier parte garantizada se realizará sin ningún costo para el propietario en un centro de servicio aprobado Sears.

- Si tiene preguntas acerca de sus responsabilidades y derechos de garantía, deberá ponerse en contacto con su centro de servicio autorizado más cercano o llamar a Sears al 1-800-473-7247.

Período de Garantía

Cualquier parte garantizada que no haya sido programada para reemplazo como mantenimiento requerido, o que esté programada únicamente para inspección bajo la condición de "repare o reemplace cuando sea necesario", será garantizada por 2 años. Cualquier parte garantizada que esté programada para reemplazo según el mantenimiento requerido será garantizada por el período de tiempo hasta su primer reemplazo programado.

Diagnóstico

No se le cobrará al propietario los costos del trabajo diagnóstico que lleve a la conclusión de que la parte garantizada es defectuosa, si dicho trabajo diagnóstico es hecho en un centro de servicio Sears aprobado.

Daños Consecuenciales

Sears puede ser responsable por daños a otros componentes del motor causados por la falla de una parte garantizada que aún está bajo garantía.

QUE NO ESTA CUBIERTO

No serán cubiertas las fallas causadas por abuso, negligencia o mantenimiento inadecuado.

Partes Agregadas o Modificadas

El uso de partes agregadas o modificadas puede ser motivo suficiente para negar reclamos bajo garantía. Sears no es responsable de cubrir fallas de partes garantizadas causadas por el uso de partes agregadas o modificadas.

Cómo Presentar un Reclamo

Si tiene preguntas acerca de sus responsabilidades y derechos de garantía, deberá ponerse en contacto con su centro de servicio autorizado más cercano o llamar a Sears al 1-800-473-7247.

Donde se Obtiene el Servicio de Garantía

Las reparaciones o servicios de garantía serán proporcionados en todos los centros de servicio autorizados Sears.

Mantenimiento, Reemplazo y Reparación de Partes Relacionadas con Emisiones

Cualquier repuesto aprobado por Sears usado en la realización de cualquier mantenimiento o reparación de garantía en partes relacionadas con las emisiones, será suministrado sin costo alguno al propietario si la parte está bajo garantía.

Lista de Partes en Garantía del Control de Emisiones

1. Conjunto del carburador
2. Sistema de ignición
 - a. Bujía, cubierta hasta el programa de mantenimiento.
 - b. Módulo de ignición
3. Tubo del respiradero de la caja del cigüeñal
4. Múltiple de escape

For in-home major brand repair service:

Call 24 hours a day, 7 days a week

1-800-4-MY-HOMESM (1-800-469-4663)

Para pedir servicio de reparación a domicilio - 1-800-676-5811

In Canada for all your service and parts needs call - **1-800-665-4455**
Au Canada por tout le service ou les pièces

For the repair or replacement parts you need:

Call 7 am - 7 pm, 7 days a week

1-800-366-PART (1-800-366-7278)

Para ordenar piezas con entrega a domicilio - 1-800-659-7084

For the location of a Sears Parts and Repair Center in your area:

Call 24 hours a day, 7 days a week

1-800-488-1222

**For information on purchasing a Sears Maintenance Agreement
or to inquire about an existing Agreement:**

Call 9 am - 5 pm, Monday - Saturday

1-800-827-6655



The Service Side of SearsSM