

VEVOR

Affordable. Reliable. Home Improvement.

METAL DOOR AWNING

USER MANUAL

MODEL:QL-60INCH

Technical Support and E-Warranty Certificate

www.vevor.com/support

VEVOR

Affordable. Reliable. Home Improvement.

METAL DOOR AWNING

MODEL:QL-60INCH



This is the original instruction, please read all manual instructions carefully before operating. VEVOR reserves a clear interpretation of our user manual. The appearance of the product shall be subject to the product you received. Please forgive us that we won't inform you again if there are any technology or software updates on our product.

SAFETY INSTRUCTIONS

WARNING:

Read this material before using this product. Failure to do so can result in serious injury.

Assembly precautions

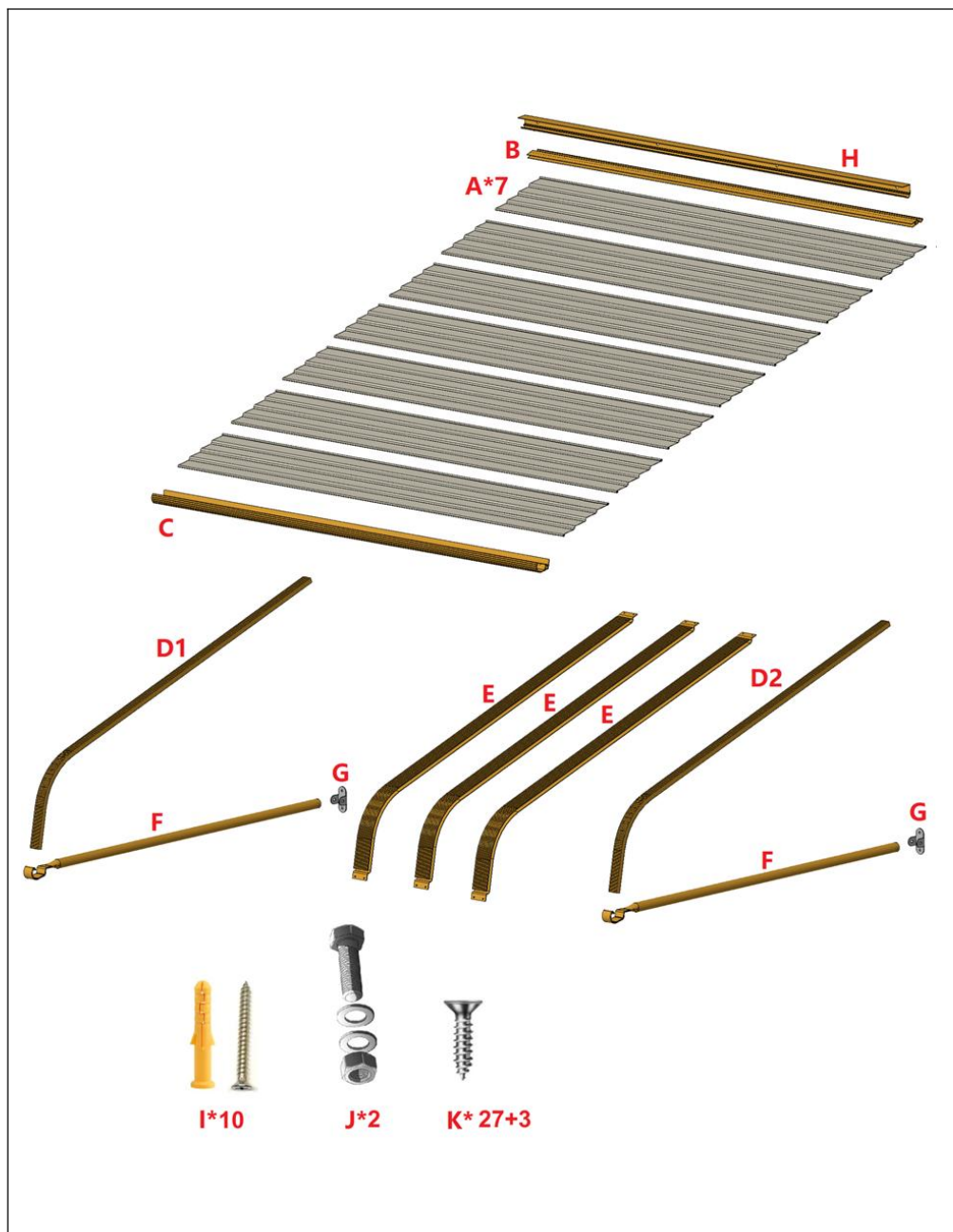
1. Assemble only according to these instructions. Improper assembly can create hazards.
2. Wear ANSI-approved safety goggles and heavy-duty work gloves during assembly.
3. Keep the assembly area clean and well-lit.
4. Keep bystanders out of the area during assembly.
5. Do not assemble if tired or when under the influence of alcohol, drugs or medication.
6. The product capabilities apply to properly and completely assembled products only.
7. Assemble on a flat, level, hard and smooth surface capable of safely supporting the Metal Door Awning.
8. For additional information regarding the parts listed in the following pages, please refer to the Assembly Diagram of this manual. Unwrap and separate all parts in a clean work area.




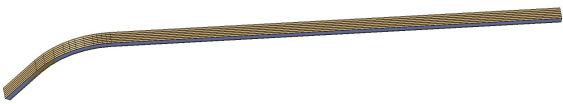
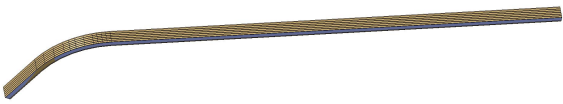


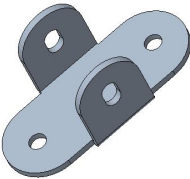



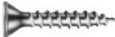
Use precautions

1. DO NOT SIT OR STAND ON THIS ITEM.
2. This product is not a toy. Do not allow children to play with or near this item.
3. Do not exceed specified weight capacities.
4. Use only on a flat, level, hard, and smooth surface that can safely support a fully loaded Metal Door Awning.
5. Use as intended only.
6. Do not use if parts are loose or damaged.
7. Spare parts such as screws are available.

SAVE THIS MANUAL

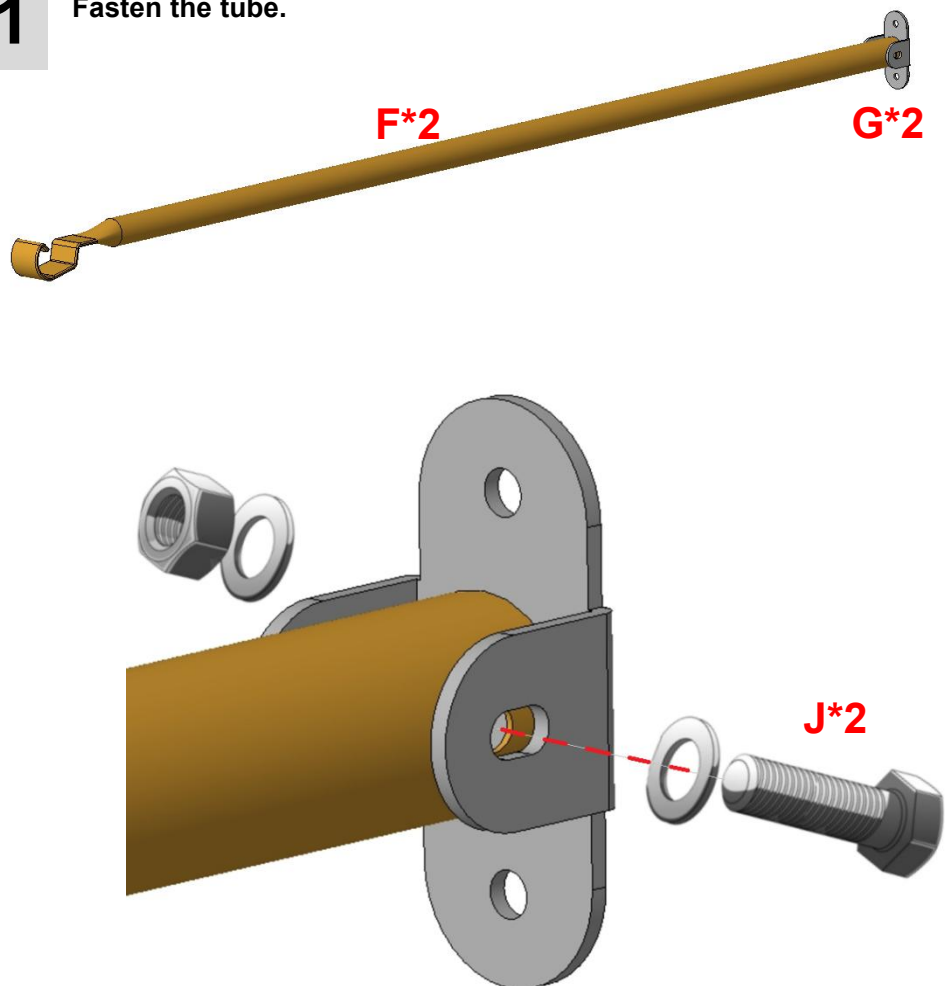
PARTS LIST



Serial number	Quantity	Part picture
A	7	
B	1	
C	1	
D1	1	
D1	1	
E	3	
F	2	
G	2	
H	1	
I	10	
J	2	
K	27+3	

ASSEMBLY STEP

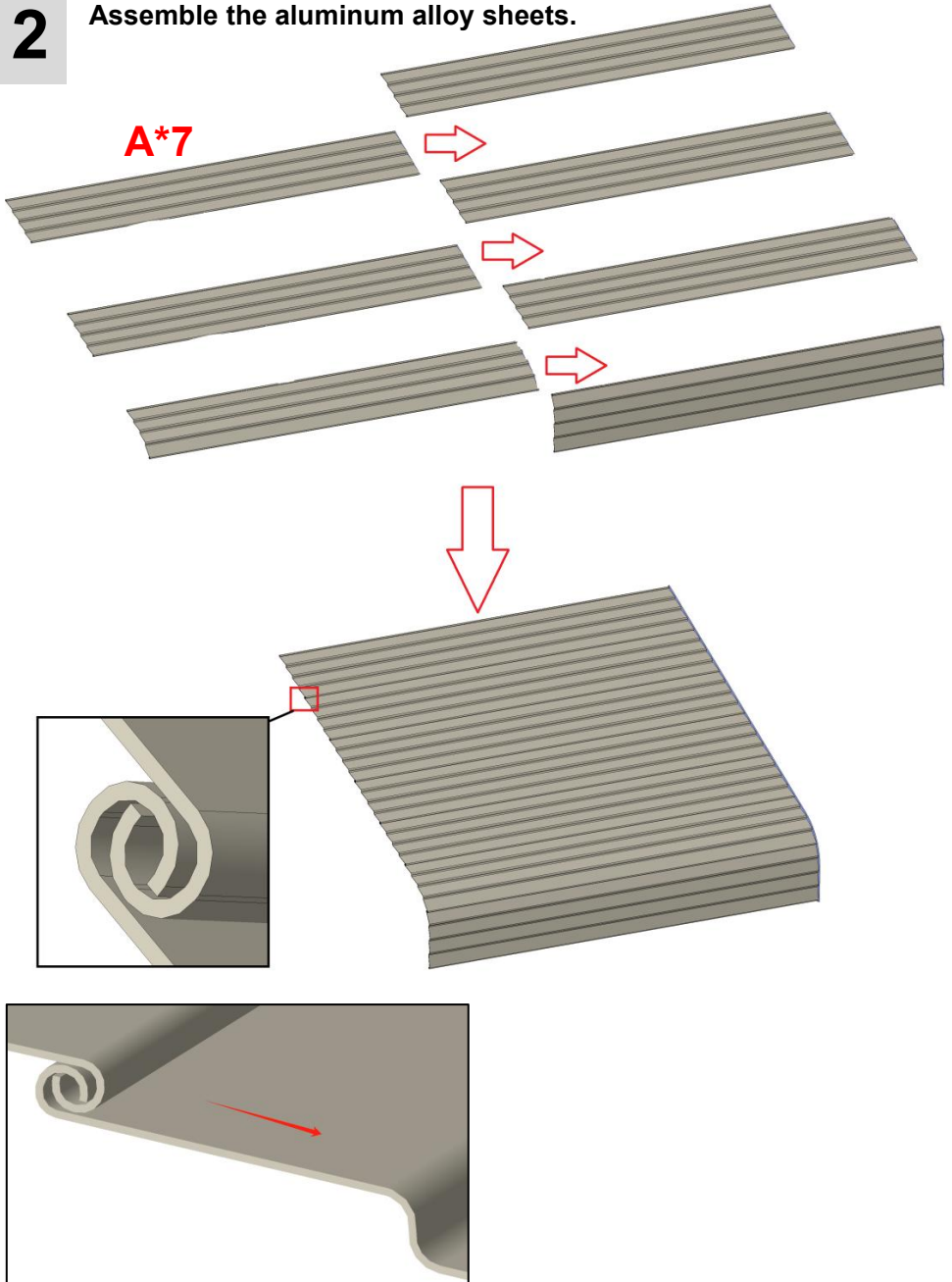
1 Fasten the tube.



Use screw(J*2) to fasten the tube(F*2) and the fixing part(G*2) together.

2

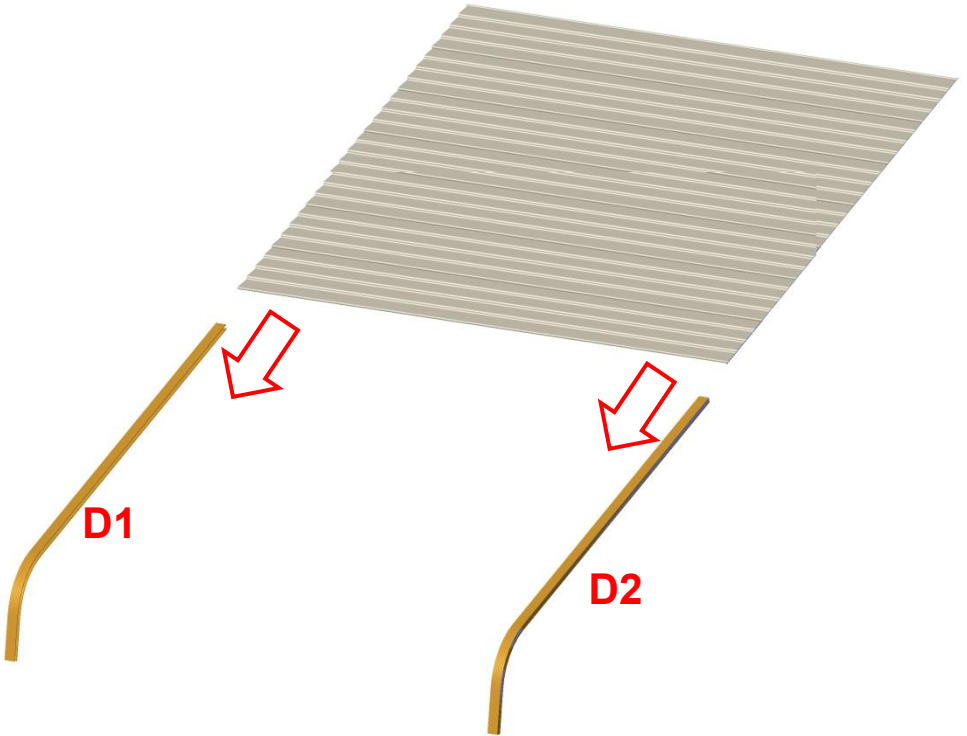
Assemble the aluminum alloy sheets.



Insert the aluminum alloy sheets(A*7) into each other in the direction of the arrow.

3

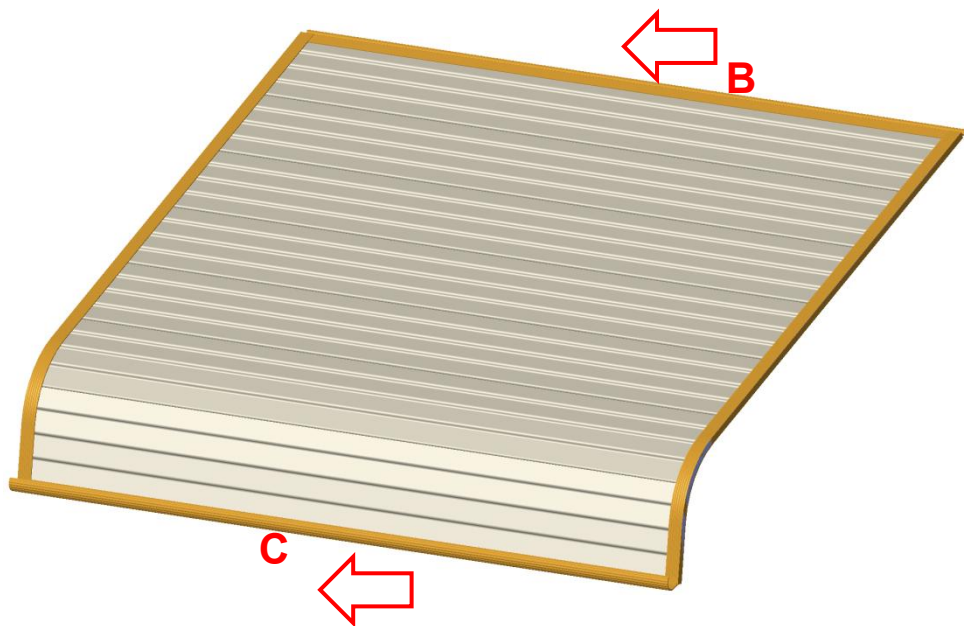
Assemble the aluminum alloy sheets.



Insert the aluminum alloy sheet(A) into D1 and D2 in the direction of the arrow.

4-1

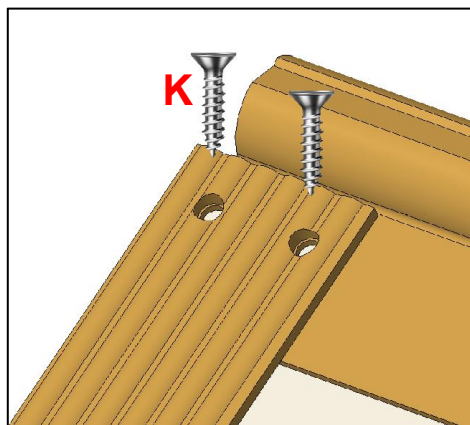
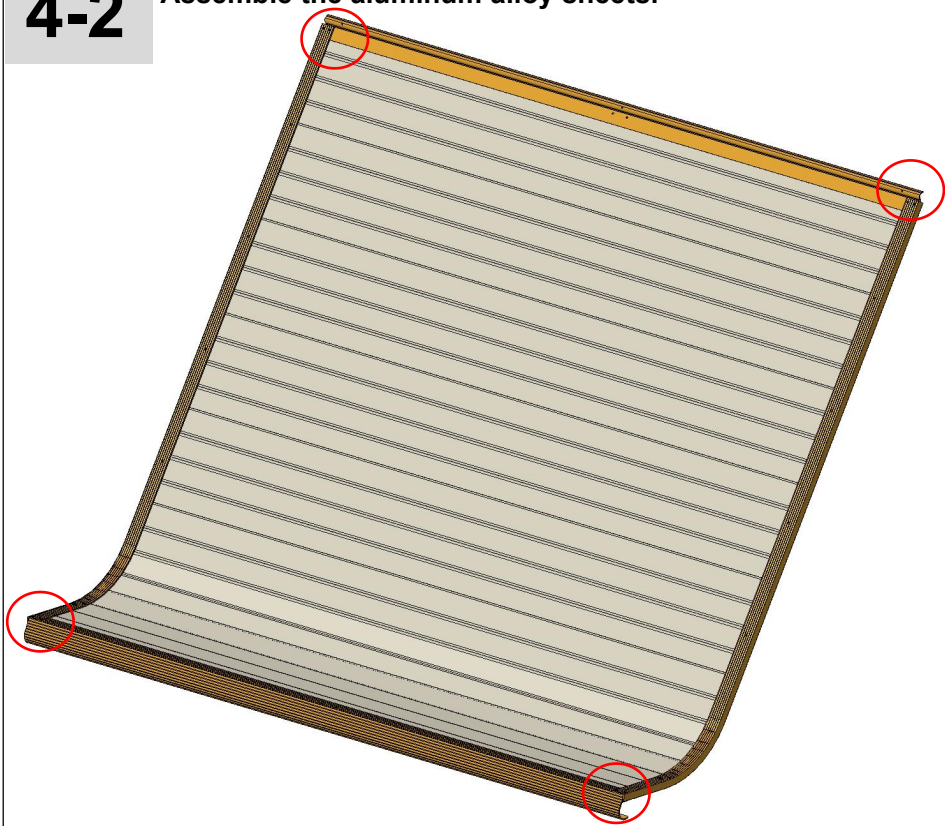
Assemble the aluminum alloy sheets.



Insert parts B and C into the aluminum alloy sheet(A).

4-2

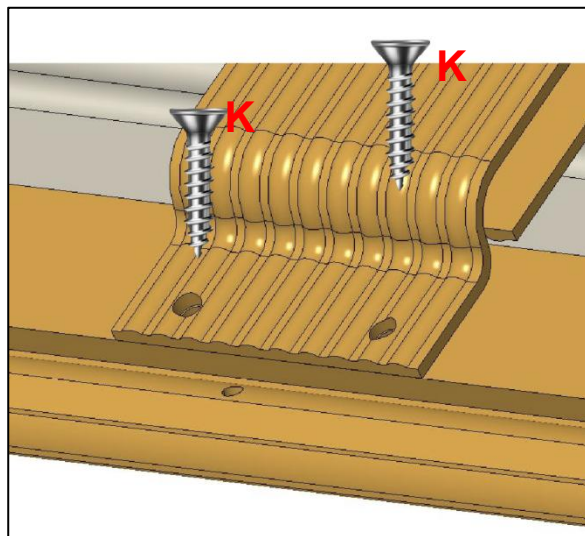
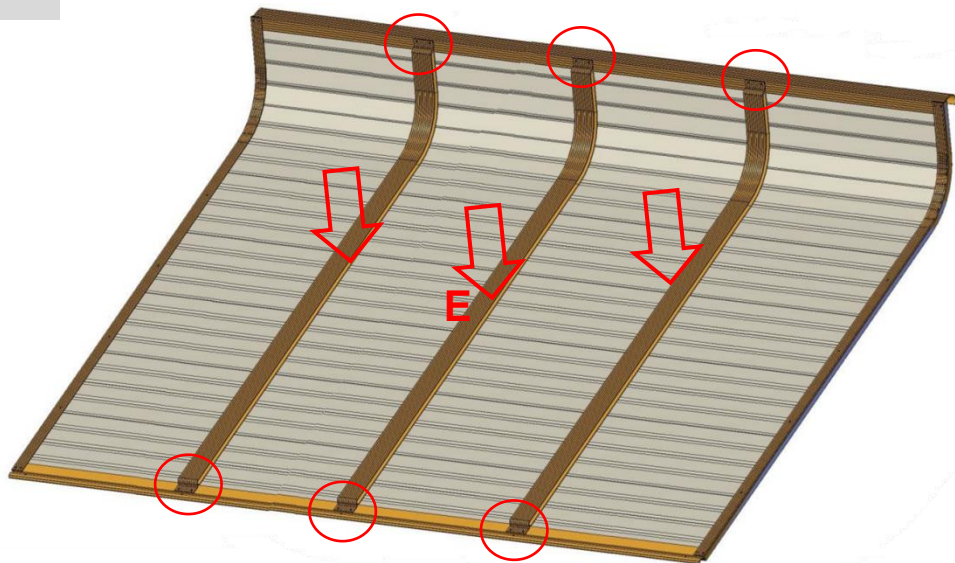
Assemble the aluminum alloy sheets.



1. Turn the whole product over; 2. Fix it with screws(K*8).

5

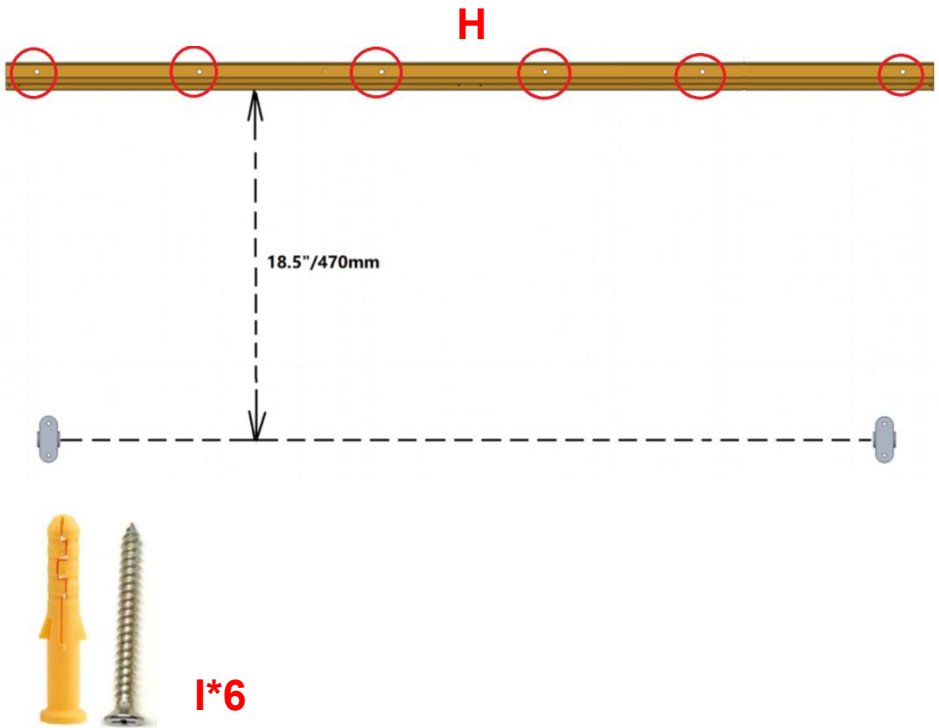
Insert the aluminum alloy sheets.



Install part E in the middle position of the aluminum alloy sheet and fix it with screws(K*12).

6

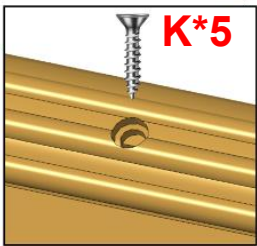
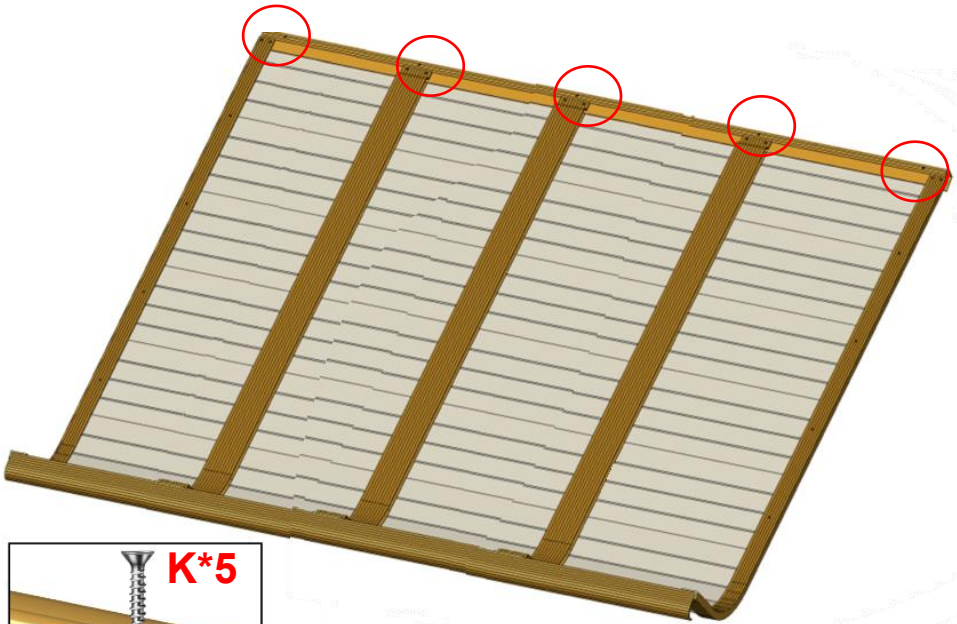
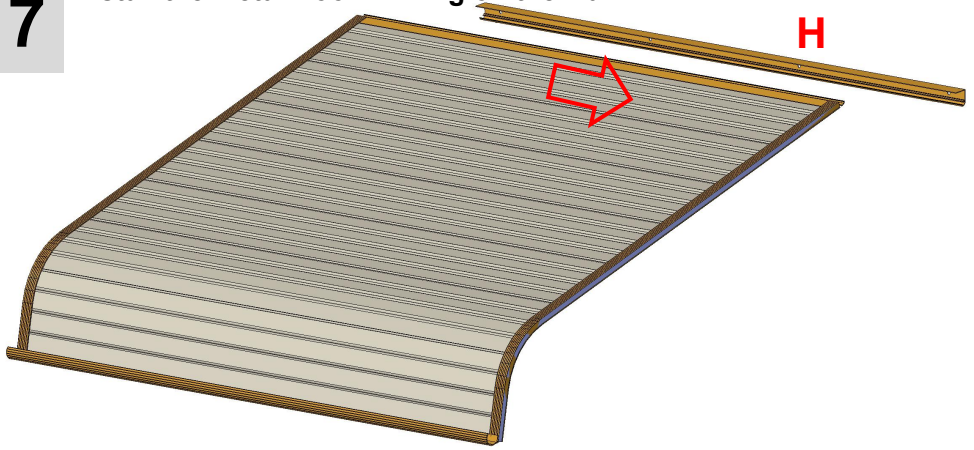
Drill holes in the wall.



First, mark the positioning holes on the wall for part H according to the above - recommended dimensions. Then, drill holes in the wall using a $\varnothing 6\sim\varnothing 8\text{mm}$ drill bit. Next, insert plastic plugs into the holes. Finally, install part H on the wall using wall - floor nails(I*6).

7

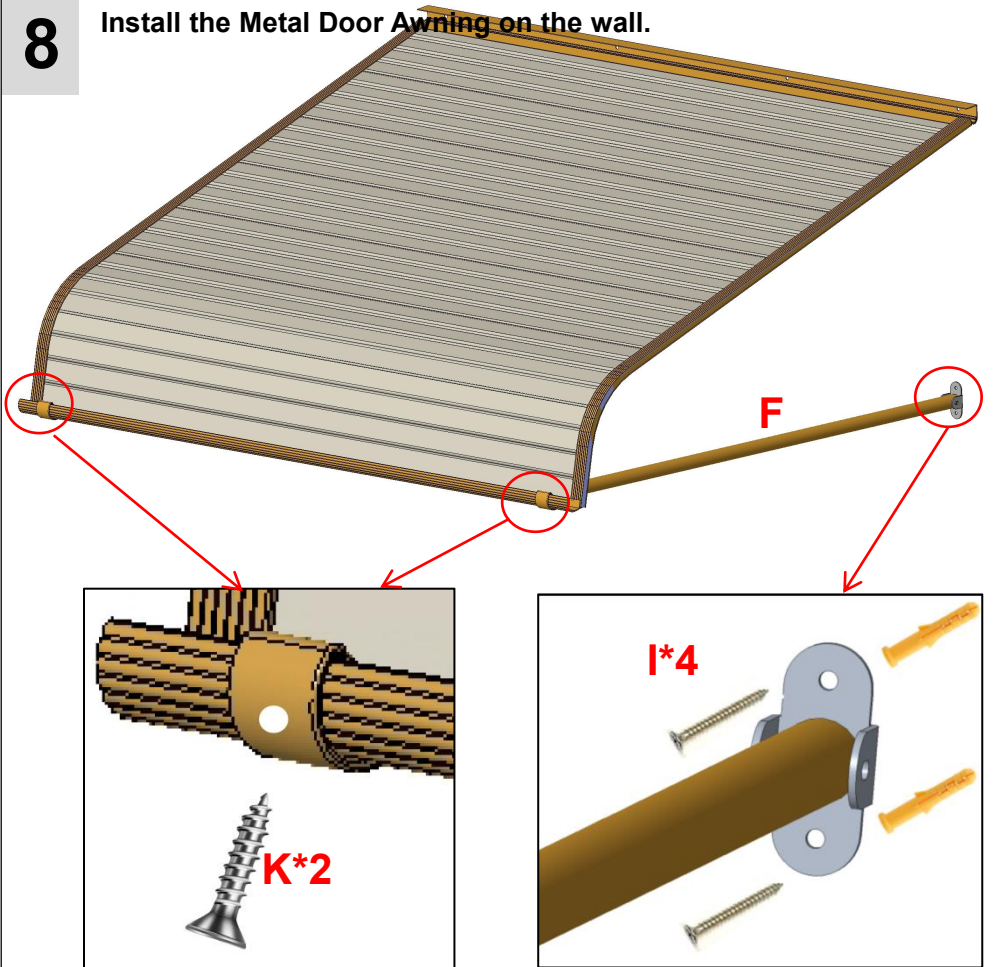
Install the Metal Door Awning on the wall.



Insert the aluminum alloy sheet into part H.

Lock the parts with screw(K*5).

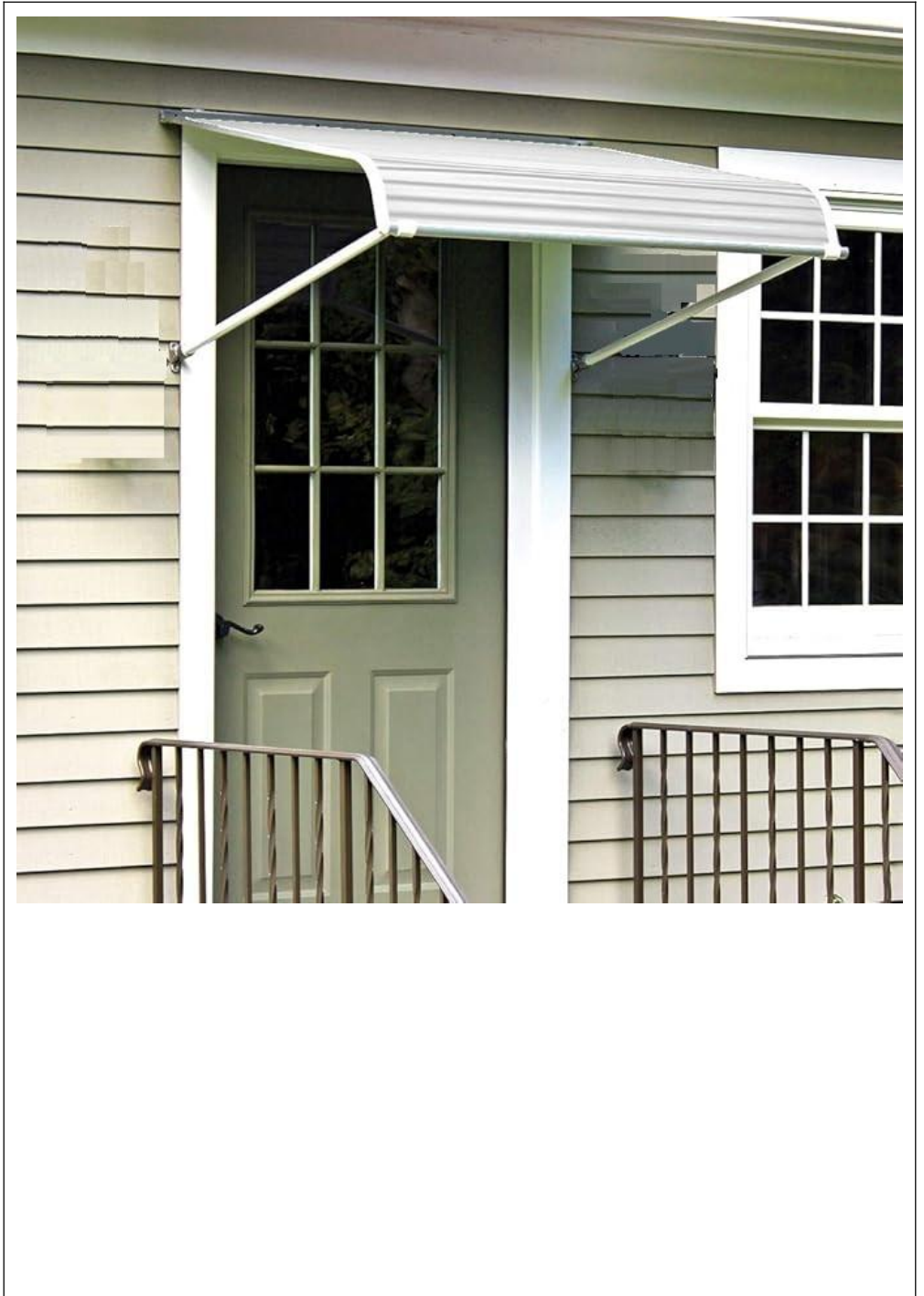
Note: There are 5 screw holes here, and you only need to fasten 2 of them.

8**Install the Metal Door Awning on the wall.**

1. Attach part(F*2) to the product.

2. Determine a suitable position by taking into account the actual sizes of the product and the door. Then, mark the positions of the fixing holes of part G on the wall.

3. Drill holes in the wall, insert plastic components, and then use screws to fix the product to the wall.



Snow Loads

The aluminum door canopies are manufactured from the highest - quality components available on the market today. They are designed to withstand normal weather conditions, including rain, sleet, snow, and wind. However, they are not designed to endure winds exceeding 30 miles per hour, snow loads of more than 12 inches of heavy, wet snow, or 24 inches of light snow. Additionally, they cannot withstand the impact force of snow and ice falling from an upper roof or piling up. This product will deliver excellent performance as long as it is installed correctly and used within its designed load - bearing limits.

Please remove snow promptly during use.

PRODUCT PARAMETER

Model	QL-60INCH
Material	Aluminum alloy
Colour	Silver
Shading area	60*42inch(1524*1066mm)
Maximum suitable width for doors/windows	47.2inch/1200mm

Manufacturer:Shanghaimuxinmuyeyouxiangongsi

Address:Shuangchenglu803nong11hao1602A-1609shi,baoshanqu, shanghai200000CN.

ECREP:E-CrossStuGmbH. MainzerLandstr.69,60329FrankfurtamMain.

UKREP:YHCONSULTINGLIMITED. C/OYHConsultingLimitedOffice147, CenturionHouse, LondonRoad, Staines-upon-Thames, Surrey, TW184AX ImportedtoAUS:SIHAOPTYLTD.

1ROKEVASTREETEASTWOODNSW2122Australia

ImportedtoUSA:SanvenTechnologyLtd.

Suite250,9166AnaheimPlace,RanchoCucamonga,CA91730



Technical Support and E-Warranty Certificate
www.vevor.com/support

VEVOR

Affordable. Reliable. Home Improvement.

METAL DOOR AWNING

USER MANUAL

MODEL:QL-60INCH

Technical Support and E-Warranty Certificate

www.vevor.com/support

VEVOR

Affordable. Reliable. Home Improvement.

METAL DOOR AWNING

MODEL:QL-60INCH



This is the original instruction, please read all manual instructions carefully before operating. VEVOR reserves a clear interpretation of our user manual. The appearance of the product shall be subject to the product you received. Please forgive us that we won't inform you again if there are any technology or software updates on our product.

SAFETY INSTRUCTIONS

WARNING:

Read this material before using this product. Failure to do so can result in serious injury.

Assembly precautions

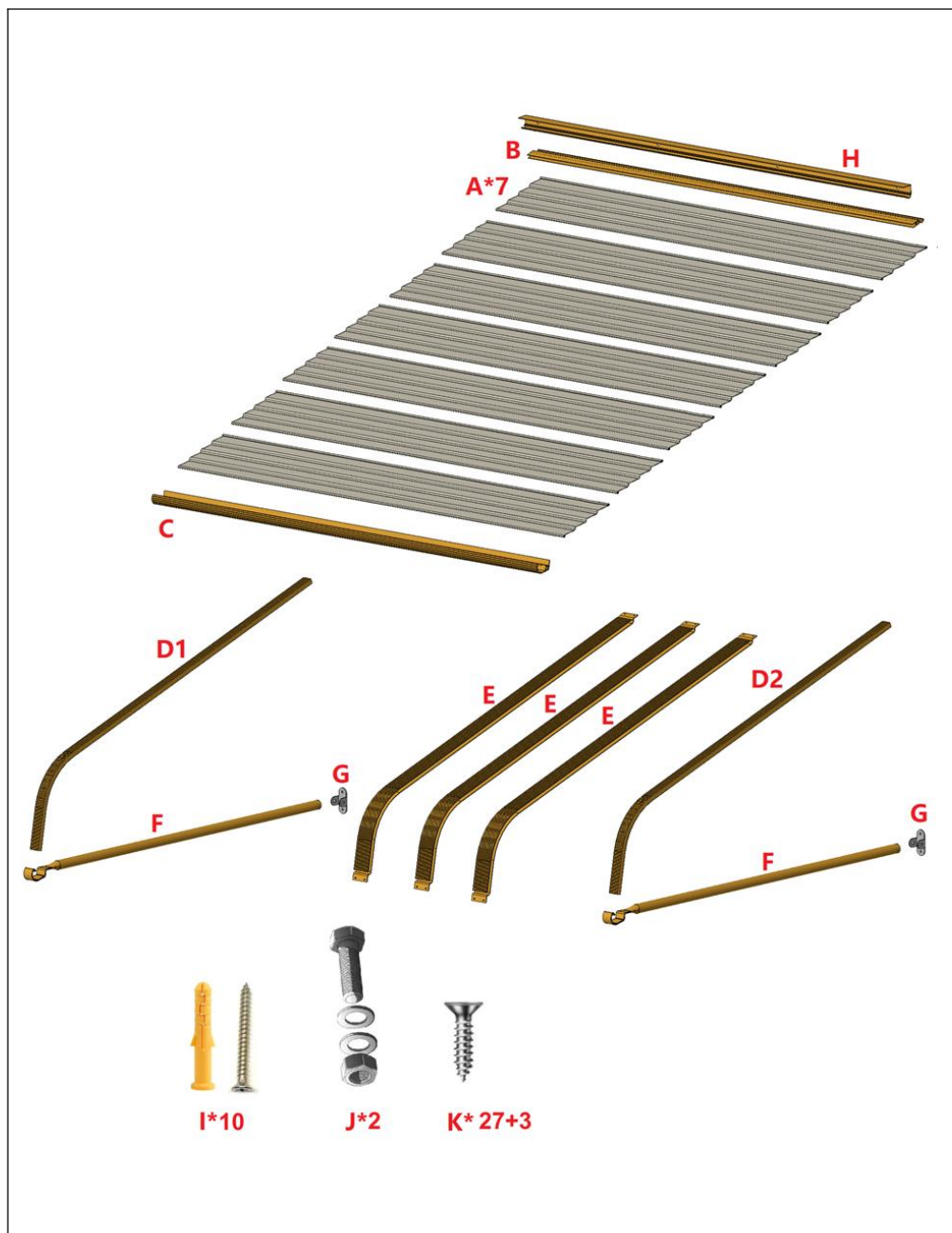
1. Assemble only according to these instructions. Improper assembly can create hazards.
2. Wear ANSI-approved safety goggles and heavy-duty work gloves during assembly.
3. Keep the assembly area clean and well-lit.
4. Keep bystanders out of the area during assembly.
5. Do not assemble if tired or when under the influence of alcohol, drugs or medication.
6. The product capabilities apply to properly and completely assembled products only.
7. Assemble on a flat, level, hard and smooth surface capable of safely supporting the Metal Door Awning.
8. For additional information regarding the parts listed in the following pages, please refer to the Assembly Diagram of this manual. Unwrap and separate all parts in a clean work area.




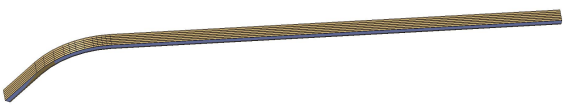
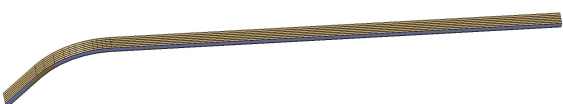


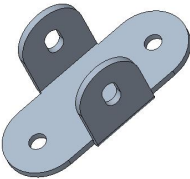




Use precautions

1. DO NOT SIT OR STAND ON THIS ITEM.
2. This product is not a toy. Do not allow children to play with or near this item.
3. Do not exceed specified weight capacities.
4. Use only on a flat, level, hard, and smooth surface that can safely support a fully loaded Metal Door Awning.
5. Use as intended only.
6. Do not use if parts are loose or damaged.
7. Spare parts such as screws are available.

SAVE THIS MANUAL

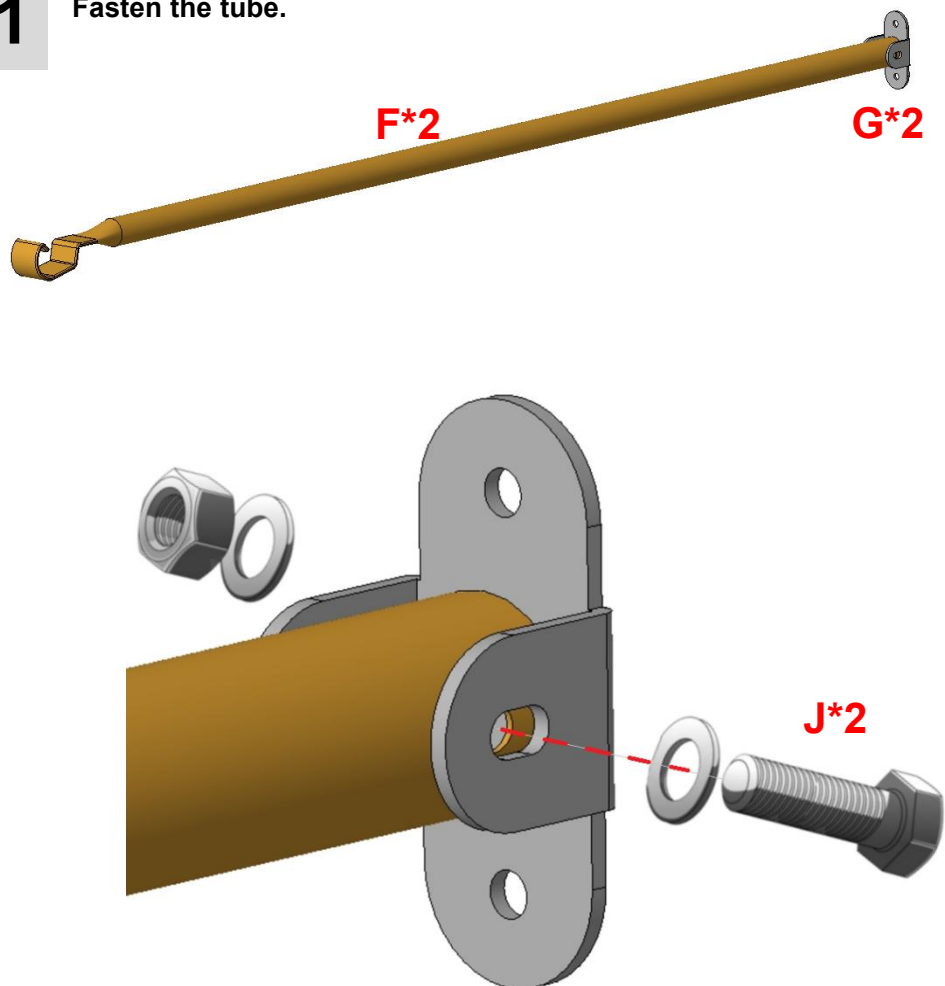
PARTS LIST



Serial number	Quantity	Part picture
A	7	
B	1	
C	1	
D1	1	
D1	1	
E	3	
F	2	
G	2	
H	1	
I	10	
J	2	
K	27+3	

ASSEMBLY STEP

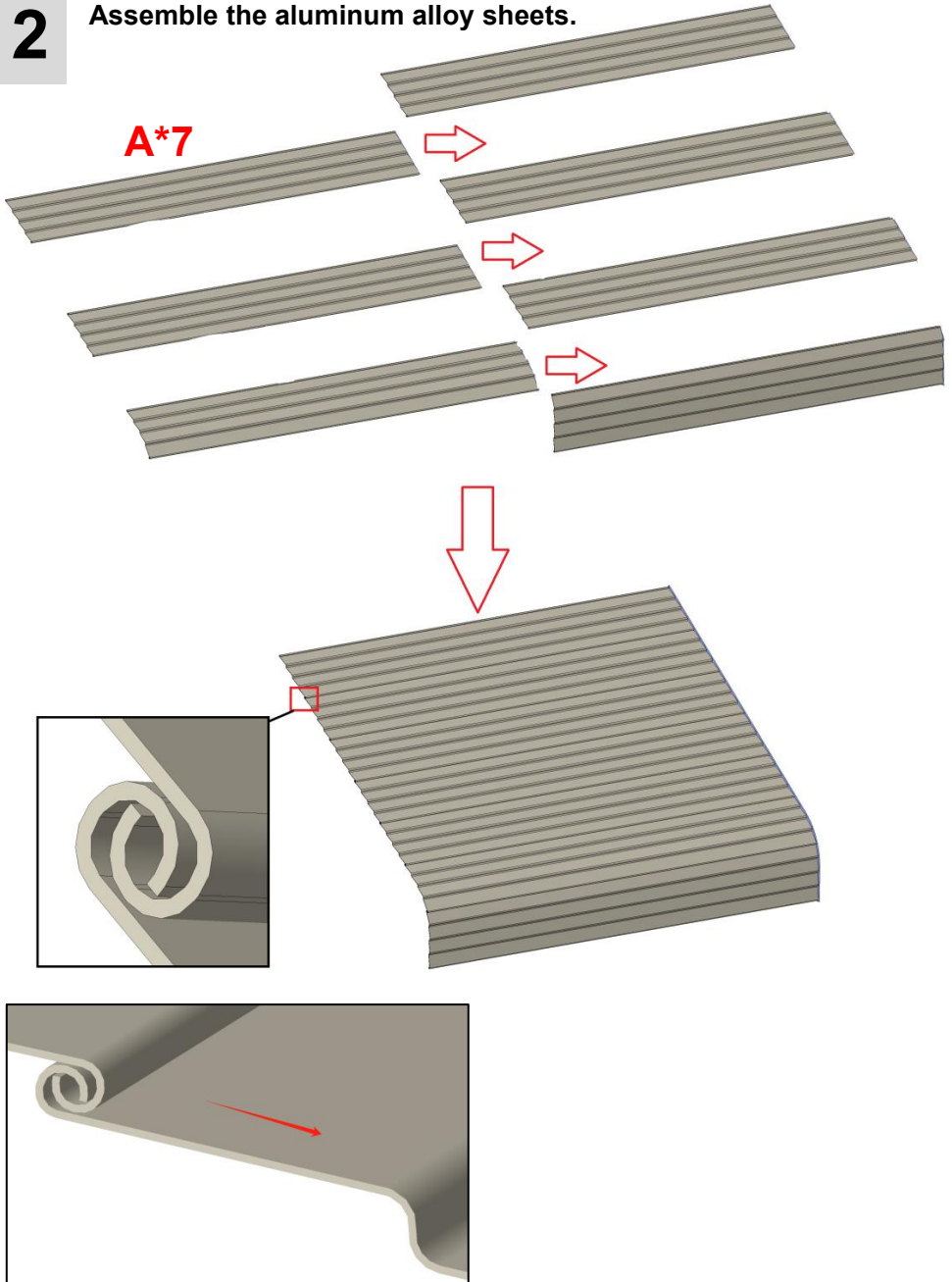
1 Fasten the tube.



Use screw(J*2) to fasten the tube(F*2) and the fixing part(G*2) together.

2

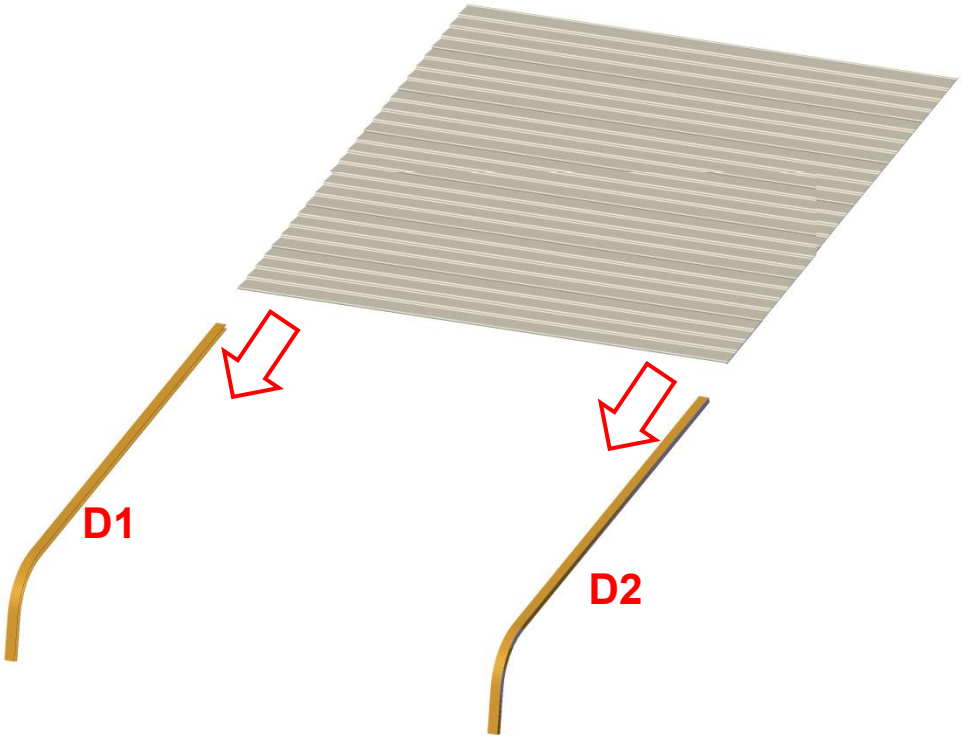
Assemble the aluminum alloy sheets.



Insert the aluminum alloy sheets(A*7) into each other in the direction of the arrow.

3

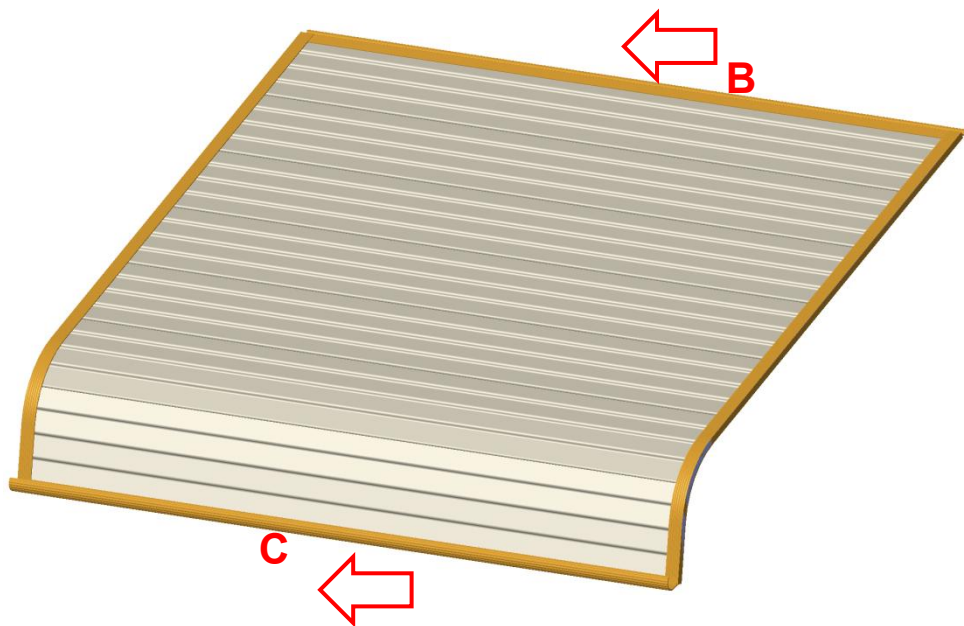
Assemble the aluminum alloy sheets.



Insert the aluminum alloy sheet(A) into D1 and D2 in the direction of the arrow.

4-1

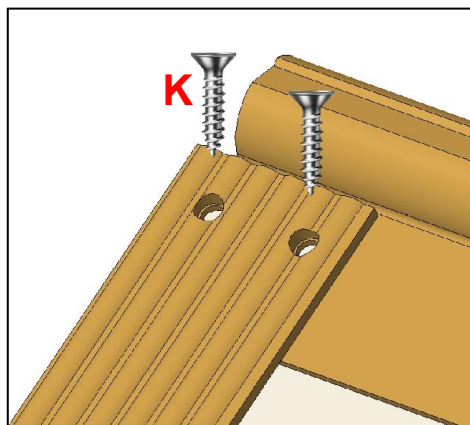
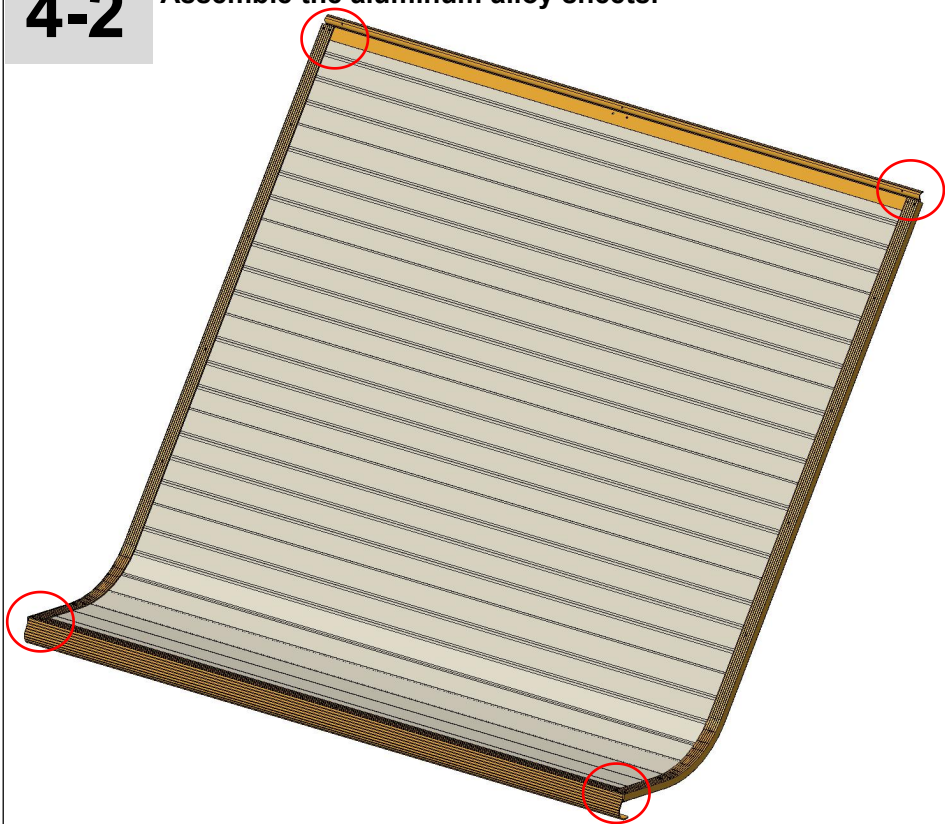
Assemble the aluminum alloy sheets.



Insert parts B and C into the aluminum alloy sheet(A).

4-2

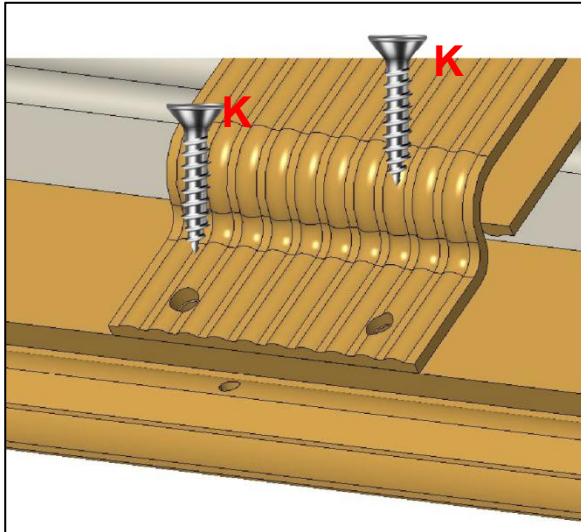
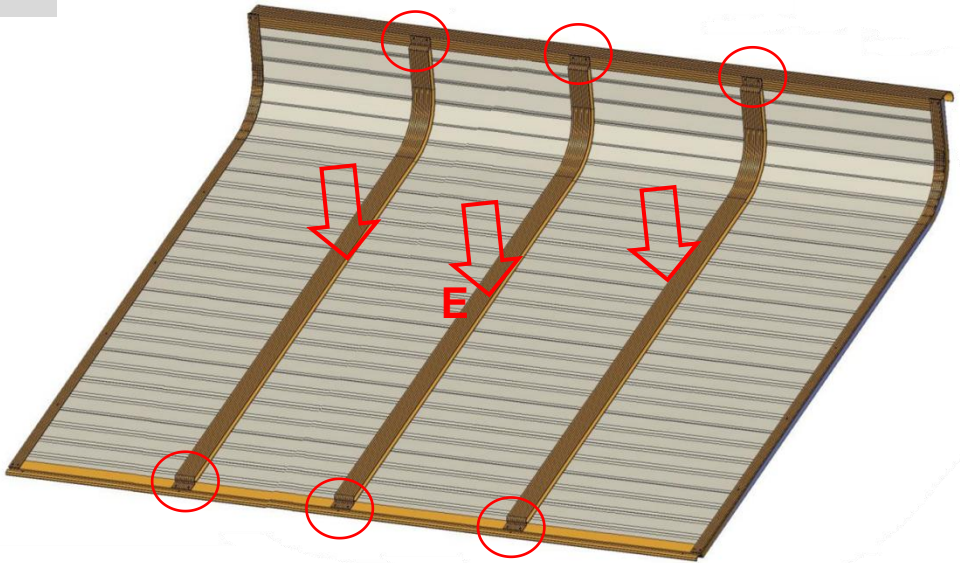
Assemble the aluminum alloy sheets.



1. Turn the whole product over; 2. Fix it with screws(K*8).

5

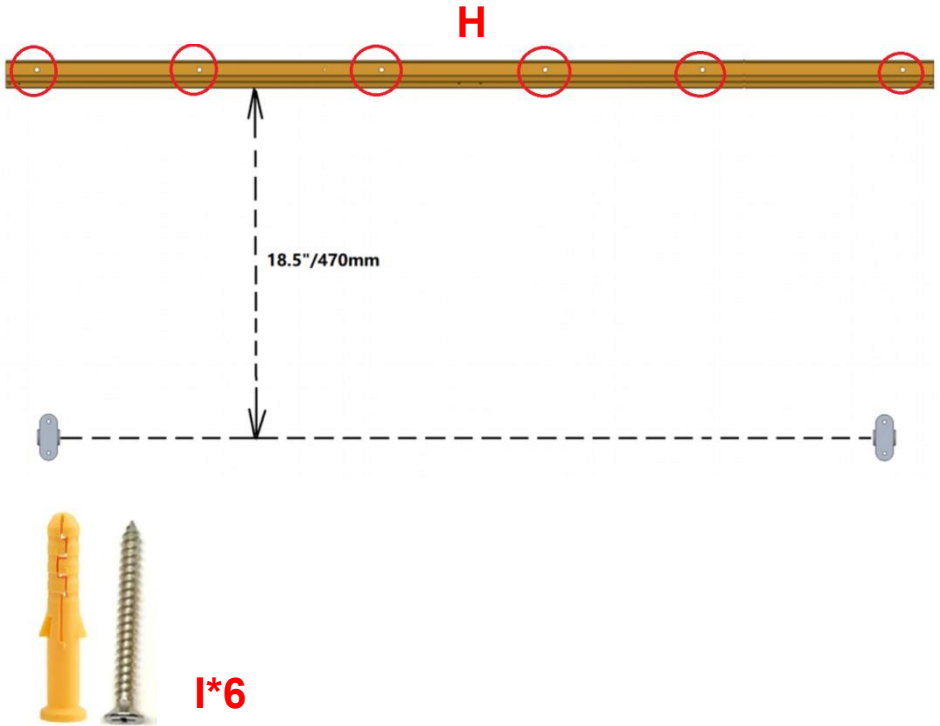
Insert the aluminum alloy sheets.



Install part E in the middle position of the aluminum alloy sheet and fix it with screws(K*12).

6

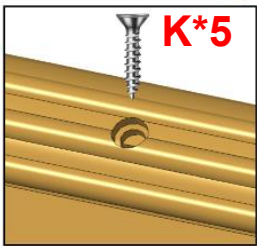
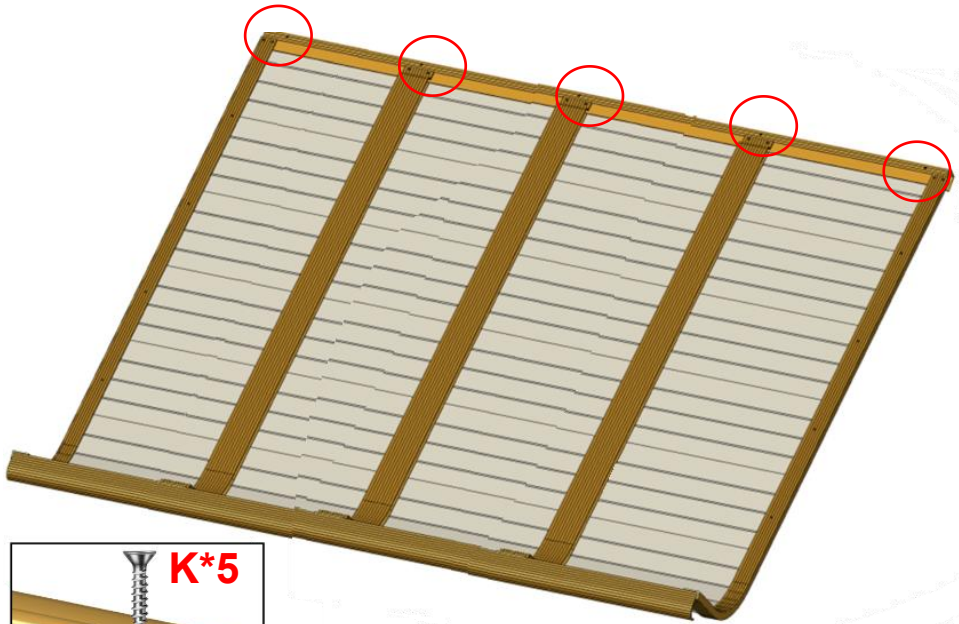
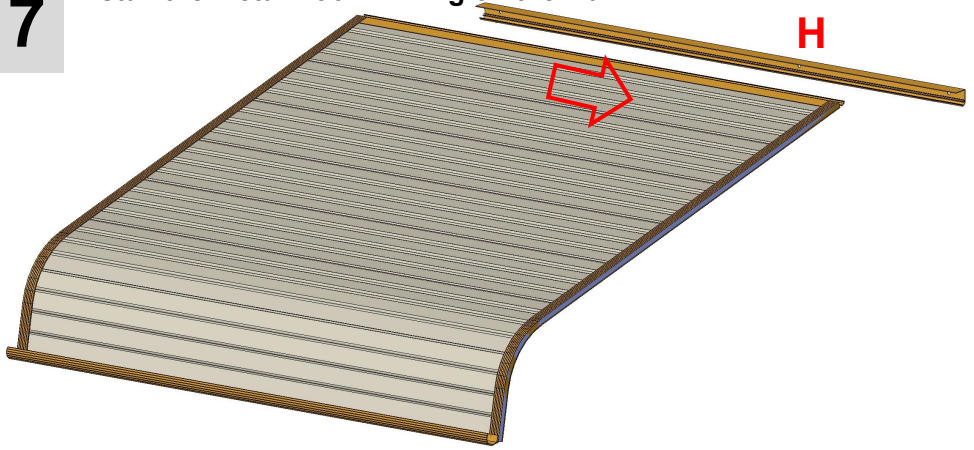
Drill holes in the wall.



First, mark the positioning holes on the wall for part H according to the above - recommended dimensions. Then, drill holes in the wall using a $\varnothing 6\sim\varnothing 8$ mm drill bit. Next, insert plastic plugs into the holes. Finally, install part H on the wall using wall - floor nails(I*6).

7

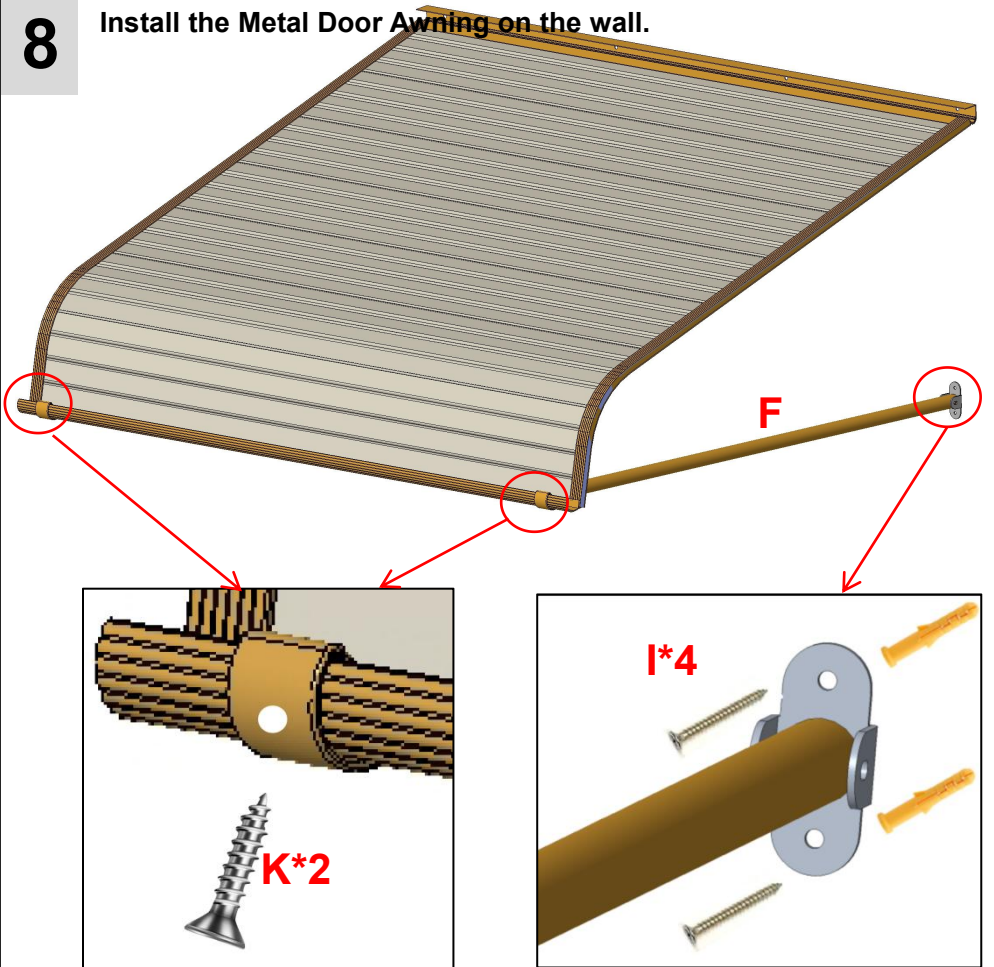
Install the Metal Door Awning on the wall.



Insert the aluminum alloy sheet into part H.

Lock the parts with screw(K*5).

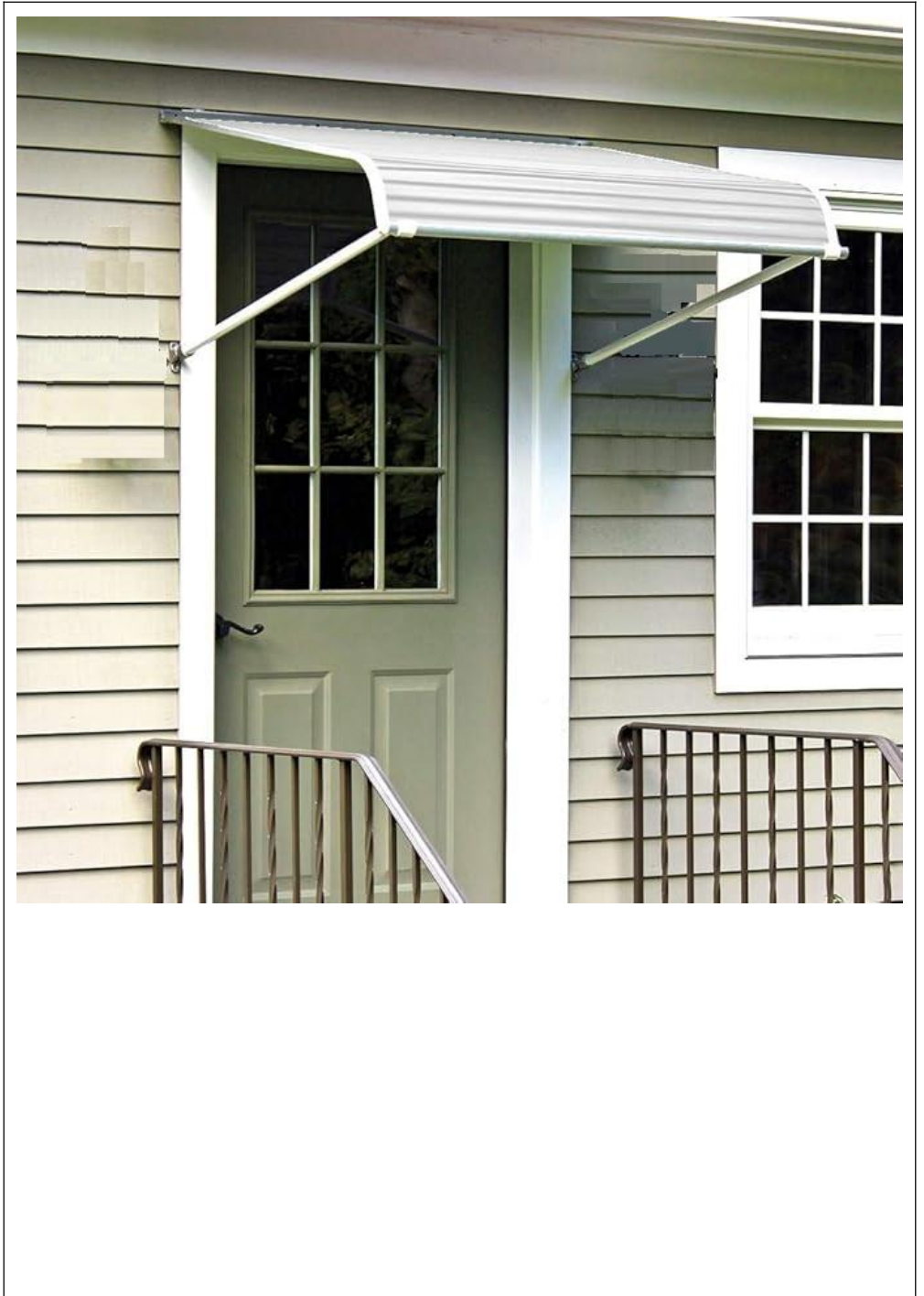
Note: There are 5 screw holes here, and you only need to fasten 2 of them.

8**Install the Metal Door Awning on the wall.**

1. Attach part(F*2) to the product.

2. Determine a suitable position by taking into account the actual sizes of the product and the door. Then, mark the positions of the fixing holes of part G on the wall.

3. Drill holes in the wall, insert plastic components, and then use screws to fix the product to the wall.



Snow Loads

The aluminum door canopies are manufactured from the highest - quality components available on the market today. They are designed to withstand normal weather conditions, including rain, sleet, snow, and wind. However, they are not designed to endure winds exceeding 30 miles per hour, snow loads of more than 12 inches of heavy, wet snow, or 24 inches of light snow. Additionally, they cannot withstand the impact force of snow and ice falling from an upper roof or piling up. This product will deliver excellent performance as long as it is installed correctly and used within its designed load - bearing limits.

Please remove snow promptly during use.

PRODUCT PARAMETER

Model	QL-60INCH
Material	Aluminum alloy
Colour	Silver
Shading area	60*42inch(1524*1066mm)
Maximum suitable width for doors/windows	47.2inch/1200mm

Manufacturer:Shanghaimuxinmuyeyouxiangongsi

Address:Shuangchenglu803nong11hao1602A-1609shi,baoshanqu, shanghai200000CN.

ECREP:E-CrossStuGmbH. MainzerLandstr.69,60329FrankfurtamMain.

UKREP:YHCONSULTINGLIMITED. C/OYHConsultingLimitedOffice147, CenturionHouse, LondonRoad, Staines-upon-Thames, Surrey, TW184AX ImportedtoAUS:SIHAOPTYLTD.

1ROKEVASTREETEASTWOODNSW2122Australia

ImportedtoUSA:SanvenTechnologyLtd.

Suite250,9166AnaheimPlace,RanchoCucamonga,CA91730



Technical Support and E-Warranty Certificate
www.vevor.com/support

VEVOR

Affordable. Reliable. Home Improvement.

METAL DOOR AWNING

USER MANUAL

MODEL:QL-60INCH

Technical Support and E-Warranty Certificate

www.vevor.com/support

VEVOR

Affordable. Reliable. Home Improvement.

METAL DOOR AWNING

MODEL:QL-60INCH



This is the original instruction, please read all manual instructions carefully before operating. VEVOR reserves a clear interpretation of our user manual. The appearance of the product shall be subject to the product you received. Please forgive us that we won't inform you again if there are any technology or software updates on our product.

SAFETY INSTRUCTIONS

WARNING:

Read this material before using this product. Failure to do so can result in serious injury.

Assembly precautions

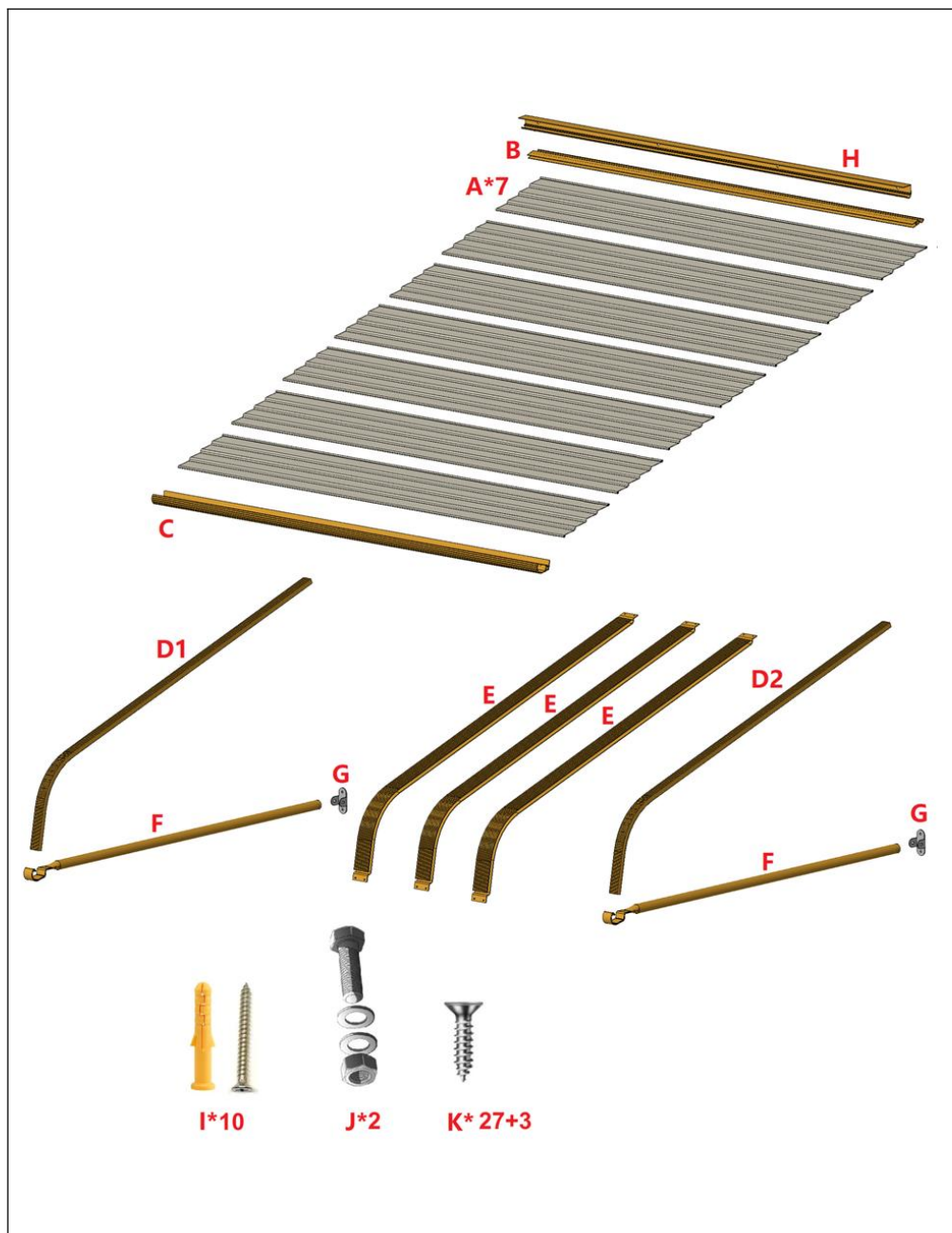
1. Assemble only according to these instructions. Improper assembly can create hazards.
2. Wear ANSI-approved safety goggles and heavy-duty work gloves during assembly.
3. Keep the assembly area clean and well-lit.
4. Keep bystanders out of the area during assembly.
5. Do not assemble if tired or when under the influence of alcohol, drugs or medication.
6. The product capabilities apply to properly and completely assembled products only.
7. Assemble on a flat, level, hard and smooth surface capable of safely supporting the Metal Door Awning.
8. For additional information regarding the parts listed in the following pages, please refer to the Assembly Diagram of this manual. Unwrap and separate all parts in a clean work area.




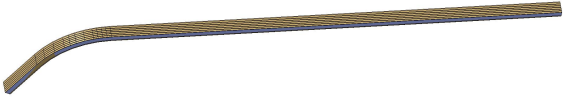
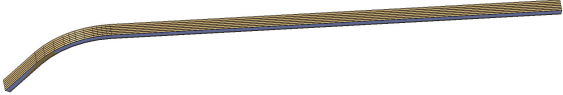


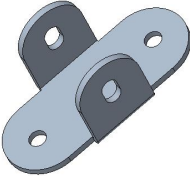



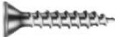
Use precautions

1. DO NOT SIT OR STAND ON THIS ITEM.
2. This product is not a toy. Do not allow children to play with or near this item.
3. Do not exceed specified weight capacities.
4. Use only on a flat, level, hard, and smooth surface that can safely support a fully loaded Metal Door Awning.
5. Use as intended only.
6. Do not use if parts are loose or damaged.
7. Spare parts such as screws are available.

SAVE THIS MANUAL

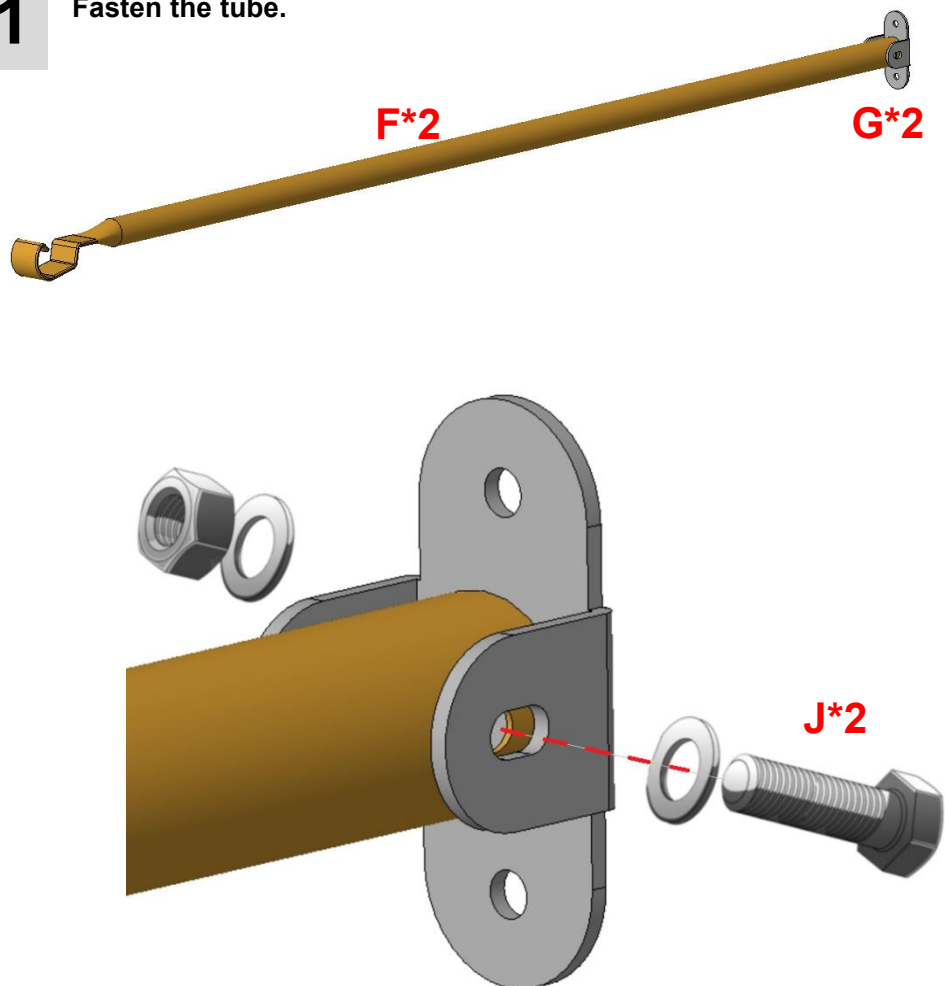
PARTS LIST



Serial number	Quantity	Part picture
A	7	
B	1	
C	1	
D1	1	
D1	1	
E	3	
F	2	
G	2	
H	1	
I	10	
J	2	
K	27+3	

ASSEMBLY STEP

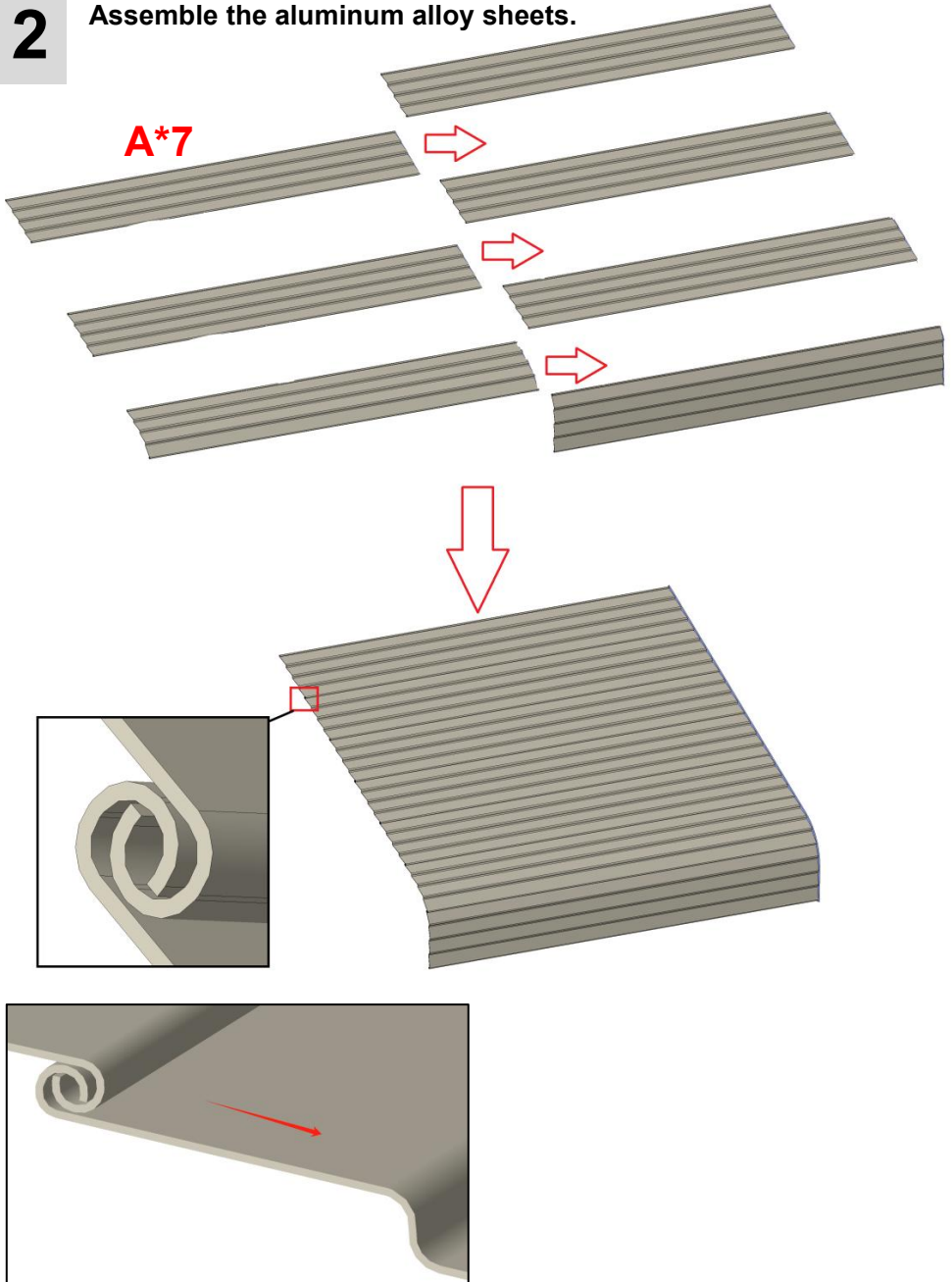
1 Fasten the tube.



Use screw(J*2) to fasten the tube(F*2) and the fixing part(G*2) together.

2

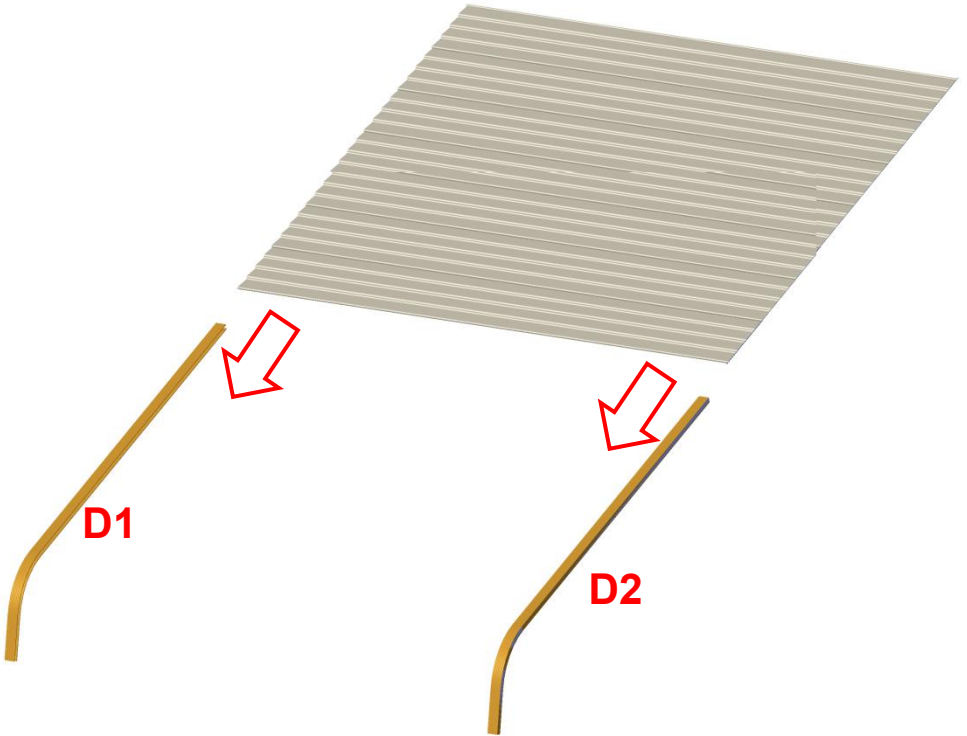
Assemble the aluminum alloy sheets.



Insert the aluminum alloy sheets(A*7) into each other in the direction of the arrow.

3

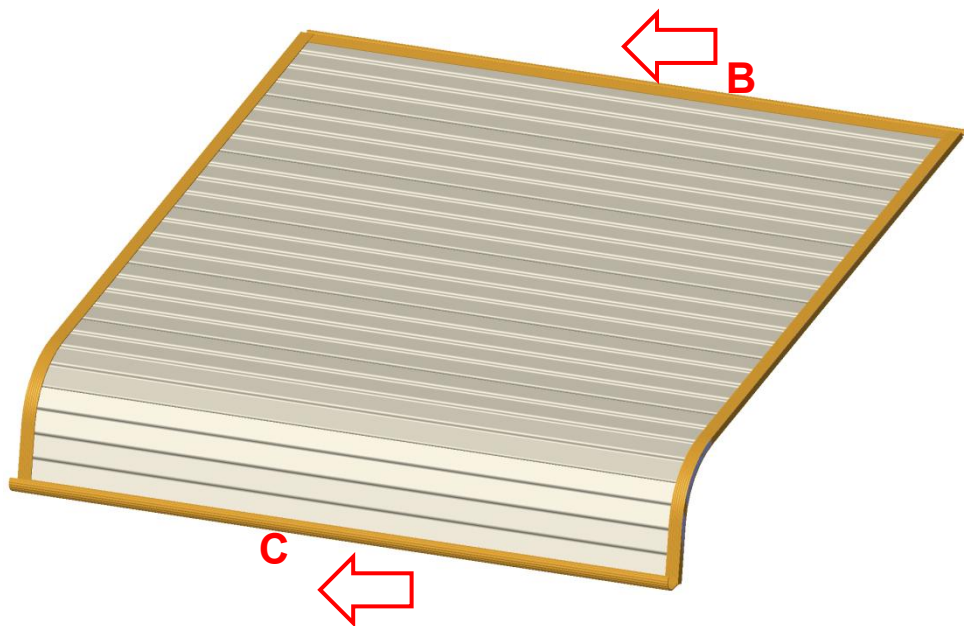
Assemble the aluminum alloy sheets.



Insert the aluminum alloy sheet(A) into D1 and D2 in the direction of the arrow.

4-1

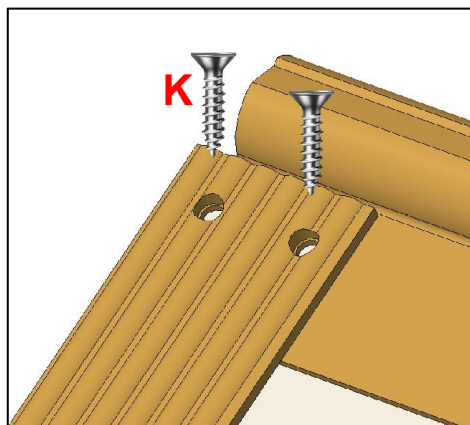
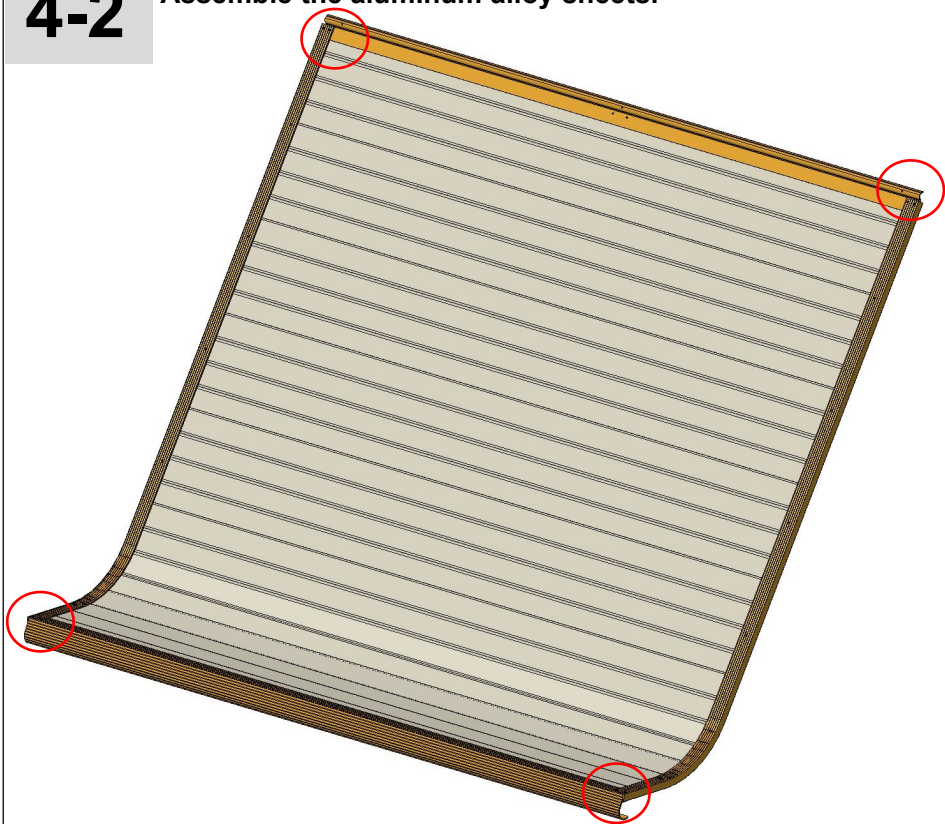
Assemble the aluminum alloy sheets.



Insert parts B and C into the aluminum alloy sheet(A).

4-2

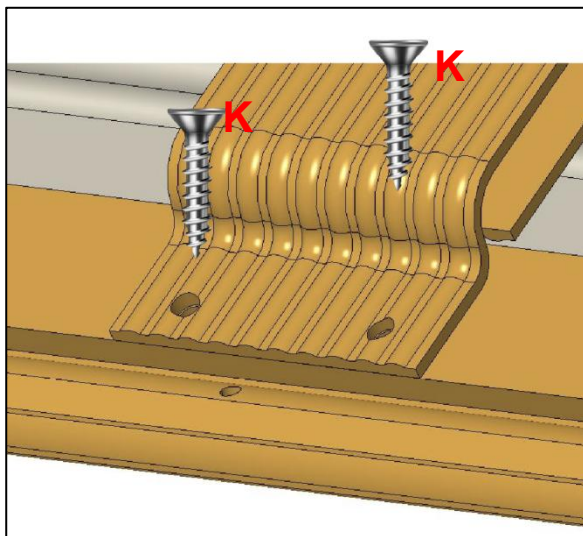
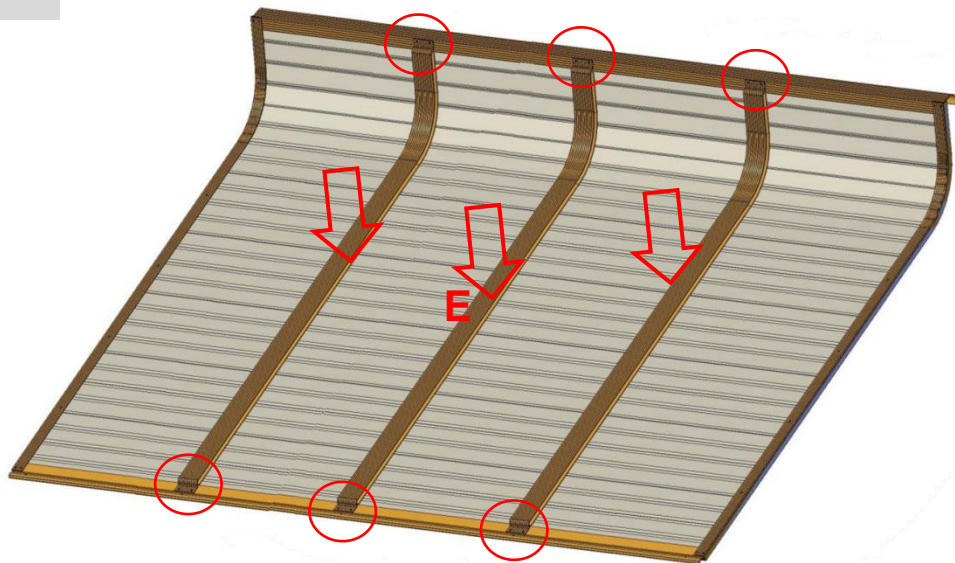
Assemble the aluminum alloy sheets.



1. Turn the whole product over; 2. Fix it with screws(K*8).

5

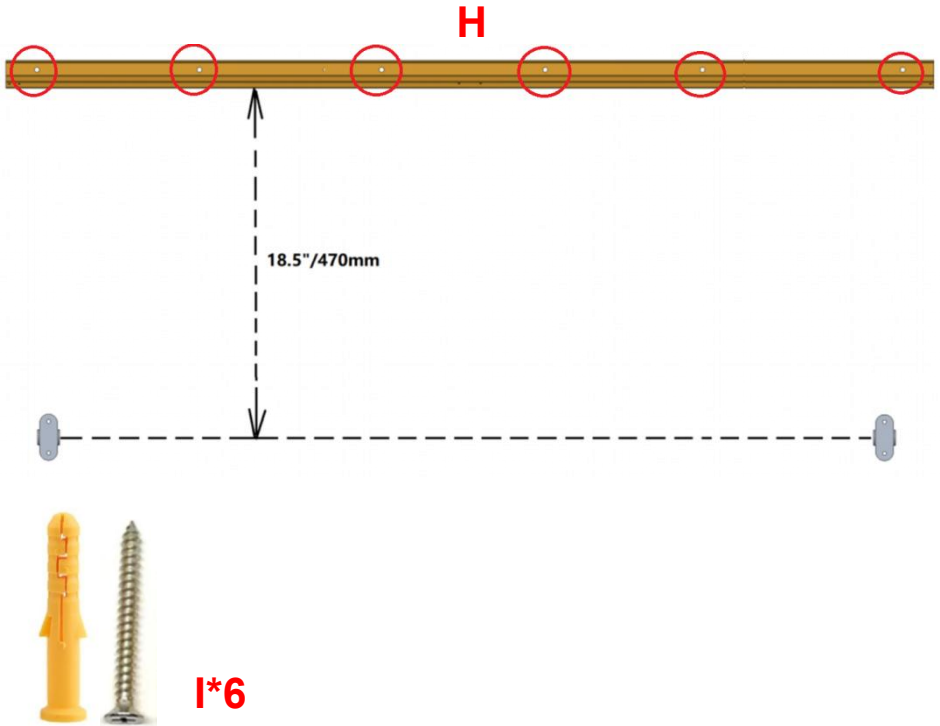
Insert the aluminum alloy sheets.



Install part E in the middle position of the aluminum alloy sheet and fix it with screws(K*12).

6

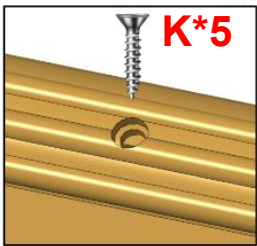
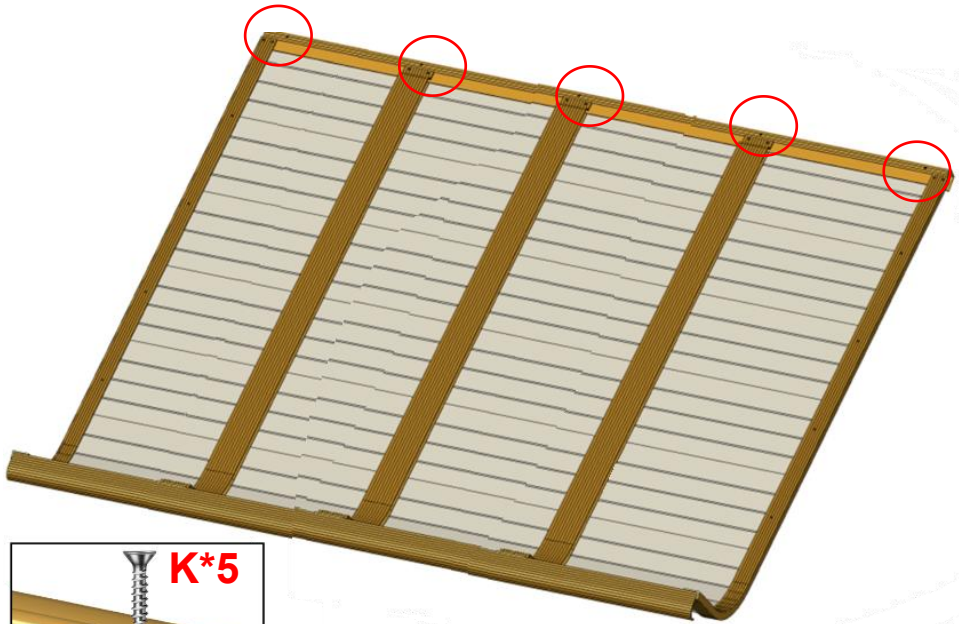
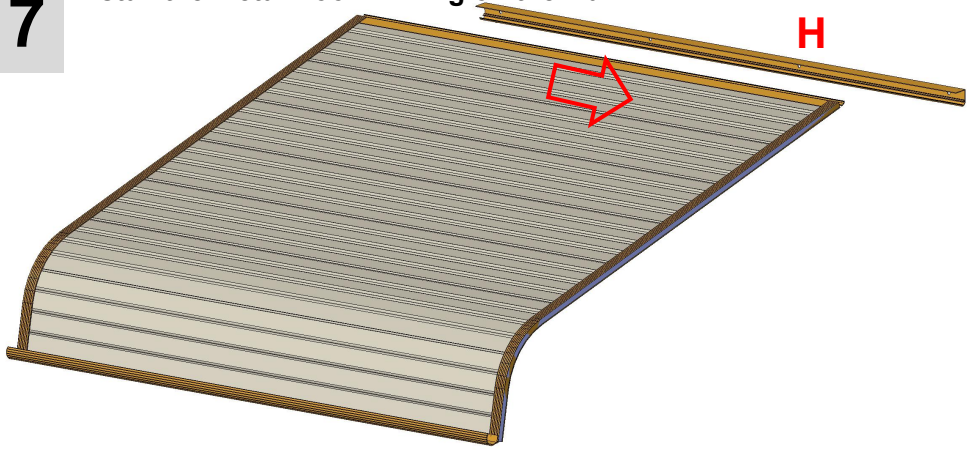
Drill holes in the wall.



First, mark the positioning holes on the wall for part H according to the above - recommended dimensions. Then, drill holes in the wall using a $\varnothing 6\sim\varnothing 8$ mm drill bit. Next, insert plastic plugs into the holes. Finally, install part H on the wall using wall - floor nails(I*6).

7

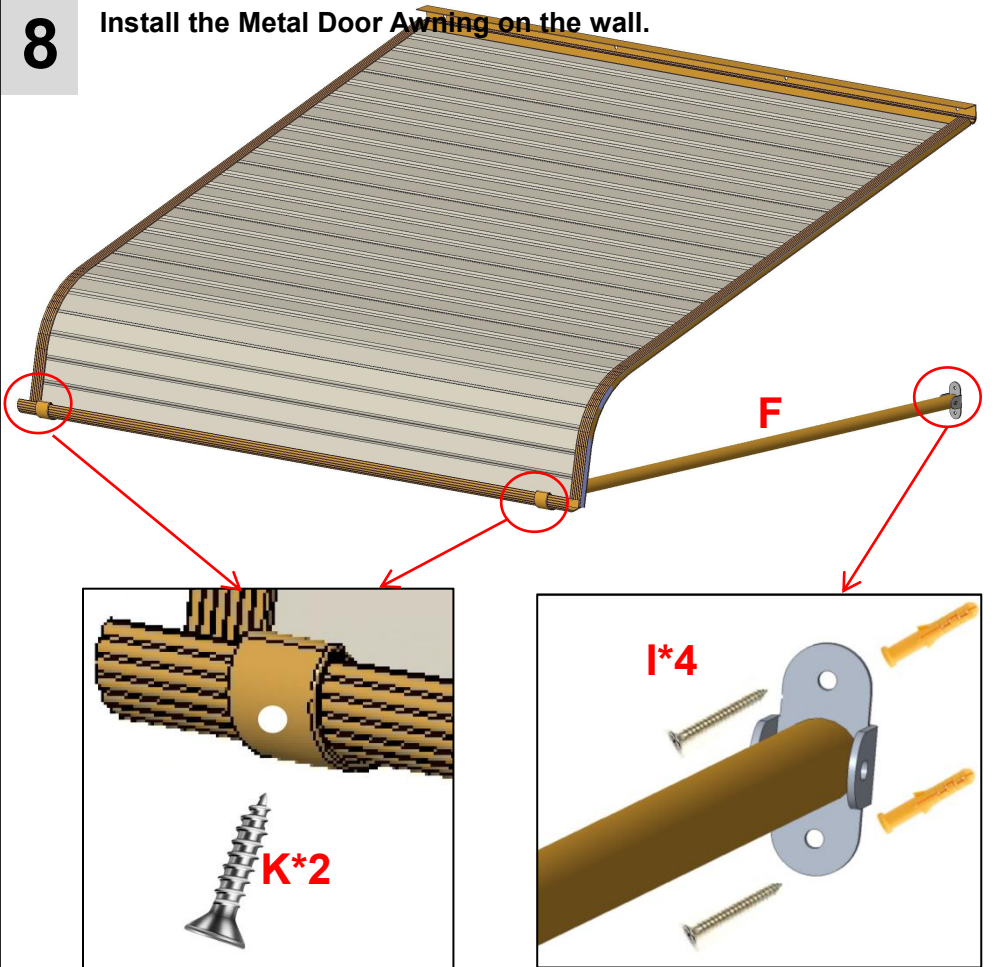
Install the Metal Door Awning on the wall.



Insert the aluminum alloy sheet into part H.

Lock the parts with screw(K*5).

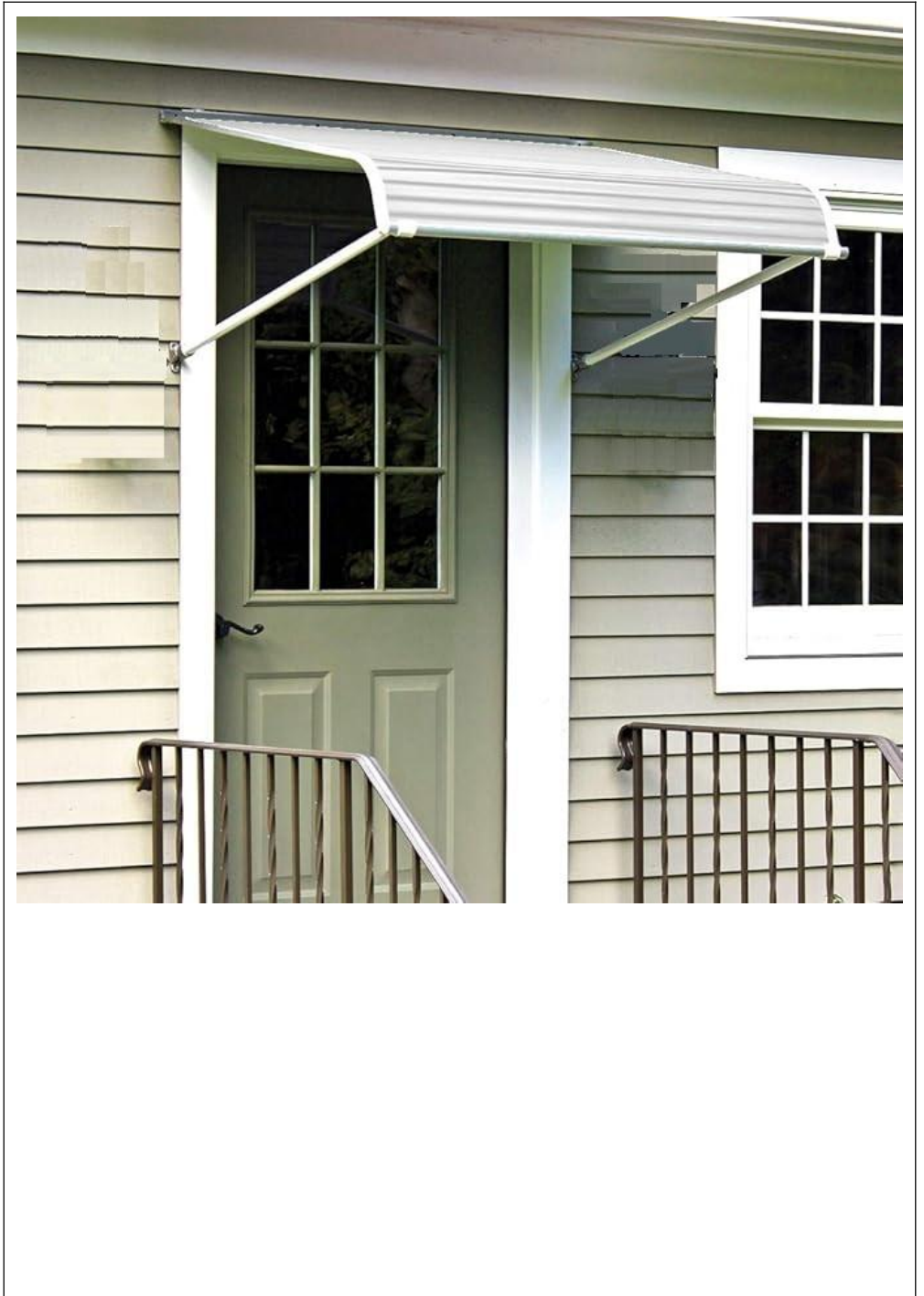
Note: There are 5 screw holes here, and you only need to fasten 2 of them.

8**Install the Metal Door Awning on the wall.**

1. Attach part(F*2) to the product.

2. Determine a suitable position by taking into account the actual sizes of the product and the door. Then, mark the positions of the fixing holes of part G on the wall.

3. Drill holes in the wall, insert plastic components, and then use screws to fix the product to the wall.



Snow Loads

The aluminum door canopies are manufactured from the highest - quality components available on the market today. They are designed to withstand normal weather conditions, including rain, sleet, snow, and wind. However, they are not designed to endure winds exceeding 30 miles per hour, snow loads of more than 12 inches of heavy, wet snow, or 24 inches of light snow. Additionally, they cannot withstand the impact force of snow and ice falling from an upper roof or piling up. This product will deliver excellent performance as long as it is installed correctly and used within its designed load - bearing limits.

Please remove snow promptly during use.

PRODUCT PARAMETER

Model	QL-60INCH
Material	Aluminum alloy
Colour	Silver
Shading area	60*42inch(1524*1066mm)
Maximum suitable width for doors/windows	47.2inch/1200mm

Manufacturer:Shanghaimuxinmuyeyouxiangongsi

Address:Shuangchenglu803nong11hao1602A-1609shi,baoshanqu, shanghai200000CN.

ECREP:E-CrossStuGmbH. MainzerLandstr.69,60329FrankfurtamMain.

UKREP:YHCONSULTINGLIMITED. C/OYHConsultingLimitedOffice147, CenturionHouse, LondonRoad, Staines-upon-Thames, Surrey, TW184AX
ImportedtoAUS:SIHAOPTYLTD.

1ROKEVASTREETEASTWOODNSW2122Australia

ImportedtoUSA:SanvenTechnologyLtd.

Suite250,9166AnaheimPlace,RanchoCucamonga,CA91730



Technical Support and E-Warranty Certificate
www.vevor.com/support

VEVOR

Affordable. Reliable. Home Improvement.

METAL DOOR AWNING

USER MANUAL

MODEL:QL-60INCH

Technical Support and E-Warranty Certificate

www.vevor.com/support

VEVOR

Affordable. Reliable. Home Improvement.

METAL DOOR AWNING

MODEL:QL-60INCH



This is the original instruction, please read all manual instructions carefully before operating. VEVOR reserves a clear interpretation of our user manual. The appearance of the product shall be subject to the product you received. Please forgive us that we won't inform you again if there are any technology or software updates on our product.

SAFETY INSTRUCTIONS

WARNING:

Read this material before using this product. Failure to do so can result in serious injury.

Assembly precautions

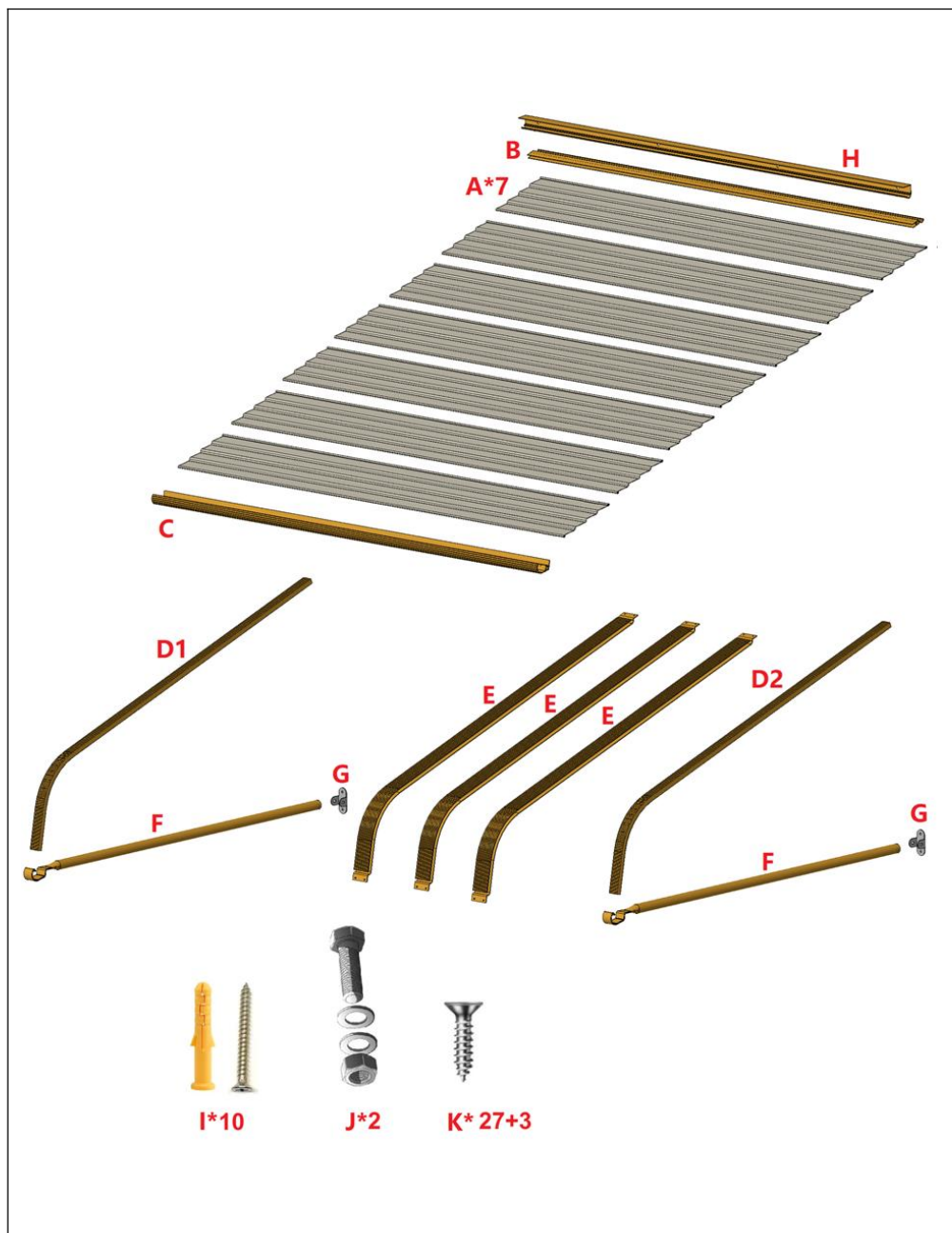
1. Assemble only according to these instructions. Improper assembly can create hazards.
2. Wear ANSI-approved safety goggles and heavy-duty work gloves during assembly.
3. Keep the assembly area clean and well-lit.
4. Keep bystanders out of the area during assembly.
5. Do not assemble if tired or when under the influence of alcohol, drugs or medication.
6. The product capabilities apply to properly and completely assembled products only.
7. Assemble on a flat, level, hard and smooth surface capable of safely supporting the Metal Door Awning.
8. For additional information regarding the parts listed in the following pages, please refer to the Assembly Diagram of this manual. Unwrap and separate all parts in a clean work area.




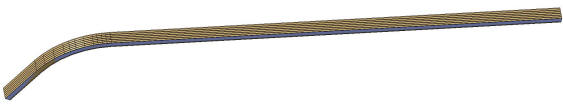
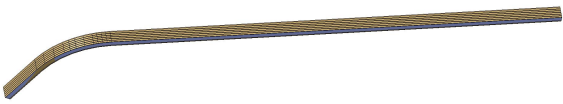


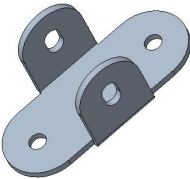



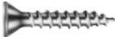
Use precautions

1. DO NOT SIT OR STAND ON THIS ITEM.
2. This product is not a toy. Do not allow children to play with or near this item.
3. Do not exceed specified weight capacities.
4. Use only on a flat, level, hard, and smooth surface that can safely support a fully loaded Metal Door Awning.
5. Use as intended only.
6. Do not use if parts are loose or damaged.
7. Spare parts such as screws are available.

SAVE THIS MANUAL

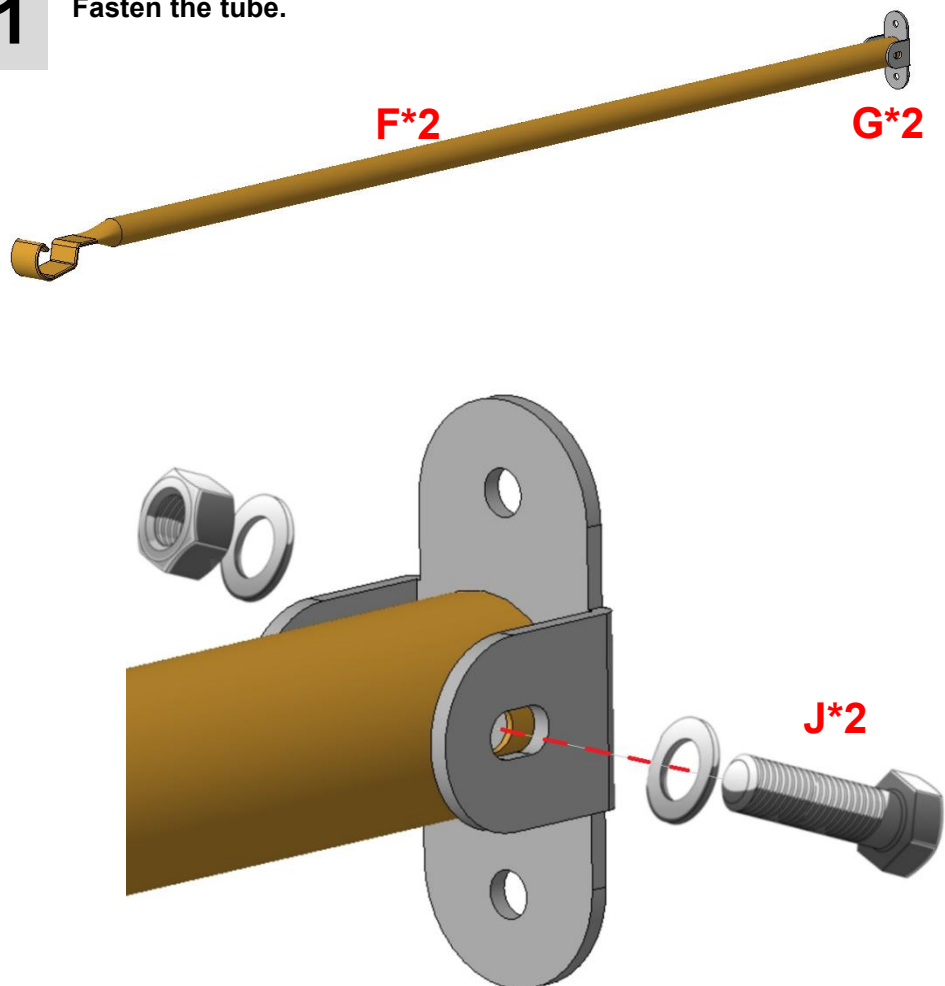
PARTS LIST



Serial number	Quantity	Part picture
A	7	
B	1	
C	1	
D1	1	
D1	1	
E	3	
F	2	
G	2	
H	1	
I	10	
J	2	
K	27+3	

ASSEMBLY STEP

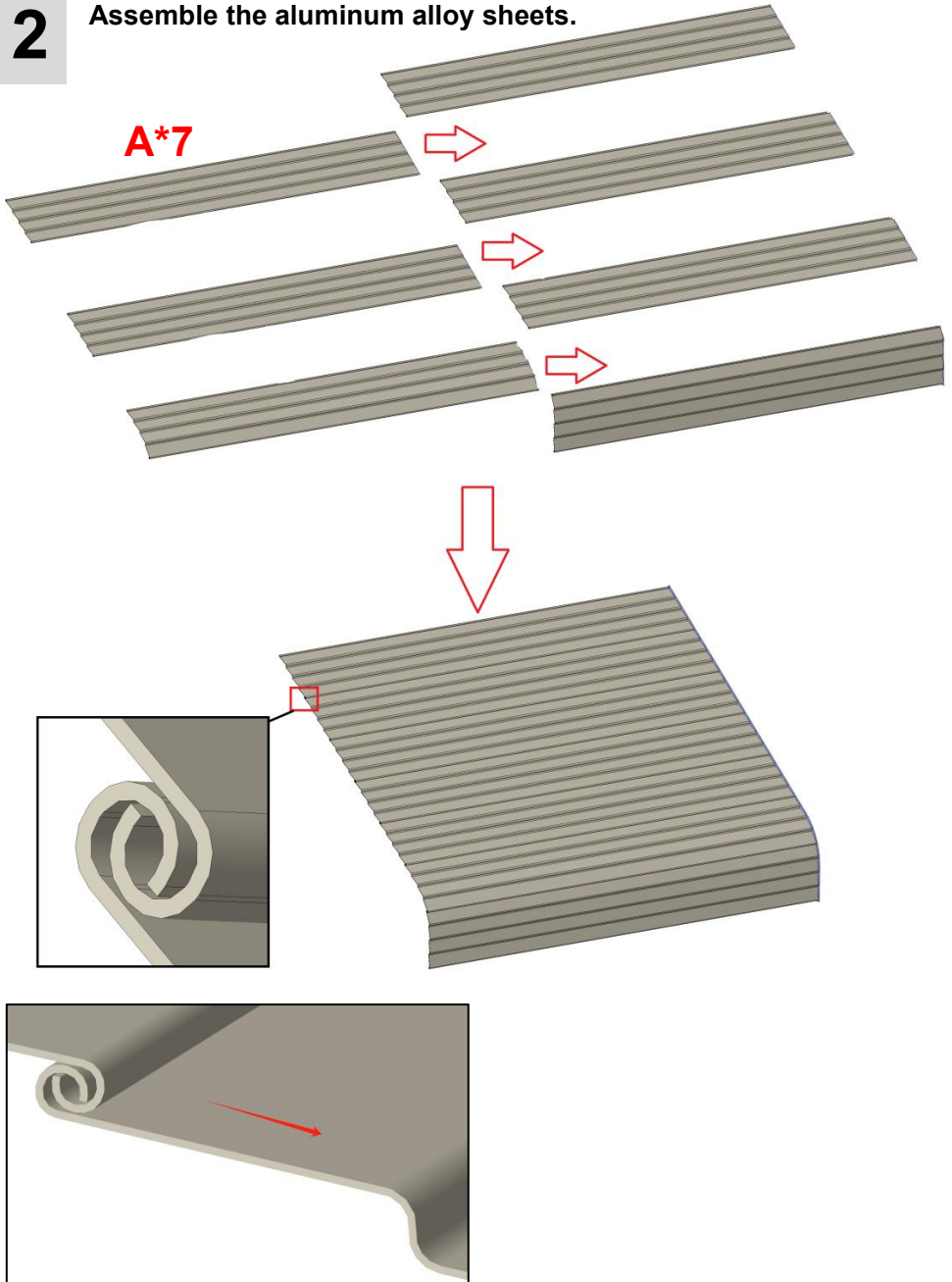
1 Fasten the tube.



Use screw(J*2) to fasten the tube(F*2) and the fixing part(G*2) together.

2

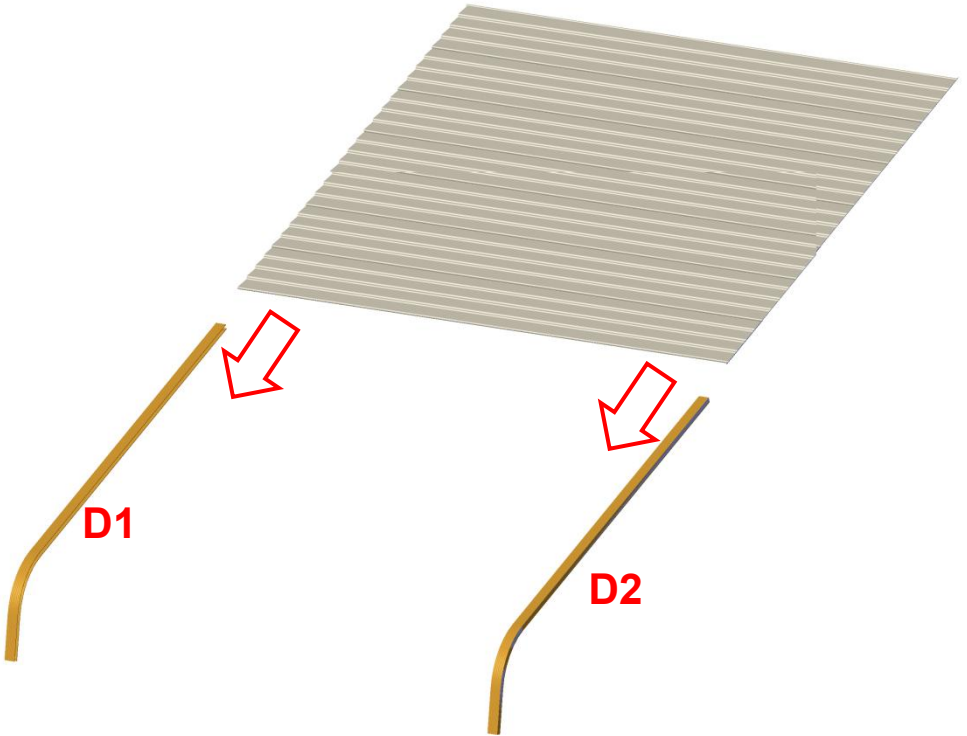
Assemble the aluminum alloy sheets.



Insert the aluminum alloy sheets(A*7) into each other in the direction of the arrow.

3

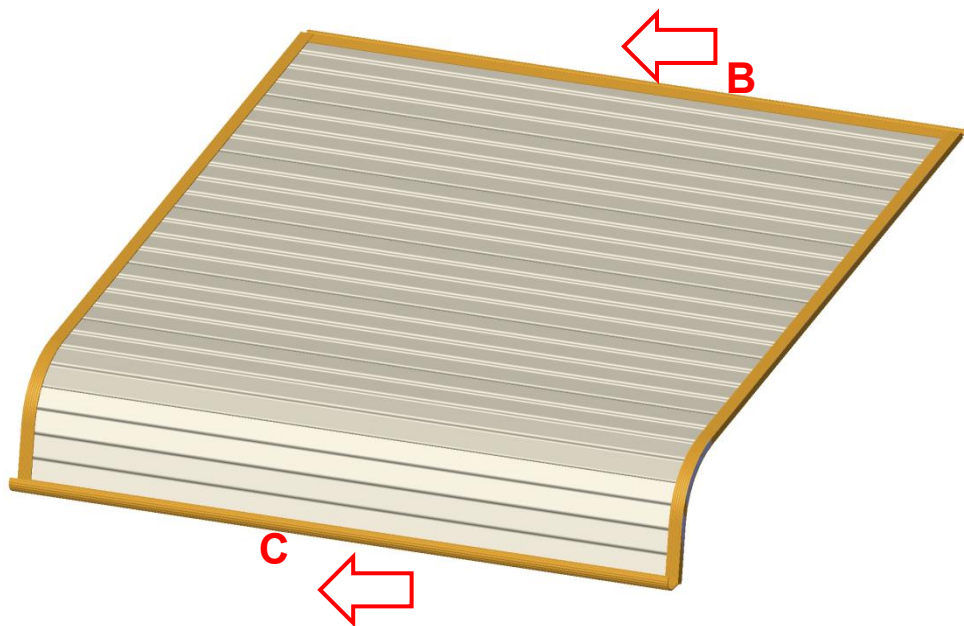
Assemble the aluminum alloy sheets.



Insert the aluminum alloy sheet(A) into D1 and D2 in the direction of the arrow.

4-1

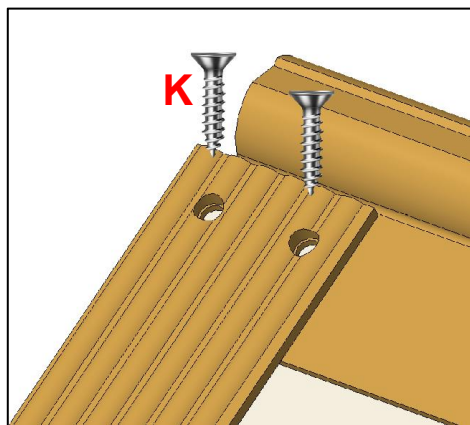
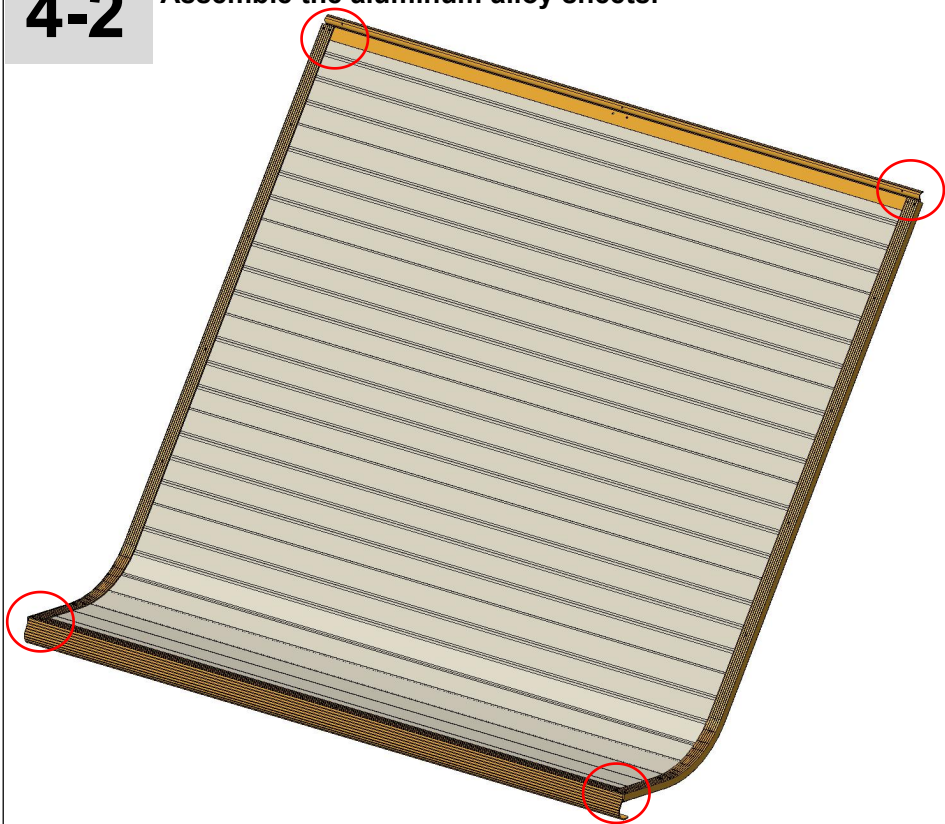
Assemble the aluminum alloy sheets.



Insert parts B and C into the aluminum alloy sheet(A).

4-2

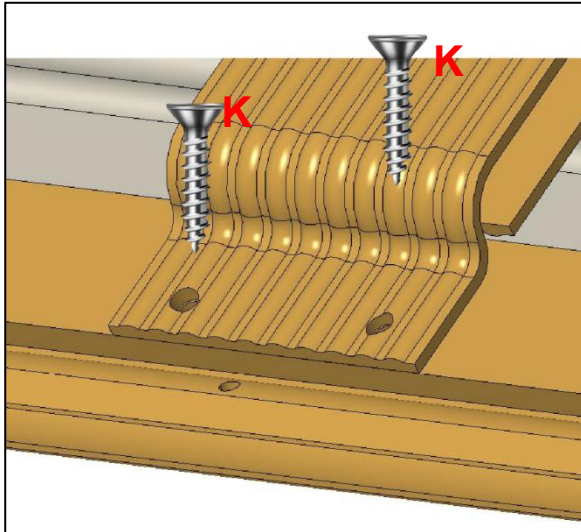
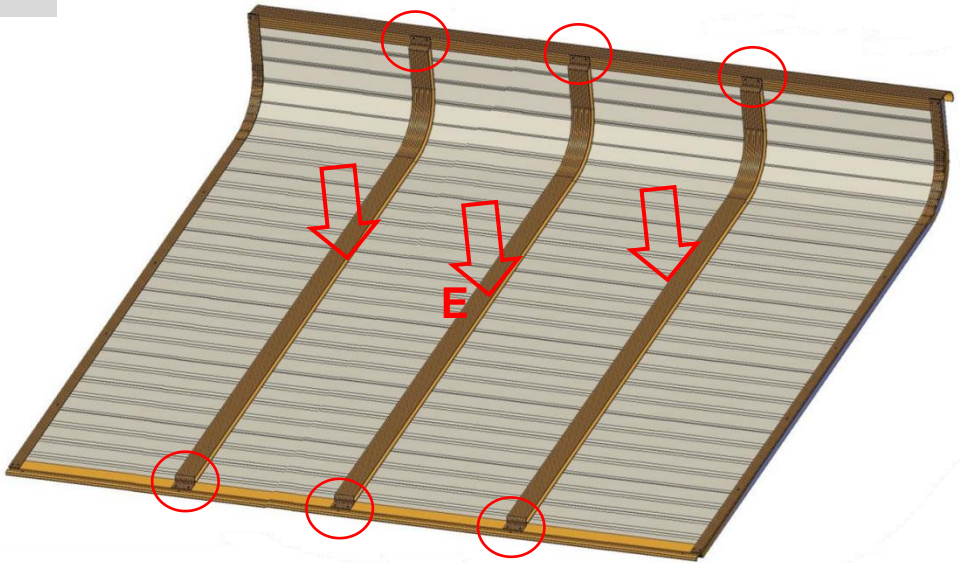
Assemble the aluminum alloy sheets.



1. Turn the whole product over; 2. Fix it with screws(K*8).

5

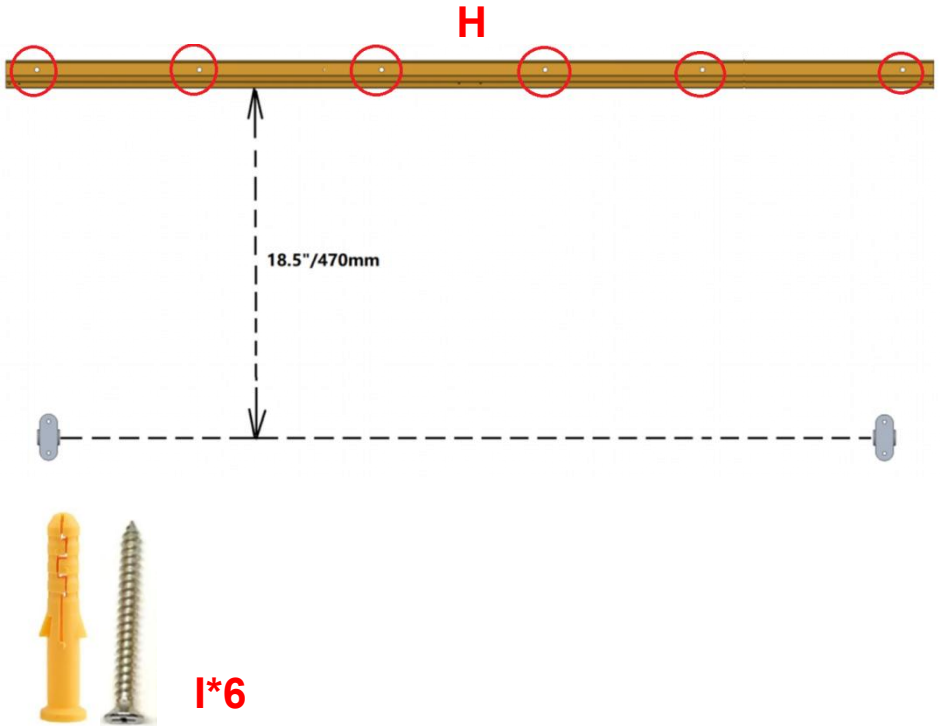
Insert the aluminum alloy sheets.



Install part E in the middle position of the aluminum alloy sheet and fix it with screws(K*12).

6

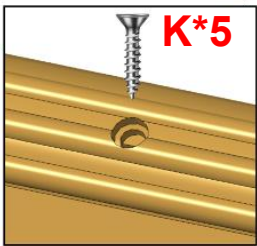
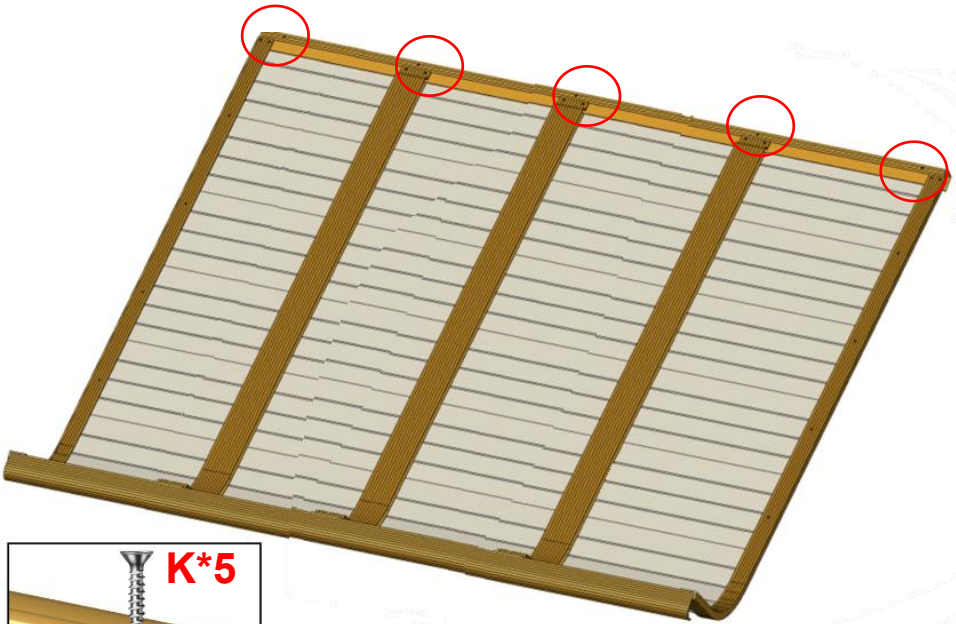
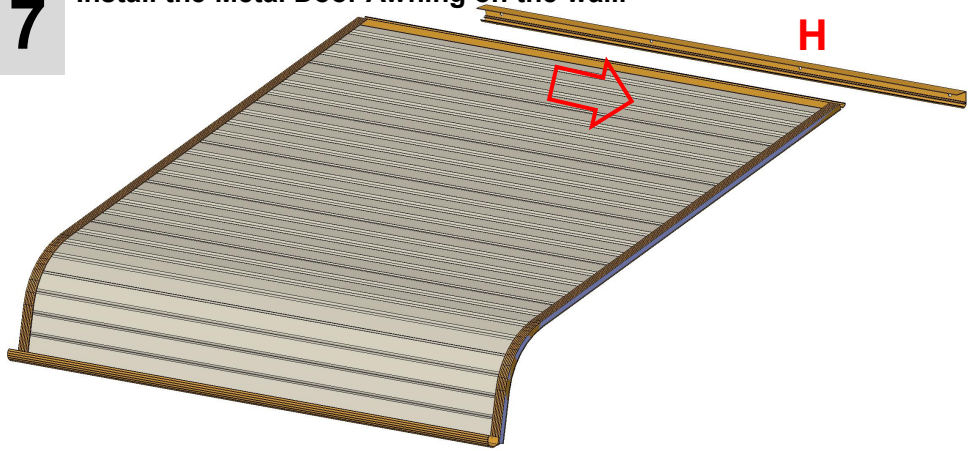
Drill holes in the wall.



First, mark the positioning holes on the wall for part H according to the above - recommended dimensions. Then, drill holes in the wall using a $\varnothing 6\sim\varnothing 8$ mm drill bit. Next, insert plastic plugs into the holes. Finally, install part H on the wall using wall - floor nails(I*6).

7

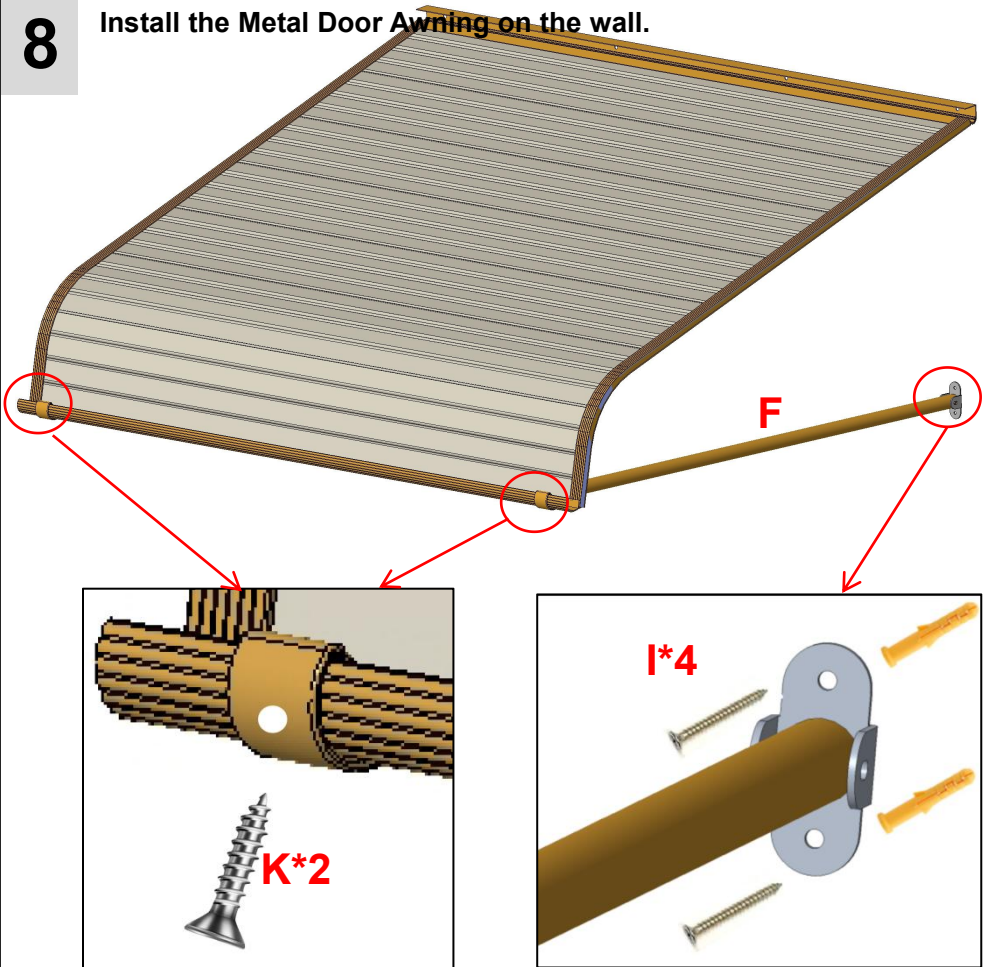
Install the Metal Door Awning on the wall.



Insert the aluminum alloy sheet into part H.

Lock the parts with screw(K*5).

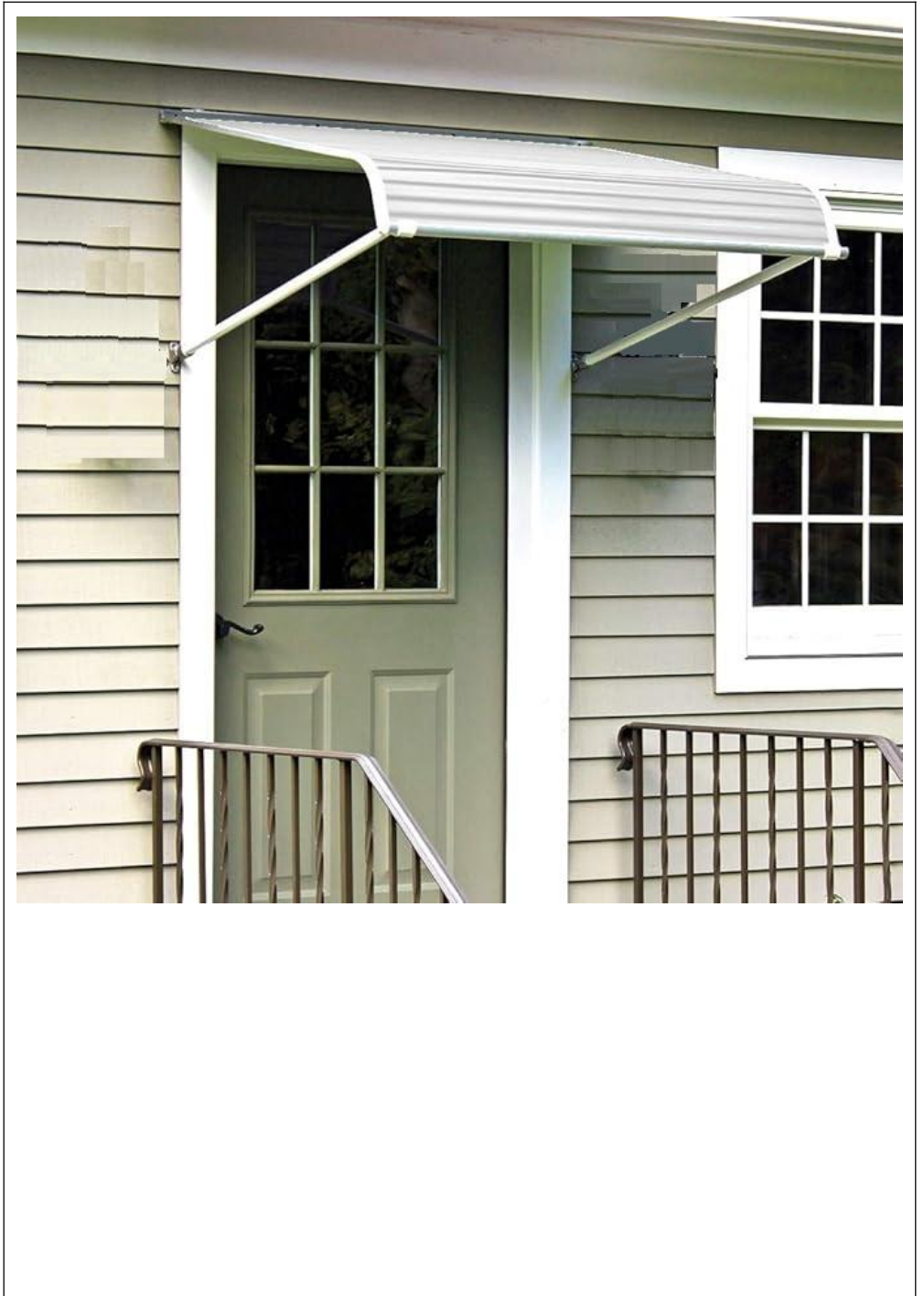
Note: There are 5 screw holes here, and you only need to fasten 2 of them.

8**Install the Metal Door Awning on the wall.**

1. Attach part(F*2) to the product.

2. Determine a suitable position by taking into account the actual sizes of the product and the door. Then, mark the positions of the fixing holes of part G on the wall.

3. Drill holes in the wall, insert plastic components, and then use screws to fix the product to the wall.



Snow Loads

The aluminum door canopies are manufactured from the highest - quality components available on the market today. They are designed to withstand normal weather conditions, including rain, sleet, snow, and wind. However, they are not designed to endure winds exceeding 30 miles per hour, snow loads of more than 12 inches of heavy, wet snow, or 24 inches of light snow. Additionally, they cannot withstand the impact force of snow and ice falling from an upper roof or piling up. This product will deliver excellent performance as long as it is installed correctly and used within its designed load - bearing limits.

Please remove snow promptly during use.

PRODUCT PARAMETER

Model	QL-60INCH
Material	Aluminum alloy
Colour	Silver
Shading area	60*42inch(1524*1066mm)
Maximum suitable width for doors/windows	47.2inch/1200mm

Manufacturer:Shanghaimuxinmuyeyouxiangongsi

Address:Shuangchenglu803nong11hao1602A-1609shi,baoshanqu, shanghai200000CN.

ECREP:E-CrossStuGmbH. MainzerLandstr.69,60329FrankfurtamMain.

UKREP:YHCONSULTINGLIMITED. C/OYHConsultingLimitedOffice147, CenturionHouse, LondonRoad, Staines-upon-Thames, Surrey, TW184AX ImportedtoAUS:SIHAOPTYLTD.

1ROKEVASTREETEASTWOODNSW2122Australia

ImportedtoUSA:SanvenTechnologyLtd.

Suite250,9166AnaheimPlace,RanchoCucamonga,CA91730



Technical Support and E-Warranty Certificate
www.vevor.com/support

VEVOR

Affordable. Reliable. Home Improvement.

METAL DOOR AWNING

USER MANUAL

MODEL:QL-60INCH

Technical Support and E-Warranty Certificate

www.vevor.com/support

VEVOR

Affordable. Reliable. Home Improvement.

METAL DOOR AWNING

MODEL:QL-60INCH



This is the original instruction, please read all manual instructions carefully before operating. VEVOR reserves a clear interpretation of our user manual. The appearance of the product shall be subject to the product you received. Please forgive us that we won't inform you again if there are any technology or software updates on our product.

SAFETY INSTRUCTIONS

WARNING:

Read this material before using this product. Failure to do so can result in serious injury.

Assembly precautions

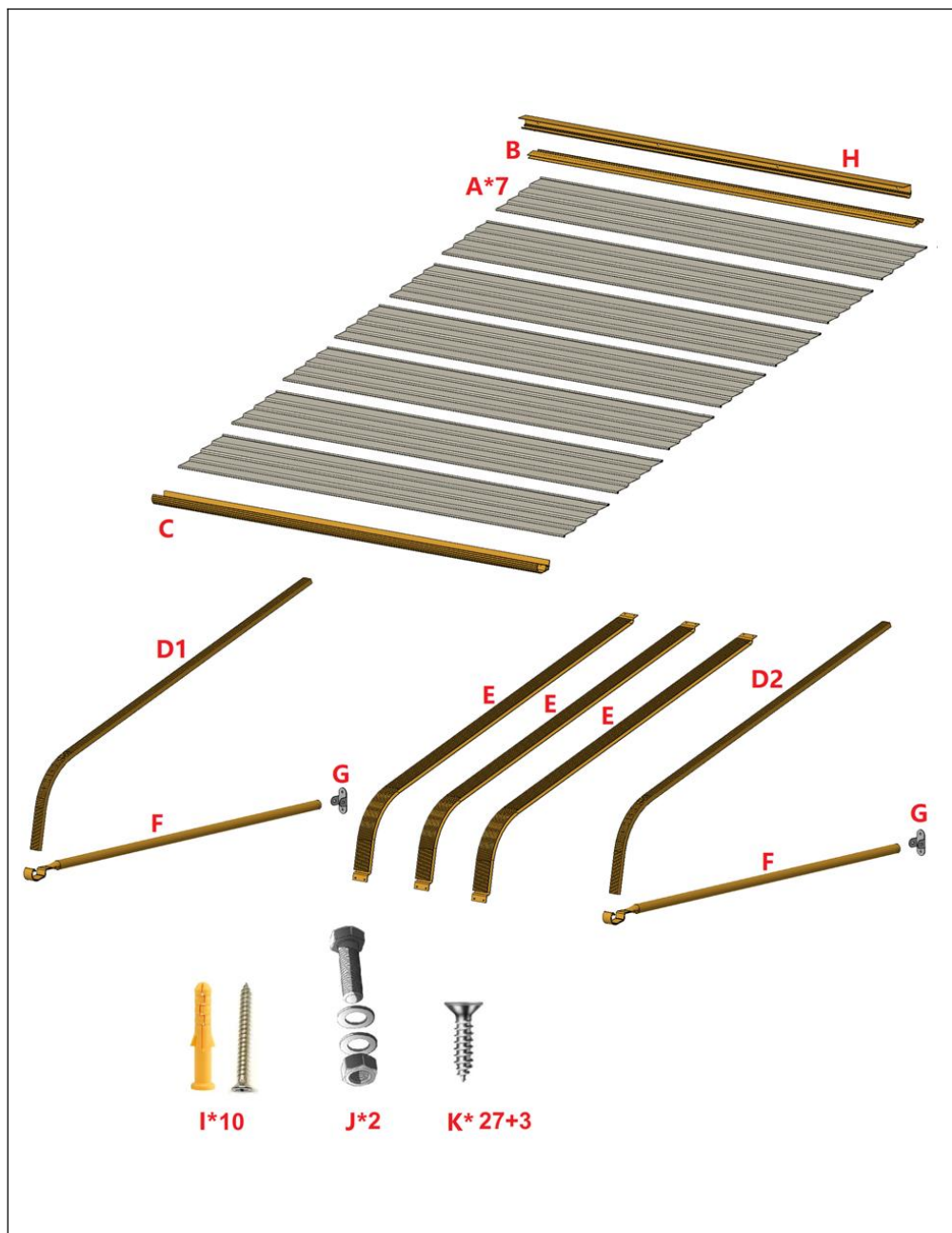
1. Assemble only according to these instructions. Improper assembly can create hazards.
2. Wear ANSI-approved safety goggles and heavy-duty work gloves during assembly.
3. Keep the assembly area clean and well-lit.
4. Keep bystanders out of the area during assembly.
5. Do not assemble if tired or when under the influence of alcohol, drugs or medication.
6. The product capabilities apply to properly and completely assembled products only.
7. Assemble on a flat, level, hard and smooth surface capable of safely supporting the Metal Door Awning.
8. For additional information regarding the parts listed in the following pages, please refer to the Assembly Diagram of this manual. Unwrap and separate all parts in a clean work area.




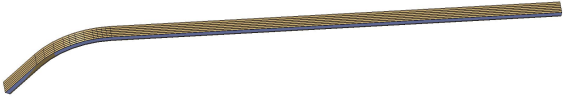
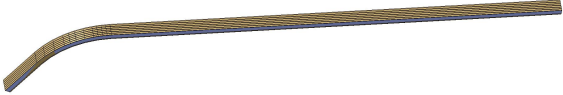


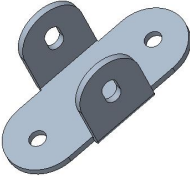



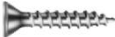
Use precautions

1. DO NOT SIT OR STAND ON THIS ITEM.
2. This product is not a toy. Do not allow children to play with or near this item.
3. Do not exceed specified weight capacities.
4. Use only on a flat, level, hard, and smooth surface that can safely support a fully loaded Metal Door Awning.
5. Use as intended only.
6. Do not use if parts are loose or damaged.
7. Spare parts such as screws are available.

SAVE THIS MANUAL

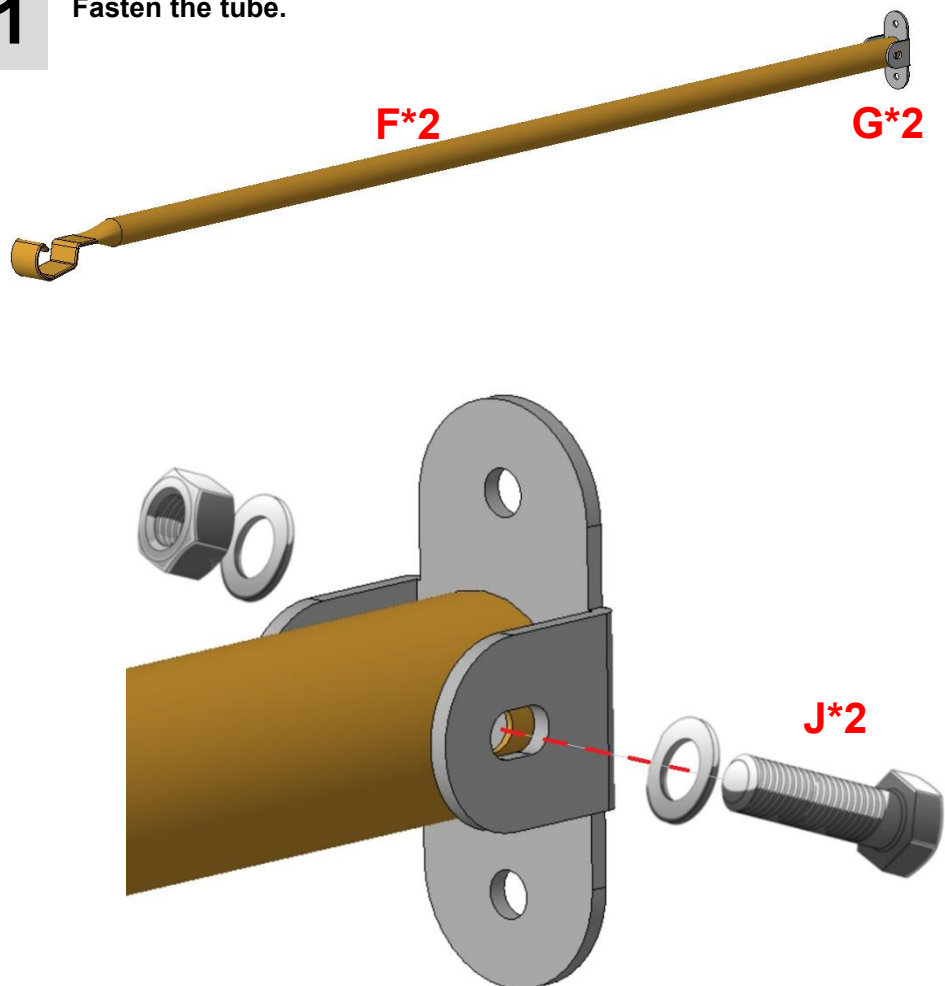
PARTS LIST



Serial number	Quantity	Part picture
A	7	
B	1	
C	1	
D1	1	
D1	1	
E	3	
F	2	
G	2	
H	1	
I	10	
J	2	
K	27+3	

ASSEMBLY STEP

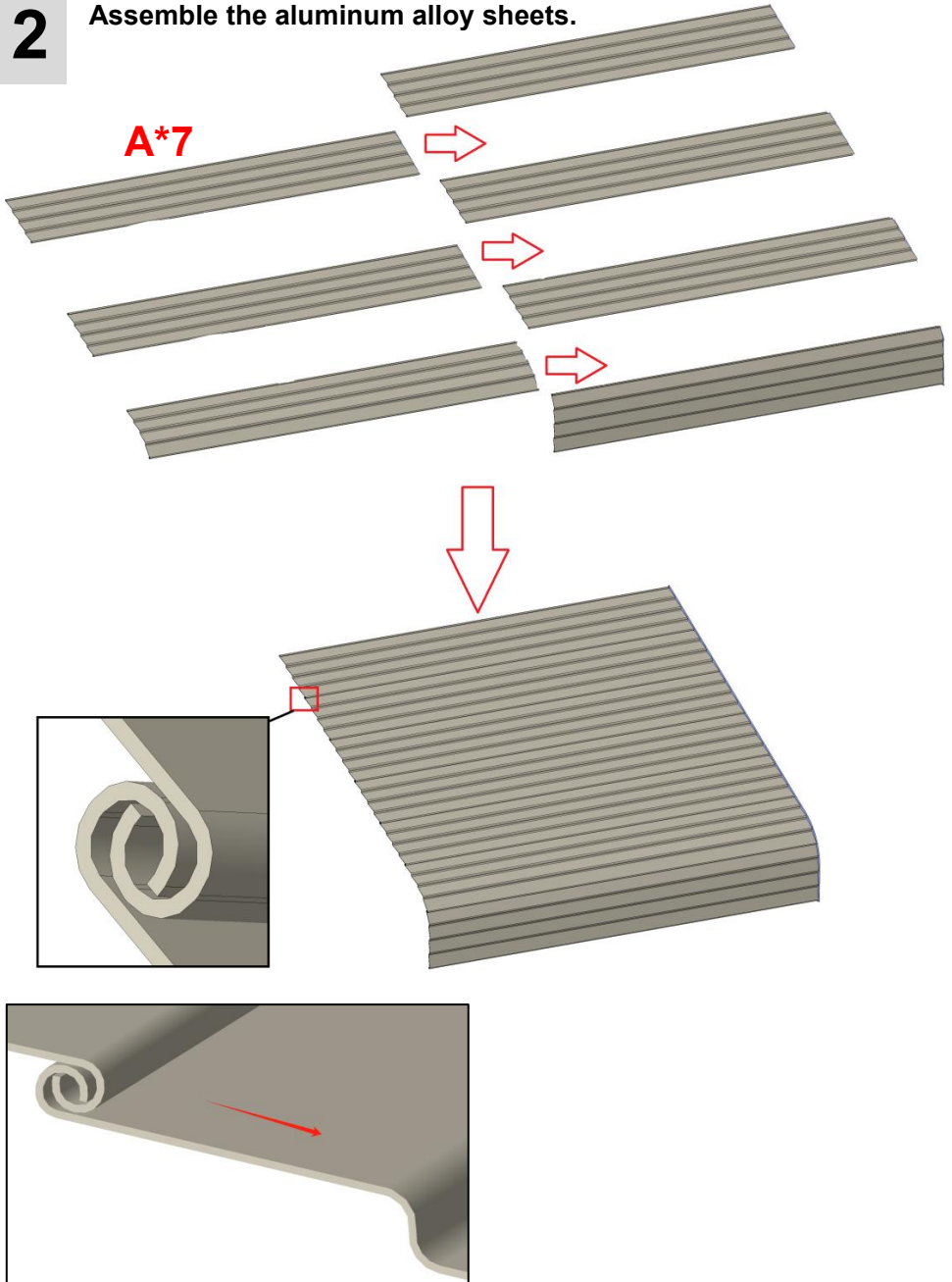
1 Fasten the tube.



Use screw(J*2) to fasten the tube(F*2) and the fixing part(G*2) together.

2

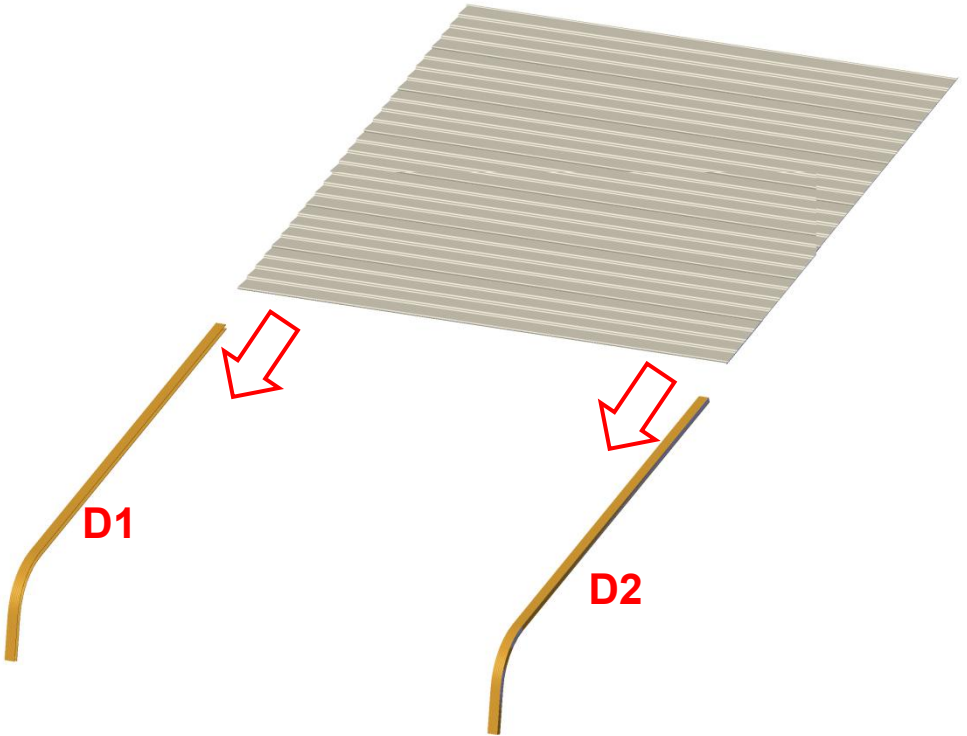
Assemble the aluminum alloy sheets.



Insert the aluminum alloy sheets(A*7) into each other in the direction of the arrow.

3

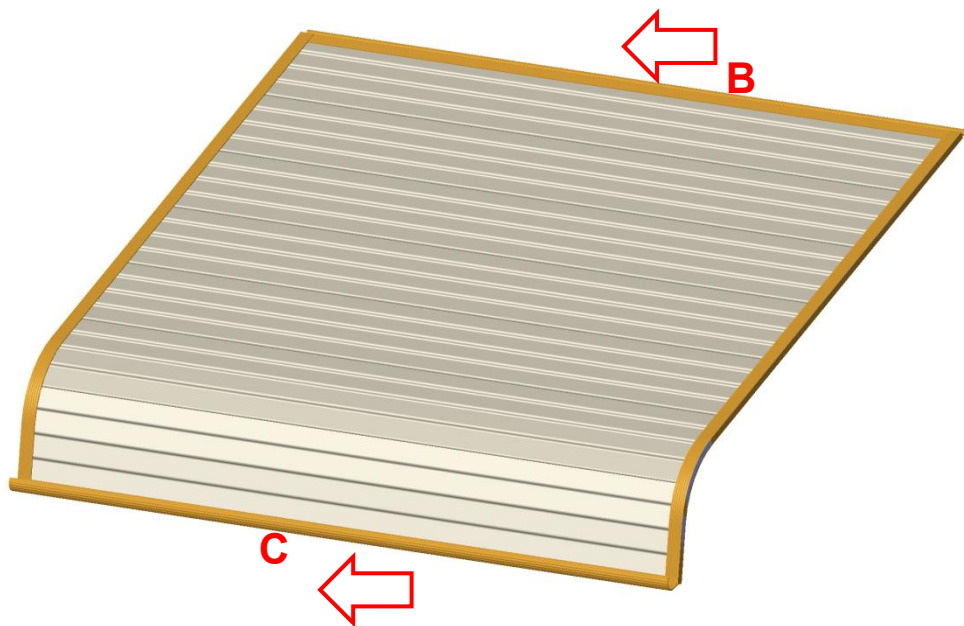
Assemble the aluminum alloy sheets.



Insert the aluminum alloy sheet(A) into D1 and D2 in the direction of the arrow.

4-1

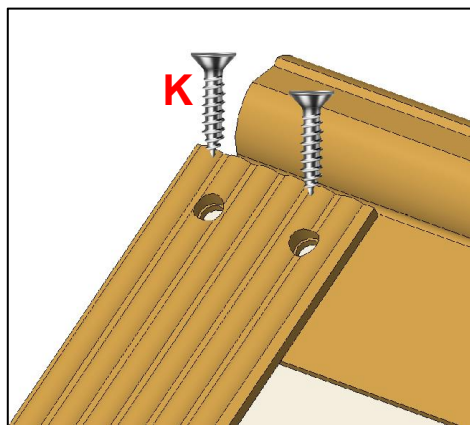
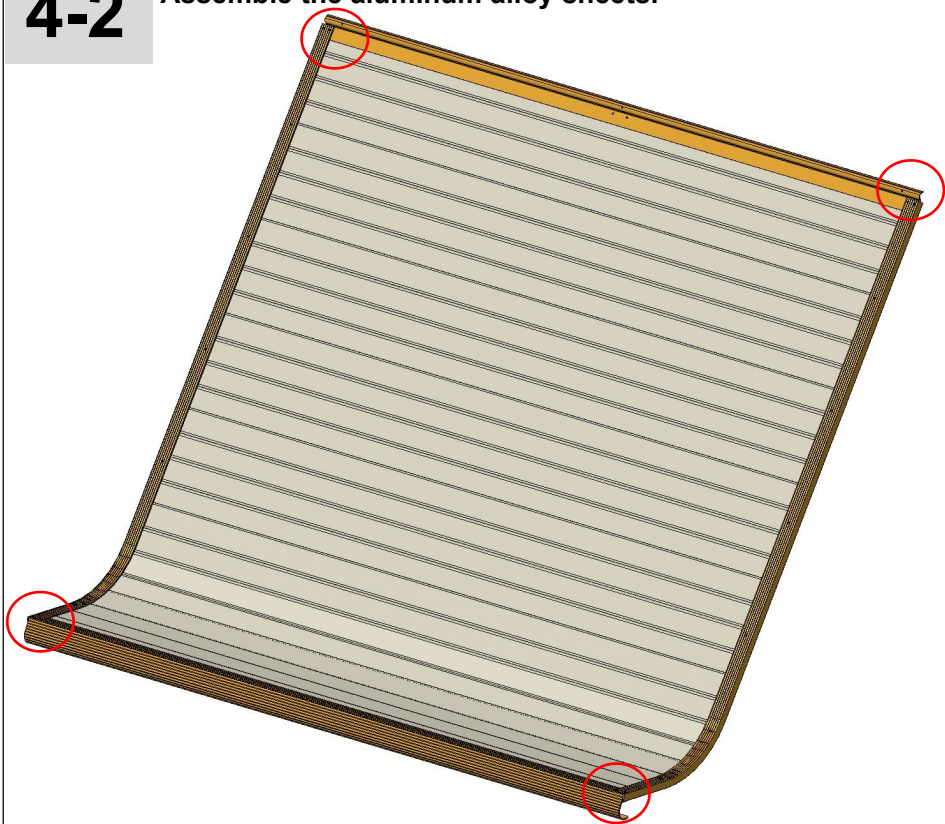
Assemble the aluminum alloy sheets.



Insert parts B and C into the aluminum alloy sheet(A).

4-2

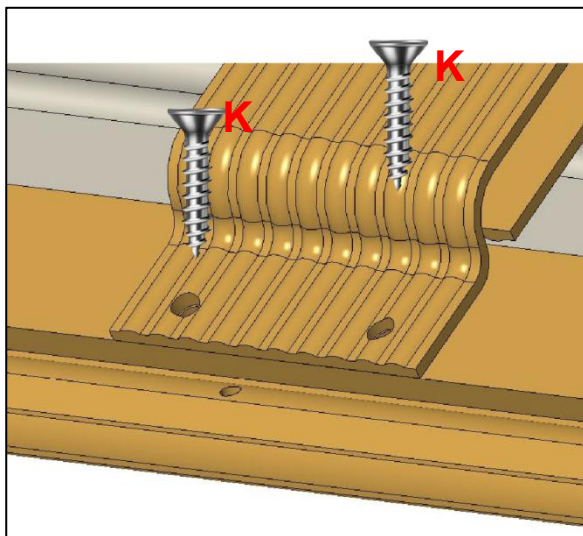
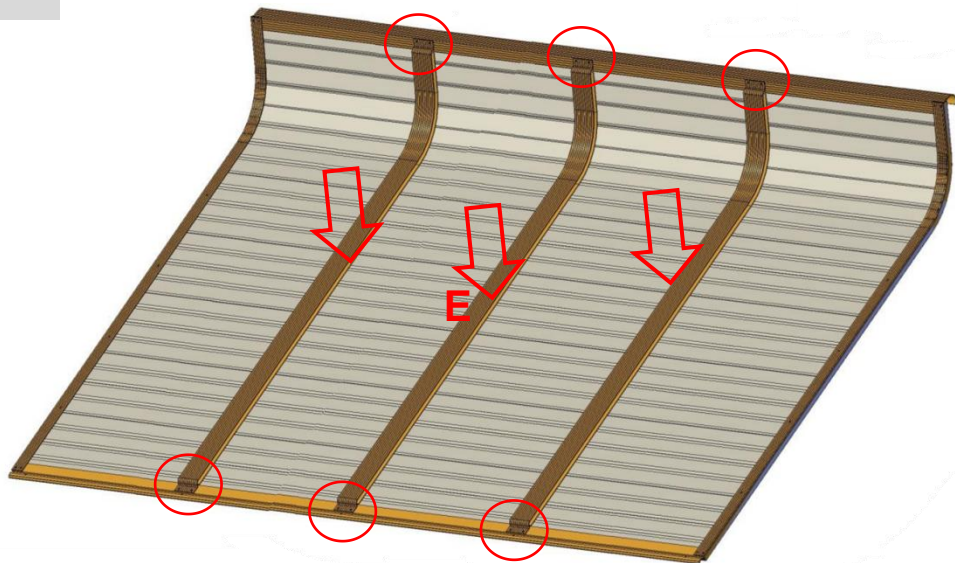
Assemble the aluminum alloy sheets.



1. Turn the whole product over; 2. Fix it with screws(K*8).

5

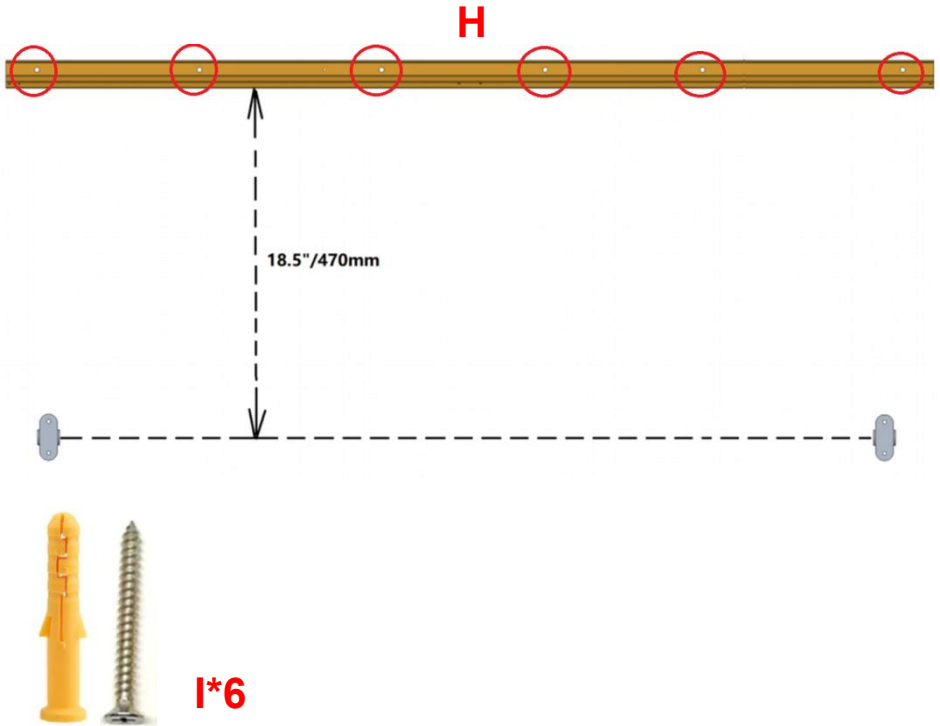
Insert the aluminum alloy sheets.



Install part E in the middle position of the aluminum alloy sheet and fix it with screws(K*12).

6

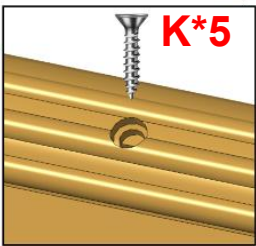
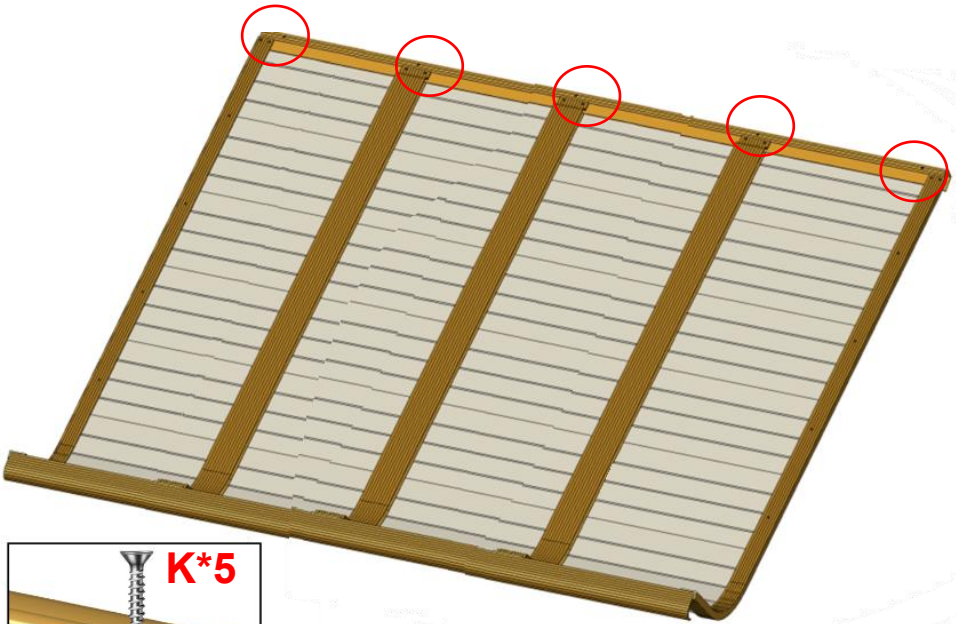
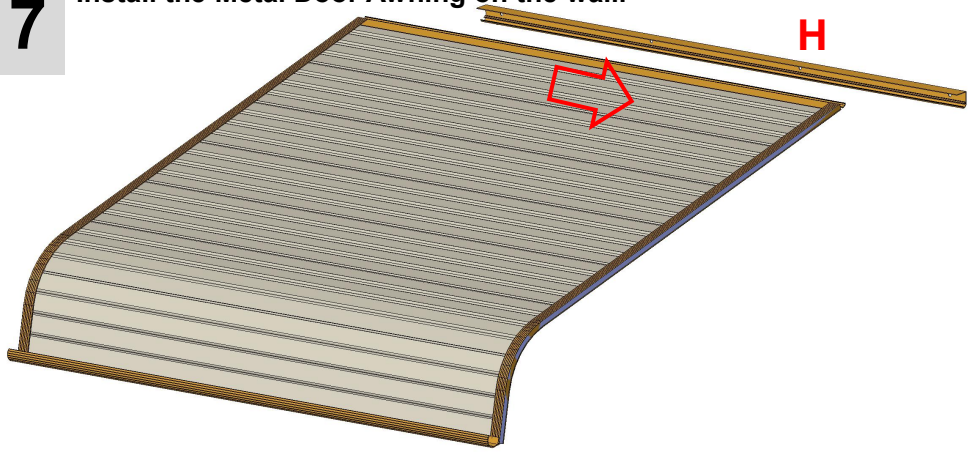
Drill holes in the wall.



First, mark the positioning holes on the wall for part H according to the above - recommended dimensions. Then, drill holes in the wall using a $\varnothing 6\sim\varnothing 8$ mm drill bit. Next, insert plastic plugs into the holes. Finally, install part H on the wall using wall - floor nails(I*6).

7

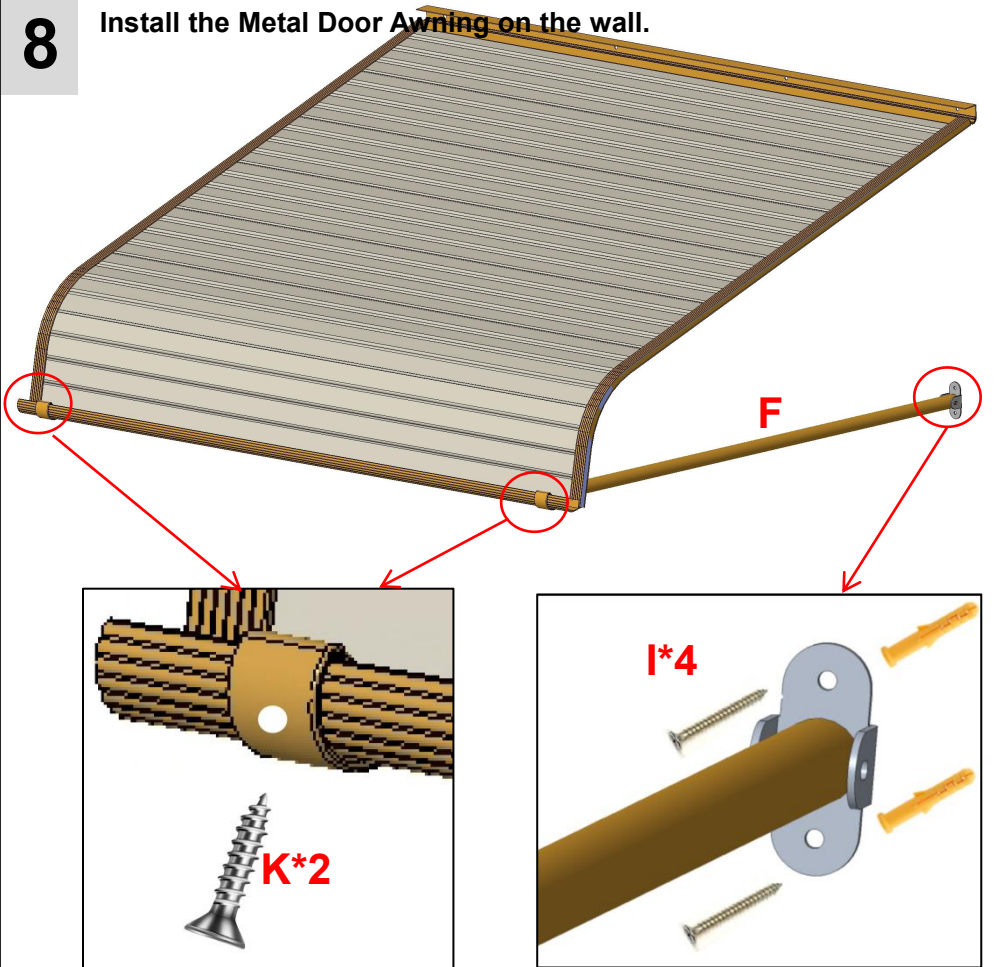
Install the Metal Door Awning on the wall.



Insert the aluminum alloy sheet into part H.

Lock the parts with screw(K*5).

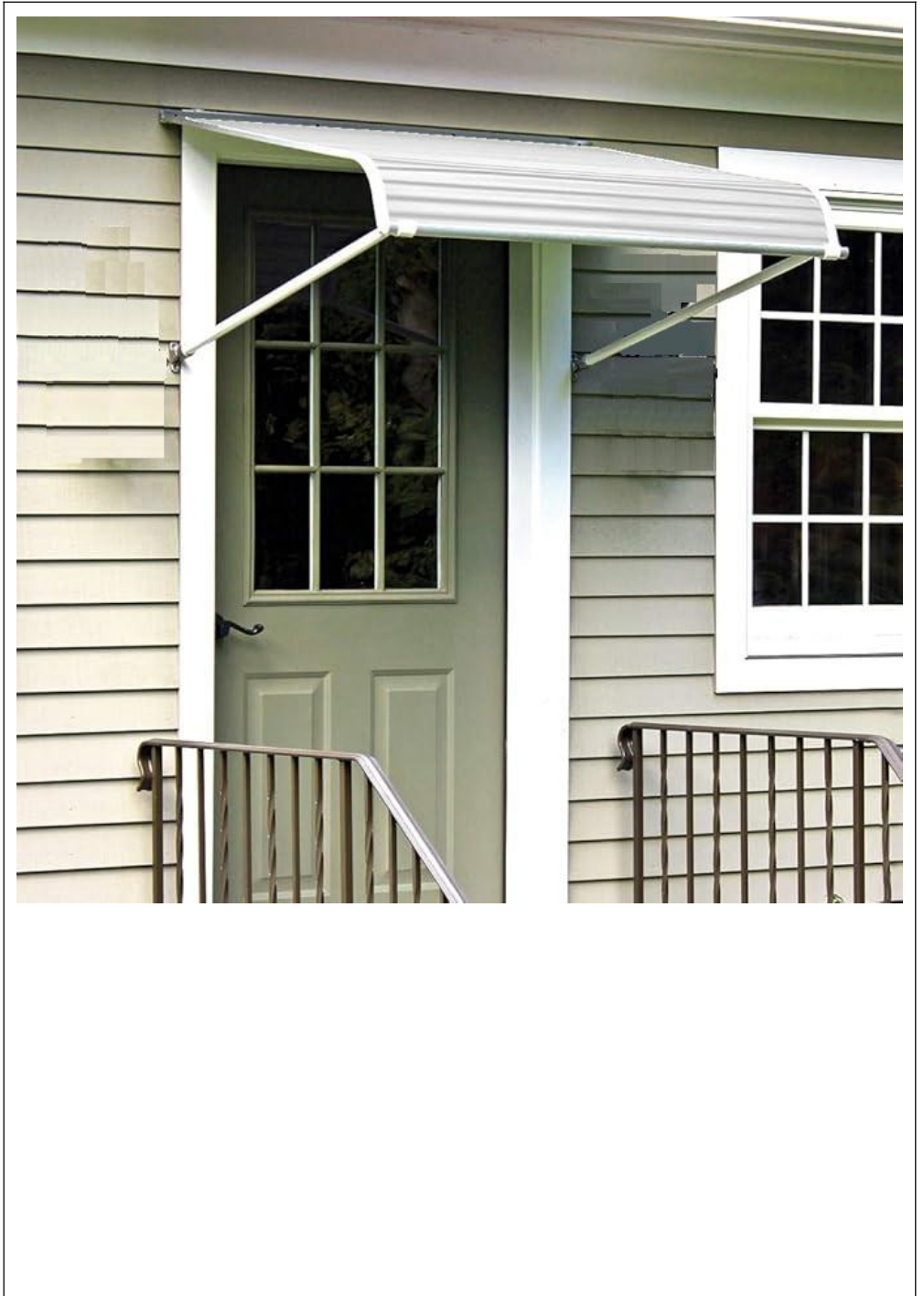
Note: There are 5 screw holes here, and you only need to fasten 2 of them.

8**Install the Metal Door Awning on the wall.**

1. Attach part(F*2) to the product.

2. Determine a suitable position by taking into account the actual sizes of the product and the door. Then, mark the positions of the fixing holes of part G on the wall.

3. Drill holes in the wall, insert plastic components, and then use screws to fix the product to the wall.



Snow Loads

The aluminum door canopies are manufactured from the highest - quality components available on the market today. They are designed to withstand normal weather conditions, including rain, sleet, snow, and wind. However, they are not designed to endure winds exceeding 30 miles per hour, snow loads of more than 12 inches of heavy, wet snow, or 24 inches of light snow. Additionally, they cannot withstand the impact force of snow and ice falling from an upper roof or piling up. This product will deliver excellent performance as long as it is installed correctly and used within its designed load - bearing limits.

Please remove snow promptly during use.

PRODUCT PARAMETER

Model	QL-60INCH
Material	Aluminum alloy
Colour	Silver
Shading area	60*42inch(1524*1066mm)
Maximum suitable width for doors/windows	47.2inch/1200mm

Manufacturer:Shanghaimuxinmuyeyouxiangongsi

Address:Shuangchenglu803nong11hao1602A-1609shi,baoshanqu, shanghai200000CN.

ECREP:E-CrossStuGmbH. MainzerLandstr.69,60329FrankfurtamMain.

UKREP:YHCONSULTINGLIMITED. C/OYHConsultingLimitedOffice147, CenturionHouse, LondonRoad, Staines-upon-Thames, Surrey, TW184AX ImportedtoAUS:SIHAOPTYLTD.

1ROKEVASTREETEASTWOODNSW2122Australia

ImportedtoUSA:SanvenTechnologyLtd.

Suite250,9166AnaheimPlace,RanchoCucamonga,CA91730



Technical Support and E-Warranty Certificate
www.vevor.com/support

VEVOR

Affordable. Reliable. Home Improvement.

METAL DOOR AWNING

USER MANUAL

MODEL:QL-60INCH

Technical Support and E-Warranty Certificate

www.vevor.com/support

VEVOR

Affordable. Reliable. Home Improvement.

METAL DOOR AWNING

MODEL:QL-60INCH



This is the original instruction, please read all manual instructions carefully before operating. VEVOR reserves a clear interpretation of our user manual. The appearance of the product shall be subject to the product you received. Please forgive us that we won't inform you again if there are any technology or software updates on our product.

SAFETY INSTRUCTIONS

WARNING:

Read this material before using this product. Failure to do so can result in serious injury.

Assembly precautions

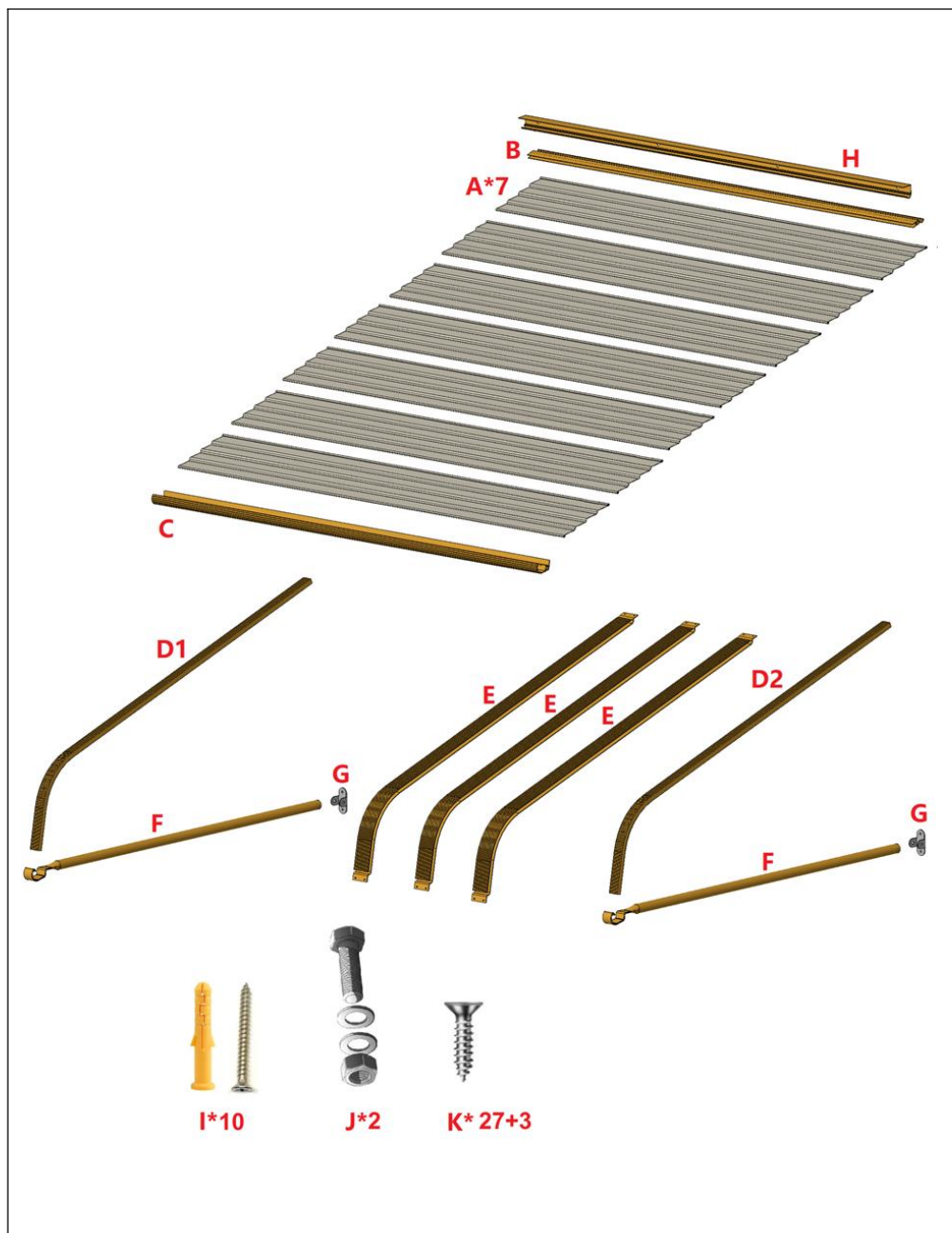
1. Assemble only according to these instructions. Improper assembly can create hazards.
2. Wear ANSI-approved safety goggles and heavy-duty work gloves during assembly.
3. Keep the assembly area clean and well-lit.
4. Keep bystanders out of the area during assembly.
5. Do not assemble if tired or when under the influence of alcohol, drugs or medication.
6. The product capabilities apply to properly and completely assembled products only.
7. Assemble on a flat, level, hard and smooth surface capable of safely supporting the Metal Door Awning.
8. For additional information regarding the parts listed in the following pages, please refer to the Assembly Diagram of this manual. Unwrap and separate all parts in a clean work area.




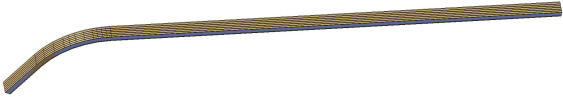
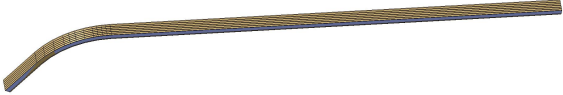


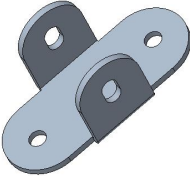



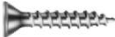
Use precautions

1. DO NOT SIT OR STAND ON THIS ITEM.
2. This product is not a toy. Do not allow children to play with or near this item.
3. Do not exceed specified weight capacities.
4. Use only on a flat, level, hard, and smooth surface that can safely support a fully loaded Metal Door Awning.
5. Use as intended only.
6. Do not use if parts are loose or damaged.
7. Spare parts such as screws are available.

SAVE THIS MANUAL

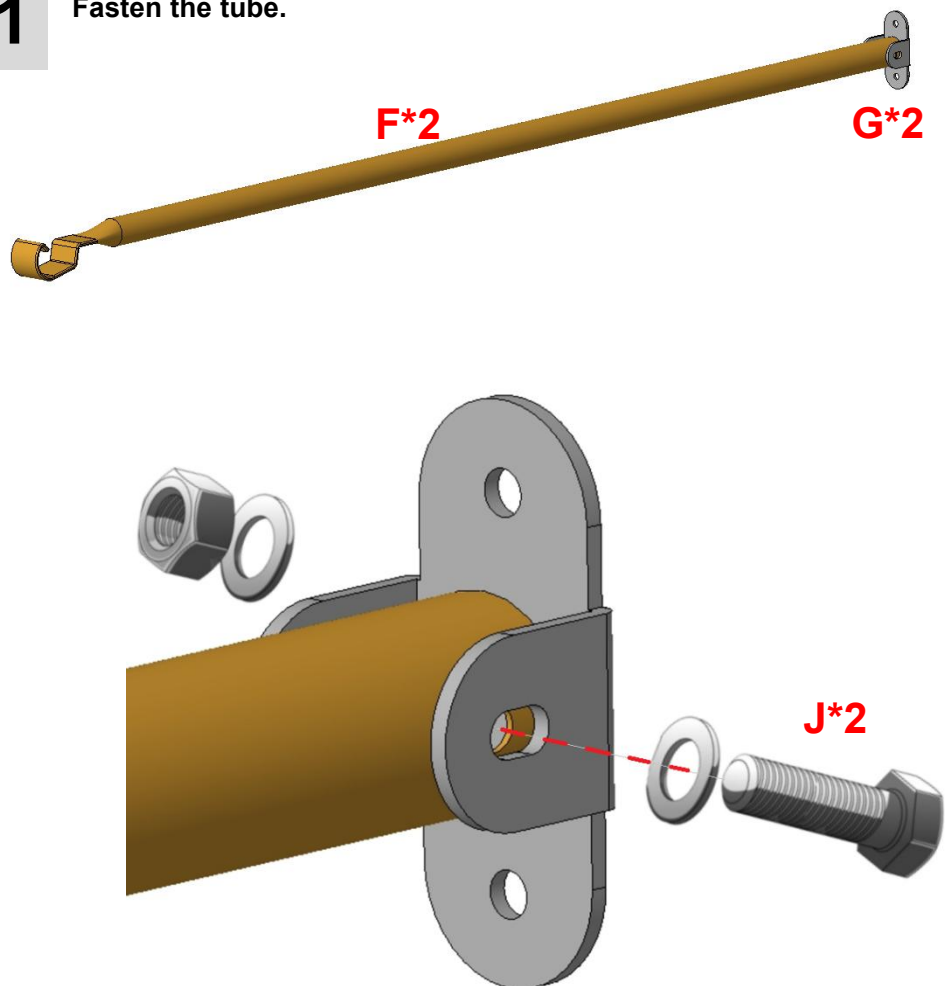
PARTS LIST



Serial number	Quantity	Part picture
A	7	
B	1	
C	1	
D1	1	
D1	1	
E	3	
F	2	
G	2	
H	1	
I	10	
J	2	
K	27+3	

ASSEMBLY STEP

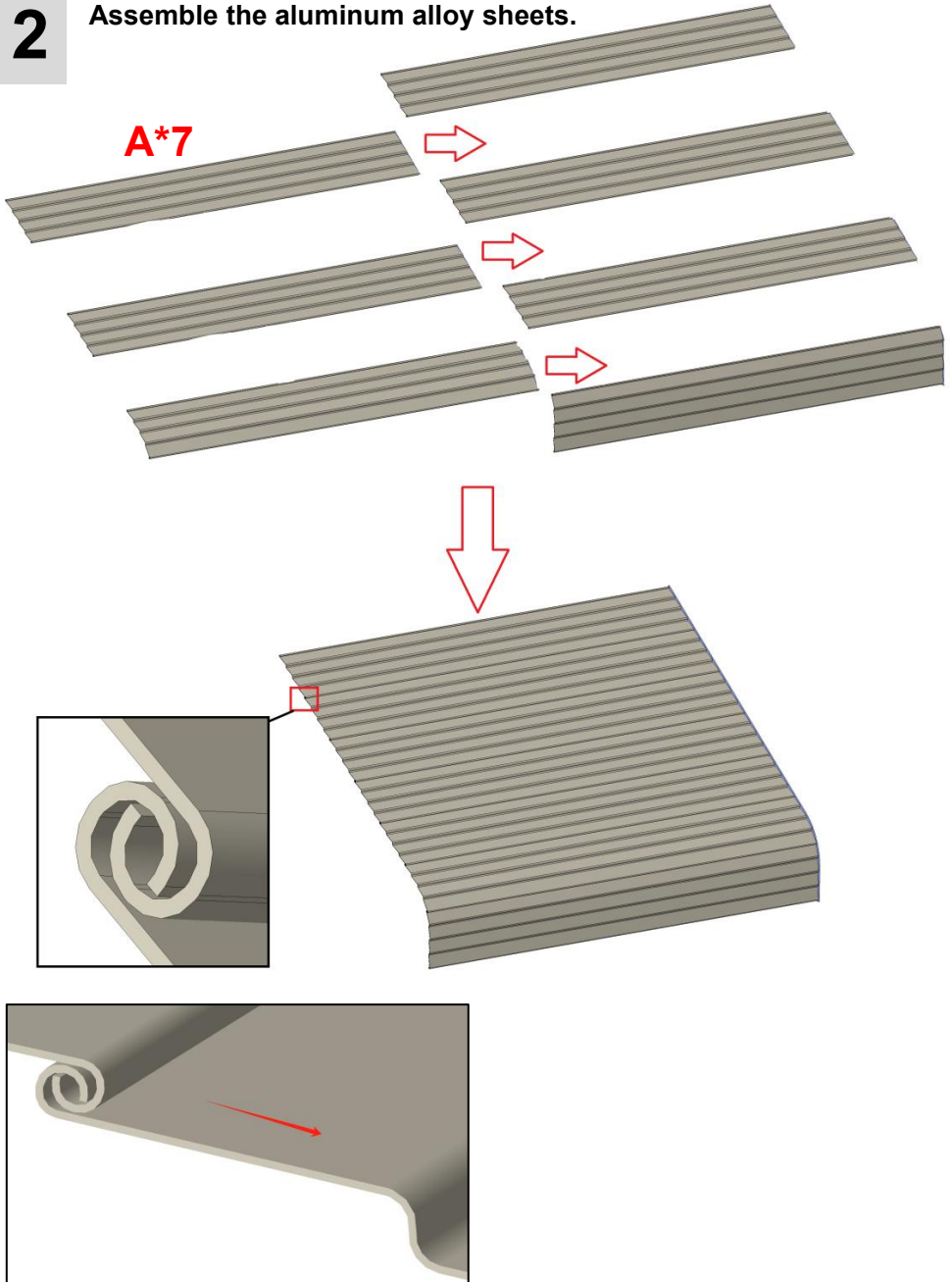
1 Fasten the tube.



Use screw(J*2) to fasten the tube(F*2) and the fixing part(G*2) together.

2

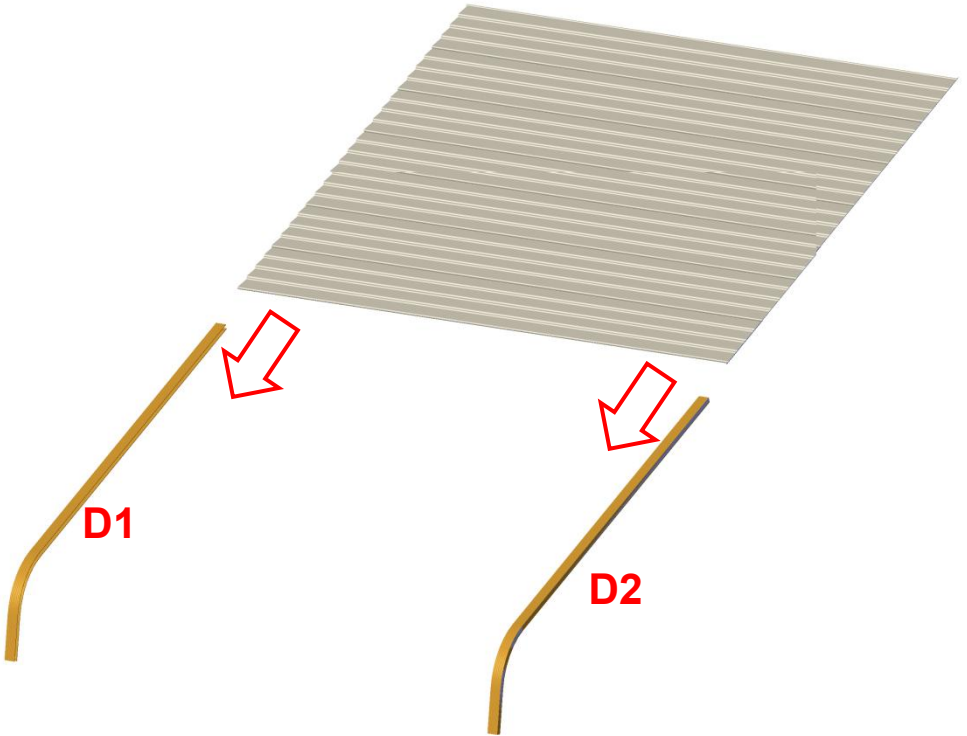
Assemble the aluminum alloy sheets.



Insert the aluminum alloy sheets(A*7) into each other in the direction of the arrow.

3

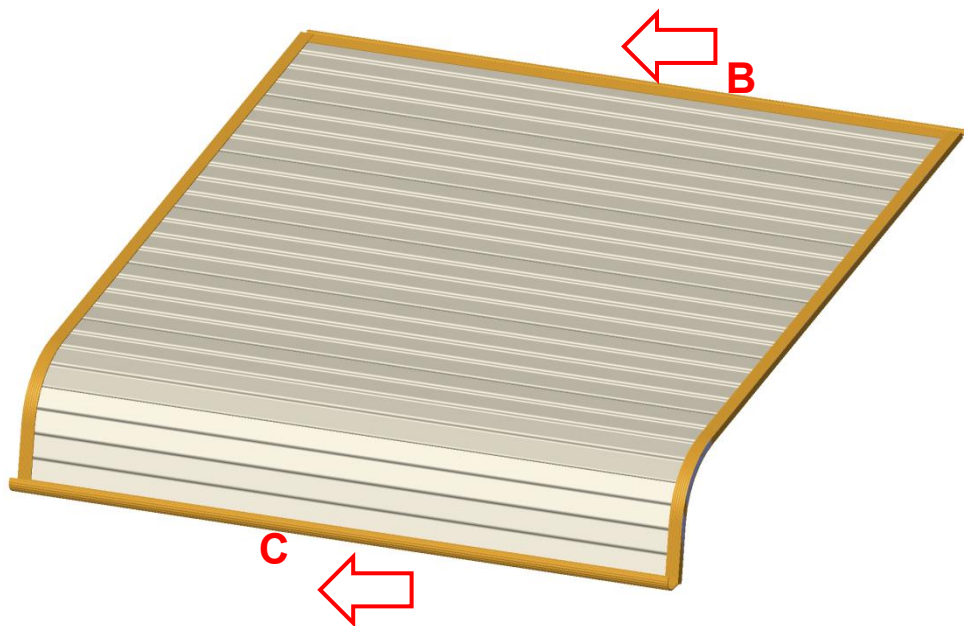
Assemble the aluminum alloy sheets.



Insert the aluminum alloy sheet(A) into D1 and D2 in the direction of the arrow.

4-1

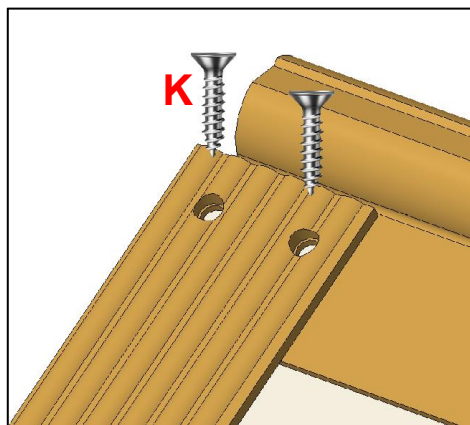
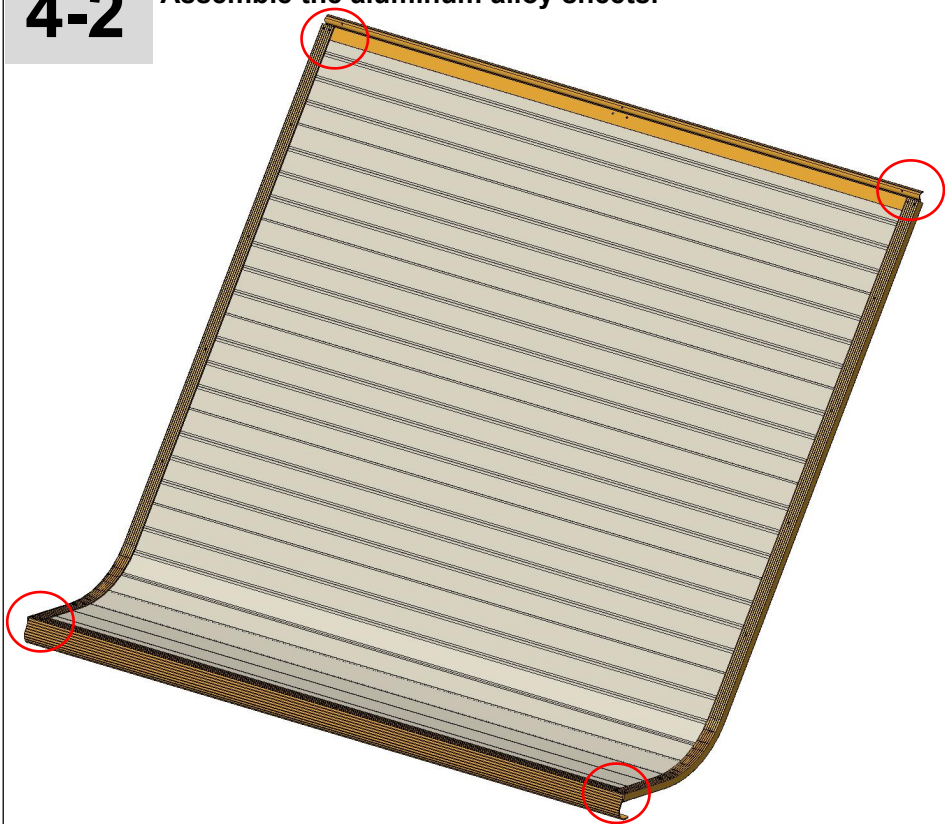
Assemble the aluminum alloy sheets.



Insert parts B and C into the aluminum alloy sheet(A).

4-2

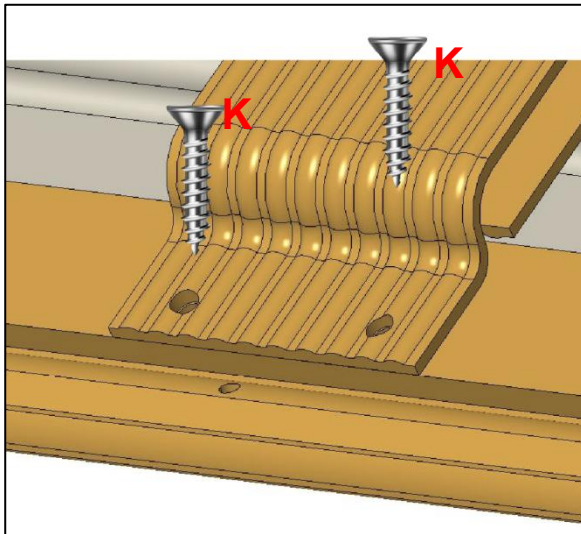
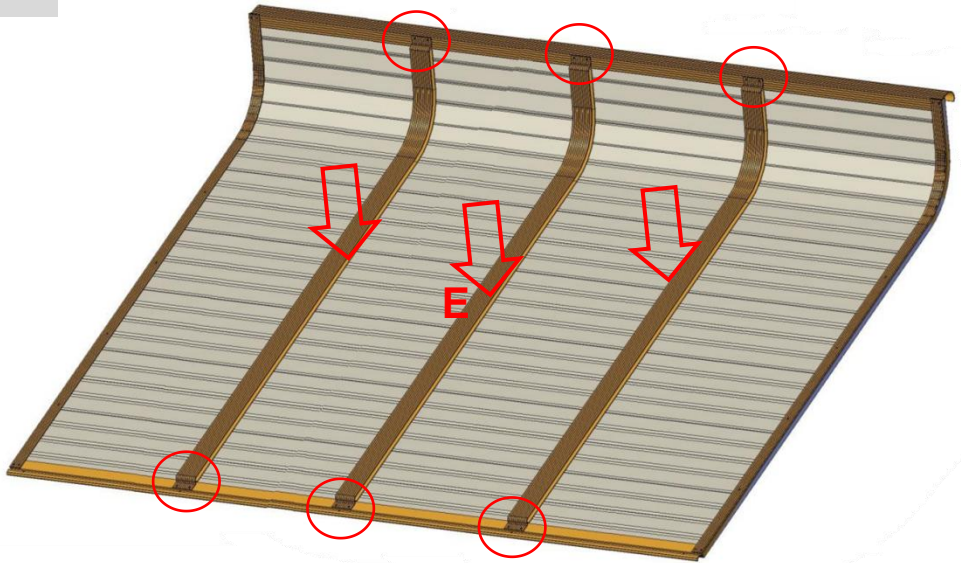
Assemble the aluminum alloy sheets.



1. Turn the whole product over; 2. Fix it with screws(K*8).

5

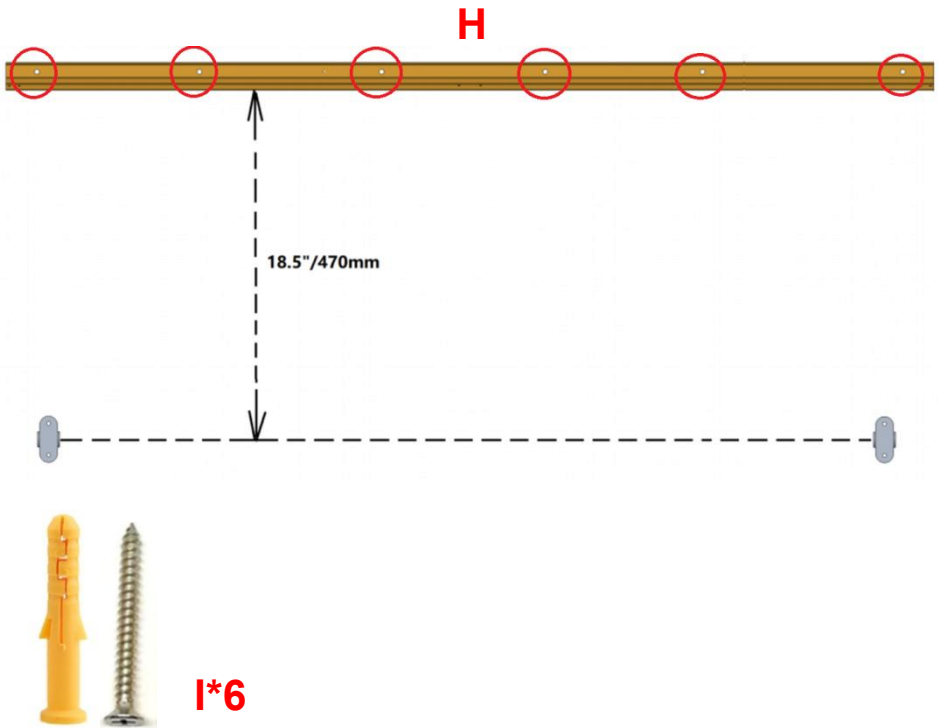
Insert the aluminum alloy sheets.



Install part E in the middle position of the aluminum alloy sheet and fix it with screws(K*12).

6

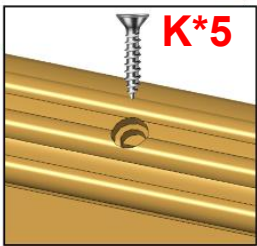
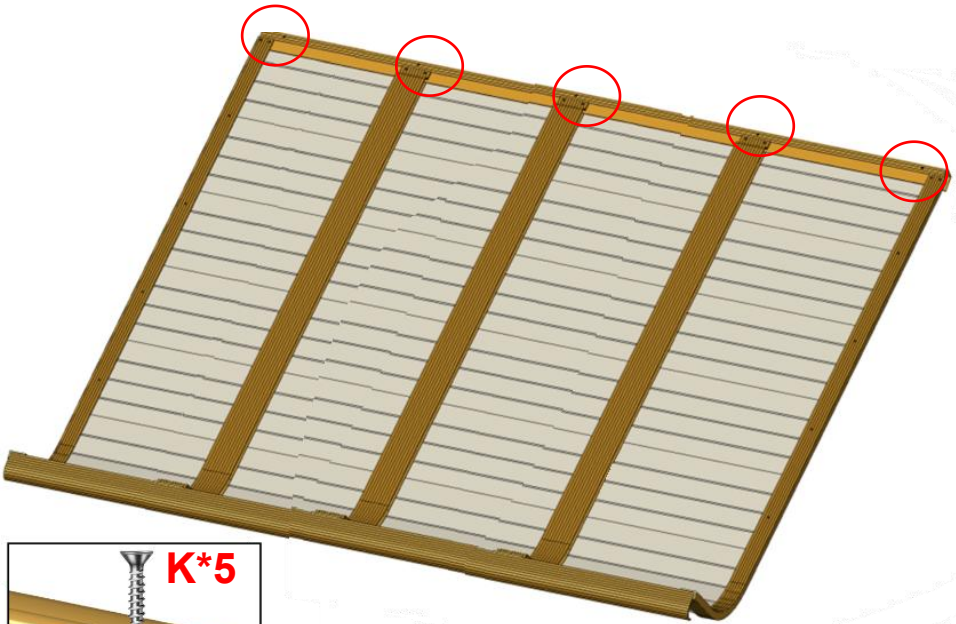
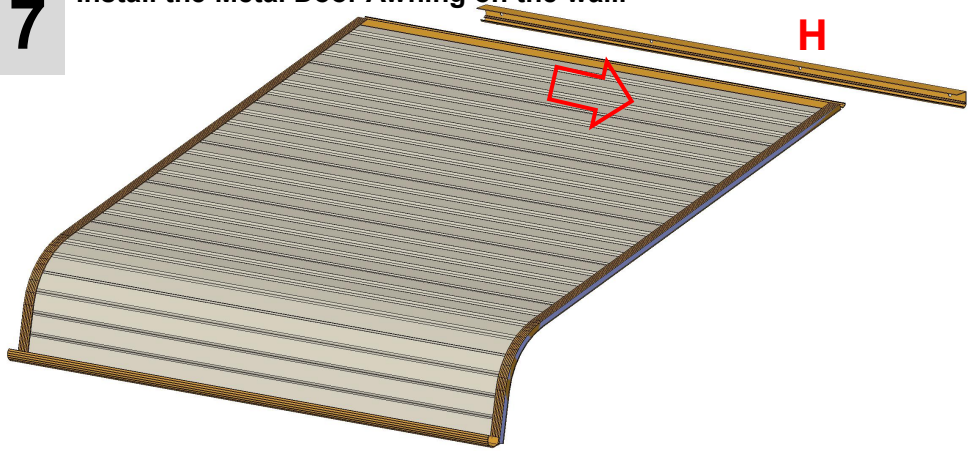
Drill holes in the wall.



First, mark the positioning holes on the wall for part H according to the above - recommended dimensions. Then, drill holes in the wall using a $\varnothing 6\sim\varnothing 8$ mm drill bit. Next, insert plastic plugs into the holes. Finally, install part H on the wall using wall - floor nails(I*6).

7

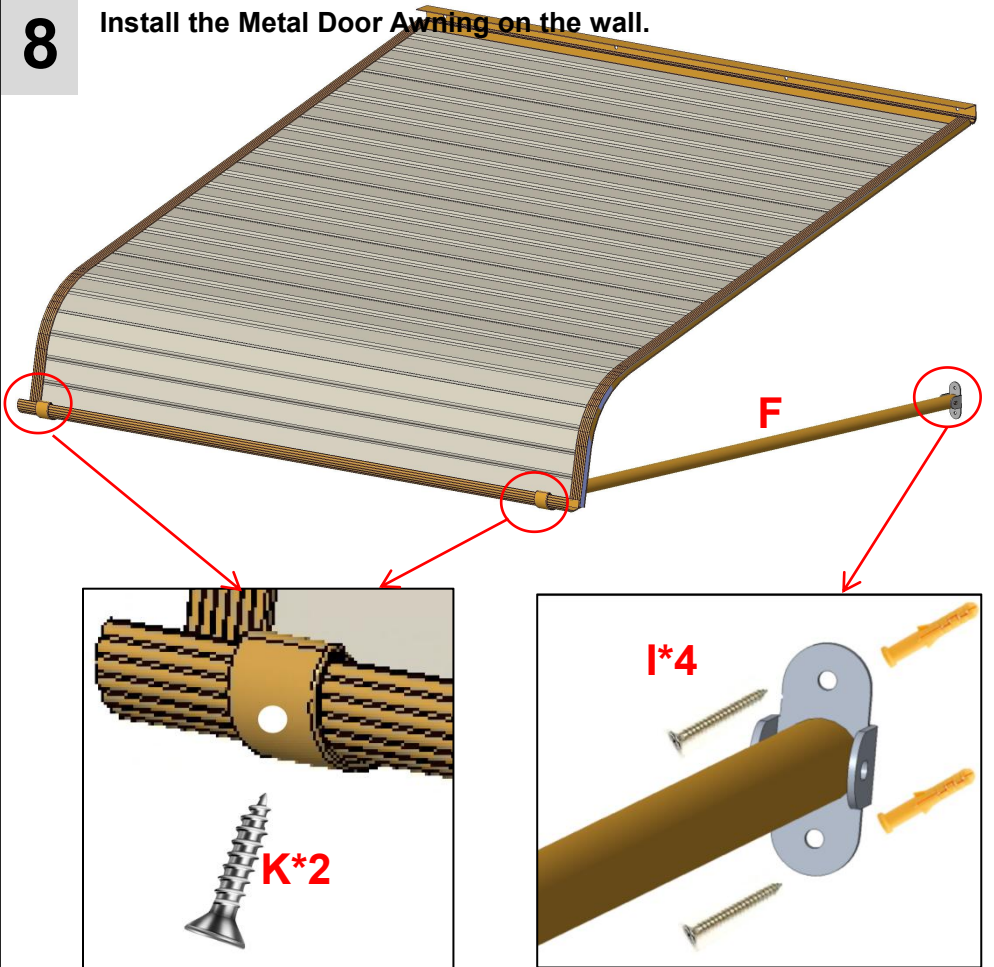
Install the Metal Door Awning on the wall.



Insert the aluminum alloy sheet into part H.

Lock the parts with screw(K*5).

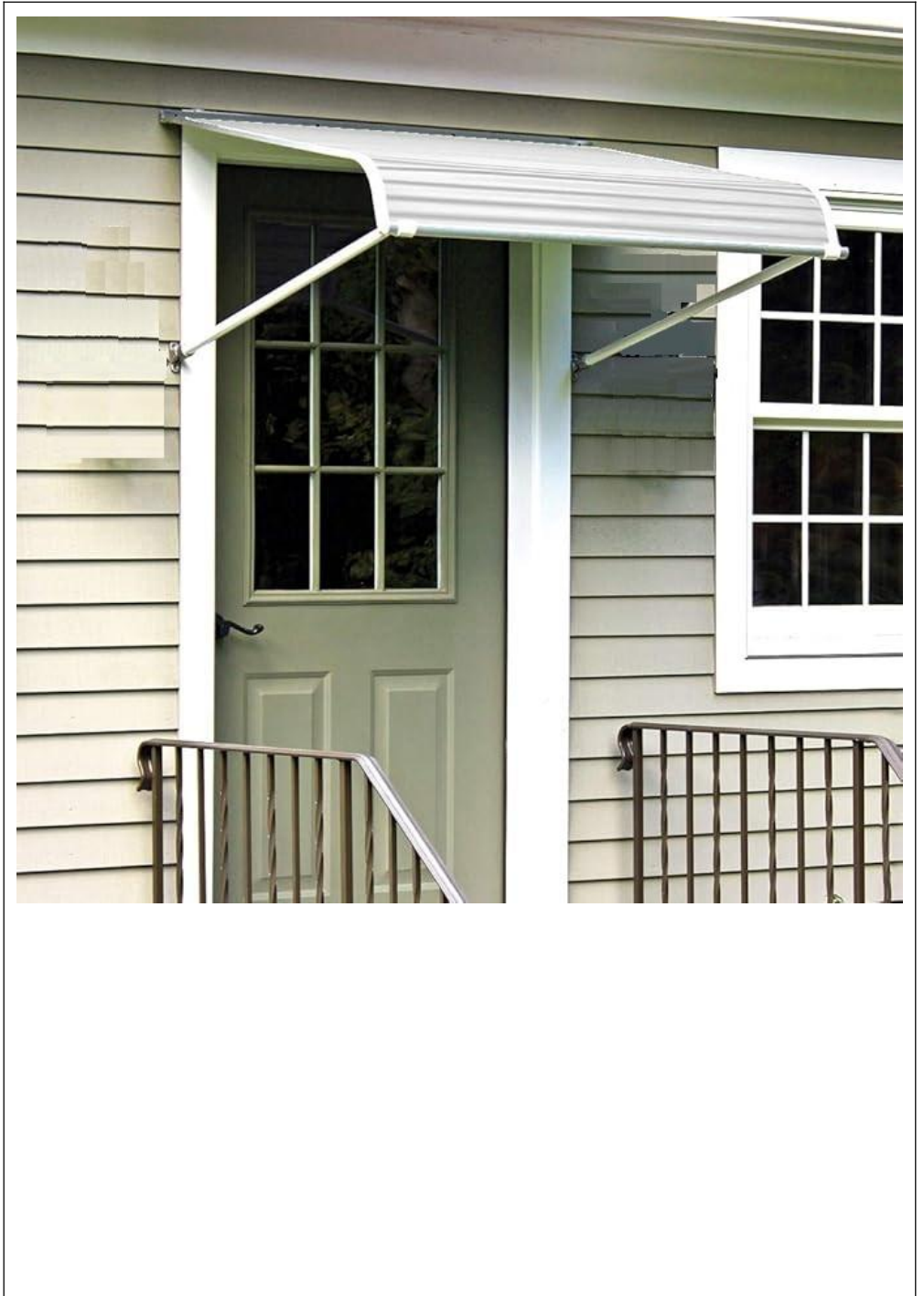
Note: There are 5 screw holes here, and you only need to fasten 2 of them.

8**Install the Metal Door Awning on the wall.**

1. Attach part(F*2) to the product.

2. Determine a suitable position by taking into account the actual sizes of the product and the door. Then, mark the positions of the fixing holes of part G on the wall.

3. Drill holes in the wall, insert plastic components, and then use screws to fix the product to the wall.



Snow Loads

The aluminum door canopies are manufactured from the highest - quality components available on the market today. They are designed to withstand normal weather conditions, including rain, sleet, snow, and wind. However, they are not designed to endure winds exceeding 30 miles per hour, snow loads of more than 12 inches of heavy, wet snow, or 24 inches of light snow. Additionally, they cannot withstand the impact force of snow and ice falling from an upper roof or piling up. This product will deliver excellent performance as long as it is installed correctly and used within its designed load - bearing limits.

Please remove snow promptly during use.

PRODUCT PARAMETER

Model	QL-60INCH
Material	Aluminum alloy
Colour	Silver
Shading area	60*42inch(1524*1066mm)
Maximum suitable width for doors/windows	47.2inch/1200mm

Manufacturer:Shanghaimuxinmuyeyouxiangongsi

Address:Shuangchenglu803nong11hao1602A-1609shi,baoshanqu, shanghai200000CN.

ECREP:E-CrossStuGmbH. MainzerLandstr.69,60329FrankfurtamMain.

UKREP:YHCONSULTINGLIMITED. C/OYHConsultingLimitedOffice147, CenturionHouse, LondonRoad, Staines-upon-Thames, Surrey, TW184AX ImportedtoAUS:SIHAOPTYLTD.

1ROKEVASTREETEASTWOODNSW2122Australia

ImportedtoUSA:SanvenTechnologyLtd.

Suite250,9166AnaheimPlace,RanchoCucamonga,CA91730



Technical Support and E-Warranty Certificate
www.vevor.com/support

VEVOR

Affordable. Reliable. Home Improvement.

METAL DOOR AWNING

USER MANUAL

MODEL:QL-60INCH

Technical Support and E-Warranty Certificate

www.vevor.com/support

VEVOR

Affordable. Reliable. Home Improvement.

METAL DOOR AWNING

MODEL:QL-60INCH



This is the original instruction, please read all manual instructions carefully before operating. VEVOR reserves a clear interpretation of our user manual. The appearance of the product shall be subject to the product you received. Please forgive us that we won't inform you again if there are any technology or software updates on our product.

SAFETY INSTRUCTIONS

WARNING:

Read this material before using this product. Failure to do so can result in serious injury.

Assembly precautions

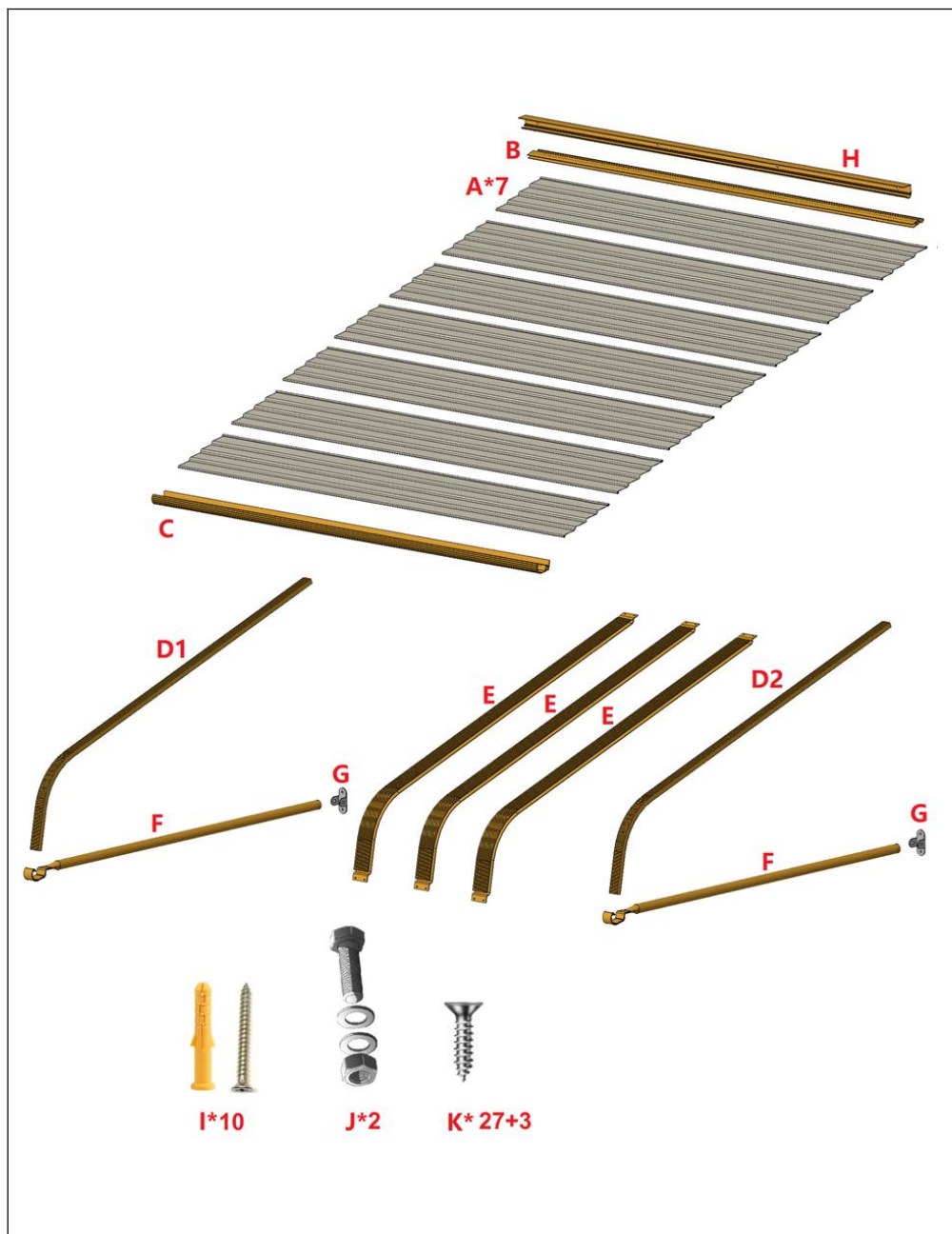
1. Assemble only according to these instructions. Improper assembly can create hazards.
2. Wear ANSI-approved safety goggles and heavy-duty work gloves during assembly.
3. Keep the assembly area clean and well-lit.
4. Keep bystanders out of the area during assembly.
5. Do not assemble if tired or when under the influence of alcohol, drugs or medication.
6. The product capabilities apply to properly and completely assembled products only.
7. Assemble on a flat, level, hard and smooth surface capable of safely supporting the Metal Door Awning.
8. For additional information regarding the parts listed in the following pages, please refer to the Assembly Diagram of this manual. Unwrap and separate all parts in a clean work area.




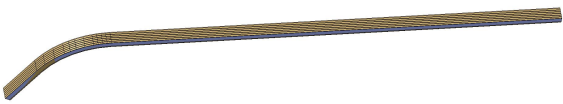
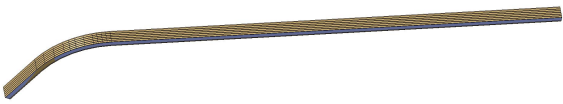


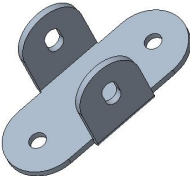



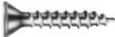
Use precautions

1. DO NOT SIT OR STAND ON THIS ITEM.
2. This product is not a toy. Do not allow children to play with or near this item.
3. Do not exceed specified weight capacities.
4. Use only on a flat, level, hard, and smooth surface that can safely support a fully loaded Metal Door Awning.
5. Use as intended only.
6. Do not use if parts are loose or damaged.
7. Spare parts such as screws are available.

SAVE THIS MANUAL

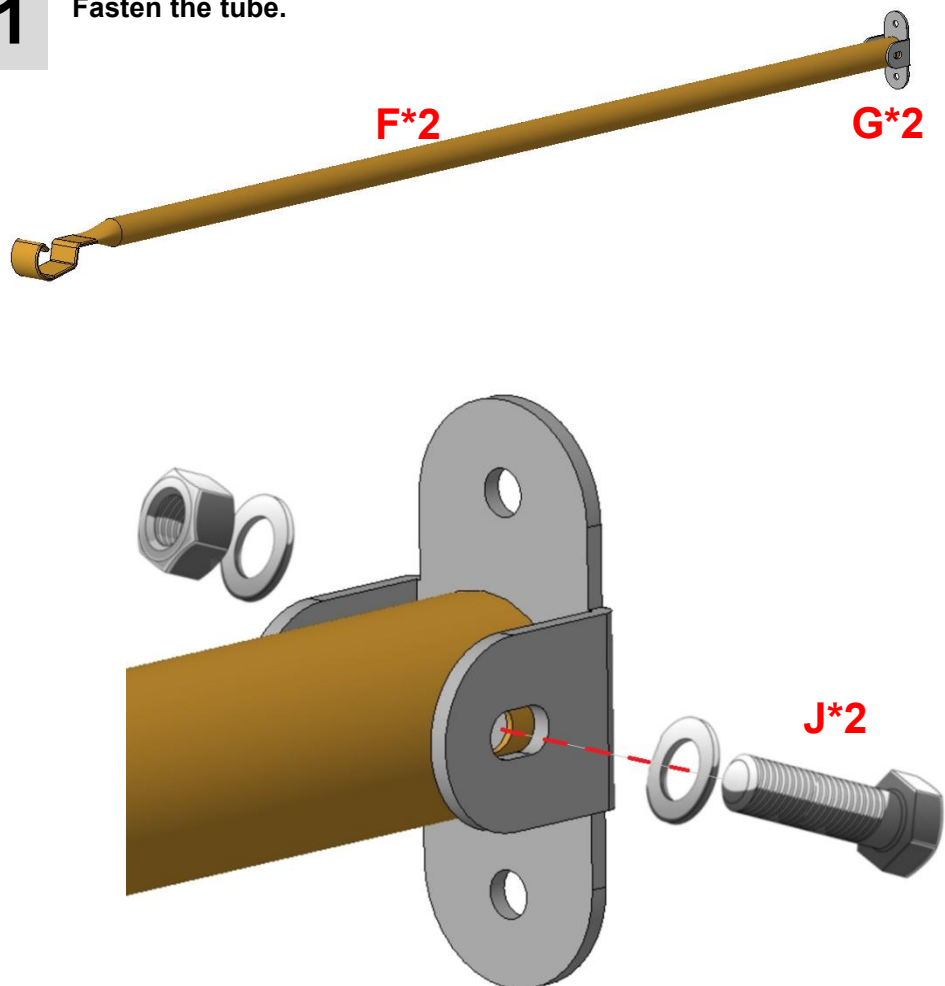
PARTS LIST



Serial number	Quantity	Part picture
A	7	
B	1	
C	1	
D1	1	
D1	1	
E	3	
F	2	
G	2	
H	1	
I	10	
J	2	
K	27+3	

ASSEMBLY STEP

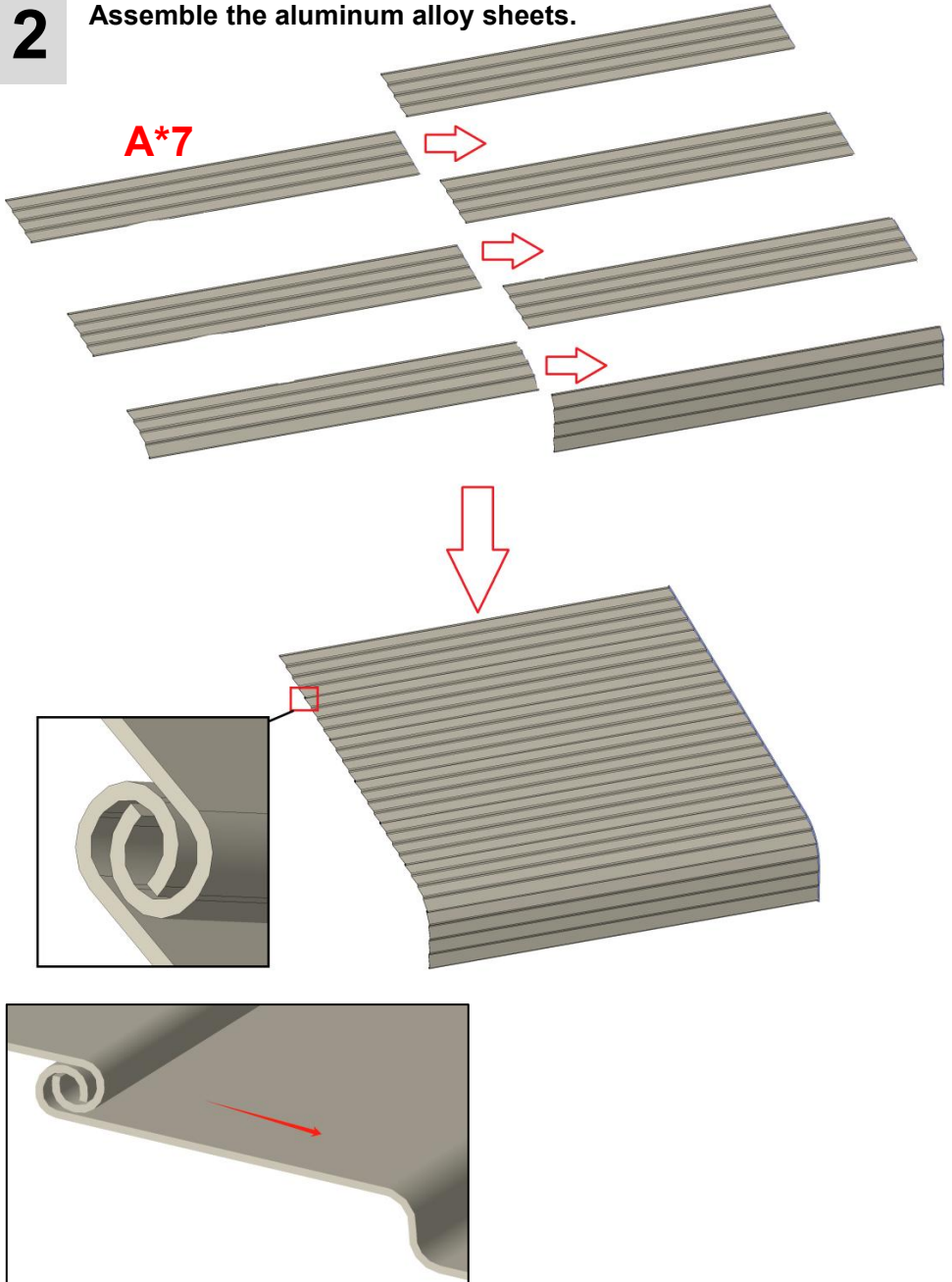
1 Fasten the tube.



Use screw(J*2) to fasten the tube(F*2) and the fixing part(G*2) together.

2

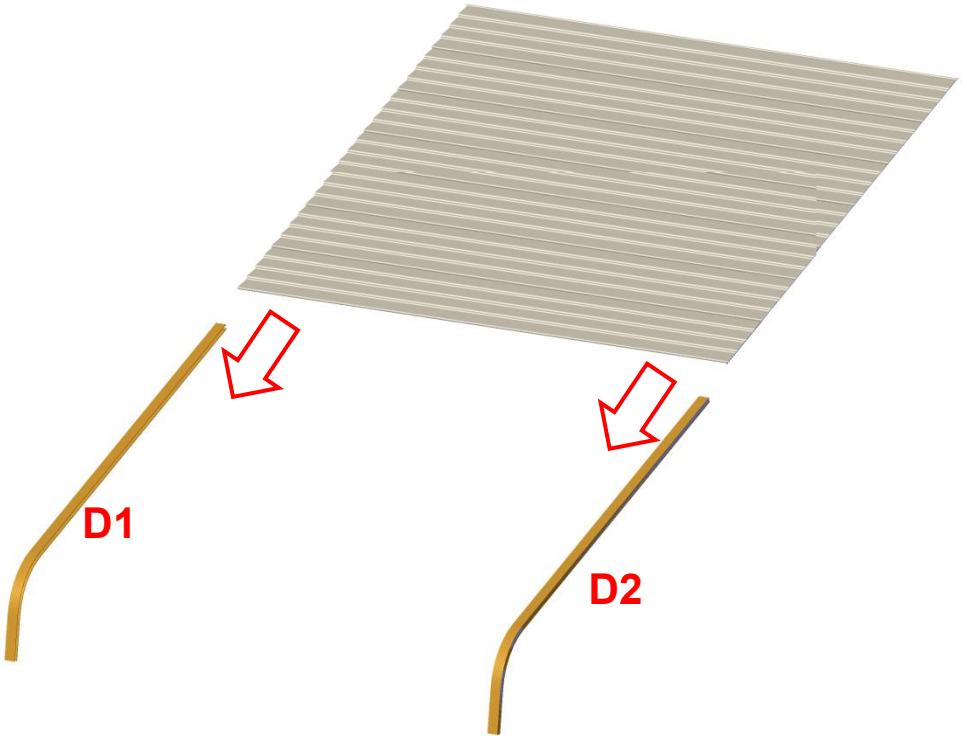
Assemble the aluminum alloy sheets.



Insert the aluminum alloy sheets(A*7) into each other in the direction of the arrow.

3

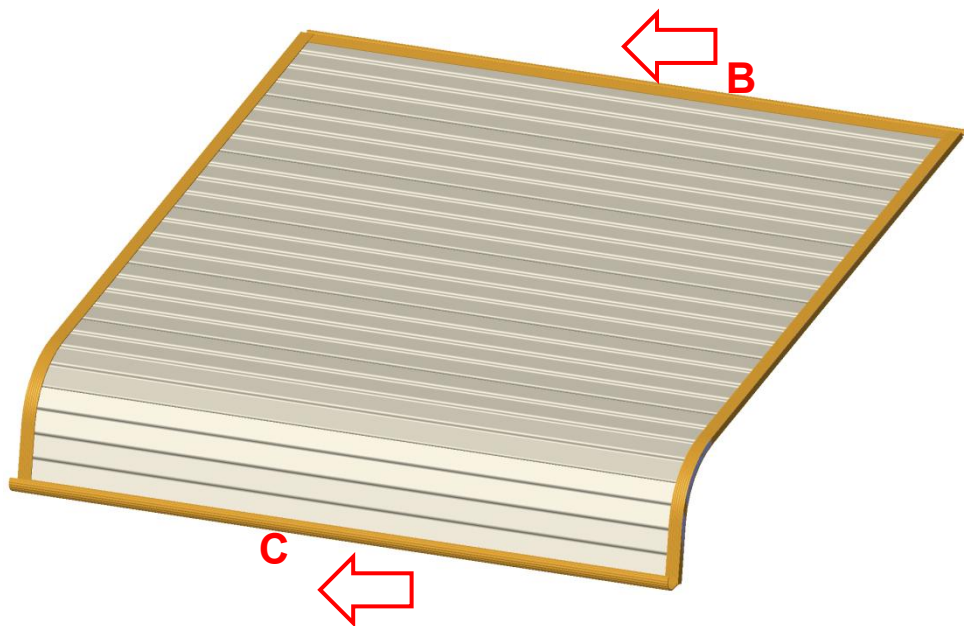
Assemble the aluminum alloy sheets.



Insert the aluminum alloy sheet(A) into D1 and D2 in the direction of the arrow.

4-1

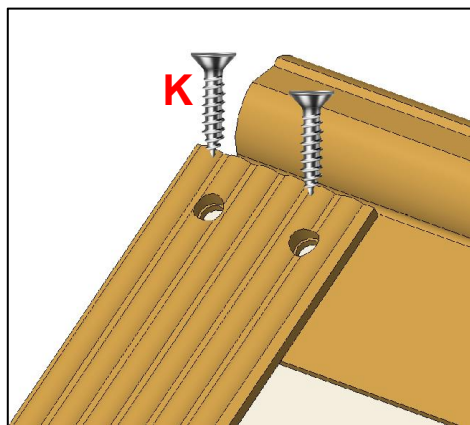
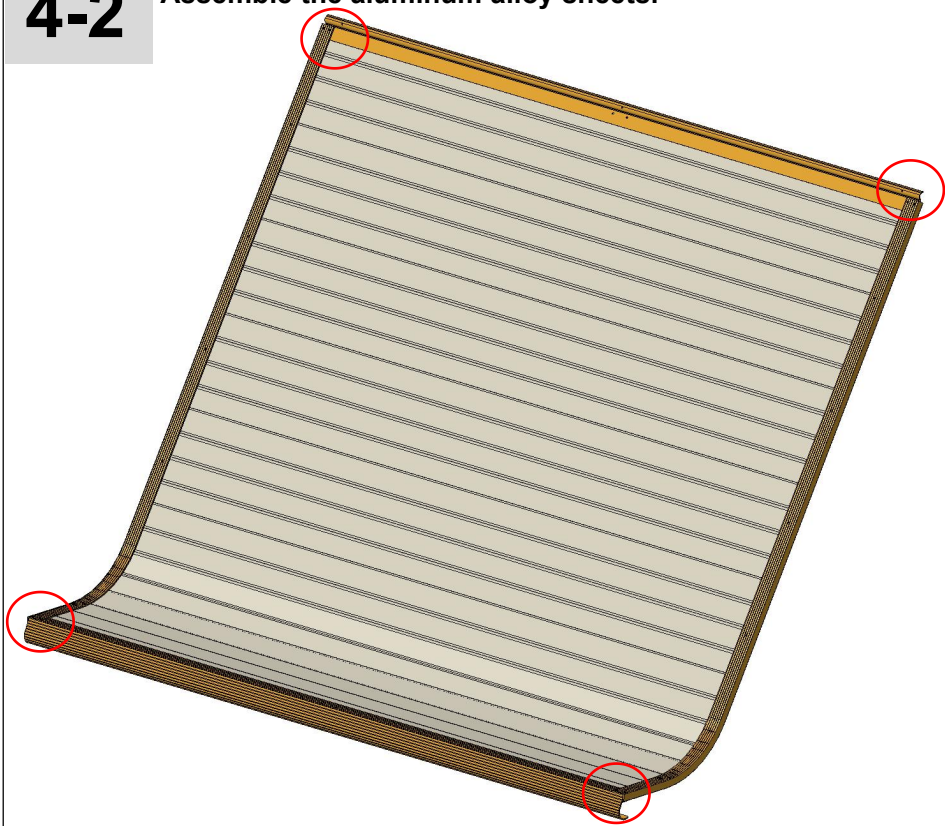
Assemble the aluminum alloy sheets.



Insert parts B and C into the aluminum alloy sheet(A).

4-2

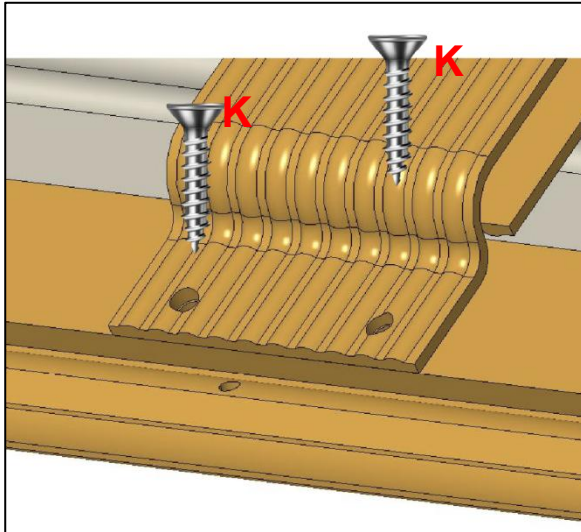
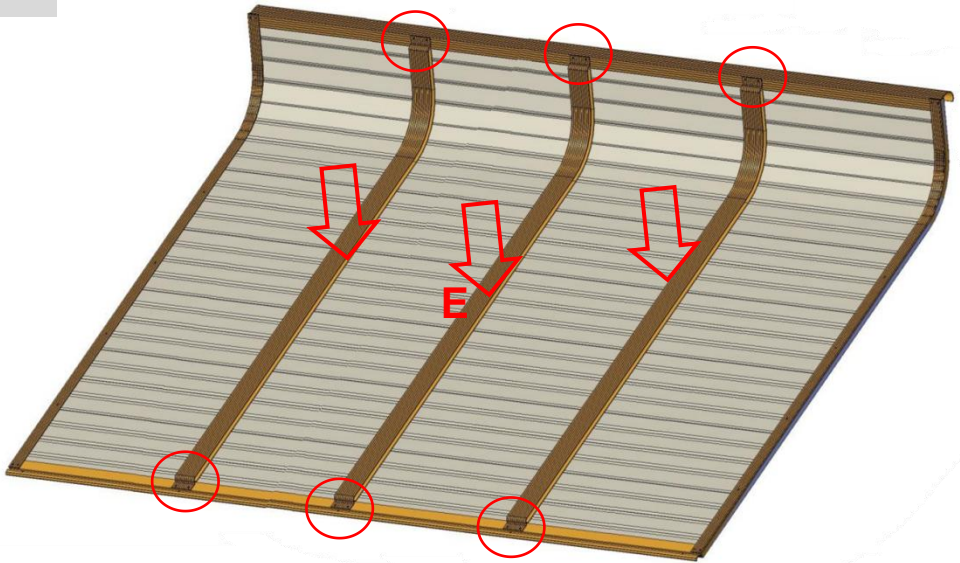
Assemble the aluminum alloy sheets.



1. Turn the whole product over; 2. Fix it with screws(K*8).

5

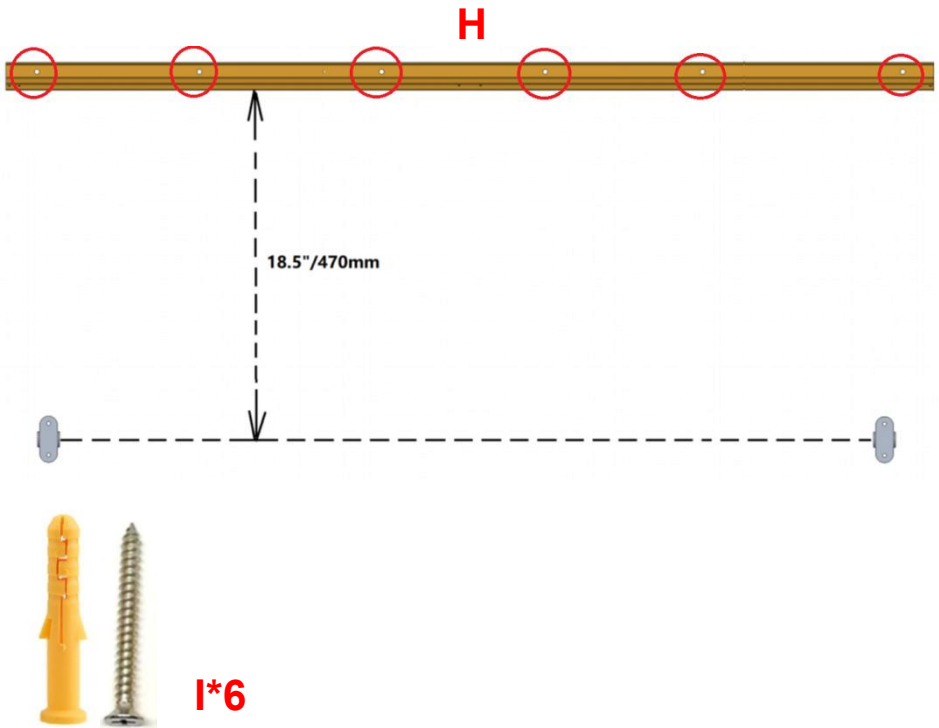
Insert the aluminum alloy sheets.



Install part E in the middle position of the aluminum alloy sheet and fix it with screws(K*12).

6

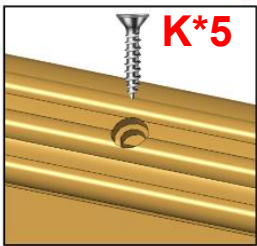
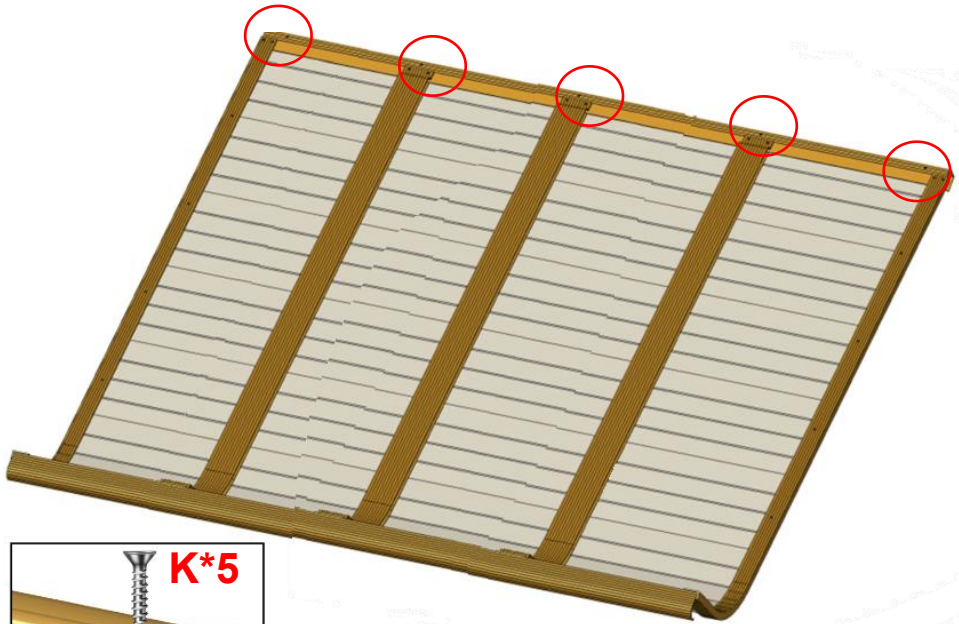
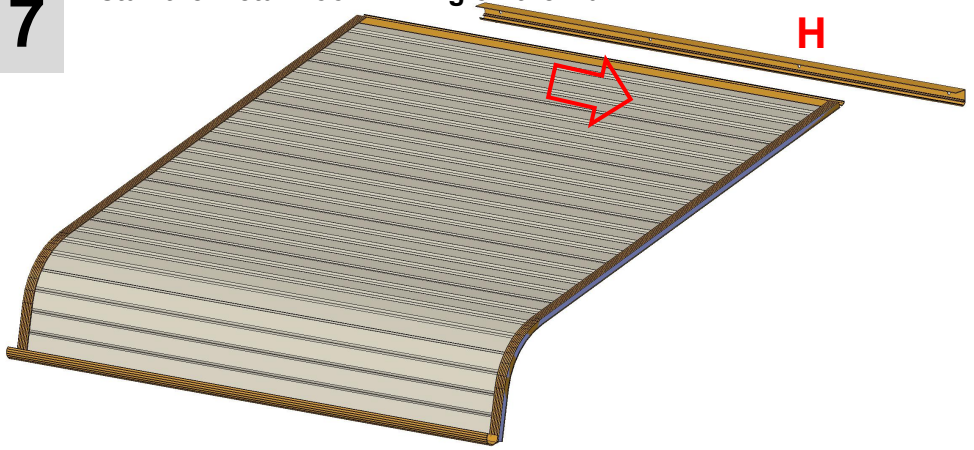
Drill holes in the wall.



First, mark the positioning holes on the wall for part H according to the above - recommended dimensions. Then, drill holes in the wall using a $\varnothing 6\sim\varnothing 8$ mm drill bit. Next, insert plastic plugs into the holes. Finally, install part H on the wall using wall - floor nails(I*6).

7

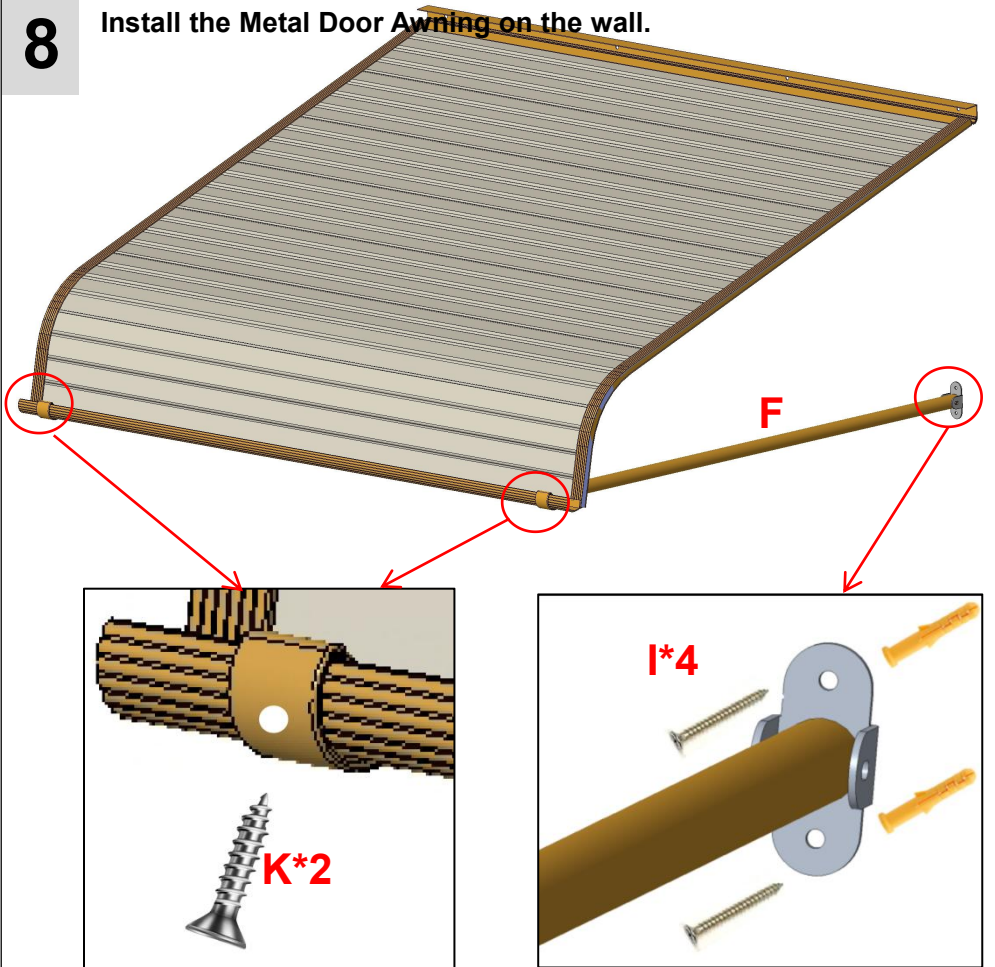
Install the Metal Door Awning on the wall.



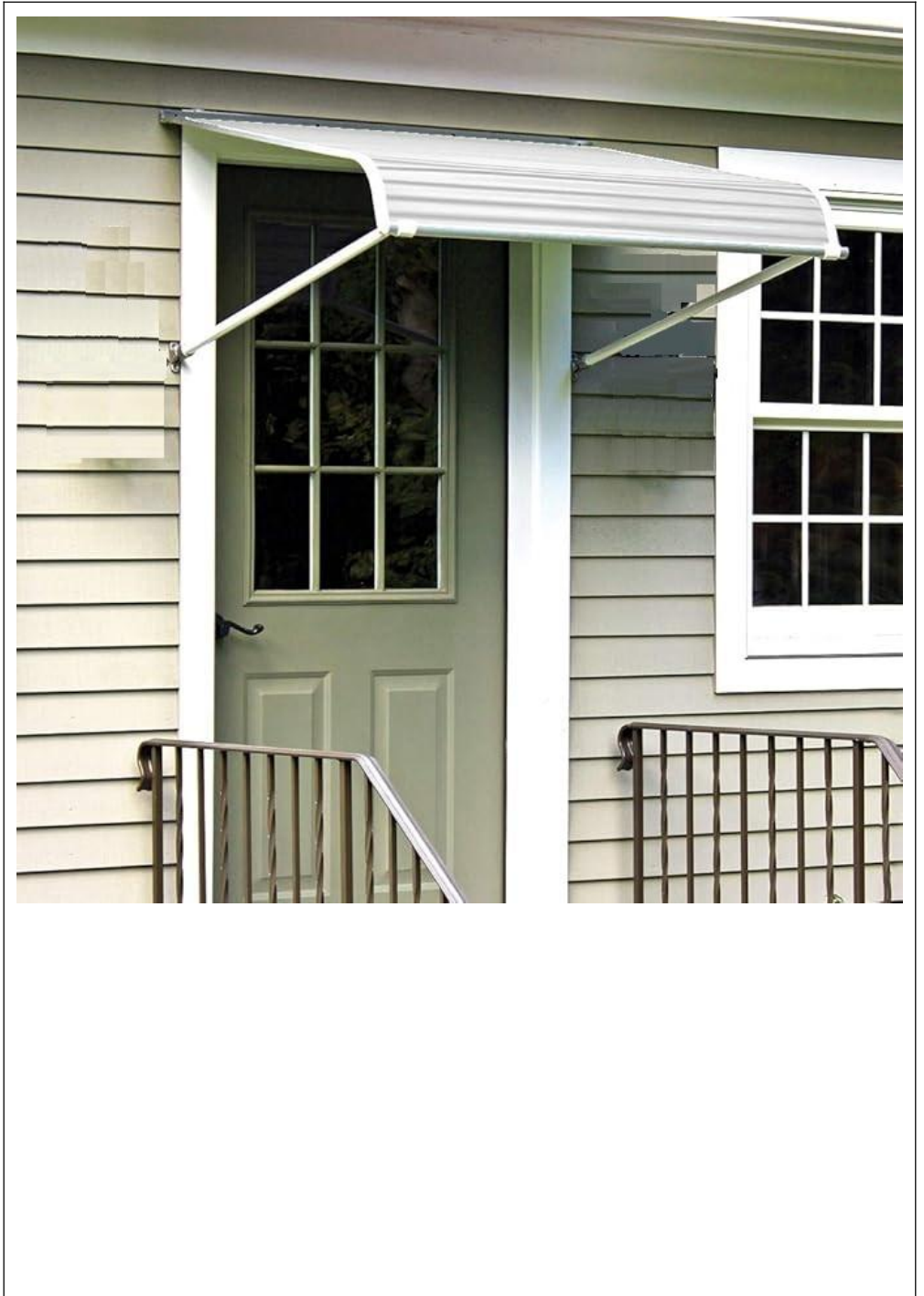
Insert the aluminum alloy sheet into part H.

Lock the parts with screw(K*5).

Note: There are 5 screw holes here, and you only need to fasten 2 of them.

8**Install the Metal Door Awning on the wall.**

1. Attach part(F*2) to the product.
2. Determine a suitable position by taking into account the actual sizes of the product and the door. Then, mark the positions of the fixing holes of part G on the wall.
3. Drill holes in the wall, insert plastic components, and then use screws to fix the product to the wall.



Snow Loads

The aluminum door canopies are manufactured from the highest - quality components available on the market today. They are designed to withstand normal weather conditions, including rain, sleet, snow, and wind. However, they are not designed to endure winds exceeding 30 miles per hour, snow loads of more than 12 inches of heavy, wet snow, or 24 inches of light snow. Additionally, they cannot withstand the impact force of snow and ice falling from an upper roof or piling up. This product will deliver excellent performance as long as it is installed correctly and used within its designed load - bearing limits.

Please remove snow promptly during use.

PRODUCT PARAMETER

Model	QL-60INCH
Material	Aluminum alloy
Colour	Silver
Shading area	60*42inch(1524*1066mm)
Maximum suitable width for doors/windows	47.2inch/1200mm

Manufacturer:Shanghaimuxinmuyeyouxiangongsi

Address:Shuangchenglu803nong11hao1602A-1609shi,baoshanqu, shanghai200000CN.

ECREP:E-CrossStuGmbH. MainzerLandstr.69,60329FrankfurtamMain.

UKREP:YHCONSULTINGLIMITED. C/OYHConsultingLimitedOffice147, CenturionHouse, LondonRoad, Staines-upon-Thames, Surrey, TW184AX ImportedtoAUS:SIHAOPTYLTD.

1ROKEVASTREETEASTWOODNSW2122Australia

ImportedtoUSA:SanvenTechnologyLtd.

Suite250,9166AnaheimPlace,RanchoCucamonga,CA91730



Technical Support and E-Warranty Certificate
www.vevor.com/support

VEVOR

Affordable. Reliable. Home Improvement.

METAL DOOR AWNING

USER MANUAL

MODEL:QL-60INCH

Technical Support and E-Warranty Certificate

www.vevor.com/support

VEVOR

Affordable. Reliable. Home Improvement.

METAL DOOR AWNING

MODEL:QL-60INCH



This is the original instruction, please read all manual instructions carefully before operating. VEVOR reserves a clear interpretation of our user manual. The appearance of the product shall be subject to the product you received. Please forgive us that we won't inform you again if there are any technology or software updates on our product.

SAFETY INSTRUCTIONS

WARNING:

Read this material before using this product. Failure to do so can result in serious injury.

Assembly precautions

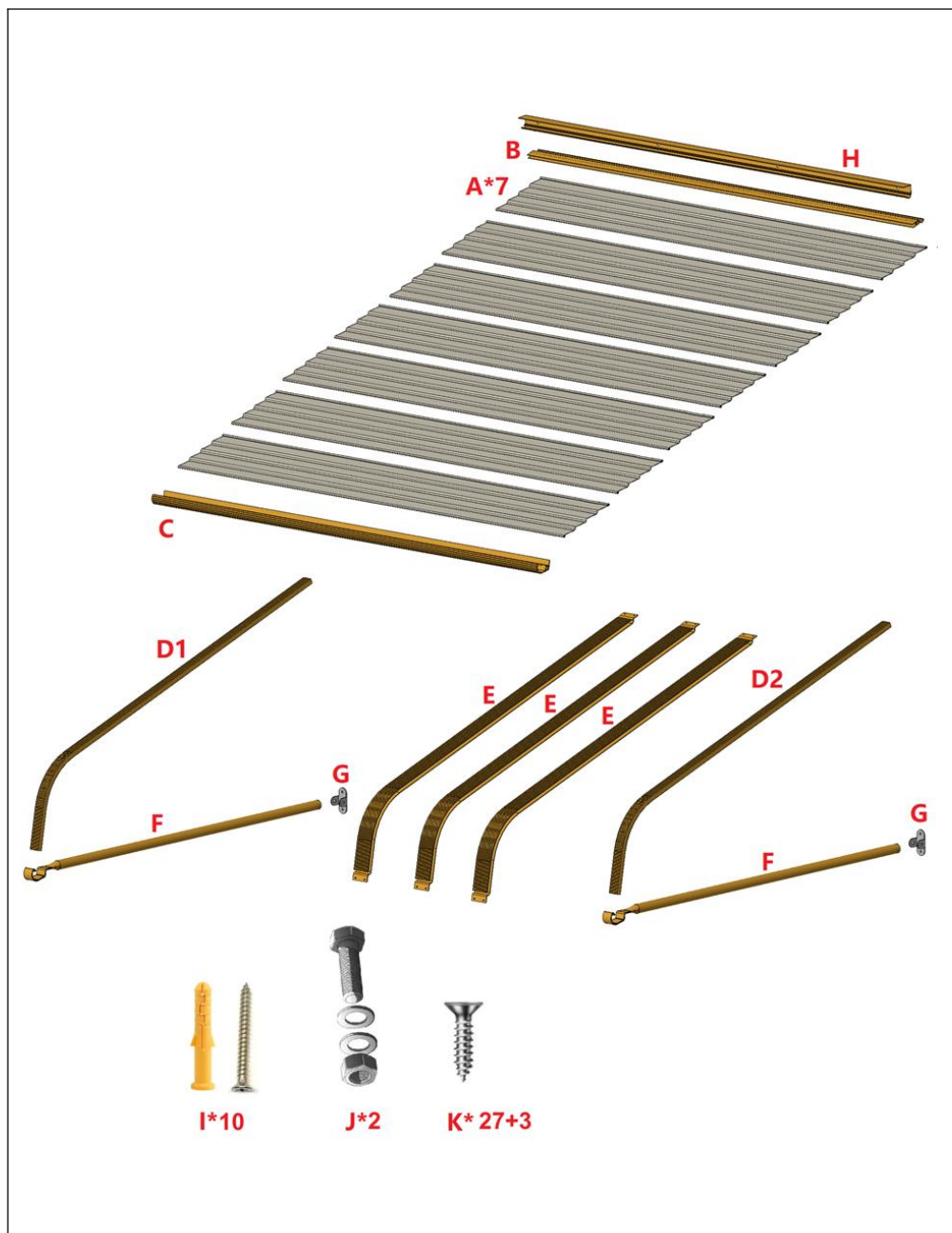
1. Assemble only according to these instructions. Improper assembly can create hazards.
2. Wear ANSI-approved safety goggles and heavy-duty work gloves during assembly.
3. Keep the assembly area clean and well-lit.
4. Keep bystanders out of the area during assembly.
5. Do not assemble if tired or when under the influence of alcohol, drugs or medication.
6. The product capabilities apply to properly and completely assembled products only.
7. Assemble on a flat, level, hard and smooth surface capable of safely supporting the Metal Door Awning.
8. For additional information regarding the parts listed in the following pages, please refer to the Assembly Diagram of this manual. Unwrap and separate all parts in a clean work area.




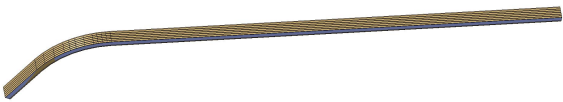
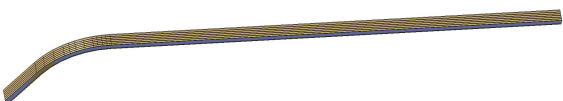


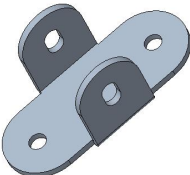




Use precautions

1. DO NOT SIT OR STAND ON THIS ITEM.
2. This product is not a toy. Do not allow children to play with or near this item.
3. Do not exceed specified weight capacities.
4. Use only on a flat, level, hard, and smooth surface that can safely support a fully loaded Metal Door Awning.
5. Use as intended only.
6. Do not use if parts are loose or damaged.
7. Spare parts such as screws are available.

SAVE THIS MANUAL

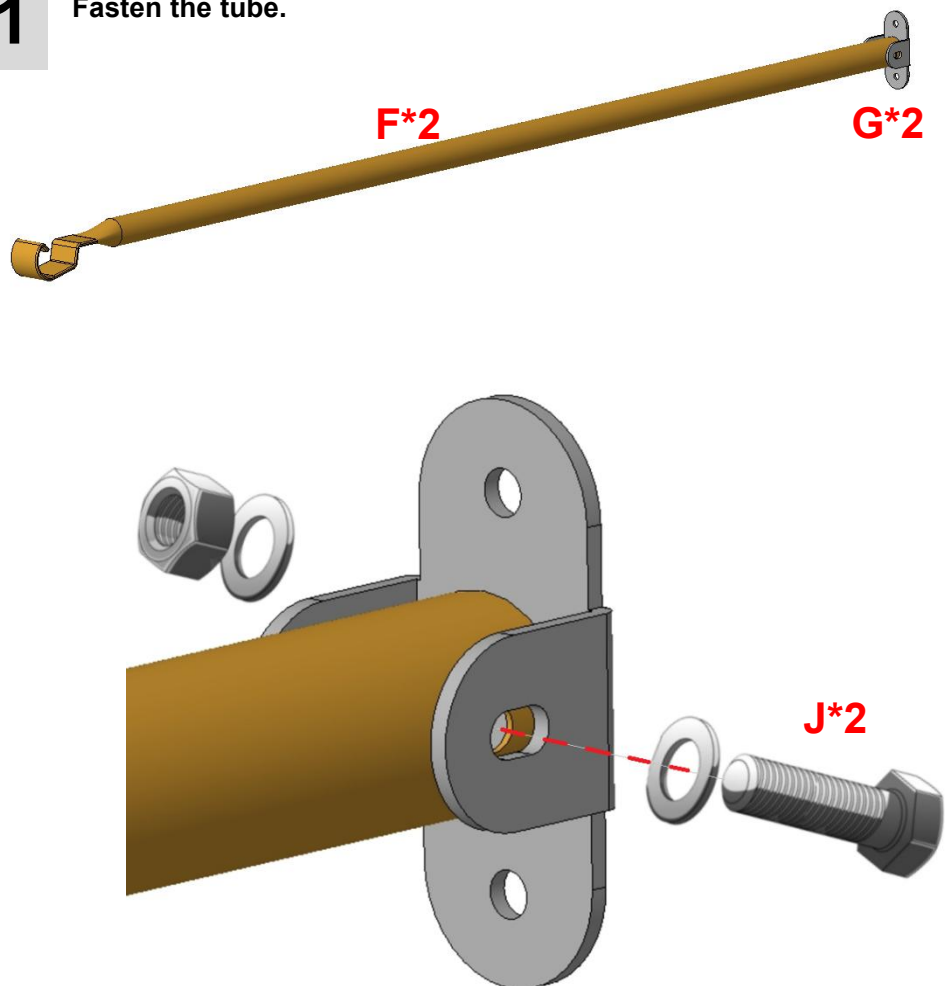
PARTS LIST



Serial number	Quantity	Part picture
A	7	
B	1	
C	1	
D1	1	
D1	1	
E	3	
F	2	
G	2	
H	1	
I	10	
J	2	
K	27+3	

ASSEMBLY STEP

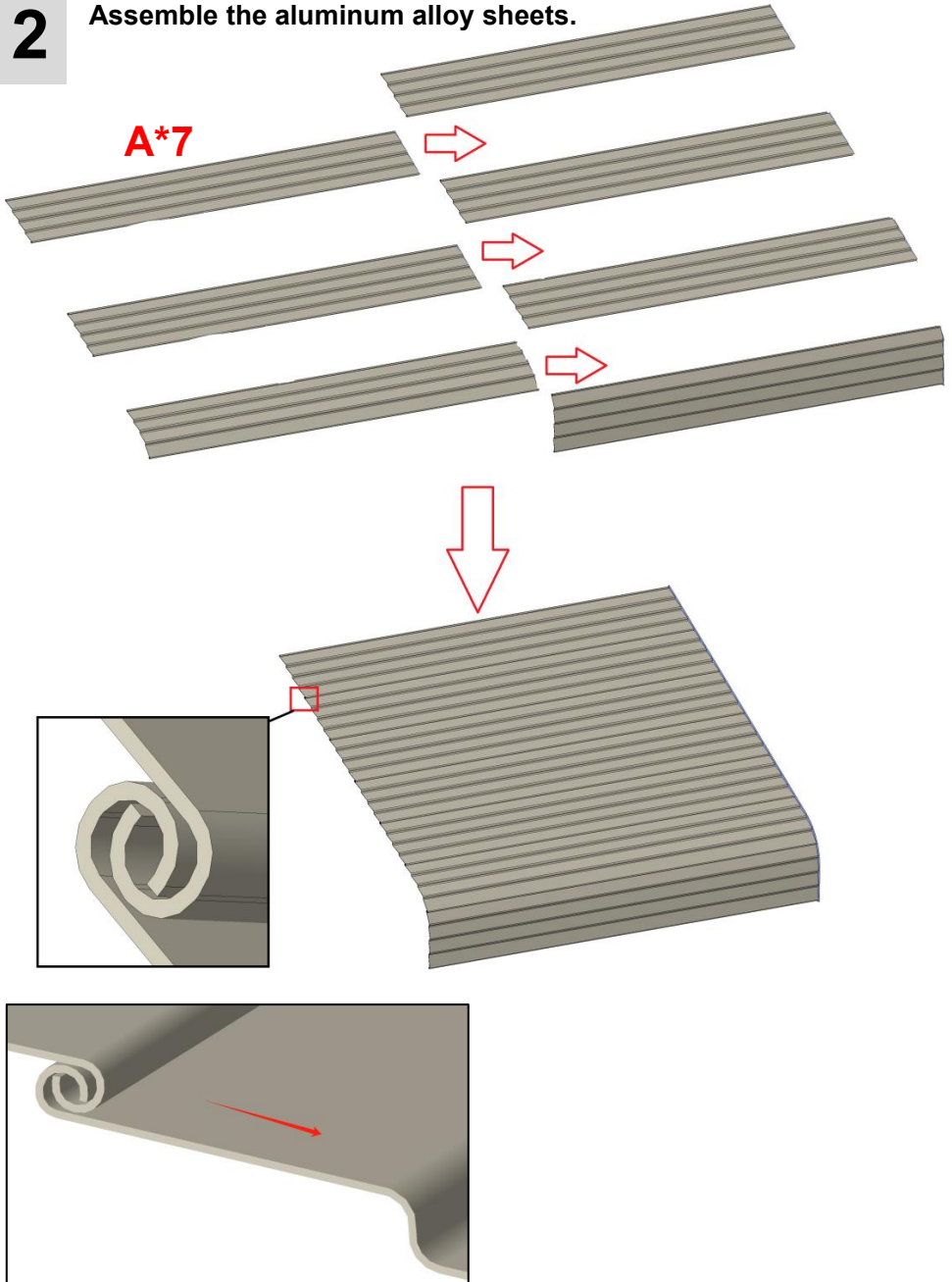
1 Fasten the tube.



Use screw(J*2) to fasten the tube(F*2) and the fixing part(G*2) together.

2

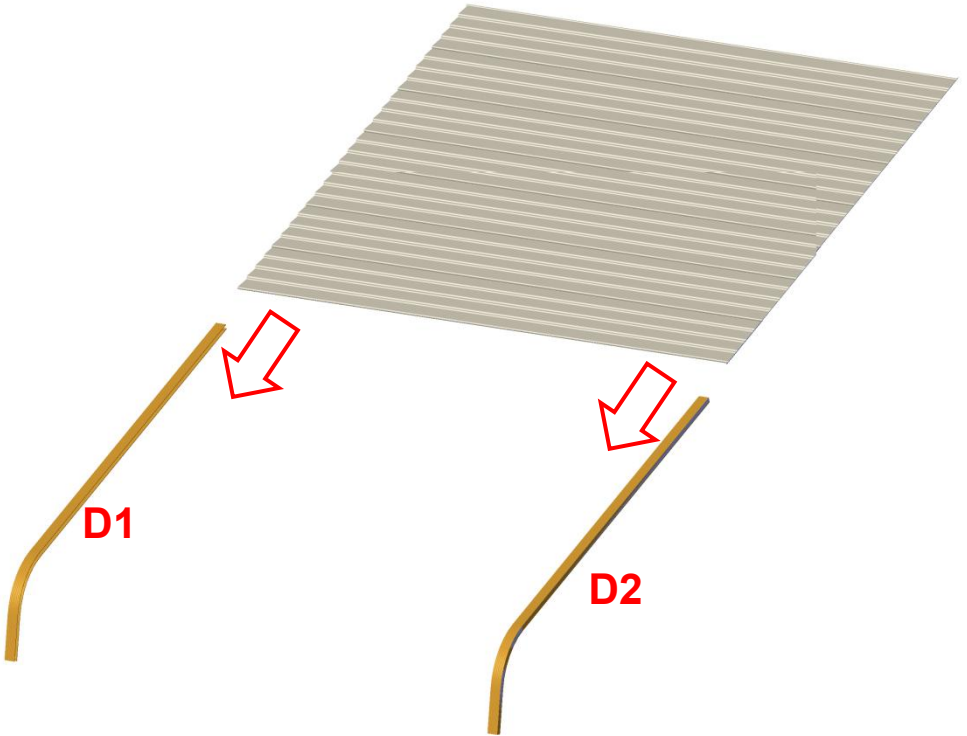
Assemble the aluminum alloy sheets.



Insert the aluminum alloy sheets(A*7) into each other in the direction of the arrow.

3

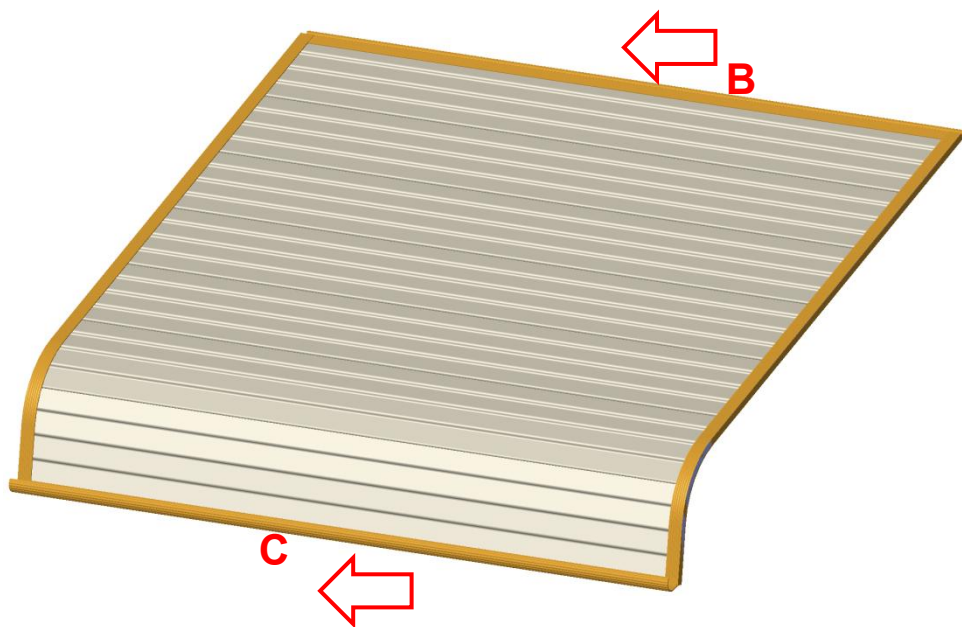
Assemble the aluminum alloy sheets.



Insert the aluminum alloy sheet(A) into D1 and D2 in the direction of the arrow.

4-1

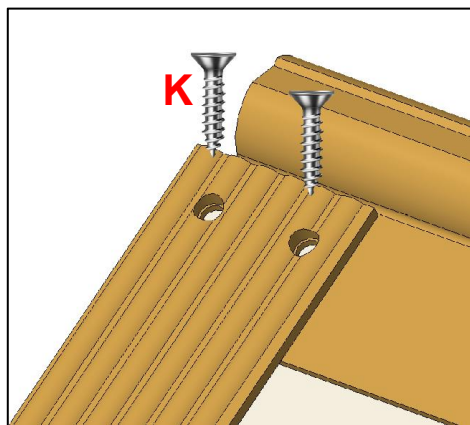
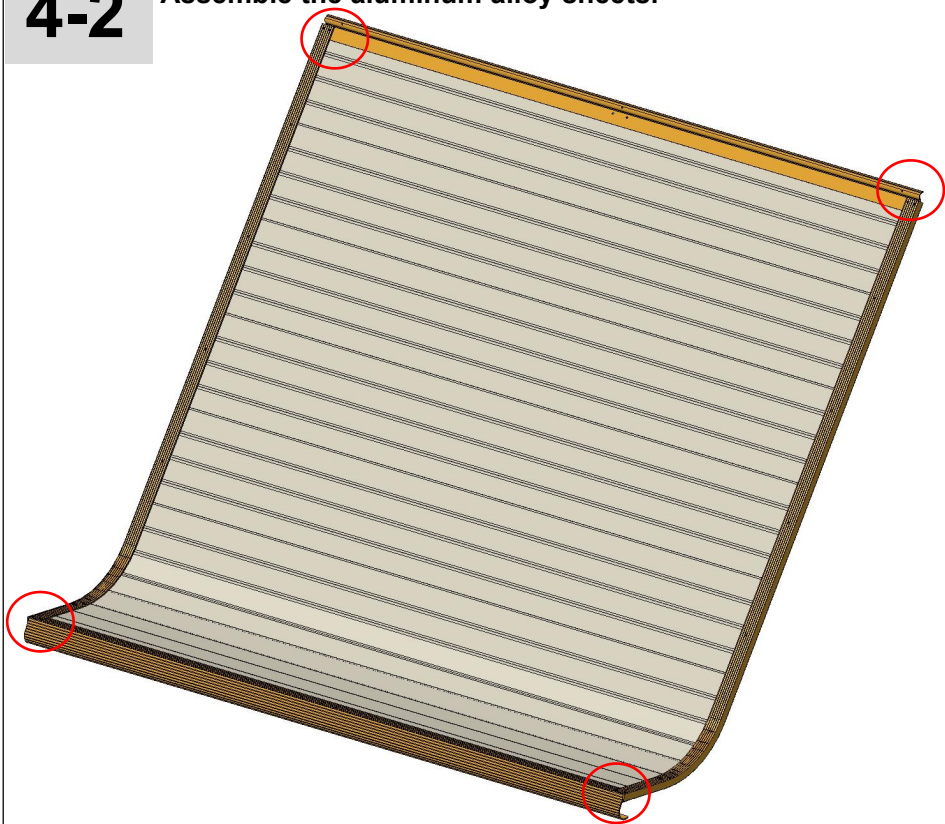
Assemble the aluminum alloy sheets.



Insert parts B and C into the aluminum alloy sheet(A).

4-2

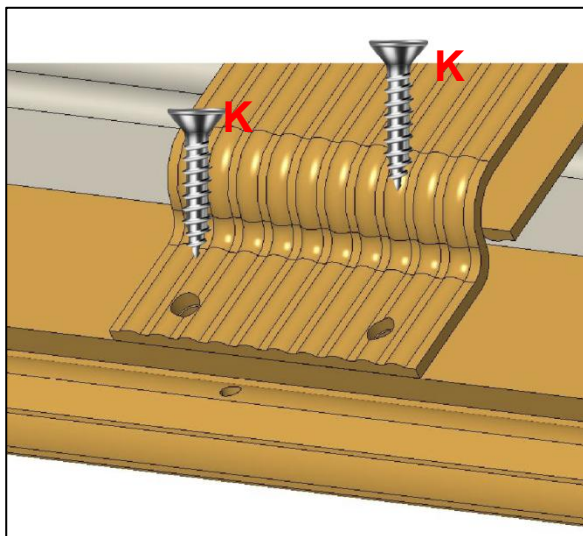
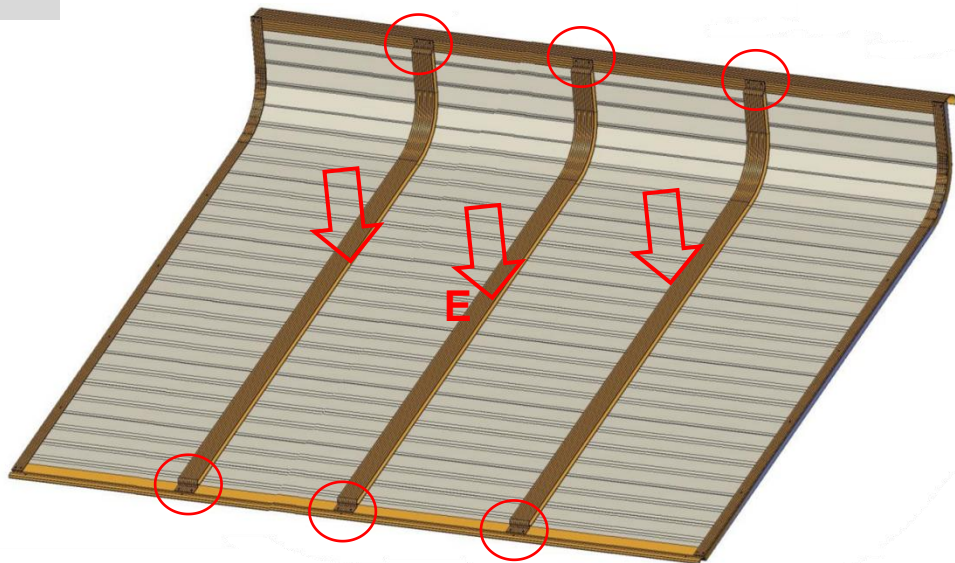
Assemble the aluminum alloy sheets.



1. Turn the whole product over; 2. Fix it with screws(K*8).

5

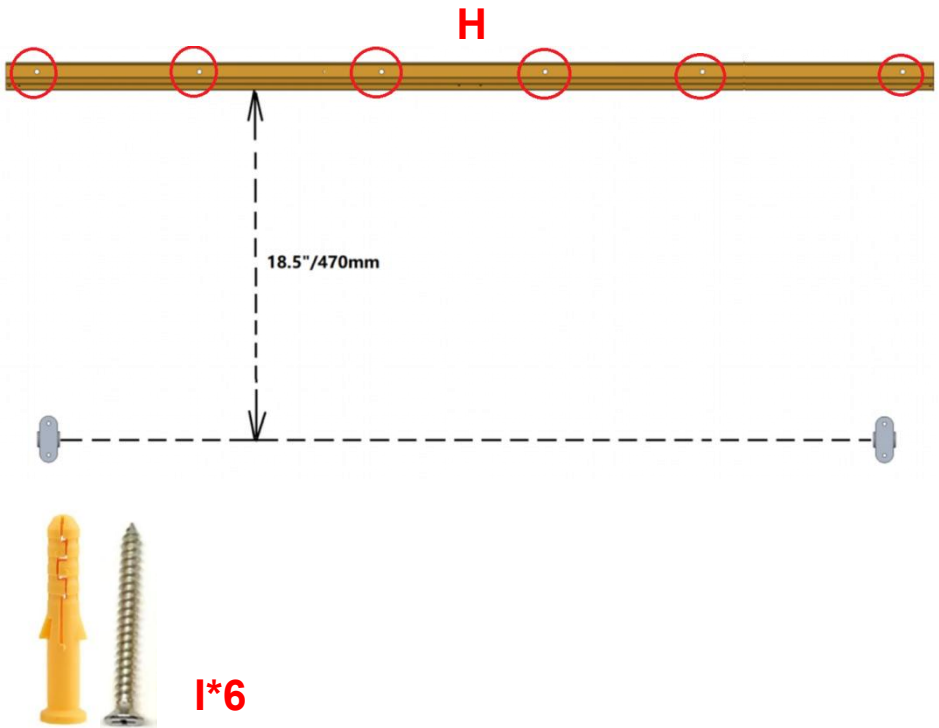
Insert the aluminum alloy sheets.



Install part E in the middle position of the aluminum alloy sheet and fix it with screws(K*12).

6

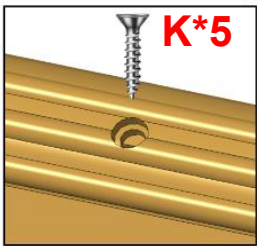
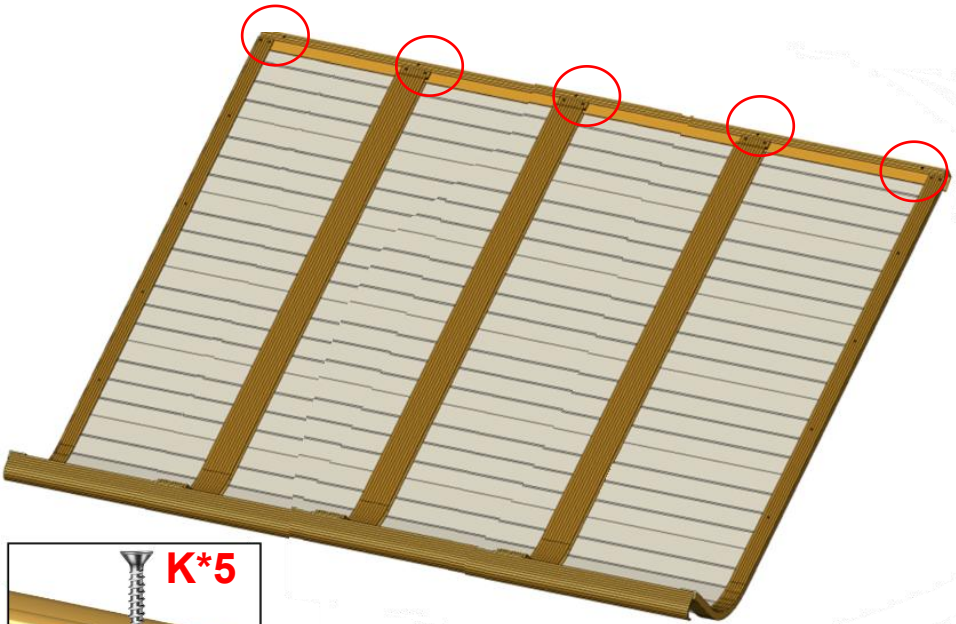
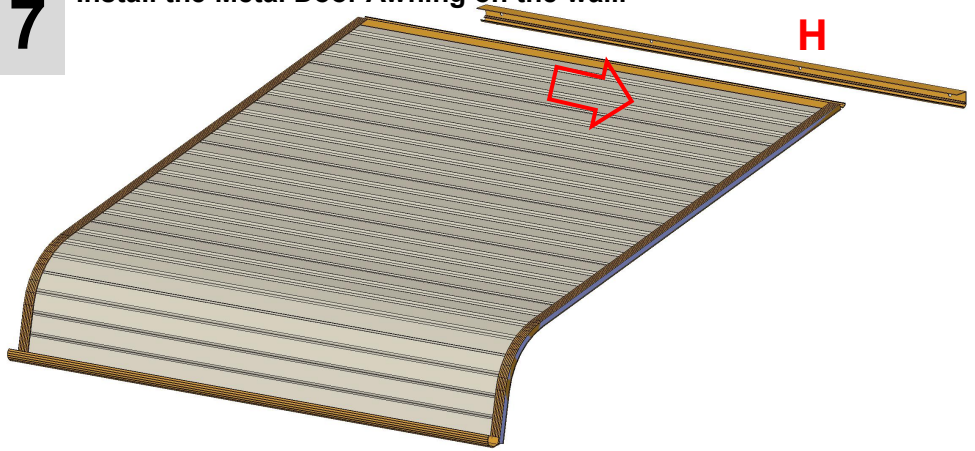
Drill holes in the wall.



First, mark the positioning holes on the wall for part H according to the above - recommended dimensions. Then, drill holes in the wall using a $\varnothing 6\sim\varnothing 8$ mm drill bit. Next, insert plastic plugs into the holes. Finally, install part H on the wall using wall - floor nails(I*6).

7

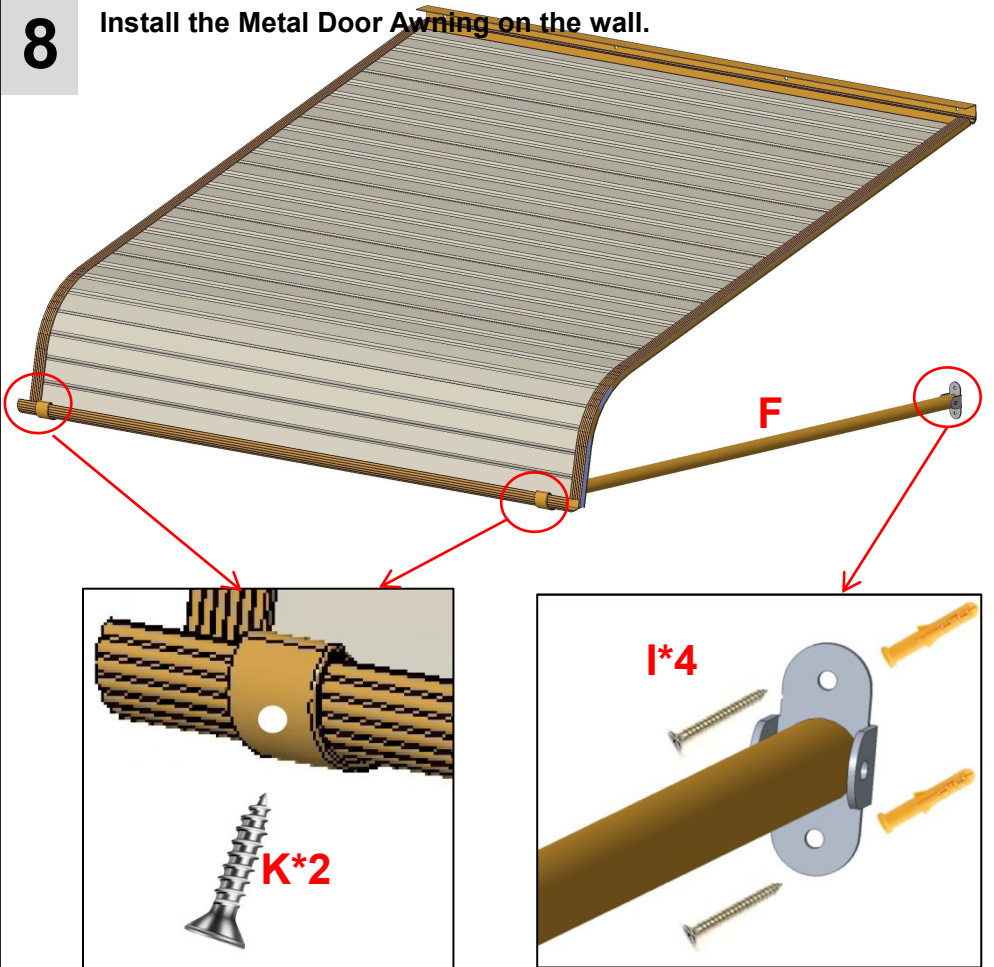
Install the Metal Door Awning on the wall.



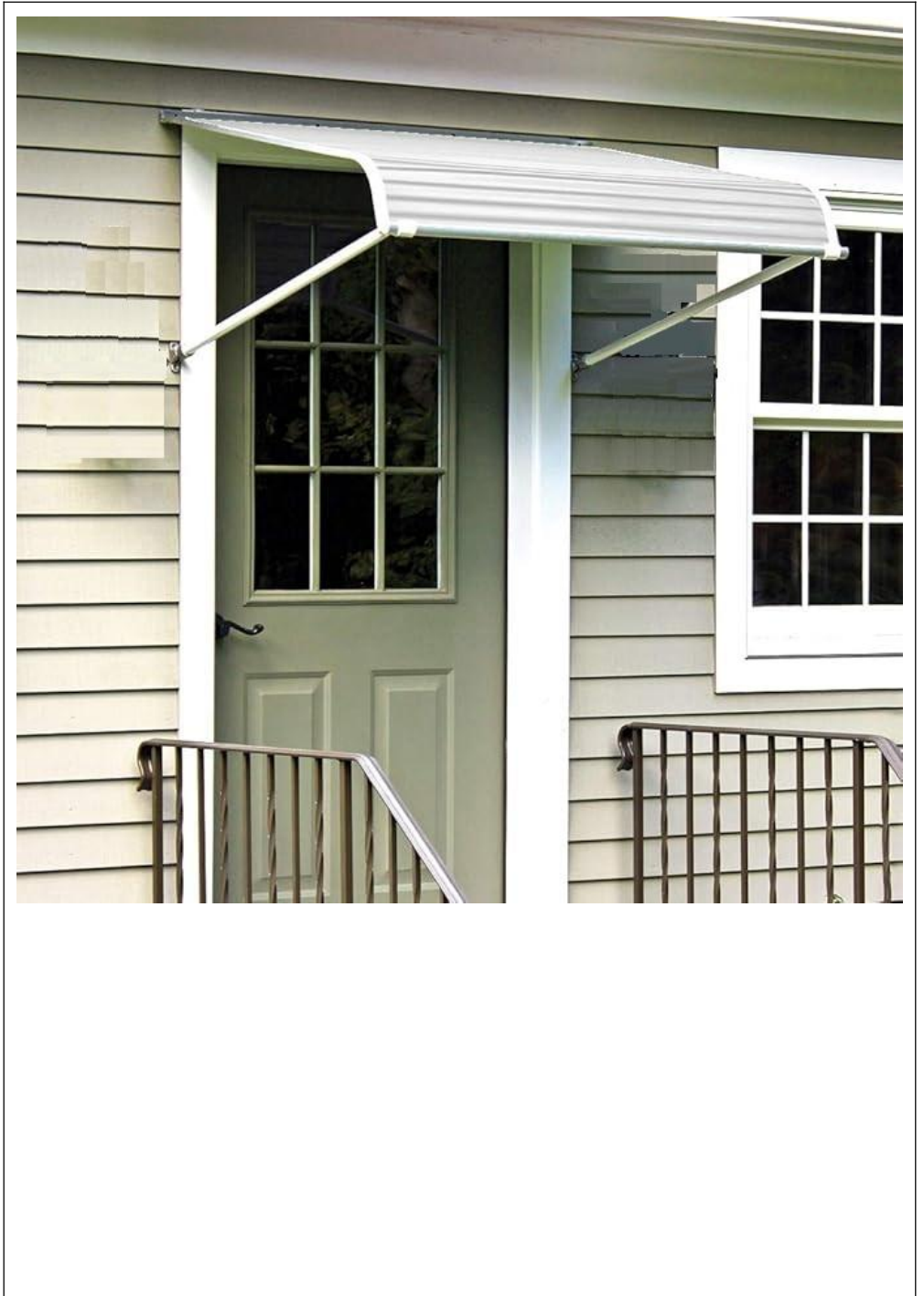
Insert the aluminum alloy sheet into part H.

Lock the parts with screw(K*5).

Note: There are 5 screw holes here, and you only need to fasten 2 of them.

8**Install the Metal Door Awning on the wall.**

1. Attach part(F*2) to the product.
2. Determine a suitable position by taking into account the actual sizes of the product and the door. Then, mark the positions of the fixing holes of part G on the wall.
3. Drill holes in the wall, insert plastic components, and then use screws to fix the product to the wall.



Snow Loads

The aluminum door canopies are manufactured from the highest - quality components available on the market today. They are designed to withstand normal weather conditions, including rain, sleet, snow, and wind. However, they are not designed to endure winds exceeding 30 miles per hour, snow loads of more than 12 inches of heavy, wet snow, or 24 inches of light snow. Additionally, they cannot withstand the impact force of snow and ice falling from an upper roof or piling up. This product will deliver excellent performance as long as it is installed correctly and used within its designed load - bearing limits.

Please remove snow promptly during use.

PRODUCT PARAMETER

Model	QL-60INCH
Material	Aluminum alloy
Colour	Silver
Shading area	60*42inch(1524*1066mm)
Maximum suitable width for doors/windows	47.2inch/1200mm

Manufacturer:Shanghaimuxinmuyeyouxiangongsi

Address:Shuangchenglu803nong11hao1602A-1609shi,baoshanqu, shanghai200000CN.

ECREP:E-CrossStuGmbH. MainzerLandstr.69,60329FrankfurtamMain.

UKREP:YHCONSULTINGLIMITED. C/OYHConsultingLimitedOffice147, CenturionHouse, LondonRoad, Staines-upon-Thames, Surrey, TW184AX ImportedtoAUS:SIHAOPTYLTD.

1ROKEVASTREETEASTWOODNSW2122Australia

ImportedtoUSA:SanvenTechnologyLtd.

Suite250,9166AnaheimPlace,RanchoCucamonga,CA91730



Technical Support and E-Warranty Certificate
www.vevor.com/support