

Food Processor

User's manual

EN



SENCOR®

STM 40WH / STM 41GR / STM 42BL
STM 43OR / STM 44RD / STM 45VT
STM 46YL / STM 47GG / STM 48RS

Prior to using this appliance, please read the user's manual thoroughly, even if you already have experience in using similar appliances. Only use the appliance in the manner described in this user's manual. Keep this user's manual in a safe place where it can be easily retrieved for future use.

We recommend saving the original cardboard box, packaging material, purchase receipt and responsibility statement of the vendor and warranty card for at least the the duration of the legal liability for unsatisfactory performance or quality. In the event of transportation, pack the appliance using the original packaging materials only.

EN-1

Food Processor

STM 40WH / STM 41GR / STM 42BL / STM 43OR
STM 44RD / STM 45VT / STM 46YL / STM 47GG / STM 48RS

TABLE OF CONTENTS

IMPORTANT SAFETY INSTRUCTIONS	3
DESCRIPTION OF THE FOOD PROCESSOR	5
MEAT GRINDING, HOMEMADE SAUSAGE AND KEBAB MAKING ATTACHMENT ACCESSORIES	6
GRATING AND SLICING ATTACHMENT ACCESSORIES	7
BEFORE FIRST USE	7
PURPOSE OF USE OF THE FOOD PROCESSOR	7
BLENDING, WHIPPING AND KNEADING	8
GRINDING MEAT, MAKING SAUSAGES AND KEBABS	10
GRATING AND SLICING	13
CLEANING AND MAINTENANCE	14
STORAGE	14
TIPS AND ADVICE FOR PREPARING VARIOUS TYPES OF DOUGHS AND BAKING THEM	15
RECIPES	19
TECHNICAL SPECIFICATIONS	22
INSTRUCTIONS AND INFORMATION REGARDING THE DISPOSAL OF USED PACKAGING MATERIALS	22
DISPOSAL OF USED ELECTRICAL AND ELECTRONIC EQUIPMENT	22

Food Processor

STM 40WH / STM 41GR / STM 42BL / STM 43OR
STM 44RD / STM 45VT / STM 46YL / STM 47GG / STM 48RS

EN

IMPORTANT SAFETY INSTRUCTIONS

- Children must not use this appliance or play with it. Keep this appliance and its power cord out of reach of children.
- This appliance may be used by persons with physical or mental impairments or by inexperienced persons, if they are properly supervised or have been informed about how to use the product in a safe manner and understand the potential dangers.

Food Processor

STM 40WH / STM 41GR / STM 42BL / STM 43OR
STM 44RD / STM 45VT / STM 46YL / STM 47GG / STM 48RS

IMPORTANT SAFETY INSTRUCTIONS READ CAREFULLY AND STORE FOR FUTURE USE.

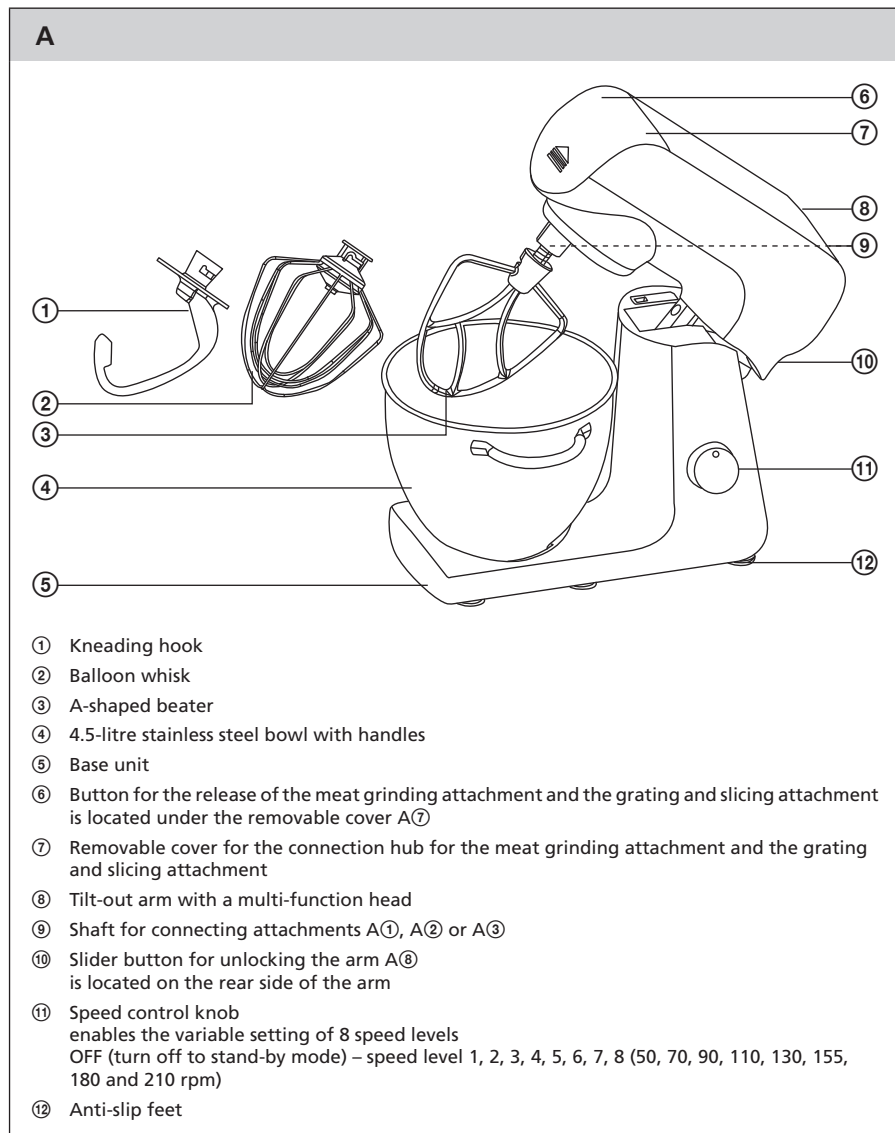
- Before connecting this appliance to a power socket, make sure the voltage stated on the product's rating label corresponds to the voltage in your power socket.
- Never use accessories, which have not been supplied with this appliance or which have not been explicitly recommended by the manufacturer.
- The appliance is intended and designed for processing a standard amount of food in the household.
- Do not use the appliance for anything other than its intended purpose.
- Do not use the appliance in an industrial environment or outdoors.
- Do not place the appliance on window sills or on unstable surfaces. Only place the appliance on an even, dry and stable surface.
- Do not place the appliance on an electric or gas stove, in the vicinity of an open flame or appliances that are sources of heat.
- Ensure that the power plug contacts do not come into contact with water or moisture.
- Never use multiple attachments simultaneously.
- Do not wash the appliance (except for the removable parts) under running water and do not submerge it in water or any other liquid.
- Always turn off the appliance, disconnect it from the power socket if you will not be using it, if you will be leaving it without supervision, and before assembling, disassembling, cleaning or moving it. Prior to disassembling the appliance and replacing accessories or accessible parts that move during use, wait until all moving parts come to a stop.
- For safety reasons, this appliance is equipped with a safety mechanism that prevents the motor from being started if the appliance's arm is tilted out.
- Before putting the appliance into operation, check that it is correctly assembled and that the arm is in the horizontal position.
- Allow hot liquids or food to cool down before mixing them.
- Do not attempt to grind bones, nut shells or other hard ingredients.
- Do not leave the appliance in continuous operation under a heavy load for a period longer than 10 minutes. Before turning it on again, allow it to cool down for at least 30 minutes.
- Do not tilt out the arm or put your hands or items, such as a kitchen knife, fork or wooden spoon, into the bowl while the appliance is running. Do not touch rotating parts of the appliance or attachments and ensure that foreign items such as clothing, hair, etc. are kept away. An injury could occur or the appliance could be damaged.
- If an item, such as a spoon, falls into the mixing bowl while the appliance is running, immediately set the speed control knob to the OFF position (stand-by mode), disconnect the power cord from the power socket and take the item out of the bowl.
- If ingredients stick to the attachments or the inside of the bowl, turn off the appliance and disconnect it from the power socket. Use a spatula to clean the attachments and the inside of the bowl. Then you can continue mixing.
- Never use your fingers or other items to push ingredients through the feed tube of the meat grinder or the slicing and grating attachment. For this purpose there is a pusher included as an accessory to this appliance.
- The appliance must not run without a load. The incorrect use of the appliance may negatively affect its lifetime.
- Before storing the appliance, check that the stand arm is tilted to the horizontal position.
- Do not place heavy items on the power cord. Make sure the power cord does not hang over the edge of a table or that it does not touch a hot surface.
- Do not disconnect the appliance from the power socket by pulling on the power cord. This could damage the power cord or the power socket. Disconnect the cord from the power socket by gently pulling the plug of the power cord.
- If the power cord is damaged, have it replaced at a specialised service centre. It is forbidden to use the appliance if it has a damaged power cord or plug.
- To avoid the danger of injury by electrical shock, do not repair the appliance yourself or make any adjustments to it. Have all repairs or adjustments of the appliance performed at an authorised service centre. By tampering with the appliance you risk voiding your legal rights arising from unsatisfactory performance or quality warranty.

Food Processor

STM 40WH / STM 41GR / STM 42BL / STM 43OR
STM 44RD / STM 45VT / STM 46YL / STM 47GG / STM 48RS

EN

DESCRIPTION OF THE FOOD PROCESSOR

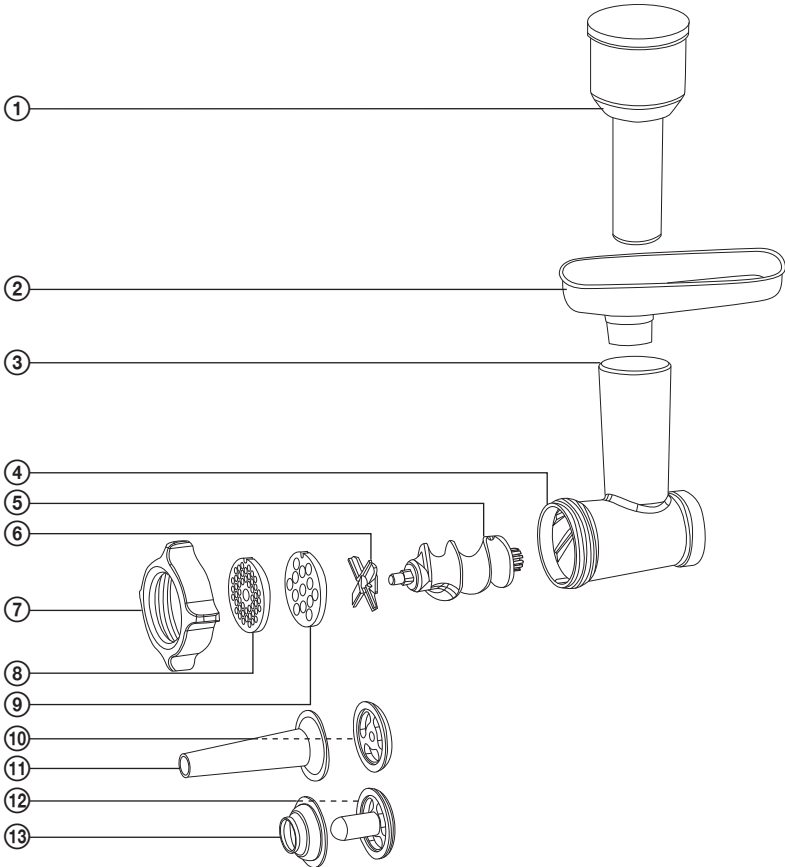


Food Processor

STM 40WH / STM 41GR / STM 42BL / STM 43OR
STM 44RD / STM 45VT / STM 46YL / STM 47GG / STM 48RS

ACCESSORIES FOR THE MEAT GRINDING, HOMEMADE SAUSAGE AND KEBAB MAKING ATTACHMENT

B



- ① Pusher
- ② Stainless steel hopper
- ③ Feed tube
- ④ Grinding chamber
- ⑤ Screw shaft
- ⑥ Grinding blade
- ⑦ Screw lock

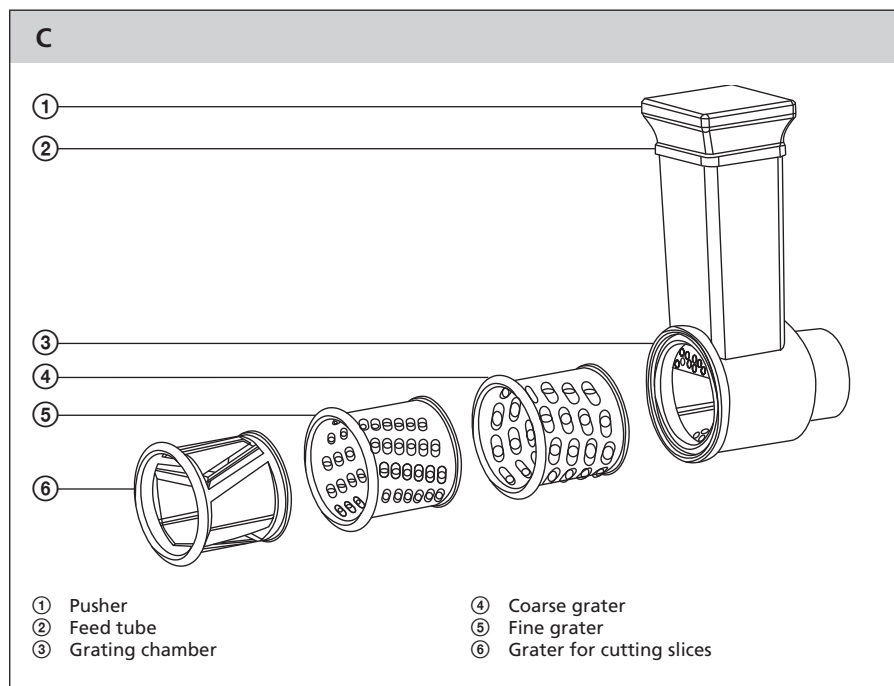
- ⑧ Fine (3 mm) grinding plate
- ⑨ Coarse (8 mm) grinding plate
- ⑩ Separator
- ⑪ Sausage stuffer attachment
- ⑫ Moulder
- ⑬ Conical attachment

Food Processor

STM 40WH / STM 41GR / STM 42BL / STM 43OR
STM 44RD / STM 45VT / STM 46YL / STM 47GG / STM 48RS

EN

ACCESSORIES FOR THE GRATING AND SLICING ATTACHMENT



BEFORE FIRST USE

1. Take the appliance and its accessories out of the packaging materials.
2. Thoroughly wash all removable parts, i.e. kneading hook A①, whisk A②, beater A③, the stainless steel mixing bowl A④ and accessories shown in figures B and C, using warm water and a neutral kitchen detergent. Then rinse them with clean water and dry thoroughly with a fine wiping cloth.

PURPOSE OF USE OF THE FOOD PROCESSOR

- Thanks to a wide range of accessories, this food processor will find its place in every kitchen. You can use it to beat, whip, knead, grind, mince, grate or to make kebabs or homemade sausages.

Food Processor

STM 40WH / STM 41GR / STM 42BL / STM 43OR
STM 44RD / STM 45VT / STM 46YL / STM 47GG / STM 48RS

BLENDING, WHIPPING AND KNEADING

PLANETARY MIXING SYSTEM

- The planetary mixing system is based on the principle of dual rotation of the attachment. The attachment rotates anticlockwise along the inner perimeter of the bowl while rotating around its own axis in the opposite direction. This ensures that ingredients are processed thoroughly and evenly.

SELECTING ATTACHMENT TYPES

ATTACHMENT TYPE	APPLICATION
Kneading hook A①	It is used for kneading and preparing heavy and thick doughs containing yeast, e.g. bread dough.
Beater A③	It is used for mixing medium heavy and lighter doughs not containing yeast, for mixing sauces, creams, fillings, etc.
Whisk A②	It is used for whisking whole eggs or egg whites, whipped cream, light doughs, foamy creams, etc. Do not use it for mixing heavy and thick doughs.

ASSEMBLING AND DISASSEMBLING THE FOOD PROCESSOR

- Before you start assembling or disassembling the food processor, check that it is turned off and disconnected from the el. power socket.

1. Inserting the mixing bowl

- Place the food processor on an even, dry surface, for example on a kitchen countertop.
- Slide button A⑩ upwards and hold it there. Tilt out the arm A⑧. To lock the arm A⑧ in the open position, release button A⑩.
- Place the stainless steel bowl A④ into the hole in the base unit A⑤ and secure it in place by turning it clockwise. When the bowl A④ is properly attached, it is not possible to lift it off the base unit A⑤.

2. Attaching an attachment (kneading hook, beater or whisk)

- When attaching an attachment, the arm A⑧ must be secured in the open position, see point 1.2 in chapter Inserting the mixing bowl. Attach one of the attachments on to the shaft of the mixing head A⑨ so that the shaft A⑨ fits into the hole on the attachment. Push the attachment towards the mixing head A⑧ and turn it anticlockwise to secure it to the shaft A⑨.
- With one hand, hold the attachment and gently pull it downwards. If it is properly secured to the shaft A⑨, it will not come off.
- If you will not be immediately placing ingredients into the mixing bowl A④, slide the button A⑩ upwards, hold it down and tilt the arm A⑧ to the horizontal position. After tilting the arm A⑧ to the horizontal position, release the button A⑩.

3. Removing the attachments and mixing bowl

- Slide button A⑩ upwards and hold it there. Tilt out the arm A⑧. To lock the arm A⑧ in the open position, release button A⑩.
- Hold the attachment and gently push it against the mixing head A⑧. Then rotate it clockwise until it is released from the shaft A⑨ and take it off. Turn the mixing bowl A④ anticlockwise and take it off the base unit A⑤. Move the arm A⑧ back to the horizontal position.

Food Processor

STM 40WH / STM 41GR / STM 42BL / STM 43OR
STM 44RD / STM 45VT / STM 46YL / STM 47GG / STM 48RS

EN

USING THE MIXER

1. Tilt out the arm A⑧ and place ingredients into the bowl A④ located in the base unit A⑤.



Attention:

The maximum weight of the ingredients that can be processed in a single batch is 1.5 kg. The maximum number of egg whites that can be whisked at once is 8 pieces.

2. Tilt the arm A⑧ with the attached attachment down to the horizontal position.
3. Make sure that the food processor is correctly assembled and that the speed control knob A⑩ is set to the OFF position (stand-by mode). Connect the power cord to an el. power socket.
4. Use the speed control knob A⑩ to set the required speed level from 1 to 8. First, set a lower speed to prevent ingredients from being splattered around. As soon as they are mixed together, increase the speed to the required level. The speed can be adjusted at any time as required.



Attention:

If it is necessary to wipe ingredients off the inside of the mixing bowl A④ and the attachment, first turn off the food processor by setting the speed control knob A⑩ to the OFF position (stand-by mode) and then disconnect it from the power socket. Then wipe away the ingredients using a plastic spatula.

The maximum operating time is 10 minutes. Do not leave the appliance in continuous operation for longer than indicated above. This is especially true under a heavy load (e.g. when processing heavy, thick doughs). If the appliance is in operation under heavy load, allow it to cool down for at least 30 minutes before turning it on again.

5. After you have finished using the appliance, set the speed control knob A⑩ to the OFF position (stand-by mode) and disconnect the power cord from the power socket.
6. Disassemble the food processor according to the instructions included in chapter Assembling and disassembling the food processor. Use a soft plastic spatula to remove mixes from the mixing bowl A④ and the attachment.
7. Clean out the food processor after each use according to the instructions in chapter Cleaning and maintenance.

QUICK GUIDE TO MIXING

Attachment type	Ingredients	Amount	Processing time	Speed selection
Whisk A②	Egg whites	max. 8 pcs	5 minutes	Level 8
Whisk A②	Cream	250 ml	3 minutes	Level 8
Whisk A②	Mayonnaise	3 egg yolks	1 minute	Level 3–5
Beater A③	Cake dough	approx. 800 g	6 minutes	Level 3–7
Kneading hook A①	Bread dough	max. 600 g of flour	4 minutes	Level 3



Note:

The above processing times are only a reference. To prevent ingredients from splattering out of the bowl, select an initial speed level of 1 or 2. Later set a higher speed based on requirements.

Food Processor

STM 40WH / STM 41GR / STM 42BL / STM 43OR
STM 44RD / STM 45VT / STM 46YL / STM 47GG / STM 48RS

GRINDING MEAT, MAKING SAUSAGES AND KEBABS

ASSEMBLING AND DISASSEMBLING THE MEAT GRINDER

1. Insert the screw shaft B⑤ into the grinding chamber B④ with the cogged wheel entering first.
2. Place the grinding blade B⑥ on to the shaft B⑤ (with the edge facing outwards from the chamber) and attach either the fine or coarse grinding plate B⑧ or B⑨ depending on the preferred coarseness of the grind. Make sure that the notch in the grinding chamber B④ slides into the groove on the grinding plate.

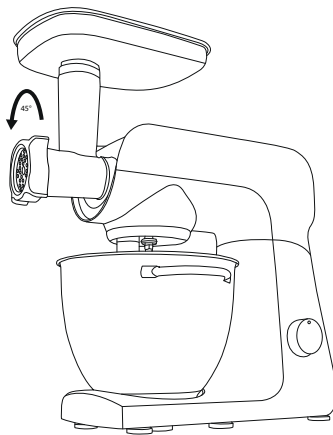


Attention:

When attaching the blade B⑥, be very careful not to injure yourself on the sharp edge.

3. Place the screw cap B⑦ on to the grinding chamber B④ and tighten it securely by screwing it clockwise.
4. Check that the appliance is turned off and disconnected from the el. power socket. The arm A⑧ must be tilted down to a horizontal position and the attachment A①, A② or A③ must be removed. Remove the cover A⑦ from the multi-function head. Push the assembled meat grinder at an angle of 45° against the attachment hub that is located on the front part of the multi-function head and secure it in place by turning it anticlockwise (fig. D). The meat grinder is secured in the vertical position when the push button A⑥ slides out with an audible click. Place the stainless steel hopper B② on to the feed tube B③. The meat grinder is now assembled and ready for use.

D

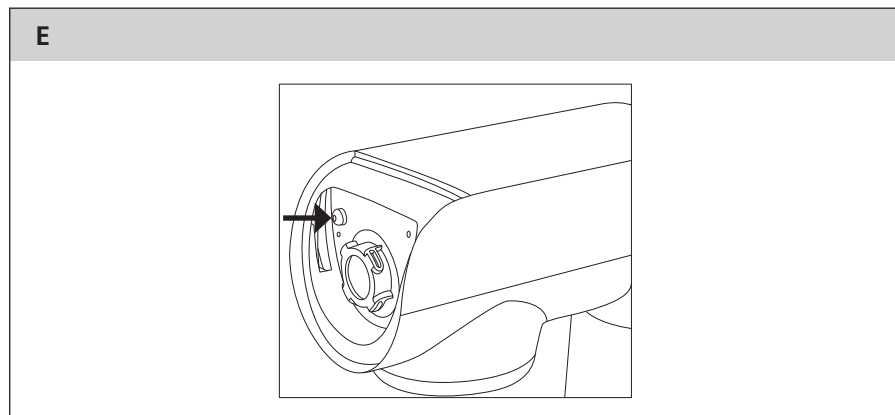


Food Processor

STM 40WH / STM 41GR / STM 42BL / STM 43OR
STM 44RD / STM 45VT / STM 46YL / STM 47GG / STM 48RS

EN

- To disassemble the meat grinder, first remove the hopper B②. Then press the button A⑥ (fig. E) and remove the meat grinder by turning it clockwise. When disassembling the meat grinder into its individual parts, proceed in the reverse sequence.



USING THE MEAT GRINDER

- First prepare the meat for grinding in the following way. Remove all bones, tendons, cartilage and cut the meat into 2x2x6 cm size pieces that will freely pass through the feed tube B③.



Attention:

Do not process frozen meat. Allow it to defrost before grinding it.

- Make sure that the meat grinder is correctly assembled and that the speed control knob A⑩ is set to the OFF position.
- Place the stainless steel bowl A④ or another suitable container under the meat grinder. Insert the power plug into an electrical power socket.
- Use the speed control knob A⑩ to set the desired speed. We recommend that you initially set it to 5 and then lower or increase the speed as required. Gradually place the meat pieces into the feed tube B③ and push them in using the pusher B①. Take care not to clog up the feed tube B③ by a large amount of meat.



Attention:

Do not use fingers or other utensils to push the meat through the feed tube B③. Always use the pusher B① designed for this purpose.

- The ground meat will fall into the prepared bowl. The meat that remains in the grinding chamber B④ can be removed by grinding a slice of bread or a bread roll.
- To turn off the appliance, set the speed control knob A⑩ to the OFF position.
- Clean out the meat grinder after each use according to the instructions in chapter Cleaning and maintenance.

Food Processor

STM 40WH / STM 41GR / STM 42BL / STM 43OR
STM 44RD / STM 45VT / STM 46YL / STM 47GG / STM 48RS

ASSEMBLING AND DISASSEMBLING THE SAUSAGE STUFFER ATTACHMENT

1. When assembling the sausage stuffer for filling sausage casings (making sausages), proceed in the same way as when assembling the meat grinder, only with the difference that instead of the grinding blade B⑥ and the grinding plate B⑧ or B⑨ only parts B⑩ and B⑪ are used.
2. Place the separator B⑩ on to the screw shaft so that the notch in the grinding chamber B④ fits into the groove in the separator B⑩. Place the sausage stuffer attachment B⑪ on to the separator B⑩ and complete the entire sausage stuffer assembly by screwing the screw cap B⑦ on to the grinding chamber B④.
3. To disassemble proceed in the reverse sequence.

USING THE SAUSAGE STUFFER ATTACHMENT

1. Make sure that the appliance is correctly assembled and that the speed control knob A⑪ is set to the OFF position. Insert the power plug into an electrical power socket.
2. Prepare a sausage casing that you will stuff with ground meat and allow it to soak in lukewarm water for approx. 10 minutes. Place the ground meat mixture on to the hopper B②. Take the sausage casing out of the water and skewer or tie up one end and slide the other end like a sock on to the sausage stuffer attachment B⑪.
3. Use the speed control knob A⑪ to set the desired speed. We recommend to initially set the lowest speed and then increase it as required. With one hand hold the sausage casing on the attachment B⑪ and use the other hand to push the ground meat mixture with the pusher B① through the feed tube B③. If the sausage casing sticks to the attachment B⑪, it is necessary to moisten it with water again.



Attention:

Do not use fingers or other utensils to push the ground meat through the feed tube B③. Always use the pusher B① designed for this purpose.

4. To turn off the appliance, set the speed control knob A⑪ to the OFF position.
5. Clean out the individual parts of the attachment after each use according to the instructions in chapter Cleaning and maintenance.

ASSEMBLING AND DISASSEMBLING THE KEBAB MAKER ATTACHMENT

1. When assembling the kebab maker attachment, proceed in the same way as when assembling the meat grinder, only with the difference that instead of the grinding blade B⑥ and the grinding plate B⑧ or B⑨ only parts B⑫ a B⑬ are used.
2. Place the moulder B⑫ on to the screw shaft so that the notch in the grinding chamber B④ fits into the groove in the moulder B⑫. Place the kebab moulder attachment B⑬ on to the conical attachment B⑬ and complete the entire kebab maker assembly by screwing the screw cap B⑦ on to the grinding chamber B④.
3. To disassemble proceed in the reverse sequence.

USING THE KEBAB MAKER ATTACHMENT

1. Make sure that the appliance is correctly assembled and that the speed control knob A⑪ is set to the OFF position. Insert the power plug into an electrical power socket.
2. Place the ground kebab meat mixture on to the hopper B②. Use the speed control knob A⑪ to set the desired speed. We recommend to initially set lower speed and then increase it as required. Using the pusher B①, push the mixture through the feed tube B③. The result will be a hollow meat

Food Processor

STM 40WH / STM 41GR / STM 42BL / STM 43OR
STM 44RD / STM 45VT / STM 46YL / STM 47GG / STM 48RS

EN

tube that is then cut into smaller pieces. The kebab is a traditional meal from the Middle East made predominantly from ground meat and whole grain wheat.

**Attention:**

Do not use fingers or other utensils to push the ground meat mixture through the feed tube B③. Always use the pusher B① designed for this purpose.

3. To turn off the appliance, set the speed control knob A⑩ to the OFF position.
4. Clean out the individual parts of the attachment after each use according to the instructions in chapter Cleaning and maintenance.

GRATING AND SLICING

ASSEMBLING AND DISASSEMBLING THE GRATING AND SLICING ATTACHMENT

1. The attachment is assembled by inserting one of the graters C④, C⑤ or C⑥ into the chamber C③.
2. Check that the appliance is turned off and disconnected from the el. power socket. The arm A⑧ must be tilted down to a horizontal position and the attachment A①, A② or A③ must be removed. Remove the cover A⑦ from the multi-function head and push the assembled attachment at an angle of 45° against the attachment hub that is located on the front part of the multi-function head and secure it in place by turning it anticlockwise (fig. D). The attachment is secured in the vertical position when the push button A⑥ slides out together with an audible click.
3. Now the attachment is ready for operation.
4. To disassemble, press the button A⑥ (see fig. E) and remove the attachment by turning it clockwise. When disassembling the attachment into its individual parts, proceed in the reverse sequence.

USING THE GRATING AND SLICING ATTACHMENT

1. The attachment is designed for grating or slicing fruit and vegetables (e.g. potatoes, beetroot, cabbage, carrot, cucumber, apples, etc.) and for making breadcrumbs.
2. Prepare the ingredients and cut them into pieces that will pass through the feed tube C②. Remove kernels and stones from the fruit and vegetables.

**Attention:**

Do not process frozen food. Under no circumstances should you attempt to process hard stones that are found for example in mango or avocado.

3. Make sure that the appliance is correctly assembled and that the speed control knob A⑩ is set to the OFF position. Insert the power plug into an electrical power socket.
4. Place the stainless steel bowl A④ or another suitable container under the attachment. Use the speed control knob A⑩ to set the desired speed. We recommend to initially set the lowest speed and then increase it as required.
5. Gradually add the ingredients into the feed tube C② and push through using the pusher C①.

**Attention:**

Do not use fingers or other utensils to push ingredients through the feed tube C②. Always use the pusher C① designed for this purpose.

6. To turn off the appliance, set the speed control knob A⑩ to the OFF position.
7. Clean out the individual parts of the attachment after each use according to the instructions in chapter Cleaning and maintenance.

Food Processor

STM 40WH / STM 41GR / STM 42BL / STM 43OR
STM 44RD / STM 45VT / STM 46YL / STM 47GG / STM 48RS

CLEANING AND MAINTENANCE

- Before cleaning the food processor, always turn it off by setting the speed control knob A⑪ to the OFF position and disconnect it from the power socket.
- After each use, thoroughly wash the accessories (assembled attachments must be first disassembled into their individual parts) with warm water and neutral kitchen detergent. Then rinse under clean running water and wipe dry with a fine wiping cloth. After washing and drying, we recommend to coat the grinding plates B⑥ and B⑨ and the blade B⑥ with cooking oil.

**Attention:**

Pay increased attention when handling the grinding blade B⑥ to avoid injury.

Plastic accessories may be washed in a dishwasher. Do not wash metal parts in a dishwasher, otherwise their surface may be damaged. Certain foods may cause discolouration of plastic parts on accessories. If this occurs, coat these parts with cooking oil and then wash in the normal way.

**Tip:**

If you whisked egg whites, first rinse the whisk A② and the mixing bowl A④ under cold water. If you were to use hot water, the egg white remains would harden and their removal would be more difficult.

- To clean the base A⑤ and the arm A⑧, use a cloth dipped in a weak detergent solution. Then wipe everything dry.
- Never submerge the appliance or its power cord in water or any other liquids. For cleaning do not use thinners or solvents or cleaning agents causing abrasion. Otherwise the surface of the appliance may be damaged.

STORAGE

- If you will not be using the food processor, store it in a dry place out of children's reach. Make sure that the arm A⑧ is tilted into the horizontal position.

Food Processor

STM 40WH / STM 41GR / STM 42BL / STM 43OR
STM 44RD / STM 45VT / STM 46YL / STM 47GG / STM 48RS

EN

TIPS AND ADVICE FOR PREPARING VARIOUS TYPES OF DOUGHS AND BAKING THEM

BREAD DOUGH – INGREDIENTS

FLOUR

This is the most important ingredient used for baking bread. Together with yeast it creates the texture of the loaf. When it is mixed with a liquid, the proteins contained in it start to create gluten. Gluten is a web of flexible fibres which entrap gases produced by the yeast.

White wheat flour

It is sold as baking flour, bread flour or fine wheat flour. Fine flour is the most readily available, nevertheless, you will achieve better result with flour with a protein content of at least 11% to 12%. The recipes included in this user's manual require the use of bread flour with a protein content of 11%. This information is provided on the packaging of the flour. Do not sieve the flour or use flour with baking powder unless specified in the recipe.

Whole grain wheat flour

It is produced from wheat grains and contains bran and germ. Bread baked from this type of flour will be denser. You will achieve a less dense bread by replacing one cup of whole grain flour with one cup of white bread flour.

Rye flour

It is very popular in bread making. It contains a large amount of mineral compounds, but has a low protein content and so it is usually combined with wheat flour to ensure that the bread rises well.

Gluten flour

It is produced by extracting gluten from wheat grains. Adding gluten flour can improve the texture and quality of the bread when using a flour with a lower protein content.

BREAD MIXES

They contain flour, sugar, dried milk, salt and other ingredients such as bread improver. Usually water and yeast is added.

BREAD IMPROVER

It is available in supermarkets and health food stores. The ingredients contained in bread improver are usually food processing industry acids such as ascorbic acid (vitamin C) and enzymes (amylase) extracted from wheat flour.

Bread improver will help in firming up the dough, thus achieving a larger size loaf and finer texture. The bread is more stable and lasts longer.

SUGAR

It provides sweetness, flavour and a brown colour to the bread crust. It is added to yeast. White sugar, brown sugar or honey are suitable.

DRIED MILK AND DAIRY PRODUCTS

They enrich the taste and increase the nutritional value of the bread. Dried milk is suitable and easy to use. Store it in an air-tight container in the refrigerator. Likewise, dried soya milk may be used but it makes the bread tougher. Fresh milk should not be substituted unless indicated in the recipe otherwise.

SALT

It is an important ingredient for baking bread. It increases the absorption capacity of the dough, improves kneading, supports gluten development and has an effect on the shape of the loaf, texture of the crumb, taste and increases the lifetime of the bread. Measure it out carefully as it prevents the bread from rising.

Food Processor

STM 40WH / STM 41GR / STM 42BL / STM 43OR
STM 44RD / STM 45VT / STM 46YL / STM 47GG / STM 48RS

FAT

Adds flavour and retains moisture. Vegetable oils such as safflower, sunflower or rape seed oil may be used. Oils can be substituted for by butter or margarine, however the crust colour may become yellowish.

YEAST

It is used as a leavening agent. The recipes in this user's manual use dried yeast. Prior to using dried yeast, always check the use-by-date because yeast with an expired use-by-date may cause the dough not to rise.

Three times as much fresh or pressed yeast must be used compared to dried yeast. To create a starter, one needs liquid, sugar and heat.

FAST RISING YEAST

It is a mix of yeast and bread improver. If you wish to replace standard yeast in your recipe with this type of yeast then leave out the bread improver. Fast rising dough should not be used in combination with bread mixes as a bread improver is usually already contained in them.

WATER

Standard tap water is usually used. It is necessary to warm cold water up to room temperature before use. Water that is too cold or too hot will prevent the starter from forming.

EGGS

They are used in certain bread recipes. They help the dough to rise and increase the nutritional value of the bread. They add flavour and a fine crust and usually are used for sweeter types of bread.

OTHER INGREDIENTS

Ingredients such as dried fruit, nuts, chocolate chips, etc. which should remain whole in the baked bread, should be mixed into the dough. They should be added to the dough gradually during the kneading process before the dough rises.

BREAD DOUGH – PREPARATION

- Check the minimum lifetime or the use-by-date of all the ingredients.
- Add the ingredients in the order that they are provided in the recipe.
- Store opened foods in air-tight containers.
- Allow ingredients that you have taken out of the refrigerator to first reach room temperature before using them.
- If not indicated in the recipe otherwise, use bread flour. Do not use flour with a protein content lower than 11%.
- Do not use flour with baking powder for making a yeast-based bread, unless indicated otherwise in the recipe.
- If you live in a location that is above 900 m above sea level, you will probably need to adjust the amount of yeast indicated in the recipe. The higher the above-sea-level altitude, the lower the air pressure and the faster dough rises. It is recommended to use ¼ of a teaspoon of yeast less than indicated in the recipe.
- If the weather is hot and humid, use ¼ of a teaspoon of yeast less than is indicated in the recipe to prevent the dough from over-rising.
- The properties of the flour may change with the season or type of storage. Then it is necessary to adjust the water to flour ratio in the following way. If the dough is too sticky, add 1 to 2 tablespoons of flour. If the dough is too dry, add 1 to 2 tablespoons of water. Several minutes are needed for these ingredients to be absorbed. It should be possible to shape a dough with the right amount of flour and water into a smooth loaf that is moist to touch but not sticky.

Food Processor

STM 40WH / STM 41GR / STM 42BL / STM 43OR
STM 44RD / STM 45VT / STM 46YL / STM 47GG / STM 48RS

EN

How to prepare a yeast starter

- Pour the amount of warm water indicated in the recipe into a clean glass bowl. Then add the necessary amount of fresh or pressed yeast together with 1 teaspoon of sugar and one teaspoon of flour. Carefully mix everything together and cover with a plastic bag. Leave it in a warm place (30 °C) for approximately 30 minutes or until the mixture foams up. This mixture should be used immediately.

Rising in a warm location

- Yeast, whether it be during fermentation or in the dough, requires heat to grow in volume. Create a warm place for rising your dough by placing a metal baking tray onto a bowl with sufficiently hot water. Place the prepared dough on to the baking tray and cover with a lightly greased thicker plastic bag or a kitchen wiping cloth. A warm location without a draft is required for dough to rise. Allow the dough to rise until it doubles in volume.

CAKE AND PASTRY DOUGH – INGREDIENTS

FLOUR

Flour used for cakes and fine pastries should have a lower protein (gluten) content, than flour used for baking bread.

Medium-fine and fine flour

This flour has a lower protein (gluten) content and gives the baked goods, such as cakes, tarts, fine pastry, pancakes a finer texture.

Flour with baking powder

It is a mixture of flour and leavening agents such as baking powder. To make 1 cup of the flour and baking powder mixture, mix 1 cup of flour with 2 teaspoons of baking powder.

Whole grain flour

Contains bran and wheat germ and may be used in doughs for tarts and pies. The texture of a product made from whole wheat flour will be denser.

Corn flour

It is made from corn and is used for certain baked goods to which it loans a finer texture. It may be used to thicken sauces and desserts.

Rice flour

It is made from rice and is used to make the texture of baked goods finer, for example for shortcrust pastry.

BAKING POWDER

It is used as a leavening agent in baking.

BAKING SODA

It is known as sodium bicarbonate. It can be used as an additional leavening agent or for darkening certain baked goods.

BUTTER

It provides a specific taste and a fine texture to baked goods. In certain recipes it is possible to substitute oil for butter, however the resulting taste and texture of the baked good will be different. In this case, use ¼ less butter than the amount of oil indicated in the recipe. Before you start whipping butter together with sugar, allow it to soften at room temperature.

Food Processor

STM 40WH / STM 41GR / STM 42BL / STM 43OR
STM 44RD / STM 45VT / STM 46YL / STM 47GG / STM 48RS

EGGS

Eggs should be at room temperature to give the correct volume to baked goods. Crack the eggs individually into a separate bowl and only then add to the other ingredients. This will prevent ruining the entire batch if one of the eggs is rotten. If you will be whisking the egg whites, carefully separate them from the yolks. Egg yolks contain fat and their remains prevent the successful whipping up of egg whites. Before you start whipping the egg whites, make sure that the whisk and the mixing bowl are completely clean and without fat residues. Otherwise, the egg whites might not be perfectly whipped.

MILK

Full-cream milk should be used unless indicated in the recipe otherwise. Low-fat or half-cream milk can be used but the final taste and texture of the baked goods may be different.

SUGAR

Usually white granulated sugar is used. It adds flavour, texture and colour to baked goods. Caster sugar is also frequently used because it dissolves easier when it is whipped with butter. Brown sugar may be used to add a different taste and colour to the baked goods.

BAKING

- Allow the oven to preheat to the correct temperature before starting baking.
- The baking temperature may differ depending on the type of baking oven. Reduce the temperature indicated in the recipe by 15 – 20 °C if using a hot-air oven.
- Instead of floured baking pans and trays, you can use parchment paper if appropriate. You can coat the baking pan with a small amount of fat to prevent the parchment paper from sliding on the smooth surface of the baking pan.
- Test that the baked good is finished before taking it out of the oven. Gently touch the top of the baked good, if it returns to its initial shape, it should be properly baked. Carefully insert a skewer into the middle of the baked good and pull it out. If the dough does not stick to the skewer, the baked good is finished.
- To make biscuits crispier, take the baking tray out of the oven and place it onto a metal rack. Move the individual items on the baking tray from their baking location and allow them to cool down. Once they cool down move them from the baking tray to a platter.

RECIPES

Sponge cake

4 eggs, separated egg whites from yolks
¼ of a cup of caster sugar
1 cup (150 g) of medium-fine flour with baking powder, sieved
3 tablespoons of water

- Use the whisk A②.
- Set the speed level to 8 and whisk up the egg whites into a thick foam. Reduce the speed level to 1 and slowly add sugar until the foam thickens and stops to be smooth.
- Add the egg yolks and mix carefully.
- Set the speed level to 1 and intermittently add flour and water. Whisk until the ingredients combine.
- Pour the dough into a pre-prepared greased and floured baking pan.
- Bake in a preheated oven at 180 °C for approx. 20–25 minutes.
- Allow the baked sponge cake to cool down on a metal rack.

Vanilla batter dough cake

125 g of butter, softened
¾ of a cup of caster sugar
1 teaspoon of vanilla essence
2 egg
2 cups (300 g) of medium-fine flour with baking powder, sieved
¾ of a cup of milk

- Use the beater A③.
- Set the speed to 8 and beat the butter together with sugar until the mixture is fluffy and smooth.
- Add the vanilla essence, eggs one after the other and beat them thoroughly.
- Reduce the speed to 2 and slowly intermittently add flour and milk and beat until a smooth dough forms.
- Pour the dough into a pre-greased and floured baking pan with a diameter of 22 cm.
- Bake in a preheated oven at 180 °C for approximately 45–50 minutes or until the dough is golden in colour.
- Allow the baked cake to cool down on a metal platter.

Butter biscuits (approx. 40 pcs)

125 g of butter, softened
¾ of a cup of caster sugar
1 teaspoon of vanilla essence
1 egg
2 cups (300 g) of medium-fine flour
1 teaspoon of baking powder

- Use the beater A③.
- Set the speed to 8 and beat the butter until smooth. Add sugar, vanilla essence and the egg. Beat until a light smooth mixture is created.
- Mix the flour and the baking powder.

Food Processor

STM 40WH / STM 41GR / STM 42BL / STM 43OR
STM 44RD / STM 45VT / STM 46YL / STM 47GG / STM 48RS

- Set the speed to 2 and gradually add the flour until everything is properly combined into a single mass. Do not, however, beat for too long.
- Use a teaspoon to form small balls and lay them out evenly on to a lightly greased or parchment paper covered baking tray. Leave sufficient room around each ball. Using a lightly floured fork, push down each of the balls.
- Bake in a preheated oven at 190 °C for approximately 12-15 minutes or until the biscuits are lightly golden in colour.
- Take the biscuits off the baking tray and leave to cool down on a metal rack.

Cream snow puffs (20–24 pcs)

4 egg whites
1 cup of caster sugar

- Use the whisk A②.
- Set the speed level to 8 and whip up a thick snow from the egg whites. Lower the speed to level 1 and carefully add half the sugar and whip it in. Then add the remaining sugar.
- Using a spoon, apply a small amount of the snowy mixture on to a lightly greased baking tray. Leave about 3 cm around the individual pieces so that they do not bake to one another.
- Bake in the oven at 120 °C about 1 to 1½ hours or until the snow puffs are dry. To avoid burning them, do not, however, bake them too long. Take them off the baking tray and put them aside to cool down and store them in an air-tight container.



Note:

You can use a decorating tool to create larger snow puffs. This may necessitate a longer baking time.

White bread

4 cups (600 g) of bread flour
3 tablespoons of dried milk
1½ teaspoons of salt
1½ tablespoons of sugar
1 teaspoon of bread improver
2 teaspoons of instant yeast
2 tablespoons of oil
1½ cups (375 ml) of water
additional bread flour for hand kneading

- Use the kneading hook A①.
- In the mixing bowl, mix the flour, dried milk, salt, sugar, bread improver and the instant yeast.
- Set the speed to 1–2 and slowly add water and oil into the dry mix. Leave it to knead until a dough starts to form.
- Move the dough on to a lightly floured rolling board and thoroughly knead by hand until the dough is sufficiently fine and smooth.



Note:

At this stage, the dough should be very well kneaded so that gluten is formed, which gives the dough the correct elasticity and helps it to rise.

- Place the dough into a large bowl and cover with plastic wrap. Allow it to rise in a warm place for about 20 minutes or until the dough doubles in size.

Food Processor

STM 40WH / STM 41GR / STM 42BL / STM 43OR
STM 44RD / STM 45VT / STM 46YL / STM 47GG / STM 48RS

EN

- Take the risen dough out of the bowl and knead once more on a lightly floured rolling board.
- Place the dough into a baking pan. Cover with plastic wrap and allow it rise in a warm place for about 30–40 minutes or until the dough has risen sufficiently. Remove the plastic wrap.
- You can apply an egg glaze before baking.
- Bake in a preheated oven at 200 °C for approximately 40–50 minutes or until the bread is golden in colour.
- Allow the baked bread to cool down for 15 to 20 minutes and then remove it from the baking pan. Allow the loaf to cool down completely before cutting it, to prevent it from collapsing.

Egg glaze for bread dough

1 egg, lightly beaten
2–3 tablespoons of water

- Mix both ingredients together until a smooth mixture is formed. Do not whip. If necessary strain through a sieve. Brush the egg glaze on to the bread dough before baking.

Focaccia (2–4 portions)

3 cups (450 g) of bread flour
1 teaspoon of salt
2 teaspoons of sugar
2 teaspoons of instant yeast
2 tablespoons of olive oil
1 cup (250 ml) of water

For glazing:

2 tablespoons of olive oil
1 tablespoon of coarse salt
2 tablespoons of black olives, sliced

- Use the kneading hook A①.
- In the mixing bowl, mix the flour, salt, sugar and yeast.
- Set the speed to 1–2 and slowly add water and oil into the dry mix. Leave it to knead until a dough starts to form.
- Move the dough on to a lightly floured rolling board and thoroughly knead by hand until a fine smooth dough forms.
- Place the dough into a large bowl and cover with plastic wrap. Allow it to rise in a warm place for about 20 minutes or until the dough doubles in size.
- Take the risen dough out of the bowl and knead once more on a lightly floured rolling board.
- Place the dough into a lightly greased Teflon baking pan of dimensions 20 × 30 cm and roll into the shape of the baking pan.
- Lightly cover with plastic wrap and allow it rise in a warm place for about 20–30 minutes or until the dough has risen a little. Remove the plastic wrap.
- Brush the dough with olive oil and sprinkle on the coarse salt and sliced olives.
- Bake in a preheated oven at 200 °C for approximately 30–35 minutes or until the focaccia bread is golden in colour.
- After taking it out of the oven, allow it to cool down on a metal rack.

Food Processor

STM 40WH / STM 41GR / STM 42BL / STM 43OR
STM 44RD / STM 45VT / STM 46YL / STM 47GG / STM 48RS

TECHNICAL SPECIFICATIONS

Rated voltage range	220–240 V
Rated frequency	50/60 Hz
Rated power input	1000 W
Noise level	79 dB(A)

The declared noise emission level of the appliance is 79 dB(A), which represents a level A of acoustic power with respect to a reference acoustic power of 1 pW.

Changes to text and technical parameters are reserved.

INSTRUCTIONS AND INFORMATION REGARDING THE DISPOSAL OF USED PACKAGING MATERIALS

Dispose of used packaging material at a site designated for waste in your municipality.

DISPOSAL OF USED ELECTRICAL AND ELECTRONIC EQUIPMENT



This symbol on products or original documents means that used electric or electronic products must not be added to ordinary municipal waste. For proper disposal, renewal and recycling hand over these appliances to determined collection points. Alternatively, in some European Union states or other European countries you may return your appliances to the local retailer when buying an equivalent new appliance. Correct disposal of this product helps save valuable natural resources and prevents potential negative effects on the environment and human health, which could result from improper waste disposal. Ask your local authorities or collection facility for more details. In accordance with national regulations penalties may be imposed for the incorrect disposal of this type of waste.

For business entities in European Union states

If you want to dispose of electric or electronic appliances, ask your retailer or supplier for the necessary information.

Disposal in other countries outside the European Union.

This symbol is valid in the European Union. If you wish to dispose of this product, request the necessary information about the correct disposal method from the local council or from your retailer.



This appliance meets all the basic requirements of EU directives related to it.