



De'Longhi America, Inc.

Park 80 West, Plaza One
Saddle Brook, NJ 07663
1-800-322-3848

De'Longhi Canada, Inc.

6150 McLaughlin Road
Mississauga, Ontario
L5R 4E1 Canada
1-888-335-6644

Fiducia Italiana S.A de C.V.

Pestalozzi 814
Col. Del Valle
Del. Benito Juarez
México D.F. 03100
tels: 5543 1447 y 5543 6492
Lada sin costo: 01800 711 8805

www.delonghi.com

5713212801/07.09

COFFEE MAKER ECO310

IMPORTANT INSTRUCTIONS - SAVE THESE INSTRUCTIONS

Register this product on-line and receive a free trial issue of Cook's Illustrated.

Visit <http://registration.delonghi-csservice.com>.

Visit www.delonghi.com for a list of service centers near you. (U.S. and Canada only).

MACHINE À CAFÈ ECO310

MODE D'EMPLOI IMPORTANT - CONSERVEZ LES PRESENTES INSTRUCTIONS

Enregistrez ce produit en ligne et recevez un numéro gratuit de Cook's Illustrated. Visitez <http://registration.delonghi-csservice.com>. Visitez www.delonghi.com pour y voir une liste des centres de réparation proches de chez vous. (É.-U. et Canada seulement).

CAFETERA ECO310

INSTRUCCIONES IMPORTANTES- REPASE Y GUARDE ESTAS INSTRUCCIONES- LEA ESTE INSTRUCTIVO ANTES DE UTILIZAR EL APARATO

Registre este producto en línea y reciba un ejemplar gratis de Cook's Illustrated.

Visite <http://registration.delonghi-csservice.com>.

Visite www.delonghi.com para ver la lista de centros de servicios cercanos a usted.

(Sólo Estados Unidos y Canada)

MACCHINA PER CAFFÈ ECO310

ISTRUZIONI IMPORTANTI- CONSERVARE LE ISTRUZIONI

Registra questo prodotto "on-line" per ricevere una copia omaggio della rivista "Cook's Illustrated".

Visita <http://registration.delonghi-csservice.com>.

Visita www.delonghi.com per una lista dei centri di servizio a te più vicini.

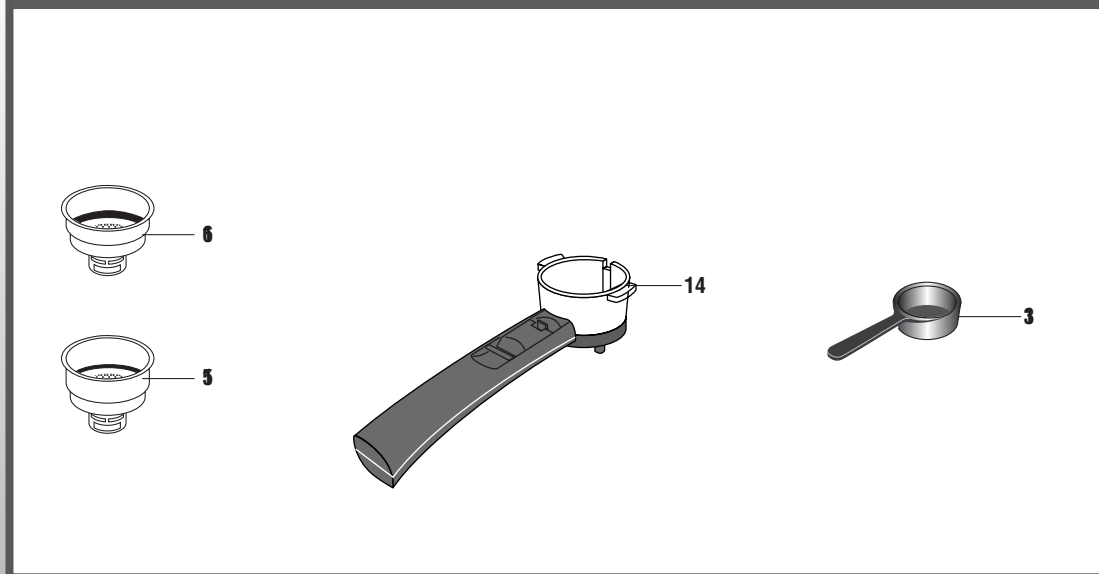
(Solo Stati Uniti e Canada)

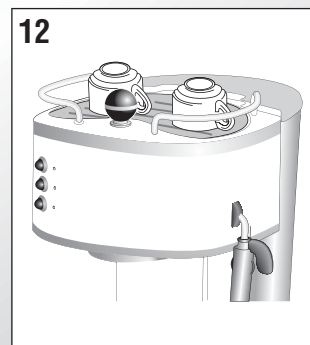
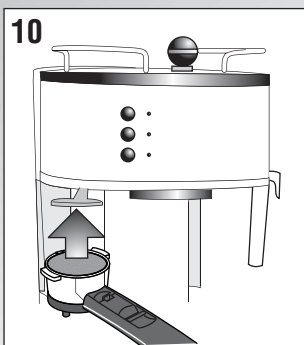
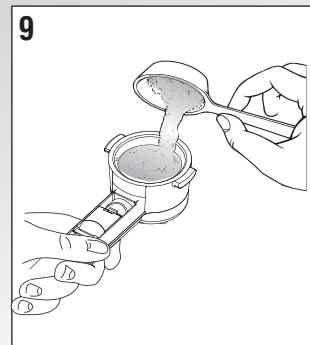
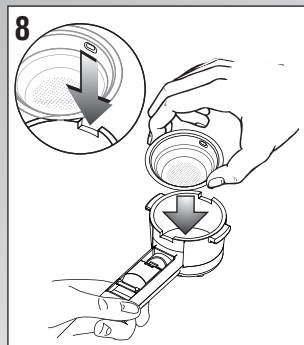
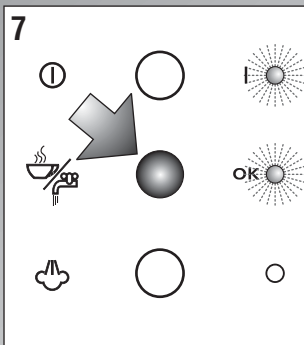
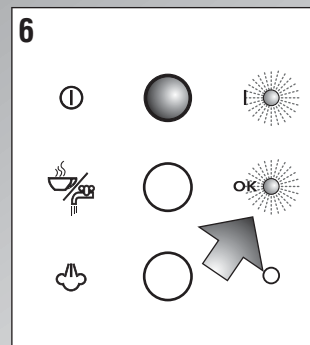
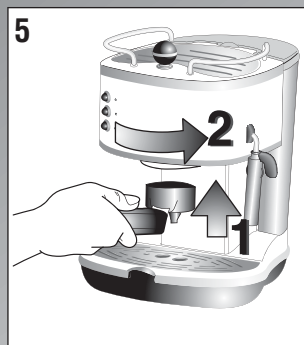
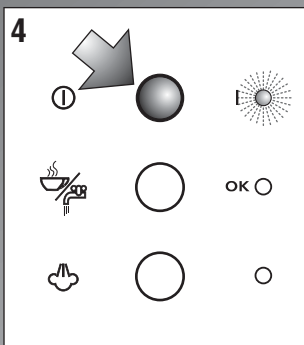
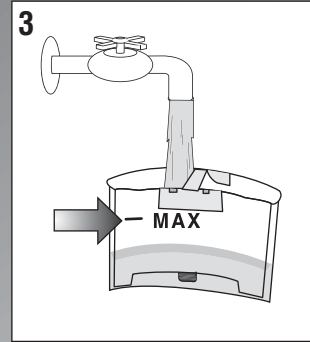
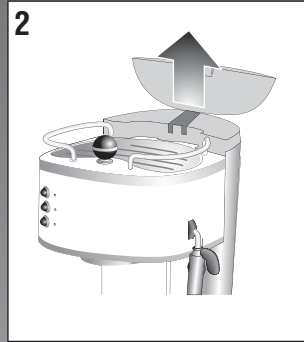
ELECTRONIC CHARACTERISTICS:
CARACTÉRISTIQUES ÉLECTRIQUES:
CARACTERISTICAS ELECTRICAS:
CARATTERISTICHE ELETTRICHE:

120V-60Hz 1100W









IMPORTANT SAFEGUARDS

When using electrical appliances, basic safety precautions should always be followed, including the following:

- Read all instructions.
- Do not touch hot surfaces. Use handles and knobs.
- To protect against fire, electrical shock and personal injury, do not immerse cord, plug or appliance in water or other liquid.
- Never allow the appliance to be used by children.
- Unplug from the outlet when not in use and before cleaning. Allow to cool before fitting or taking off parts, and before cleaning the appliance.
- Do not operate with a damaged cord or plug, or after the appliance malfunctions, or has been damaged in any manner. Return the appliance to the nearest authorized service facility for examination, repair or adjustment.
- The use of accessory attachments or spare parts not recommended by the appliance manufacturer may result in fire, electrical shock or personal injury.
- Do not use outdoors.
- Do not let the cord hang over the edge of the table or counter, or touch hot surfaces.
- Do not place on or near a hot gas or electrical burner, or in a heated oven.
- Plug cord into the wall outlet. To disconnect, turn any control to “off”, then remove plug from wall outlet.
- Do not use the appliance for other than the intended use. This appliance is to be utilized for domestic use only. Any other use is to be considered improper and therefore, dangerous.

WARNING: To reduce the risk of fire or electric shock, do not remove the exterior of the unit or the cover. Don't attempt to repair or modify the machine, doing so will void the warranty. Repair should be done by authorized service personnel only!

SAVE THESE INSTRUCTIONS

THIS PRODUCT IS FOR HOUSEHOLD USE ONLY

SHORT CORD INSTRUCTIONS

- A short power cord is provided to reduce risks resulting from becoming entangled in or tripping over a longer cord.
- Longer, detachable power supply cords or extension cords are available and may be used if care is exercised in their use.
- If an extension cord is used, the marked electrical rating should be at least as great as the electrical rating of the appliance. If the appliance is provided with 3- wire, grounding type cord, the extension should be a GROUNDING TYPE 3 - WIRE CORD. The longer cord should be arranged so that it will not drape over the counter-top or table top where it can be pulled on by children or tripped over.
- Your product is equipped with a polarized alternating current line plug (a plug having one blade wider than the other). This plug will fit into the power outlet only one way. This is a safety feature. If you are unable to insert the plug fully into the outlet, try reversing the plug. If the plug should still fail to fit, contact your electrician to replace your obsolete outlet. Do not defeat the safety purpose of the polarized plug.


INTRODUCTION


Thank you for having chosen our coffee machine. We hope you have fun with your new appliance. Take a few minutes to read these instructions. This is the only way to avoid danger and damage to the machine.


Symbols used in these instructions

The important recommendations have these symbols. These recommendations must be followed.

 **Danger!** Failure to comply can be or is the cause of injury due to life-threatening electric shocks.


 **Attention!** Failure to comply can be or is cause of injury or damage to the appliance.

 **Scalding hazard!** Failure to comply can be or is the cause of scalding or burns.

 **Information:** This symbol highlights recommendations and important information for the user.


SAFETY


Fundamental recommendations regarding safety


 **Danger!** This is an electrical appliance and may therefore cause electric shock.

Follow the safety recommendations given:

- Do not touch the appliance when you have wet hands or feet.
- Do not touch the plug with wet hands.
- Make sure that the outlet used can always be easily reached, so that the plug can be removed when required.
- Do not pull on power cable when removing plug as this could cause damage. Pull plug directly from the outlet.
- Remove the plug from the outlet to disconnect the appliance completely.
- Do not attempt to repair the appliance if it should malfunction. Switch the appliance off, remove the plug from the socket and contact customer service.
- If the plug or power supply cable are damaged, have them replaced only by De'Longhi authorized service centers, in order to prevent risks.

 **Attention:** Keep the packaging material (plastic bags, expanded polystyrene) out of the reach of children.

 **Attention:** The appliance is not intended for use by persons (including children) with reduced physical, sensory or mental capabilities, or lack of experience and knowledge, unless they have been given supervision or instruction concerning use of the appliance by a person responsible for their safety. Children should be supervised to ensure that they do not play with the appliance.

 **Scalding hazard!** This appliance produces hot water and steam may form when it is operating. Pay attention not to come into contact with hot water sprays or steam. Do not touch the cup warmer plate when the appliance is on; it is hot.

Use in compliance with destination.

This appliance is manufactured for the preparation of coffee and to heat beverages.

The appliance is designed and produced for domestic use only. It is not suitable for use in:

- staff kitchens in shops, offices and other workplaces.
 - hotels, motels or other holiday accommodation
- Any other use must be considered improper and therefore dangerous.


The manufacturer is not liable for damage deriving from the improper use of the appliance.

Instructions for use

Read these instructions carefully before using the appliance .

- Failure to comply with these instructions can lead to injury and damage to the machine.

The manufacturer is not liable for damage deriving from the failure to comply with the user instructions.

 **Information** Keep these instructions safe. If the appliance should be transferred to other persons, these instructions must accompany it.

DESCRIPTION

1. Control panel
2. Steam knob
3. Water tank
4. Water tank lid
5. Power supply cable
6. Frother tube
7. Cup tray
8. Drip tray
9. Frothing cover
10. Frothing nozzle
11. Boiler outlet
12. Coffee tamper
13. Measure for ground coffee
14. Filter-holder
15. Large filter 2 doses

16. Small 1 dose filter or for pods
17. Steam function selection button
18. Coffee or hot water button
19. On/off button
20. On indicator light
21. OK indicator light
22. Steam function selected indicator light
23. Cup warmer plate

PRELIMINARY OPERATIONS

Check after transport

After the packaging has been removed, check the integrity of the appliance and the presence of all accessories.

Do not use the appliance in the presence of obvious damage. Contact the De'Longhi customer service center.

Installing the appliance

The following safety measures must be complied with when installing the appliance:

- The appliance could be damaged by the penetration of water.
Do not position the appliance near sinks or faucets.
- The appliance could be damaged if the water it contains freezes. Do not install the appliance in a room where the temperature can fall below freezing point.
- Position the power supply cable in a way that it cannot be damaged by sharp edges or by contact with hot surfaces (e.g. electric plates).

Connecting the appliance



Attention! Make sure that the electric voltage corresponds with that indicated on the data plate on the base of the appliance.

- Only connect the appliance to correctly installed socket with minimum rating of 12A and efficient earthing.
- In the case of incompatibility between the socket and the plug on the appliance, have the plug replaced by a qualified technician.
- The power supply cable on this appliance must never be replaced by the user as special tools are needed for this operation. Contact a De'Longhi authorized customer service center if the cable is damaged or must be replaced, in order to avoid all risks.

Filling the water tank

1. Open the water tank lid (fig. 1) and then lift the tank to remove it (fig. 2).
2. Fill the tank with fresh water but do not pass MAX. (fig. 3). Re-position the tank by pressing it lightly in place to open the valve situated on the base of the tank itself.

3. Alternately, do not remove the tank, fill by pouring in water from a jug.



Attention: do not operate the appliance without water in the tank and always fill it when the water is a few centimeters from the bottom.



Information: it is normal to find water in the compartment under the tank; dry using a clean sponge.

HOW TO PREPARE ESPRESSO COFFEE

Pre-heating the coffee machine

It is advised to pre-heat the coffee machine as follows in order to obtain an espresso coffee at the right temperature:

1. Press the ON/OFF button (the relative indicator light switches on) (fig. 4) and attach the empty filter-holder to the machine (fig. 5) by fitting filter holder into place and turning from left to right.
2. Place a cup under the filter-holder. Use the same cup in which the coffee is to be served so that it can be pre-heated.
3. Wait until the OK light comes on (fig. 6) and then press the coffee button (fig. 7). Allow the water to run until the OK light switches off and then stop the water by pressing the coffee button again (fig. 7).
4. Empty the cup, wait for the "OK" light to switch on again and repeat the same operation again.

(It is normal for a small, harmless puff of steam to be released when the filter-holder is removed).

HOW TO PREPARE THE ESPRESSO USING GROUND COFFEE

1. After having pre-heated the machine as described in the previous paragraph, insert the ground coffee filter into the filter-holder, making sure that the projection is correctly inserted into the relative seat as indicated in fig. 8. Use the smallest filter for one coffee or the larger one to make two cups of coffee.
2. To prepare one coffee, fill the filter with a level measuring scoop of ground coffee, about 2 tsp (7g) (fig. 9). If you wish to prepare two cups of coffee, fill the filter with two less-than-level measuring scoops of ground coffee (1 tbsp or 12g). Fill the filter with small amounts at a time to prevent the coffee spilling out.



Attention: for correct use, before filling the filter with ground coffee always make sure there is no residual coffee in the filter from the previous infusion.

3. Distribute the ground coffee evenly and press it lightly using the coffee tamper (fig. 10). Pressing the ground coffee is very important to ob-

tain a good espresso. If you press too hard, the coffee will run out slowly and the crema will be dark. If you press too lightly, the coffee will run out too fast and the crema will be very light.

4. Remove any excess coffee from the rim of the filter-holder and attach it to the machine: turn the grip to the right (fig. 5) to prevent water from escaping.
5. Position the cup or cups under the filter-holder spouts (fig. 11). It is recommended to warm the cups before making the coffee by running them under hot water or leaving them to pre-heat on the cup warmer for at least 15-20 minutes (fig. 12).
6. Make sure that the OK light (fig. 6) is on (if it is off, wait for it to switch on) and press the coffee button (fig. 7). Once the desired amount of coffee has been obtained, press the same button again (fig. 7). (It is recommended not to run the coffee for more than 45 seconds).
7. Turn the grip from right to left to release the filter-holder.



Scalding hazard! To prevent sprays, do not release the filter-holder while the machine is dispensing coffee.

8. To remove the used coffee, lock the filter using the lever in the grip and let the coffee fall out by knocking the over-turned filter-holder (fig. 13).
9. Turn the machine off by pressing the on/off button (fig. 4).



Attention: Before using the machine for the first time all accessories and internal circuits must be washed by making at least five cups of coffee without using ground coffee.

HOW TO PREPARE THE ESPRESSO USING PODS

1. Pre-heat the machine as described in the “PRE-HEATING THE COFFEE MACHINE” chapter, making sure that the filter-holder is attached to the machine. Hotter coffee is obtained in this way.



Information: use pods that comply with the ESE Standard: this will be indicated on the packaging by the icon to the right.

The ESE Standard is a system accepted by the leading coffee pod manufacturers and allows espresso coffee to be made simply and without making a mess.



2. Place the small filter in the filter-holder, making sure that the projection is correctly inserted into the relative seat as indicated in fig. 8.

3. Insert the pod, centering it as far as possible on the filter (fig. 14). Always follow the instructions of the pod pack for correct positioning of the pod on the filter.
4. Attach the filter-holder to the machine, by inserting the filter handle on the left side of the machine and then turn to the right (fig 5) to prevent water from escaping. Ensure that handle is tightly attached to the machine (fig. 5).
5. Proceed as in points 5, 6 and 7 in the previous section.

HOW TO MAKE CAPPUCCINO

1. Prepare the espresso coffee as described in the previous paragraphs, using cups that are large enough to hold both the espresso and frothed milk..
2. Press the steam button (fig. 15).
3. In the meantime, fill a container with about 1/2 cup of milk for every cappuccino to be prepared. The milk must be cold and at refrigerator temperature (not hot!). When choosing the frothing container consider that the volume of the milk will increase by 2 or 3 times.



Information: it is recommended to use semi-skimmed milk at refrigerator temperature (41°F/ 5°C).

4. Position the container with the milk under the frother.
5. Wait for the indicator light next to the steam button to switch on (fig. 16). This indicates that the boiler has reached the ideal temperature for the production of steam
6. Open the steam tap (2) for a few seconds to remove any water present in the circuit. Close the tap.
7. Dip the frother into the milk a few millimeters (fig. 17) making sure not to immerse the raised line on the cappuccino maker (indicated by the arrow in fig. 17). Turn the knob counterclockwise (fig. 18) for at least half a rotation. Steam escapes from the frother giving the milk a creamy appearance and increasing its volume. To obtain a creamier froth, dip the frother into the milk and turn the container with slow movements from the bottom upwards.
8. When the volume of the milk has doubled, dip the frother far down into the frothing container and continue to heat the milk. When the desired temperature (ideal value is 140°F / 60°C) and the desired milk froth have been reached, interrupt the steam by turning the steam knob clockwise and release the steam button. Use the on/off button to switch the machine off (fig. 4) (The on/off indicator light switches off).
9. Pour the frothed milk into the cups containing the previously-prepared espresso coffee. The cap-

puccino is ready: add sugar at will and if desired, sprinkle a little powdered chocolate on top of the froth.



Information

- if more than one cappuccino is to be prepared, first make all of the coffees and then prepare the milk for all of the cappuccinos;
- if more coffee must be prepared after the milk has been frothed, allow the boiler to cool first otherwise the coffee will be burned.

To cool it, position a container under the filter-holder spouts (fig. 11), press the steam button and allow water to run out until the steam function light switches off: then prepare the coffee.

Do not deliver steam for more than 60 seconds at a time or froth more than 3 times consecutively.



Attention: the frother must always be washed after use to ensure proper functioning and sterility.

Proceed as follows:

1. Discharge a small amount of steam for a few seconds (see points 2,5 and 6 of the previous paragraph) by turning the steam knob (fig. 18). By doing this, the frother empties any milk left inside. Switch the machine off by pressing the ON/OFF button.
2. Use one hand to hold the cappuccino tube and the other to release the frothing cover by turning it clockwise and pulling it downwards (fig. 19).



Danger! Do not touch stainless steel tube that attaches frother to machine. This will be very hot after frothing.

3. Remove the frothing nozzle from the tube by pulling it downwards (fig. 20).
4. Wash the frother and nozzle thoroughly in warm water.
5. Make sure that the two holes indicated by the arrows in fig. 21 are not blocked. Clean using a pin if necessary.
6. Re-mount the frothing nozzle by inserting it firmly upwards into the steam tube.
7. Re-mount the frothing cover by inserting it upwards and turning it counterclockwise .

PRODUCTION OF HOT WATER

1. Switch the machine on by pressing the on/off button (fig. 4). Wait for the OK light to switch on (fig. 6).
2. Position a container under the cappuccino maker.
3. Press the coffee button (fig. 7) and turn the steam knob counterclockwise at the same time (fig. 18): the hot water will escape from the frother.
4. To interrupt the hot water, turn the steam knob clockwise and press the coffee button again (fig. 7).

Maximum delivery of 60 seconds is recommended.

CLEANING



Danger! Before performing any cleaning operations of the external parts of the appliance, switch the machine off, remove the plug from the outlet and let the machine cool down.

Cleaning and maintenance of the filter

Clean the filter-holder and ground coffee filters about every 300 coffees and when the coffee drips through the filter-holder and does not flow completely:

- Remove the filter from the filter-holder.
- Unscrew the filter cap (fig. 22) in the direction indicated by the arrow on the cap itself.
- Remove all parts of filter by pushing the black rubber holder and metal disc out of filter. Remove the metal disc from its backing. (There should be 5 separate pieces to the filter)
- Rinse all components and clean the metal filter disc thoroughly using hot water and a brush (fig. 23). Check that the holes in the metal filter disc are not blocked. If this is not the case, clean them using a pin (see fig. 24).
- Re-mount the filter by placing the metal disc and backing inside the black rubber holder as indicated in figure 25. Make sure that the plastic disc pin is inserted inside the hole in the black plastic holder as indicated by the arrow in fig. 25.
- Re-insert the black rubber holder that contains metal disc and backing into the metal holder (fig. 26), making sure that the pin is inserted into the hole of the support itself (see arrow fig. 26).
- Finally, tighten the filter cap .

The warranty is not valid if the cleaning operations described above are not performed on a regular basis.

Cleaning the boiler outlet

About every 300 coffees the espresso boiler outlet must be cleaned as follows:

- Make sure that the coffee machine is not hot and the plug is disconnected from the socket;
- Use a screwdriver to remove the screw that fixes the espresso boiler outlet (fig. 27);
- Remove the boiler outlet;
- Clean the boiler using a damp cloth (fig. 27);
- Clean the boiler outlet disc thoroughly using hot water and a brush. Check that the holes are not blocked. If this is not the case, clean them using a pin (fig. 24).
- Rinse the boiler outlet disc under the tap, rubbing continuously.
- Re-mount the boiler outlet, paying attention to position it correctly on the gasket.

The warranty is not valid if the cleaning operations described above are not performed on a regular basis.

Other cleaning operations

1. Do not use solvents or abrasive detergents to clean the machine. Use a soft, damp cloth.
2. Clean the filter-holder cup, the filters, drip tray and water tank regularly.
To empty the drip tray, remove the cup warmer grid, remove the water and clean the tray using a cloth: then re-assemble the drip tray.
Clean the water tank using a soft bottle-brush in order to reach the bottom.



Danger! During cleaning, never immerse the machine in water: it is an electric appliance.

DESCALING

It is recommended to descale the machine about every 200 coffees.

We recommend using De'Longhi approved descaler which is available through customer service.

Follow this procedure:

1. Fill the tank with the descaling solution and dilute the solution with water, following directions on the descaling solution package.
2. Press the on/off button and wait for the OK light to switch on.
3. Make sure that the filter holder is not attached and position a container under the boiler outlet.
4. Press the coffee button and allow about 1/4 of the solution contained in the tank to flow out: every now and again turn the steam knob and allow a small amount of solution to escape; then interrupt by pressing the button again and leave the solution to act for about 5 minutes.
5. Repeat point 4 another 3 times, until the tank is completely empty.
6. To eliminate residues of the solution and lime scale, rinse the tank well and fill it with clean water (without descaler).
7. Press the coffee button (fig. 6) and operate the appliance until the tank is completely empty;
8. Repeat operations 6 and 7 again.

PROBLEM	POSSIBLE CAUSES	SOLUTION
Espresso coffee does not flow out	• No water in the tank	• Fill the water tank
	• The holes in the filter-holder are blocked	• Clean the holes in the filter-holder spouts
	• The espresso boiler outlet is blocked	• Clean the boiler outlet as indicated in the "Cleaning the boiler outlet" paragraph
Espresso coffee drips from the edges of the filter-holder instead of through the holes	• The filter-holder is inserted incorrectly	• Attach the filter-holder correctly by placing filter holder on the left side of the machine and turning towards the right. Filter holder should be tightly locked in place.
	• The espresso boiler gasket has lost elasticity	• Replace the espresso boiler gasket by calling customer service.
	• The holes in the filter-holder spout are blocked	• Clean the holes in the spouts.
The espresso coffee is cold	• The espresso OK light is not on when the coffee button is pressed	• Wait for the OK light to switch on
	• Pre-heating has not been carried out	• Pre-heat as indicated in the "preheating the coffee machine" paragraph
	• The cups have not been pre-heated	• Pre-heat the cups using hot water or leave them for at least 20 minutes on the cup warmer plate.
Loud pump noise	• The water tank is empty	• Fill the water tank
	• The tank is inserted incorrectly and the valve on the bottom is not open	• Press the tank lightly to open the valve on the bottom
The coffee crema is clear (it flows quickly from the spout)	• The ground coffee has not been sufficiently pressed	• Tamp the ground coffee more (fig. 10)
	• Not enough ground coffee	• Increase the amount of ground coffee
	• The coffee is not ground finely enough	• Only use coffee ground specifically for espresso coffee machines
	• Incorrect type of ground coffee	• Change the type of the ground coffee. It is recommended to use a dark espresso roast.
The coffee crema is dark (it flows slowly from the spout)	• The ground coffee is too tightly pressed	• Tamp the coffee less (fig. 6)
	• Too much ground coffee	• Decrease the amount of ground coffee
	• The espresso boiler outlet is blocked	• Clean as indicated in the "Cleaning the espresso boiler outlet" paragraph.
	• The filter is blocked	• Clean as indicated in the "cleaning the filter" paragraph.
	• The coffee is too finely ground	• Only use coffee ground specifically for espresso coffee machines
	• The ground coffee is too fine or is damp	• Only use coffee ground specifically for espresso coffee machines and it must not be too damp
	• Incorrect type of ground coffee	• Change the type of the ground coffee. It is recommended to use a dark espresso roast.
The milk does not froth when making a cappuccino	• The milk is not cold enough	• Always use milk at refrigerator temperature (41°F/5°C).
	• The frother is dirty	• Carefully clean the holes in the frother in particular, those indicated in figure 21

This warranty applies to all products with De'Longhi or Kenwood brand names.

LIMITED WARRANTY

What does the warranty cover?

We warrant each appliance to be free from defects in material and workmanship. Our obligation under this warranty is limited to repair at our factory or authorized service center of any defective parts or part thereof, other than parts damaged in transit. In the event of a products replacement or return, the unit must be returned transportation prepaid. The repaired or new model will be returned at the company's expense. This warranty shall apply only if the appliance is used in accordance with the factory directions, which accompany it, and on an Alternating current (AC) circuit.

How long does the coverage last?

This warranty runs for one year (1) from the purchase date found on your receipt and applies only to the original purchaser for use.

What is not covered by the warranty?

The warranty does not cover defects or damage of the appliance, which result from repairs or alterations to the appliance outside our factory or authorized service centers, nor shall it apply to any appliance, which has been subject to abuse, misuse, negligence or accidents. Also, consequential and incidental damage resulting from the use of this product or arising out of any breach of contract or breach of this warranty are not recoverable under this warranty. Some states do not allow the exclusion or limitation of incidental or consequential damage, so the above limitation may not apply to you.

How do you get service?

If repairs become necessary, see contact information below:

U.S. Residents: Please contact our toll free hotline at 1-800-322-3848 or log onto our website at www.delonghiusa.com. For all accessories, spare parts or replacement parts, please contact our parts division at 1-800-865-6330.

Residents of Canada: Please contact our toll free hotline at 1-888-335-6644 or log onto our website at www.delonghi.com.

Residents of Mexico: Please refer to the Limited Warranty statement for Mexico.

Please refer to the back page of the manual for De'Longhi addresses.

The above warranty is in lieu of all other express warranties and representations. All implied warranties are limited to the applicable warranty period set forth above. This limitation does not apply if you enter into an extended warranty with De'Longhi. Some states do not allow limitations on how long an implied warranty lasts, so the above exclusions may not apply to you. De'Longhi does not authorize any other person or company to assume for it any liability in connection with the sale or use of its appliance.

How does state law apply?

This warranty gives you specific legal rights, and you may also have other rights, which vary from state to state.

MESURES DE SECURITE IMPORTANTES

Lors de l'utilisation d'un appareil électroménager, il faut toujours prendre certaines précautions de base:

- Lire toutes les instructions.
- Ne pas toucher les surfaces chaudes; se servir des poignées ou des boutons.
- Afin d'éviter les incendies, les chocs électriques et les blessures aux personnes, ne pas immerger le cordon, la fiche ou l'appareil dans l'eau ou tout autre liquide.
- Ne pas laisser utiliser l'appareil par des enfants ou par des personnes en état d'incapacité sans surveillance.
- Débrancher l'appareil lorsqu'il n'est pas utilisé et avant de le nettoyer. Le laisser refroidir avant d'installer ou d'enlever des pièces ou avant de le nettoyer.
- Il est déconseillé d'utiliser l'appareil si le cordon ou la fiche sont endommagés, défectueux ou s'ils ont subi des dommages. Il est en effet préférable de renvoyer l'appareil à un centre de service après-vente autorisé.
- L'utilisation d'accessoires non recommandés par le fabricant peut causer des incendies, des chocs électriques et des blessures.
- Ne pas utiliser l'appareil à l'extérieur.
- Ne pas laisser le cordon pendre d'une table ou d'un comptoir ou entrer en contact avec une surface chaude.
- Ne pas placer l'appareil sur ou près d'une cuisinière à gaz ou électrique ou dans un four chaud.
- Brancher la fiche du cordon à la prise. Pour débrancher l'appareil, éteindre l'appareil, puis enlever la fiche de la prise.
- Il ne faut utiliser l'appareil que pour les fonctions qui lui sont attribuées. Cet appareil ne doit être utilisé que pour un usage domestique. Toute autre utilisation est réputée impropre et, par conséquent, dangereuse.

AVERTISSEMENT : POUR RÉDUIRE LES RISQUES D'INCENDIE OU D'ÉLECTROCUTION, NE RETIREZ PAS LE COUVERCLE INFÉRIEUR. IL NE CONTIENT AUCUNE PIÈCE RÉPARABLE PAR L'UTILISATEUR. LES RÉPARATIONS DEVRAIENT ÊTRE EFFECTUÉES UNIQUEMENT PAR UN PERSONNEL AGRÉÉ.

CONSERVEZ CES INSTRUCTIONS

USAGE DOMESTIQUE SEULEMENT

CORDON SPECIAL

(seulement pour états unis)


- L'appareil est muni d'un cordon d'alimentation court (ou bien un cordon d'alimentation détachable) pour réduire les risques d'enchevêtrement et la possibilité de trébucher sur un cordon plus long.
- Des cordons d'alimentation détachables plus longs ou des fils de rallonge sont également disponibles; il faut cependant les utiliser avec précaution.
- Si l'on utilise un cordon long détachable ou une rallonge, les spécifications électriques du cordon ou de la rallonge doivent être au moins de la même valeur que celles de l'appareil. Si l'appareil est équipé d'une mise à terre, la rallonge doit être de même un cordon à trois fils avec terre, et le cordon long doit être rangé de telle façon qu'il ne soit pas étalé sur le comptoir ou sur la table, où il pourrait être tiré par les enfants, ou sur lequel on pourrait trébucher.
- Votre produit est muni d'une fiche polarisée de courant alternatif (à savoir une fiche ayant une dent plus large que l'autre). Cette fiche ne peut être enfoncée dans la prise que dans une seule position. Il s'agit d'une mesure de sécurité. Si vous ne pouvez pas enfoncer complètement la fiche dans la prise essayez de la tourner. Si malgré tout vous ne pouvez pas encore la brancher, demandez à un électricien de remplacer la prise obsolète. Ne pas annuler la sécurité de la fiche polarisée.


INTRODUCTION


Merci d'avoir choisi notre machine à café.
Nous vous souhaitons de bien profiter de votre nouvel appareil.
Consacrez quelques minutes à lire ce mode d'emploi.
Vous éviterez ainsi de courir des risques ou de détériorer la machine


Symboles utilisés dans ce mode d'emploi

Les avertissements importants portent les symboles suivants. Il est impératif de suivre ces avertissements.

 **Danger !** L'inobservation peut être ou est la cause de lésions dues à une décharge électrique dangereuse, voire mortelle.


 **Attention !** L'inobservation peut être ou est la cause de lésions ou de dégâts matériels.

 **Danger de brûlures !** L'inobservation peut être ou est la cause de brûlures même graves.

 **Nota Bene:** Symbole d'informations et de conseils importants pour l'utilisateur.


SÉCURITÉ


Consignes fondamentales de sécurité


 **Danger !** L'appareil marche au courant électrique, il peut donc produire des décharges électriques.

Respectez les consignes de sécurité suivantes :

- Ne pas toucher l'appareil avec les mains ou les pieds mouillés.
- Ne touchez pas la prise les mains mouillées.
- Assurez-vous que la prise de courant utilisée est toujours parfaitement accessible, pour pouvoir débrancher l'appareil en cas de besoin.
- Si vous voulez débrancher l'appareil, saisissez directement la prise. Ne tirez jamais le cordon, il pourrait s'abîmer.
- Pour débrancher complètement l'appareil, détacher la fiche de la prise de courant.
- Si l'appareil est en panne, n'essayez pas de le réparer vous-même
Arrêtez l'appareil, débranchez-le et appelez l'Assistance Technique.
- Afin de prévenir tout risque, si la prise ou le cordon sont abîmés, faites-les remplacer exclusivement par l'Assistance Technique De'Longhi.

 **Attention :** Ne laissez pas l'emballage (sacs en plastique, polystyrène expansé) à la portée des enfants.

 **Attention :** L'appareil ne doit pas être utilisé par des personnes (y compris les enfants) ayant des capacités psychophysiques sensorielles réduites, une expérience ou des connaissances insuffisantes, sans la surveillance vigilante et les instructions d'un responsable de leur sécurité. Surveillez les enfants pour vous assurer qu'ils ne jouent pas avec l'appareil.

 **Danger de brûlures** Cet appareil produit de l'eau chaude et quand il est en marche, il peut se former de la vapeur d'eau.
Attention aux éclaboussures d'eau ou à la vapeur chaude.
Quand l'appareil est en marche, la plaque chauffetasses est brûlante, n'y touchez pas.

Utilisation conforme à la destination

Cet appareil est fabriqué pour préparer du café et réchauffer des boissons.

Cet appareil est destiné exclusivement à un usage domestique. Il n'est pas conçu pour travailler dans des

- pièces servant de cuisine au personnel de magasins, bureaux et autres zones de travail
- hôtels, motels et autres structures d'accueil

Toute autre utilisation doit être considérée impropre et donc dangereuse.


Le fabricant ne répond pas d'éventuels dégâts découlant d'un usage impropre de l'appareil.

Mode d'emploi

Lisez attentivement ce mode d'emploi avant d'utiliser l'appareil.

- L'inobservation de ce mode d'emploi peut causer des lésions ou endommager l'appareil.

Le fabricant ne répond pas d'éventuels dégâts découlant de l'inobservation de ce mode d'emploi.

 **Nota Bene:** Conservez soigneusement cette notice. Si vous cédez l'appareil à d'autres personnes, remettez-leur aussi ce mode d'emploi.

DESCRIPTION

1. Tableau de commande
2. Bouton vapeur
3. Réservoir d'eau
4. Couvercle du réservoir d'eau
5. Cordon d'alimentation
6. Tuyau de la vapeur ou de l'eau chaude
7. Plateau d'appui pour les tasses
8. Égouttoir
9. Sortie Cappuccino
10. Buse
11. Douche de la chaudière
12. Pressoir
13. Mesure pour le café moulu

14. Porte-filtre
15. Filtre grand 2 doses7
16. Filtre petit 1 dose ou pour capsules dosette
17. Touche sélection fonction vapeur
18. Touche arrivée café ou eau chaude
19. Touche allumé/éteint
20. Lampe voyant allumé
21. Lampe voyant OK
22. Lampe voyant fonction vapeur sélectionnée
23. Plaque chauffe-tasses

OPÉRATIONS PRÉALABLES

Contrôle du transport

Après avoir déballé l'appareil, assurez-vous qu'il est intact et doté de tous ses accessoires.


N'utilisez pas l'appareil s'il présente des dommages évidents. Adressez-vous à l'Assistance Technique De'Longhi.

Installation de l'appareil

Au moment d'installer l'appareil, observez les consignes de sécurité suivantes :

- L'éventuelle pénétration d'eau dans l'appareil pourrait l'endommager. Évitez de placer l'appareil à proximité d'un robinet d'eau ou d'un évier.
- L'appareil peut se détériorer si l'eau qu'il contient gèle. Évitez d'installer la machine dans un endroit où la température peut descendre au-dessous du point de congélation.
- Rangez le cordon d'alimentation de manière à ce qu'il ne soit pas touché par des arêtes tranchantes ni par des surfaces chaudes (plaques électriques).

Branchement de l'appareil

 **Attention !** Vérifiez si la tension du secteur correspond à celle indiquée sur la plaque signalétique sur le fond de l'appareil.

- Branchez l'appareil exclusivement sur une prise de courant installée dans les règles de l'art, ayant une intensité minimale de 10 A et munie d'une mise à la terre efficace
- En cas d'incompatibilité entre la prise de courant et la fiche de l'appareil, appelez un électricien pour qu'il remplace la prise.
- Le cordon de cet appareil ne doit jamais être remplacé par l'utilisateur car son remplacement requiert des outils spéciaux. Si le câble est endommagé ou pour le remplacer, s'adresser exclusivement à un Centre d'Assistance autorisé par le fabricant afin de prévenir tout risque.

Remplissage du réservoir d'eau

1. Ouvrir le couvercle du réservoir d'eau (fig. 1), ensuite retirer le réservoir en le tirant vers le haut (fig. 2).
2. Remplir le réservoir avec de l'eau fraîche et propre en veillant à ne pas dépasser la marque MAX. (fig.

3). Replacer le réservoir en l'enfonçant légèrement afin d'ouvrir le clapet situé sur le fond du réservoir.

3. Plus simplement, le réservoir peut être rempli sans le retirer en y versant de l'eau directement d'une carafe.



Attention : Ne jamais mettre l'appareil en marche sans eau dans le réservoir et ne pas oublier de le remplir que le niveau arrive à quelques centimètres du fond.



Nota Bene: La présence d'eau dans le logement situé en dessous du réservoir est absolument normale ; par conséquent sécher de temps à autre ce logement avec une éponge propre.

COMME PRÉPARER UN CAFÉ EXPRESSO

Préchauffe du groupe café

Pour un café expresso à la bonne température, nous conseillons de préchauffer la machine de la façon suivante :

1. Allumer la machine en appuyant sur la touche ON/OFF (le voyant s'allume) (fig. 4) et accrocher le porte-filtre à la machine sans le remplir de café moulu (fig. 5).
2. Placer une tasse sous le porte-filtre. Utiliser la même tasse que pour préparer le café pour la préchauffer.
3. Attendre que le voyant OK (fig. 6) s'allume et juste après, appuyer sur la touche arrivée café (fig. 7), laisser sortir l'eau jusqu'à ce que le voyant OK s'éteigne, ensuite interrompre à appuyer à nouveau sur la touche arrivée (fig. 7).
4. Vider la tasse, attendre que le voyant "OK" se rallume et répéter à nouveau la même opération.

(Il est normal qu'au cours de l'opération de décrochage du porte-filtre, il se produise un petit échappement de vapeur sans danger).

COMME PRÉPARER UN EXPRESSO AVEC LE CAFÉ MOULU

1. Après avoir préchauffé la machine comme décrit au paragraphe précédent, insérer le filtre pour café moulu dans le porte-filtre en s'assurant qu'il soit parfaitement inséré dans son logement comme indiqué en fig. 8. Utiliser le filtre plus petit pour faire un café ou le plus grand pour en faire 2.
2. Pour préparer un seul café, remplir le filtre avec une mesure pleine de café moulu, environ 7 gr. (fig. 9). Par contre, pour préparer deux cafés, remplir le filtre avec deux mesures normales de café moulu (environ 6+6 gr). Remplir le filtre à petites doses pour éviter que le café moulu ne déborde.



Attention : pour un fonctionnement correct, toujours s'assurer que le filtre ne présente pas de résidus de café de l'infusion précédente avant de le remplir de café moulu.

3. Distribuer uniformément le café moulu et l'enfoncer légèrement avec le presseur (fig. 10).
La pression du café moulu est très importante pour obtenir un bon café expresso. Une pression trop forte et le café sortira lentement et la crème sera foncée. Une pression trop faible et le café sortira trop rapidement et nous obtiendrons peu de crème de couleur claire.
4. Retirer le cas échéant l'excès de café du bord du porte-filtre et accrocher ce dernier à la machine : tourner avec décision la poignée vers la droite (fig. 5) pour éviter toute perte d'eau.
5. Placer la tasse ou les tasses sous les becs du porte-filtre (fig. 11). Nous conseillons de chauffer les tasses avant de préparer le café en les rinçant avec un peu d'eau chaude ou en les mettant à préchauffer sur le plan supérieur pendant 15-20 minutes au moins (fig. 12).
6. S'assurer que le voyant OK (fig. 6) soit allumé (s'il est éteint, attendre qu'il s'allume) et appuyer sur la touche arrivée café (fig. 7). Après avoir obtenu la quantité de café souhaitée, pour interrompre, appuyer à nouveau sur la même touche (fig. 7). (Nous conseillons de faire sortir le café pendant 45 secondes maximum).
7. Pour décrocher le porte-filtre, tourner la poignée de droite à gauche.



Danger de brûlures Pour éviter le risque de jets, ne jamais décrocher le porte-filtre pendant que le café sort.

8. Pour éliminer le café usé, maintenir le filtre bloqué en l'enfonçant avec le levier incorporé dans la poignée et faire sortir le café en frappant le porte-filtre renversé (fig. 13).
9. Pour éteindre la machine à café, appuyer sur la touche allumé/éteint (fig. 4).

À la première utilisation de la machine, il faut laver tous les accessoires et les circuits internes en faisant au moins cinq cafés sans utiliser de café moulu.

COMMENT PRÉPARER UN EXPRESSO EN UTILISANT DES CAPSULES DOSETTES

1. Préchauffer la machine comme décrit au paragraphe "PRÉCHAUFFAGE DU GROUPE CAFÉ", en s'assurant de laisser le porte-filtre accroché à la machine. Ceci permet d'obtenir un café plus chaud.



Nota Bene: utiliser des capsules dosettes qui dépendent au standard ESE : ce dernier est indiqué

sur les emballages par la marque suivante.

Le standard ESE est un système accepté par les plus grands fabricants de capsules dosette et permet de préparer un café expresso de façon simple et propre.



2. Insérer le petit filtre dans le porte-filtre en veillant à ce qu'il soit correctement inséré, comme indiqué en fig. 8.
3. Insérer la capsule dosette en la centrant le plus possible au-dessus du filtre (fig. 14). Toujours suivre les instructions fournies sur l'emballage des capsules dosette pour les placer correctement sur le filtre.
4. Accrocher le porte-filtre à la machine en le tournant toujours à fond (fig. 5).
5. Procéder comme indiqué aux points 5, 6 et 7 du paragraphe précédent.

COMMENT PRÉPARER UN CAPPUCCINO

1. Préparer les cafés expresso comme décrit aux paragraphes précédents en utilisant des tasses suffisamment grandes.
2. Appuyer sur la touche vapeur (fig. 15).
3. Entre-temps, remplir un récipient avec environ 100 grammes de lait pour chaque cappuccino à préparer. Le lait doit être froid du frigo (non chaud !). Pour choisir un récipient de dimensions adéquates, ne pas oublier que le volume de lait augmentera de 2 ou 3 fois.



Nota Bene: nous conseillons d'utiliser du lait partiellement écrémé à la température du frigo.

4. Placer le récipient avec le lait sous la sortie du cappuccino.
5. Attendre que le voyant correspondant à la touche vapeur (fig. 16) s'allume. L'allumage de la lampe indique que la chaudière a atteint la température idéale pour produire de la vapeur.
6. Ouvrir le robinet vapeur pendant quelques secondes pour purger l'eau éventuellement présente dans le circuit. Refermer le robinet.
7. Plonger la sortie cappuccino dans le lait sur quelques millimètres (fig. 17) en veillant à ne pas plonger la ligne en relief sur la sortie (indiquée par la flèche de fig. 17). Tourner la manette dans le sens contraire aux aiguilles d'une montre, fig. 18 sur un demi-tour au moins. De la vapeur sort de l'arrivée cappuccino et donne un aspect crémeux au lait qui augmente de volume. Pour obtenir une mousse plus crémeuse, plonger la sortie cappuccino dans le lait et faire tourner le récipient avec des mouvements lents du bas vers le haut.

8. Quand le volume du lait aura doublé, plonger la sortie cappuccino en profondeur et continuer à chauffer le lait. Une fois la température souhaitée (la valeur idéale est de 60°C) et la mousse désirée atteinte, interrompre la sortie de vapeur en tournant la manette vapeur dans le sens des aiguilles d'une montre et presser à nouveau la touche vapeur.

Pour éteindre la machine, appuyer sur la touche allumé/éteint (fig. 4) (Le voyant d'allumage s'éteint).

9. Verser la mousse de lait dans les tasses contenant le café expresso préparé précédemment. Le cappuccino est prêt : sucrer à volonté, et au besoin, saupoudrer la mousse avec un peu de chocolat en poudre.



Nota Bene :

- pour préparer plusieurs cappuccino, il faut d'abord préparer tous les cafés et seulement à la fin préparer le lait monté pour tous les cappuccino.
- pour re préparer du café après avoir fait monter le lait, il faut d'abord laisser refroidir la chaudière sinon le café sort brûlé.

Pour refroidir, placer un récipient sous les becs du porte-filtre (fig. 11), appuyer sur la touche vapeur et faire sortir l'eau jusqu'à ce que le voyant de la fonction vapeur s'éteigne : procéder ensuite à la préparation du café.

Nous conseillons de faire sortir la vapeur pendant 60 secondes maximum et de ne pas faire monter le lait plus de 3 fois de suite.



Attention: pour des raisons d'hygiène, nous recommandons de toujours nettoyer la machine à cappuccino après son utilisation.

Procéder de la façon suivante :

1. Faire sortir un peu de vapeur pendant quelques secondes (points 2, 5 et 6 du paragraphe précédent) en tournant la manette vapeur (fig. 18). Cette opération permet à la machine à cappuccino de purger le lait éventuellement resté à l'intérieur. Éteindre la machine en appuyant sur la touche allumé/éteint
2. Avec une main, maintenir le tuyau de sortie cappuccino et avec l'autre, débloquer la sortie cappuccino en la tournant dans le sens des aiguilles d'une montre pour ensuite l'enlever vers le bas (fig. 19).
3. Retirer la buse vapeur du tuyau de sortie en la tirant vers le bas (fig. 20).
4. Laver soigneusement la sortie cappuccino et la buse vapeur avec de l'eau tiède.
5. Contrôler que les deux orifices indiqués par les flèches en fig. 21 ne soient pas bouchés. Si nécessaire, les nettoyer à l'aide d'une épingle.
6. Remonter la buse vapeur en l'insérant fortement vers le haut sur le tuyau vapeur.
7. Remonter la sortie cappuccino en la glissant vers

le haut et en la tournant dans le sens contraire aux aiguilles d'une montre.

PRODUCTION D'EAU CHAUDE

1. Allumer la machine en appuyant sur la touche allumé/éteint (fig. 4). Attendre que le voyant OK s'allume (fig. 6).
2. Placer un récipient sous la sortie cappuccino.
3. Appuyer sur la touche arrivée (fig. 7) et simultanément tourner la manette vapeur dans le sens contraire aux aiguilles d'une montre (fig. 18) : l'eau chaude sortira de la sortie cappuccino.
4. Pour interrompre la sortie d'eau chaude, tourner dans le sens des aiguilles d'une montre la manette vapeur et appuyer à nouveau sur la touche arrivée (fig. 7).

Nous conseillons une durée de 60 secondes.

NETTOYAGE



Danger ! Avant toute opération de nettoyage des parties extérieures de l'appareil, éteindre la machine, détacher la fiche de la prise de courant et laisser refroidir la machine.

Nettoyage et maintenance du filtre

Tous les 300 cafés et dans tous les cas, quand le café sort goutte à goutte du porte-filtre ou ne sort pas du tout, nettoyer le porte-filtre et les filtres pour le café moulu de la façon suivante :

- Retirer le filtre du porte-filtre.
- Dévisser le bouchon du filtre (fig. 22) dans le sens indiqué par la flèche marquée sur le bouchon.
- Enlever le dispositif pour faire monter la crème du conteneur en le poussant du côté du bouchon.
- Retirer le joint.
- Rincer tous les composants et nettoyer soigneusement le filtre métallique avec de l'eau chaude en frottant avec une petite brosse (fig. 23). Contrôler que les orifices du filtre métallique ne soient pas bouchés, dans le cas contraire, les nettoyer avec une épingle (voir fig. 24).
- Remonter le filtre et le joint sur le disque en plastique comme indiqué en figure 25. Veiller à insérer la pointe du disque en plastique dans le trou du joint indiquée par la flèche en fig. 25.
- Insérer à nouveau l'ensemble obtenu dans le conteneur en acier du filtre (fig. 26), en veillant à ce que la pointe soit insérée dans l'orifice du support (voir flèche fig. 26).
- Finalement, visser le bouchon.

La garantie perd sa validité si le nettoyage indiqué précédemment n'est pas régulièrement effectué.

Nettoyage de la douche chaudière

Tous les 300 cafés environ, il faut nettoyer la douche de la chaudière expresso de la façon suivante :

- S'assurer que la machine à café ne soit pas chaude

et que la fiche soit débranchée;

- À l'aide d'un tournevis, dévisser la vis qui fixe la douche de la chaudière expresso (fig. 27) ;
- Retirer la douche chaudière ;
- Nettoyer la chaudière avec un chiffon humide (fig. 27);
- Nettoyer soigneusement la douche avec de l'eau chaude en frottant avec une petite brosse. Contrôler que les orifices ne soient pas bouchés, dans le cas contraire, les nettoyer avec une épingle (fig. 24).
- Rincer la douche sous le robinet en continuant à la frotter.
- Remonter la douche de la chaudière en veillant à la placer correctement sur le joint.

La garantie perd sa validité si le nettoyage indiqué précédemment n'est pas régulièrement effectué.

Autres opérations de nettoyage

1. Ne pas utiliser de solvants ou de détergents abrasifs pour nettoyer la machine. Il suffira d'utiliser un chiffon humide et souple.
2. Nettoyer régulièrement la coupelle porte-filtre, les filtres, l'égouttoir et le réservoir de l'eau.
Pour vider l'égouttoir, retirer la grille de support des tasses, éliminer l'eau et nettoyer l'égouttoir avec un chiffon : ensuite remonter l'égouttoir.
Nettoyer le réservoir eau à l'aide d'un goupillon souple pour bien atteindre le fond.



Danger ! Au cours du nettoyage, ne jamais plonger la machine dans l'eau : il s'agit d'un appareil électrique.

DÉTARTRAGE

Nous conseillons de détartrer la machine tous les 200 cafés environ.

Nous conseillons d'utiliser le détartrant De'Longhi qui se trouve dans le commerce.

Suivre la procédure suivante :

1. Remplir le réservoir avec la solution détartrante, obtenue en diluant le détartrant avec de l'eau selon les indications fournies sur l'emballage.
2. Appuyer sur la touche allumé/éteint et attendre que le voyant OK s'allume.
3. S'assurer que le porte-filtre ne soit pas accroché et placer un récipient sous la douche de la machine.
4. Appuyer sur l'interrupteur de sortie café et faire couler environ 1/4 de la solution contenue dans le réservoir : de temps en temps, tourner la manette vapeur et faire sortir un peu de solution, ensuite interrompre en appuyant à nouveau sur l'interrupteur et laisser agir la solution pendant 5 minutes environ.
5. Répéter le point 4 3 fois de suite jusqu'à vider complètement le réservoir.

6. Pour éliminer les restes de la solution et de calcaire, bien rincer le réservoir et le remplir avec de l'eau propre (sans détartrant).

7. Appuyer sur la touche arrivée café (fig. 6) et faire sortir jusqu'à ce que le réservoir soit complètement vide ;

8. Répéter les opérations 6 et 7 une deuxième fois.

Les réparations de la machine à café dues à des problèmes de calcaire ne seront pas couvertes par la garantie si le détartrage décrit ci-dessus n'a pas été régulièrement effectué.

PROBLÈME	PROBABLES CAUSES	SOLUTION
Le café expresso ne sort plus	• Manque d'eau dans le réservoir	• Remplir le réservoir d'eau
	• Les orifices de sortie café du porte-filtre sont bouchés	• Nettoyer les orifices des becs du porte-filtre
	• La douche de la chaudière expresso est bouchée	• Effectuer le nettoyage comme indiqué au paragraphe "Nettoyage de la douche chaudière"
Le café expresso goutte sur les bords du porte-filtre et non des orifices	• Le porte-filtre est mal inséré	• Accrocher correctement le porte-filtre et le tourner à fond
	• Le joint de la chaudière expresso a perdu son élasticité	• Faire remplacer le joint de la chaudière expresso par un Centre d'Assistance
	• Les orifices des becs du porte-filtre sont bouchés	• Nettoyer les orifices des becs.
Le café expresso est froid	• Le voyant OK expresso n'est pas allumé au moment d'enfoncer l'interrupteur arrivée café	• Attendre que le voyant OK s'allume
	• La préchauffe n'a pas été exécutée	• Préchauffer comme indiqué au paragraphe
	• Les tasses n'ont pas été préchauffées	• Préchauffer les tasses avec de l'eau chaude ou en les laissant pendant 20 minutes au moins sur la plaque chauffe-tasses du couvercle
Pompe très bruyante	• Le réservoir eau est vide	• Remplir le réservoir
	• Le réservoir est mal inséré et le clapet sur le fond n'est pas ouvert	• Enfoncer légèrement le réservoir pour ouvrir le clapet sur le fond
La crème du café est claire (elle sort rapidement du bec)	• Le café moulu est peu pressé	• Augmenter la pression du café moulu (fig. 10)
	• La quantité de café moulu est faible	• Augmenter la quantité de café moulu
	• La moulure du café est épaisse	• N'utiliser que du café moulu pour machine à café expresso
	• Qualité de café incorrecte	• Modifier la qualité de café moulu
La crème du café est foncée (le café sort lentement du bec)	• Le café moulu est trop pressé	• Diminuer la pression du café (fig. 6)
	• La quantité de café moulu est élevée	• Diminuer la quantité de café moulu
	• La douche de la chaudière expresso est bouchée	• Effectuer le nettoyage comme indiqué au chapitre "Nettoyage de la douche chaudière expresso".
	• Le filtre est bouché	• Effectuer le nettoyage comme indiqué au par. "nettoyage du filtre"
	• La moulure du café est trop fine	• N'utiliser que du café moulu pour machine à café expresso
	• Le café moulu est trop fin ou humide	• N'utiliser que du café moulu pour machine à café expresso et celui-ci ne doit pas être trop humide
	• Qualité de café moulu incorrecte	• Modifier la qualité de café moulu en poudre
La mousse du lait ne se forme pas au cours de la préparation du cappuccino	• Le lait n'est pas assez froid	• Utiliser toujours du lait à la température du frigo
	• La sortie de cappuccino est sale	• Nettoyer soigneusement les orifices de la sortie cappuccino, en particulier ceux indiqués en figure 21

Cette garantie s'applique à tous les appareils ménagers de marques De'Longhi ou Kenwood.

GARANTIE LIMITÉE

Qu'est-ce qui est couvert par la garantie?

Nous garantissons que chaque appareil est exempt de vices de matériaux et de fabrication. Notre obligation, dans le cadre de cette garantie, est limitée à la réparation, à notre usine ou dans un centre de réparation agréé, de toutes les pièces défectueuses ou leurs composants. En cas de remplacement ou retour d'un produit, il doit être retourné tout port payé. Le modèle neuf ou réparé sera retourné aux frais de la société. Cette garantie ne s'applique que dans les cas où l'appareil est utilisé conformément aux instructions de l'usine qui l'accompagnent et sur un circuit électrique à courant alternatif (c.a.).

Combien de temps dure la garantie?

Cette garantie dure une (1) année à partir de la date d'achat indiquée sur votre reçu et s'applique uniquement à l'acheteur initial pour l'utilisation.

Qu'est ce qui n'est pas couvert par cette garantie?

Cette garantie ne couvre ni les défauts ou dégâts résultant de réparations ou altérations apportées à l'appareil en dehors de notre usine ou des centres de réparation agréés ni les appareils qui ont été soumis à un mauvais traitement, une mauvaise utilisation, une négligence ou des accidents. En outre, les dommages-intérêts directs ou indirects résultant de l'utilisation de ce produit ou de la rupture d'un contrat ou du non-respect de cette garantie ne sont pas recouvrables dans le cadre de cette garantie. Certains états ou provinces n'autorisent pas l'exclusion ou la limitation des dommages-intérêts directs ou indirects. Par conséquent, la limitation ci-dessus peut ne pas s'appliquer à vous.

Comment faire réparer l'appareil?

Si des réparations s'avèrent nécessaires, consultez les informations ci-dessous :

Résidents des États-Unis : Veuillez appeler notre ligne d'assistance sans frais au 1-800-322-3848 ou connectez-vous à notre site Web à www.delonghi.com. Pour tous les accessoires, les pièces détachées et les pièces de rechange, veuillez contacter notre service des pièces détachées au 1-800-865-6330.

Résidents du Canada : Veuillez appeler notre ligne d'assistance sans frais au 1-888-335-6644 ou connectez-vous à notre site Web à www.delonghi.com.

Résidents du Mexique : Veuillez consulter la déclaration de garantie limitée pour le Mexique.

Autres pays : Veuillez visitez www.delonghi.com.

Veuillez consulter le dos du manuel pour connaître les adresses de De'Longhi.

La garantie ci-dessus remplace toutes les autres garanties et représentations explicites. Toutes les garanties implicites sont limitées à la période de garantie applicable établie ci-dessus. Cette limitation ne s'applique pas si vous concluez un contrat d'extension de garantie avec De'Longhi. Certains états ou provinces n'autorisent pas les limitations sur la durée des garanties implicites. Par conséquent, les exclusions ci-dessus peuvent ne pas s'appliquer à vous. De'Longhi n'autorise aucune personne ni société à assumer des responsabilités en association avec la vente ou l'utilisation de ses appareils.

Comment s'appliquent les lois de l'état ou de la province?

Cette garantie vous donne des droits juridiques précis et vous pouvez également avoir d'autres droits qui peuvent varier d'un état à un autre ou d'une province à une autre.

PRECAUCIONES IMPORTANTES

Al utilizar dispositivos eléctricos se deben observar algunas medidas básicas de seguridad. He aquí algunas de ellas:

- Lea todas las instrucciones.
- No toque las superficies calientes: sírvase de las asas y los selectores.
- No moje el aparato, ya que podría ocasionar una descarga eléctrica. Siga las instrucciones que se dan para la limpieza.
- No permitir que el aparato sea usado por niños o por incapaces sin vigilancia.
- Desenchufe el aparato para limpiarlo y cuando esté fuera de uso. Antes de desenchufarlo, ponga el selector en APAGADO. Déjelo enfriar antes de colocarle o extraerle algún componente y para limpiarlo.
- No utilice el aparato si el cable o el enchufe están deteriorados, o si ha sufrido algún daño. Llévelo al servicio técnico más cercano para su revisión, reparación o ajuste.
- El uso de accesorios no recomendados puede ser causa de accidentes.
- No utilice el horno al aire libre.
- No deje que el cable cuelgue de la encimera, ni que toque ninguna superficie caliente
- No coloque el aparato encima ni cerca de quemadores de gas o placas radiantes encendido o también en un horno calentado.
- Conectar el cable en el tomacorriente. Para desconectar el cable, colocar en "OFF" cualquier mando y luego sacar el enchufe del tomacorriente.
- No utilice el aparato para usos diversos de los previstos. Este aparato tendrá que destinarse sólo al uso para el cual ha sido concebido, es decir para uso doméstico. Cualquier otro uso es incorrecto y por consiguiente peligroso.
- Cuando la máquina está en funcionamiento no destornillar ni sacar el tapón de la caldera. Esperar que termine de hervir y que toda el agua y el vapor sean usados.

CONSERVE ESTAS INSTRUCCIONES

ESTO APARATO ESTÁ FABRICADO SÓLO PARA USO DOMESTICO

INSTRUCCIONES PARA EL CABLE CORTO

(sólo para Estados Unidos)

- Se suministra un cable de alimentación corto para reducir los riesgos consecuentes de un enganche o tropezadura con un cable largo.
- Se encuentran disponibles cables de alimentación separables más largos o cables de prolongación, los cuales se podrán utilizar con tal de que se preste la máxima atención.
- Si se utiliza un cable de prolongación, los valores eléctricos contraseñados tienen que ser por lo menos equivalentes a los del aparato. Si el aparato se suministra con cable de 3 hilos de tipo con puesta a tierra, el cable de prolongación tiene que ser un CABLE DE 3 HILOS DE TIPO CON PUESTA A TIERRA. El cable más largo tiene que estar predispuesto de modo que no se apoye sobre la superficie del banco o de la mesa, ya que podría ser halado por los niños y las personas podrían tropezarse.
- Su aparato está provisto de un enchufe polarizado para línea de corriente alterna (un enchufe que tiene una espiga más larga que la otra). Este enchufe se adaptará en el tomacorriente de una sola manera, la cual es una característica de seguridad. Si no logra introducir completamente el enchufe en el toma corriente, invértalo. Si el enchufe no entra aún, llame al electricista de manera de que sustituya el tomacorriente anómalo. No eludir el objetivo de seguridad del enchufe polarizado.

INTRODUCCIÓN

Le damos las gracias por haber elegido nuestra cafetera. Esperamos que su nuevo aparato le satisfaga. Dedique unos minutos para leer estas instrucciones para el uso. De esta forma evitará correr riesgos o causar desperfectos a la cafetera.

Símbolos utilizados en las instrucciones

Las advertencias importantes se indican con los siguientes símbolos. Deben absolutamente respetarse estas advertencias.



¡Peligro! El incumplimiento puede ser o es causa de lesiones provocadas por descargas eléctricas con peligro para la vida.



¡Atención! El incumplimiento puede ser o es causa de lesiones o de desperfectos al aparato.



¡Peligro de quemaduras! El incumplimiento puede ser o es causa de quemaduras o de ustiones.



¡Importante! Este símbolo indica consejos e informaciones importantes para el usuario.

SEGURIDAD

Advertencias fundamentales para la seguridad



¡Peligro! El aparato funciona con corriente eléctrica por lo que no se puede excluir que produzca descargas eléctricas.

Respete por tanto las siguientes advertencias de seguridad:

- No toque el aparato con las manos mojadas.
- No toque la clavija con las manos mojadas
- Asegúrese de poder acceder libremente al enchufe de corriente utilizado, porque es el único modo para desenchufar la cafetera si es necesario.
- Si quiere desenchufar la cafetera, desenchufe directamente la clavija. No tire nunca del cable porque podría estropearse.
- Para desconectar completamente el aparato, desenchufe la clavija del enchufe de corriente.
- Si el aparato se avería, no intente repararlo.
- Apague el aparato, desenchúfelo de la corriente y póngase en contacto con la Asistencia Técnica
- Si la clavija o el cable de alimentación se estropean, hágalos sustituir exclusivamente por la Asistencia Técnica para evitar cualquier riesgo.



¡Atención! Guarde el material del embalaje (bolsas de plástico, espuma de poliestireno) fuera del alcance de los niños



¡Atención! No permita que personas (incluidos niños) con capacidades psicofísicas sensoriales disminuidas o con experiencia y conocimientos insuficientes usen el aparato, a no ser que estén vigilados atentamente e instruidos por un responsable en relación a su seguridad. Vigile a los niños para asegurarse de que no jueguen con el aparato.



¡Peligro de quemaduras! Este aparato produce agua caliente y cuando está encendido puede formarse vapor ácuo.

Tenga cuidado de no entrar en contacto con salpicaduras de agua o vapor caliente.

Cuando el aparato está encendido, no toque la superficie calentatazas porque está caliente.

Uso conforme a su destino

Este aparato se ha construido para preparar café y calentar bebidas.

Este aparato debe emplearse exclusivamente para uso doméstico. No se contempla su uso en:

- entornos utilizados como cocina para el personal de tiendas, oficinas y otras áreas de trabajo
- hoteles, moteles y otras estructuras de hospedaje

Cualquier otro uso se considerará impropio y por tanto peligroso. El fabricante queda eximido de toda responsabilidad por los daños derivados de un uso impropio del aparato.

Instrucciones para el uso

Lea detenidamente estas instrucciones antes de usar el aparato

- Si no se respetan estas instrucciones, se pueden producir lesiones o daños al aparato.

El fabricante queda eximido de toda responsabilidad por los daños derivados del no respeto de estas instrucciones para el uso.



¡Importante! Guarde meticulosamente estas instrucciones. Si traspasa el aparato a otras personas, deberá entregarles también estas instrucciones para el uso.

DESCRIPCIÓN

1. Panel de mandos
2. Mando de vapor
3. Depósito del agua
4. Tapadera del depósito del agua
5. Cable de alimentación
6. Tubo de salida del vapor o del agua caliente
7. Bandeja apoyatazas
8. Bandeja recogegotas
9. Espumador
10. Boquilla
11. Vertedor de la caldera
12. Prensador

13. Medidor para el café molido
14. Portafiltro
15. Filtro grande 2 dosis
16. Filtro pequeño 1 dosis o bien para pastillas de café
17. Botón de selección función vapor
18. Botón de salida del café o del agua caliente
19. Botón de encendido/apagado
20. Luz piloto de encendido
21. Luz piloto de OK
22. Luz piloto de función vapor seleccionada
23. Superficie de apoyo calentatazas

OPERACIONES PRELIMINARES

Control del transporte

Tras haber desembalado la cafetera, asegúrese de su integridad y de que no falten accesorios.

No utilice el aparato si presenta desperfectos evidentes. Póngase en contacto con la Asistencia Técnica De'Longhi.

Instalación del aparato

Cuando instale el aparato considere las siguientes advertencias de seguridad:

- Si el agua penetrara en el aparato podría estropearlo. No coloque el aparato cerca de grifos de agua o de pilas.
- El aparato podría estropearse si el agua se congela en su interior. No instale el aparato en un ambiente donde la temperatura pueda descender por debajo del punto de congelación.
- Coloque el cable de alimentación para que no se estropee en cantos cortantes o en contacto con superficies calientes (por ej. placas eléctricas).

Conexión del aparato



¡Atención! Asegúrese de que la tensión de la red eléctrica corresponda al valor indicado en la placa de datos situada en el fondo del aparato.

- Solamente puede enchufarse el aparato a un enchufe de corriente instalado en conformidad a las normativas con una capacidad mínima de 10 A y con una puesta a tierra eficiente.
- En caso de incompatibilidad entre el enchufe y la clavija del aparato, haga sustituir el enchufe por otro adecuado por personal cualificado.
- El cable de alimentación de este aparato no debe ser sustituido por ningún motivo por el usuario ya que la sustitución requiere el uso de herramientas especiales. En caso de daño del cable, o para su sustitución, diríjase exclusivamente a un Centro de Asistencia autorizado por el fabricante para prevenir cualquier riesgo.

Llenado del depósito del agua

1. Abra la tapadera del depósito del agua (fig. 1), y extraiga el depósito tirando de él hacia arriba (fig. 2).
2. Llène el depósito con agua fresca y limpia prestando atención a no superar la indicación MAX. (fig.

3). Vuelva a poner el depósito en su lugar ejerciendo una ligera presión sobre él para que la válvula ubicada en el fondo del mismo se abra.

3. El depósito puede llenarse también sin extraerse, echando directamente el agua en su interior con una jarra.



Atención: nunca ponga en funcionamiento el aparato sin el agua en el depósito y recuerde siempre llenarlo cuando el nivel llegué a un par de centímetros desde el fondo.



Importante: es completamente normal encontrar agua en el compartimiento bajo el depósito; por tanto es necesario secar de vez en cuando dicho compartimiento con una esponja limpia.

CÓMO PREPARAR EL CAFÉ ESPRESSO

Pre calentamiento del grupo de café

Para obtener un café espresso a la temperatura correcta, se recomienda precalentar la cafetera de la siguiente manera:

1. Encienda la cafetera presionando la tecla ON/OFF (el respectivo piloto se ilumina) (fig. 4) y enganche el portafiltro a la cafetera sin llenarlo de café molido (fig. 5).
2. Coloque una taza bajo el portafiltro. Utilice la misma taza con la que se preparará el café para así precalentarla.
3. Espere a que se encienda la luz piloto de OK (fig. 6) y pulse de inmediato el botón de salida del café (fig. 7), deje salir el agua hasta que la luz piloto de OK se apague e interrumpa entonces la salida de agua pulsando de nuevo el botón de salida (fig. 7).
4. Vacíe la taza, espere a que la luz piloto de "OK" vuelva a encenderse y repita nuevamente la misma operación.

(Es normal que durante la operación de desenganche del portafiltro, ocurra una pequeña e inocua exhalación de vapor).

CÓMO PREPARAR EL ESPRESSO CON EL CAFÉ MOLIDO

1. Después de haber precalentado la cafetera como se describe en el párrafo anterior, introduzca el filtro para café molido en el portafiltro, asegurándose de que la prominencia esté correctamente ubicada en su alojamiento como se muestra en la fig. 8. Utilice el filtro más pequeño si se desea preparar un café o el más grande si se desean 2 cafés.
2. Si se desea preparar un solo café, eche un medidor raso de café molido en el filtro; aproximadamente 7 g (fig. 9). Si se desea en cambio preparar dos cafés, eche en el filtro dos medidores no muy llenos de café molido (unos 6+6 g). Llène el filtro con dosis pequeñas para evitar derramar el café molido.



Atención: para un funcionamiento correcto, antes de echar el café molido, asegúrese de que en el filtro no hayan quedado restos de café molido de la fusión anterior.

- Distribuya uniformemente el café molido y presiónelo ligeramente con el prensador (fig. 10).
El prensado del café molido es fundamental para obtener un buen café espresso. Si se prensa demasiado, el café saldrá lentamente y la crema será de color oscuro. Si se prensa poco, en cambio, el café saldrá demasiado rápidamente y se obtendrá poca crema de color claro.
- Retire el café excedente del borde del portafiltro y enganche éste último a la cafetera: gire la empuñadura hacia la derecha con firmeza (fig. 5) para evitar escapes de agua.
- Coloque la taza o las tazas bajo las boquillas del portafiltro (fig. 11). Se recomienda calentar las tazas, antes de preparar el café, enjuagándolas con un poco de agua caliente o precalentándolas en la superficie superior durante por lo menos 15-20 minutos (fig. 12).
- Asegúrese de que el piloto de OK (fig. 6) esté encendido (si está apagado, espere a que se encienda) y presione el botón de salida del café (fig. 7). Una vez obtenida la cantidad de café deseada, para interrumpir la salida, vuelva a pulsar el botón (fig. 7). (Se recomienda no dejar salir el café por más de 45 segundos).
- Para desenganchar el portafiltro, gire la empuñadura de derecha a izquierda.



¡Peligro de quemaduras! Para evitar salpicaduras, nunca desenganche el portafiltro mientras la cafetera esté en funcionamiento.

- Para eliminar el café usado, bloquee el filtro presionándolo con la respectiva palanquilla incorporada en la empuñadura y haga salir el café golpeando el portafiltro en posición invertida (fig. 13).
- Para apagar la cafetera, pulse el botón de encendido/apagado (fig. 4).

Al usar la cafetera por primera vez es necesario lavar todos los accesorios y los circuitos internos haciendo por lo menos cinco cafés sin utilizar el café molido.

CÓMO PREPARAR EL ESPRESSO UTILIZANDO LAS PASTILLAS DE CAFÉ

- Precaliente la cafetera como se describe en el párrafo "PRECALENTAMIENTO DEL GRUPO DE CAFÉ", asegurándose de que el portafiltro quede enganchado a la cafetera. De esta manera se obtendrá un café más caliente.



Importante: utilice pastillas de café que cumplan con la norma ESE: dicha norma se indica en los envases con la siguiente marca.



La norma ESE es un sistema que han adoptado los productores más importantes de pastillas de café, que permite preparar un café espresso fácilmente y con pulcritud.

- Introduzca el filtro pequeño en el portafiltro, asegurándose de que la prominencia quede correctamente introducida en su alojamiento como se muestra en la fig. 8.
- Introduzca la pastilla centrándola lo más posible sobre el filtro (fig. 14). Siga rigurosamente las instrucciones en el envase de las pastillas para colocar la pastilla correctamente en el filtro.
- Enganche el portafiltro a la cafetera y gírelo siempre hasta el tope (fig. 5).
- Proceda como se indica en los puntos 5, 6 y 7 del párrafo anterior.

CÓMO PREPARAR EL CAPUCHINO

- Prepare el café espresso como se indica en los párrafos anteriores, utilizando tazas suficientemente grandes.
- Pulse el botón vapor (fig. 15).
- Mientras tanto, llene un recipiente con 100 gramos de leche para cada capuchino que se desea preparar. La leche debe ser fría; a temperatura del frigorífico (¡no caliente!). Al elegir las dimensiones del recipiente, tenga en cuenta que la leche crecerá el doble o el triple de su volumen.



Importante: se recomienda utilizar leche semidesnatada y a temperatura del frigorífico.

- Coloque el recipiente con la leche bajo el espumador.
- Espere a que se encienda la luz piloto correspondiente al botón de vapor (fig. 16). El encendido de la luz indica que la caldera ha alcanzado la temperatura ideal para la producción de vapor.
- Abra el grifo de vapor durante algunos segundos para vaciar el agua que pueda estar presente en el circuito. Vuelva a cerrar el grifo.
- Sumerja unos milímetros del espumador en la leche (fig. 17) prestando atención a no sumergir la línea en relieve del mismo (que muestra la flecha de la fig. 17). Gire el mando en sentido antihorario, fig. 18 dándole por lo menos media vuelta. El vapor sale por el espumador dándole un aspecto cremoso a la leche y aumentando su volumen. Para obtener una espuma más cremosa, sumerja el espumador en la leche y haga girar el recipiente con movimientos lentos de abajo hacia arriba.

- Cuando la leche crece al doble de su volumen, sumerja el espumador profundamente y siga calentando la leche. Una vez alcanzada la temperatura deseada (el valor ideal es de 60 °C), interrumpa la salida del vapor girando el mando de vapor en sentido horario y suelte el botón del vapor. Para apagar la cafetera, pulse el botón de encendido/apagado (fig. 4) (Se apaga el respectivo piloto de encendido).
- Eche la leche montada en las tazas que contienen el café espresso preparado previamente. El capuchino está listo: endulce a su gusto y, si lo desea, espolvoree le espuma con poco de chocolate en polvo.



Importante:

- Si se van a preparar varios capuchinos, es necesario hacer primero los cafés y sólo al final preparar la leche montada para los capuchinos.
- Si se desea preparar nuevamente el café después de haber montado la leche, es necesario primero enfriar la caldera para evitar que el café se queme. Para enfriarla, coloque un recipiente bajo el vertedor, pulse el botón del vapor y deje salir el agua hasta que se apague el piloto correspondiente a la función de vapor: proceda entonces con la preparación del café. Se recomienda dejar salir el vapor durante máximo 60 segundos y no montar la leche más de 3 veces seguidas.



Atención: por motivos de higiene se recomienda limpiar siempre el espumador tras el uso.

Lleve a cabo el siguiente procedimiento:

- Deje salir un poco de vapor durante unos segundos (puntos 2, 5 y 6 del párrafo anterior) girando el mando de vapor (fig. 18). Con esta operación, el espumador descarga la leche que pueda haber quedado en su interior. Apague el aparato presionando el botón de encendido/apagado.
- Sostenga con una mano el tubo espumador de manera que no se mueva y con la otra desbloquee el espumador girándolo en sentido horario y tirando de él hacia abajo (fig. 19).
- Retire la boquilla de vapor del tubo de salida tirando de ella hacia abajo (fig. 20).
- Lave meticulosamente el espumador y la boquilla de vapor con agua tibia.
- Controle que los dos orificios que indican las flechas en la fig. 21 no estén obstruidos. De ser necesario, límpielos usando un alfiler.
- Vuelva a montar la boquilla de vapor encajándola firmemente hacia arriba en el tubo de vapor.
- Vuelva a montar el espumador introduciéndolo hacia arriba y girándolo en sentido antihorario.

PRODUCCIÓN DE AGUA CALIENTE

- Encienda la cafetera presionando el botón de encendido/apagado (fig. 4). Espere a que el piloto de OK se encienda (fig. 6).
- Coloque un recipiente bajo el espumador.
- Pulse el botón de salida (fig. 7) girando a la vez el mando de vapor en sentido antihorario (fig. 18): el agua caliente sale por el espumador.
- Para interrumpir la salida de agua caliente, gire en sentido horario el mando de vapor y pulse nuevamente el botón de salida (fig. 7). Se recomienda no dejar salir el agua caliente durante más de 60 segundos.

LIMPIEZA



¡Peligro! Antes de llevar a cabo cualquier operación de limpieza de las partes externas del aparato, apague la máquina, desenchufe la clavija y deje que la máquina se enfríe.

Limpieza y mantenimiento del filtro

Cada 300 cafés aproximadamente y cuando el café sale goteando por el portafiltro o no sale completamente, limpie el portafiltro y los filtros del café molido de la siguiente manera:

- Quite el filtro del portafiltro.
- Desenrosque el tapón del filtro (fig. 22) en el sentido que indica la flecha presente en el tapón mismo.
- Retire el dispositivo montacrema del recipiente empujándolo por la parte del tapón.
- Quite la junta.
- Enjuague todos los componentes y limpie meticulosamente el filtro metálico con agua caliente frotándolo con una escobilla (fig. 23). Controle que los orificios del filtro metálico no estén obstruidos; si lo están, límpielos usando un alfiler (véase fig. 20).
- Vuelva a montar el filtro y la junta en el disco de plástico como se indica en la figura 25. Preste atención a que la patilla del disco de plástico quede introducida en el orificio de la junta que indica la flecha en la fig. 25.
- Vuelva a introducir este conjunto en el recipiente de acero para el filtro (fig. 26), asegurándose de que la patilla quede introducida en el orificio del soporte mismo (véase la flecha de la fig. 26).
- Enrosque por último el tapón.

La garantía pierde toda validez si dichas operaciones de limpieza no se efectúan regularmente.

Limpieza del vertedor de la caldera

Cada 300 cafés aproximadamente, es necesario limpiar el vertedor de la caldera de café espresso de la siguiente manera:

- Asegúrese de que la cafetera no esté caliente y de que la clavija esté desenchufada.
- Usando un destornillador, desenrosque el tornillo

que fija el vertedor de la caldera de café espresso (fig. 27).

- Quite el vertedor de la caldera.
- Limpie con un paño húmedo la caldera (fig. 27).
- Limpie el vertedor meticulosamente con agua caliente frotándolo con una escobilla. Controle que los orificios no estén obstruidos; si lo están, límpielos usando un alfiler (fig. 24).
- Enjuague el vertedor bajo el grifo de agua corriente frotándolo constantemente.
- Vuelva a montar el vertedor de la caldera prestando atención a colocarlo correctamente en la junta.

La garantía pierde toda validez si dichas operaciones de limpieza no se efectúan regularmente.

Otras operaciones de limpieza

1. Para limpiar la cafetera no use disolventes o detergentes abrasivos. Es suficiente usar un paño húmedo y suave.
2. Limpie regularmente la copa portafiltro, los filtros, la bandeja recoge gotas y el depósito del agua.
Para vaciar la bandeja recoge gotas, retire la rejilla apoyatazas, elimine el agua y limpie la bandeja con un paño: vuelva a ensamblar entonces la bandeja recoge gotas.
Limpie el depósito del agua usando una escobilla suave para llegar bien hasta el fondo.



¡Peligro! Durante la limpieza, no sumerja nunca la cafetera en el agua: es un aparato eléctrico.

DESCALCIFICACIÓN

Se recomienda descalcificar la cafetera aproximadamente cada 200 cafés. Se recomienda utilizar el descalcificador De'Longhi disponible en el mercado.

Lleve a cabo el siguiente procedimiento:

1. Llene el depósito con la solución de descalcificación, que se obtiene al diluir con agua el descalcificador según las indicaciones del frasco.
2. Pulse el botón de encendido/apagado y espere a que se encienda la lámpara piloto de OK.
3. Asegúrese de que el portafiltro no esté enganchado y coloque un recipiente bajo el vertedor de la cafetera.
4. Pulse el interruptor de salida del café y deje salir aproximadamente 1/4 de la solución contenida en el depósito: de vez en cuando, gire el mando de vapor y deje salir un poco de la solución; interrumpa entonces la salida pulsando de nuevo el interruptor y deje actuar la solución durante unos 5 minutos.
5. Repita 3 veces más la operación del punto 4 hasta que el depósito quede completamente vacío.
6. Para eliminar los restos de la solución y de cal, enjuague bien el depósito, llénelo de agua limpia (sin descalcificador).
7. Pulse el botón de salida del café (fig. 6) y deje salir

el agua hasta que el depósito quede completamente vacío.

8. Repita las operaciones 6 y 7 una vez más.
La garantía no cubre reparaciones de la cafetera necesarias debido a problemas de cal si la descalcificación arriba descrita no se ha efectuado regularmente.

PROBLEMA	POSIBLES CAUSAS	SOLUCIÓN
El café espresso no sale	• Falta de agua en el depósito	• Llene el depósito del agua
	• Los orificios de salida del café del portafiltro están obstruidos	• Limpie los orificios de las boquillas del portafiltro
	• El vertedor de la caldera del café espresso está obstruido	• Efectúe la limpieza tal y como se indica en el párrafo "Limpieza del vertedor de la caldera"
El café espresso gotea por los bordes del portafiltro y no por los orificios	• El portafiltro está colocado incorrectamente	• Enganche el portafiltro correctamente y gírelo hasta el tope con firmeza
	• La junta de la caldera del café espresso ha perdido elasticidad	• Haga sustituir la junta de la caldera del café espresso en un Centro de Asistencia
	• Los orificios de las boquillas del portafiltro están obstruidos	• Limpie los orificios de las boquillas
El café espresso está frío	• La lámpara piloto OK del café espresso no se enciende al presionar el interruptor de salida del café	• Espere a que se encienda la lámpara piloto de OK
	• No se ha efectuado el precalentamiento	• Efectúe el precalentamiento como se indica en el párrafo
	• No se han precalentado las tazas	• Precaliente las tazas con agua caliente o apóyelas durante por lo menos 20 minutos en la superficie caliente tazas sobre la tapadera
Ruido elevado de la bomba	• El depósito del agua está vacío	• Llene el depósito del agua
	• El depósito está colocado incorrectamente y la válvula en el fondo del mismo no está abierta	• Ejercer una leve presión sobre el depósito para abrir la válvula en el fondo del mismo
La crema del café es clara (sale rápidamente por la boquilla)	• El café molido no está bien prensado	• Prese aún más el café molido (fig. 10)
	• La cantidad de café molido no es suficiente	• Aumente la cantidad de café molido
	• La molienda del café es gruesa	• Use únicamente café molido para cafeteras de café espresso
	• El café molido no es del tipo correcto	• Cambie el tipo de café molido
La crema del café es oscura (el café sale lentamente por la boquilla)	• El café molido está demasiado prensado	• Prese menos el café (fig. 6)
	• La cantidad de café molido es alta	• Reduzca la cantidad de café molido
	• El vertedor de la caldera del café espresso está obstruido	• Efectúe la limpieza tal y como se indica en el capítulo "Limpieza del vertedor de la caldera de café espresso".
	• El filtro está obstruido	• Efectúe la limpieza tal y como se indica en el párrafo "limpieza del filtro"
	• La molienda del café es demasiado fina	• Use únicamente café molido para cafeteras de café espresso
	• El café molido es demasiado fino o está húmedo	• Use únicamente café molido para cafeteras de café espresso, y que no esté demasiado húmedo
	• El café molido no es del tipo correcto	• Cambie el tipo de café molido
No se forma la espuma de la leche al hacer el capuchino	• La leche no está suficientemente fría	• Use siempre leche a temperatura del frigorífico
	• El espumador está sucio	• Limpie meticulosamente los orificios del espumador, especialmente los que se muestran en la figura 21

Esta garantía cubre todos los productos con las marcas De'Longhi o Kenwood.

GARANTÍA LIMITADA

(para los Estados Unidos solamente)

Alcance de la garantía

Cada artefacto tiene garantía por defectos de materiales y de fabricación. Bajo los términos de esta garantía limitada, nuestra obligación se limita a la reparación de partes o componentes (a excepción de partes dañadas durante el transporte) en nuestra fábrica o en un centro autorizado de servicio. Al devolver un producto para cambio o reparación, todos los costos de envío deben ser pagados por el propietario del mismo. El producto nuevo o reparado será devuelto con los gastos de envío pagados por la compañía.

Esta garantía es válida únicamente si el artefacto se utiliza de acuerdo con las instrucciones del fabricante (incluidas con el artefacto) y alimentada eléctricamente con corriente alterna (CA).

Duración de la garantía

Esta garantía es válida por un (1) año a partir de la fecha de compra que figura en el recibo o factura de venta de la unidad, y sólo el comprador original tiene derecho a hacer uso de la garantía.

Exclusiones de la garantía

La garantía no cubre defectos ni daños que fueran consecuencia de reparaciones o modificaciones efectuadas al artefacto por personal ajeno a nuestra fábrica o a centros autorizados de servicio, ni cubre fallas o daños causados por maltrato, uso indebido, negligencia o accidentes. Esta garantía tampoco reconocerá reclamos efectuados por perjuicios directos ni indirectos emergentes del uso del producto, ni perjuicios o daños resultantes del uso del producto en incumplimiento de los términos y condiciones que hacen válida la garantía. En algunos estados no se permiten exclusiones ni limitaciones de los perjuicios reconocidos por una garantía, por lo cual las limitaciones mencionadas podrían ser no válidas en su caso particular.

Obtención de servicios de garantía

Si las reparaciones son necesarias, vea la información de contacto que aparece a continuación:

Residentes de los Estados Unidos: Por favor contactar a nuestra línea telefónica gratuita, al 1-800-322-3848 o ingrese a nuestro sitio en el Internet www.delonghi.com. Para todos los accesorios, piezas de repuesto o de reemplazo, por favor contactar a nuestra división de piezas, al 1-800-865-6330.

Residentes de Canadá: Por favor contactar a nuestra línea telefónica gratuita, al 1-888-335-6644 o ingrese a nuestro sitio en el Internet www.delonghi.com <<http://www.delonghi.com/>>.

Residentes de México: Refiera por favor a la garantía limitada para México.

Por favor vea la página trasera donde encontrará las direcciones de De'Longhi.

La garantía explicada anteriormente se ofrece en reemplazo de cualquier otra garantía, sea expresa u ofrecida de cualquier otra manera, y toda garantía implícita del producto estará limitada al período de duración mencionado anteriormente. Esta limitación queda anulada y es reemplazada por otros términos si el usuario decide obtener una garantía prolongada de De'Longhi. En algunos estados no se permiten limitaciones del período de garantía implícita, por lo cual las limitaciones mencionadas anteriormente podrían no ser válidas en su caso particular. De'Longhi no autoriza a ninguna otra persona ni compañía a ofrecer ningún tipo de garantía ni responsabilidad con respecto al uso o a los términos de venta de sus artefactos.

Leyes estatales/provinciales

Esta garantía le confiere derechos establecidos por ley, pero usted también podría tener otros derechos que varían de un estado a otro.

Esta garantía cubre todos los productos con las marcas De'Longhi o Kenwood.

GARANTIA LIMITADA PARA MÉXICO

DESCRIPCIÓN Y MODELO: CAFETERA ELECTRICA MODELO ECO310

Garantizamos todo producto DE'LONGHI por defectos de fabricación, material y mano de obra. Nuestra obligación dentro de ésta garantía es proporcionar gratuitamente las refacciones y el servicio durante un año a partir de la fecha de compra. Esta garantía se aplicará únicamente si el producto se utiliza de acuerdo con las instrucciones anexas del fabricante y con un circuito de corriente alterna (ca). Esta garantía reemplaza a cualquier otra garantía y acuerdo, expreso o implícito y a todas las demás obligaciones o responsabilidades de nuestra parte. No autorizamos a ninguna otra persona o compañía a asumir nuestras responsabilidades relacionadas con la venta y el uso de nuestro producto. Esta garantía no implica ninguna responsabilidad de parte nuestra en relación con la venta o el uso de nuestro producto.

Esta garantía no se hará válida en los siguientes casos:

- a) Cuando el producto se hubiese utilizado en condiciones distintas a las normales
- b) Cuando el producto no hubiese sido operado de acuerdo con el instructivo de uso que se le acompaña
- c) Cuando el producto hubiese sido alterado o reparado por personas no autorizadas por el fabricante nacional, importador o comercializador responsable respectivo.

Para hacer efectiva la garantía o si se necesitan reparaciones o refacciones, componentes, combustibles y accesorios llame, con su garantía sellada por el establecimiento, al Centro Nacional de Servicio para proporcionarle una cuenta de mensajería con la cual deberá remitir el producto y garantía. Los gastos que se deriven del cumplimiento de la presente garantía deberán ser absorbidos por el Centro Nacional de Servicio De'Longhi.

Obtención de servicios de garantía

Si las reparaciones son necesarias, vea la información de contacto que aparece a continuación:

Residentes de los Estados Unidos:

Por favor contactar a nuestra línea telefónica gratuita, al 1-800-322-3848 o ingrese a nuestro sitio en el Internet www.delonghi.com.

Para todos los accesorios, piezas de repuesto o de reemplazo, por favor contactar a nuestra división de piezas, al 1-800-865-6330.

Residentes de Canadá: Por favor contactar a nuestra línea telefónica gratuita, al 1-888-335-6644 o ingrese a nuestro sitio en el Internet www.delonghi.com <<http://www.delonghi.com/>>.

Residentes de México: Por favor contactar a nuestra línea telefónica gratuita, al 01-800-711-88-05 (lada sin costo) / 56-62-53-68 y 69 (D.F.) o ingrese a nuestro sitio en el Internet www.delonghi.com <<http://www.delonghi.com/>>.

Fiducia Italiana S.A de C.V.
Pestalozzi 814
Col. Del Valle
Del. Benito Juarez
México D.F. 03100
tels: 5543 1447 y 5543 6492
Lada sin costo: 01800 711 8805

FECHA DE COMPRA

AVVERTENZE IMPORTANTI

L'uso di qualsiasi apparecchio elettrico comporta l'osservanza di alcune regole fondamentali. In particolare:

- Leggere attentamente le istruzioni
- Assicurarsi che il voltaggio del vostro impianto elettrico corrisponda a quello indicato sul fondo della macchina.
- Non toccare le superfici calde, usare le apposite impugnature.
- Per proteggersi da eventuali rischi elettrici, non immergere il cavo, la base contenente la spina o il bollitore in acqua o in altro liquido.
- Non lasciare l'apparecchio alla portata dei bambini, né lasciatelo in funzione senza sorveglianza.
- Rimuovere la spina dalla presa elettrica quando l'apparecchio non è in uso e prima di effettuare la pulizia.
- Non utilizzare l'apparecchio se il cavo o la spina sono danneggiati, se l'apparecchio non funziona bene o se è danneggiato. Portare l'apparecchio al centro assistenza autorizzato più vicino per le opportune valutazioni.
- L'uso di accessori non indicati dal produttore potrebbe essere causa di incendio, scosse elettriche o ferite.
- Non utilizzare l'apparecchio all'aperto.
- Non lasciare che il cavo di alimentazione sporga dal tavolo o dalla superficie di lavoro per evitare di impigliarvi o di inciamparvi accidentalmente.
- Non avvicinare l'apparecchio e le parti elettriche a fornelli elettrici, piani di cottura o fornelli a gas.
- Attaccare la spina alla presa. Per toglierla, spegnere l'apparecchio e staccare la spina.
- Non utilizzare l'apparecchio per usi diversi da quelli indicati. L'apparecchio deve essere utilizzato solo per uso domestico. Il costruttore declina qualsiasi responsabilità per eventuali danni derivanti da uso improprio, non corretto o irresponsabile.

Attenzione: per evitare il pericolo di incendi o scosse, non rimuovere la parte superiore dell'apparecchio. All'interno non vi è alcun elemento utilizzabile dall'utente. Eventuali riparazioni devono essere effettuate da Centri Assistenza Autorizzati!

CONSERVARE QUESTE ISTRUZIONI

QUESTO APPARECCHIO È DESTINATO SOLO ALL'USO DOMESTICO

CAVO DI ALIMENTAZIONE CORTO

(solo per Stati Uniti)

- L'apparecchio è dotato di un cavo di alimentazione corto per ridurre le possibilità di attorcigliamento del cavo ed evitare di inciampare su cavi troppo lunghi.
- È possibile utilizzare cavi removibili o cavi di prolunga più lunghi prestando però molta attenzione durante il loro utilizzo.
- Nel caso si utilizzi un cavo più lungo, le specifiche elettriche devono corrispondere a quelle indicate sulle specifiche elettriche dell'apparecchio. Se l'apparecchio ha la messa a terra, il cavo dovrà essere a tre fili con terra. La parte del cavo che eccede il fabbisogno, deve essere sistemata in modo da non uscire dal tavolo o dal piano di lavoro dove potrebbe essere tirata da bambini o sulla quale si potrebbe inciampare.
- Il vostro apparecchio è provvisto di una spina polarizzata a corrente alternata (ovvero una spina avente una lamina più larga delle altre). Questa spina si inserisce solo in un verso alla presa: si tratta di un dispositivo di sicurezza.

Se non riuscite ad infilare la spina nella presa, provate a girarla. Se ancora non riuscite ad infilarla, contattate il vostro elettricista di fiducia per sostituire la presa.

INTRODUZIONE

Grazie per aver scelto la nostra macchina da caffè. Vi auguriamo buon divertimento con il vostro nuovo apparecchio.

Prendetevi un paio di minuti per leggere le presenti istruzioni per l'uso.

Eviterete così di incorrere in pericoli o di danneggiare la macchina.

Simbologia utilizzata nelle presenti istruzioni

Le avvertenze importanti recano questi simboli. È assolutamente necessario osservare queste avvertenze.



Pericolo! La mancata osservanza può essere o è causa di lesioni da scossa elettrica con pericolo per la vita.



Attenzione! La mancata osservanza può essere o è causa di lesioni o di danni all'apparecchio.



Pericolo Scottature! La mancata osservanza può essere o è causa di scottature o di ustioni.



Nota Bene: Questo simbolo evidenzia consigli ed informazioni importanti per l'utente.

SICUREZZA

Avvertenze fondamentali per la sicurezza



Pericolo! Poiché l'apparecchio funziona a corrente elettrica, non si può escludere che generi scosse elettriche.

Attenersi quindi alle seguenti avvertenze di sicurezza:

- Non toccare l'apparecchio con le mani o i piedi bagnati.
- Non toccare la spina con le mani bagnate.
- Assicurarsi che la presa di corrente utilizzata sia sempre liberamente accessibile, perché solo così si potrà staccare la spina all'occorrenza.
- Se si vuole staccare la spina dalla presa, agire direttamente sulla spina. Non tirare mai il cavo perché potrebbe danneggiarsi.
- Per scollegare completamente l'apparecchio, staccare la spina dalla presa di corrente.
- In caso di guasti all'apparecchio, non tentare di ripararli.

Spegnere l'apparecchio, staccare la spina dalla presa e rivolgersi all'Assistenza Tecnica.

- In caso di danni alla spina o al cavo di alimentazione, farli sostituire esclusivamente dall'Assistenza Tecnica De'Longhi, in modo da prevenire ogni rischio.



Attenzione: Conservare il materiale dell'imballaggio (sacchetti di plastica, polistirolo espanso) fuori dalla portata dei bambini.



Attenzione: Non consentire l'uso dell'apparecchio a persone (anche bambini) con ridotte capacità psico-fisico-sensoriali, o con esperienza e conoscenze insufficienti, a meno che non siano attentamente sorvegliate e istruite da un responsabile della loro incolumità. Sorvegliare i bambini, assicurandosi che non giochino con l'apparecchio.



Pericolo Scottature! Questo apparecchio produce acqua calda e quando è in funzione può formarsi del vapore acqueo.

Prestare attenzione di non venire in contatto con spruzzi d'acqua o vapore caldo.

Quando l'apparecchio è in funzione non toccare il ripiano scaldato perché caldo.

Uso conforme alla destinazione

Questo apparecchio è costruito per la preparazione del caffè e per riscaldare bevande.

Questo apparecchio è destinato esclusivamente all'uso domestico. Non è previsto l'uso in:

- ambienti adibiti a cucina per il personale di negozi, uffici e altre aree di lavoro
- hotel, motel e altre strutture ricettive

Ogni altro uso è da considerarsi improprio e quindi pericoloso. Il costruttore non risponde per danni derivanti da un uso improprio dell'apparecchio.

Istruzioni per l'uso

Leggere attentamente queste istruzioni prima di utilizzare l'apparecchio.

- Il mancato rispetto di queste istruzioni può essere fonte di lesioni e di danni all'apparecchio.

Il costruttore non risponde per danni derivanti dal mancato rispetto di queste istruzioni per l'uso.



Nota Bene: Conservare accuratamente queste istruzioni. Qualora l'apparecchio venga ceduto ad altre persone, consegnare loro anche queste istruzioni per l'uso.

DESCRIZIONE

1. Pannello dei comandi
2. Manopola vapore
3. Serbatoio per l'acqua
4. Coperchio del serbatoio acqua
5. Cavo di alimentazione
6. Tubo erogazione del vapore oppure dell'acqua calda
7. Vassoio poggiategge
8. Vaschetta raccogli gocce
9. Cappuccinatore
10. Ugello
11. Doccia della caldaia
12. Pressino
13. Misurino per il caffè macinato
14. Portafiltro
15. Filtro grande 2 dosi

16. Filtro piccolo 1 dose oppure per cialde
17. Tasto selezione funzione vapore
18. Tasto erogazione caffè oppure acqua calda
19. Tasto acceso/spento
20. Lampada spia acceso
21. Lampada spia OK
22. Lampada spia funzione vapore selezionata
23. Piano d'appoggio scaldacoffee

OPERAZIONI PRELIMINARI

Controllo del trasporto

Dopo aver tolto l'imballaggio, assicurarsi dell'integrità dell'apparecchio e della presenza di tutti gli accessori. Non utilizzare l'apparecchio in presenza di danni evidenti. Rivolgersi all'Assistenza Tecnica De'Longhi.

Installazione dell'apparecchio

Quando si installa l'apparecchio si devono osservare le seguenti avvertenze di sicurezza:

- L'eventuale penetrazione di acqua nell'apparecchio potrebbe danneggiarlo. Non posizionare l'apparecchio in prossimità di rubinetti dell'acqua o di lavandini.
- L'apparecchio potrebbe danneggiarsi se l'acqua al suo interno si ghiaccia. Non installare l'apparecchio in un ambiente dove la temperatura può scendere al di sotto del punto di congelamento.
- Sistemare il cavo di alimentazione in modo che non venga danneggiato da spigoli taglienti o dal contatto con superfici calde (ad es. piastre elettriche).

Collegamento dell'apparecchio



Attenzione! Assicurarsi che la tensione della rete elettrica corrisponda a quella indicata nella targa dati sul fondo dell'apparecchio.

- Collegare l'apparecchio solo ad una presa di corrente installata a regola d'arte avente una portata minima di 10A e dotata di efficiente messa a terra.
- In caso di incompatibilità tra la presa e la spina dell'apparecchio, fare sostituire la presa con un'altra di tipo adatto, da personale qualificato.
- Il cavo d'alimentazione di questo apparecchio non deve essere mai sostituito dall'utente in quanto la sostituzione richiede l'impiego d'utensili speciali. In caso di danneggiamento del cavo, o per la sua sostituzione, rivolgersi esclusivamente ad un Centro d'Assistenza autorizzato dal costruttore in modo da prevenire ogni rischio.

Riempimento del serbatoio acqua

1. Aprire il coperchio del serbatoio acqua (fig. 1), quindi estrarre il serbatoio tirandolo verso l'alto (fig. 2).
2. Riempire il serbatoio di acqua fresca e pulita facendo attenzione a non superare la scritta MAX. (fig. 3). Reinscrivere il serbatoio premendolo leggermente in modo da aprire la valvola situata sul fondo del

serbatoio stesso.

3. Più semplicemente, il serbatoio può essere riempito senza estrarlo versandovi l'acqua direttamente con una caraffa.



Attenzione: non mettere mai in funzione l'apparecchio senza l'acqua nel serbatoio e ricordarsi sempre di riempirlo quando il livello arriva ad un paio di centimetri dal fondo.



Nota Bene: è del tutto normale trovare dell'acqua nel vano sotto il serbatoio; pertanto saltuariamente questo vano va asciugato utilizzando una spugna pulita.

COME OPERARE PER FARE IL CAFFÈ ESPRESSO

Preriscaldamento del gruppo caffè

Per ottenere un caffè espresso alla giusta temperatura, si consiglia di pre-riscaldare la macchina in questo modo:

1. Accendere la macchina premendo il tasto ON/OFF (la relativa spia si illumina) (fig. 4) e agganciare il portafiltro alla macchina senza riempirlo di caffè macinato (fig. 5).
2. Posizionare una tazza sotto il portafiltro. Utilizzare la stessa tazza con cui si preparerà il caffè in modo da pre-riscaldarla.
3. Attendere l'accensione della lampada spia OK (fig. 6) e subito dopo premere il tasto erogazione caffè (fig. 7), lasciare fuoriuscire l'acqua fino allo spegnimento della lampada spia OK, quindi interrompere premendo nuovamente il tasto erogazione (fig. 7).
4. Svuotare la tazza, attendere che la lampada spia "OK" si riaccenda di nuovo e ripetere un'altra volta la stessa operazione.

(E' normale che durante l'operazione di sganciamento del portafiltro, avvenga un piccolo ed innocuo sbuffo di vapore).

COME PREPARARE L'ESPRESSO CON IL CAFFÈ MACINATO

1. Dopo avere eseguito il preriscaldamento della macchina come descritto nel paragrafo precedente, inserire il filtro per caffè macinato nel portafiltro, assicurandosi che la bugna sia correttamente inserita nell'apposita sede come indicato in fig. 8. Utilizzare il filtro più piccolo se si vuole fare un caffè oppure quello più grande se si vogliono fare 2 caffè.
2. Se si vuole preparare un solo caffè, riempire il filtro con un misurino raso di caffè macinato, circa 7gr. (fig. 9). Se si desidera, invece, preparare due caffè, riempire il filtro con due misurini scarsi di caffè macinato (circa 6+6 gr). Riempire il filtro a piccole dosi per evitare che il caffè macinato trabocchi.



Attenzione: per un corretto funzionamento, prima di riempirlo di caffè macinato, assicurarsi sempre che il filtro non abbia residui di polvere di caffè della precedente infusione.

3. Distribuire uniformemente il caffè macinato e premere leggermente con il pressino (fig. 10). La pressatura del caffè macinato è molto importante per ottenere un buon caffè espresso. Se si preme troppo, il caffè fuoriuscirà lentamente e la crema sarà di colore scuro. Se si preme poco, invece, il caffè uscirà troppo velocemente e si otterrà poca crema di colore chiaro.
4. Togliere eventuale eccedenza di caffè dal bordo del portafiltro ed agganciare quest'ultimo alla macchina: ruotare l'impugnatura verso destra con decisione (fig. 5) per evitare perdite d'acqua.
5. Posizionare la tazza o le tazze sotto i beccucci del portafiltro (fig. 11). Si consiglia di riscaldare le tazze, prima di fare il caffè, risciacquandole con un po' di acqua calda oppure mettendole a preriscaldare sul piano superiore per almeno 15-20 minuti (fig. 12).
6. Assicurarsi che la spia OK (fig. 6) sia accesa (se è spenta, attendere che si accenda) e premere il tasto erogazione caffè (fig. 7). Ottenuta la quantità di caffè desiderata, per interrompere, ri-premere lo stesso tasto (fig. 7). (Si consiglia di erogare caffè per non più di 45 secondi).
7. Per sganciare il portafiltro, ruotare l'impugnatura da destra a sinistra.



Pericolo scottature! Per evitare spruzzi, non sganciare mai il portafiltro mentre la macchina è in erogazione.

8. Per eliminare il caffè usato, tenere il filtro bloccato premendolo con l'apposita levetta incorporata nell'impugnatura e far uscire il caffè battendo il portafiltro capovolto (fig. 13).
9. Per spegnere la macchina da caffè, premere il tasto acceso/spento (fig. 4).

La prima volta che si usa la macchina, è necessario lavare tutti gli accessori ed i circuiti interni facendo almeno cinque caffè senza utilizzare il caffè macinato.

COME PREPARARE L'ESPRESSO UTILIZZANDO LE CIALDE

1. Eseguire il preriscaldamento della macchina come descritto nel paragrafo "PRERISCALDAMENTO DEL GRUPPO CAFFÈ", assicurandosi di lasciare il portafiltro agganciato alla macchina. Così facendo si ottiene il caffè più caldo.



Nota Bene: utilizzare cialde che rispettano lo standard ESE: quest'ultimo è riportato sulle confezioni con il seguente marchio.



Lo standard ESE è un sistema accettato dai più grandi produttori di cialde e permette di preparare un caffè espresso in modo semplice e pulito.

2. Inserire il filtro piccolo nel portafiltro, assicurandosi che la bugna sia correttamente inserita nell'apposita sede come indicato in fig. 8.
3. Inserire la cialda centrandola il più possibile sopra il filtro (fig. 14). Seguire sempre le istruzioni sulla confezione delle cialde per posizionare correttamente la cialda sul filtro.
4. Agganciare il portafiltro alla macchina, ruotandolo sempre fino in fondo (fig. 5).
5. Procedere come nei punti 5, 6 e 7 del paragrafo precedente.

COME OPERARE PER FARE IL CAPPUCCINO

1. Preparare i caffè espresso come descritto nei paragrafi precedenti, utilizzando tazze sufficientemente grandi.
2. Premere il tasto vapore (fig. 15).
3. Nel frattempo, riempire un recipiente con circa 100 grammi di latte per ogni cappuccino che si vuole preparare. Il latte deve essere freddo di frigorifero (non caldo!). Nella scelta delle dimensioni del recipiente tenere conto che il volume del latte aumenterà di 2 o 3 volte.



Nota Bene: si consiglia di utilizzare latte parzialmente scremato e a temperatura di frigorifero.

4. Posizionare il recipiente con il latte sotto il cappuccinatore.
5. Attendere l'accensione della lampada spia relativa al tasto vapore (fig. 16). L'accensione della lampada indica che la caldaia ha raggiunto la temperatura ideale per la produzione di vapore.
6. Aprire il rubinetto vapore per qualche secondo per spurgare l'eventuale presenza di acqua nel circuito stesso. Richiudere il rubinetto.
7. Immergere il cappuccinatore nel latte per alcuni millimetri (fig. 17) facendo attenzione a non immergere la linea in rilievo sul cappuccinatore stesso (indicato dalla freccia di fig. 17). Ruotare la manopola in senso antiorario, fig. 18 per almeno mezzo giro. Dal cappuccinatore esce il vapore che fa assumere un aspetto cremoso al latte e ne aumenterà il volume. Per ottenere una schiuma più cremosa, immergere il cappuccinatore nel latte e far ruotare il contenitore con lenti movimenti dal basso verso l'alto.

- Quando il volume del latte sarà raddoppiato, immergere il cappuccinatore in profondità e continuare a riscaldare il latte. Raggiunta la temperatura (il valore ideale è di 60°C) e la densità di crema desiderata, interrompere l'erogazione del vapore ruotando la manopola vapore in senso orario e ripremere il tasto vapore.

Per spegnere la macchina, premere il tasto acceso/spento (fig. 4) (Si spegne la relativa spia di accensione).

- Versare il latte emulsionato nelle tazze contenenti il caffè espresso preparato in precedenza. Il cappuccino è pronto: zuccherare a piacere, e se si desidera, cospargere la schiuma con un po' di cioccolato in polvere.



Nota Bene:

- se si devono preparare più cappuccini, bisogna fare prima tutti i caffè e solo alla fine preparare il latte montato per tutti i cappuccini;
- se si desidera rifare il caffè dopo aver montato il latte, bisogna prima raffreddare la caldaia altrimenti il caffè fuoriesce bruciato.

Per raffreddarla posizionare un contenitore sotto i beccucci del portafiltro (fig. 11), premere il tasto vapore e far fuoriuscire l'acqua finché si spegne la spia relativa alla funzione vapore: procedere quindi con la preparazione del caffè.

Si consiglia un'erogazione di vapore massima di 60 secondi e di non montare il latte per più di 3 volte consecutive.



Attenzione: per motivi di igiene si raccomanda di pulire sempre il cappuccinatore dopo l'uso.

Procedere nel seguente modo:

- Far defluire un po' di vapore per qualche secondo (punti 2, 5 e 6 del paragrafo precedente) ruotando la manopola vapore (fig. 18). Con questa operazione, il cappuccinatore scarica l'eventuale latte che può essere rimasto al suo interno. Spegnere l'apparecchio premendo il tasto acceso/spento.
- Con una mano, tenere fermo il tubo cappuccinatore e con l'altra, sbloccare il cappuccinatore stesso ruotandolo in senso orario e poi sfilarlo verso il basso (fig. 19).
- Togliere l'ugello vapore dal tubo erogazione tirandolo verso il basso (fig. 20).
- Lavare accuratamente il cappuccinatore e l'ugello vapore con acqua tiepida.
- Controllare che i due fori indicati dalle frecce in fig. 21 non siano otturati. Se necessario pulirli con l'aiuto di uno spillo.
- Rimontare l'ugello vapore inserendolo con forza verso l'alto sul tubo vapore.
- Rimontare il cappuccinatore infilandolo verso l'alto e ruotandolo in senso antiorario.

PRODUZIONE DI ACQUA CALDA

- Accendere la macchina premendo il tasto acceso/spento (fig. 4). Attendere che la spia OK si accenda (fig. 6).
- Posizionare un recipiente sotto il cappuccinatore.
- Premere il tasto erogazione (fig. 7) e contemporaneamente ruotare la manopola vapore in senso antiorario (fig. 18): l'acqua calda uscirà dal cappuccinatore.
- Per interrompere la fuoriuscita di acqua calda, ruotare in senso orario la manopola vapore e premere nuovamente il tasto erogazione (fig. 7).
Si consiglia un'erogazione massima di 60 secondi.

PULIZIA



Pericolo! Prima di qualsiasi operazione di pulizia delle parti esterne dell'apparecchio, spegnere la macchina, staccare la spina dalla presa di corrente e lasciar raffreddare la macchina.

Pulizia e manutenzione del filtro

Ogni 300 caffè circa e comunque quando il caffè esce dal portafiltro a gocce o non esce del tutto, pulire il portafiltro ed i filtri per il caffè macinato nel seguente modo:

- Togliere il filtro dal portafiltro.
- Svitare il tappo del filtro (fig. 22) nel verso indicato dalla freccia sul tappo stesso.
- Sfilare il dispositivo montacrema dal contenitore spingendolo dalla parte del tappo.
- Togliere la guarnizione.
- Risciacquare tutti i componenti e pulire accuratamente il filtro metallico con acqua calda strofinando con uno spazzolino (fig. 23). Controllare che i forellini del filtro metallico non siano ostruiti altrimenti pulirli con l'aiuto di uno spillo (vedi fig. 24).
- Rimontare il filtro e la guarnizione sul disco in plastica come indicato in figura 25. Fare attenzione ad inserire il piolo del disco in plastica dentro il foro della guarnizione indicato dalla freccia in fig. 25.
- Reinserire l'assieme ottenuto nel contenitore in acciaio per il filtro (fig. 26), assicurandosi che il piolo sia inserito nel foro del supporto stesso (vedere freccia fig. 26).
- Infine avvitare il tappo.

La garanzia non è valida se la pulizia sopra descritta non è regolarmente eseguita.

Pulizia della doccia caldaia

Ogni 300 caffè circa, è necessario pulire la doccia della caldaia espresso nel seguente modo:

- Assicurarsi che la macchina da caffè non sia calda e la spina sia disinserita;
- Con l'aiuto di un cacciavite, svitare la vite che fissa la doccia della caldaia espresso (fig. 27);
- Togliere la doccia caldaia;
- Pulire con un panno umido la caldaia (fig. 27);

- Pulire la doccia accuratamente con acqua calda strofinando con uno spazzolino. Controllare che i forellini non siano ostruiti, altrimenti pulirli con l'aiuto di uno spillo (fig. 24).
- Risciacquare la doccia sotto il rubinetto strofinandola sempre.
- Rimontare la doccia della caldaia facendo attenzione a posizionarla correttamente sulla guarnizione.

La garanzia non è valida se la pulizia sopra descritta non è regolarmente eseguita.

Altre pulizie

1. Per la pulizia della macchina non usare solventi o detergenti abrasivi. Sarà sufficiente un panno umido e morbido.
2. Pulire regolarmente la coppetta porta-filtro, i filtri, la vaschetta raccogliocce e il serbatoio dell'acqua.
Per effettuare lo svuotamento della vaschetta raccogliocce, rimuovere la griglia poggiategge, eliminare l'acqua e pulire con un panno la vaschetta: quindi riassemblare il vassoio raccogliocce.
Pulire il serbatoio acqua con l'aiuto di uno scovolino morbido per raggiungere meglio il fondo.



Pericolo! Durante la pulizia, non immergere mai la macchina nell'acqua: è un apparecchio elettrico.

DECALCIFICAZIONE

E' consigliabile procedere ad una decalcificazione della macchina ogni 200 caffè circa . Si consiglia di utilizzare il decalcificante De'Longhi che si trova in commercio.

Seguire la seguente procedura:

1. Riempire il serbatoio con la soluzione decalcificante, ottenuta diluendo con acqua il decalcificante in base alle indicazioni riportate sulla confezione.
2. Premere il tasto acceso/spento e attendere l'accensione della lampada spia OK.
3. Assicurarsi che il portafiltro non sia agganciato e posizionare un recipiente sotto la doccia della macchina.
4. Premere l'interruttore erogazione caffè, e far defluire circa 1/4 di soluzione contenuta nel serbatoio: di tanto in tanto, ruotare la manopola vapore e far uscire un po' di soluzione; quindi interrompere ripremendo l'interruttore e lasciar agire la soluzione per circa 5 minuti.
5. Ripetere il punto 4 per altre 3 volte, fino a svuotare completamente il serbatoio.
6. Per eliminare i residui della soluzione e di calcare, risciacquare bene il serbatoio, riempirlo con acqua pulita (senza decalcificante).
7. Premere il tasto erogazione caffè (fig. 6) e far erogare finché il serbatoio sia completamente vuoto;
8. Ripetere le operazioni 6 e 7 un'altra volta.

PROBLEMA	CAUSE POSSIBILI	SOLUZIONE
Non esce più il caffè espresso	• Mancanza di acqua nel serbatoio	• Riempire il serbatoio acqua
	• I fori di uscita caffè del portafiltro sono otturati	• Pulire i fori dei beccucci del portafiltro
	• La doccia della caldaia espresso è ostruita	• Eseguire la pulizia come indicato nel paragrafo "Pulizia della doccia caldaia"
Il caffè espresso gocciola dai bordi del portafiltro anziché dai fori	• Il portafiltro è male inserito	• Agganciare il portafiltro correttamente e ruotarlo fino in fondo con forza
	• La guarnizione della caldaia espresso ha perso elasticità	• Sostituire la guarnizione della caldaia espresso presso un Centro di Assistenza
	• I fori dei beccucci del portafiltro sono otturati	• Pulire i fori dei beccucci.
Il caffè espresso è freddo	• La lampada spia OK espresso non è accesa nell'istante in cui si preme l'interruttore erogazione caffè	• Attendere l'accensione della lampada spia OK
	• Il pre-riscaldamento non è stato eseguito	• Eseguire il pre-riscaldamento come indicato nel paragrafo
	• Le tazzine non sono state preriscaldate	• Pre-riscaldare le tazzine con dell'acqua calda oppure lasciandole appoggiate per almeno 20 minuti sul ripiano scaldato sul coperchio
Rumore elevato della pompa	• Il serbatoio acqua è vuoto	• Riempire il serbatoio
	• Il serbatoio è mal inserito e la valvola sul suo fondo non è aperta	• Premere leggermente il serbatoio in modo da aprire la valvola sul suo fondo
La crema del caffè è chiara (scende velocemente dal beccuccio)	• Il caffè macinato è poco pressato	• Aumentare la pressatura del caffè macinato (fig. 10)
	• La quantità di caffè macinato è scarsa	• Aumentare la quantità di caffè macinato
	• La macinatura del caffè è grossa	• Utilizzare solo caffè macinato per macchine da caffè espresso
	• Qualità di caffè macinato non è di tipo corretto	• Cambiare la qualità di caffè macinato
La crema del caffè è scura (il caffè scende lentamente dal beccuccio)	• Il caffè macinato è pressato troppo	• Pressare meno il caffè (fig. 6)
	• La quantità di caffè macinato è elevata	• Diminuire la quantità di caffè macinato
	• La doccia caldaia espresso è ostruita	• Eseguire la pulizia come indicato nel capitolo "Pulizia della doccia caldaia espresso".
	• Il filtro è otturato	• Eseguire la pulizia come indicato al par. "pulizia del filtro"
	• La macinatura del caffè è troppo fine	• Utilizzare solo caffè macinato per macchine da caffè espresso
	• Il caffè macinato è troppo fine oppure è umido	• Utilizzare solo caffè macinato per macchine da caffè espresso e non deve essere troppo umido
	• Qualità di caffè macinato non è di tipo corretto	• Cambiare qualità di polvere di caffè macinato
Non si forma la schiuma del latte mentre si fa il cappuccino	• Il latte non è abbastanza freddo	• Usare sempre latte alla temperatura di frigorifero
	• Il cappuccinatore è sporco	• Pulire accuratamente i forellini del cappuccinatore, in particolare quelli indicati in figura 21

Questa garanzia è applicabile a tutti i piccoli elettrodomestici a marchio Kenwood o De'Longhi.

GARANZIA LIMITATA

Copertura della garanzia

De'Longhi garantisce che ciascun prodotto è esente da difetti di materiale e di fabbricazione. La presente garanzia è limitata alla riparazione delle parti difettose o delle loro componenti presso la nostra fabbrica o presso un centro di assistenza autorizzato, ad eccezione delle parti danneggiate durante la spedizione. Nel caso di sostituzione o restituzione di un prodotto, l'unità deve essere restituita con trasporto prepagato. Il modello riparato o nuovo verrà restituito a spese dell'azienda.

La presente garanzia ha validità solamente nel caso in cui il prodotto venga utilizzato in conformità con le istruzioni di fabbrica con cui viene venduto, e su un circuito a corrente alternata (c.a.).

Durata della garanzia

La presente garanzia ha validità di un anno (1) dalla data di acquisto riportata sulla prova d'acquisto ed è riconosciuta esclusivamente all'acquirente originale per l'uso.

Limitazioni della garanzia

La garanzia non copre difetti o danni del prodotto dovuti a riparazioni o alterazioni eseguite al di fuori della fabbrica o dai centri di assistenza autorizzati, né si applica a prodotti danneggiati da abuso, uso improprio, negligenza o incidente. Inoltre, i danni consequenziali ed incidentali derivanti dall'uso di questo prodotto o da una qualsiasi violazione del contratto o di questa garanzia non sono coperti da quest'ultima. Alcune giurisdizioni non consentono l'esclusione o la limitazione di danni incidentali o consequenziali; in tal caso, le limitazioni o esclusioni di cui sopra non saranno applicabili

Come ottenere servizi di assistenza

Nel caso occorra fare delle riparazioni, rivolgersi al servizio informazioni:

Residenti negli USA: Contattare il servizio di assistenza telefonica gratuito al numero 1-800-322-3848 oppure collegarsi all'indirizzo internet www.delonghi.com. Per tutti gli accessori, i componenti o i pezzi di ricambio, contattare il reparto componenti al numero 1-800-865-6330.

Residenti in Canada: Contattare il servizio di assistenza telefonica gratuito al numero 1-888-335-6644 oppure collegarsi all'indirizzo internet www.delonghi.com.

Residenti in Messico: Riferirsi alle condizioni di garanzia limitata riportate nella sezione per il Messico.

Residenti in altri paesi: Vogliate visitare il nostro sito internet www.delonghi.com.

Per gli indirizzi di De'Longhi si prega di vedere la pagina posteriore del manuale.

La garanzia sopra riportata è esclusiva e sostituisce qualsiasi altra garanzia, espressa o implicita. Eventuali garanzie implicite previste dalle leggi vigenti saranno soggette ai limiti di durata stabiliti dalla garanzia. Il limite non si applica nel caso di un'estensione della garanzia con De'Longhi. Alcune giurisdizioni non consentono l'esclusione o la limitazione della durata delle garanzie implicite; in tal caso, le limitazioni di cui sopra non saranno applicabili. De'Longhi non autorizza alcuna persona o società ad assumersi qualsiasi responsabilità relativamente alla vendita o all'uso dei propri prodotti.

Applicazione delle leggi dei singoli stati

La presente garanzia concede diritti legali specifici oltre a quelli eventualmente previsti dalla legislazione vigente nei vari stati.