

PYLE

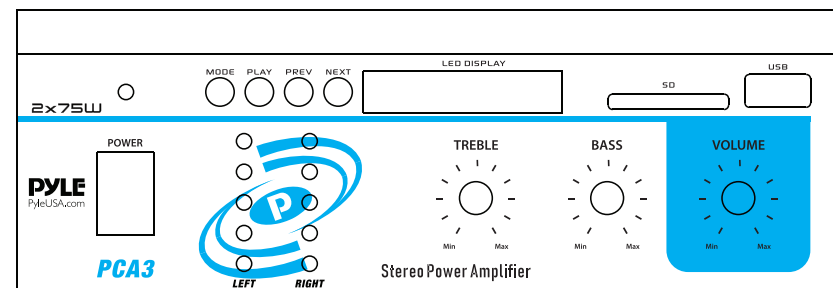
PyleUSA.com



VISIT US ONLINE:
Have a question?
Need service or repair?
Want to leave a comment?
PyleUSA.com/ContactUs

PYLE

Questions? Issues?
We are here to help!
Phone: (1) 718-535-1800
Email: support@pyleusa.com



PCA3

Stereo Power Speaker Amplifier
with USB/SD/Wireless BT/FM
Compact Audio Control Amp System,
RCA Input, 150-Watt Max

FOREWORD

Your New Pyle Amplifier gives you the power and versatility you need in a professional sound system. The amplifier's wide frequency response makes it suitable for amplifying music or vocal program material. PCA3 is compatible with walkman and computer devices and gadgets (MP3) via 3.5mm to RCA converter.

Please read this manual thoroughly before you attempt to set up and use the amplifier. It contains a range of installation suggestions as well as instructions to ensure safe usage.

Installed properly, you can expect years of trouble-free service from this product.

WARNING: To reduce the risk of fire or shock hazard, do not expose this product to rain or moisture.



CAUTION
RISK OF ELECTRIC SHOCK
DO NOT OPEN



CAUTION: To reduce the risk of electric shock, do not remove cover or back. No user-serviceable parts inside. Refer servicing to qualified personnel.



This symbol is intended to alert the user to the presence of uninsulated dangerous voltage within the product's enclosure, it may have sufficient magnitude to constitute a risk of electric shock to persons.



This symbol is intended to alert the user to the presence of important operating and maintenance (servicing) instructions in the literature accompanying the appliance.

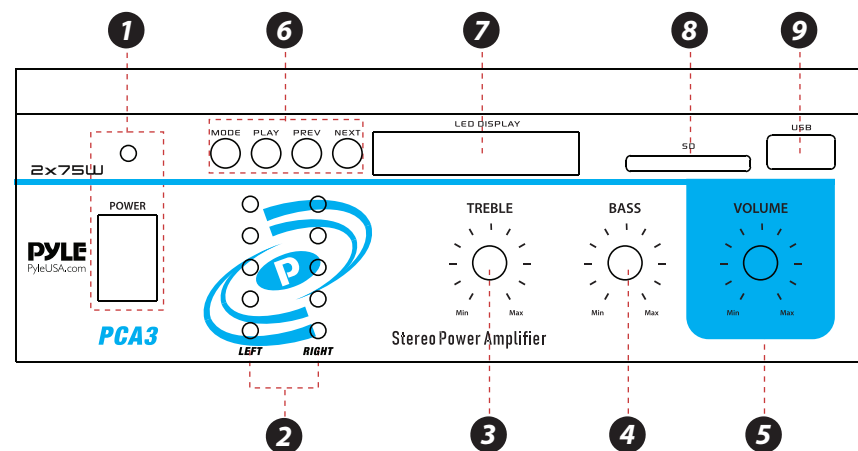


WARNING:

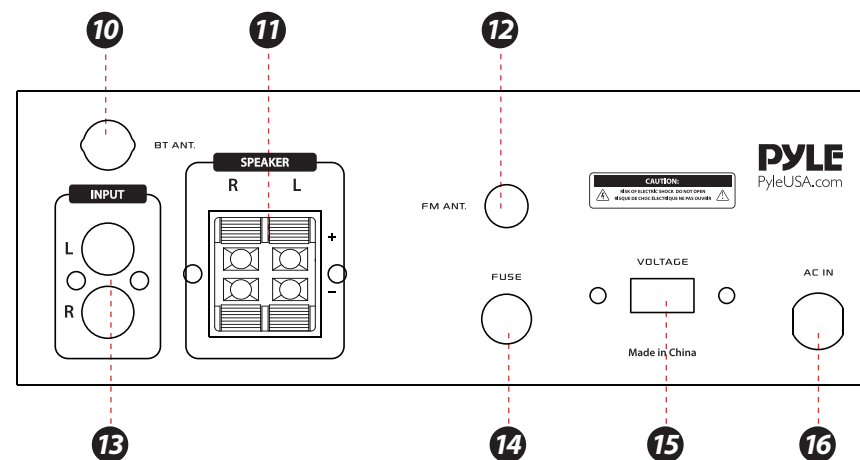
This product can expose you to a chemical or group of chemicals, which may include "Nickel Carbonate" which is known in the state of California to cause cancer, birth defects, or other reproductive harm. For more info, go to <https://www.p65warnings.ca.gov/>.

FEATURES AND CONTROLS

FRONT PANEL



BACK PANEL



- 1. Power On/Off and LED Indicator:** Main power switch, the indicator lights when the amplifier is turned on
- 2. BLUE LED Output Level Display**
- 3. Treble Tone Control:** Lets you boost or attenuate treble, for the desired sound
- 4. Bass Tone Control:** Lets you boost or attenuate bass, for the desired sound
- 5. Master Volume Control:** Lets you adjust the overall sound level

6. **MODE, PLAY, PREV and NEXT Function Control buttons:**

- **MODE Button:** For audio selection like **WIRELESS BT/SD/LINE IN**
- **PLAY/PAUSE BUTTON:** Play and Pause control button
- **PREV/NEXT:** Quick backward or next song

7. **LED Display:** Displays the output level and selected input

8. **SD Card Input**

9. **USB Flash Drive Input**

10. **Wireless BT Antenna:** Wireless BT Streaming receiver

11. **Push Type Speaker L/R Terminals:** Lets you easily connect speaker wires directly to the Amplifier.

12. **FM ANTENNA CONNECTOR:** Connection for AM and FM antennas.

13. **RCA L/R LINE Input:** Lets you connect the desired LINE input source

14. **Fuse:** The amplifier uses fuse for protection against surges and short circuit. If the amplifier suddenly turns off and will not turn on, check the fuse. If necessary, replace it with a 1-amp, 250-volt, fast-acting, 5x20mm fuse (not supplied).

15. **Voltage Selector:** Select the voltage of AC power input source.

The amplifier has selectable input voltage from 110V/60Hz which is the standard in USA and CANADA. You can also switch the input voltage to 230V/50Hz for EUROPEAN operation. Please make sure the switch is in the proper position before operating otherwise severe damage will result which is not covered by the warranty. Please also replace the fuse with proper rating in this situation.

16. **AC IN Power Cord**

WIRELESS BT STREAMING OPERATION INSTRUCTION

External devices which have a built-in BT feature can be connected to this amplifier wirelessly to play through the amplifier's speakers. If your amp is connected to speakers, you will hear audible tones which will help for connecting.

1. At first be sure that the amplifier is powered **ON**, and turn the volume to low. Pull out the BT Antenna at the back panel for better receiving signal. Press MODE button on the front panel then the BT Indicator light will be lit. (The unit is automatically ready to pair with your device)
2. Turn **ON** the Wireless BT function of your external device.
3. Search for available devices within range of your external Wireless BT device.

4. Wait for a while then find the "PYLEUSA" on the paired devices list on your external device and select "PYLEUSA", or find the "BT" on the paired devices list on your external device and select "BT".
5. Your amplifier will beep and the lights will flash once when pairing is successful.
6. You can now play music and other audio on your external device through your amplifier.
7. The amplifier will beep and the lights will flash once again when the external device is turned off or unpaired.

Care and Maintenance

Your Pyle Pro Amplifier is an example of superior design and craftsmanship.

The following suggestions will help you care for your amplifier so you can enjoy years of use:

- Keep the amplifier dry. If it gets wet, wipe immediately.
- Use the amplifier only in well-ventilated installations.
- Handle the amplifier gently and carefully - do not drop!
- Keep the amplifier away from dust and dirt.
- Wipe occasionally with a damp cloth to keep it looking new.
- Do not use harsh chemicals, solvents or detergents!

IMPORTANT

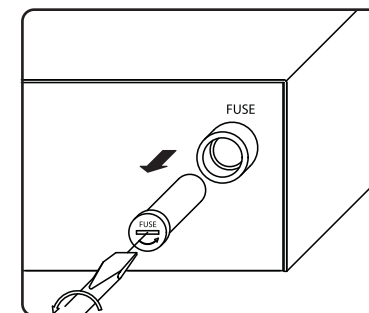
Replacing a fuse

This amplifier requires fuse with the proper rating for protection from power surges and short circuits. If the amplifier suddenly turns off or would not turn on, the fuse is properly blown.

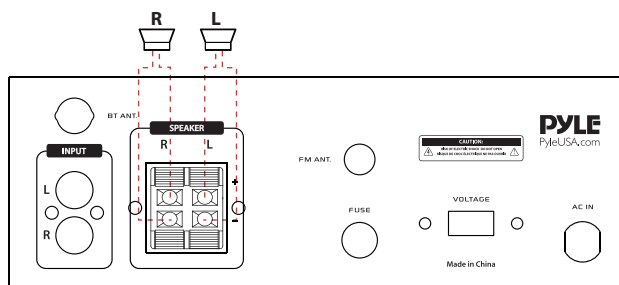
- Let the amplifier cool down and see if it starts again before you assume a fuse needs to be replaced.
- Unplug the amplifier from the AC outlet.
- Turn the fuse holder cap and pull out the cap.
- Remove the old fuse and replace it with an identical one.

CAUTION: Never use a fuse with a higher rating

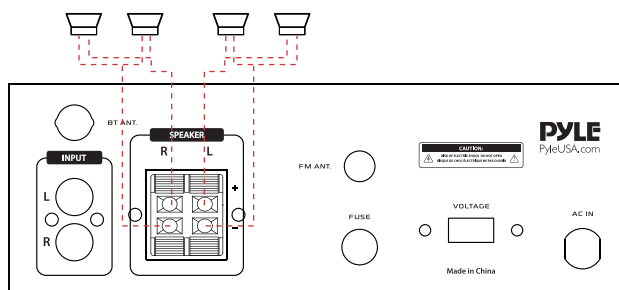
Connecting two 4-8 ohm speakers in stereo mode



Connecting two 4-8 ohm speakers in stereo mode.



Connecting four 8 ohm speakers in stereo mode.



TROUBLESHOOTING

NO POWER	The fuse might be blown	Check the amplifier's fuse and replace it if necessary.
NO SOUND	Sound source or speakers may not be connected properly	Check all connections properly
	Master volume control may be set to a minimum	Adjust the volume control to a higher setting
	The speaker's wire might have the wrong impedance	Make sure that the speakers that you have connected to the amp are matching in impedance
	The amplifier is shutting down or powering off	Turn the amplifier off and let it cool, make sure that the amplifier is properly ventilated, and then turn it back on

Features:

- Compact and Powerful Mini Amp System
- Connect & Stream Audio from External Devices
- USB/SD/FM playing
- Wireless BT Streaming
- RCA Jack Input
- Push Type Speaker Outputs
- Blue LED Output Level Display
- Power On/Off Switch and LED Indicator
- Treble, Bass and Master Volume Controls
- Compatible With Audio/Computerize Devices (MP3 Players) Via 3.5mm To RCA Converter
- Includes FM Antenna to Improve FM Sensitivity

Wireless BT Connectivity:

- Simple & Hassle-Free Pairing Ability
- Works with All of Today's Latest Wireless BT Devices (Smartphones, Tablets, Laptops, computers, etc.)
- Wireless BT Version: 5.0
- Wireless BT Network Name: 'PYLEUSA'
- Wireless Range: Up to 40' ft.

What's in the Box:

- Stereo Amplifier System
- Remote Control
- FM Antenna

Technical Specs:

- Power Output: 2 x 75 Watt MAX Power
- Impedance: 15W, 10% RMS @ 8-Ohm
- Signal-to-Noise Ratio: 75dB
- Frequency Response: 20Hz - 20kHz
- Input Sensitivity: 350mV
- T.H.D.: 0.1%
- Signal-to-Noise Ratio: 75dB
- Tone Controls: Bass & Treble: +/-10dB (100Hz/10kHz)
- Fuse: 1.5 A, 250V Fast-Acting (5 x 20mm)
- Power Cable Length: 4.9' ft.
- Power: 120/240V Voltage Selector, 50/60Hz
- Dimensions (W x H x D): 7.48" x 2.87" x 5.39" -inches