

HEATED FOOT WARMER

Product Instructions

Product No. 2000281

vonhaus

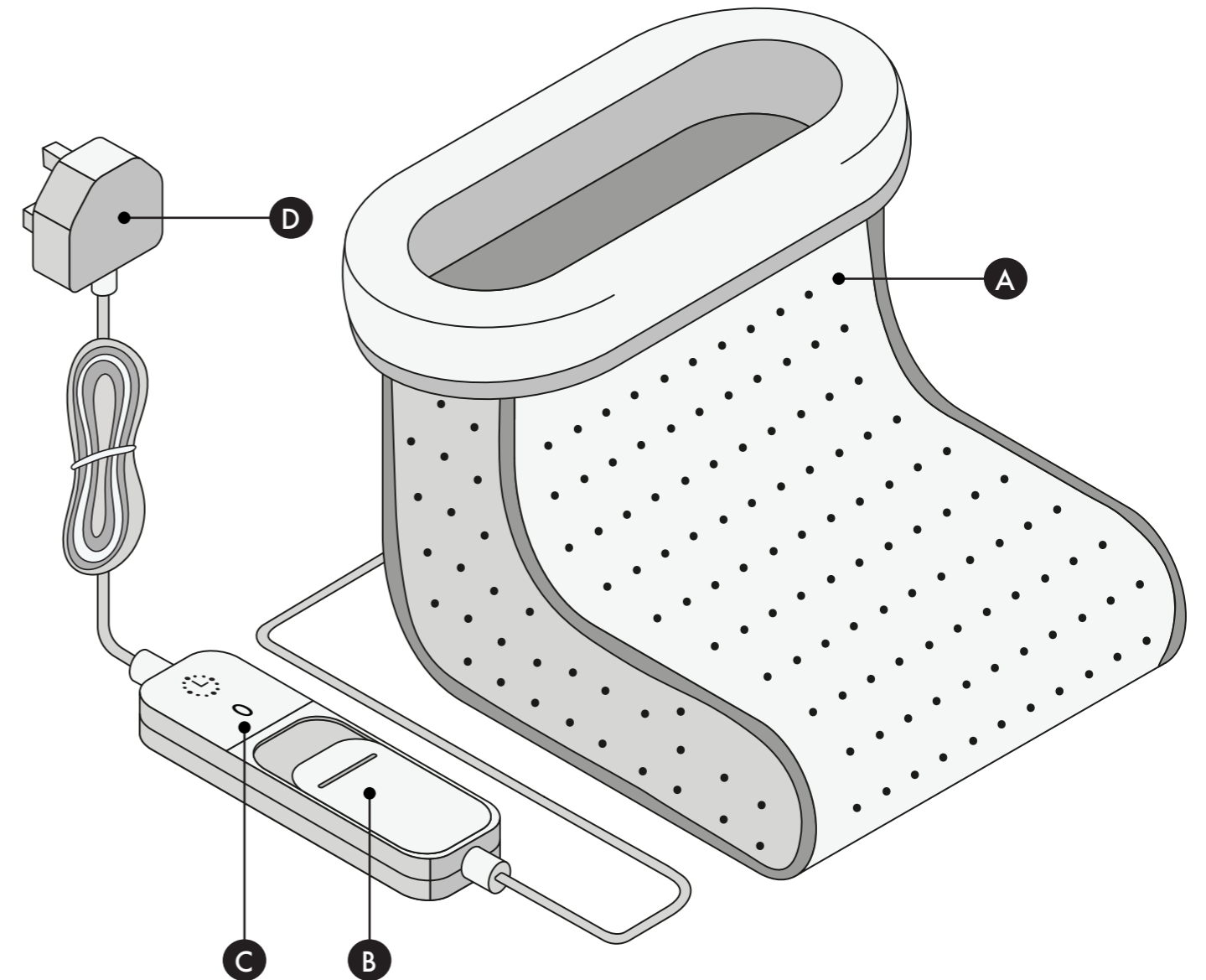
Let's get started!

Visit our product hub for useful tips and tricks on getting the most out of your new product.

SCAN ME



Product Diagram



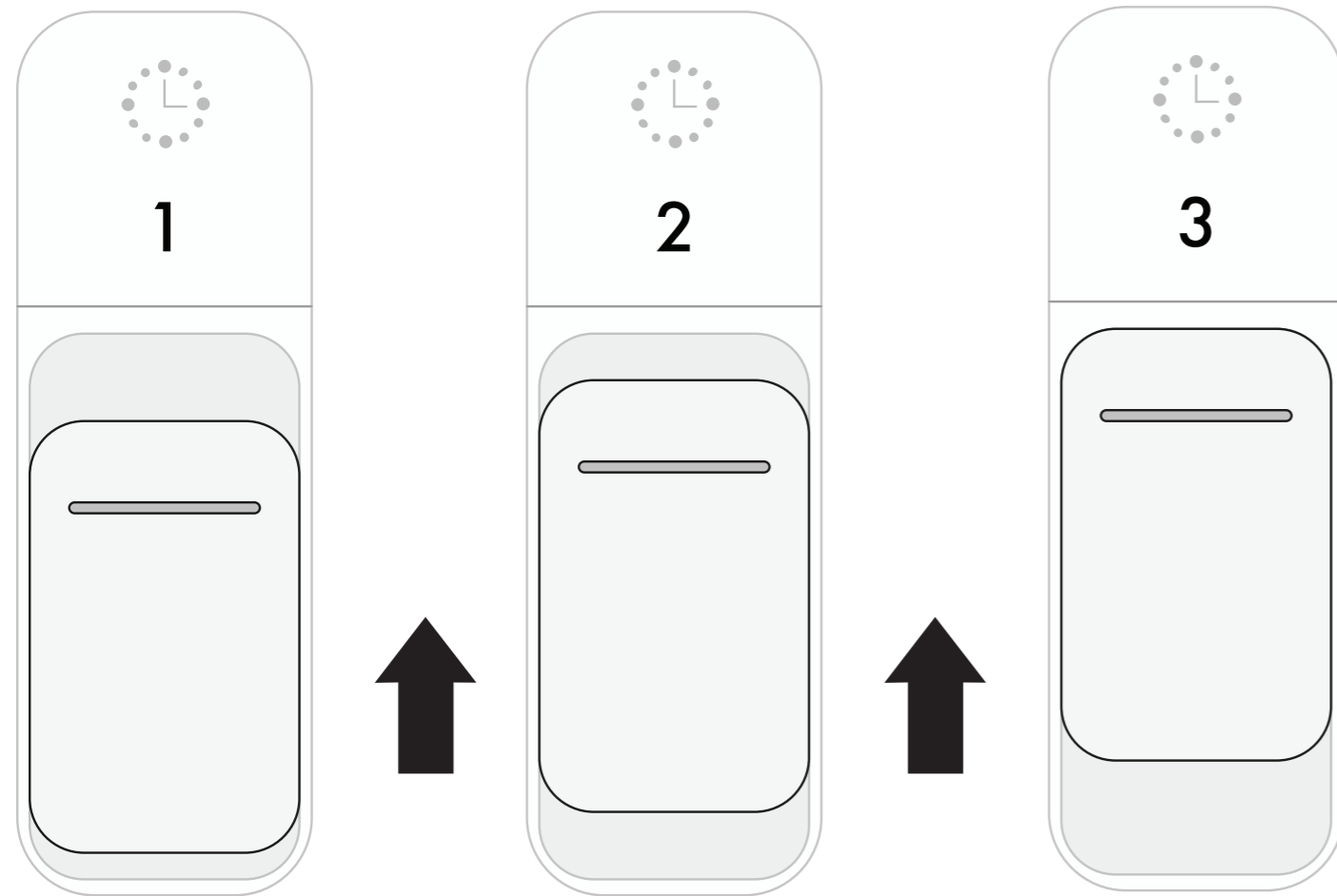
A. Foot Warmer
B. Controller

C. Digital Display
D. Plug

Need further help?
support@vonhaus.com

See our full range at
www.vonhaus.com

Operation



How to Use

1. Plug in the foot warmer and slide the switch from 0 to 1. The light will come on.
2. Wait a few minutes for it to warm up.
3. For more heat:
 - Move switch to 2 for medium heat
 - Move switch to 3 for hottest setting
4. If too hot, move switch back to 1 or 2. It will cool down quickly.
5. To turn off, move switch to 0. The light will go off.
6. The foot warmer turns off by itself after 90 minutes. To restart, move switch to 0, then to your chosen setting.
7. Always unplug when finished.

Usage & Safety



Please read all instructions carefully before use and retain for future reference.



Do not use outdoors.



Unsuitable for children under 3.



Do not iron.



Do not wring dry.



Do not use folded or tucked.



Do not dry clean.



Do not bleach.



Do not pierce or use sharp objects near the blanket.



Do not tumble dry.



Do not wash above
30°C / 86°F

Usage & Safety

General Safety

- Check the appliance regularly for damage or wear. If you find any, or if the appliance has been misused or isn't working properly, please contact support@vonhaus.com
- This appliance must not be used when wet. Only use in dry environments (not in bathrooms or similar places).
- Do not use if the power cord is damaged.
- This foot warmer is for home use only.

Usage Instructions

- Remove outdoor shoes before use.
- The foot warmer must only be used with the supplied control unit.
- Set the selector switch to position 1 before falling asleep or for any continuous use.
- Using the foot warmer at high settings for long periods could cause skin burns.
- Do not use this appliance to warm animals.
- Children must not use this appliance.

Care and Maintenance

Before cleaning:

- Unplug the foot warmer
- Let it cool for at least 10 minutes

Remove:

- Detach the cable by disconnecting the plug
- Take the controller off the foot warmer
- Take the cover off the foot warmer

Washing:

- Machine wash at 30°C on gentle cycle
- Hand washing is better to make it last longer
- Rinse well to remove all soap

Drying:

- Do not use a hair dryer
- Let it dry naturally

Storage:

- Store flat in a clean, dry place
- Don't put anything on top of it

Important:

- Only use the foot warmer when completely dry
- Never wash the controller - only the foot warmer and cover can be washed

Technical Specifications

- Rated Voltage: 220-240V
- Rated Power: 100W
- Rated Frequency: 50/60Hz
- Off Mode Consumption: 0.205W

Legal

Disposal Information

Please recycle where facilities exist. Check with your local authority for recycling advice.

Customer Service

If you are having difficulty using this product and require support, please contact support@vonhaus.com

Warranty

To register your product and find out if you qualify for a free extended warranty please go to www.vonhaus.com/warranty

Please retain a proof of purchase receipt or statement as proof of the purchase date.

The warranty only applies if the product is used solely in the manner indicated in the warnings page of this manual, and all other instructions have been followed accurately.

Any abuse of the product or the manner in which it is used will invalidate the warranty.

Returns

Returned goods will not be accepted unless re-packaged in its original packaging and accompanied by a relevant and completed returns form. This does not affect your statutory rights.

No rights are given under this warranty to a person acquiring the appliance second-hand or for commercial or communal use.

Copyright

All material in this instruction manual are copyrighted by DOMU Brands.

Any unauthorised use may violate worldwide copyright, trademark, and other laws.

Thank You

Thank you for purchasing your product/appliance.

Should you require assistance with your purchase, please contact us at support@vonhaus.com

VonHaus is a registered trademark of DOMU Brands Ltd.

Made in China for DOMU Brands Ltd.
Unit 30, Stakehill Industrial Estate
Middleton, Manchester, M24 2RW

EU Authorised Representative

Authorised Representative Service
77 Camden Street Lower
Dublin, D02 XE80
Ireland

Let's get started!

Visit our product hub for useful tips and tricks on getting the most out of your new product.

SCAN ME

