

# **VEVOR<sup>®</sup>**

**TOUGH TOOLS, HALF PRICE**

Technical Support and E-Warranty Certificate [www.vevor.com/support](http://www.vevor.com/support)

## **Dinning Chair Cover**

### **USER MANUAL**

**MODEL: RD-VV-24,RD-VV-25**

We continue to be committed to provide you tools with competitive price.

"Save Half", "Half Price" or any other similar expressions used by us only represents an estimate of savings you might benefit from buying certain tools with us compared to the major top brands and does not necessarily mean to cover all categories of tools offered by us. You are kindly reminded to verify carefully when you are placing an order with us if you are actually saving half in comparison with the top major brands.

# VEVOR®

TOUGH TOOLS, HALF PRICE

## Dinning Chair

MODEL: RD-VV-24,RD-VV-25



Thanks for purchasing one of our products, please read carefully the assembly instructions before the installation.

### NEED HELP? CONTACT US!

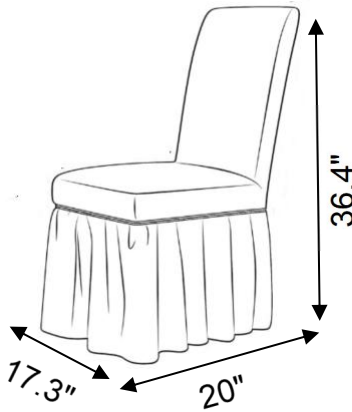
Have product questions? Need technical support? Please feel free to contact us:

**Technical Support and E-Warranty Certificate**  
**[www.vevor.com/support](http://www.vevor.com/support)**

This is the original instruction, please read all manual instructions carefully before operating. VEVOR reserves a clear interpretation of our user manual. The appearance of the product shall be subject to the product you received. Please forgive us that we won't inform you again if there are any technology or software updates on our product.

# PRODUCT PARAMETERS

<b>Product Name:</b>	Dinning Chair Cover
<b>Product Material:</b>	Polyesterfiber95%Spandex5%
<b>Product Color:</b>	White,Black
<b>Model:</b>	RD-VV-24,RD-VV-25
<b>Fits for the chair size</b>	17.3"x20"x36.4" (440x510x925 mm)
<b>Product Quantity:</b>	4pcs/box



## ASSEMBLY PRECAUTIONS

1. Please read this manual carefully before using the product.
2. Do not assemble when tired or under the influence of alcohol, drugs or medication.

## USE PRECAUTIONS



### WARNING:

1. This product is not a toy. Do not allow children to play with or approach this item.
2. Use as intended only.

3. Do not pull violently when using it.
4. Before use, measure whether the size of the chair is within the scope of the product description.
5. Flammable: Keep away from open flame. This product will ignite and burn if brought into contact with an open flame.
6. Keep away from sharp points, blades and other items, so as not to scratch the product.

## **SAVE THESE INSTRUCTIONS**

## **PRODUCT FEATURES**

1. Elastic cloth is fine workmanship, not wrinkled do not need ironing.
2. Excellent fabric, simple color.
3. Clean and durable.
4. Rubber band foot sleeve, strong wear resistance.

## **CLEANING**

- Consistent with conventional clothing cleaning methods, but not rinsing.
- Let it dry nature

# **VEVOR<sup>®</sup>**

**TOUGH TOOLS, HALF PRICE**

**Support and E-Warranty Certificate**

**[www.vevor.com/support](http://www.vevor.com/support)**

# **VEVOR<sup>®</sup>**

**TOUGH TOOLS, HALF PRICE**

Techniczny Certyfikat wsparcia i e-gwarancji [www.vevor.com/support](http://www.vevor.com/support)

## **Pokrowiec na krzesło do jadalni**

### **INSTRUKCJA OBSŁUGI**

**MODELE: RD-VV-24, RD-VV-25**

We continue to be committed to provide you tools with competitive price.

"Save Half", "Half Price" or any other similar expressions used by us only represents an estimate of savings you might benefit from buying certain tools with us compared to the major top brands and does not necessarily mean to cover all categories of tools offered by us. You are kindly reminded to verify carefully when you are placing an order with us if you are actually saving half in comparison with the top major brands.

# VEVOR®

TOUGH TOOLS, HALF PRICE

## Dinning Chair

MODELE: RD-VV-24, RD-VV-25



Dziękujemy za zakup jednego z naszych produktów, przed przystąpieniem do montażu prosimy o dokładne zapoznanie się z instrukcją montażu .

### NEED HELP? CONTACT US!

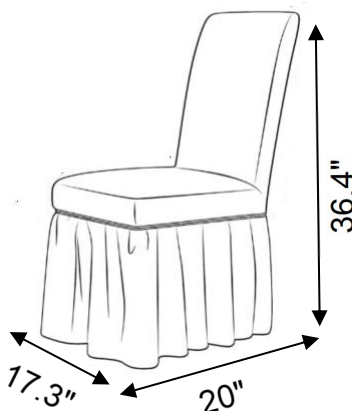
Have product questions? Need technical support? Please feel free to contact us:

**Technical Support and E-Warranty Certificate**  
**[www.vevor.com/support](http://www.vevor.com/support)**

This is the original instruction, please read all manual instructions carefully before operating. VEVOR reserves a clear interpretation of our user manual. The appearance of the product shall be subject to the product you received. Please forgive us that we won't inform you again if there are any technology or software updates on our product.

# PARAMETRY PRODUKTU

Nazwa produktu : __	Pokrowiec na krzesło do jadalni
Materiał produktu : _ _	Włókno poliestrowe95%Spandex5%
Kolor produktu : __	Biało-czarny
Model:	RD-VV-24, RD-VV-25
Pasuje do rozmiaru krzesła	17,3"x20*"x36,4" (440x510x925mm)
Ilość produktu :	4 szt./opakowanie



## ŚRODKI OSTROŻNOŚCI PRZY MONTAŻU

1. Przed użyciem produktu prosimy o dokładne zapoznanie się z niniejszą instrukcją.
2. Nie montuj, gdy jesteś zmęczony lub pod wpływem alkoholu, narkotyków lub leków.

## STOSOWAĆ ŚRODKI OSTROŻNOŚCI



### OSTRZEŻENIE:

1. Ten produkt nie jest zabawką. Nie pozwalaj dzieciom bawić się tym

- przedmiotem ani zbliżać się do niego.
2. Używaj wyłącznie zgodnie z przeznaczeniem.
  3. Nie ciągnij gwałtownie podczas używania.
  4. Przed użyciem należy zmierzyć czy rozmiar krzesła mieści się w podanym w opisie produktu.
  5. Produkt łatwopalny: Trzymać z dala od otwartego ognia. Ten produkt zapali się i spali w przypadku kontaktu z otwartym płomieniem.
  6. Trzymaj z dala od ostrych punktów, ostrzy i innych przedmiotów, aby nie zarysować produktu.

## **ZACHOWAJ TE INSTRUKCJE**

## **CECHY PRODUKTU**

1. Elastyczna tkanina jest dobrze wykonana, nie jest pomarszczona, nie wymaga prasowania.
2. Świetny materiał, prosty kolor.
3. Czyste i trwałe.
4. Gumowy rękaw na stopę, duża odporność na zużycie.

## **CZYSZCZENIE**

-Odpowiada konwencjonalnym metodom czyszczenia odzieży, ale nie wymaga płukania .

-Pozwól naturze wyschnąć

# **VEVOR<sup>®</sup>**

**TOUGH TOOLS, HALF PRICE**

**Certyfikat wsparcia i e-gwarancji**

[www.vevor.com/support](http://www.vevor.com/support)

# **VEVOR<sup>®</sup>**

**TOUGH TOOLS, HALF PRICE**

Technisch Support- und E-Garantie-Zertifikat [www.vevor.com/support](http://www.vevor.com/support)

## **Esszimmerstuhlbezug**

### **BENUTZERHANDBUCH**

**MODELL: RD-VV-24, RD-VV-25**

We continue to be committed to provide you tools with competitive price.

"Save Half", "Half Price" or any other similar expressions used by us only represents an estimate of savings you might benefit from buying certain tools with us compared to the major top brands and does not necessarily mean to cover all categories of tools offered by us. You are kindly reminded to verify carefully when you are placing an order with us if you are actually saving half in comparison with the top major brands.

# VEVOR®

TOUGH TOOLS, HALF PRICE

## Dinning Chair

MODELL: RD-VV-24, RD-VV-25



Vielen Dank für den Kauf eines unserer Produkte. Bitte lesen Sie die Montageanleitung vor der Installation sorgfältig durch .

### NEED HELP? CONTACT US!

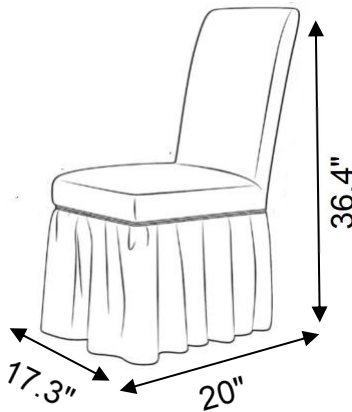
Have product questions? Need technical support? Please feel free to contact us:

**Technical Support and E-Warranty Certificate**  
**[www.vevor.com/support](http://www.vevor.com/support)**

This is the original instruction, please read all manual instructions carefully before operating. VEVOR reserves a clear interpretation of our user manual. The appearance of the product shall be subject to the product you received. Please forgive us that we won't inform you again if there are any technology or software updates on our product.

# PRODUKTPARAMETER

Produktname : _ _ _	Esszimmerstuhlbezug
Produktmaterial : _ _ _ _	Polyesterfaser 95 % Elasthan 5 %
Produktfarbe : _ _ _	Weiß schwarz
Modell:	RD-VV-24,RD-VV-25
Passt zur Stuhlgröße	17,3"x20*"x36,4" (440x510x925 mm)
Produktmenge : _	4 Stück/Karton



## VORSICHTSMASSNAHMEN BEI DER MONTAGE

1. Bitte lesen Sie dieses Handbuch sorgfältig durch, bevor Sie das Produkt verwenden.
2. Nicht aufbauen, wenn Sie müde sind oder unter dem Einfluss von Alkohol, Drogen oder Medikamenten stehen.

## VORSICHTSMASSNAHMEN VERWENDEN

## **WARNUNG:**

1. Dieses Produkt ist kein Spielzeug. Erlauben Sie Kindern nicht, mit diesem Gegenstand zu spielen oder sich ihm zu nähern.
2. Nur bestimmungsgemäß verwenden.
3. Ziehen Sie bei der Verwendung nicht gewaltsam daran.
4. Messen Sie vor dem Gebrauch, ob die Größe des Stuhls im Rahmen der Produktbeschreibung liegt.
5. Entzündlich: Von offenem Feuer fernhalten. Dieses Produkt entzündet sich und brennt, wenn es mit einer offenen Flamme in Berührung kommt.
6. Von scharfen Spitzen, Klingen und anderen Gegenständen fernhalten, um das Produkt nicht zu zerkratzen.

## **ANLEITUNG AUFBEWAHREN**

## **PRODUKTMERKMALE**

1. Das elastische Tuch ist gut verarbeitet, knittert nicht und muss nicht gebügelt werden.
2. Ausgezeichneter Stoff, schlichte Farbe.
3. Sauber und langlebig.
4. Gummiband-Fußhülse, starke Verschleißfestigkeit.

## **REINIGUNG**

- Im Einklang mit herkömmlichen Reinigungsmethoden für Kleidung, jedoch nicht mit Ausspülen .  
in der Natur trocknen

# **VEVOR<sup>®</sup>**

**TOUGH TOOLS, HALF PRICE**

**Support- und E-Garantiezertifikat**

**[www.vevor.com/support](http://www.vevor.com/support)**

# **VEVOR<sup>®</sup>**

**TOUGH TOOLS, HALF PRICE**

Technique Assistance et certificat de garantie électronique

[www.vevor.com/support](http://www.vevor.com/support)

## **Housse de chaise de salle à manger**

### **MANUEL DE L'UTILISATEUR**

**MODÈLE : RD-VV-24,RD-VV-25**

We continue to be committed to provide you tools with competitive price.

"Save Half", "Half Price" or any other similar expressions used by us only represents an estimate of savings you might benefit from buying certain tools with us compared to the major top brands and does not necessarily mean to cover all categories of tools offered by us. You are kindly reminded to verify carefully when you are placing an order with us if you are actually saving half in comparison with the top major brands.

# VEVOR®

TOUGH TOOLS, HALF PRICE

## Dinning Chair

MODÈLE : RD-VV-24,RD-VV-25



Merci d'avoir acheté l'un de nos produits, veuillez lire attentivement les instructions de montage avant l'installation .

### NEED HELP? CONTACT US!

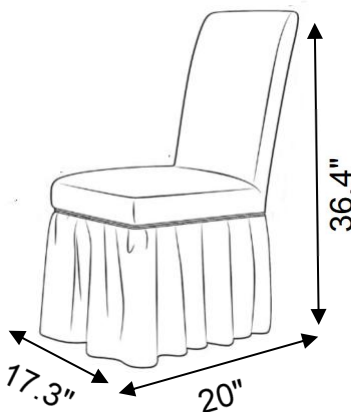
Have product questions? Need technical support? Please feel free to contact us:

**Technical Support and E-Warranty Certificate**  
**[www.vevor.com/support](http://www.vevor.com/support)**

This is the original instruction, please read all manual instructions carefully before operating. VEVOR reserves a clear interpretation of our user manual. The appearance of the product shall be subject to the product you received. Please forgive us that we won't inform you again if there are any technology or software updates on our product.

# PARAMÈTRES DU PRODUIT

Nom du produit : _	Housse de chaise de salle à manger
Matériau du produit :	Fibre de polyester95%Spandex5%
Couleur du produit : _	Blanc noir
Modèle:	RD-VV-24,RD-VV-25
Convient à la taille de la chaise	17,3"x20"x36,4" (440x510x925mm)
La quantité de produit :	4 pièces/boîte



## PRÉCAUTIONS DE MONTAGE

1. Veuillez lire attentivement ce manuel avant d'utiliser le produit.
2. Ne vous rassemblez pas lorsque vous êtes fatigué ou sous l' influence de l' alcool, de drogues ou de médicaments.

## PRÉCAUTIONS D'UTILISATION



## **AVERTISSEMENT:**

1. Ce produit n' est pas un jouet. Ne laissez pas les enfants jouer avec cet article ou s' en approcher.
2. Utiliser uniquement comme prévu.
3. Ne tirez pas violemment lorsque vous l'utilisez.
4. Avant utilisation, mesurez si la taille de la chaise correspond à la description du produit.
5. Inflammable : Tenir à l'écart des flammes nues. Ce produit s'enflammera et brûlera s'il est mis en contact avec une flamme nue.
6. Tenir à l'écart des pointes tranchantes, des lames et autres objets, afin de ne pas rayer le produit.

## **CONSERVEZ CES INSTRUCTIONS**

# **CARACTÉRISTIQUES DU PRODUIT**

1. Le tissu élastique est de bonne qualité, non froissé, pas besoin de repassage.
2. Excellent tissu, couleur simple.
3. Propre et durable.
4. Manchon de pied en caoutchouc, forte résistance à l'usure.

## **NETTOYAGE**

-Conforme aux méthodes conventionnelles de nettoyage des vêtements, mais pas de rinçage .

-Laissez sécher la nature

# **VEVOR<sup>®</sup>**

**TOUGH TOOLS, HALF PRICE**

**Assistance et certificat de garantie électronique**

**[www.vevor.com/support](http://www.vevor.com/support)**

# **VEVOR<sup>®</sup>**

**TOUGH TOOLS, HALF PRICE**

Technisch Ondersteuning en e-garantiecertificaat [www.vevor.com/support](http://www.vevor.com/support)

## **Eetkamerstoelhoees**

### **HANDLEIDING**

**MODEL: RD-VV-24,RD-VV-25**

We continue to be committed to provide you tools with competitive price.

"Save Half", "Half Price" or any other similar expressions used by us only represents an estimate of savings you might benefit from buying certain tools with us compared to the major top brands and does not necessarily mean to cover all categories of tools offered by us. You are kindly reminded to verify carefully when you are placing an order with us if you are actually saving half in comparison with the top major brands.

# VEVOR<sup>®</sup>

TOUGH TOOLS, HALF PRICE

## Dinning Chair

**MODEL: RD-VV-24,RD-VV-25**



Bedankt voor de aankoop van een van onze producten. Lees vóór de installatie zorgvuldig de montage-instructies .

### **NEED HELP? CONTACT US!**

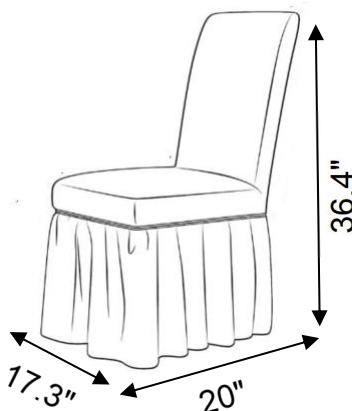
Have product questions? Need technical support? Please feel free to contact us:

**Technical Support and E-Warranty Certificate**  
**[www.vevor.com/support](http://www.vevor.com/support)**

This is the original instruction, please read all manual instructions carefully before operating. VEVOR reserves a clear interpretation of our user manual. The appearance of the product shall be subject to the product you received. Please forgive us that we won't inform you again if there are any technology or software updates on our product.

# PRODUCTPARAMETERS

<b>Productnaam :</b> _ _ _	Eetkamerstoelhoes
<b>Productmateriaal :</b> _ _	Polyestervezel95%Spandex5%
<b>Productkleur :</b> _ _	Wit Zwart
<b>Model:</b>	RD-VV-24,RD-VV-25
<b>Past bij de maat van de stoel</b>	17,3"x20*"x36,4" (440x510x925 mm)
<b>Product kwantiteit :</b>	4 stuks/doos



## MONTAGEVOORZORGSMAATREGELEN

1. Lees deze handleiding zorgvuldig door voordat u het product gebruikt.
2. Niet monteren als u moe bent of onder invloed bent van alcohol, drugs of medicijnen.

## GEBRUIK VOORZORGSMAATREGELEN

### **WAARSCHUWING:**

1. Dit product is geen speelgoed. Laat kinderen niet met dit artikel spelen of er dichtbij komen.

2. Alleen gebruiken zoals bedoeld.
3. Trek niet gewelddadig tijdens het gebruik.
4. Meet voor gebruik op of de maat van de stoel binnen de productomschrijving valt.
5. Ontvlambaar: Verwijderd houden van open vuur. Dit product zal ontbranden en verbranden als het in contact komt met open vuur.
6. Blijf uit de buurt van scherpe punten, messen en andere voorwerpen, om krassen op het product te voorkomen.

## **BEWAAR DEZE INSTRUCTIES**

## **PRODUCTEIGENSCHAPPEN**

1. Elastisch doek is fijn vakmanschap, niet gekreukt, hoeft niet te worden gestreken.
2. Uitstekende stof, eenvoudige kleur.
3. Schoon en duurzaam.
4. Voetmouw van rubberen band, sterke slijtvastheid.

## **SCHOONMAAK**

- Consistent met conventionele kledingreinigingsmethoden, maar niet met spoelen .
- Natuurlijk laten drogen

# **VEVOR<sup>®</sup>**

**TOUGH TOOLS, HALF PRICE**

**Ondersteuning en e-garantiecertificaat**

**[www.vevor.com/support](http://www.vevor.com/support)**



# **VEVOR<sup>®</sup>**

**TOUGH TOOLS, HALF PRICE**

Teknisk Support och e-garanticertifikat [www.vevor.com/support](http://www.vevor.com/support)

## **Överdrag till matstol**

### **ANVÄNDARMANUAL**

**MODELL: RD-VV-24, RD-VV-25**

We continue to be committed to provide you tools with competitive price.

"Save Half", "Half Price" or any other similar expressions used by us only represents an estimate of savings you might benefit from buying certain tools with us compared to the major top brands and does not necessarily mean to cover all categories of tools offered by us. You are kindly reminded to verify carefully when you are placing an order with us if you are actually saving half in comparison with the top major brands.

# VEVOR®

TOUGH TOOLS, HALF PRICE

## Dinning Chair

MODELL: RD-VV-24, RD-VV-25



Tack för att du köpte en av våra produkter, läs noggrant igenom monteringsanvisningen innan installationen .

### NEED HELP? CONTACT US!

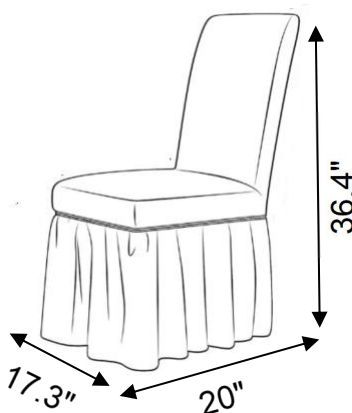
Have product questions? Need technical support? Please feel free to contact us:

**Technical Support and E-Warranty Certificate**  
**[www.vevor.com/support](http://www.vevor.com/support)**

This is the original instruction, please read all manual instructions carefully before operating. VEVOR reserves a clear interpretation of our user manual. The appearance of the product shall be subject to the product you received. Please forgive us that we won't inform you again if there are any technology or software updates on our product.

# PRODUKTPARAMETRAR

Produktnamn : _ _ _	Överdrag till matstol
Produktmaterial : _ _	Polyesterfiber 95 % Spandex 5 %
Produktfärg : _ _	Vit svart
Modell:	RD-VV-24, RD-VV-25
Passar till stolens storlek	17,3"x20"x36,4" (440x510x925 mm)
Produktkvantitet : _	4 st/kartong



## FÖRSIKTIGHETSÅTGÄRDER FÖR MONTERING

1. Läs denna bruksanvisning noggrant innan du använder produkten.
2. Sätt dig inte ihop när du är trött eller påverkad av alkohol, droger eller mediciner.

## ANVÄND FÖRSIKTIGHETSÅTGÄRDER

### VARNING:

1. Denna produkt är inte en leksak. Låt inte barn leka med eller närma sig

detta föremål.

2. Använd endast på avsett sätt.
3. Dra inte våldsamt när du använder den.
4. Mät före användning om stolens storlek ligger inom produktbeskrivningens omfattning.
5. Brandfarligt: Förvaras åtskilt från öppen låga. Denna produkt kommer att antändas och brinna om den kommer i kontakt med öppen låga.
6. Håll dig borta från vassa spetsar, knivar och andra föremål för att inte repa produkten.

## **SPARA DESSA INSTRUKTIONER**

## **PRODUKTFUNKTIONER**

1. Elastiskt tyg är fint hantverk, inte skrynkligt behöver inte strykas.
2. Utmärkt tyg, enkel färg.
3. Ren och hållbar.
4. Fothylsa i gummiband, stark slitstyrka.

## **RENGÖRING**

- Överensstämmer med konventionella klädrengöringsmetoder, men inte sköljning .

-Låt det torka naturligt e

# **VEVOR<sup>®</sup>**

**TOUGH TOOLS, HALF PRICE**

**Support och e-garanticertifikat**

**[www.vevor.com/support](http://www.vevor.com/support)**



# **VEVOR<sup>®</sup>**

**TOUGH TOOLS, HALF PRICE**

Técnico Soporte y certificado de garantía electrónica [www.vevor.com/support](http://www.vevor.com/support)

## **Funda para silla de comedor.**

### **MANUAL DE USUARIO**

**MODELO: RD-VV-24,RD-VV-25**

We continue to be committed to provide you tools with competitive price.

"Save Half", "Half Price" or any other similar expressions used by us only represents an estimate of savings you might benefit from buying certain tools with us compared to the major top brands and does not necessarily mean to cover all categories of tools offered by us. You are kindly reminded to verify carefully when you are placing an order with us if you are actually saving half in comparison with the top major brands.

# VEVOR<sup>®</sup>

TOUGH TOOLS, HALF PRICE

## Dinning Chair

MODELO: RD-VV-24,RD-VV-25



Gracias por comprar uno de nuestros productos, lea atentamente las instrucciones de montaje antes de la instalación .

### NEED HELP? CONTACT US!

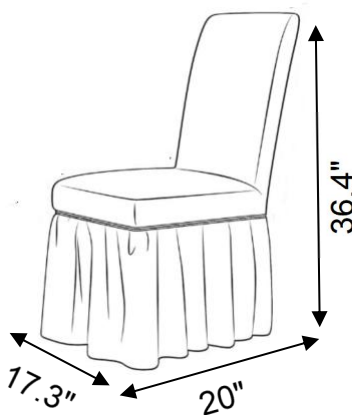
Have product questions? Need technical support? Please feel free to contact us:

**Technical Support and E-Warranty Certificate**  
**[www.vevor.com/support](http://www.vevor.com/support)**

This is the original instruction, please read all manual instructions carefully before operating. VEVOR reserves a clear interpretation of our user manual. The appearance of the product shall be subject to the product you received. Please forgive us that we won't inform you again if there are any technology or software updates on our product.

# PARAMETROS DEL PRODUCTO

<b>Nombre del producto : _</b>	Funda para silla de comedor.
<b>Material del producto : _</b>	Fibra de poliéster95%Spandex5%
<b>Color del producto : _</b>	Blanco negro
<b>Modelo:</b>	RD-VV-24,RD-VV-25
<b>Se adapta al tamaño de la silla.</b>	17,3"x20"x36,4" (440x510x925mm)
<b>Cantidad de producto :</b>	4 unids/caja



## PRECAUCIONES DE MONTAJE

1. Lea atentamente este manual antes de utilizar el producto.
2. No se reúna cuando esté cansado o bajo la influencia de alcohol, drogas o medicamentos.

## PRECAUCIONES DE USO



## **ADVERTENCIA:**

1. Este producto no es un juguete. No permita que los niños jueguen con este artículo ni se acerquen a él.
2. Úselo únicamente según lo previsto.
3. No tire violentamente cuando lo utilice.
4. Antes de usar, mida si el tamaño de la silla está dentro del alcance de la descripción del producto.
5. Inflamable: Mantener alejado de llamas abiertas. Este producto se encenderá y arderá si entra en contacto con una llama abierta.
6. Mantener alejado de puntas afiladas, cuchillas y otros elementos para no rayar el producto.

## **GUARDA ESTAS INSTRUCCIONES**

# **CARACTERÍSTICAS DEL PRODUCTO**

1. La tela elástica tiene una mano de obra fina, no está arrugada y no necesita planchado.
2. Excelente tela, color sencillo.
3. Limpio y duradero.
4. Funda para pie con banda de goma, fuerte resistencia al desgaste.

## **LIMPIEZA**

- Consistente con los métodos convencionales de limpieza de ropa, pero sin enjuague .
- Dejar secar al natural

# **VEVOR<sup>®</sup>**

**TOUGH TOOLS, HALF PRICE**

**Certificado de soporte y garantía electrónica**

**[www.vevor.com/support](http://www.vevor.com/support)**

# **VEVOR<sup>®</sup>**

**TOUGH TOOLS, HALF PRICE**

Tecnico Supporto e certificato di garanzia elettronica [www.vevor.com/support](http://www.vevor.com/support)

## **Fodera per sedia da pranzo**

### **MANUALE D'USO**

**MODELLO: RD-VV-24,RD-VV-25**

We continue to be committed to provide you tools with competitive price.

"Save Half", "Half Price" or any other similar expressions used by us only represents an estimate of savings you might benefit from buying certain tools with us compared to the major top brands and does not necessarily mean to cover all categories of tools offered by us. You are kindly reminded to verify carefully when you are placing an order with us if you are actually saving half in comparison with the top major brands.

# VEVOR®

TOUGH TOOLS, HALF PRICE

## Dinning Chair

MODELLO: RD-VV-24,RD-VV-25



Grazie per aver acquistato uno dei nostri prodotti, leggere attentamente le istruzioni di montaggio prima dell'installazione .

### NEED HELP? CONTACT US!

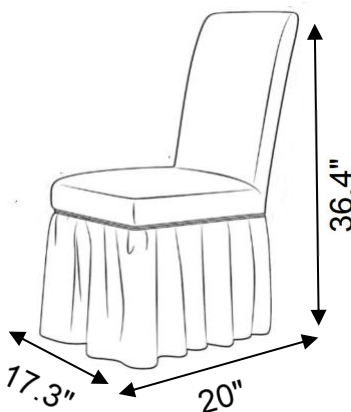
Have product questions? Need technical support? Please feel free to contact us:

**Technical Support and E-Warranty Certificate**  
**[www.vevor.com/support](http://www.vevor.com/support)**

This is the original instruction, please read all manual instructions carefully before operating. VEVOR reserves a clear interpretation of our user manual. The appearance of the product shall be subject to the product you received. Please forgive us that we won't inform you again if there are any technology or software updates on our product.

# PARAMETRI DEL PRODOTTO

<b>Nome del prodotto :</b> _	Fodera per sedia da pranzo
<b>Materiale del prodotto :</b> _	Fibra di poliestere95%Spandex5%
<b>Colore del prodotto :</b> _	Bianco nero
<b>Modello:</b>	RD-VV-24,RD-VV-25
<b>Adatto alle dimensioni della sedia</b>	17,3"x20"x36,4" (440x510x925 millimetri)
<b>Quantità del prodotto :</b>	4 pezzi/scatola



## PRECAUZIONI DI MONTAGGIO

1. Si prega di leggere attentamente questo manuale prima di utilizzare il prodotto.
2. Non montare in caso di stanchezza o sotto l'effetto di alcol, droghe o farmaci.

# USARE LE PRECAUZIONI



## AVVERTIMENTO:

1. Questo prodotto non è un giocattolo. Non permettere ai bambini di giocare o avvicinarsi a questo oggetto.
2. Utilizzare solo come previsto.
3. Non tirare violentemente durante l'utilizzo.
4. Prima dell'uso, misurare se le dimensioni della sedia rientrano nell'ambito della descrizione del prodotto.
5. Infiammabile: tenere lontano da fiamme libere. Questo prodotto si accenderà e brucerà se messo a contatto con una fiamma libera.
6. Tenere lontano da punte taglienti, lame e altri oggetti per non graffiare il prodotto.

## CONSERVA QUESTE ISTRUZIONI

# CARATTERISTICHE DEL PRODOTTO

1. Il tessuto elastico è di pregevole fattura, non spiegazzato, non necessita di stiratura.
2. Tessuto ottimo, colore semplice.
3. Pulito e durevole.
4. Manicotto del piede in elastico, forte resistenza all'usura.

## PULIZIA

-Compatibile con i metodi convenzionali di pulizia degli indumenti, ma senza risciacquo .

-Lascia asciugare naturalmente

# **VEVOR<sup>®</sup>**

**TOUGH TOOLS, HALF PRICE**

**Supporto e certificato di garanzia elettronica**

**[www.vevor.com/support](http://www.vevor.com/support)**