

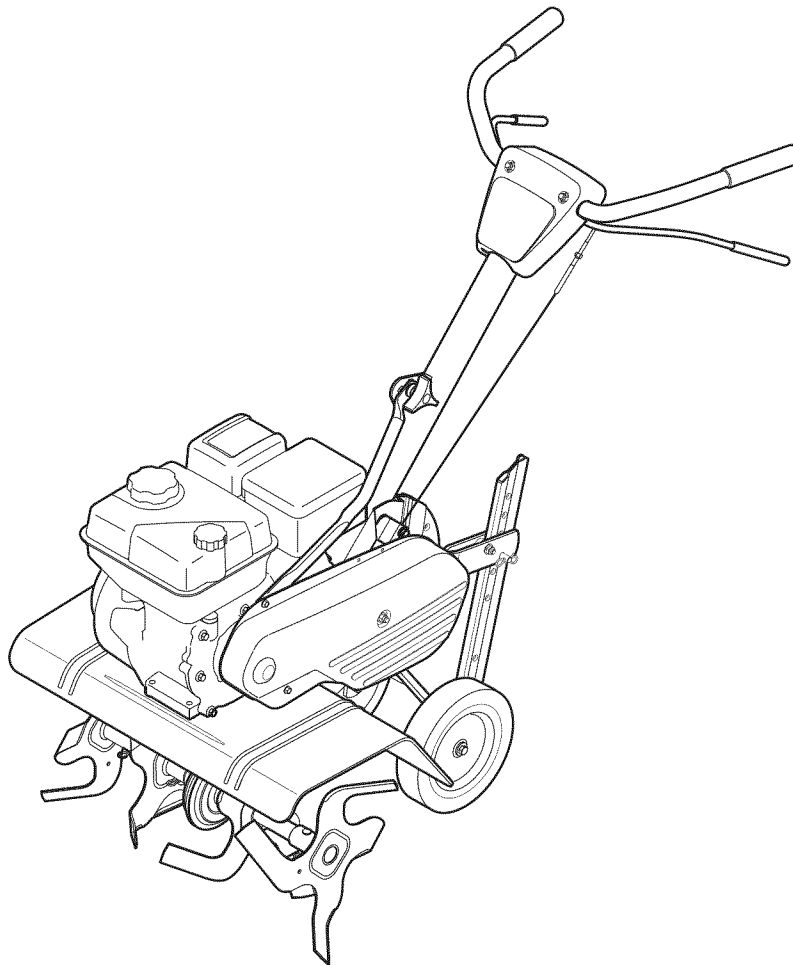
Operator's Manual

CRAFTSMAN[®]

208cc Engine

Front Tine Tiller

Model No. 247.299341



CAUTION: Before using this product, read this manual and follow all safety rules and operating instructions.

- SAFETY
- ASSEMBLY
- OPERATION
- MAINTENANCE
- PARTS LIST
- ESPAÑOL

Sears Brands Management Corporation, Hoffman Estates, IL 60179, U.S.A.
Visit our web site: www.craftsman.com

FORM NO. 769-08075A
5/29/2012

TABLE OF CONTENTS

Warranty Statement.....	Page 2	Parts List.....	Page 22-34
Safety Instructions.....	Pages 3-6	Labels	Page 35
Assembly	Pages 7-10	Repair Protection Agreement	Page 38
Operation.....	Pages 11-15	Español	Page 39
Service and Maintenance.....	Pages 16-19	Service Numbers	Back Cover
Off-Season Storage.....	Page 20		
Troubleshooting	Page 21		

WARRANTY

CRAFTSMAN TWO YEAR FULL WARRANTY

FOR TWO YEARS from the date of purchase, this product is warranted against any defects in material or workmanship. A defective product will receive free repair or replacement if repair is unavailable.

For warranty coverage details to obtain free repair or replacement, visit the web site: www.craftsman.com

This warranty covers ONLY defects in material and workmanship. Warranty coverage does NOT include:

- Expendable items that can wear out from normal use within the warranty period, such as the blades, tines, or belts.
- Product damage resulting from user attempts at product modification or repair or caused by product accessories.
- Repairs necessary because of accident or failure to operate or maintain the product according to all supplied instructions.
- Preventive maintenance, or repairs necessary due to improper fuel mixture, contaminated or stale fuel.

This warranty is void if this product is ever used while providing commercial services or if rented to another person.

This warranty gives you specific legal rights, and you may also have other rights which vary from state to state.

Sears Brands Management Corporation, Hoffman Estates, IL 60179

PRODUCT SPECIFICATIONS

Engine Series:	208cc
Engine Oil Type:	10w30
Engine Oil Capacity:	20 ounces
Fuel:	Unleaded Gasoline
Spark Plug:	F6RTC
Spark Plug Gap:	.030"

MODEL NUMBER

Model Number.....
Serial Number

Date of Purchase

Record the model number, serial number
and date of purchase above



SAFETY INSTRUCTIONS

⚠ WARNING

This symbol points out important safety instructions which, if not followed, could endanger the personal safety and/or property of yourself and others. Read and follow all instructions in this manual before attempting to operate this machine. Failure to comply with these instructions may result in personal injury. When you see this symbol, HEED ITS WARNING!

⚠ WARNING

CALIFORNIA PROPOSITION 65

Engine Exhaust, some of its constituents, and certain vehicle components contain or emit chemicals known to State of California to cause cancer and birth defects or other reproductive harm. Battery posts, terminals, and related accessories contain lead and lead compounds, chemicals known to the State of California to cause cancer and reproductive harm. Wash hands after handling.

⚠ DANGER

This machine was built to be operated according to the safe operation practices in this manual. As with any type of power equipment, carelessness or error on the part of the operator can result in serious injury. This machine is capable of amputating fingers, hands, toes and feet and throwing debris. Failure to observe the following safety instructions could result in serious injury or death.

⚠ WARNING

Your Responsibility—Restrict the use of this power machine to persons who read, understand and follow the warnings and instructions in this manual and on the machine.

SAVE THESE INSTRUCTIONS!

TRAINING

- Read, understand, and follow all instructions on the machine and in the manual(s) before attempting to assemble and operate. Keep this manual in a safe place for future and regular reference and for ordering replacement parts.
- Read the Operator's Manual and follow all warnings and safety instructions. Failure to do so can result in serious injury to the operator and/or bystanders. For questions, call 1-800-4MY-HOME.
- Be familiar with all controls and their proper operation. Know how to stop the machine and disengage them quickly.
- Never allow children under 14 years of age to operate this machine. Children 14 and over should read and understand the instructions and safe operation practices in this manual and on the machine and be trained and supervised by an adult.
- Never allow adults to operate this machine without proper instruction.
- Keep bystanders, pets, and children at least 75 feet from the machine while it is in operation. Stop machine if anyone enters the area.
- Never run an engine indoors or in a poorly ventilated area. Engine exhaust contains carbon monoxide, an odorless and deadly gas.

PREPARATION

- Thoroughly inspect the area where the equipment is to be used. Remove all rocks, bottles, cans, or other foreign objects which could be picked up or thrown and cause personal injury or damage to the machine.
- Always wear safety glasses or safety goggles during operation and while performing an adjustment or repair, to protect your eyes. Thrown objects which ricochet can cause serious injury to the eyes.
- Wear sturdy, rough-soled work shoes and close-fitting slacks and shirts. Loose fitting clothes or jewelry can be caught in movable parts. Never operate this machine in bare feet or sandals.
- Before starting, check all bolts and screws for proper tightness to be sure the machine is in safe working condition. Also, visually inspect machine for any damage at frequent intervals.
- Disengage clutch levers and shift (if provided) into neutral ("N") before starting the engine.
- Never leave this machine unattended with the engine running.
- Never attempt to make any adjustments while the engine is running, except where specifically recommended in the operator's manual.
- Maintain or replace safety and instructions labels, as necessary.

SAFETY INSTRUCTIONS

Safe Handling of Gasoline:

To avoid personal injury or property damage use extreme care in handling gasoline. Gasoline is extremely flammable and the vapors are explosive. Serious personal injury can occur when gasoline is spilled on yourself or your clothes which can ignite. Wash your skin and change clothes immediately.

- Use only an approved gasoline container.
- Never fill containers inside a vehicle or on a truck or trailer bed with a plastic liner. Always place containers on the ground away from your vehicle before filling.
- When practical, remove gas-powered equipment from the truck or trailer and refuel it on the ground. If this is not possible, then refuel such equipment on a trailer with a portable container, rather than from a gasoline dispenser nozzle.
- Keep the nozzle in contact with the rim of the fuel tank or container opening at all times until fueling is complete. Do not use a nozzle lock-open device.
- Extinguish all cigarettes, cigars, pipes and other sources of ignition.
- Never fuel machine indoors.
- Never remove gas cap or add fuel while the engine is hot or running. Allow engine to cool at least two minutes before refueling.
- Never over fill fuel tank. Fill tank to no more than ½ inch below bottom of filler neck to allow space for fuel expansion.
- Replace gasoline cap and tighten securely.
- If gasoline is spilled, wipe it off the engine and equipment. Move unit to another area. Wait 5 minutes before starting the engine.
- To reduce fire hazards, keep machine free of grass, leaves, or other debris build-up. Clean up oil or fuel spillage and remove any fuel soaked debris.
- Never store the machine or fuel container inside where there is an open flame, spark or pilot light as on a water heater, space heater, furnace, clothes dryer or other gas appliances.

OPERATION

- Do not put hands or feet near rotating parts. Contact with the rotating parts can amputate hands and feet.
- Do not operate machine while under the influence of alcohol or drugs.
- Never operate this machine without good visibility or light. Always be sure of your footing and keep a firm hold on the handles.
- Keep bystanders away from the machine while it is in operation. Stop the machine if anyone enters the area.
- Be careful when tilling in hard ground. The tines may catch in the ground and propel the tiller forward. If this occurs, let go of the handle bars and do not restrain the machine.
- Exercise extreme caution when operating on or crossing gravel surfaces. Stay alert for hidden hazards or traffic. Do not carry passengers.
- Never operate the machine at high transport speeds on hard or slippery surfaces.
- Exercise caution to avoid slipping or falling.

- Look down and behind and use care when in reverse or pulling machine towards you.
- Start the engine according to the instructions found in this manual and keep feet well away from the tines at all times.
- After striking a foreign object or if your machine should start making an unusual noise or vibration, immediately shut the engine off. Disconnect the spark plug wire, ground it against the engine and perform the following steps:
 - a. Inspect for damage.
 - b. Repair or replace any damaged parts.
 - c. Check for any loose parts and tighten to assure continued safe operation.
- Disengage all clutch levers (if fitted) and stop engine before you leave the operating position (behind the handles). Wait until the tines come to a complete stop before unclogging the tines, making any adjustments, or inspections.
- Never run an engine indoors or in a poorly ventilated area. Engine exhaust contains carbon monoxide, an odorless and deadly gas.
- Muffler and engine become hot and can cause a burn. Do not touch.
- Use caution when tilling near fences, buildings and underground utilities. Rotating tines can cause property damage or personal injury.
- Do not overload machine capacity by attempting to till soil too deep at too fast of a rate.
- If the machine should start making an unusual noise or vibration, stop the engine, disconnect the spark plug wire and ground it against the engine. Inspect thoroughly for damage. Repair any damage before starting and operating.
- Keep all shields, guards, and safety devices in place and operating properly.
- Never pick up or carry machine while the engine is running.
- Use only attachments and accessories approved by the manufacturer as listed in the Parts List pages of this operator's manual. Failure to do so can result in personal injury.
- If situations occur which are not covered in this manual, use care and good judgement. Contact Customer Support at 1-800-4MY-HOME for assistance and the name of the nearest service dealer

MAINTENANCE & STORAGE

- Keep the machine, attachments and accessories in safe working order.
- Allow the machine to cool at least five minutes before storing. Never tamper with safety devices. Check their proper operation regularly.
- Check bolts and screws for proper tightness at frequent intervals to keep the machine in safe working condition. Also, visually inspect machine for any damage.
- Before cleaning, repairing, or inspecting, stop the engine and make certain the tines and all moving parts have stopped. Disconnect the spark plug wire and ground it against the engine to prevent unintended starting.

SAFETY INSTRUCTIONS

- Do not change the engine governor settings or over-speed the engine. The governor controls the maximum safe operating speed of engine.
- Maintain or replace safety and instruction labels, as necessary.
- Follow this manual for safe loading, unloading, transporting, and storage of this machine.
- Always refer to the operator's manual for important details if the machine is to be stored for an extended period.
- If the fuel tank has to be drained, do this outdoors.
- Observe proper disposal laws and regulations for gas, oil, etc. to protect the environment.
- According to the Consumer Products Safety Commission (CPSC) and the U.S. Environmental Protection Agency (EPA), this product has an Average Useful Life of seven (7) years, or 130 hours of operation. At the end of the Average Useful Life have the machine inspected annually by an authorized service dealer to ensure that all mechanical and safety systems are working properly and not worn excessively. Failure to do so can result in accidents, injuries or death.

DO NOT MODIFY ENGINE

To avoid serious injury or death, do not modify engine in any way. Tampering with the governor setting can lead to a runaway engine and cause it to operate at unsafe speeds. Never tamper with factory setting of engine governor.

NOTICE REGARDING EMISSIONS

Engines which are certified to comply with California and federal EPA emission regulations for SORE (Small Off Road Equipment) are certified to operate on regular unleaded gasoline, and may include the following emission control systems: Engine Modification (EM), Oxidizing Catalyst (OC), Secondary Air Injection (SAI) and Three Way Catalyst (TWC) if so equipped.

SPARK ARRESTOR

WARNING

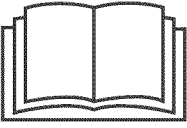





This machine is equipped with an internal combustion engine and should not be used on or near any unimproved forest-covered, brushcovered or grass-covered land unless the engine's exhaust system is equipped with a spark arrestor meeting applicable local or state laws (if any)

If a spark arrestor is used, it should be maintained in effective working order by the operator. In the State of California the above is required by law (Section 4442 of the California Public Resources Code). Other states may have similar laws. Federal laws apply on federal lands. A spark arrestor for the muffler is available through your nearest Sears Parts and Repair Service Center.

SAFETY INSTRUCTIONS

SAFETY SYMBOLS

This page depicts and describes safety symbols that may appear on this product. Read, understand, and follow all instructions on the machine before attempting to assemble and operate.

Symbol	Description
	READ THE OPERATOR'S MANUAL(S) Read, understand, and follow all instructions in the manual(s) before attempting to assemble and operate.
	WARNING— ROTATING TINES Do not put hands or feet near rotating parts. Contact with the rotating parts can amputate hands and feet.
	WARNING— ROTATING TINES Do not put hands or feet near rotating parts. Contact with the rotating parts can amputate hands and feet.
	WARNING— GASOLINE IS FLAMMABLE Allow the engine to cool at least two minutes before refueling.
	WARNING— CARBON MONOXIDE Never run an engine indoors or in a poorly ventilated area. Engine exhaust contains carbon monoxide, an odorless and deadly gas.
	WARNING— HOT SURFACE Engine parts, especially the muffler, become extremely hot during operation. Allow engine and muffler to cool before touching.



WARNING: Your Responsibility—Restrict the use of this power machine to persons who read, understand and follow the warnings and instructions in this manual and on the machine.

SAVE THESE INSTRUCTIONS!

ASSEMBLY

NOTE: This unit is shipped without gasoline or oil in the engine. Be certain to service engine with gasoline and oil as instructed in the Operation section of this manual before operating your machine.

NOTE: Reference to right and left hand side of the Tiller is observed from the operating position.

OPENING CARTON

1. Cut each corner of the carton vertically from top to bottom.
2. Remove all loose parts.
3. Remove loose packing material.

REMOVING UNIT FROM CARTON

1. Use the handlebar to lift and pull the tiller backwards to a flat area. Check the carton thoroughly for loose parts.
2. Be sure not to kink the forward clutch cable.

LOOSE PARTS IN CARTON

- Handlebar Assembly
- Tiller
- Engine Oil
- Operator's Manual
- Depth Gage Assembly

ATTACHING THE CABLE

1. Identify the forward clutch cable (A). See Figure 1.

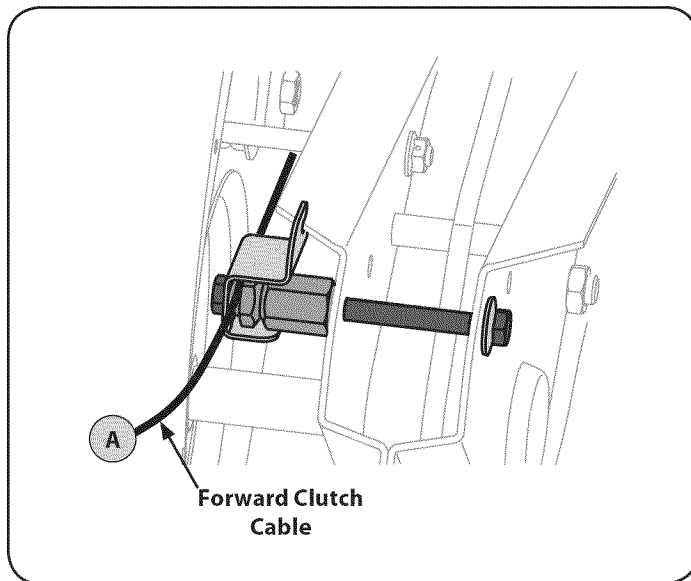


Figure 1

2. Hook the "Z" end of the forward clutch cable (A) into the forward tine engagement lever. See Figure 2.

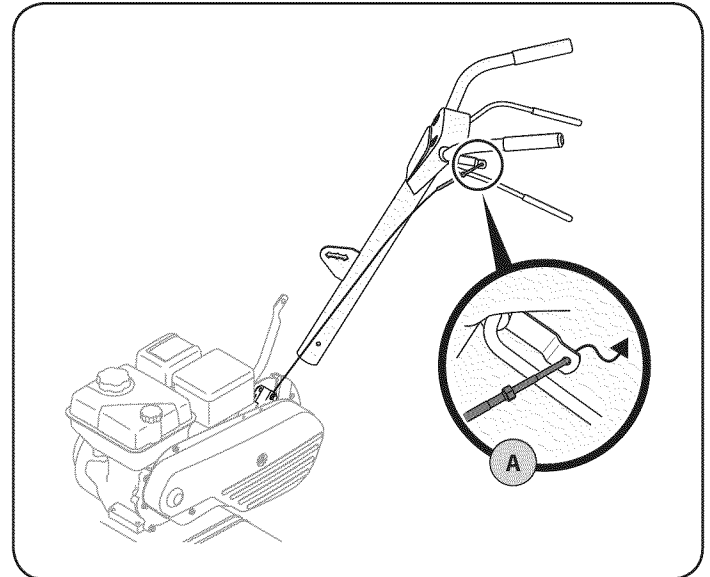


Figure 2

NOTE: Be sure not to kink the cable while attaching.

ATTACHING THE HANDLE ASSEMBLY

1. Remove the hex bolt and cupped washer from the right side of the frame. Hold the cable guide bracket on the left side of frame as it will fall when the bolt is removed. Step 1 in Figure 3.

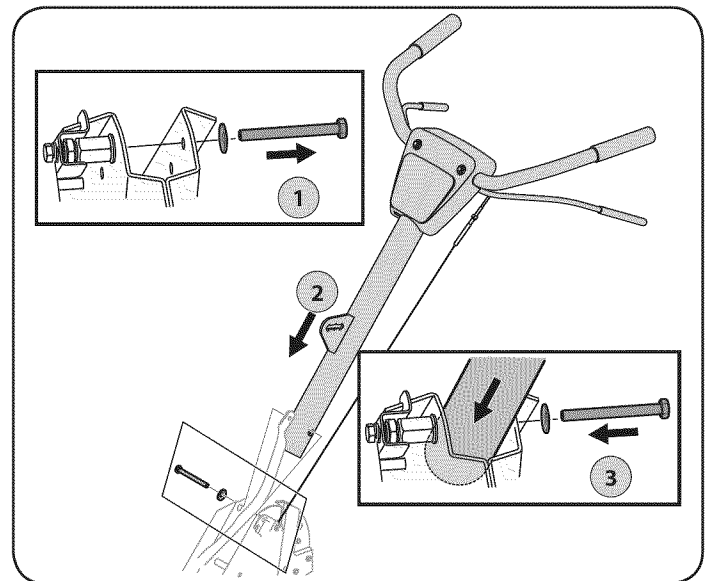


Figure 3

2. Insert the handle into the tiller frame. Step 2 in Figure 3.
3. Insert the bolt through the cupped washer, frame, handle and into the cable guide bracket (note the notch in the cable guide bracket goes over the flange on the frame.) Step 3 in Figure 3.

ASSEMBLY

4. Tighten the bolt securely after securing the handle brace. See Figure 4.

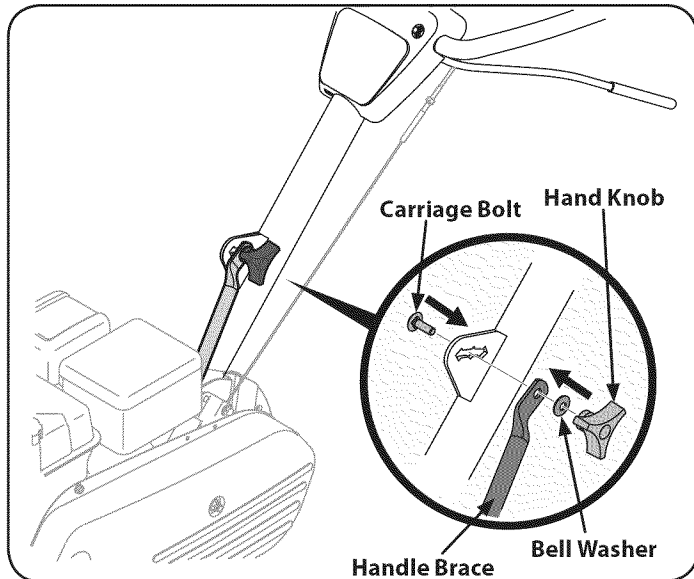


Figure 4

5. Locate the carriage bolt, bell washer and hand knob packed with your tiller.
6. Insert the carriage bolt through the welded bracket on the handle, bell washer, handle brace and into the hand knob. See Figure 4.
7. Select one of the three handle height positions (three notches in the welded handle bracket) and tighten the hand knob to secure the handle in the desired position. See Figure 4. Return to the lower handle and tighten the hex bolt securely.

ATTACHING THE DEPTH STAKE

1. Remove the two screws from the depth stake assembly. See Figure 5.

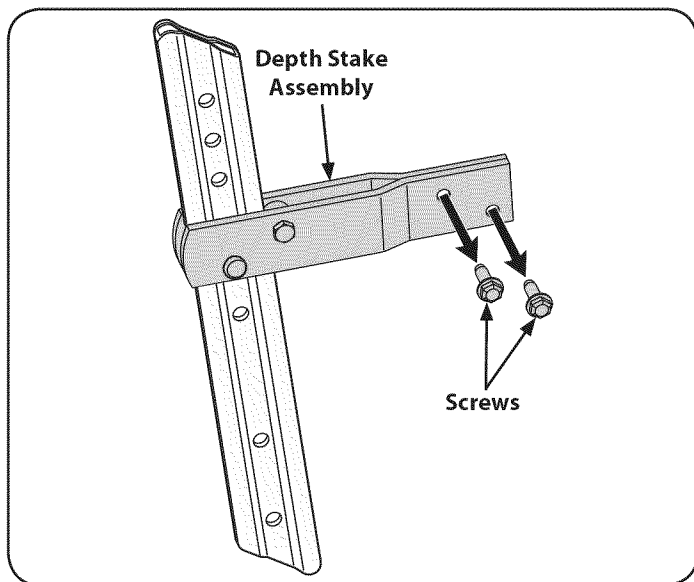


Figure 5

2. Insert the depth stake assembly into the frame and reinstall the two screws removed earlier. Tighten the hex bolts securely. See Figure 6.

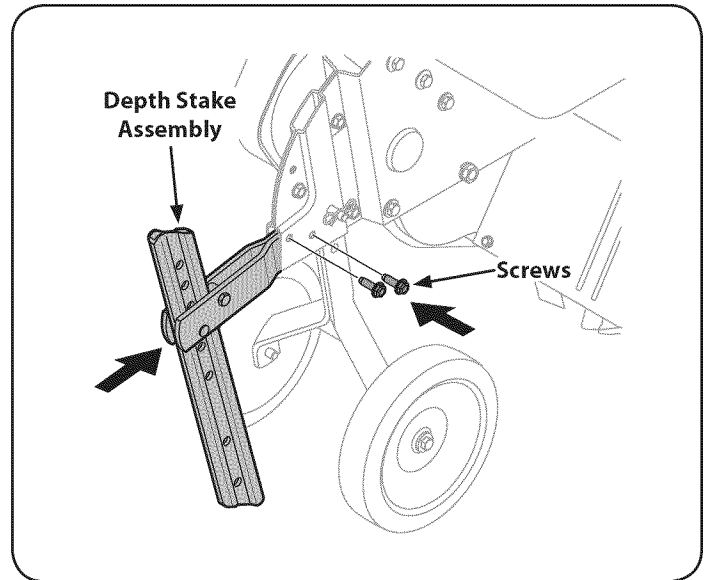


Figure 6

3. Secure the pin with the clip removed earlier. The depth stake can be placed at various positions. For setup purposes it is suggested that the depth stake be assembled with the stake just above or level with the ground surface. For further instructions on the Depth Stake refer to the Operation Section of this manual.

ASSEMBLY

SET-UP

Checking and Adding Oil

⚠ CAUTION

The engine is shipped without oil in the engine. You must fill the engine with oil before operating. Running the engine with insufficient oil can cause serious engine damage and void the product warranty.

Initial Use

1. Remove the oil fill dipstick.
2. Place the tiller on level ground, use a funnel to empty entire contents of the oil bottle provided with the unit into the engine.
3. Replace the oil fill dipstick and tighten.

Checking and adding oil

1. Place the tiller on a flat, level surface.
2. Remove the oil filler cap/dipstick and wipe the dipstick clean. See Figure 7.

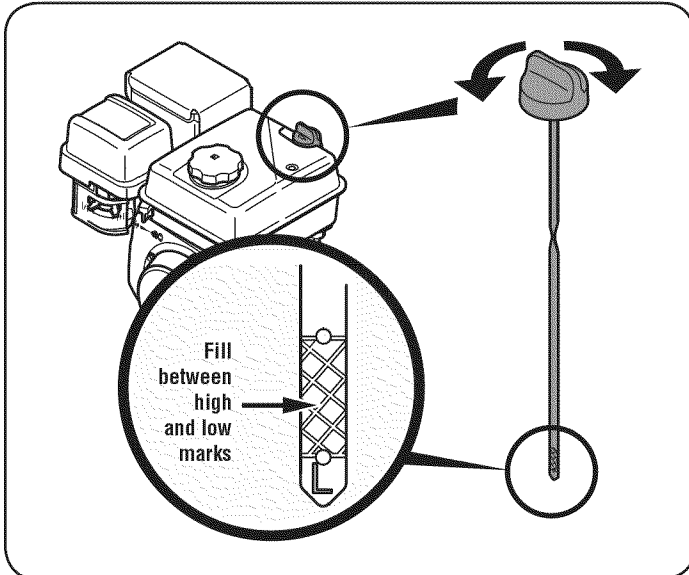


Figure 7

3. Insert the cap/dipstick into the oil filler neck, but do not screw it in.
4. Remove the oil filler cap/dipstick. If the level is low, slowly add oil until oil level registers between high (H) and low (L), Figure 8.

NOTE: Do not overfill. Overfilling with oil may cause smoking, hard starting, or spark plug fouling.

5. Replace and tighten cap/dipstick firmly before starting engine.

NOTE: DO NOT allow oil level to fall below the "L" mark on the dipstick. Doing so may result in equipment malfunctions or damage.

NOTE: To change the oil on your engine, see the Maintenance Section of this manual.

Fuel Recommendations

Use automotive gasoline (unleaded or low leaded to minimize combustion chamber deposits) with a minimum of 87 octane. Gasoline with up to 10% ethanol or 15% MTBE (Methyl Tertiary Butyl Ether) can be used. Never use an oil/gasoline mixture or dirty gasoline. Avoid getting dirt, dust, or water in the fuel tank. DO NOT use E85 gasoline.

- Refuel in a well-ventilated area with the engine stopped. Do not smoke or allow flames or sparks in the area where the engine is refueled or where gasoline is stored.
- Do not overfill the fuel tank. After refueling, make sure the tank cap is closed properly and securely.
- Be careful not to spill fuel when refueling. Spilled fuel or fuel vapor may ignite. If any fuel is spilled, make sure the area is dry before starting the engine.
- Avoid repeated or prolonged contact with skin or breathing of vapor.

Adding Fuel

⚠ WARNING

Use extreme care when handling gasoline. Gasoline is extremely flammable and the vapors are explosive. Never fuel the machine indoors or while the engine is hot or running. Extinguish cigarettes, cigars, pipes and other sources of ignition.

1. Be sure engine is outdoors and in a well-ventilated area.
2. Clean area around the fuel fill cap and remove the fuel fill cap.
3. Using an approved red GASOLINE container, add fuel slowly, being careful to avoid spilling.
4. Fill the tank until the fuel reaches the "fuel full" indicator mark. See Figure 8.

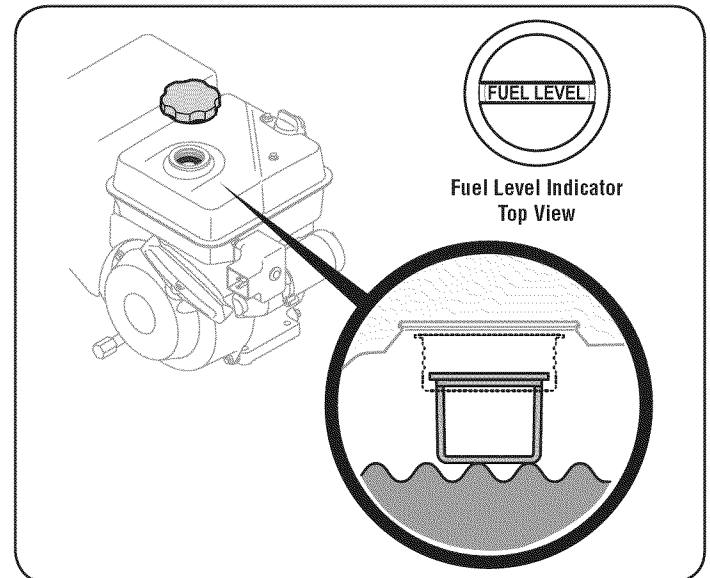


Figure 8

5. Replace the fuel cap and tighten securely. Wipe up spilled fuel before starting engine. If fuel is spilled DO NOT start engine. Move machine away from area of spillage. Avoid creating any source of ignition until fuel vapors are gone.

ASSEMBLY

ADJUSTMENTS

⚠ WARNING

Prior to operating your tiller, carefully read and follow all instructions below. Perform all adjustments to verify your tiller is operating safely and properly.

Depth Stake & Wheels

The tiller is shipped with the wheels adjusted so that the machine sits level. The wheels need to be adjusted to meet your tilling needs before operation. This adjustment is made by removing the clevis pin from the wheel yoke and raising the wheels to the desired height. See Figure 9.

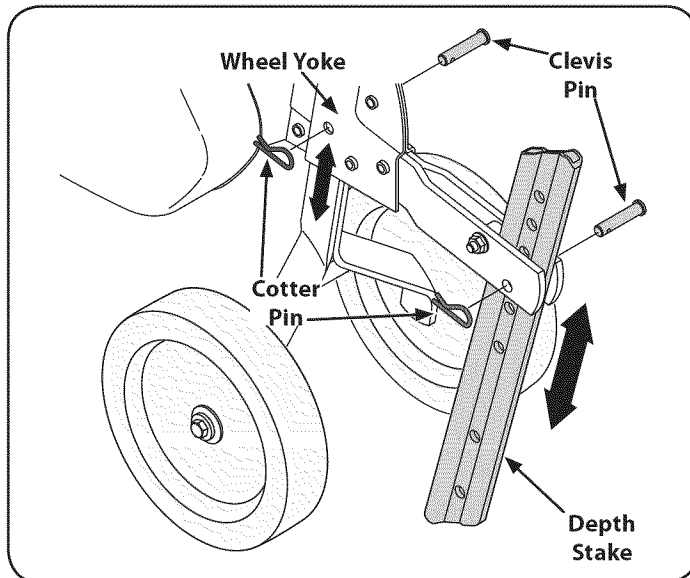


Figure 9

Clutch Cable Adjustment

Before operating the tiller the adjustment of the forward clutch cables must be checked.

1. Disconnect and ground the spark plug wire against the engine.
2. Adjust the forward clutch cable by loosening the hex nut. See Figure 10.

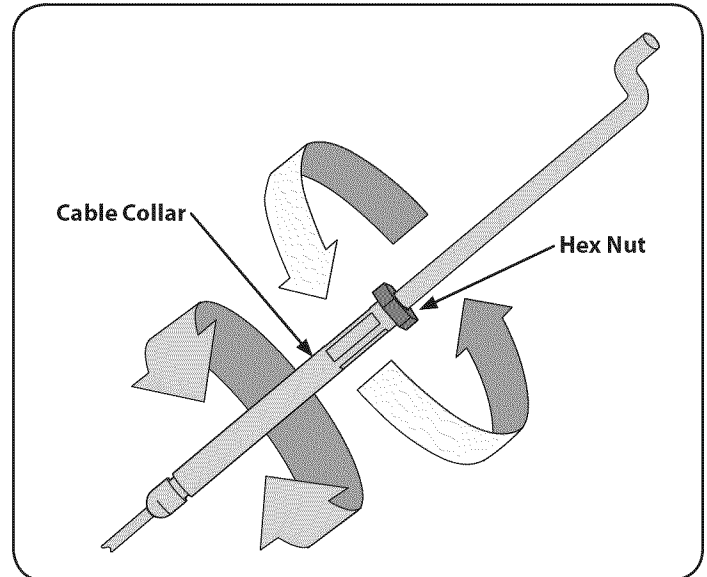


Figure 10

3. Turn the cable collar section one or two turns to increase or decrease tension on the cable. See Figure 10.
4. Retighten the lock nut against the cable collar. See Figure 10.
5. With the forward tine engagement handle in the neutral — released — position, pull the starter rope several times. The tines should not turn.
6. If they turn adjust the forward clutch cable to release tension using the previous steps in this section.
7. Check again for correct tension on the cable.
8. After tilling, if the tines stop moving, re-adjust the cables.

OPERATION

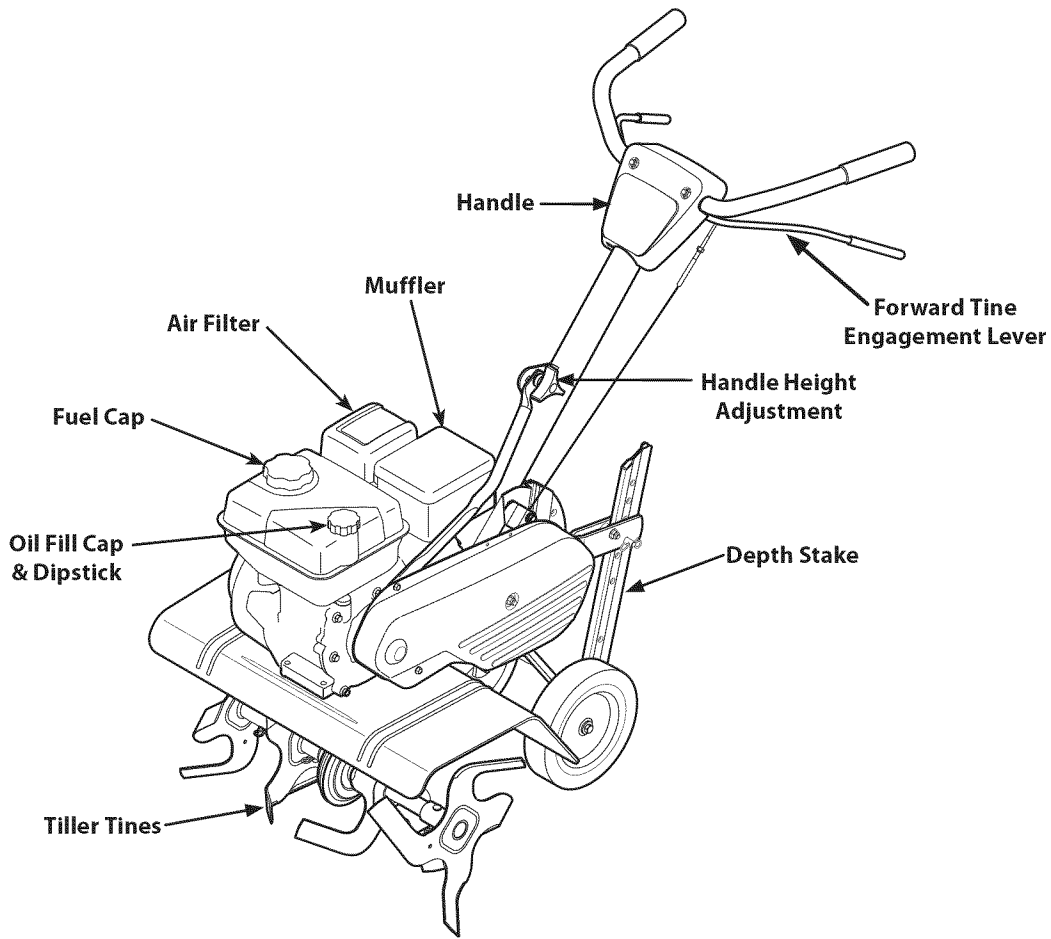


Figure 10

Now that you have set up your tiller for operation, get acquainted with its controls and features. These are described on the next two pages and illustrated on this page. This knowledge will allow you to use your new equipment to its fullest potential.

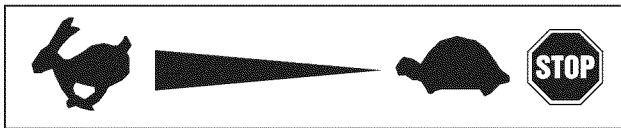
⚠ WARNING

The operation of any tiller can result in foreign objects being thrown into the eyes, which can damage your eyes severely. Always wear safety glasses during operation or while performing any adjustments or repairs.

RECOIL STARTER HANDLE

This handle is used to start the engine.

THROTTLE CONTROL



The throttle control is located on the side of the engine. It regulates the spread of the engine and will shut off the engine when moved into the STOP position.

CHOKE CONTROL



The choke control is found on the side of the engine and is activated by moving the lever to the CHOKE position. Activating the choke control closes the choke plate on the carburetor and aids in starting the engine.

AIR FILTER

The air filter is a device on the engine air intake that prevents dust and dirt entering the engine. See Figure 10.

MUFFLER

Engine exhaust exits the engine via the muffler. See Figure 10.

DEPTH STAKE

The depth stake controls the tilling depth. See Figure 10.

TINES

Tilling tines are used to cultivate, furrow and prepare your garden for seeding. See Figure 10.

Meets ANSI Safety Standards

Craftsman Tillers conform to the safety standard of the American National Standards Institute (ANSI).

OPERATION

OIL FILL CAP & DIPSTICK

Engine oil level can be checked and oil added through the oil fill. See Figure 10.

NOTE: This unit was shipped WITHOUT oil in the engine. Oil is included in the plastic bag packed with the manual in with the unit. Add the oil as directed in the Gas & Oil Fill Up section. Check the oil level before each operation to ensure adequate oil is in the engine. For further instructions, refer to the steps in the Engine Maintenance section of this manual.


FORWARD TINE ENGAGEMENT LEVER

The forward tine engagement lever controls the engagement of the tines. Release the lever to stop the tines. See Figure 10.

HANDLEBAR HEIGHT ADJUSTMENT

The handle height may be adjusted. Loosen the knob to change the position. Tighten hardware when complete. See Figure 10.

TO START ENGINE

1. Attach spark plug wire and rubber boot to spark plug.
2. Fill tank to no more than 1/2" below bottom of filler neck to provide space for fuel expansion.
3. Make sure the tine clutch control is disengaged.
4. Move the choke lever on the engine to CHOKE  position. (A warm engine may not require choking.) See Figure 11.

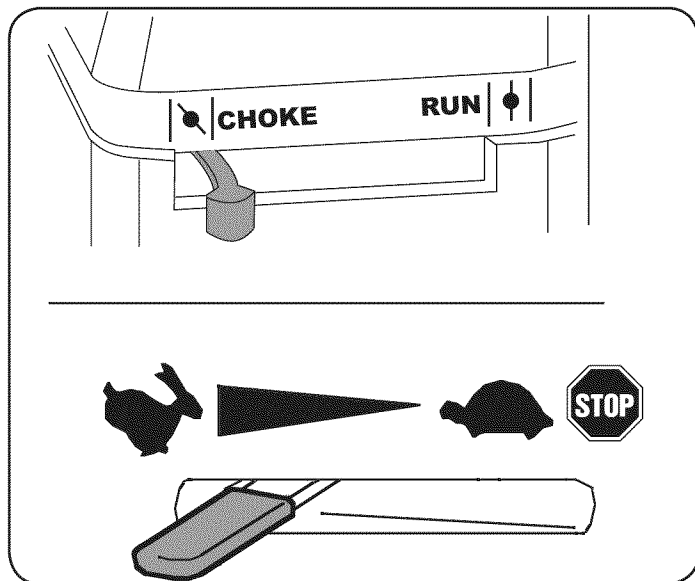






Figure 11

5. Move throttle control to START/RUN (Rabbit)  position. See Figure 11.

6. Standing on the side of the unit, grasp starter handle and pull rope out until you feel a drag.
7. Pull the rope with a rapid, continuous, full arm stroke. Keep a firm grip on the starter handle. Let the rope rewind slowly.
8. Repeat, if necessary, until engine starts. When engine starts, move choke control gradually toward the RUN  position..
9. If engine falters, move choke control back toward the CHOKE  position and repeat steps 5 through 8.
10. ALWAYS keep the throttle control in the START/RUN (Rabbit) position when operating the tiller.

TO STOP ENGINE

1. To stop the wheels and tines, release the Forward Clutch Bail.
2. Move throttle control lever to slow (turtle)  position. Whenever possible, gradually reduce engine speed before stopping engine.
3. Move throttle control lever to STOP  or OFF position.
4. Disconnect spark plug wire and ground it against the engine to prevent accidental starting while the equipment is unattended.

TO ENGAGE DRIVE & TINES

1. For forward motion of the wheels and power to the tines pull the Forward Clutch Bail up against the handlebar.
2. When tilling, relax and let the wheels pull the machine while the tines dig. Walk slowly behind the tiller allowing it to move at its own pace while keeping a secure grip on the handlebar with your elbows flexed.
3. Release the bail to stop the forward motion of wheels and tines.

TURNING THE TILLER

1. Practice turning the tiller in a level, open area. Be very careful to keep your feet and legs away from the tines.
2. To begin a turn, lift the handlebars until the tines are out of the ground and the engine and tines are balanced over the wheels.
3. With the tiller balanced, push sideways on the handlebar to steer in the direction of the turn. After turning, slowly lower the tines into the soil to resume tilling.

SETTING THE DEPTH

WARNING

Be certain spark plug wire is disconnected and grounded against the engine when performing any adjustments.

Yoke Forward

Attach the wheel yoke so that the wheels are forward (nearest to tines) for shallow tilling, cultivating and transport by removing the clevis pin

OPERATION

and cotter pin. See Figure 12.

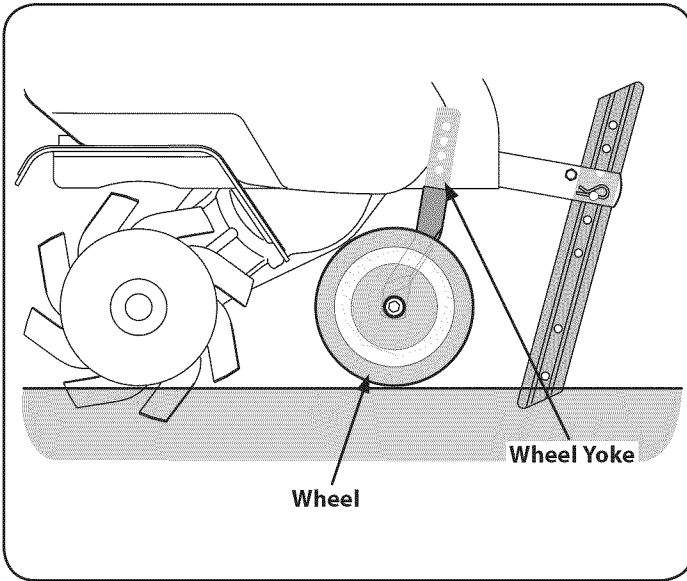


Figure 12

Yoke Back

Attach the wheel yoke so that the wheels are toward the rear (closest to depth stake) for deep tilling and cultivating by removing the clevis pin and cotter pin. See Figure 13.

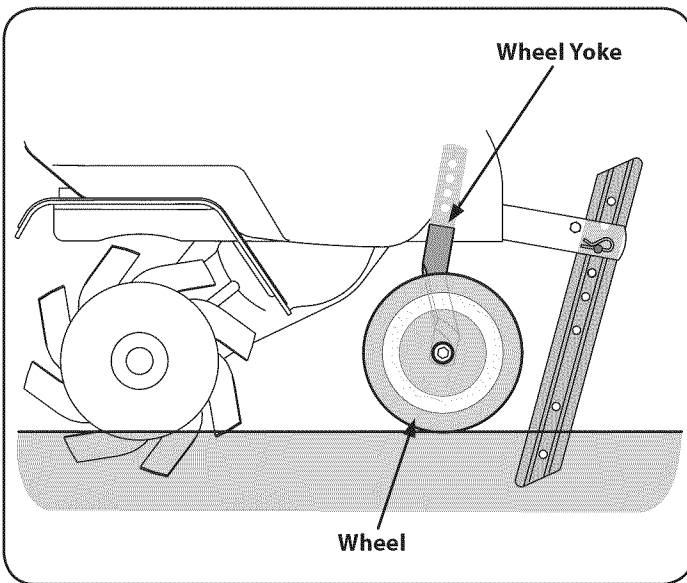


Figure 13

Depth Stake

The depth stake acts as a brake for the tiller and controls the depth and speed at which the machine will operate. Remove the clevis pin and hairpin clip to raise or lower the depth stake. See Figure 14.

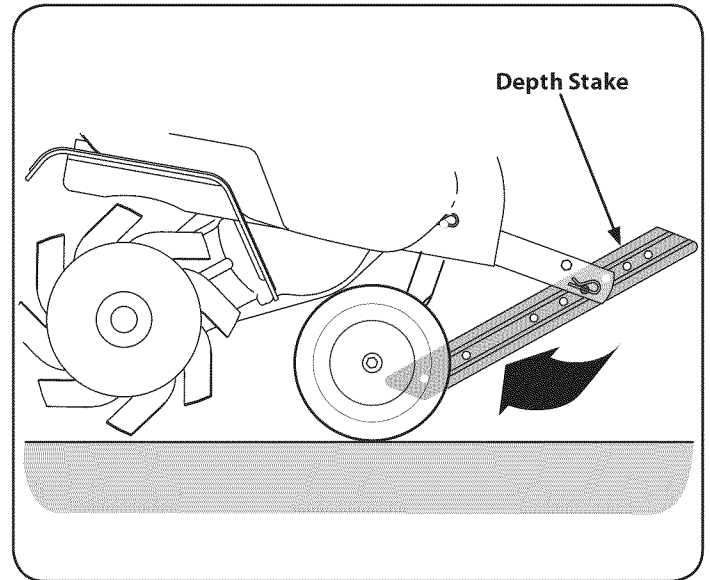


Figure 14

ADJUSTING THE HANDLE HEIGHT

The handle should be adjusted so that when the tiller is digging 3-4" into the soil, the handle falls to about waste-high. To adjust handle, simply loosen the handle knob, move the handle to the desired height and retighten the handle knob. See Figure 15.

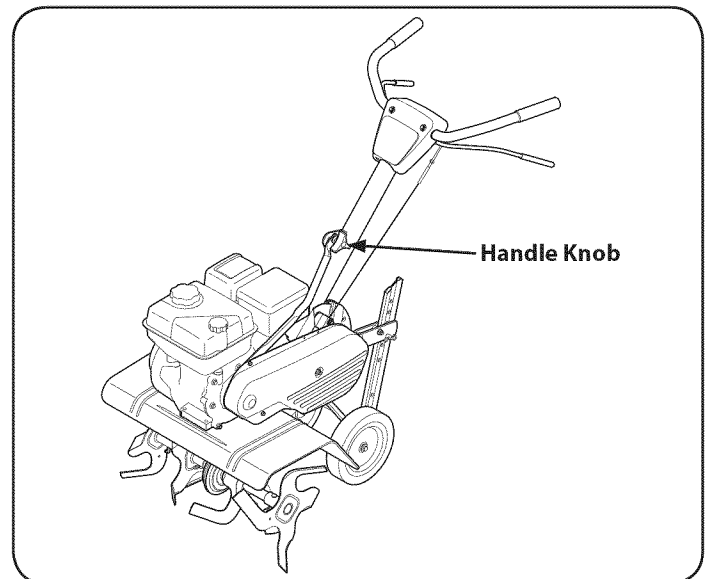


Figure 15

OPERATION

CLEARING THE TINES

⚠ WARNING

Before clearing the tines by hand, stop the engine, allow all moving parts to stop and disconnect the spark plug wire. Failure to follow this warning could result in personal injury.

The tines have a self-clearing action which eliminates most of the tangling of debris. However, occasionally dry grass, stringy stalks or tough vines may become tangled. Follow these procedures to help avoid tangling and to clear the tines, if necessary.

- Try to till under crop residues or cover crops while they are green, moist and tender.
- While tilling, try swaying the handlebars from side to side (about 6" to 12"). This "fishtailing" action often clears the tines of debris.

TILLING TIPS & TECHNIQUES

⚠ WARNING

Before tilling, contact your telephone or utilities company and inquire if underground equipment or lines are used on your property. Do not till near buried electric cables, telephone lines, pipes or hoses.

Tilling Depth

- This is a FRT (forward-rotating tine) tiller. When the forward tine engagement lever is pressed against the handle the tines rotate forward. This creates an "uppercut" tine action which digs deeply, uprooting soil and weeds. Don't overload the engine, but dig as deeply as possible on each pass.
- When cultivating (breaking up the surface soil around the plants to destroy weeds, See Figure 16), try to have the tines only dig 1" to 2" deep. Using the shallow tilling depth helps prevent injury to the plants whose roots often grow close to the surface. If needed, lift up on the handlebars slightly to prevent the tines from digging too deeply. (Cultivating on a regular basis not only eliminates weeds, it also loosens and aerates the soil for better moisture absorption and faster plant growth.) Watering the garden area a few days prior to tilling will make tilling easier, as will letting the newly worked soil set for a day or two before making a final, deep tilling pass.

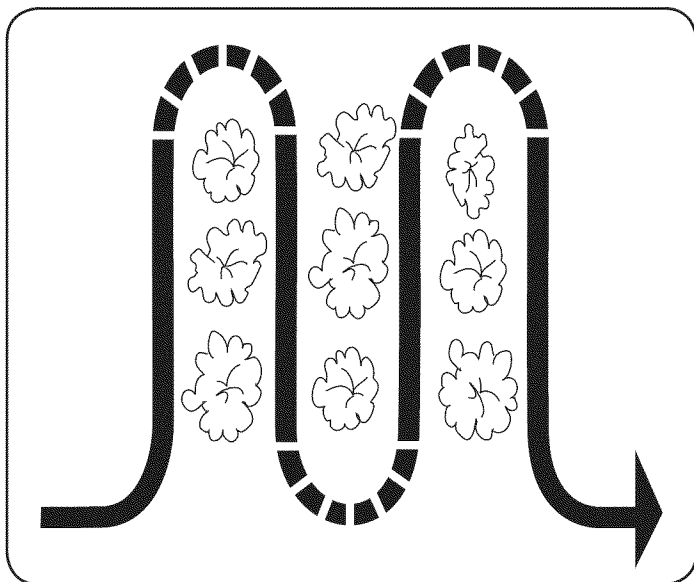


Figure 16

Choosing the Correct Tine Speed

With experience, you will find the tilling depth and tilling speed combination that is best for your garden. Set the engine throttle lever at a speed to give the engine adequate power and yet allow it to operate at the slowest possible speed until you have achieved the maximum tilling depth you desire. Faster engine speeds may be desirable when making final passes through the seedbed or when cultivating. Selection of the correct engine speed, in relation to the tilling depth, will ensure a sufficient power level to do the job without causing the engine to labor.

Suggested Tilling Patterns

- When preparing a seedbed, go over the same path twice in the first row, then overlap one-half the tiller width on the rest of the passes. See Figure 17.

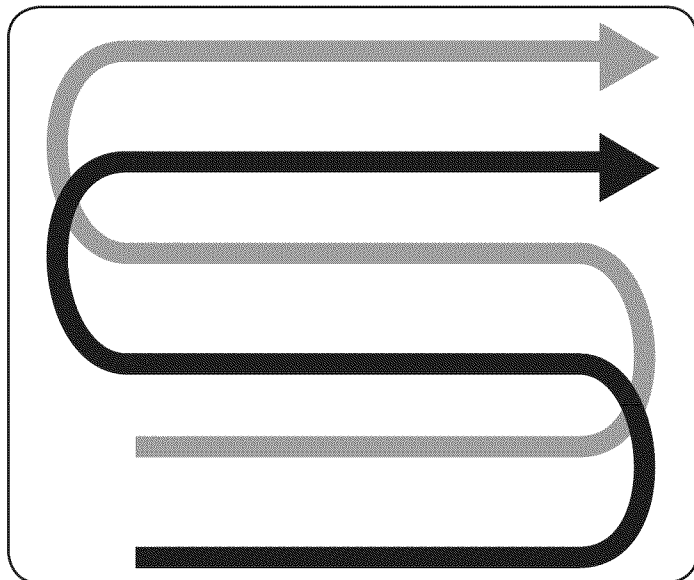


Figure 17

- When finished in one direction, make a second pass at a right angle, See Figure 18. Overlap each pass for the best results (in very hard ground, it may take three or four passes to thoroughly pulverize the soil).

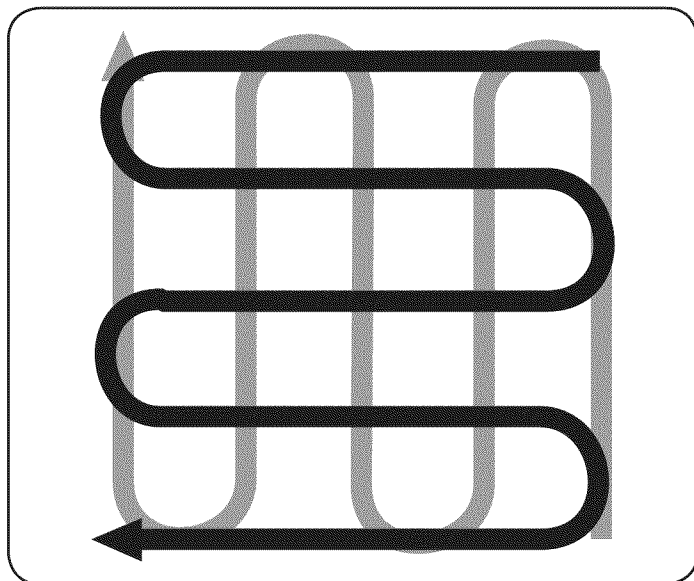


Figure 18

OPERATION

- If the garden size will not permit lengthwise and then crosswise tilling, then overlap the first passes by one-half a tiller width, followed by successive passes at one-quarter width. See Figure 19.

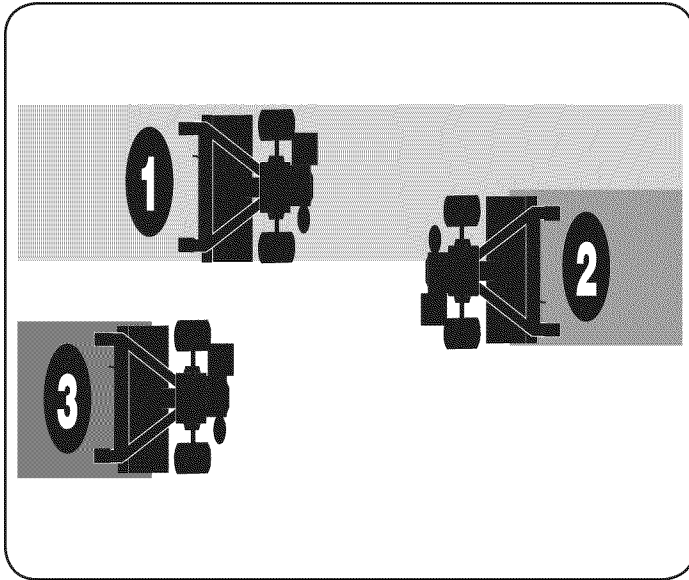


Figure 19

Tilling on a Slope

⚠ WARNING

Do not operate the tiller on a slope too steep for safe operation. Till slowly and be sure you have good footing. Never permit the tiller to freewheel down slopes. Failure to follow this warning could result in personal injury.

1. Till only on moderate slopes, never on steep ground where the footing is difficult.
2. Tilling up and down slopes is recommended over terracing. Tilling vertically on a slope allows maximum planting area and also leaves room for cultivating.

NOTE: When tilling on slopes, be sure the correct oil level is maintained in the engine (check every one-half hour of operation). The incline of the slope will cause the oil to slant away from its normal level and this can starve engine parts of required lubrication. Keep the motor oil level at the full point at all times.

Tilling Up and Down a Slope

1. To keep soil erosion to a minimum, be sure to add enough organic matter to the soil so that it has good moisture-holding texture and try to avoid leaving footprints or wheel marks.
2. When tilling vertically, try to make the first pass uphill as the tiller digs more deeply going uphill than it does downhill. In soft soil or weeds, you may have to lift the handlebars slightly while going uphill. When going downhill, overlap the first pass by about one-half the width of the tiller.

Terrace Gardening

1. To create a terrace, start at the top of the slope and work down. Go back and forth across the first row. See Figure 20.

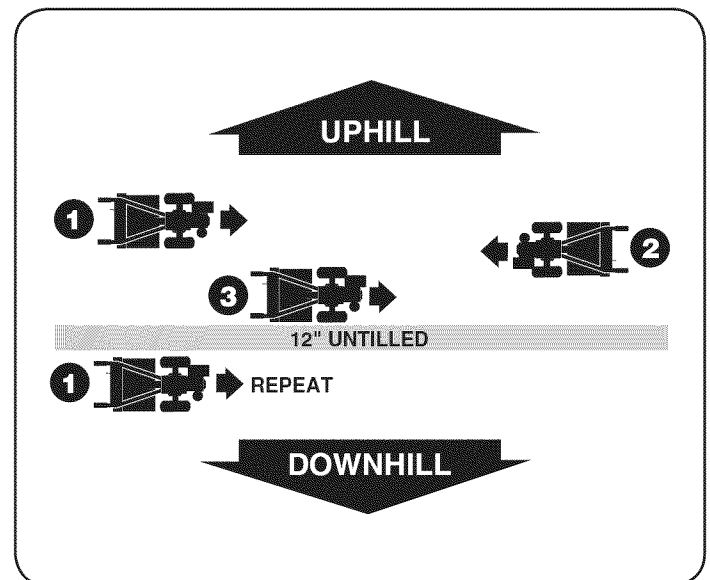


Figure 20

2. Each succeeding lower terrace is started by walking below the terrace you are preparing. For added stability of the tiller, always keep the uphill wheel in the soft, newly tilled soil. Do not till the last 12" or more of the downhill outside edge of each terrace. This untilled strip helps prevent the terraces from breaking apart and washing downhill. It also provides a walking path between the rows.

SERVICE AND MAINTENANCE

MAINTENANCE SCHEDULE

⚠ WARNING

Before performing any type of maintenance/service, disengage all controls and stop the engine. Wait until all moving parts have come to a complete stop. Disconnect spark plug wire and ground it against the engine to prevent unintended starting. Always wear safety glasses during operation or while performing any adjustments or repairs.

Follow the maintenance schedule given below. This chart describes service guidelines only. Use the Service Log column to keep track of completed maintenance tasks. **To locate the nearest Sears Service Center or to schedule service, simply contact Sears at 1-800-4-MY-HOME®.**

Interval	Item	Service	Service Log
Each Use	<ol style="list-style-type: none"> Engine oil level Loose or missing hardware Engine and around muffler Air cleaner 	<ol style="list-style-type: none"> Check Tighten or replace Clean Check 	
1st 2 hours	<ol style="list-style-type: none"> Drive belt tension Nuts and Bolts 	<ol style="list-style-type: none"> Check Check 	
1st 5 hours	<ol style="list-style-type: none"> Engine oil 	<ol style="list-style-type: none"> Change 	
Every 10 hours	<ol style="list-style-type: none"> Drive belt tension Unit 	<ol style="list-style-type: none"> Check Lubricate 	
Every 25 hours	<ol style="list-style-type: none"> Spark plug 	<ol style="list-style-type: none"> Check 	
Every 30 hours	<ol style="list-style-type: none"> Tines for wear Tire pressure 	<ol style="list-style-type: none"> Check Check 	
Every 50 hours	<ol style="list-style-type: none"> Engine oil† 	<ol style="list-style-type: none"> Change 	
Every 100 hours	<ol style="list-style-type: none"> Air cleaner Spark Plug 	<ol style="list-style-type: none"> Change Change 	
Before Storage	<ol style="list-style-type: none"> Fuel system 	<ol style="list-style-type: none"> Run engine until it stops from lack of fuel or add a gasoline additive to the gas in the tank. 	

† Change oil every twenty five hours when operating engine under heavy load or in high temperatures

⚠ WARNING

Always stop engine and disconnect spark plug wire before performing any maintenance or adjustments. Always wear safety glasses during operation or while performing any adjustments or repairs.

GENERAL RECOMMENDATIONS

- Always observe all safety rules found on product labels and in this operator's manual when performing any maintenance. Safety rules can be found on the product labels and in this Operator's Manual beginning on page 3.
- The warranty on this tiller does not cover items that have been subjected to operator abuse or negligence. To receive full value from warranty, operator must maintain the equipment as instructed here.
- Some adjustments will have to be made periodically to maintain your unit properly.
- Periodically check all fasteners and make sure these are tight.

ENGINE MAINTENANCE

Checking the Spark Plug

⚠ WARNING

DO NOT check for spark with spark plug removed. DO NOT crank engine with spark plug removed.

⚠ WARNING

If the engine has been running, the muffler will be very hot. Be careful not to touch the muffler.

⚠ CAUTION

The spark plug must be securely tightened. An improperly tightened spark plug can become very hot and may damage the engine.

To ensure proper engine operation, the spark plug must be properly gapped and free of deposits. Check the spark plug every 25 hours and replace it every 100 hours.

SERVICE AND MAINTENANCE

1. Remove the spark plug boot and use a spark plug wrench to remove the plug. See Figure 21.

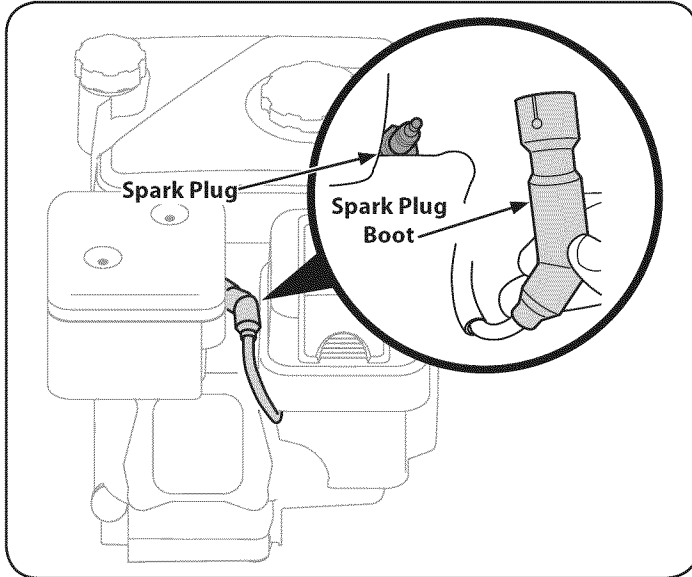


Figure 21

2. Visually inspect the spark plug. Discard the spark plug if there is apparent wear, or if the insulator is cracked or chipped. Clean the spark plug with a wire brush if it is to be reused.
3. Measure the plug gap with a feeler gauge. Correct as necessary by bending side electrode. See Figure 22. The gap should be 0.030".

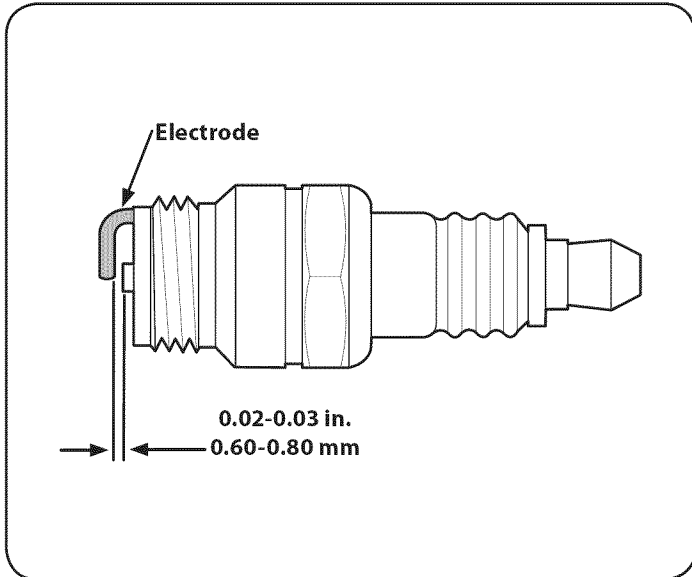


Figure 22

4. Check that the spark plug washer is in good condition and thread the spark plug in by hand to prevent cross-threading.
5. After the spark plug is seated, tighten with a spark plug wrench to compress the washer.

NOTE: When installing a new spark plug, tighten 1/2 turn after the spark plug seats to compress the washer. When reinstalling a used spark plug, tighten 1/8-1/4 turn after the spark plug seats to compress the washer.

Servicing the Air Cleaner

⚠ WARNING

Never use gasoline or low flash point solvents for cleaning the air cleaner element. A fire or explosion could result.

The air cleaner prevents damaging dirt, dust, etc., from entering the carburetor and being forced into the engine and is important to engine life and performance. Never run the engine without an air cleaner completely assembled. Check the air cleaner before each use.

Paper filters cannot be cleaned and must be replaced once a year or every 100 operating hours; more often if used in extremely dusty conditions.

1. Press the tab on the air filter cover, lift the cover and remove the air filter. See Figure 23.

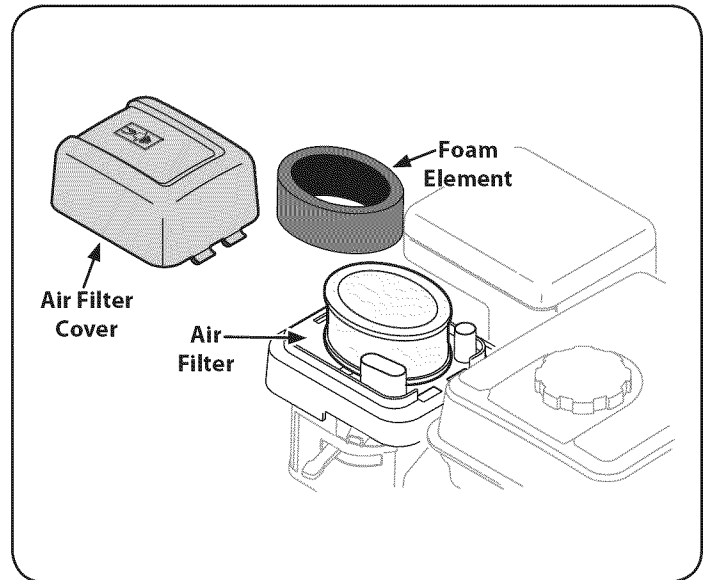


Figure 23

2. Discard old air filter.
3. Install new air filter.
4. Close the cover.

NOTE: If the filter is torn or damaged in any way, replace it.

Cleaning the Engine

⚠ CAUTION

Do not spray engine with water to clean because water could contaminate fuel. Using a garden hose or pressure washing equipment can also force water into the muffler opening. Water that passes through the muffler can enter the cylinder, causing damage.

⚠ WARNING

Accumulation of debris around muffler could cause a fire. Inspect and clean before every use.

If the engine has been running, allow it to cool for at least half an hour before cleaning. Periodically remove dirt build-up from the engine. Clean around the muffler. Clean with a brush or compressed air.

SERVICE AND MAINTENANCE

Check Engine Oil

1. Check oil before each use. Stop engine and wait several minutes before checking oil level. With engine on level ground, the oil must be to FULL mark on dipstick.
2. Refer to the Assembly section of this manual for instructions on checking the oil.

Change Engine Oil

- Refer to the viscosity chart (Figure 24) for oil recommendations. Do not over-fill. Use a 4-stroke, or an equivalent high detergent, premium quality motor oil certified to meet or exceed U.S. automobile manufacturer's requirements for service classification of a minimum level SF or SG (higher letter ratings are acceptable such as SJ, SL and SM grades). Motor oil will display this designation on the container.

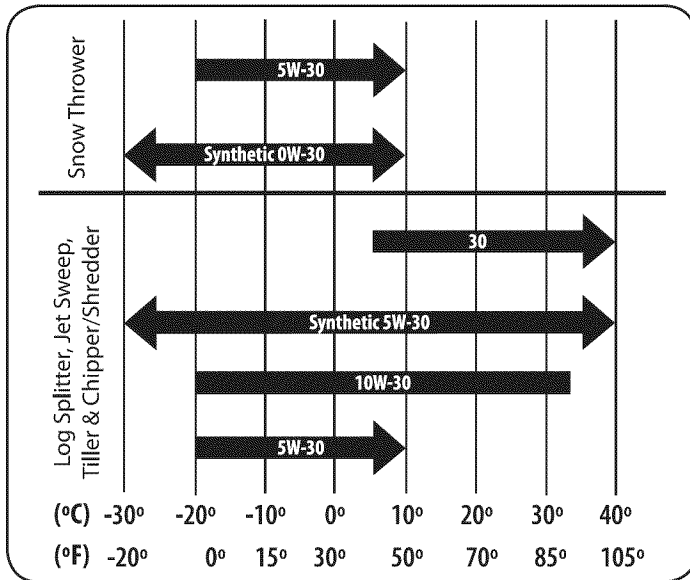


Figure 24

NOTE: Do not use non-detergent oil or 2-stroke engine oil. It could shorten the engine's service life.

- Change engine oil after the first five to eight hours of operation, and every fifty hours or every season thereafter. Change oil every twenty five hours when operating engine under heavy load or in high temperatures.

To Drain Oil

⚠ WARNING

Used oil is a hazardous waste product. Dispose of used oil properly. Do not discard with household waste. Check with your local authorities or Sears Service Center for safe disposal/recycling facilities.

⚠ WARNING

Before tipping engine or equipment to drain oil, drain fuel from tank by running engine until fuel tank is empty.

⚠ WARNING

Used motor oil may cause skin cancer if repeatedly left in contact with the skin for prolonged periods. Although this is unlikely unless you handle used oil on a daily basis, it is still advisable to thoroughly wash your hands with soap and water as soon as possible after handling used oil.

1. Drain the fuel from the tank by running the engine until the fuel tank is empty. Be sure fuel fill cap is secure.
2. With engine OFF but still warm, disconnect spark plug wire and keep it away from spark plug.
3. Remove oil drain end cap located at the base of the engine, and drain oil into an appropriate receptacle. See Figure 25.

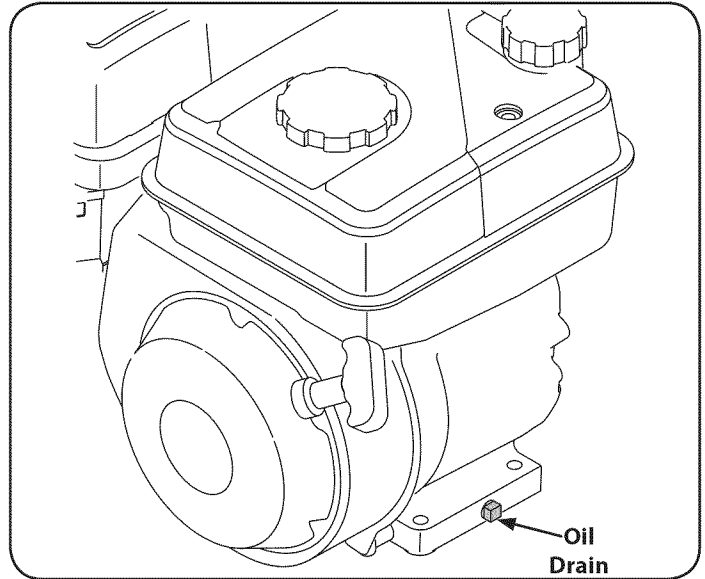


Figure 25

4. Replace and tighten the oil drain end cap.
5. When engine is drained of all oil, place engine level. Refill with approximately 20 oz. of fresh oil. Fill to FULL line on dipstick. Do not overfill. Refer to Check Engine Oil in this SERVICE & MAINTENANCE section.
6. Replace spark plug wire before starting.

LUBRICATION

After every 10 operating hours, oil or grease the lubrication points. Use clean lubricating oil (#30 weight motor oil is suitable) and clean general purpose grease (grease containing a metal lubricant is preferred, if available).

- Remove the tines and clean the tine shaft. Use a file or sandpaper to gently remove any rust, burrs or rough spots (especially around the holes in the shaft). Apply grease to the ends of the shaft before installing the tines.
- Remove the belt cover and lubricate all the pivot points and linkages with a light coat of oil. Keep the belts free of lubrication.
- The chain case is pre-lubricated and sealed at the factory and requires no maintenance.

HARDWARE

Check for loose or missing hardware after every 10 operating hours and tighten or replace — as needed — before reusing the tiller. Be sure to check the screws underneath the tiller hood that secure the transmission cover and the Depth Regulator Lever to the transmission.

SERVICE AND MAINTENANCE

BELT REPLACEMENT

⚠ WARNING

Before performing any type of maintenance on the machine, wait for all parts to stop moving and disconnect the spark plug wire. Failure to follow this instruction could result in personal injury or property damage.

If the drive belt needs to be replaced, make sure you use only a factory authorized belt listed in the Parts pages of this operator's manual, as an "over-the-counter" belt may not perform satisfactorily. The procedure requires average mechanical ability and commonly available tools.

To replace the Drive belt, follow these steps:

1. Remove the belt cover from the left side of the tiller by removing the two self tapping screws and hex stop nut and washer. See Figure 26.

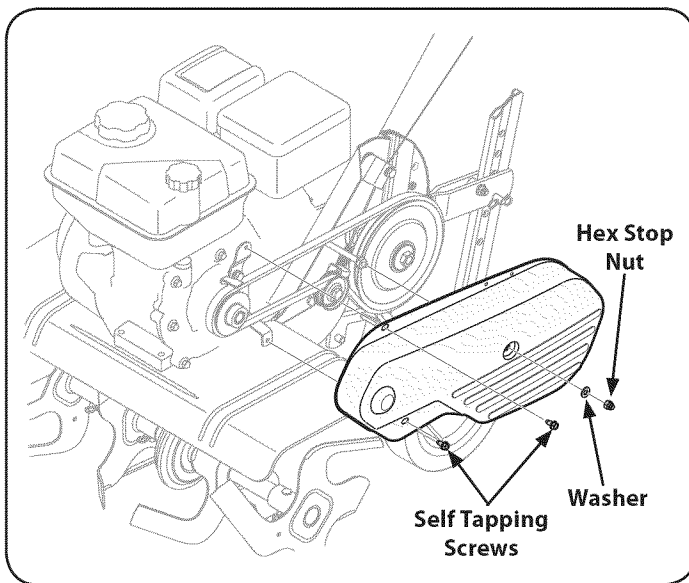


Figure 26

2. Remove the idler pulley bolt and move the belt from under the idler pulley keeper. See Figure 27.

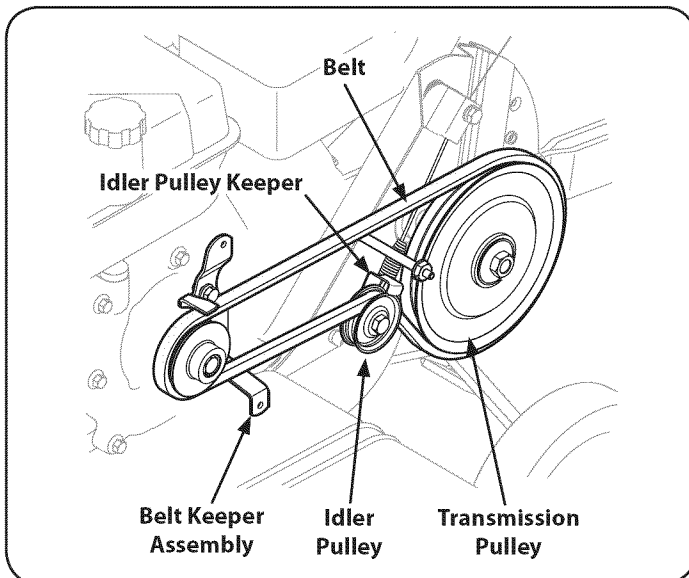


Figure 27

3. Remove the belt keeper assembly located behind the engine pulley by removing the two hex bolts and lock washers. See Figure 27.
4. Remove the old belt from around the transmission pulley and install the new belt. See Figure 27.
5. Follow the instructions in reverse order to re-install the belt keeper and idler pulley.

NOTE: Upon reassembly, make certain that the idler pulley keeper is as shown in Figure 27. Take note of the notch on the bottom of the keeper and the alignment when reassembling with the replacement belt.

NOTE: After re-installing the belt, double-check the cable adjustment. Refer to the Assembly section for instructions on adjusting the cable.

TINES

The tines will wear with use and should be inspected at the beginning of each tilling season and after every 30 operating hours. The tines can be replaced. Refer to the Parts List section of this manual for part numbers.

Tine Inspection

With use, the tines will become shorter, narrower and pointed. Badly worn tines will result in a loss of tilling depth, and reduced effectiveness when chopping up and turning under organic matter.

Removing/Installing a Tine Assembly

1. A tine assembly consists of a left hand tine and a right hand tine.
NOTE: The sharp edges of the tines are positioned to enter the soil first when rotating. Note this position of the tines for reinstallation of the new tine assemblies.
2. To remove a tine assembly, simply remove the cotter pin securing the clevis pin for each tine. See Figure 28.

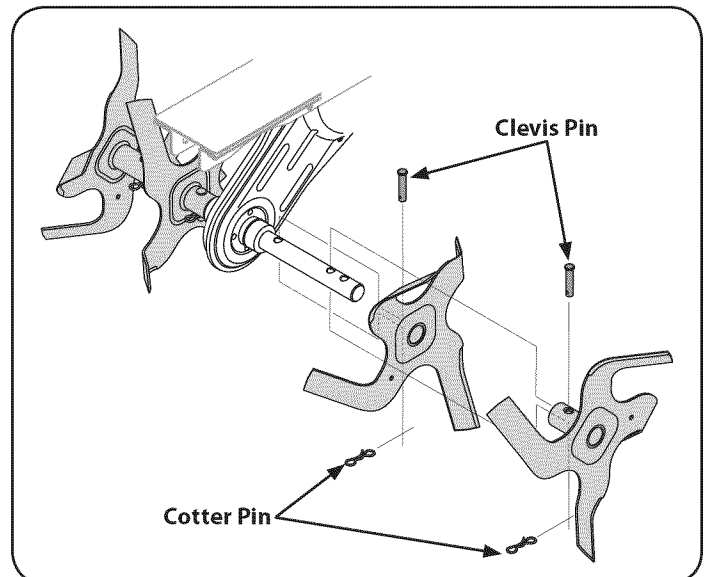


Figure 28

3. Remove the clevis pin for each tine, and slide the assembly to the outside of the unit and off of the tine shaft.
4. Before reinstalling the tine assembly, inspect the tine shaft for rust, rough spots or burrs. Lightly file or sand, as needed. Apply a thin coat of grease to the shaft.
5. Install each tine of the assembly so that the cutting (sharp) edge of the tines will enter the soil first when the tiller moves forward.

OFF-SEASON STORAGE

WARNING

Never store tiller with fuel in tank indoors or in poorly ventilated areas where fuel fumes may reach an open flame, spark, or pilot light as on a furnace, water heater, clothes dryer, or gas appliance.

PREPARING THE ENGINE

WARNING

Never leave engine unattended while it is running.

Engines stored between 30 and 90 days need to be treated with a gasoline stabilizer and engines stored over 90 days need to be drained of fuel to prevent deterioration and gum from forming in fuel system or on essential carburetor parts. If the gasoline in your engine deteriorates during storage, you may need to have the carburetor, and other fuel system components, serviced or replaced.

1. Remove all fuel from tank by running engine until it stops from lack of fuel.
2. Change the oil. See Change Engine Oil in SERVICE AND MAINTENANCE section.
3. Remove spark plug and pour about a 1/2 ounce of engine oil into the cylinder. Replace spark plug and crank it slowly to distribute oil.
4. Clean debris from around the engine and the muffler. Touch up any damaged paint, and coat other areas that may rust with a light film of oil.
5. Store in a clean, dry and well ventilated area away from any appliance that operates with a flame or pilot light, such as a furnace, water heater, or clothes dryer. Also avoid any area with a spark producing electric motor, or where power tools are operated.
6. If possible, also avoid storage areas with high humidity, because that promotes rust and corrosion.
7. Keep the engine level in storage. Tilting can cause fuel or oil leakage.

PREPARING THE TILLER

When the tiller won't be used for an extended period, prepare it for storage as follows:

1. Clean the tiller and engine.
2. Follow the lubrication recommendations and check for loose parts and hardware.
3. Store the tiller in a clean, dry area.
4. Never store the tiller with fuel in the fuel tank in an enclosed area where gas fumes could reach an open flame or spark, or where ignition sources are present (space heaters, hot water heaters, furnaces, etc.).

TROUBLESHOOTING

⚠ WARNING

Before performing any type of maintenance/service, disengage all controls and stop the engine. Wait until all moving parts have come to a complete stop. Disconnect spark plug wire and ground it against the engine to prevent unintended starting. Always wear safety glasses during operation or while performing any adjustments or repairs.

Problem	Cause	Remedy
Engine fails to start	<ol style="list-style-type: none"> 1. Spark plug wire disconnected. 2. Engine Throttle Control Lever incorrectly set. 3. Fuel tank empty or stale fuel. 4. Dirty air filter. 5. Defective or incorrectly gapped spark plug. 6. Misadjusted throttle control. 7. Dirt or water in fuel tank. 	<ol style="list-style-type: none"> 1. Reconnect wire. 2. Put lever in START position. 3. Fill tank with clean, fresh gasoline. 4. Clean or replace filter. 5. Clean, adjust gap, or replace. 6. Contact your Sears Parts & Repair Center. 7. Contact your Sears Parts & Repair Center.
Engine runs erratically	<ol style="list-style-type: none"> 1. Defective or incorrectly gapped spark plug. 2. Dirty air filter(s). 3. Carburetor out of adjustment. 4. Stale gasoline. 5. Dirt or water in fuel tank. 6. Engine cooling system clogged. 	<ol style="list-style-type: none"> 1. Clean, adjust gap, or replace. 2. Clean or replace. 3. Contact your Sears Parts & Repair Center. 4. Replace with fresh gasoline. 5. Contact your Sears Parts & Repair Center. 6. Clean air cooling system.
Engine overheats	<ol style="list-style-type: none"> 1. Engine cooling system clogged. 2. Carburetor out of adjustment. 3. Oil level is low. 	<ol style="list-style-type: none"> 1. Clean air cooling area. 2. Contact your Sears Parts & Repair Center. 3. Check oil level.
Engine does not shut off	<ol style="list-style-type: none"> 1. Misadjusted throttle control or ignition switch. 	<ol style="list-style-type: none"> 1. Contact your Sears Parts & Repair Center.
Tines will not turn	<ol style="list-style-type: none"> 1. Improper use of controls. 2. Worn, broken, or misadjusted drive belt. 3. Foreign object lodged in tines. 4. Tine clevis pin(s) missing. 	<ol style="list-style-type: none"> 1. Review Operation section. 2. Replace or adjust belt. 3. Dislodge foreign object. 4. Replace tine clevis pin(s).
Poor tilling performance	<ol style="list-style-type: none"> 1. Worn tines. 2. Incorrect throttle setting. 3. Drive Belt slipping. 	<ol style="list-style-type: none"> 1. Replace Tines. 2. See Service & Maintenance Section. 3. See Service & Maintenance Section.

NEED MORE HELP?

You'll find the answer and more on managemylife.com – for free!

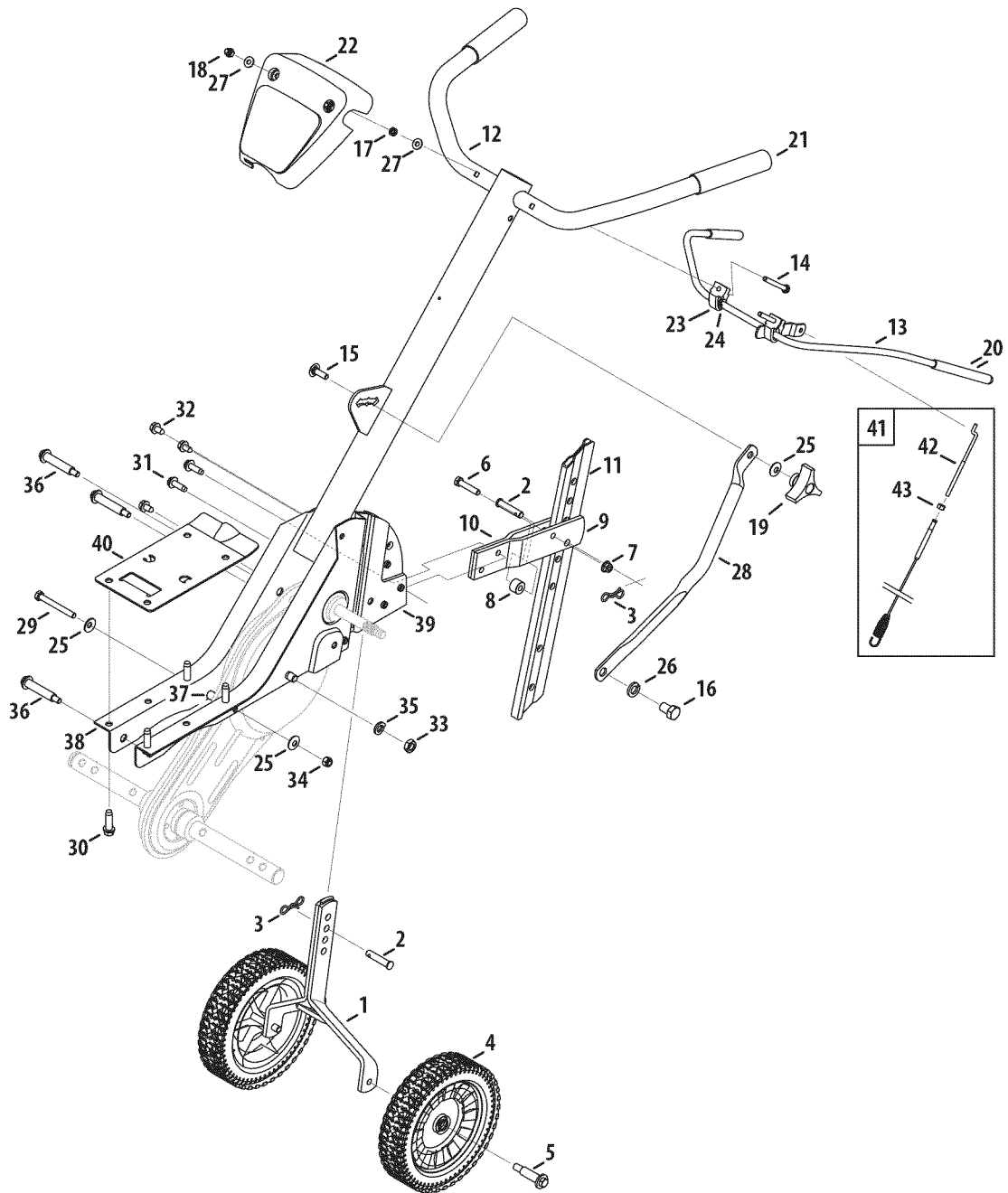
- Find this and all your other product manuals online.
- Get answers from our team of home experts.
- Get a personalized maintenance plan for your home.
- Find information and tools to help with home projects.



brought to you by Sears

PARTS LIST

Craftsman Tiller — Model No. 247.299341



PARTS LIST

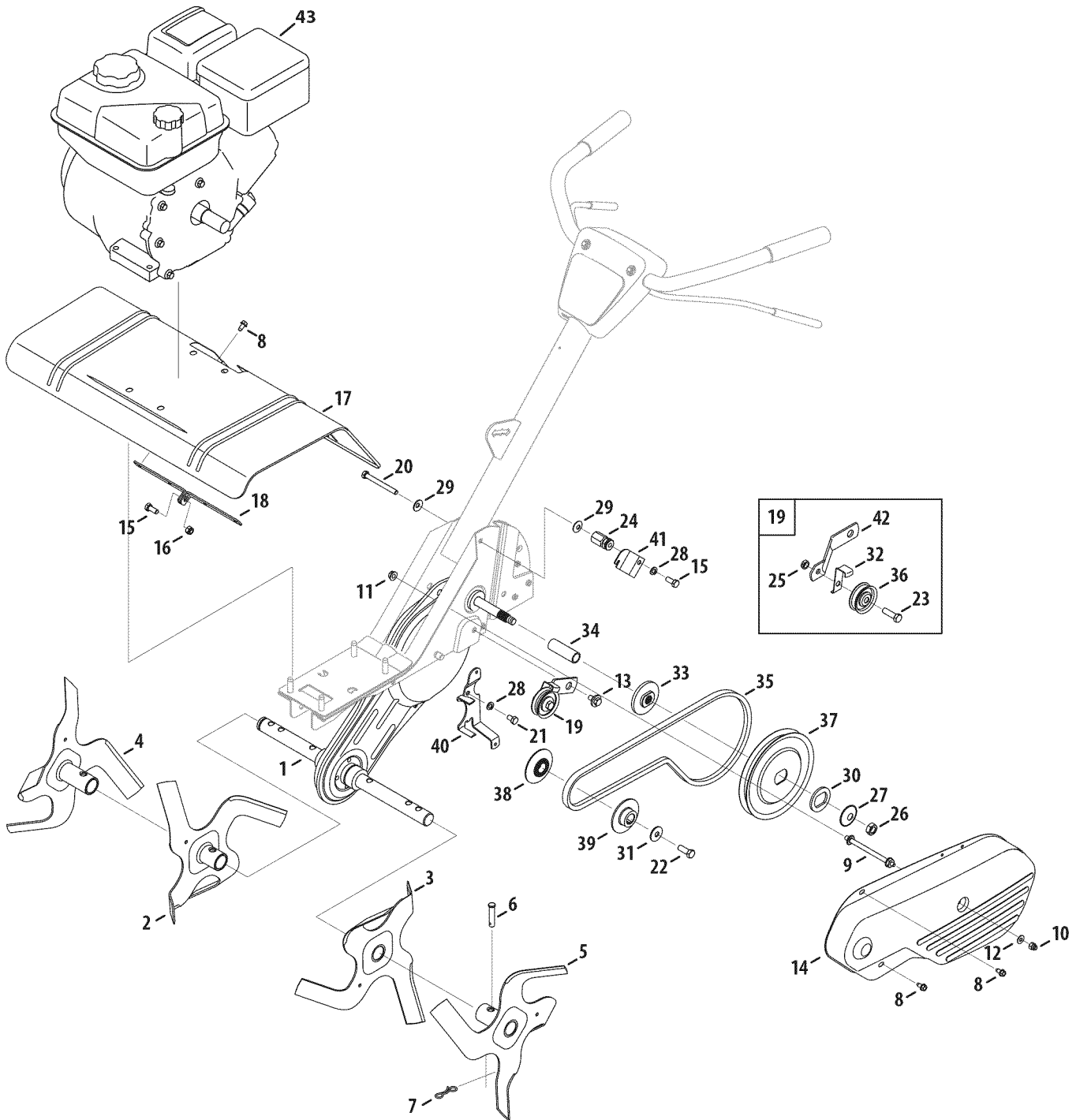
Craftsman Tiller — Model No. 247.299341

Ref. No.	Part No.	Description
1	686-0081A-0637	Wheel Bracket Assembly
2	911-0415	Clevis Pin, .375 x 1.75
3	714-04043	Bow Tie Cotter Pin
4	734-04547	Complete Wheel Assy. 8 x 1.75
5	738-0929	Shoulder Screw, .496 x 1.445 3/8-16
6	710-0805	Hex Head Screw, 5/16-18 x 1.50
7	712-04063	Nut, 5/16-18, Flange Lock
8	750-0890	Spacer, .325 ID x .75 OD x .520
9	786-0003-0637	Tail Bracket, LH
10	786-0004-0637	Tail Bracket, RH
11	786-0005-0637	Depth Bar
12	649-04040-4044	Complete Handle Assembly
13	686-0083-0637	Clutch Bail
14	710-0641	Hex Head Screw, 1/4-20 x 2.25
15	710-1236	Carriage Screw, 5/16-18 x 1.00
16	710-3194	Hex Head Screw, 1/2-20 x .750
17	912-0298	Jam Nut, 1/4-20
18	912-0442	Nut, 1/4-20, Lock
19	720-0195	Handle Knob
20	720-0269	Grip, Clutch Bail
21	720-0274	Grip, Handle
22	731-06253A	Handle Cover

Ref. No.	Part No.	Description
23	931-1645B	Clutch Bail Holder
24	936-0140	Flat Washer, .385 x .62 x .063
25	736-0242	Bell Washer, .340 x .872 x .060
26	936-0921	Lock Washer, 1/2
27	936-3020	Flat Washer, .271 x .630 x .065
28	749-1401A-4044	Handle Brace
29	710-0176	Hex Head Screw, 5/16-18 x 2.75
30	710-0502A	SEMS Screw, 3/8-16
31	710-0602	Self-Tapping Screw, 5/16-18 x 1.00
32	710-0604A	Self-Tapping Screw, 5/16-18 x .625
33	912-0240	Jam Nut, 7/16-20
34	912-0429	Nylon Hex Lock Nut, 5/16-18
35	936-0171	Lock Washer, 7/16
36	738-0934	Shoulder Screw, .475 x 2.11 5/16-18
37	750-0470	Spacer, .47 OD x .96
38	786-0138A-4044	Frame, RH
39	786-0139A-4044	Frame, LH
40	786-0145A-4044	Engine Mounting Plate
41	946-0918	Forward Clutch Cable
42	946-0778	Z-Fitting (incl. Ref 43)
43	712-0121	Jam Nut

PARTS LIST

Craftsman Tiller — Model No. 247.299341



PARTS LIST

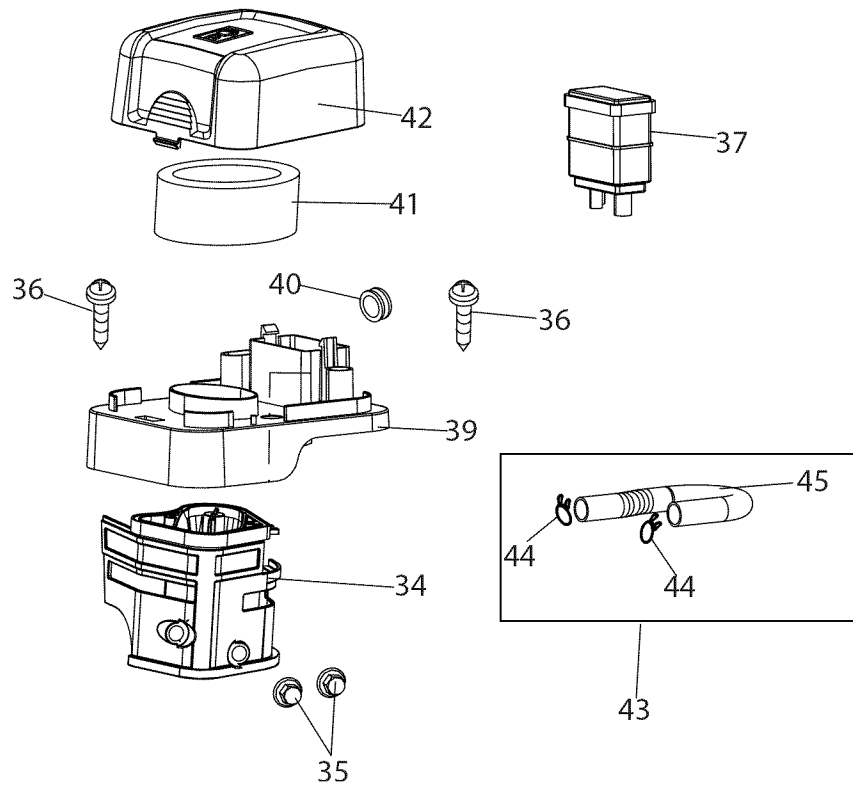
Craftsman Tiller — Model No. 247.299341

Ref. No.	Part No.	Description
1	986-0091	Chain Case Assembly
2	642-0002-0637	Inner Tine Assembly, RH
3	642-0003-0637	Inner Tine Assembly, LH
4	642-0004-0637	Outer Tine Assembly, RH
5	642-0005-0637	Outer Tine Assembly, LH
6	911-0415	Clevis Pin, .375 x 1.75
7	714-04043	Bow Tie Cotter Pin
8	710-0599	Screw, 1/4-20 x 0.500
9	711-0919	Bolt, Belt Cover
10	712-0392	Nut, 1/4-28, Lock
11	712-3004A	Nut, 5/16-18, Flange Lock
12	936-3020	Flat Washer, .271 x .630 x .065
13	738-0930	Shoulder Screw, .560 x .165 5/16-18
14	786-0056-4044	Belt Cover
15	710-3008	Hex Head Screw, 5/16-18 x .75
16	712-04063	Nut, 5/16-18, Flange Lock
17	786-0043A-4044	Tine Shield
18	786-0053-0637	Bracket, Tine Shield
19	686-0088	Idler Bracket Assembly
20	710-0189	Hex Head Screw, 5/16-18 x 3.00
21	710-0237	Hex Head Screw, 5/16-24 x .625
22	710-1039	Hex Head Screw, 3/8-24 x 1.00

Ref. No.	Part No.	Description
23	710-3005	Hex Head Screw, 3/8-16 x 1.25
24	711-1036A	Hex Nut, 5/16-18
25	712-0266A	Jamlock Nut, 3/8-16
26	712-3029	Nut, 1/2-20, Jam
27	736-0112	Washer, .531 x 1.62 x .045
28	936-0119	Lock Washer, 5/16
29	736-0242	Bell Washer, .340 x .872 x .060
30	736-0312	Flat Washer, 1.26 x 1.87 x .150
31	936-0452	Bell Washer, .396 x 1.140 x .095
32	786-0149	Belt Keeper
33	948-0350	Pulley Adaptor
34	950-0892	Spacer, .64 ID x 2.4
35	954-0428	Belt, 4L x 41.9 LG
36	756-0313	Pulley 1.88 OD
37	756-0585	Pulley 6.00 OD
38	756-0971	Inner Engine Pulley
39	756-0972	Outer Engine Pulley
40	786-0039B-0637	Belt Keeper Bracket
41	786-0129-0637	Cable Guide Bracket
42	786-0144-0637	Idler Bracket
43	952Z170-VU	Replacement Engine

PARTS LIST

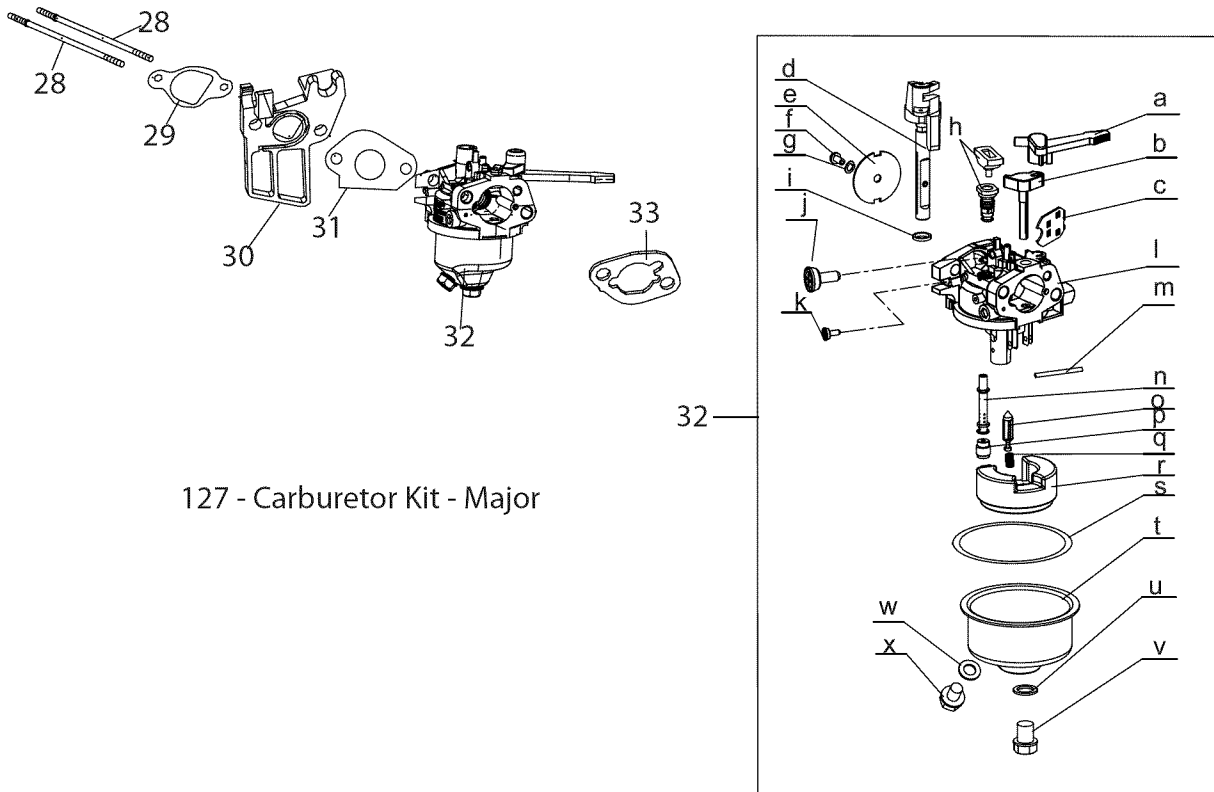
Craftsman Engine Model 170-VU For Tiller Model 247.299341



Ref.	Part No.	Description
34	951-10806	Air Cleaner Housing
35	712-04213	Nut
36	951-14068	Self-Tapping Bolt M4.2x16
37	951-14069	Carbon Canister
39	951-14070	Silencer Plate
40	750-05314	Rubber Shock Pad
41	951-10794	Air Filter Assembly
42	951-14071	Air Filter Cover
43	951-14072	Primer Hose
44	951-14073	Clamp
45	951-14074	Exhaust Piping

PARTS LIST

Craftsman Engine Model 170-VU For Tiller Model 247.299341



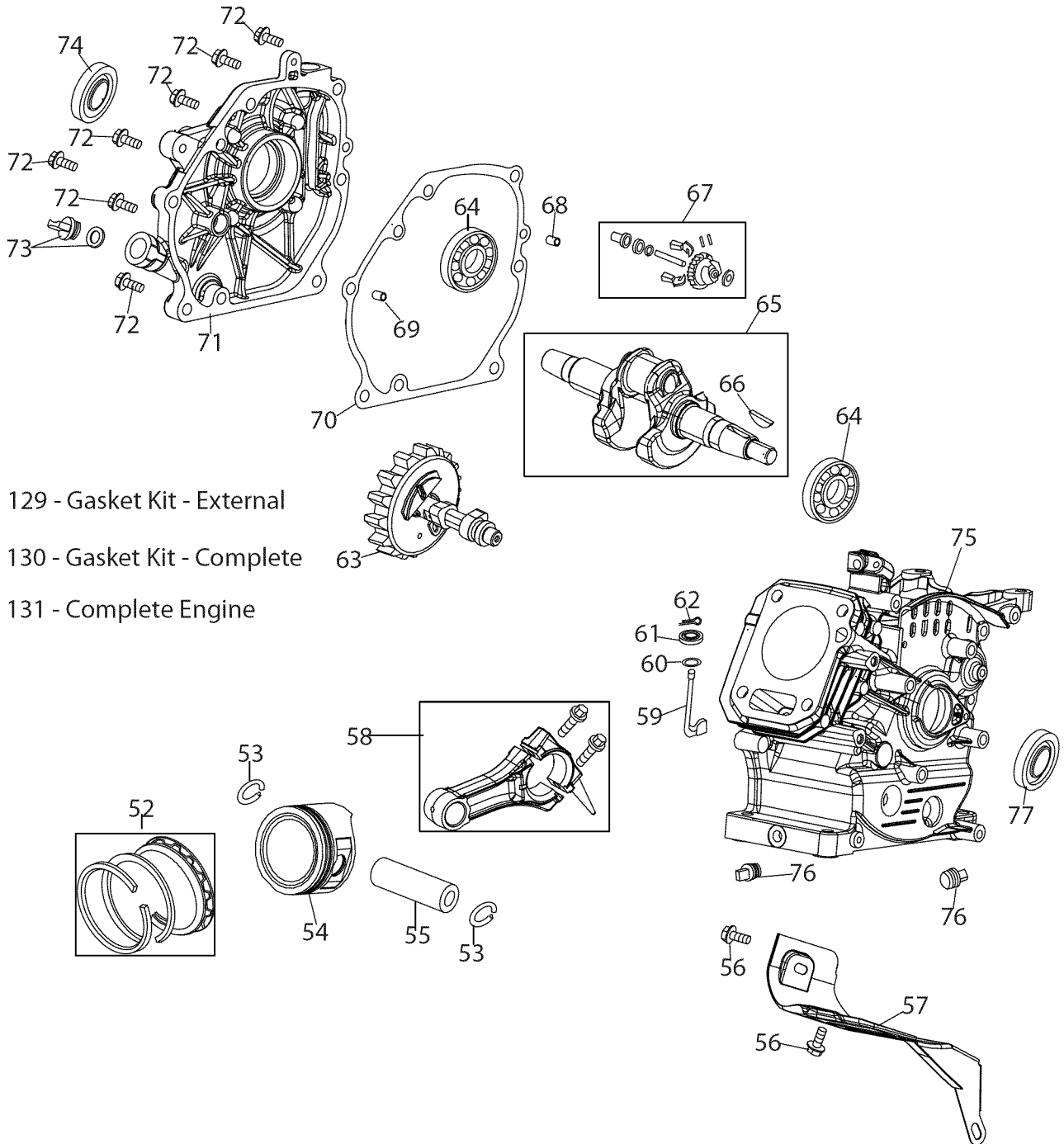
127 - Carburetor Kit - Major

Ref.	Part No.	Description
28	710-05101	Stud M6x110
29	951-11567	Carburetor Insulator Gasket
30	951-11568	Carburetor Insulator
31	951-11569A	Carburetor Gasket
32	951-12124	Carburetor Assembly
33	951-11571	Carburetor Gasket Plate
127	951-12119A	Carburetor Kit - Major (Incl.h,i,j,m,n,o,p,q,r,s,u,w)
a	951-11177	Control Lever,Choke
b	n/a	Choke Shaft
c	n/a	Choke Plate
d	n/a	Throttle Shaft
e	n/a	Throttle Plate
f	n/a	Screw M3x5
g	736-04638	Lock Washer
h	n/a	Idle Jet Assembly

Ref.	Part No.	Description
i	n/a	Gasket, Throttle Plate
j	n/a	Idle Speed Adjusting Screw
k	n/a	Mixture Screw
l	n/a	Carburetor Body
m	n/a	Float Pin
n	n/a	Emulsion Tube
o	n/a	Needle Valve
p	n/a	Main Jet
q	n/a	Needle Valve Spring
r	n/a	Float
s	951-11589	Fuel Bowl Gasket
t	n/a	Fuel Bowl
u	951-11348	Fuel Bowl Gasket
v	710-04945	Fuel Bowl Mounting Bolt
w	951-11349	Fuel Drain Plug Gasket
x	710-04938	Fuel Drain Plug

PARTS LIST

Craftsman Engine Model 170-VU For Tiller Model 247.299341



129 - Gasket Kit - External

130 - Gasket Kit - Complete

131 - Complete Engine

PARTS LIST

Craftsman Engine Model 170-VU For Tiller Model 247.299341

Ref.	Part No.	Description
52	951-12111	Piston Ring Set
53	951-11632	Piston Pin Snap Ring
54	951-12007	Piston
55	951-11633	Piston Pin
56	710-04915	Bolt M6×12
57	951-11113	Air Shield
58	951-11573	Connecting Rod Assembly
59	951-11356	Governor Arm Shaft
60	736-04461	Washer 5.2×1.9
61	951-11574	Governor Seal
62	714-04074	Cotter Pin
63	951-11575	Camshaft Assy.
64	951-11369	Radial Ball Bearing, 6205
65	951-12160	Crankshaft Assembly
66	951-10307	Woodruff Key
67	951-11576	Governor Gear/Shaft Assembly
68	715-04092	Dowel Pin 7×14
69	715-04089	Dowel Pin 9×14
70	951-11371	Crankcase Cover Gasket
71	951-12125	Cover Comp, Left Crankcase
72	710-04932	Bolt M8×32
73	951-11283	Oil Plug
74	951-11578	Oil Seal, 25×41.25×6
75	951-12551	Short Block (Incl.6,22,29,30,46,48,49, 52,53,55,58-72,74-77)
76	951-12514	Oil Drain Plug
77	951-12126	Oil Seal 25×41.25×6
129	951-12573	Gasket Kit - External (Incl.6,22,29-31,33)
130	951-12572	Gasket Kit - Complete (Incl.6,22,29-31,33,46, 60,61,70,74,77)
131	952Z170-VU	Complete Engine

PARTS LIST

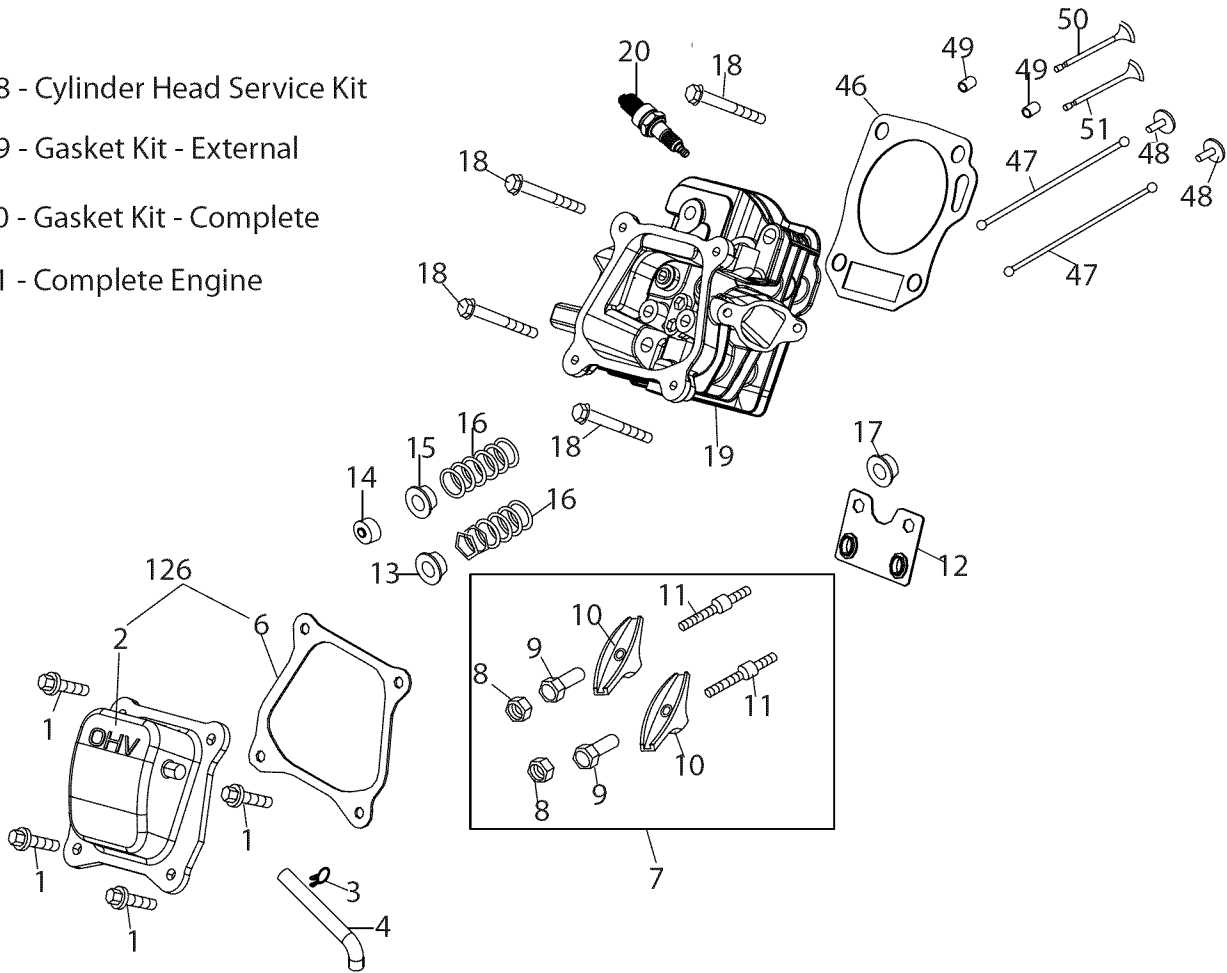
Craftsman Engine Model 170-VU For Tiller Model 247.299341

128 - Cylinder Head Service Kit

129 - Gasket Kit - External

130 - Gasket Kit - Complete

131 - Complete Engine



PARTS LIST

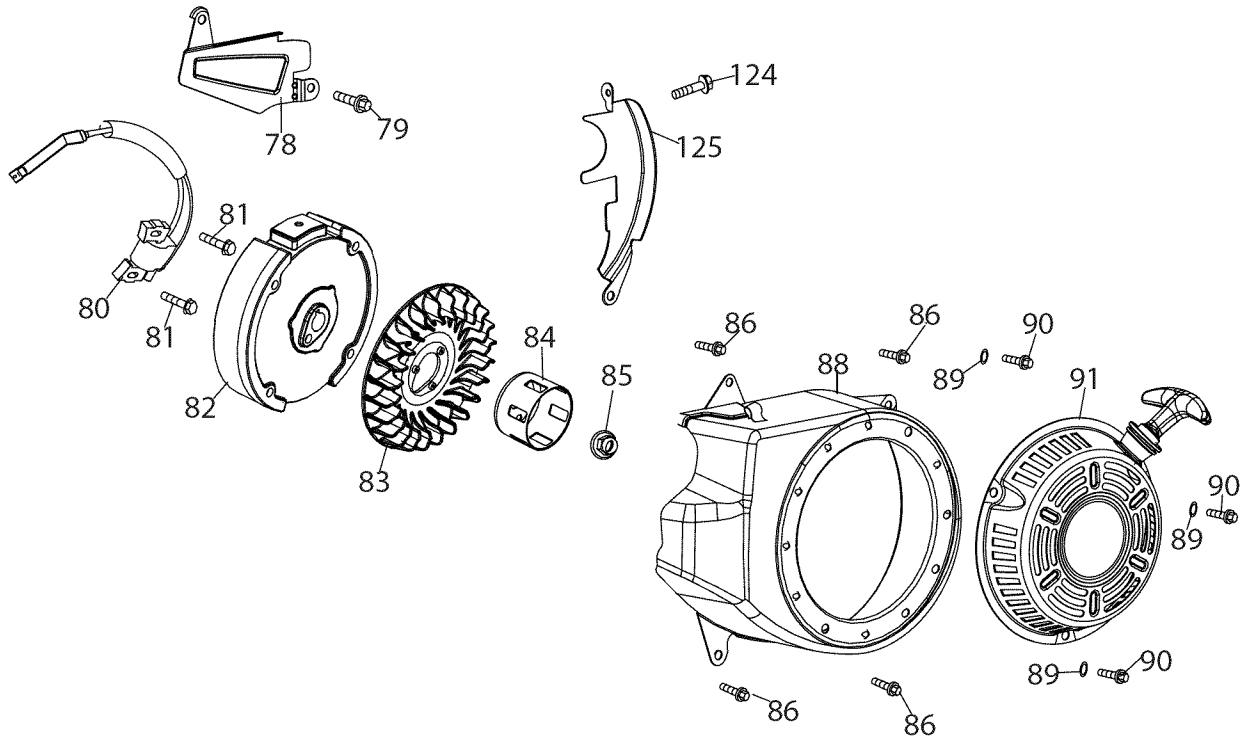
Craftsman Engine Model 170-VU For Tiller Model 247.299341

Ref.	Part No.	Description
1	710-04968	Bolt M6×16
2	951-11054	Valve Cover
3	726-04101	Breather Hose Clamp
4	731-07059	Exhaust Piping
6	951-11565	Valve Cover Gasket
7	951-11892	Rocker Arm Assembly
8	751-11124	Nut, Pivot Locking
9	751-11123	Adjusting Nut ,Valve
10	951-11893	Rocker Arm
11	710-04902	Bolt, Pivot
12	951-11895	Push Rod Guide
13	951-12000	Retainer, In.Valve Spring
14	951-12002	Adjuster, Exh Valve
15	951-12003	Retainer, Ex.Valve Spring
16	951-12004	Valve Spring
17	951-11894	Intake Valve Seal
18	710-04933	Bolt M8×55
19	951-10722A	Cylinder Head Assembly

Ref.	Part No.	Description
		(Incl.6,8-17,19,22,29, 30,46,50,51)
20	951-10292	Spark Plug/F6Rtc
46	951-11572	Gasket, Cylinder Head
47	951-10648	Push Rod Kit
48	951-11899	Tappet
49	715-04108	Dowel Pin 10×16
50	951-10647A	Valve Kit
51	951-10647A	Valve Kit
126	951-11063A	Valve Cover Kit
128	951-10819	Cylinder Head Service Kit (Incl.6,17,18,46)
129	951-12573	Gasket Kit - External (Incl.6,22,29-31,33)
130	951-12572	Gasket Kit - Complete (Incl.6,22,29-31,33,46, 60,61,70,74,77)
131	952Z170-VU	Complete Engine

PARTS LIST

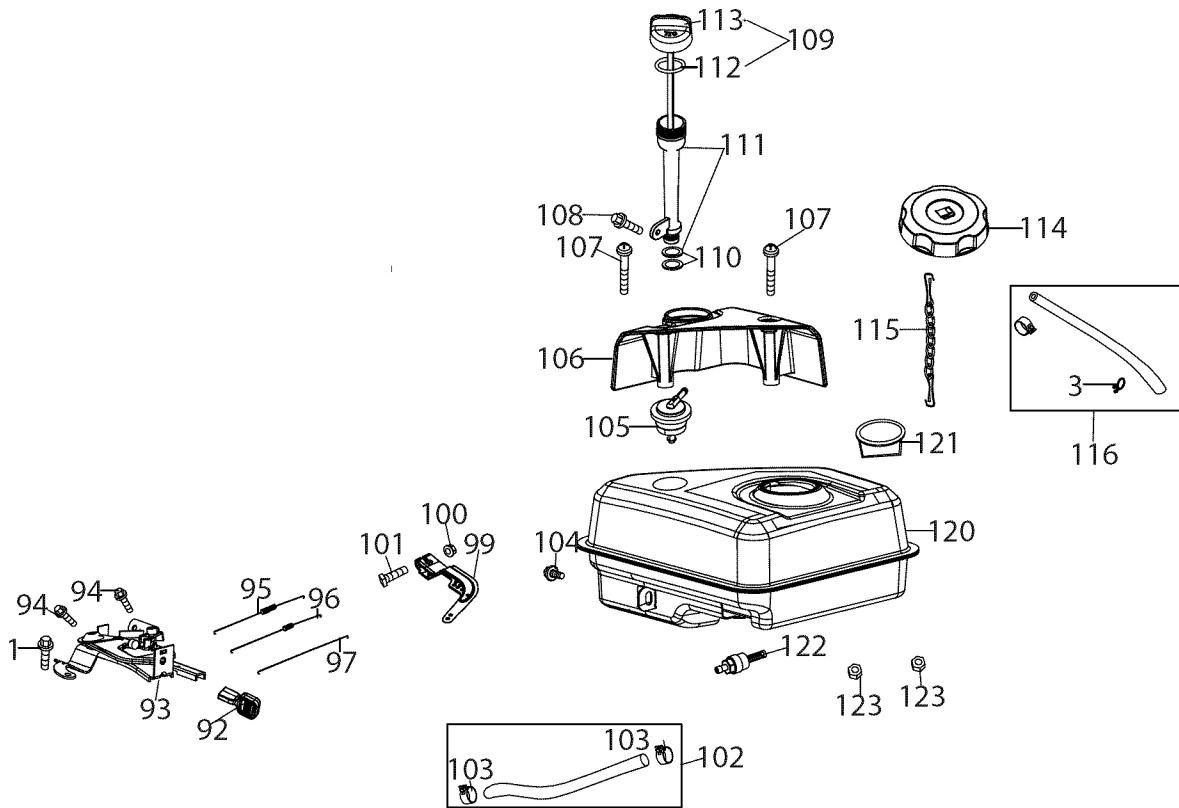
Craftsman Engine Model 170-VU For Tiller Model 247.299341



Ref.	Part No.	Description
78	951-11110	Air Flow Shield
79	710-04940	Bolt M6x10
80	951-10792	Ignition Coil Assembly
81	710-04919	Bolt M6x25
82	951-10805	Flywheel
83	951-10934	Fan, Cooling
84	951-10911	Pulley, Starter
85	712-04209	Nut, Special, M14x1.5
86	710-04915	Bolt M6x12
88	951-11583	Blower Housing
89	736-04455	Washer
90	710-04974	Bolt M6x10
91	951-12418	Recoil Starter
124	710-04918	Bolt M6x20
125	951-11109	Blower Housing Shield

PARTS LIST

Craftsman Engine Model 170-VU For Tiller Model 247.299341



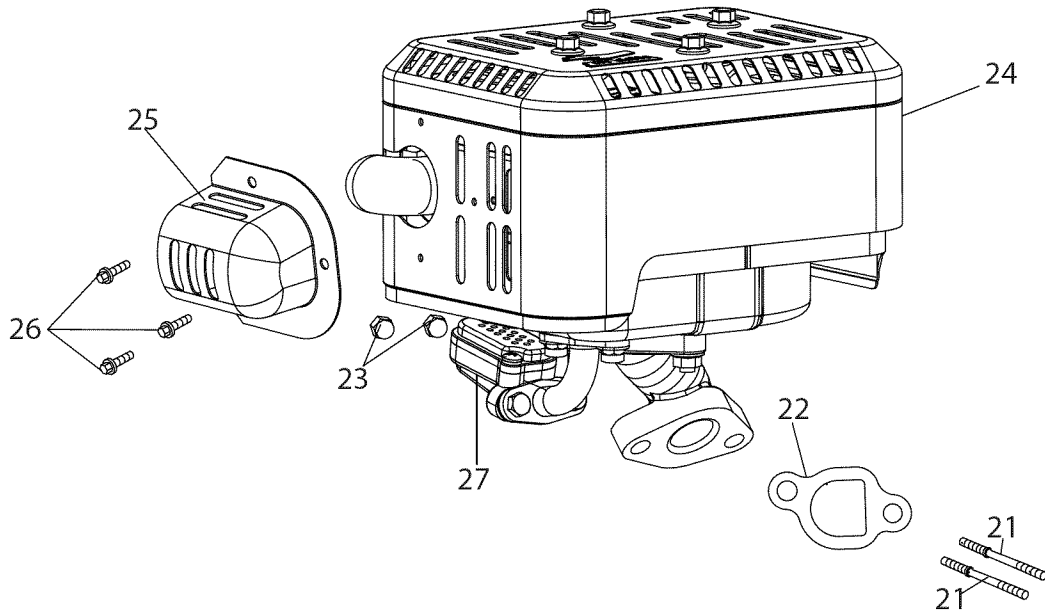
Ref.	Part No.	Description
1	710-04968	Bolt M6x16
3	726-04101	Breather Hose Clamp
92	951-11067	Throttle Control Knob
93	951-12131	Primer Bracket
94	710-05103	Bolt M6x12
95	951-11585	Governor Spring
96	951-10664	Throttle Linkage Spring
97	951-10665	Throttle Linkage
99	951-11106	Governor Arm
100	712-04212	Nut M6
101	710-04908	Governor Arm Bolt
102	951-10650	Fuel Line Kit
103	951-11700	Fuel Hose Clamp
104	710-04915	Bolt M6x12
105	951-14075	Rollover Valve

Ref.	Part No.	Description
106	951-11914	Dipstick Decoration Cover
107	710-04905	Bolt
108	710-04915	Bolt M6x12
109	951-12482	Dipstick Assembly
110	951-11381	Oil Fill Tube O-Ring
111	951-11913	Oil Fill Tube Assembly
112	951-11904	Oil Fill Tube O-Ring
113	951-11912	Dipstick Guage
114	951-12535	Cap Comp, Fuel
115	951-14076	Tether
116	751-14139	Primer Line Kit
120	951-14077	Fuel Tank Assembly
121	951-11933	Fuel Level Indicator
122	951-10651	Fuel Tank Nipple
123	712-04212	Nut, M6



PARTS LIST

Craftsman Engine Model 170-VU For Tiller Model 247.299341



Ref.	Part No.	Description
21	951-14063	Stud M8x38
22	951-11289	Exhaust Pipe Gasket
23	712-04214	Nut, M8
24	951-14067	Muffler Assembly
25	951-14078	Exhaust Pipe Shield
26	951-14079	Duct Bolt
27	951-12865	Secondary Air Valve

LABELS

Craftsman Tiller Model No. 247.299341

777D17067



777I23259



777I23174



777S33498



777D17064



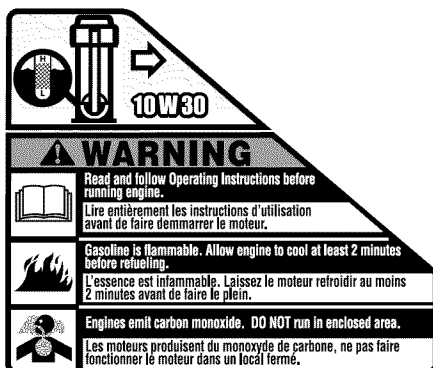
777D15447



777D15452



777S33612



777I20358



777I23449



(This page applicable in the U.S.A. and Canada only.)

**Sears Brands Management Corporation (Sears), the California Air Resources Board (CARB)
and the United States Environmental Protection Agency (U.S. EPA)
Emission Control System Warranty Statement (Owner's Defect Warranty Rights and Obligations)**

EMISSION CONTROL WARRANTY COVERAGE IS APPLICABLE TO CERTIFIED ENGINES PURCHASED IN CALIFORNIA IN 1995 AND THEREAFTER, WHICH ARE USED IN CALIFORNIA, AND TO CERTIFIED MODEL

YEAR 1997 AND LATER ENGINES WHICH ARE PURCHASED AND USED ELSEWHERE IN THE UNITED STATES (AND AFTER JANUARY 1, 2001 IN CANADA).

California and United States Emission Control Defects Warranty Statement

The California Air Resources Board (CARB), U.S. EPA and Sears are pleased to explain the Emission Control System Warranty on your model year 2000 and later small off-road engine (SORE). In California, new small off-road engines must be designed, built and equipped to meet the State's stringent anti-smog standards. Elsewhere in the United States, new non-road, spark-ignition engines certified for model year 1997 and later must meet similar standards set forth by the U.S. EPA. Sears must warrant the emission control system on your

engine for the periods of time listed below, provided there has been no abuse, neglect or improper maintenance of your small off-road engine. Your emission control system includes parts such as the carburetor, air cleaner, ignition system, muffler and catalytic converter. Also included may be connectors and other emission related assemblies. Where a warrantable condition exists, Sears will repair your small off-road engine at no cost to you including diagnosis, parts and labor.

Sears Emission Control Defects Warranty Coverage

Small off-road engines are warranted relative to emission control parts defects for a period of one year, subject to provisions set forth below. If any covered

part on your engine is defective, the part will be repaired or replaced by Sears.

Owner's Warranty Responsibilities

As the small off-road engine owner, you are responsible for the performance of the required maintenance listed in your Operating and Maintenance Instructions. Sears recommends that you retain all your receipts covering maintenance on your small off-road engine, but Sears cannot deny warranty solely for the lack of receipts or for your failure to ensure the performance of all scheduled maintenance. As the small off-road engine owner, you should however be aware that Sears may deny you warranty coverage if your small off-road engine or a part has failed due to abuse, neglect, improper maintenance or unap-

proved modifications. You are responsible for presenting your small off-road engine to an Authorized Sears Service Dealer as soon as a problem exists. The undisputed warranty repairs should be completed in a reasonable amount of time, not to exceed 30 days. If you have any questions regarding your warranty rights and responsibilities, you should contact a Sears Service Representative at 1-800-469-4663. The emission warranty is a defects warranty. Defects are judged on normal engine performance. The warranty is not related to an in-use emission test.

Sears Emission Control Defects Warranty Provisions

The following are specific provisions relative to your Emission Control Defects Warranty Coverage. It is in addition to the Sears engine warranty for non-regulated engines found in the Operating and Maintenance Instructions.

1. Warranted Parts

Coverage under this warranty extends only to the parts listed below (the emission control systems parts) to the extent these parts were present on the engine purchased.

- a. Fuel Metering System
 - Cold start enrichment system
 - Carburetor and internal parts
 - Fuel Pump
- b. Air Induction System
 - Air cleaner
 - Intake manifold
- c. Ignition System
 - Spark plug(s)
 - Magneto ignition system
- d. Catalyst System
 - Catalytic converter
 - Exhaust manifold
 - Air injection system or pulse valve
- e. Miscellaneous Items Used in Above Systems
 - Vacuum, temperature, position, time sensitive valves and switches
 - Connectors and assemblies

2. Length of Coverage

Sears warrants to the initial owner and each subsequent purchaser that the Warranted Parts shall be free from defects in materials and workmanship which caused the failure of the Warranted Parts for a period of one year from the date the engine is delivered to a retail purchaser.

3. No Charge

Repair or replacement of any Warranted Part will be performed at no charge to the owner, including diagnostic labor which leads to the determination that a Warranted Part is defective, if the diagnostic work is performed at an Authorized Sears Service Dealer. For emissions warranty service contact your nearest Authorized Sears Service Dealer as listed in the "Yellow Pages" under "Engines, Gasoline," "Gasoline Engines," "Lawn Mowers," or similar category.

4. Claims and Coverage Exclusions

Warranty claims shall be filed in accordance with the provisions of the Sears Engine Warranty Policy. Warranty coverage shall be excluded for failures of Warranted Parts which are not original Sears parts or because of abuse, neglect or improper maintenance as set forth in the Sears Engine Warranty Policy. Sears is not liable to cover failures of Warranted Parts caused by the use of add-on, non-original, or modified parts.

5. Maintenance

Any Warranted Part which is not scheduled for replacement as required maintenance or which is scheduled only for regular inspection to the effect of "repair or replace as necessary" shall be warranted as to defects for the warranty period. Any Warranted Part which is scheduled for replacement as required maintenance shall be warranted as to defects only for the period of time up to the first scheduled replacement for that part. Any replacement part that is equivalent in performance and durability may be used in the performance of any maintenance or repairs. The owner is responsible for the performance of all required maintenance, as defined in the Sears Operating and Maintenance Instructions.

6. Consequential Coverage

Coverage hereunder shall extend to the failure of any engine components caused by the failure of any Warranted Part still under warranty.

In the USA and Canada, a 24 hour hot line, **1-800-469-4663**, has a menu of pre-recorded messages offering you engine maintenance information.



Look For Relevant Emissions Durability Period and Air Index Information On Your Engine Emissions Label

Engines that are certified to meet the California Air Resources Board (CARB) Tier 2 Emission Standards must display information regarding the Emissions Durability Period and the Air Index. Sears Brands Management Corporation makes this information available to the consumer on our emission labels.

The Emissions Durability Period describes the number of hours of actual running time for which the engine is certified to be emissions compliant, assuming proper maintenance in accordance with the Operating & Maintenance Instructions. The following categories are used:

Moderate: Engine is certified to be emission compliant for 125 hours of actual engine running time.

Intermediate: Engine is certified to be emission compliant for 250 hours of actual engine running time.

Extended: Engine is certified to be emission compliant for 500 hours of actual engine running time.

For example, a typical walk-behind lawn mower is used 20 to 25 hours per year. Therefore, the **Emissions Durability Period** of an engine with an **intermediate** rating would equate to 10 to 12 years.

The **Air Index** is a calculated number describing the relative level of emissions for a specific engine family. The lower the **Air Index**, the cleaner the engine. This information is displayed in graphical form on the emissions label.

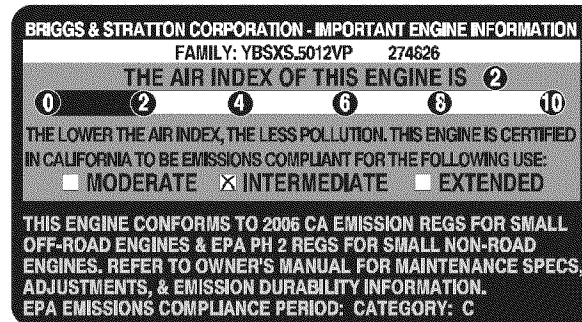
After July 1, 2000, Look For Emissions Compliance Period On Engine Emissions Compliance Label

After July 1, 2000 certain Sears Brands Management Corporation engines will be certified to meet the United States Environmental Protection Agency (USEPA) Phase 2 emission standards. For Phase 2 certified engines, the Emissions Compliance Period referred to on the Emissions Compliance label indicates the number of operating hours for which the engine has been shown to meet Federal emission requirements.

For engines less than 225 cc displacement, Category C = 125 hours, B = 250 hours and A = 500 hours.

For engines of 225 cc or more, Category C = 250 hours, B = 500 hours and A = 1000 hours.

This is a generic representation of the emission label typically found on a certified engine.



REPAIR PROTECTION AGREEMENT

Congratulations on making a smart purchase. Your new Craftsman® product is designed and manufactured for years of dependable operation. But like all products, it may require repair from time to time. That's when having a Repair Protection Agreement can save you money and aggravation.

Here's what the Repair Protection Agreement* includes:

- ☑ **Expert service** by our 10,000 professional repair specialists
- ☑ **Unlimited service and no charge** for parts and labor on all covered repairs
- ☑ **Product replacement** up to \$1500 if your covered product can't be fixed
- ☑ **Discount of 25%** from regular price of service and related installed parts not covered by the agreement; also, 25% off regular price of preventive maintenance check
- ☑ **Fast help by phone** – we call it Rapid Resolution – phone support from a Sears representative. Think of us as a “talking owner's manual.”

Once you purchase the Repair Protection Agreement, a simple phone call is all that it takes for you to schedule service. You can call anytime day or night, or schedule a service appointment online.

The Repair Protection Agreement is a risk-free purchase. If you cancel for any reason during the product warranty period, we will provide a full refund. Or, a prorated refund anytime after the product warranty period expires. Purchase your Repair Protection Agreement today!

Some limitations and exclusions apply. For prices and additional information in the U.S.A. call 1-800-827-6655.

***Coverage in Canada varies on some items. For full details call Sears Canada at 1-800-361-6665.**

Sears Installation Service

For Sears professional installation of home appliances, garage door openers, water heaters, and other major home items, in the U.S.A. or Canada call **1-800-4-MY-HOME®**.

ÍNDICE

Declaración de garantía	Página 39
Medidas importantes de seguridad . .	Páginas 40-43
Armado	Páginas 44-47
Funcionamiento	Páginas 48-53
Servicio y Mantenimiento	Páginas 54-57

Almacenamiento fuera de temporada	Página 58
Solución de problemas	Página 59
Acuerdo de protección para reparaciones .	Página 63
Número de servicio	Cubierta posterior

GARANTÍA

CRAFTSMAN DOS AÑOS DE GARANTÍA

Durante dos años desde la fecha de compra, este producto está garantizado contra cualquier defecto de materiales o mano de obra. Un producto defectuoso recibirá la reparación o sustitución gratuita si la reparación no está disponible.

Para detalles sobre la garantía de cobertura para obtener reparación gratuita o reemplazo, visite el sitio web: www.craftsman.com

Esta garantía sólo cubre defectos en materiales y mano de obra. Cobertura de la garantía no incluye:

- Bienes fungibles que pueden desgastarse con el uso normal en el período de garantía, como las cuchillas, dientes, o cinturones.
- Daños en el producto resultante de los intentos del usuario de modificación del producto o la reparación o causados por accesorios de productos.
- Las reparaciones necesarias debido a un accidente o falla para operar o mantener el producto según las instrucciones suministradas.
- Mantenimiento preventivo o reparaciones necesarias debido a la mezcla de combustible inadecuado, el combustible contaminado o viciado.

Esta garantía será nula si el producto es utilizado alguna vez, mientras que la prestación de servicios comercial o si se alquila a otra persona.

Esta garantía le otorga derechos legales específicos, y usted también puede tener otros derechos que varían de estado a estado.

Sears Brands Management Corporation, Hoffman Estates, IL 60179

PRODUCT SPECIFICATIONS

Serie del motor:	208cc
Tipo de aceite del motor:	10W30
Capacidad de aceite del motor:	20 onzas
Combustible:	Gasolina sin plomo
Bujía:	F6RTC
Separación de las bujías:	.030"

MODEL NUMBER

Número de modelo
Número de serie
Fecha de compra

Registre el número de modelo, número de serie
y fecha de compra más arriba



INSTRUCCIONES DE SEGURIDAD

⚠️ ADVERTENCIA

La presencia de este símbolo indica que se trata de instrucciones de seguridad importantes que se deben respetar para evitar poner en peligro su seguridad personal y/o material y la de otras personas. Lea y cumpla todas las instrucciones de este manual antes de intentar operar esta máquina. Si no respeta estas instrucciones puede provocar lesiones personales. Cuando vea este símbolo, ¡preste atención a la advertencia!

⚠️ PELIGRO

Esta máquina está diseñada para ser utilizada respetando las normas de seguridad contenidas en este manual. Al igual que con cualquier tipo de equipo motorizado, un descuido o error por parte del operador puede producir lesiones graves. Esta máquina es capaz de amputar dedos, manos y pies y de arrojar residuos. De no respetar las instrucciones de seguridad siguientes se pueden producir lesiones graves o la muerte.

⚠️ ADVERTENCIA

PROPOSICIÓN 65 DE CALIFORNIA

El escape del motor de este producto, algunos de sus componentes y algunos componentes del vehículo contienen o liberan sustancias químicas que el estado de California considera que pueden producir cáncer, defectos de nacimiento u otros problemas reproductivos. Los bornes de la batería y los accesorios afines contienen plomo y compuestos de plomo, sustancias químicas que según lo establecido por el Estado de California causan cáncer y daños en el sistema reproductivo. Lávese las manos después de estar en contacto con estos componentes.

⚠️ ADVERTENCIA

Su responsabilidad—Limite el uso de esta máquina motorizada a las personas que lean, comprendan y cumplan las advertencias e instrucciones que aparecen en este manual y en la máquina.

¡GUARDE ESTAS INSTRUCCIONES!

CAPACITACIÓN

- Lea, comprenda y respete todas las instrucciones que figuran en la máquina y en el o los manuales antes de proceder a armarla y hacerla funcionar. Guarde este manual en un lugar seguro para consultas futuras y periódicas, así como para solicitar repuestos.
- Lea el manual del operador y siga todas las advertencias e instrucciones de seguridad. De no hacerlo, puede ocasionar heridas de gravedad al operador y/o a los observadores. Ante cualquier duda, llame al 1-800-4MY-HOME.
- Familiarícese con todos los controles y su correcto funcionamiento. Sepa cómo detener la máquina y cómo desconectar los controles rápidamente.
- No permita nunca que los niños menores de 14 años utilicen esta máquina. Los niños de 14 años en adelante deben leer y entender las instrucciones de operación y normas de seguridad contenidas en este manual y en la máquina y deben ser entrenados y supervisados por un adulto.
- Nunca permita que los adultos operen esta máquina sin recibir antes la instrucción apropiada.
- Mantenga a los observadores, mascotas y niños al menos a 25 metros de la máquina mientras está en funcionamiento. Detenga la máquina si alguien se acerca.
- Nunca encienda el motor en espacios cerrados o en una zona con poca ventilación. El escape del motor contiene monóxido de carbono, un gas inodoro y letal.

PREPARATIVOS

- Revise minuciosamente el área donde se va a usar el equipo. Retire todas las piedras, botellas, latas y otros objetos extraños que puedan ser levantados o arrojados causando lesiones personales o daños a la máquina.
- Para protegerse los ojos, utilice siempre gafas o anteojos de seguridad mientras opera la máquina o mientras la ajusta o repara. Los objetos arrojados que rebotan pueden producir lesiones oculares graves.
- Utilice zapatos de trabajo resistentes, de suela fuerte, y pantalones y camisas ajustados. Las prendas sueltas y las alhajas se pueden enganchar en las piezas móviles. Nunca opere esta máquina estando descalzo o con sandalias.
- Antes de encender la máquina controle que todos los pernos y tornillos estén bien ajustados para garantizar que la máquina se encuentra en condiciones seguras de operación. Además, realice una inspección visual de la máquina a intervalos frecuentes para controlar si la misma está dañada.
- Antes de arrancar el motor, desenganche las palancas del embrague y desplácelas (en caso de haber) a la posición neutral ("N").
- Nunca deje la máquina en funcionamiento sin vigilancia.
- Nunca intente realizar ajustes mientras el motor está en marcha, excepto en los casos específicamente recomendados en el manual del operador.
- Mantenga o reemplace las etiquetas de seguridad e instrucciones según sea necesario.

INSTRUCCIONES DE SEGURIDAD

Manejo seguro de la gasolina:

Para evitar lesiones personales y daños materiales tenga mucho cuidado al manipular la gasolina. La gasolina es sumamente inflamable y sus vapores pueden causar explosiones. Si se derrama gasolina encima o sobre la ropa se puede lesionar gravemente ya que se puede incendiar. Lávese la piel y cámbiese de ropa de inmediato.

- Utilice sólo los recipientes para gasolina autorizados.
- Nunca llene los recipientes en el interior de un vehículo o camión o caja de remolque con un recubrimiento plástico. Coloque siempre los recipientes en el piso y lejos del vehículo antes de llenarlos.
- Cuando sea factible, retire el equipo a gasolina del camión o remolque y llénelo en el suelo. Si esto no es posible, llene el equipo en un remolque con contenedor portátil, en vez de desde una boquilla dispensadora de gasolina.
- Mantenga la boquilla en contacto con el borde del tanque de combustible o de la abertura del recipiente en todo momento, hasta terminar de cargar. No utilice un dispositivo para abrir/cerrar la boquilla.
- Apague todos los cigarrillos, cigarros, pipas y otras fuentes de combustión.
- Nunca cargue combustible en la máquina en un espacio cerrado.
- Nunca saque la tapa de la gasolina ni agregue combustible mientras el motor está caliente o en marcha. Permita que el motor se enfríe por lo menos dos minutos antes de volver a cargar combustible.
- Nunca llene en exceso el tanque de combustible. Llene el tanque no más de ½ pulgada por debajo de la base del cuello del tapón de carga, para dejar espacio para la expansión del combustible.
- Vuelva a colocar la tapa del combustible y ajústela bien.
- Limpie la gasolina que se pueda haber derramado sobre el motor o el equipo. Traslade la máquina a otra zona. Espere 5 minutos antes de encender el motor.
- Para reducir el riesgo de incendio, mantenga la máquina limpia de pasto, hojas y de acumulación de otros escombros. Limpie los derrames de aceite o combustible y saque todos los escombros embebidos de combustible.
- Nunca guarde la máquina o el recipiente de combustible en un espacio cerrado donde haya fuego, chispas o luz piloto, como por ejemplo de calentadores de agua, calefactores de ambientes, hornos, secadores de ropa u otros aparatos a gas.

FUNCIONAMIENTO

- No coloque las manos ni los pies cerca de piezas giratorias. El contacto con las piezas giratorias puede ocasionar en la amputación de manos o pies.
- No utilice la máquina bajo la influencia del alcohol o las drogas.
- Nunca opere esta máquina si no hay buena visibilidad o iluminación. Siempre debe estar seguro de que está bien afirmado y sujetando firmemente las manijas.
- Mantenga a los transeúntes alejados de la máquina mientras la misma está en funcionamiento. Detenga la máquina si alguien se acerca.
- Tenga cuidado al labrar un terreno duro. Los dientes pueden clavarse en la tierra e impulsar la cultivadora hacia adelante. Si esto ocurre, suelte el manubrio y deje la máquina libre.
- Sea sumamente precavido cuando opere la máquina sobre una superficie con grava o al cruzarla. Manténgase alerta por si se presentan peligros ocultos o tránsito. No transporte pasajeros.
- Nunca utilice la máquina a altas velocidades de desplazamiento sobre superficies duras o resbaladizas.
- Tenga cuidado para evitar resbalar o caerse.
- Mire hacia abajo y hacia atrás y tenga cuidado cuando se desplace en marcha atrás o cuando jale de la máquina hacia usted.
- Arranque el motor de acuerdo con las instrucciones del manual y aleje los pies de los dientes en todo momento.

- Si golpea algún objeto extraño o si la máquina comienza a emitir un sonido poco común o a vibrar, apague el motor de inmediato. Desconecte el cable de la bujía, póngalo haciendo masa contra el motor y siga los pasos siguientes:
 - a. Inspeccione la máquina para ver si está dañada.
 - b. Repare o reemplace las piezas dañadas.
 - c. Controle si hay piezas flojas y ajústelas para asegurar que la máquina funcione de manera segura y continua.
- Desenganche todas las palancas de embrague (si las hay) y detenga el motor antes de dejar la posición de operación (detrás de las manijas). Espere hasta que los dientes se detengan completamente antes de limpiarlos, hacer algún ajuste o inspeccionarlos.
- Nunca encienda el motor en espacios cerrados o en una zona con poca ventilación. El escape del motor contiene monóxido de carbono, un gas inodoro y letal.
- El silenciador y el motor se calientan y pueden causar quemaduras. No los toque.
- Tenga precaución cuando labore terreno cerca de vallas, edificios y servicios subterráneos. Los dientes rotatorios pueden causar daños materiales o lesiones personales.
- No sobrecargue la capacidad de la máquina intentando labrar el suelo a un nivel demasiado profundo o a una velocidad demasiado rápida.
- Si la máquina arranca haciendo un sonido o una vibración rara, detenga el motor, desconecte el cable de la bujía y conéctelo a masa contra el motor. Inspeccione la máquina minuciosamente para ver si está dañada. Repare todos los daños antes de encender y operar la máquina.
- Mantenga todos los escudos, protectores y dispositivos de seguridad en su lugar y en correcto funcionamiento.
- Nunca levante o transporte la máquina cuando el motor está encendido.
- Utilice sólo dispositivos de sujeción o accesorios aprobados por el fabricante que figuran en las páginas de la lista de piezas de este manual del operador. Si no lo hace, pueden producirse lesiones personales.
- Si se presentan situaciones que no están previstas en este manual, sea cuidadoso y use el sentido común. Póngase en contacto con Asistencia al Cliente para solicitar ayuda y el nombre del distribuidor de servicio más cercano.

MANTENIMIENTO Y ALMACENAMIENTO

- Mantenga la máquina, los aditamentos y accesorios en condiciones de funcionamiento seguro.
- Deje que la máquina se enfríe por lo menos cinco minutos antes de guardarla. Nunca altere los dispositivos de seguridad. Controle periódicamente que funcionan correctamente.
- Verifique frecuentemente que los pernos y tornillos estén ajustados correctamente para asegurarse de que la máquina esté trabajando de manera segura. Además, haga una inspección visual de la máquina para verificar si está dañada.
- Antes de limpiar, reparar o revisar, detenga el motor y asegúrese de que los dientes y todas las partes móviles se han detenido. Desconecte el cable de la bujía y póngalo haciendo masa contra el motor para evitar que se encienda accidentalmente.
- No cambie la configuración del regulador del motor ni lo haga funcionar a demasiada velocidad. El regulador del motor controla la velocidad máxima de funcionamiento seguro del motor.
- Mantenga o reemplace las etiquetas de seguridad y de instrucciones según sea necesario.
- Siga las instrucciones de este manual para cargar, descargar, transportar y almacenar de manera segura esta máquina.
- Si la máquina se va a almacenar por un período prolongado, consulte siempre el manual del operador para obtener información importante.
- Si debe vaciar el tanque de combustible, hágalo al aire libre.

INSTRUCCIONES DE SEGURIDAD

- Observe la reglamentación y las normas respecto a la eliminación correcta de gasolina, aceite, etc. para proteger el medio ambiente.
- Según la Comisión de Seguridad de Productos para el Consumidor de los Estados Unidos (CPSC) y la Agencia de Protección Ambiental de los Estados Unidos (EPA), este producto tiene una vida útil media de siete (7) años ó 130 horas de funcionamiento. Al finalizar la vida útil media haga inspeccionar anualmente esta unidad por un distribuidor de servicio autorizado para cerciorarse de que todos los sistemas mecánicos y de seguridad funcionan correctamente y no tienen excesivo desgaste. Si no lo hace, pueden producirse accidentes, lesiones o la muerte.

NO MODIFIQUE EL MOTOR

Para evitar lesiones graves o la muerte, no modifique el motor bajo ninguna circunstancia. Si altera la configuración del regulador, el motor se puede desbocar y funcionar a velocidades que no son seguras. Nunca modifique la configuración de fábrica del regulador del motor.

AVISO REFERIDO A EMISIONES

Los motores que están certificados y cumplen con las regulaciones de emisiones federales EPA y de California para SORE (Equipos Small Off Road Equipment) están certificados para operar con gasolina común sin plomo y pueden incluir los siguientes sistemas de control de emisiones: Modificación de motor (EM), catalizador oxidante (OC), inyección de aire secundaria (SAI) y catalizador de tres vías (TWC) si están equipados de esa manera.

AMORTIGUADOR DE CHISPAS

ADVERTENCIA






Esta máquina está equipada con un motor de combustión interna y no debe ser utilizada en un terreno agreste cubierto por bosque, malezas o hierba ni cerca del mismo excepto que el sistema de escape del motor esté equipado con un amortiguador de chispas que cumpla con las leyes locales o estatales correspondientes (en caso de existir).

Si se utiliza un amortiguador de chispas el operador lo debe mantener en condiciones de uso adecuadas. En el Estado de California las medidas anteriormente mencionadas son exigidas por ley (Artículo 4442 del Código de Recursos Públicos de California). Es posible que existan leyes similares en otros estados. Las leyes federales se aplican en territorios federales. Podrá obtener un amortiguador de chispas para el silenciador en el centro de servicio de piezas y reparaciones Sears más cercano.

INSTRUCCIONES DE SEGURIDAD

SÍMBOLOS DE SEGURIDAD

En esta página se presentan y describen los símbolos de seguridad que pueden aparecer en este producto. Lea, entienda y cumpla todas las instrucciones incluidas en la máquina antes de intentar armarla y utilizarla.

	<p>LEA LOS MANUALES DEL OPERADOR Lea, entienda y cumpla todas las instrucciones incluidas en los manuales antes de intentar armar la unidad y utilizarla.</p>
	<p>ADVERTENCIA - DIENTES GIRATORIOS No coloque las manos ni los pies cerca de piezas giratorias. El contacto con las piezas giratorias puede ocasionar en la amputación de manos o pies.</p>
	<p>ADVERTENCIA - DIENTES GIRATORIOS No coloque las manos ni los pies cerca de piezas giratorias. El contacto con las piezas giratorias puede ocasionar en la amputación de manos o pies.</p>
	<p>ADVERTENCIA - LA GASOLINA ES INFLAMABLE Deje que el motor se enfríe por lo menos dos minutos antes de cargar combustible.</p>
	<p>ADVERTENCIA - MONÓXIDO DE CARBONO Nunca encienda el motor en espacios cerrados o en una zona con poca ventilación. El escape del motor contiene monóxido de carbono, un gas inodoro y letal.</p>
	<p>ADVERTENCIA — SUPERFICIE CALIENTE Las piezas del motor, especialmente el silenciador, se recalientan durante la operación. Deje que el motor y el silenciador se enfríen antes de tocarlos.</p>



ADVERTENCIA: Su responsabilidad—Limite el uso de esta máquina motorizada a las personas que lean, comprendan y cumplan las advertencias e instrucciones que aparecen en este manual y en la máquina.

¡GUARDE ESTAS INSTRUCCIONES!

MONTAJE

NOTA: Esta unidad se envía sin gasolina ni aceite en el motor. Antes de operar la máquina cargue el motor con gasolina y aceite como se indica en la sección Funcionamiento de este manual.

NOTA: Las referencias a los lados derecho e izquierdo de la cultivadora se hacen observando la máquina desde la posición de operación.

APERTURA DE LA CAJA DE CARTÓN

1. Corte cada una de las esquinas de la caja verticalmente, de la parte superior a la base.
2. Saque todas las piezas sueltas.
3. Quite el material de empaque suelto.

CÓMO SACAR LA UNIDAD DE LA CAJA

1. Use el manillar para levantar y tirar de la tillerbackwards a una zona plana. Inspeccione minuciosamente la caja para detectar si hay piezas sueltas.
2. Asegúrese de no doblar el cable del embrague de marcha directa.

PIEZAS SUELTAS DENTRO DE LA CAJA

- Montaje de las barras de control
- Cultivadora
- Aceite del motor
- Manual del propietario
- Montaje del calibrador de profundidad

UNIÓN DE LOS CABLES

1. Identifique el cable del embrague de marcha directa (A). Vea la Figura 1.

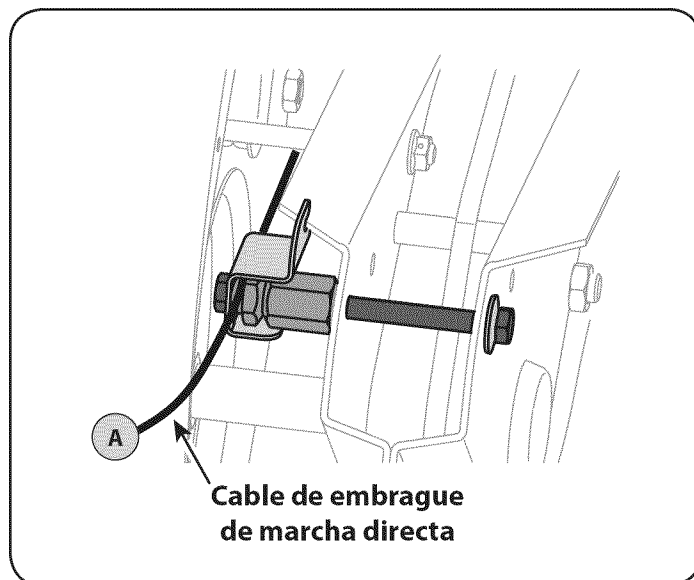


Figura 1

2. Enganche el extremo "Z" del cable del embrague de marcha directa (A) en la palanca de enganche de los dientes de marcha directa. Vea la Figura 2.

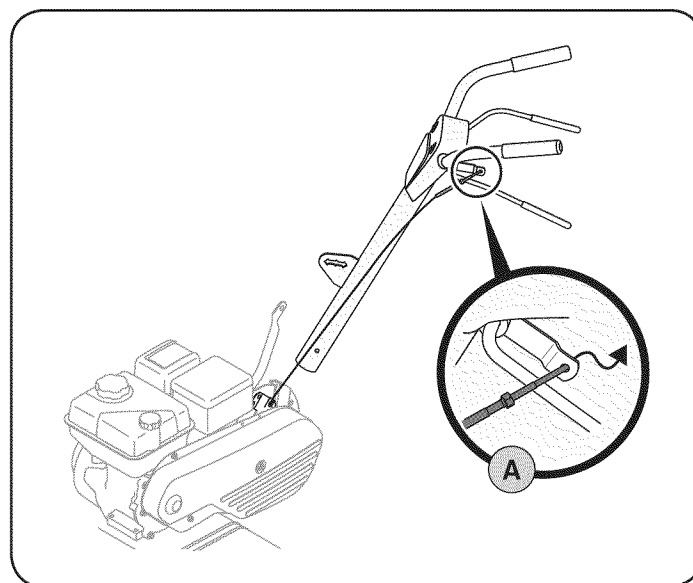


Figura 2

NOTA: Asegúrese de no torcer el cable mientras realiza la instalación.

INSTALACIÓN DE LA MANIJA

1. Retire el perno hexagonal y la arandela cónica del lado derecho del bastidor. Sostenga la ménsula de la guía del cable del lado izquierdo del bastidor ya que se caerá al quitar el perno. Paso 1 en la Fig. 3.

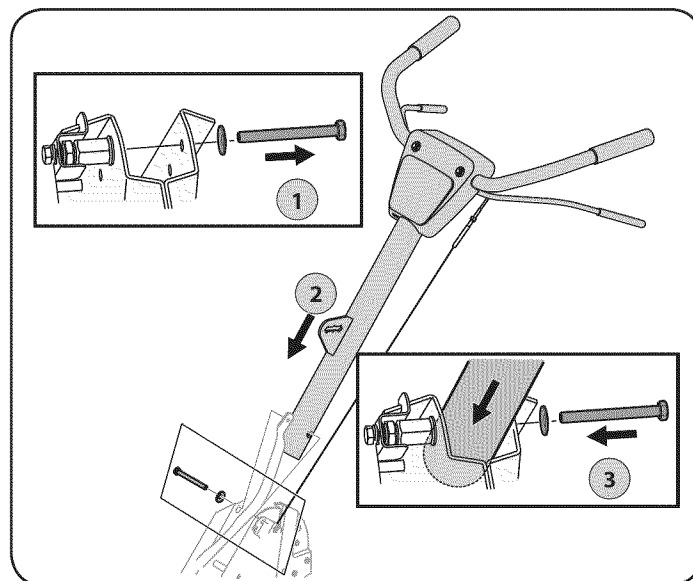


Figura 3

2. Inserte la manija dentro del bastidor de la cultivadora. Paso 2 en la Fig. 3.
3. Inserte el perno a través de la arandela cónica, el bastidor, la manija y dentro de la ménsula de guía del cable (observe que la muesca de la ménsula de la guía del cable pasa por encima de la brida sobre el bastidor). Paso 3 en la Fig. 3.

MONTAJE

4. Asegure el perno después de ajustar la traba de la manija. Vea la Figura 4.

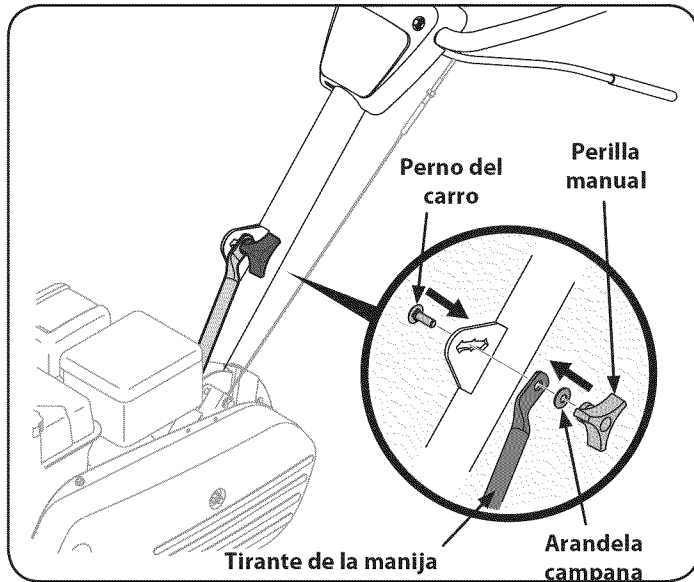


Figura 4

5. Ubique el perno de carro, la arandela de campana y la perilla de mano empaquetados con su cultivadora.
6. Inserte el perno de carro a través del soporte soldado de la manija, la arandela campana, la traba de la manija, y dentro de la perilla de mano. Vea la Figura 4.
7. Seleccione una de las tres posiciones para la altura de la manija (tres muescas en la ménsula soldada de la manija), y ajuste la perilla de mano para fijar la manija en la posición deseada. Vea la figura 4. Regrese a la manija inferior y ajuste el perno hexagonal firmemente.

INSTALACIÓN DEL CALIBRADOR DE PROFUNDIDAD

1. Quite los dos tornillos de la asamblea la estaca de profundidad. Véase la Figura 5.

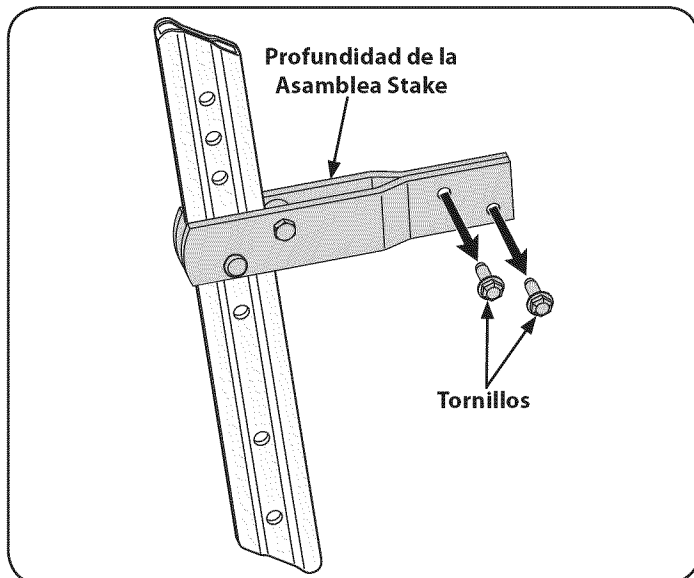


Figura 5

2. Introduzca el conjunto de la estaca de profundidad en el cuadro y volver a instalar los dos tornillos que quitó antes. Apriete los tornillos hexagonales de forma segura. Véase la Figura 6.

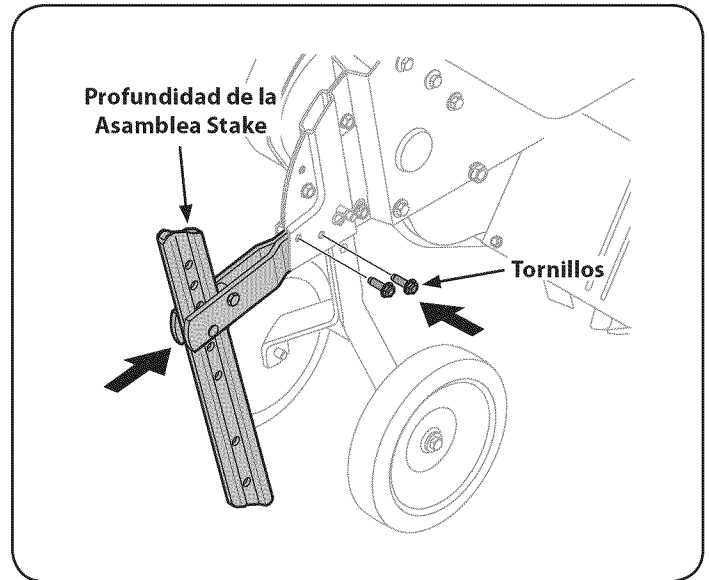


Figura 6

3. Asegure el pasador con el clip de retirarse antes. La estaca de profundidad se puede colocar en varias posiciones. Para los propósitos de configuración, se sugiere que la estaca se reunió con el juego justo por encima o al nivel de la superficie del suelo. Para más instrucciones sobre la estaca de profundidad se refieren a la sección de Operación de este manual.

MONTAJE

CONFIGURACIÓN

El control y la Adición de Aceite

⚠ PRECAUCIÓN

El motor se envía sin aceite en el motor. Usted debe llenar el motor con aceite antes de operar. El funcionamiento del motor con el aceite que podría producir un daño serio al motor y anular la garantía del producto.

El Uso Inicial

1. Retire la varilla de nivel de llenado de aceite.
2. Coloque el timón a nivel del suelo, el uso de un embudo para vaciar todo el contenido de la botella de aceite suministrada con la unidad en el motor.
3. Vuelva a colocar la varilla de nivel de llenado de aceite y apriete.

El control y la adición de aceite

1. Coloque el manillar en una superficie plana y nivelada.
2. Retire el tapón de llenado / varilla de medición y Limpie la varilla. Véase la Figura 7.

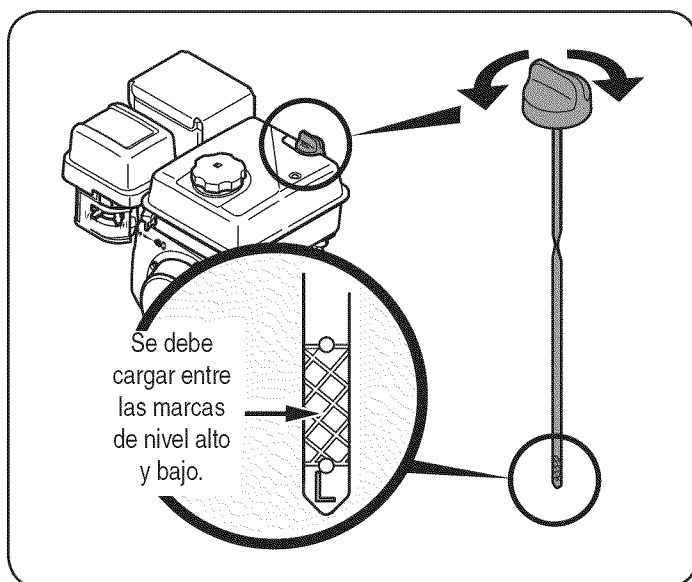


Figura 7

3. Inserte la tapa / varilla de medición en el cuello de llenado de aceite, pero no meter la pata pulg
4. Retire el tapón de llenado / varilla de medición. Si el nivel está bajo, agregue lentamente el aceite hasta el nivel de aceite entre los registros de alta (H) y baja (L), la Figura 8.

NOTA: No llene en exceso. Sobrellenado de aceite puede causar el tabaquismo, problemas de arranque, o una chispa incrustaciones enchufe.

5. Vuelva a colocar y apriete la tapa / varilla con firmeza antes de arrancar el motor.

NOTA: No permita que el nivel de aceite caiga por debajo de la marca "L" en la varilla. Si lo hace, puede resultar en mal funcionamiento del equipo o daños.

NOTA: Para cambiar el aceite en su motor, consulte la sección Mantenimiento de este manual.

Recomendaciones sobre el combustible

Utilice gasolina para automóviles (sin plomo o bajo contenido de plomo para minimizar los depósitos en la cámara de combustión) con un mínimo de 87 octanos. Se puede usar gasolina con hasta un 10% de etanol o un 15% de MTBE (éter metílico terciario-butílico). Nunca use una mezcla de aceite y gasolina ni gasolina sucia. Evite que se introduzca suciedad, polvo o agua en el tanque de combustible. NO utilice gasolina E85.

- Cargue combustible en un área bien ventilada y con el motor apagado. No fume ni permita llamas o chispas en el lugar donde se carga combustible o se almacena la gasolina.
- No llene en exceso el depósito de combustible. Después de cargar combustible, asegúrese de que el tapón del depósito esté bien cerrado y asegurado.
- Tenga cuidado de no derramar combustible al realizar la recarga. El combustible derramado o sus vapores se pueden incendiar. Si se derrama combustible, asegúrese de que el área esté seca antes de arrancar el motor.
- Evite el contacto repetido o prolongado con la piel y la inhalación de los vapores.

Carga de combustible

⚠ ADVERTENCIA

Tenga mucho cuidado al trabajar con gasolina. La gasolina es sumamente inflamable y sus vapores pueden causar explosiones. Nunca agregue combustible a la máquina en interiores ni mientras el motor está caliente o en funcionamiento. Apague cigarrillos, cigarras, pipas y otras fuentes de combustión.

1. Asegúrese de motor al aire libre y en un área bien ventilada.
2. Limpie el área alrededor de la tapa de llenado de combustible y retire el tapón de llenado de combustible.
3. El uso de un recipiente para gasolina autorizados rojos, añadir poco a poco de combustible, teniendo cuidado de evitar que se derrame.
4. Llenar el tanque hasta que el combustible llegue a la "lleno de combustible" marca del indicador. Véa la Figura 8.

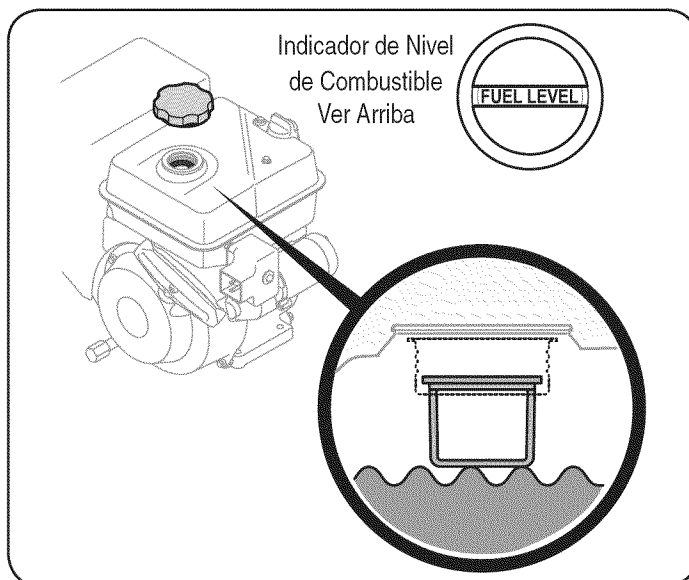


Figure 8

MONTAJE

5. Vuelva a colocar la tapa de combustible y apriete bien. Limpie los derrames de combustible antes de arrancar el motor. Si se derrama combustible NO arranque el motor. Mueva la máquina fuera del área de derrame. Evitar la creación de cualquier fuente de ignición hasta que los vapores de combustible se han ido.

AJUSTES

⚠ ADVERTENCIA

Antes de operar su cultivadora, lea atentamente y cumpla todas las instrucciones que aparecen a continuación. Realice todos los ajustes para verificar que la unidad está operando con seguridad y correctamente.

Verifique el ajuste de las ruedas:

La cultivadora se entrega con las ruedas ajustadas de modo que la máquina esté nivelada. Es necesario ajustar las ruedas para adaptarse a sus necesidades de labranza antes de hacer funcionar la máquina. Este ajuste se realiza retirando el pasador de horquilla del retén de las ruedas y levantando las ruedas a la altura deseada. Vea la Figura 9.

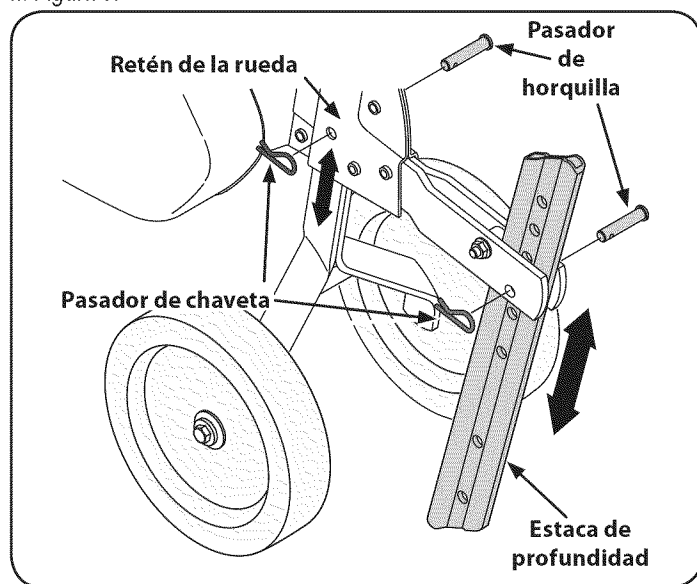


Figura 9

6. Antes de utilizar el timón del ajuste de los cables de embrague de marcha adelante debe ser revisado.
7. Desconecte y conecte el cable de la bujía contra el motor.
8. Ajuste el cable del embrague de marcha adelante, aflojando la tuerca hexagonal. Véase la Figura 10.

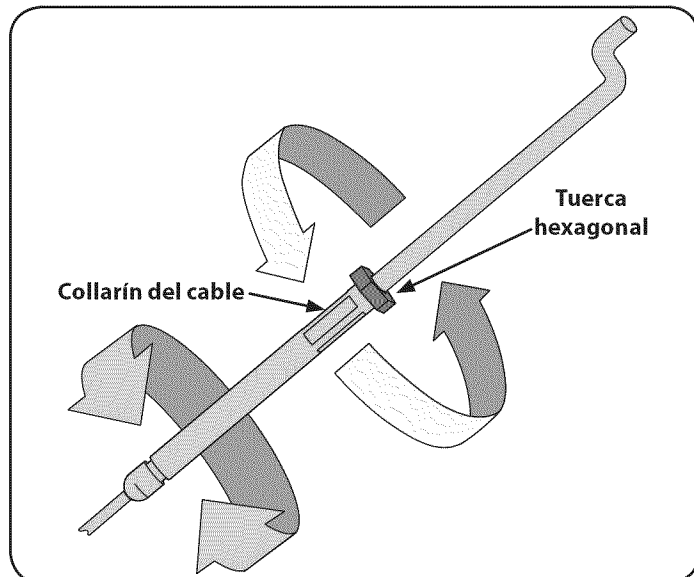


Figure 10

9. A su vez la sección de cable de cuello una o dos vueltas para aumentar o disminuir la tensión en el cable. Véase la Figura 10.
10. Vuelva a apretar la tuerca de seguridad contra el cuello de cable. Véase la Figura 10.
11. Con el mango hacia adelante el compromiso de dientes en el neutro - liberado - posición, tire de la cuerda varias veces titular. Los dientes no debe girar.
12. Si a su vez ajustar el cable de embrague de marcha adelante para liberar la tensión con los pasos anteriores de esta sección.
13. Compruebe de nuevo la tensión correcta en el cable.
14. Después de cultivar, si los dientes dejan de moverse, volver a ajustar los cables.

FUNCIONAMIENTO

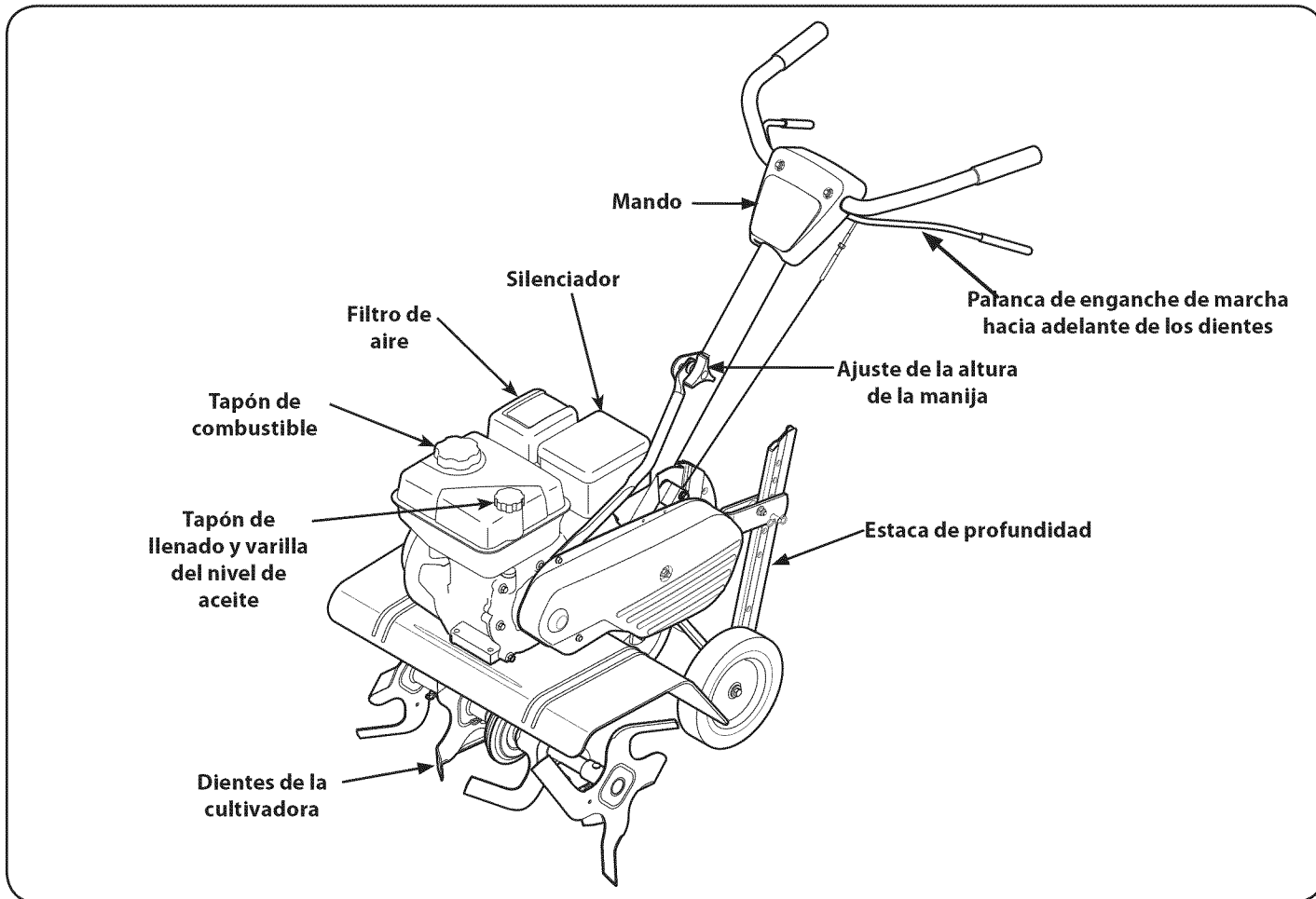


Figura 10

Ahora que tiene la cultivadora preparada para funcionar, familiarícese con los controles y funciones. Encontrará las descripciones en las siguientes dos páginas y las ilustraciones en ésta. Este conocimiento le permitirá utilizar su nuevo equipo a su máxima capacidad.

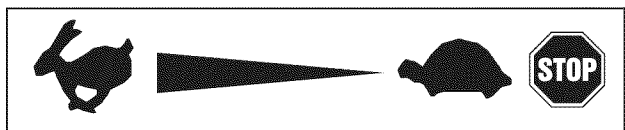
⚠ ADVERTENCIA

Al operar una cultivadora es posible que arroje objetos extraños a los ojos, lo cual podría causarles lesiones graves. Utilice siempre los anteojos de seguridad con esta unidad o protectores para ojos mientras labra y mientras realiza ajustes o reparaciones.

MANIJA DEL ARRANCADOR DE RETROCESO

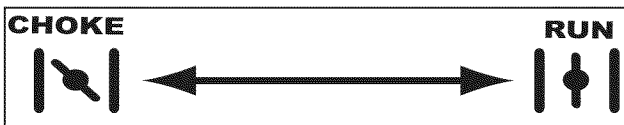
Esta manija se utiliza para arrancar el motor.

CONTROL DEL REGULADOR



El control del regulador está ubicado en la parte lateral del motor. Regula la velocidad del motor, y lo apaga cuando se lo coloca en la posición STOP (detención).

CONTROL DE OBTURACIÓN



El control del cebador se encuentra en la parte lateral del motor, y se activa haciendo girar la palanca a la posición CHOKe (cebador). Al activar el control del cebador se cierra la placa del cebador del carburador y esto ayuda a poner en marcha el motor.

FILTRO DE AIRE

El filtro de aire es un dispositivo de la toma de aire del motor que impide la entrada de polvo y suciedad en el motor. Vea la Figura 10.

SILENCIADOR

El escape del motor sale del motor a través del silenciador. Vea la Figura 10.

ESTACA DE PROFUNDIDAD

La estaca de profundidad controla la profundidad de la labranza. Vea la Figura 10.

DIENTES

Los dientes se utilizan para cultivar, surcar y preparar su jardín par la siembra. Vea la Figura 10.

Cumple con los estándares de seguridad de ANSI

Las cultivadoras Craftsman cumplen con las normas de seguridad del Instituto Nacional Americano de Normalización (ANSI).

FUNCIONAMIENTO

TAPÓN DE LLENADO Y VARILLA DEL NIVEL DE ACEITE

Es posible controlar el nivel de aceite del motor, así como también agregar aceite, a través del llenado de aceite. Vea la Figura 10.

NOTA: Esta unidad se entrega SIN aceite en el motor. Se incluye aceite en la bolsa plástica empacada con el manual de la unidad. Agregue aceite como se indica en la sección Carga de gasolina y de aceite. Controle el nivel de aceite antes de cada operación para asegurarse de que haya aceite suficiente en el motor. Para más información, consulte las instrucciones de la sección Mantenimiento del motor de este manual.


PALANCA DE ENGANCHE DE MARCHA HACIA ADELANTE DE LOS DIENTES

La palanca de enganche de marcha hacia adelante de los dientes controla el enganche de los dientes. Suelte la palanca para detener los dientes. Vea la Figura 10.

AJUSTE DE LA ALTURA DE LA BARRA DE CONTROL

La altura de las manijas se puede ajustar. Afloje la perilla para cambiar la posición. Ajuste los elementos de ferretería cuando haya terminado. Vea la Figura 10.

PARA ENCENDER EL MOTOR

1. Conecte el cable de la bujía y la manga de goma a la misma.
2. Llene el depósito con no más de 1/2 pulgada por debajo de la parte inferior del cuello de llenado para ofrecer espacio para la expansión del combustible.
3. Compruebe que el control del embrague de los dientes esté desenganchado.
4. Mueva la palanca del cebador del motor a la posición CHOKE . (Si el motor está tibio puede no ser necesario cebarlo). Vea la Figura 11.

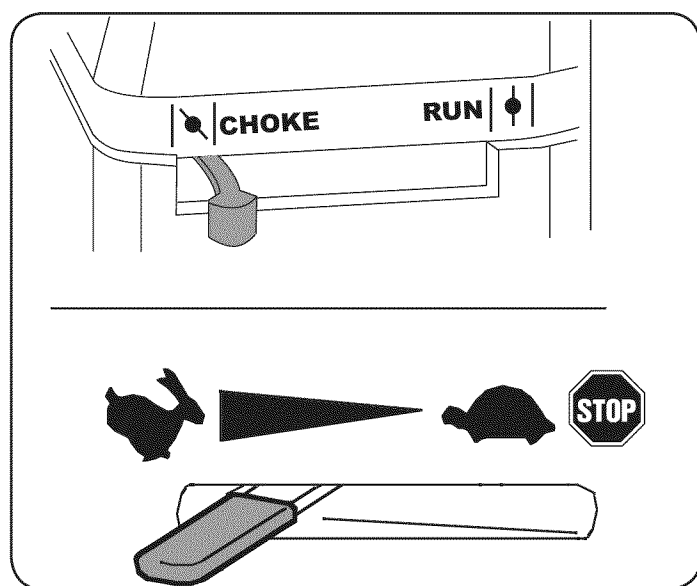







Figure 11

5. Mueva la palanca de control del regulador a la posición START/RUN (encendido / funcionando, representado por una liebre ). Vea la Figura 11.

6. Situado al lado de la unidad, tome la manija del arrancador y tire de la cuerda hasta que sienta un tirón.
7. Tire de la cuerda de manera rápida y continua. Mantenga un ajuste firme sobre la manija del arrancador. Deje que la cuerda se enrolle lentamente.
8. Repita este paso, de ser necesario, hasta que se encienda el motor. Cuando el motor arranque, mueva el control del cebador gradualmente hasta la posición RUN .
9. Si el motor falla, vuelva el control del cebador a la posición CHOKE  y repita los pasos 5 a 8.
10. Mantenga SIEMPRE el control del regulador en posición START/RUN (encendido / funcionando) (Liebre) mientras opere la cultivadora.

PARA DETENER EL MOTOR

1. Para detener las ruedas y los dientes, suelte el gancho del embrague de marcha directa.
2. Mueva la palanca de control del regulador hasta la posición SLOW (lento, representado por una tortuga ). Siempre que sea posible, reduzca gradualmente la velocidad del motor antes de detenerlo.
3. Mueva la palanca de control del regulador a la posición STOP (detención)  u OFF (apagado).
4. Desconecte el cable de la bujía y haga masa con el motor para evitar que se encienda accidentalmente el equipo al dejarlo sin vigilancia.

PARA ENGRANAR LA TRANSMISIÓN Y LOS DIENTES

1. Para mover las ruedas hacia adelante e impulsar los dientes coloque el gancho del embrague de marcha directa contra la barra de control.
2. Cuando realice la labranza, distiéndase y deje que las ruedas tiren de la máquina mientras los dientes cavan. Camine lentamente detrás de la cultivadora permitiendo que se mueva a su propio ritmo manteniendo la barra de control bien sujeta con los codos flexionados.
3. Suelte el gancho para detener el movimiento hacia adelante de las ruedas y los dientes.

DAR LA VUELTA CON LA CULTIVADORA

1. Practique dar la vuelta con la cultivadora en un área abierta y nivelada. Tenga cuidado para mantener los pies y las piernas lejos de los dientes.
2. Para comenzar a voltear, levante las barras de control hasta que los dientes se separen del suelo y el motor y los dientes estén balanceados por encima de las ruedas.
3. Con la cultivadora equilibrada, empuje hacia el costado sobre la barra de control en la dirección en que se está volteando. Luego de dar la vuelta, introduzca lentamente los dientes en el suelo para reiniciar la labranza.

FUNCIONAMIENTO

ESTABLECIMIENTO DE LA PROFUNDIDAD

Cerciórese de que el cable de la bujía está desconectado y haciendo masa contra el motor antes de realizar cualquier ajuste.

⚠ ADVERTENCIA

Cerciórese de que el cable de la bujía está desconectado y haciendo masa contra el motor antes de realizar cualquier ajuste.

Retén hacia adelante

Coloque el retén de las ruedas de manera que las ruedas estén hacia delante (punto más cercano a los dientes) para labranza superficial, cultivo y transporte, extrayendo el pasador de horquilla y de chaveta. Vea la Figura 12.

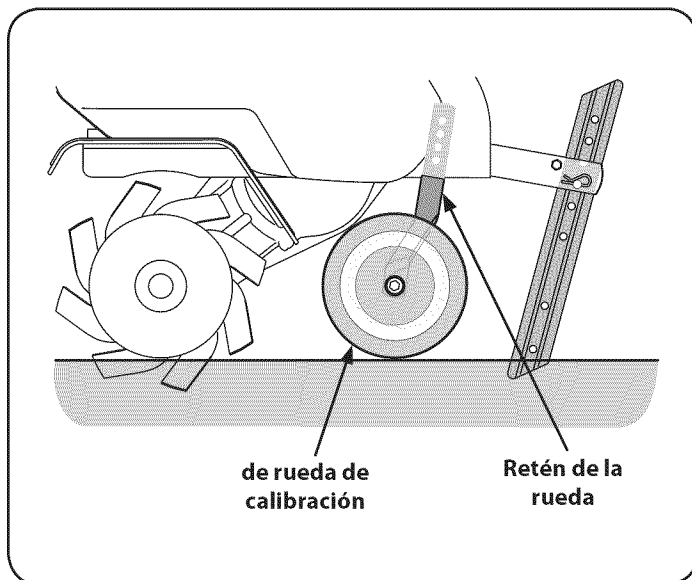


Figure 12

Retén hacia atrás

Coloque el retén de las ruedas de manera que las ruedas estén hacia atrás (punto más cercano a la estaca de profundidad) para labranza superficial, cultivo, extrayendo el pasador de horquilla y de chaveta. Vea la Figura 13.

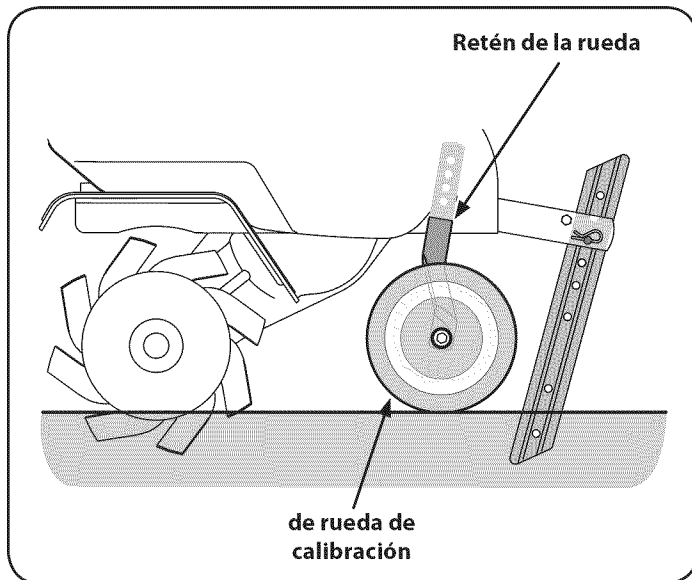


Figure 13

Estaca de profundidad

La estaca de profundidad funciona como un freno de la cultivadora y controla la profundidad y la velocidad a la cual funciona la máquina. Retire el pasador de horquilla para subir o bajar la estaca de profundidad. Vea la Figura 14.

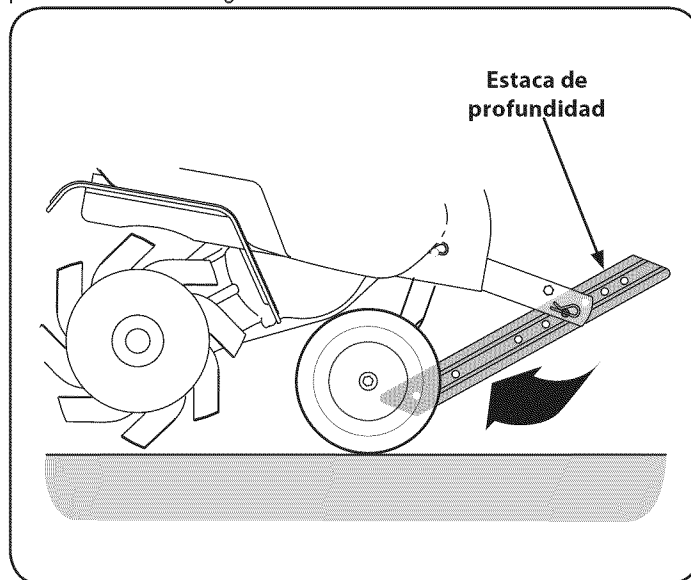


Figure 14

AJUSTE DE LA ALTURA DE LA MANIJA

La manija debe ajustarse para que cuando la cultivadora esté labrando a una profundidad de 3-4" en el suelo, la manija se encuentre aproximadamente a la altura de la cintura. Para ajustar la manija, simplemente afloje la perilla de la manija, mueva la manija a la altura deseada y vuelva a ajustar la perilla de la manija. Vea la Figura 15.

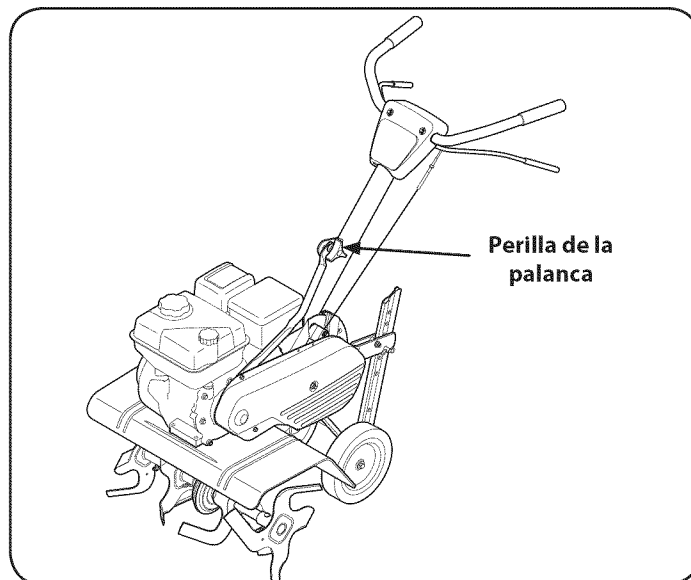


Figure 15

FUNCIONAMIENTO

LIMPIEZA DE LOS DIENTES

⚠ ADVERTENCIA

Antes de despejar los dientes a mano, detenga el motor, deje que todas las partes en movimiento se detengan y desconecte el cable de la bujía. Si no se observa esta advertencia se pueden producir lesiones personales.

Los dientes tienen una acción autolimpiante que elimina la mayor parte de los desechos que se enredan. Sin embargo, a veces se pueden enredar pasto seco, tallos fibrosos o enredaderas resistentes. Siga estos procedimientos para ayudar a evitar que se formen marañas en los dientes y para limpiarlos, si es necesario.

- Trate de realizar la labranza debajo de los residuos de cosecha o cultivos de cobertura mientras están verdes, húmedos y tiernos.
- Mientras realiza la labranza, trate de balancear las barras de control de un lado al otro (aproximadamente entre 6" y 12"). La acción de "colead" a menudo despeja los dientes desprendiendo los desechos.

SUGERENCIAS Y TÉCNICAS DE LABRANZA

⚠ WARNING

Antes de labranza, en contacto con su teléfono o compañía de servicios públicos y preguntar si el equipo de tierra o las líneas se utilizan en su propiedad. No hasta cerca de las tuberías enterradas cables eléctricos, líneas telefónicas, o las mangueras.

la profundidad de la labranza

- Esta es una cultivadora de "dientes que rotan hacia adelante" (CRT). Cuando la palanca de enganche de dientes hacia adelante se presiona contra la manija los dientes rotan hacia adelante. Esto crea una acción de "gancho" de los dientes que cavan en profundidad, arrancando de raíz suelo y malezas. No sobrecargue el motor, pero cave lo más profundo posible en cada pasada.

- Cuando labre la tierra (rompiendo la superficie de suelo alrededor de las plantas para destruir las malezas, vea la Figura 16), ajuste los dientes para cavar únicamente a una profundidad de 1 a 2 pulgadas. La labranza a poca profundidad ayuda a evitar lesiones a las plantas cuyas raíces a menudo crecen cerca de la superficie. Si es necesario, levante las barras de control ligeramente para evitar que los dientes cavén demasiado profundo. (La labranza regular no sólo elimina malezas, sino que además afloja y airea el suelo para mejor absorción de la humedad y crecimiento más rápido de las plantas). Si se riega el área del jardín unos cuantos días antes de la labranza se facilitará esta tarea; también se contribuye permitiendo al suelo recién trabajado asentarse por uno o dos días antes de la pasada final, profunda, de la cultivadora.

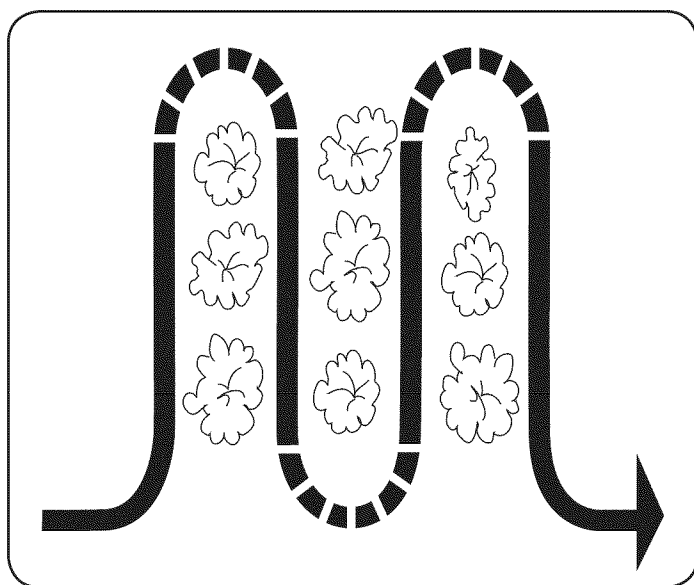


Figure 16

Elección de la velocidad correcta para los dientes

Con experiencia, podrá encontrar la combinación de profundidad y velocidad de labranza más adecuada a las necesidades de su jardín. Ajuste la palanca del regulador del motor a una velocidad que dé al motor adecuada potencia y que al mismo tiempo le permita funcionar a la menor velocidad posible hasta que haya alcanzado la máxima profundidad de labranza deseada. Al realizar las pasadas finales a través del lecho de siembra o al realizar la labranza tal vez sea deseable utilizar velocidades más rápidas del motor. La selección de la velocidad correcta del motor, en relación con la profundidad de labranza, asegurará un nivel de potencia suficiente para hacer la tarea sin someter al motor a excesiva exigencia.

FUNCIONAMIENTO

Modelos de labranza sugeridos

- Al preparar el lecho de siembra, recorra la misma senda dos veces en la primera hilera, luego traslape la mitad del ancho de la cultivadora en el resto de las pasadas. Vea la Figura 17.

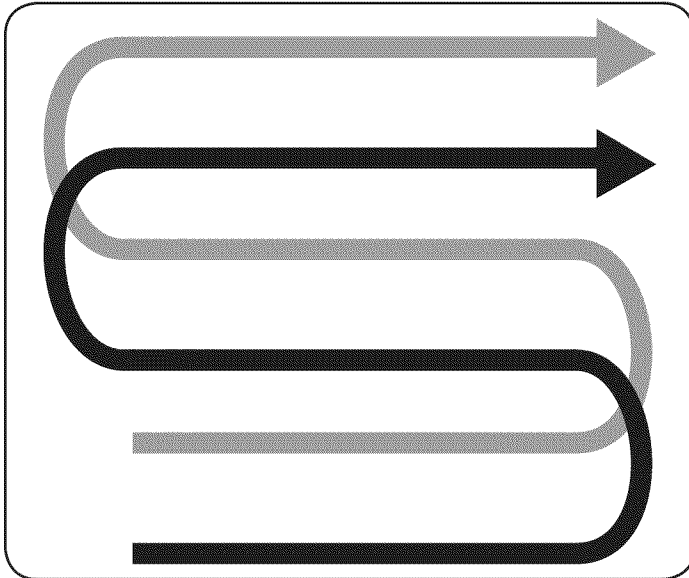


Figure 17

- Cuando termine en una dirección, realice una segunda pasada en ángulo recto, vea la Figura 18. Traslape cada pasada para obtener el mejor resultado (en terreno muy duro, puede ser necesario realizar tres o cuatro pasadas para pulverizar el suelo a fondo).

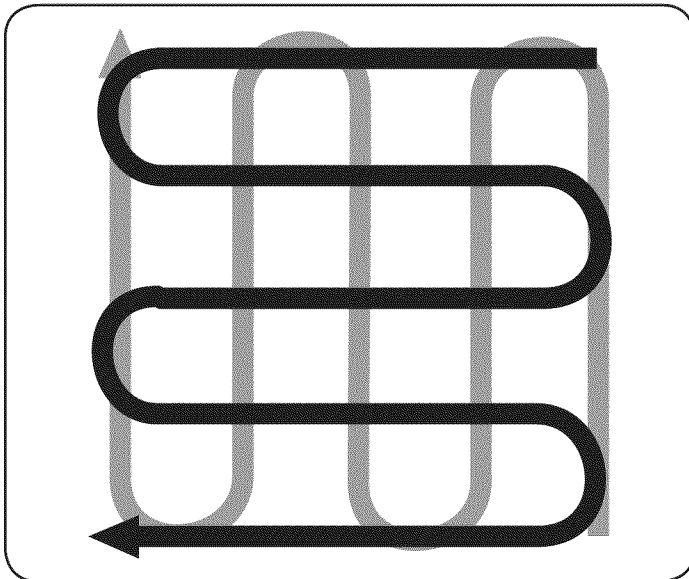


Figure 18

- Si las dimensiones del jardín no permiten la labranza en sentido longitudinal y luego transversal, traslape las primeras pasadas por la mitad del ancho de la cultivadora, continuando con sucesivas pasadas a un cuarto del ancho. Vea la Figura 19.

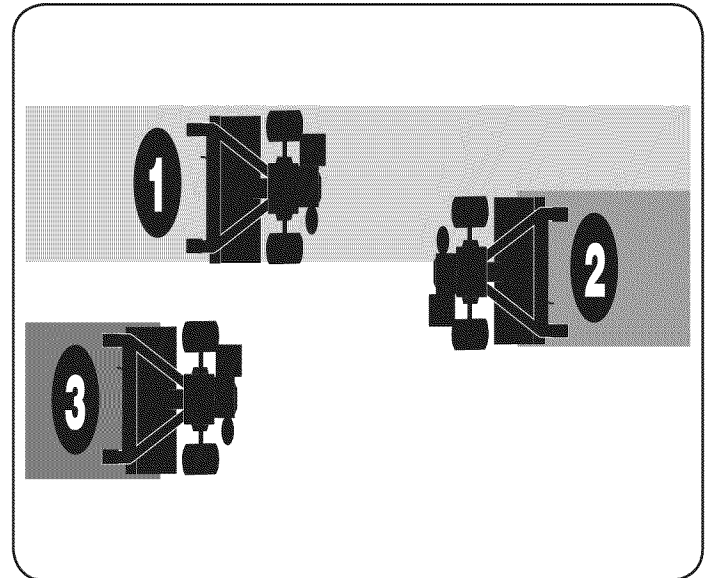


Figure 19

Labranza en pendiente

⚠ ADVERTENCIA

No opere la cultivadora en una pendiente demasiado empinada para una operación segura. Realice la labranza lentamente y asegúrese de estar firmemente parado. Nunca permita que la cultivadora se desplace con las ruedas libres cuesta abajo. Si no se observa esta advertencia se pueden producir lesiones personales.

- Realice la labranza únicamente en pendientes moderadas, nunca en terreno demasiado empinado donde sea difícil mantener la estabilidad.
- Se recomienda labrar subiendo y bajando las pendientes en lugar de hacerlo en forma de terrazas. La labranza vertical en una pendiente permite un área máxima de plantación y además deja espacio para el cultivo.

NOTA: Cuando realice la labranza en pendientes, asegúrese de mantener el nivel de aceite correcto en el motor (controle cada media hora de funcionamiento). La inclinación de la pendiente hace que el aceite se mueva en sentido oblicuo respecto de su nivel normal y esto puede subalimentar ciertas partes del motor que requieren lubricación. Mantenga el nivel de aceite de motor en el punto más alto en todo momento.

FUNCIONAMIENTO

Labranza cuesta arriba y cuesta abajo

1. Para mantener la erosión del suelo al mínimo, asegúrese de agregar suficiente materia orgánica al suelo para que mantenga un nivel de humedad adecuado, y trate de evitar dejar pisadas o marcas de ruedas.
2. Al realizar la labranza verticalmente, trate de hacer la primera pasada hacia arriba ya que la cultivadora cava con mayor profundidad cuando sube que cuando baja. En suelo blando o donde hay malezas, puede ser necesario que levante las barras de control levemente al ir cuesta arriba. Al realizar la labranza cuesta abajo, traslape la primera pasada en aproximadamente la mitad del ancho de la cultivadora.

Jardinería en terrazas

1. Para crear una terraza, comience en la cima de la pendiente y trabaje hacia abajo. Recorra la primera hilera hacia atrás y hacia adelante. Vea la Figura 20.

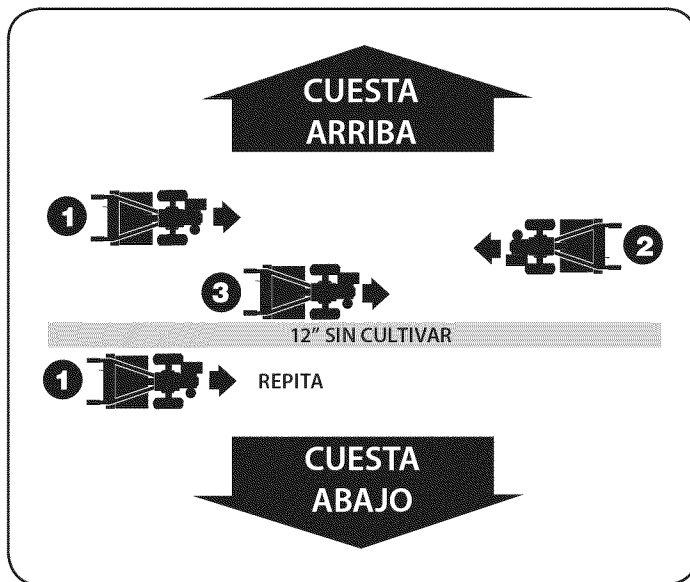


Figure 19

2. El trabajo en cada terraza inferior sucesiva comienza caminando en la terraza debajo de la que está preparando. Para mayor estabilidad de la cultivadora, siempre mantenga la rueda cuesta arriba en el suelo blando, recién labrado. No realice la labranza en las últimas 12" o más del borde exterior cuesta abajo de cada terraza. Esta franja sin labrar ayuda a evitar que las terrazas se quiebren y desintegren cuesta abajo. También proporciona una senda para caminar entre las hileras.

SERVICIO Y MANTENIMIENTO

PROGRAMA DE MANTENIMIENTO

⚠ ADVERTENCIA

Antes de realizar cualquier tipo de mantenimiento o servicio, desenganche todos los controles y detenga el motor. Espere a que se detengan completamente todas las piezas móviles. Desconecte el cable de la bujía y póngalo haciendo masa contra el motor para evitar que se encienda accidentalmente. Utilice siempre anteojos de seguridad durante el funcionamiento o mientras ajusta o repara este equipo.

Siga el cronograma de mantenimiento que se presenta a continuación. Esta tabla sólo describe pautas de servicio. Utilice la columna Registro de Servicio para hacer el seguimiento de las tareas de mantenimiento completadas. **Para ubicar el Centro de Servicio Sears más cercano o para programar un servicio, simplemente comuníquese con Sears al teléfono 1-800-4-MY-HOME®.**

Intervalo	Artículo	Servicio	Registro de servicio
Cada uso	<ol style="list-style-type: none"> Nivel de aceite del motor Piezas sueltas o faltantes Motor y alrededor del silenciador Purificador de aire 	<ol style="list-style-type: none"> Verificar Ajuste o reemplace Limpieza Verificar 	
Tras 2 horas	<ol style="list-style-type: none"> Tensión de la correa de transmisión Tuercas y pernos 	<ol style="list-style-type: none"> Verificar Verificar 	
Tras 5 horas	<ol style="list-style-type: none"> Aceite del motor 	<ol style="list-style-type: none"> Cambiar 	
Cada 10 horas	<ol style="list-style-type: none"> Tensión de la correa de transmisión Unidad 	<ol style="list-style-type: none"> Verificar Lubrique 	
Cada 25 horas	<ol style="list-style-type: none"> Bujía de encendido 	<ol style="list-style-type: none"> Verificar 	
Cada 30 horas	<ol style="list-style-type: none"> Desgaste de los dientes Presión de los neumáticos 	<ol style="list-style-type: none"> Verificar Verificar 	
Cada 50 horas	<ol style="list-style-type: none"> Aceite del motor† 	<ol style="list-style-type: none"> Cambiar 	
Cada 100 horas	<ol style="list-style-type: none"> Purificador de aire Bujía de encendido 	<ol style="list-style-type: none"> Cambiar Cambiar 	
Antes de almacenar	<ol style="list-style-type: none"> Sistema de combustible 	<ol style="list-style-type: none"> Hacer funcionar el motor hasta que se detenga por falta de combustible o agregar aditivo para gasolina a la que se encuentra en el tanque. 	

† Cambie el aceite cada veinticinco horas si el motor trabaja con cargas pesadas o a elevada temperatura.

⚠ ADVERTENCIA

siempre detenga el motor y desconecte el cable de la bujía antes de hacer cualquier tipo de mantenimiento o ajustes. Utilice siempre anteojos de seguridad durante el funcionamiento o mientras ajusta o repara este equipo.

RECOMENDACIONES GENERALES

- Siempre observe todas las reglas de seguridad que se encuentran en las etiquetas del producto y en el manual del operador cuando va a realizar mantenimiento. Las reglas de seguridad se encuentran en las etiquetas del producto y en este manual del operador a partir de la página 3.
- La garantía de esta cultivador no cubre elementos que han estado sujetos al mal uso o negligencia del operador. Para recibir el reembolso total de la garantía, el operador deberá dar mantenimiento al equipo tal y como se indica en este manual.
- Algunos ajustes deben ser realizados periódicamente para el mantenimiento adecuado de la unidad.
- Revise periódicamente todos los sujetadores y compruebe que estén bien ajustados.

MANTENIMIENTO DEL MOTOR

Control de la bujía de encendido

⚠ ADVERTENCIA

NO pruebe la chispa si no está la bujía de encendido. NO dé arranque al motor si no está la bujía de encendido.

⚠ ADVERTENCIA

Si el motor ha estado funcionando, el silenciador estará muy caliente. Tenga cuidado de no tocar el silenciador.

⚠ PRECAUCIÓN

La bujía debe estar firmemente asegurada. Si la bujía no está bien asegurada puede calentarse mucho y dañar el motor.

Para asegurarse de que el motor funcione bien, la bujía debe tener una separación correcta y debe estar libre de depósitos. Controle la bujía cada 25 horas y reemplácela cada 100 horas.

SERVICIO Y MANTENIMIENTO

1. Retire la funda de bujía y utilice una llave para bujías para extraer la bujía. Vea la Figura 21.

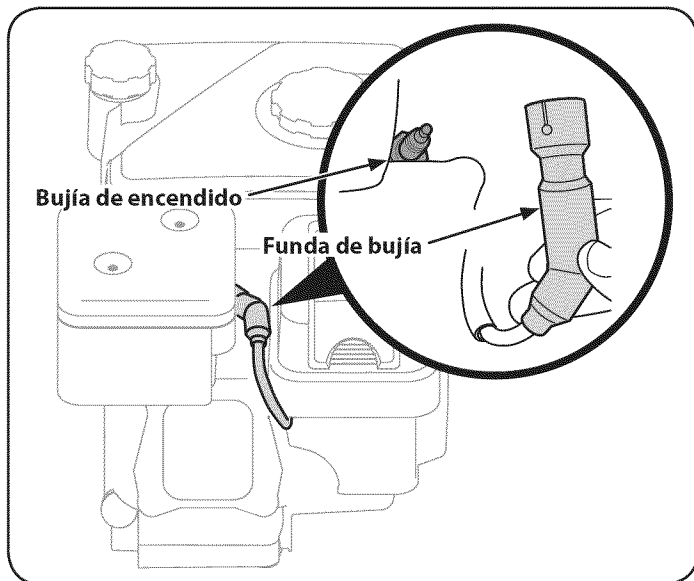


Figura 21

2. Inspeccione visualmente la bujía. Elimine la bujía si presenta mucho desgaste, o si el aislante está agrietado o astillado. Limpie la bujía con un cepillo de alambre si se va a reutilizar.
3. Mida la separación de bujía con un calibrador. Corrija de ser necesario torciendo el electrodo lateral. Vea la figura 22. La separación debe establecerse en 0,030 pulg.

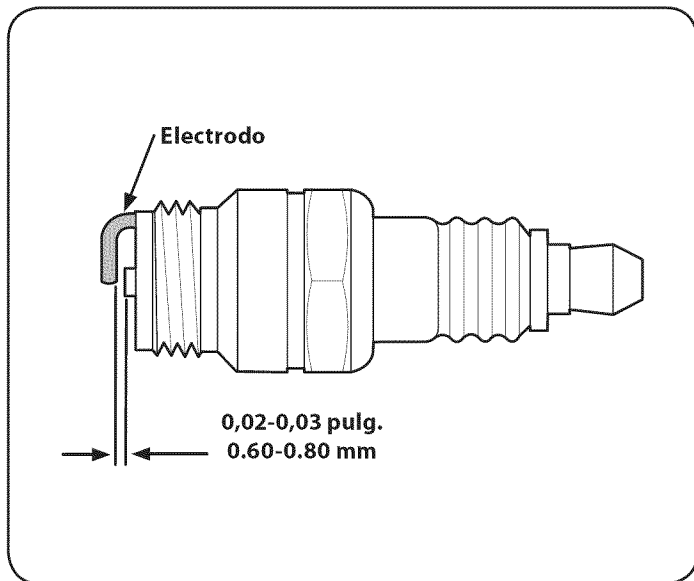


Figura 22

4. Verifique que la arandela de la bujía esté en buenas condiciones y coloque la bujía enroscándola a mano para no estropear la rosca.
5. Una vez que la bujía está asentada en su lugar, ajuste con una llave para bujía para comprimir la arandela.

NOTA: Cuando instale una bujía nueva, una vez asentada la bujía, ajuste 1/2 vuelta para comprimir la arandela. Cuando vuelva a colocar una bujía usada, una vez asentada la bujía ajuste 1/8 - 1/4 de vuelta para comprimir la arandela.

Mantenimiento del filtro de aire.

⚠ ADVERTENCIA

Nunca use gasolina o solventes de punto de encendido bajo para limpiar el elemento del depurador de aire. Podría producirse un incendio o explosión.

El filtro de aire evita el ingreso al carburador de suciedad, polvo, etc. perjudiciales y evita que los mismos sean introducidos dentro del motor. Además, dicho filtro es importante para la vida útil y el rendimiento del motor. No ponga nunca en funcionamiento el motor sin haber montado totalmente el filtro de aire. Verifique el depurador de aire antes de cada uso.

Los filtros de papel no se pueden limpiar. Se deben reemplazar una vez al año o cada 100 horas de funcionamiento y con mayor frecuencia si se utilizan en lugares donde hay gran cantidad de polvo.

1. Oprima la pestaña de la tapa del filtro de aire, levante la tapa y retire el filtro. Vea la Figura 23.

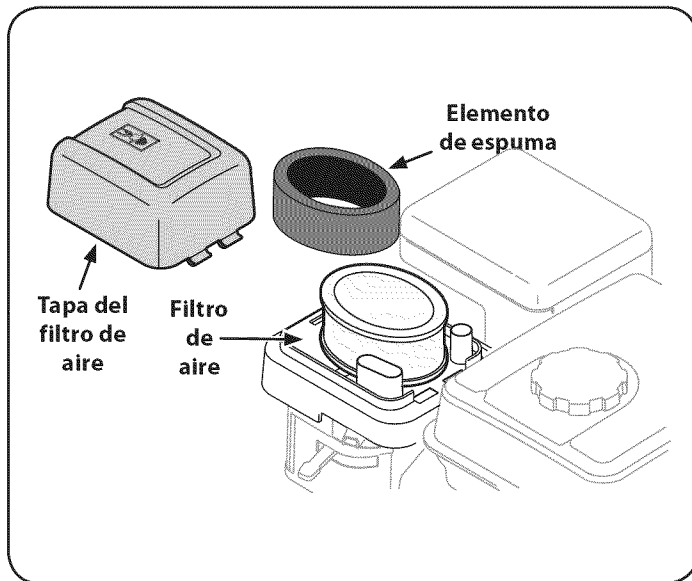


Figura 23

2. Deseche el filtro de aire usado.
3. Instale el filtro de aire nuevo.
4. Cierre la cubierta.

NOTA: Si el filtro está roto o dañado, cámbielo.

Limpieza del motor

⚠ PRECAUCIÓN

No rocíe el motor con agua para limpiarlo porque el agua podría contaminar el combustible. Si se utiliza una manguera de jardín o equipo de lavado a presión también puede entrar agua dentro de la abertura del silenciador. El agua que pasa por el silenciador puede ingresar en el cilindro, causando daños.

⚠ ADVERTENCIA

La acumulación de residuos alrededor del silenciador podría producir un incendio. Inspecciónelo y límpielo antes de cada uso.

Si el motor ha estado funcionando, déjelo enfriar durante por lo menos media hora antes de limpiarlo. De manera regular, elimine la acumulación de suciedad del motor. Limpie alrededor del silenciador. Limpie con un cepillo o aire comprimido.

SERVICIO Y MANTENIMIENTO

Inspeccione el aceite del motor

1. Revise el aceite antes de cada uso. Pare el motor y espere unos minutos antes de comprobar el nivel de aceite. Con el motor a nivel del suelo, el aceite debe ser de marca FULL en la varilla.
2. Consulte la sección de la Asamblea de este manual para obtener instrucciones sobre el control de la petrolera.

Cambie el aceite del motor

- Consulte la tabla de viscosidad (Figura 24) para las recomendaciones del petróleo. No llene demasiado. Use un 4 tiempos, o un detergente de alta equivalente, de primera calidad el aceite de motor certificado para cumplir o exceder los requisitos de EE.UU. fabricante de automóviles para la clasificación de servicios de un nivel mínimo de SF o SG (calificaciones más altas Nota es aceptable como SJ, SL y los grados SM). El aceite de motor mostrará esta denominación en el envase.

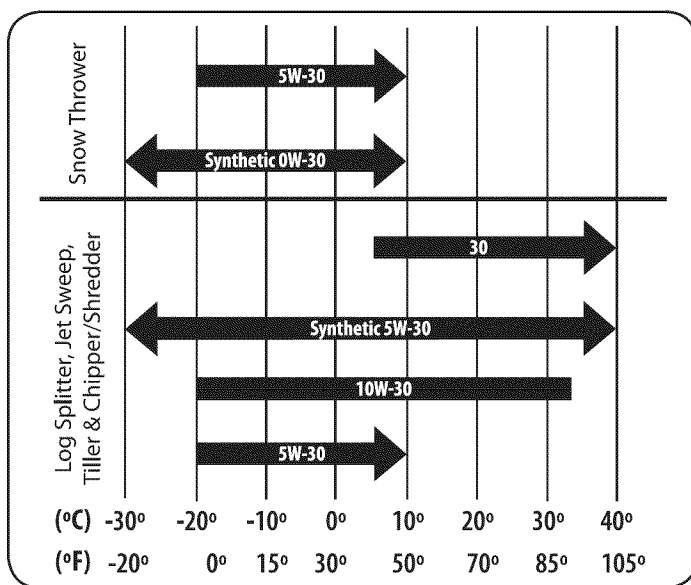


Figura 24

NOTA: No utilice aceite sin detergente o aceite de 2 tiempos motor. Se podría acortar la vida del motor de servicio.

- Cambiar el aceite del motor después de los primeros cinco a ocho horas de operación, y cada cincuenta horas o cada temporada a partir de entonces. Cambio de aceite cada veinticinco horas al funcionamiento del motor bajo carga pesada o en altas temperaturas.

Drenaje del aceite

⚠ ADVERTENCIA

El aceite usado es un residuo peligroso. Deseche el aceite usado correctamente. No lo arroje junto con los residuos domésticos. Consulte a las autoridades locales o al centro de servicio Sears para averiguar dónde hay instalaciones para la eliminación/ reciclaje segura(o) del aceite usado.

⚠ ADVERTENCIA

Antes de inclinar el motor o equipo para drenar el aceite, drene el combustible del depósito haciendo funcionar el motor hasta que el depósito de combustible esté vacío.

⚠ ADVERTENCIA

El aceite usado del motor puede causar cáncer de piel si entra en contacto con la piel de manera reiterada y por periodos prolongados. Si bien esto es improbable a menos que manipule aceite usado todos los días, sin embargo es recomendable lavarse bien las manos con agua y jabón inmediatamente después de haber manipulado aceite usado.

1. Vacíe el combustible del tanque haciendo funcionar el motor hasta que el tanque de combustible esté vacío. Cerciérese de que el tapón de llenado del combustible está bien ajustado.
2. Con el motor apagado pero todavía caliente, desconecte el cable de bujía y manténgalo alejado de la bujía.
3. Extraiga la tapa de extremo de drenaje de aceite que se encuentra en la base del motor, y drene el aceite en un recipiente adecuado. Vea la Figura 25.
4. Vuelva a colocar y ajuste la tapa de extremo de drenaje de aceite.
5. Cuando se ha drenado todo el aceite del motor, coloque el motor en una superficie nivelada. Vuelva a llenar con aproximadamente 20 onzas de aceite nuevo. Llene hasta la línea FULL (lleno) de la varilla de medición. No lo llene en exceso. Consulte Inspeccione el aceite del motor en la sección SERVICIO Y MANTENIMIENTO.
6. Vuelva a colocar el cable de la bujía antes de arrancar la unidad.

LUBRICACIÓN

Después de cada 10 horas de funcionamiento, aceite o engrase los puntos de lubricación- Use aceite lubricante limpio (es adecuado el aceite para motores de peso #30) y grasa de uso general limpia (es preferible grasa que contenga un lubricante de metal, si hay disponible).

- Retire los dientes y limpie el eje de los dientes. Use una lima o papel de lija para quitar suavemente cualquier óxido, rebabas o asperezas (especialmente alrededor de los orificios del eje). Aplique grasa a los extremos del eje antes de instalar los dientes.
- Extraiga la cubierta de la correa y lubrique todos los puntos de pivote y el varillaje con una leve capa de aceite. Mantenga las correas sin lubricación.

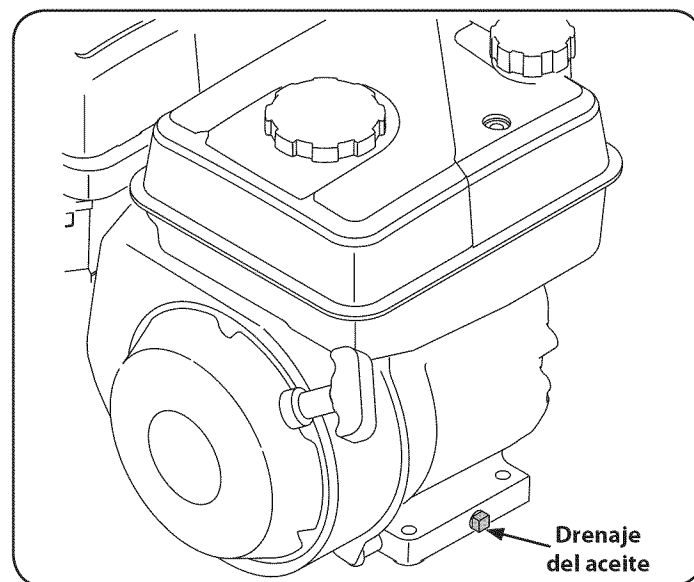


Figura 25

- El cárter de la cadena se entrega previamente lubricado y sellado en fábrica y no requiere mantenimiento.

HARDWARE

Verifique si hay herrajes sueltos o faltantes cada 10 horas de operación y ajústelos o cámbielos (según sea necesario) antes de volver a usar la cultivadora. Asegúrese de inspeccionar los tornillos que están debajo de la cubierta de la cultivadora que sujetan la cubierta de la transmisión y la palanca del regulador de profundidad a la transmisión.

SERVICIO Y MANTENIMIENTO

CAMBIO DE CORREA

⚠ ADVERTENCIA

Antes de llevar a cabo algún tipo de mantenimiento en la máquina, deje que todas las piezas se detengan y desconecte el cable de la bujía. Si no se observan estas instrucciones se pueden producir lesiones personales o daños materiales.

Si la correa de transmisión debe ser reemplazada, asegúrese de utilizar únicamente una correa certificada en fábrica incluida en las páginas de Piezas de este manual del operador, dado que una correa adquirida "sobre el mostrador" puede funcionar de manera no totalmente satisfactoria. El procedimiento requiere habilidad mecánica media y herramientas habitualmente disponibles.

Para reemplazar la correa de transmisión, siga estos pasos:

1. Retire la cubierta de la correa desde el lado izquierdo de la cultivadora retirando los dos tornillos autorroscantes y la tuerca hexagonal y la arandela. Vea la Figura 26.

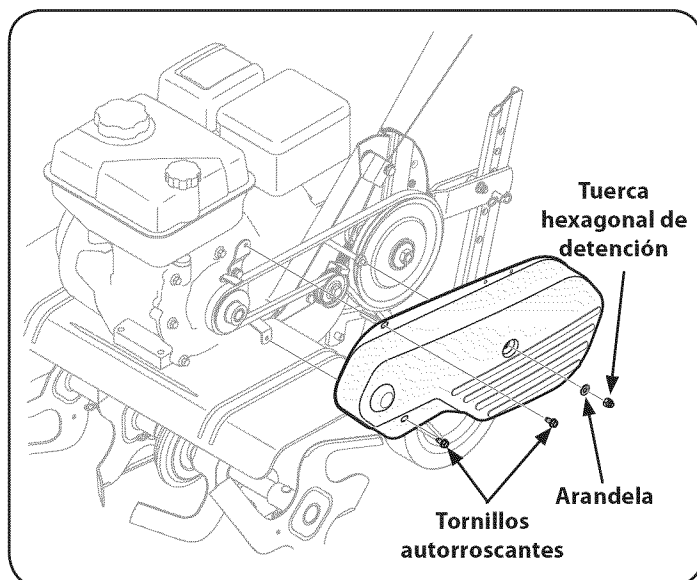


Figura 26

2. Retire el perno de la polea loca y mueva la correa desde debajo del guardacorreas de la polea loca. Vea la Figura 27.

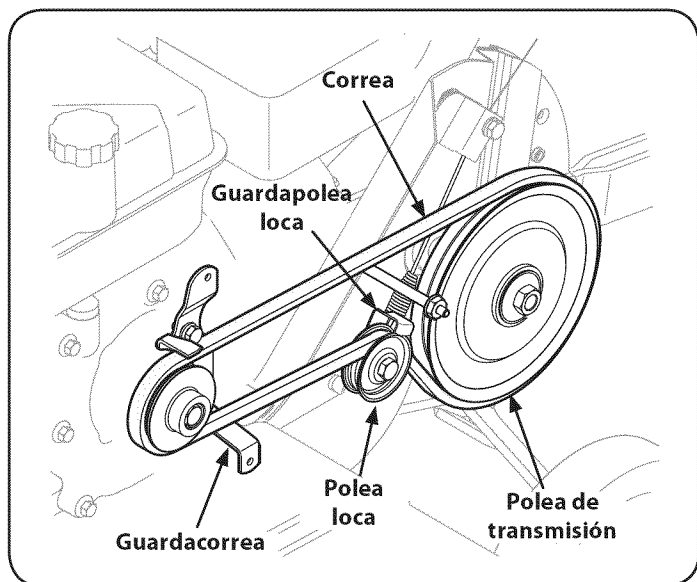


Figura 27

3. Retire el conjunto del guardacorreas de la correa ubicado detrás de la polea del motor extrayendo los dos pernos hexagonales y las arandelas de seguridad. Vea la Figura 27.
4. Extraiga la correa usada de alrededor de la polea de transmisión e instale la nueva correa. Vea la Figura 27.
5. Siga las instrucciones en orden inversa para reinstalar el guardacorreas de la correa y la polea loca.

NOTA: Al volver a armar, asegúrese de que el guardacorreas de la polea loca quede tal como se muestra en la Figura 27. Observe la muesca en la parte inferior del guardacorreas y la alineación cuando vuelva a armar con la correa nueva.

NOTA: Después de volver a instalar el cinturón, vuelva a comprobar el ajuste del cable. Consulte la sección de la Asamblea para obtener instrucciones sobre cómo ajustar el cable.

DIENTES

Los dientes se desgastan con el uso y se los debe inspeccionar al comienzo de cada temporada de labranza y a intervalos de 30 horas de funcionamiento. Los dientes se pueden reemplazar. Consulte el número de pieza en la sección Lista de piezas de este manual.

Inspección de los dientes

Con el uso, los dientes se acortan, se angostan y vuelven puntiagudos. El uso de dientes muy desgastados resultará en pérdida de profundidad de la labranza y en menor eficacia para cortar y girar debajo de la materia orgánica.

Retiro/Instalación de un conjunto de dientes

1. Un conjunto de dientes consta de un conjunto de dientes izquierdo y un conjunto de dientes derecho.

NOTA: Los bordes filosos de los dientes están posicionados para penetrar en el suelo primero cuando rotan. Observe esta posición de los dientes para poder reinstalar los conjuntos de dientes nuevos.

1. Para retirar un conjunto de dientes, simplemente saque el pasador de chaveta asegurando el pasador de horquilla para cada diente. Vea la Figura 28.

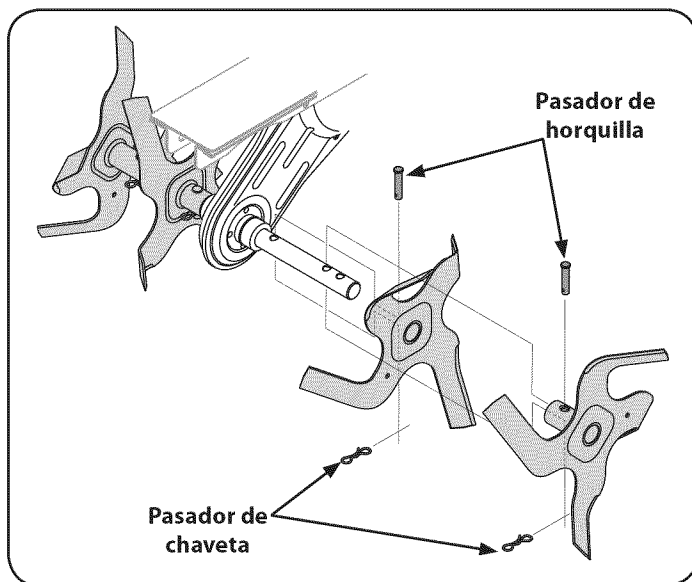


Figura 28

2. Retire el pasador de horquilla para cada diente y deslice el conjunto hacia afuera de la unidad y lejos del eje de los dientes.
3. Antes de volver a instalar el conjunto de dientes, inspeccione el eje de los dientes para verificar si hay óxido, asperezas o rebabas. Lime o lije ligeramente, según sea necesario. Aplique al eje una capa delgada de grasa.
4. Instale cada conjunto de dientes de modo que el borde cortante (filoso) de los dientes penetre el suelo primero cuando la cultivadora se mueva hacia adelante.

ALMACENAMIENTO FUERA DE TEMPORADA

ADVERTENCIA

Nunca almacene la cultivadora con combustible en el tanque en un espacio cerrado o en áreas poco ventiladas donde los gases del combustible puedan llegar a una llama expuesta, una chispa o un piloto como el que tienen algunos hornos, calentadores de agua, secadores de ropa o algún artefacto a gas.

ADVERTENCIA

Nunca deje el motor sin vigilancia mientras está en funcionamiento.

PREPARACIÓN DEL MOTOR

Para almacenar motores entre 30 y 90 días es necesario tratarlos con un estabilizador de gasolina y para almacenarlos durante más de 90 días se debe drenar el combustible para evitar deterioros y la formación de depósitos de goma en el sistema de combustible o en piezas fundamentales del carburador. Si la gasolina en su motor se deteriora durante el almacenamiento, es posible que deba reparar o reemplazar el carburador y otros componentes del sistema de combustible.

1. Extraiga todo el combustible del depósito haciendo funcionar el motor hasta que se detenga por falta de combustible.
2. Cambie el aceite. Consulte el Cambio de aceite en la sección SERVICIO Y MANTENIMIENTO.
3. Retire la bujía y vierta cerca de 1/2 onza de aceite para motor en el cilindro. Vuelva a colocar la bujía y dé marcha al motor lentamente para distribuir el aceite.
4. Limpie la suciedad de las áreas del motor y del silenciador. Retoque la pintura dañada, y revista otras áreas que puedan oxidarse con una película delgada de aceite.
5. Almacene en un sector limpio, seco y bien ventilado, lejos de cualquier artefacto que funcione con una llama o luz piloto como un horno, calentador de agua o secador de ropa. También evite cualquier sector con una chispa produciendo motor eléctrico o donde se utilizan herramientas eléctricas.
6. De ser posible, también evita áreas de almacenamiento con mucha humedad para evitar oxidación y corrosión.
7. Mantenga el motor nivelado cuando lo almacene. La inclinación del motor puede resultar en fugas de combustible o aceite.

PREPARACIÓN DE LA CULTIVADORA

Si la cultivadora no se va a usar durante un período prolongado, prepárela para el almacenamiento de la siguiente forma:

1. Limpie la cultivadora y el motor.
2. Siga las recomendaciones sobre lubricación y verifique si hay partes o piezas sueltas.
3. Almacene la cultivadora en un área limpia y seca.
4. Nunca almacene la cultivadora con combustible en el tanque en un área cerrada donde las emanaciones de la gasolina pueden alcanzar una llama expuesta o chispas, o donde hubiere fuentes de encendido (calefactores, calentadores de agua, hornos, etc.).

SOLUCIÓN DE PROBLEMAS

⚠ ADVERTENCIA

Antes de realizar cualquier tipo de mantenimiento o servicio, desenganche todos los controles y detenga el motor. Espere a que se detengan completamente todas las piezas móviles. Desconecte el cable de la bujía y póngalo haciendo masa contra el motor para evitar que se encienda accidentalmente. Utilice siempre anteojos de seguridad durante la operación o mientras realiza ajustes o reparaciones.

Problema	Causa	Solución
El motor no arranca	<ol style="list-style-type: none"> Se ha desconectado el cable de la bujía. Ajuste incorrecto de la palanca de control del regulador del motor. El depósito de combustible está vacío o el combustible se ha echado a perder. Filtro de aire sucio. Separación defectuosa o incorrecta en la bujía. Ajuste incorrecto del control del regulador. Agua o suciedad en el tanque del combustible. 	<ol style="list-style-type: none"> Reconecte el cable. Coloque la palanca en la posición START (arranque). Llene el tanque con gasolina limpia y nueva. Limpie o cambie el filtro. Limpiela, ajuste la distancia disruptiva o cámbiela. Contacte con su centro de piezas y reparaciones Sears. Contacte con su centro de piezas y reparaciones Sears.
El motor funciona de manera errática	<ol style="list-style-type: none"> Separación defectuosa o incorrecta en la bujía. Filtro(s) de aire sucio(s). Es necesario regular el carburador. Gasolina vieja. Agua o suciedad en el tanque del combustible. Sistema de enfriamiento del motor tapado. 	<ol style="list-style-type: none"> Limpie, ajuste la separación, o cambie la bujía. Limpie o reemplace Contacte con su centro de piezas y reparaciones Sears. Cámbiela por gasolina fresca. Contacte con su centro de piezas y reparaciones Sears. Limpie el sistema de enfriamiento del motor
El motor recalienta	<ol style="list-style-type: none"> Sistema de enfriamiento del motor tapado. Es necesario regular el carburador. Nivel de aceite bajo. 	<ol style="list-style-type: none"> Limpie el área de enfriamiento del motor Contacte con su centro de piezas y reparaciones Sears. Revise el nivel de aceite.
El motor no se apaga.	<ol style="list-style-type: none"> Ajuste incorrecto del control del regulador o del interruptor de encendido. 	<ol style="list-style-type: none"> Contacte con su centro de piezas y reparaciones Sears.
Las ruedas y los dientes no giran	<ol style="list-style-type: none"> Uso incorrecto de los controles. Correa(s) de transmisión desgastada(s), rota(s) o mal ajustada(s). Trasmisión interna desgastada o dañada. Perno suelto en la polea de transmisión. 	<ol style="list-style-type: none"> Revise la sección de Funcionamiento Reemplace o ajuste las correas. Contacte con su centro de piezas y reparaciones Sears. Ajuste el perno.
Dientes no se enciende	<ol style="list-style-type: none"> El uso incorrecto de los controles. Desgastados, rotos o correa de transmisión del mal ajustado. Exteriores objeto presentado en púas. Horquilla de Tine pin (s) que faltan. 	<ol style="list-style-type: none"> Sección de Operación de revisión. Reemplazar o ajustar el cinturón. Objeto de desalojar a extranjeros. Reemplazar púas horquilla pin (s).
Bajo rendimiento en la labranza	<ol style="list-style-type: none"> Dientes desgastados. Incorrect throttle setting. Correa de transmisión del deslizamiento. 	<ol style="list-style-type: none"> Reemplazar Tines. Vea la sección de Servicio y Mantenimiento de. Vea la sección de Servicio y Mantenimiento de.

¿NECESITA MÁS AYUDA?

Encontrará la respuesta y más en managemylife.com - ¡sin cargo!

- Éste y los manuales de todos sus otros productos los encontrará en línea.
- Sus preguntas serán respondidas por nuestro equipo de especialistas.
- Obtenga un plan de mantenimiento personalizado para su hogar.
- Encuentre información y herramientas que lo ayudarán con los proyectos domésticos.

 **managemylife**

presentado por Sears

NOTAS

(Esta página se aplica sólo en EE.UU. y Canadá).

**Sears Brands Management Corporation, el Consejo de Recursos Ambientales de California (CARB)
y la Agencia de Protección Ambiental de los Estados Unidos (EPA)**

Declaración de garantía del sistema de control de emisiones (derechos y obligaciones de la garantía de defectos del propietario)

LA COBERTURA DE LA GARANTÍA DE CONTROL DE EMISIONES ES APLICABLE A LOS MOTORES CERTIFICADOS COMPRADOS EN CALIFORNIA EN 1995 Y POSTERIORMENTE, QUE SE UTILIZAN EN CALIFORNIA,

Declaración de garantía sobre defectos en el control de emisiones para California y los Estados Unidos

El Consejo de Recursos Ambientales de California (CARB), la EPA (Agencia de Protección Ambiental de los EE.UU.) y Sears tienen el gusto de explicar la garantía del sistema de control de emisiones para motores del año 2000 y para el futuro con relación a motores pequeños todo terreno (SORE). En California, los nuevos motores pequeños todo terreno deben estar diseñados, construidos y equipados para cumplir con las rigurosas normas anti-smog del estado. En el resto de los Estados Unidos, los motores nuevos todo terreno de encendido por chispa certificados para el año 1997 deben cumplir estándares similares establecidos por la EPA. Sears debe garantizar el sistema de control de emis-

Y PARA LOS MODELOS CERTIFICADOS DEL AÑO 1997 Y POSTERIORES, QUE SE COMPREN Y UTILICEN EN CUALQUIER PARTE DE LOS ESTADOS UNIDOS (Y A PARTIR DEL 1 DE ENERO DE 2001 EN CANADÁ).

iones de su motor para los períodos de tiempo enumerados a continuación, siempre que no haya abuso, negligencia o mantenimiento indebido de su motor todo terreno pequeño. Su sistema de control de emisiones puede incluir piezas tales como el carburador, el filtro de aire, el sistema de encendido, el silenciador y el convertidor catalítico. También puede incluir conectores y otras unidades relacionadas con las emisiones. Donde exista una condición cubierta por la garantía, Sears reparará su pequeño motor todo terreno sin costo alguno incluyendo diagnóstico, piezas y mano de obra

Cobertura de la garantía Sears para defectos en el control de emisiones

Los motores todo terreno pequeños están garantizados en lo relativo al control de emisiones para defectos en piezas durante un período de dos años, sujeto

Responsabilidades del propietario en relación con la garantía

Como propietario del motor todo terreno pequeño, Ud. es responsable de la realización del mantenimiento requerido que se incluye en las instrucciones de operación y mantenimiento. Sears recomienda que se conserven todos los recibos relativos al mantenimiento de su motor todo terreno pequeño, pero no puede denegar la garantía simplemente por la falta de los mismos, o por su incumplimiento del mantenimiento programado. Como propietario del motor pequeño todoterreno debe saber que, sin embargo, Sears le puede negar la cobertura de la garantía si su motor todoterreno pequeño o una pieza del mismo han fallado debido a abuso, negligencia, mantenimiento indebido o

a las disposiciones que se indiquen a continuación. Si una parte de su motor cubierta por la garantía es defectuosa, Sears reparará o sustituirá dicha parte.

a modificaciones no aprobadas. Ud. es responsable de presentar su motor todoterreno pequeño a un distribuidor de servicios Sears autorizado tan pronto como aparezca un problema. Las reparaciones de la garantía sin conflicto deben completarse en un plazo de tiempo razonable, no superior a 30 días. Si tiene alguna pregunta respecto a sus derechos y responsabilidades referentes a la garantía, debe contactar con un representante de servicios Sears al 1-800-469-4663. La garantía de emisiones es una garantía por defectos. Los defectos se juzgan de acuerdo con el funcionamiento normal de un motor. La garantía no está relacionada con una prueba de emisiones en uso.

Disposiciones de la garantía Sears para defectos en el control de emisiones

Las siguientes son disposiciones específicas relacionadas con la cobertura de la garantía para defectos en el control de emisiones. Es un añadido a la garantía de motor Sears para motores no regulados que se encuentra en las instrucciones de funcionamiento y mantenimiento.

1. Piezas con garantía

La cobertura de esta garantía se extiende únicamente a las piezas que aparecen a continuación (las partes de los sistemas de control de emisiones), siempre que dichas piezas estuvieran ya en el motor en el momento de su compra.

- a. Sistema de medición de combustible
 - Sistema de enriquecimiento para arranque en frío
 - Carburador y partes internas
 - Bomba de combustible
 - b. Sistema de inducción de aire
 - Filtro de aire
 - Colector de admisión
 - c. Sistema de encendido
 - Bujía(s) de encendido
 - Sistema de encendido magneto
 - d. Sistema del catalizador
 - Convertidor catalítico
 - Colector de escape
 - Sistema de inyección de aire o válvula de impulsos
 - e. Elementos variados usados en los sistemas anteriores
 - Válvulas de vacío, sensibles a temperatura, posición y tiempo e interruptores
 - Conectores y montajes
2. Alcance de la cobertura
- Sears garantiza al poseedor inicial y a los compradores subsiguientes que las piezas con garantía no tendrán defectos en materiales ni mano de obra que provoquen la falla de las mismas durante un período de dos años a partir de la fecha en que el motor se entrega a un comprador particular.
3. Sin cargo
- La reparación o reemplazo de cualquier parte con garantía se realizará

sin cargo alguno para el poseedor, incluyendo tareas de diagnóstico que permitan determinar si una parte con garantía es defectuosa, siempre que dicho diagnóstico se realice en un distribuidor de servicios Sears autorizado. Para el servicio de la garantía de emisiones, contacte al distribuidor de servicios Sears autorizado más cercano incluido en las "Páginas amarillas" en las categorías "Motores, gasolina", "Motores de gasolina", "Podadoras de césped", o similares.

4. Reclamaciones y exclusiones a la cobertura

Las reclamaciones de la garantía deben enviarse de acuerdo con las disposiciones de la política de garantía para motores Sears. La cobertura de la garantía excluirá defectos en piezas con garantía que no sean partes originales Sears, o abuso, negligencia o mantenimiento incorrecto, tal y como se establece en la política de garantía para motores Sears. Sears no es responsable de las fallas en piezas con garantía provocadas por el uso de partes añadidas, que no sean originales o que se hayan modificado.

5. Mantenimiento

Cualquier parte con garantía que no esté programada para ser reemplazada como mantenimiento requerido, o que sólo deba inspeccionarse regularmente al efecto de "inspeccione o reemplace según sea necesario", estará garantizada contra defectos durante el período de la garantía. Todas las piezas garantizadas que estén programadas para su reemplazo para cumplir con los requisitos de mantenimiento estarán garantizadas sólo por el período anterior al primer reemplazo programado para dicha pieza. Cualquier pieza de recambio que sea equivalente en funcionamiento y durabilidad puede usarse para realizar mantenimiento o reparaciones. El propietario es responsable de realizar todo el mantenimiento requerido, tal y como se define en las instrucciones de funcionamiento y mantenimiento Sears

6. Cobertura indirecta

Por la presente, la cobertura se extiende a la falla de cualquier componente de motor provocada por la falla de una pieza con garantía que esté todavía en período de garantía.

En los Estados Unidos y Canadá hay una línea de atención de 24 horas, **1-800-469-4663**, que cuenta con un menú con mensajes pre-grabados que contienen información para el mantenimiento de motores.

Busque el período de duración de emisiones importantes y la información de clasificación de aire en la etiqueta de emisiones de su motor

Los motores cuyo cumplimiento con los estándares de emisión Tier 2 de la Comisión de Recursos Ambientales de California (CARB) esté certificado deben exhibir la información relacionada con el período de duración de las emisiones y la clasificación de aire. Sears Brands Management Corporation ponen esta información a disposición del consumidor en nuestras etiquetas de emisiones.

El Período de Duración de las Emisiones describe el número de horas de tiempo real de funcionamiento para el cual se certifica que el motor cumple con las reglas de emisión, descontando el mantenimiento adecuado del mismo según las instrucciones de operación y mantenimiento. Se utilizan las siguientes categorías:

Moderado: Se certifica que el motor cumple con las reglas de emisión durante 125 horas de tiempo real de funcionamiento del motor.

Inmediato: Se certifica que el motor cumple con las reglas de emisión durante 250 horas de tiempo real de funcionamiento del motor.

Extendido: Se certifica que el motor cumple con las reglas de emisión durante 500 horas de tiempo real de funcionamiento del motor.

Por ejemplo, una cortadora de césped típica que se empuja desde atrás se usa entre 20 y 25 horas por año. Por lo tanto, el **Período de Duración de Emisiones** de un motor con una **clasificación intermedia** sería equivalente a entre 10 y 12 años.

La **clasificación de aire** es un número calculado para describir el nivel relativo de emisiones para un grupo de motores en particular. Cuanto menor sea la **clasificación de aire**, mayor es la limpieza del motor. La información se presenta de forma gráfica en la etiqueta de emisiones.

Después del 1 de julio de 2000, busque el período de cumplimiento de las reglas de emisiones en la etiqueta de cumplimiento de las reglas de emisiones del motor

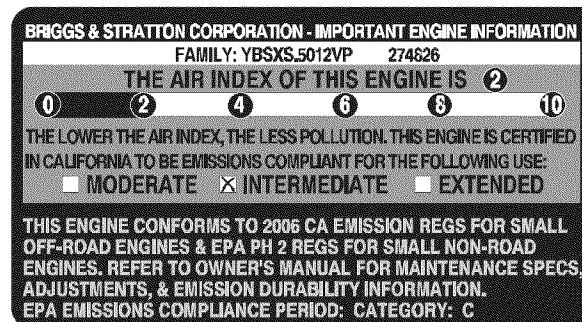
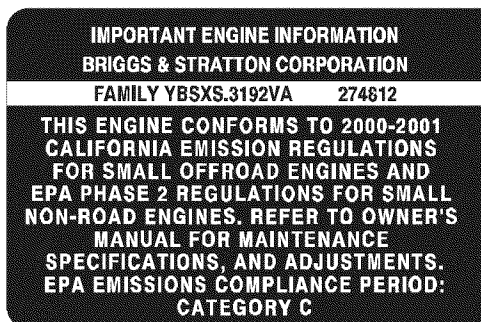
Después del 1 de julio de 2000 se certificará que determinados motores Sears Brands Management Corporation cumplen con los estándares de emisiones de la fase 2 de la Agencia de Protección Ambiental de los Estados Unidos (USEPA). Para los motores certificados para la etapa 2, el período de cumplimiento con las reglas de emisiones al cual se hace referencia en la etiqueta de cumplimiento con las reglas de emisiones indica el número de horas de funcionamiento para el cual se ha demostrado que el motor cumple con los requerimientos federales de emisión.

Para los motores con desplazamiento inferior a 225 cc, Categoría C = 125 horas, B = 250 horas y A = 500 horas.

Para los motores con desplazamiento de 225 cc o más, Categoría C = 250 horas, B = 500 horas y A = 1000 horas.

El desplazamiento de los motores de la serie modelo 150112 es 249 cc.

La presente es una representación genérica de la etiqueta de emisión que se encuentra generalmente en un motor certificado.



ACUERDO DE PROTECCIÓN PARA REPARACIONES

Felicitaciones por haber realizado una adquisición inteligente. El producto Craftsman® que ha adquirido está diseñado y fabricado para brindar muchos años de funcionamiento confiable. Pero como todos los productos a veces puede requerir de reparaciones. Es en ese momento cuando el disponer de un Acuerdo de protección para reparaciones le puede ahorrar dinero y problemas.

A continuación se detallan los puntos incluidos en el Acuerdo:

- ☑ **Servicio experto** prestado por nuestros 10,000 especialistas en reparaciones profesionales
- ☑ **Servicio ilimitado sin cargo** para las piezas y la mano de obra en todas las reparaciones cubiertas
- ☑ **Reemplazo del producto** hasta 1500 dólares si no es posible reparar el producto cubierto
- ☑ **Descuento de 25%** del precio normal del servicio y de las piezas relacionadas con el mismo que no estén cubiertas por el acuerdo; además, 25% del precio normal de la verificación de mantenimiento preventivo
- ☑ **Ayuda rápida por teléfono** - lo llamamos Resolución Rápida – el apoyo telefónico de un Chamusca al representante. Piense en nosotros como el manual “de un dueño hablador.”

Una vez adquirido el Acuerdo, puede programar el servicio con tan sólo realizar una llamada telefónica. Puede llamar en cualquier momento del día o de la noche o programar un servicio en línea.

El Acuerdo de Protección de Reparación es una compra sin riesgo. Si usted anula por alguna razón durante el período de garantía de producto, proporcionaremos un reembolso lleno. O, un reembolso prorrateado en cualquier momento después del período de garantía de producto expira. ¡Adquiera hoy su acuerdo de protección para reparaciones!

Se aplican determinadas limitaciones y exclusiones. Para obtener información adicional y precios en los Estados Unidos llame al 1-800-827-6655.

El *Coverage en Canadá varía en algunos artículos. Para detalles llenos la llamada Chamusca Canadá en 1-800-361-6665.

Servicio de instalación de Sears

Si desea solicitar la instalación profesional de Sears de aparatos domésticos, dispositivos para abrir portones, calentadores de agua y otros artículos domésticos importantes, en los Estados Unidos o Canadá llame al **1-800-4-MY-HOME®**.

Get it fixed, at your home or ours!

Your Home

For troubleshooting, product manuals and expert advice:



www.managemylife.com

For repair – **in your home** – of **all** major brand appliances, lawn and garden equipment, or heating and cooling systems, **no matter who made it, no matter who sold it!**

For the replacement parts, accessories and owner's manuals that you need to do-it-yourself.

For Sears professional installation of home appliances and items like garage door openers and water heaters.

1-800-4-MY-HOME[®] (1-800-469-4663)

Call anytime, day or night (U.S.A. and Canada)

www.sears.com www.sears.ca

Our Home

For repair of carry-in items like vacuums, lawn equipment, and electronics, call anytime for the location of your nearest

Sears Parts & Repair Service Center

1-800-488-1222 (U.S.A.)

www.sears.com

1-800-469-4663 (Canada)

www.sears.ca

To purchase a protection agreement on a product serviced by Sears:

1-800-827-6655 (U.S.A.)

1-800-361-6665 (Canada)

Para pedir servicio de reparación a domicilio, y para ordenar piezas:

1-888-SU-HOGAR[®]

(1-888-784-6427)

www.sears.com

Au Canada pour service en français:

1-800-LE-FOYER^{MC}

(1-800-533-6937)

www.sears.ca

sears

® Registered Trademark / TM Trademark of KCD IP, LLC in the United States, or Sears Brands, LLC in other countries

® Marca Registrada / TM Marca de Fábrica de KCD IP, LLC en Estados Unidos, o Sears Brands, LLC in otros países

^{MC} Marque de commerce / ^{MD} Marque déposée de Sears Brands, LLC