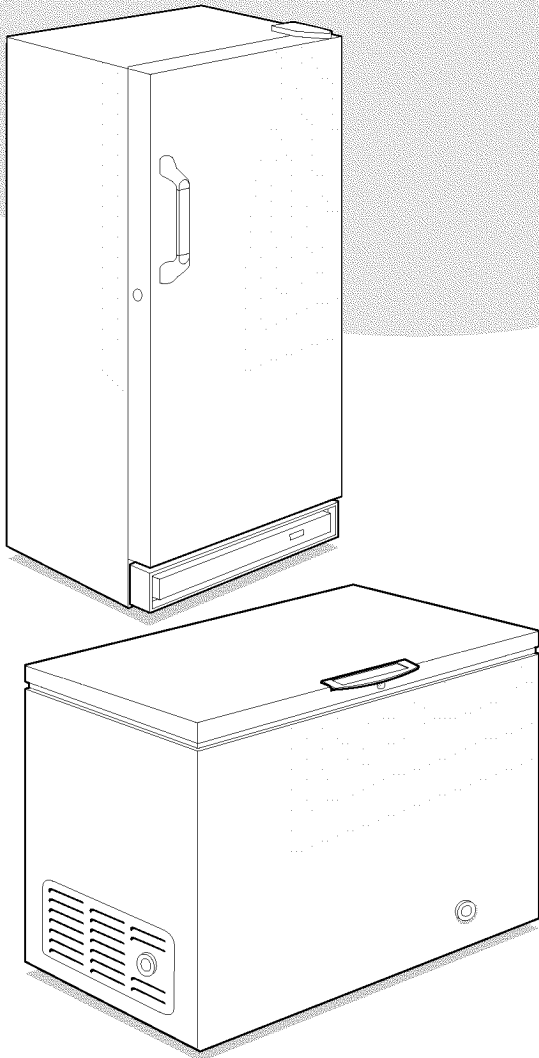


Frigidaire

Use & Care Manual

Freezer



<u>Product Registration</u>	2
<u>Energy Saving Ideas</u>	2
<u>Important Safety Instructions</u>	3
<u>First Steps</u>	4
<u>Setting the Temperature Control</u>	5
<u>Freezer Optional Features</u>	5 - 6
<u>Care and Cleaning</u>	7
<u>Power Failure/Freezer Failure</u>	8
<u>Avoid Service Checklist</u>	9 - 10
<u>Warranty</u>	11

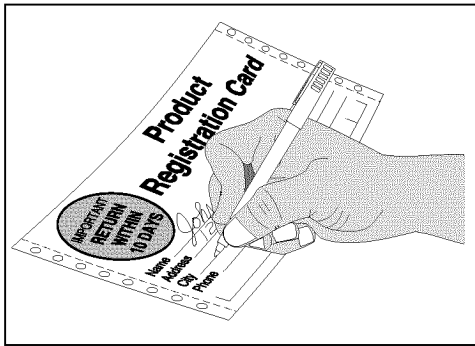
READ AND SAVE THESE INSTRUCTIONS

P/N 216802800 (0103)



Product Registration

The information contained in this **Owner's Guide** will instruct you on how to properly operate and care for your product. Please read through the information contained in your literature pack to learn more about your new appliance.



Record Your Model and Serial Numbers

Record the Model No. and Serial No. of this freezer in the space provided below.

Model No. _____

Serial No. _____

Register Your Product

The self-addressed PRODUCT REGISTRATION CARD (shown left) should be filled in completely, signed and returned to Electrolux Home Products.

Versión en español

Si desea obtener una copia en español de este Manual del Usuario, sírvase escribir a la dirección que se incluye a continuación. Solicite la P/N 216802900.

Spanish Owner's Guides
Electrolux Home Products
P.O. Box 212378
Augusta, GA 30917

This Owner's Guide provides operating instructions for your model.
Use your freezer only as instructed in this Owner's Guide.

Energy Saving Ideas



- The freezer should be located in the coolest area of the room, away from heat producing appliances or heating ducts, and out of direct sunlight.
- Let hot foods cool to room temperature before placing in the freezer. Overloading the freezer forces the compressor to run longer. Foods that freeze too slowly may lose quality or spoil.
- Be sure to wrap foods properly and wipe containers dry before placing them in the freezer. This cuts down on frost build-up inside the freezer.
- Freezer shelves and baskets should not be lined with aluminum foil, wax paper, or paper toweling. Liners interfere with cold air circulation, making the freezer less efficient.
- Organize and label food to reduce door openings and extended searches. Remove as many items as needed at one time, and close door as soon as possible.

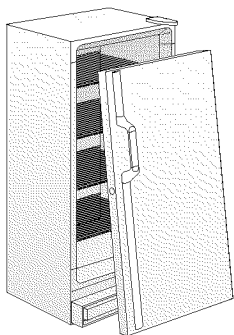
Important Safety Instructions

Proper Disposal of Your Refrigerator/Freezer

⚠ WARNING Risk of child entrapment. Child entrapment and suffocation are not problems of the past. Junked or abandoned refrigerators or freezer are still dangerous — even if they will sit for “just a few days.” If you are getting rid of your old refrigerator or freezer, please follow the instructions below to help prevent accidents.

BEFORE YOU THROW AWAY YOUR OLD REFRIGERATOR/FREEZER:

- Remove doors.
- Leave shelves in place so children may not easily climb inside.



⚠ WARNING Avoid fire hazard or electric shock. Do not use an extension cord or an adapter plug. Do not remove any prong from power cord.

Grounding type wall receptacle



Do not under any circumstances cut, remove, or bypass the grounding prong from this plug.

Power supply cord with 3-prong grounding plug



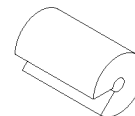
Read all instructions before using this freezer.

⚠ WARNING For Your Safety

Do not store or use gasoline or other flammable vapors and liquids in the vicinity of this or any other appliance. Read product labels for flammability and other warnings.

⚠ WARNING Child Safety

- Destroy carton, plastic bags, and any exterior wrapping material immediately after the freezer is unpacked. Children should never use these items for play. Cartons covered with rugs, bedspreads, plastic sheets or stretch wrap may become airtight chambers and can quickly cause suffocation.
- **A child might suffocate if he crawls into a freezer to hide or play. Remove the door of a freezer when not in use, even if you plan to discard the freezer.** Many communities have laws requiring you to take this safety precaution.
- Remove and discard any spacers used to secure the shelves during shipping. Small objects are a choke hazard to children.



⚠ WARNING Electrical Information

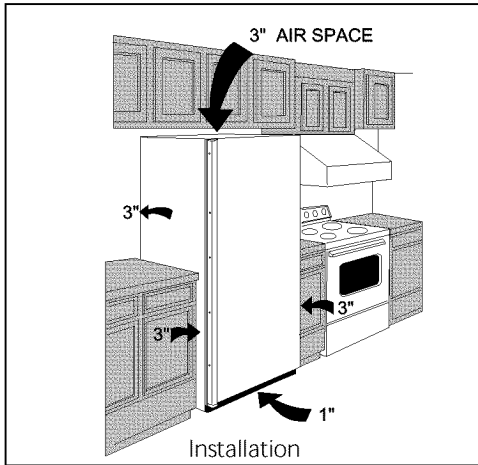
These guidelines must be followed to ensure that safety mechanisms in the design of this freezer will operate properly.

- **Refer to the serial plate for correct electrical rating.** The power cord of the appliance is equipped with a three-prong grounding plug for protection against shock hazards. It must be plugged directly into its own properly grounded three-prong receptacle, protected with a 15 amp time delay fuse or circuit breaker. The receptacle must be installed in accordance with the local codes and ordinances. Consult a qualified electrician. Receptacles protected by Ground Fault Circuit Interrupters (GFCI) are NOT RECOMMENDED. **DO NOT use an extension cord or adapter plug.**
- If voltage varies by 10 percent or more, freezer performance may be affected. Operating the freezer with insufficient power can damage the motor. Such damage is not covered under the warranty. If you suspect your household voltage is high or low, consult your power company for testing.
- To prevent the freezer from being turned off accidentally, do not plug unit into an outlet controlled by a wall switch or pull cord.
- Do not pinch, knot, or bend power cord in any manner.

⚠ WARNING Other Precautions

- Never unplug the freezer by pulling on the power cord. Always grip the plug firmly and pull straight out from the receptacle.
- Turning the control to OFF turns off the compressor, but does not disconnect power to other electrical components.

First Steps



Before starting the freezer, follow these important first steps:

Installation

- Choose a place that is near a grounded electrical outlet.
- The freezer should be located where surrounding temperatures will not exceed 110°F (43°C). Temperatures of 32°F (0°C) and below will NOT affect freezer operation. Additional compressor heaters are not recommended.
- *Allow space around the unit for good air circulation.* Leave a 3 inch (75 mm) space on all sides of the freezer for adequate circulation.

Leveling

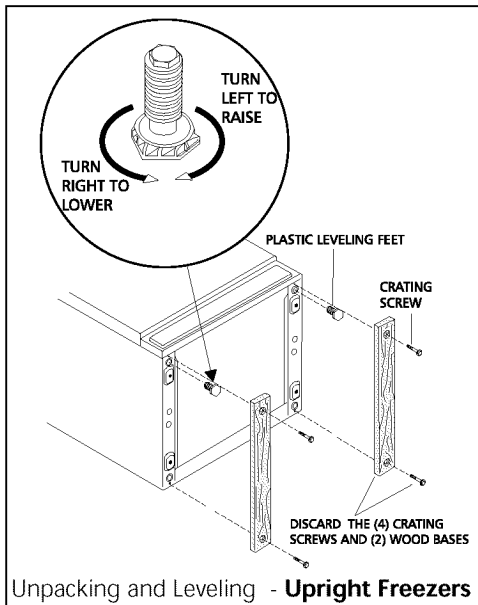
The freezer must have all bottom corners resting firmly on a solid floor. The floor must be strong enough to support a fully loaded freezer. **NOTE:** It is VERY IMPORTANT for your freezer to be level in order to function properly. If the freezer is not leveled during installation, the door may be misaligned and not close or seal properly, causing cooling, frost, or moisture problems.

To Level Upright Unit:

After discarding crating screws and wood base, use a carpenter's level to level the freezer from front-to-back. Adjust the plastic leveling feet in front, ½ bubble higher, so that the door closes easily when left halfway open.

To Level Chest Unit:

If needed, add metal or wood shims between feet pads and floor.



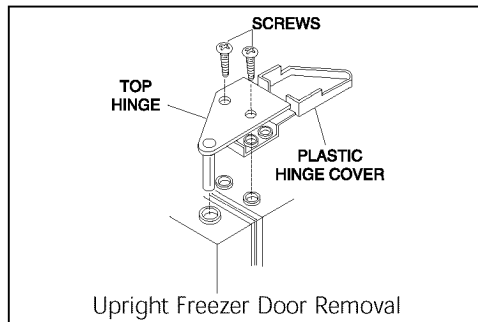
Cleaning

- Wash any removable parts, the freezer interior, and exterior with mild detergent and warm water. Wipe dry. **DO NOT USE HARSH CLEANERS ON THESE SURFACES.**
- Do not use razor blades or other sharp instruments, which can scratch the appliance surface when removing adhesive labels. Any glue left from the tape can be removed with a mixture of warm water and mild detergent, or touch the residue with the sticky side of tape already removed. **DO NOT REMOVE THE SERIAL PLATE.**

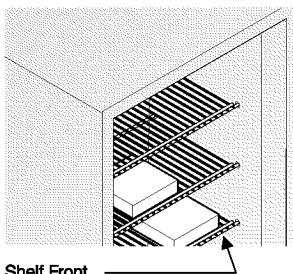
Upright Freezer Door Removal

If door must be removed:

1. Lift up plastic hinge cover and fold back.
2. Use a Phillips® screwdriver to loosen and retighten the screws on the top hinge to ensure that a secure assembly and prevent hinge slippage.
3. Remove the top hinge from cabinet and lift door off the lower hinge pin.
4. After door is removed, remove the two screws from the bottom hinge.
5. To replace door, reverse above order.



CAUTION To allow door to close and seal properly, DO NOT let food packages extend past the front of shelves.



Shelf Front

Setting the Temperature Control

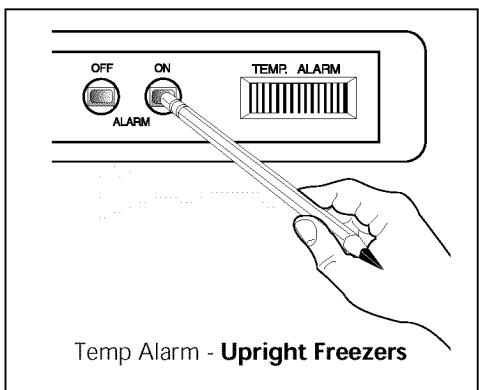
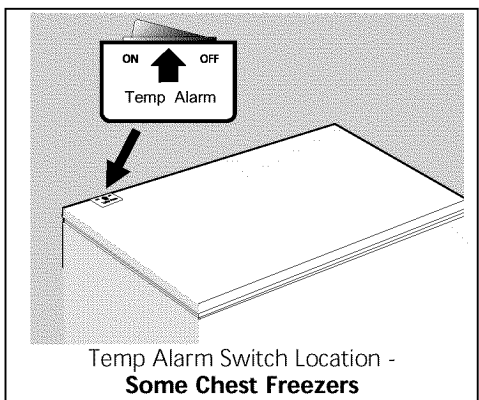
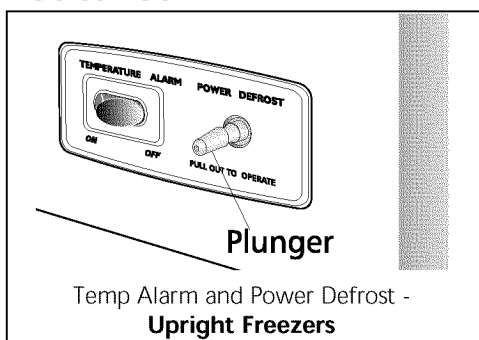
Cool Down Period

- For safe food storage, allow 4 hours for freezer to cool down completely. The freezer will run continuously for the first several hours. Foods that are already frozen may be placed in freezer after the first few hours of operation. Unfrozen foods should NOT be loaded into freezer until freezer has operated for 4 hours.
- When loading freezer, freeze only 3 pounds of fresh food per cubic foot of freezer space at one time. Distribute packages to be frozen evenly throughout the freezer. It is not necessary to turn control knob to a colder setting while freezing food.

Temperature Control

The temperature control is located inside the freezer on upright models, and on the left outside wall on chest models. The temperature is factory preset to provide satisfactory food storage temperatures. However, the temperature control is adjustable to provide a range of temperatures for your personal satisfaction. If a colder temperature is desired, turn the temperature control knob toward COLD-EST and allow several hours for temperatures to stabilize between adjustments.

Freezer Optional Features



NOTE: Your freezer may have some, or all of the features listed below. Become familiar with these features, and their use and care.

Power On Light

The Power On Light indicates that the freezer is properly connected to electrical power. The light glows even when the temperature control is turned to OFF. If the light goes out, refer to "Freezer does not run" in the Avoid Service Checklist.

Temp Alarm (audible only or audible with warning light)

This feature is designed to provide a warning of possible malfunction. If the temperature of the food rises to a level unsafe for long-term storage, the buzzer will sound. The red light will also glow on models so equipped. The Temp Alarm feature operates on household electricity. If power fails, the alarm will not perform. An ON/OFF switch allows you to deactivate the Temp Alarm when not wanted. The freezer is shipped with Temp Alarm in the OFF position. After freezer has run approximately 4 hours, the red light, if equipped, will go off. Then you may activate the Temp Alarm without the alarm sounding.

Press the ON switch to activate the Temp Alarm. To deactivate, press the OFF switch.

If the alarm sounds, be sure freezer is properly leveled, and the door closes freely, and seals properly. If you suspect a technical malfunction, call an authorized servicer immediately.

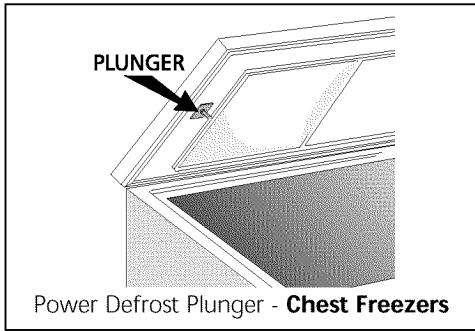
Power Cord Clamp

The clamp prevents the power cord from being accidentally unplugged. Remember when removing or replacing the electrical cord, to remove or replace the power cord clamp.

Power Freeze

Power Freeze allows you to lower your freezer temperature to the lowest possible temperature by pushing the switch to ON. For maximum benefit, Power Freeze should be selected 24 hours before placing a large quantity of unfrozen food into freezer. Food should then be spread throughout freezer compartment to speed up the freezing process. To turn off Power Freeze, manually push the switch to OFF. (This will return compressor to the normal operating mode.)

Freezer Optional Features (continued)



Power Defrost

The Power Defrost feature will defrost freezer in a fraction of the time usually required. To defrost, **remove all food**, and follow these steps.

1. Pull out Power Defrost Plunger. Leave door open while defrosting. (Closing freezer door will push in plunger and power defrost will be turned off.)
2. Push Power Defrost Plunger in to restart freezer after defrosting is completed.

NOTE: When defrosting units with the Temp Alarm Feature, turn off the alarm when defrosting. When the freezer reaches the freezing temperature, turn the Temp Alarm back on.

Slide-Out Basket (upright models)

The Slide-Out Basket, located at the bottom of the freezer provides separate storage space for items that are difficult to store on freezer shelves. To remove the basket, pull out, and lift up.

Juice Can Rack (upright models)

The Juice Can Rack on the freezer door is specially ridged to store juice cans and prevent them from rolling out of the shelf.

Security Lock with Pop-Out Key

This security lock fastens the door snugly, ensuring that stored food is secure. To lock or unlock the freezer, push the key into the lock and turn. The key pops out of the lock after it has been turned.

Interior Light

The light comes on automatically when the door is opened. To replace the light bulb, turn the temperature control to OFF and unplug the electrical cord. Replace the old bulb with a bulb of the same wattage.

Adjustable Shelf (upright models)

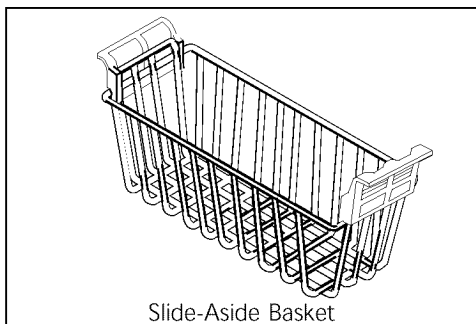
This shelf can be moved to one of two positions. Lift the shelf up and out to move to the desired position.

Defrost Drain

The defrost drain provides a method of draining the water during defrosting and cleaning. See "Defrosting" in Care and Cleaning Section.

Slide-Aside Basket (chest models)

This basket helps organize odd-shaped items. To reach other packages in the freezer, slide the basket aside or lift out.



Divider/Drain Pan (chest models)

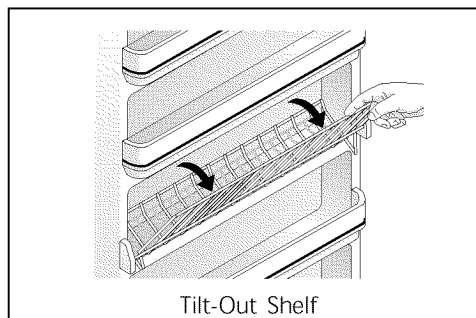
The Divider/Drain Pan doubles as a convenient storage area and serves as a shallow drain pan when defrosting. To remove, lift pan straight up out of the supports, and out of the chest.

Fast Freezing Shelves (upright models)

These shelves contain cooling coils to freeze foods quickly and allow cold air to constantly circulate throughout the freezer. Do not use sharp metal objects such as ice picks or scrapers to clean the shelves. This could damage the shelves and reduce their cooling ability. These shelves are not adjustable.

Tilt-Out Shelf

This shelf is located inside on the freezer door and provides additional storage space. To access an item, tilt top of "basket" shelf down.



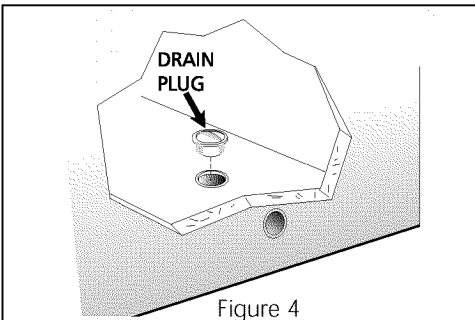
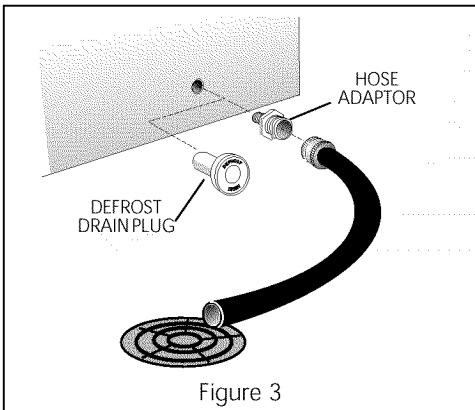
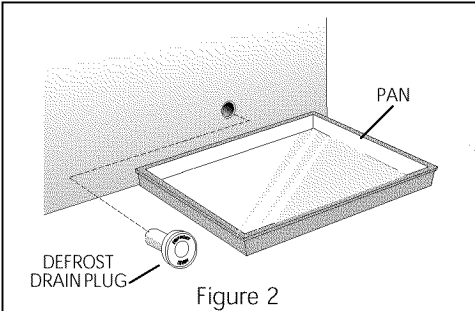
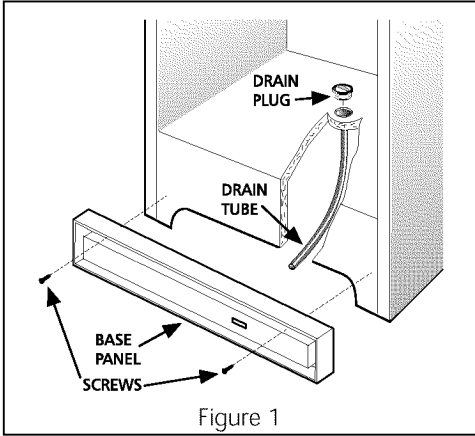
Drop Front Shelf (upright models)

The Drop Front Shelf, located at the bottom of the freezer, provides a separate compartment for small irregular shaped items or large, bulky items. Lift the shelf front up and out to remove.

Care and Cleaning

CAUTION

Damp objects stick to cold metal surfaces. Do not touch interior metal surfaces with wet or damp hands.



WARNING

If leaving freezer door open while on vacation, make certain that children cannot get into the freezer and become entrapped.

Some upright freezers are frost-free and defrost automatically, but should be cleaned occasionally.

Between Defrostings

To avoid frequent defrosting, occasionally use a plastic scraper to remove frost. Scrape with a pulling motion. Never use a metal instrument to remove frost.

Defrosting

It is important to defrost and clean freezer when $\frac{1}{4}$ to $\frac{1}{2}$ inch of frost has accumulated. Frost may tend to accumulate faster on upper part of the freezer due to warm, moist air entering the freezer when the door is opened. Remove food and leave the door open when defrosting the freezer.

- **On upright models** with a defrost drain (Figure 1), remove drain plug on the inside floor of the freezer by pulling straight out. To access external drain tube on models with a base panel, first remove the two screws from the base panel. Locate the drain tube near the left center under the freezer. Place a shallow pan under the drain tube. Defrost water will drain out. Check pan occasionally so water does not overflow. A $\frac{1}{2}$ inch garden hose adaptor can be used to drain the freezer directly into a floor drain. If your model is not equipped with an adaptor, one can be purchased at most hardware stores. Replace the drain plug when defrosting and cleaning are completed. If the drain is left open, warm air may enter freezer.
- **On chest models** with a defrost drain, place a shallow pan or the Divider/Drain Pan (some models) beneath the drain outlet (Figure 2). A $\frac{1}{2}$ inch garden hose adaptor can be used to drain the freezer directly into a floor drain (Figure 3). If your model is not equipped with an adaptor, one can be purchased at most hardware stores. Pull out the drain plug inside the freezer, and pull off the outside defrost drain plug (Figure 4). Defrost water will drain out. Check pan occasionally so water does not overflow. Replace the drain plugs when defrosting is completed.
- **On models without a defrost drain**, place towels or newspapers on the freezer bottom to catch the frost. The frost will loosen and fall. Remove towels and/or newspapers.
- If the frost is soft, remove it by using a plastic scraper. If the frost is glazed and hard, fill deep pans with hot water and place them on the freezer bottom. Close the freezer door. Frost should soften in about 15 minutes. Repeat this procedure if necessary.

Cleaning the Inside

After defrosting, wash inside surfaces of the freezer with a solution of two tablespoons of baking soda in one quart (1.136 litres) warm water. Rinse and dry. Wring excess water out of the sponge or cloth when cleaning in the area of the controls, or any electrical parts.

Wash the removable parts and door basket with the baking soda solution mentioned above, or mild detergent and warm water. Rinse and dry. **Never** use metallic scouring pads, brushes, abrasive cleaners, or alkaline solutions on any surface. Do not wash removable parts in a dishwasher.

Cleaning the Outside

Wash the cabinet with warm water and mild liquid detergent. Rinse well and wipe dry with a clean soft cloth. Replace parts and food.

Vacation and Moving Tips

Short Vacations: Leave the freezer operating during vacations of less than three weeks.

Long Vacations: If the freezer will not be used for several months, remove all food and unplug the power cord. Clean and dry the interior thoroughly. To prevent odor and mold growth, leave the freezer door open slightly, blocking it open if necessary.

Moving: Disconnect the power cord plug from the wall outlet. Remove foods, then defrost, and clean the freezer. Secure all loose items such as base panel, baskets, and shelves by taping them securely in place to prevent damage. In the moving vehicle, secure freezer in an upright position, and secure to prevent movement. Also protect outside of freezer with a blanket, or similar item.

Power Failure/ Freezer Failure

Do not open freezer door unnecessarily if freezer is off for several hours.

If a power failure occurs, frozen foods will stay frozen for at least 24 hours if the freezer is kept closed. If the power failure continues, pack seven or eight pounds of dry ice into the freezer every 24 hours. Look in the Yellow Pages under "Dry Ice," "Dairies," or "Ice Cream Manufacturers" for local dry ice suppliers. Always wear gloves and use caution when handling dry ice.

If the freezer has stopped operating, see "Freezer does not run" in the Avoid Service Checklist Section of this manual. If you cannot solve the problem, call an authorized servicer immediately.

If the freezer remains off for several hours, follow the directions above for the use of dry ice during a power failure. If necessary, take the food to a local locker plant until the freezer is ready to operate. Look in the Yellow Pages under "Frozen Food Locker Plants."

Avoid Service Checklist

Before calling for service, review this list. It may save you both time and expense. This list includes common occurrences that are not the result of defective workmanship or materials in this appliance.

OCCURRENCE

SOLUTION

FREEZER DOES NOT RUN

Check to ensure that freezer is not plugged into a circuit that has ground fault interrupt. If you are unsure about the outlet, have it checked by a certified technician.

Temperature control is in the OFF position. See *Setting the Temperature Control* Section.

Freezer may not be plugged in, or plug may be loose. Be sure plug is tightly pushed into electrical outlet.

House fuse has blown, or circuit breaker has tripped. Check/reset circuit breaker, or replace fuse with 15 amp. time delay fuse.

Power outage. Check house lights. Call local electric company.

Freezer runs too much or too long.

Room or outside weather is hot. It is normal for the freezer to work harder under these conditions.

Freezer had recently been disconnected for a period of time. Freezer requires 4 hours to cool down completely.

Large amounts of warm or hot food have been stored recently. Warm food will cause the freezer to run more until the desired temperature is reached.

Door is kept open too long or too frequently. Warm air enters the freezer every time the door is opened. Open the door less often.

Freezer door may be slightly open. See Occurrence "Door Problems."

Temperature control is set too cold. Turn the control knob to a warmer setting. Allow several hours for the temperature to stabilize.

Freezer gasket is dirty, worn, cracked, or poorly fitted. Clean or change gasket. Leaks in the door seal will cause freezer to run longer in order to maintain desired temperature.

Temperatures inside the freezer are too cold.

Temperature control is set too cold. Turn the control to a warmer setting. Allow several hours for the temperature to stabilize.

Temperatures inside the freezer are too warm.

Temperature control is set too warm. Turn the control to a colder setting. Allow several hours for the temperature to stabilize.

Door is kept open too long or is opened too frequently. Warm air enters the freezer every time the door is opened. Open the door less often.

Door may be open slightly. See Occurrence section "Door Problems."

Large amounts of warm or hot food might have been stored recently. Wait until the freezer has had a chance to reach its selected temperature.

Freezer has recently been disconnected for a period of time. Freezer requires 4 hours to cool down completely.

Temperature of external freezer surface is warm.

The exterior freezer walls can be as much as 30°F warmer than room temperature. This is normal while the compressor works to transfer heat from inside the freezer cabinet.

SOUND AND NOISE

Louder sound levels whenever freezer is on.

Modern freezers have increased storage capacity and more even temperatures. They require a high efficiency compressor. When the surrounding noise level is low, you might hear the compressor running while it cools the interior.

Louder sound levels when compressor comes on.

Freezer operates at higher pressures during the start of the ON cycle. This is normal. Sound will level off or disappear as freezer continues to run.

Popping or cracking sound when compressor comes on.

Metal parts undergo expansion and contraction, as in hot water pipes. This is normal. Sound will level off or disappear as freezer continues to run.

OCCURRENCE

SOLUTION

SOUND AND NOISE (cont'd)

Bubbling or gurgling sound, like water boiling.

Refrigerant (used to cool freezer) is circulating throughout the system. This is normal.

Vibrating or rattling noise.

Freezer is not level. It rocks on the floor when it is moved slightly. Level the unit. Refer to "Leveling" in the First Steps Section.

Floor is uneven or weak. Freezer rocks on the floor when it is moved slightly. Be sure floor can adequately support freezer. Level the freezer by putting wood or metal shims under part of the freezer.

WATER/MOISTURE/FROST INSIDE FREEZER

Moisture forms on inside freezer walls.

Weather is hot and humid, which increases internal rate of frost build-up. This is normal.

Door is slightly open. See Occurrence "Door Problems."

WATER/MOISTURE/FROST OUTSIDE FREEZER

Moisture forms on outside of freezer.

Door is kept open too long, or is opened too frequently. Open the door less often.

Door is slightly open, causing the cold air from inside the freezer to meet warm moist air from outside. See "Door Problems" in the Occurrence Section.

ODOR IN FREEZER

Interior needs to be cleaned. Clean interior with sponge, warm water, and baking soda.

DOOR PROBLEMS

Door will not close.

Foods with strong odors are in the freezer. Cover the food tightly.

Freezer is not level. It rocks on the floor when it is moved slightly. This condition can force the cabinet out of square and misalign the door. Refer to "Leveling" in the First Steps Section.

Floor is uneven or weak. Freezer rocks on the floor when it is moved slightly. Level the floor by using metal or wood shims under the freezer or brace floor supporting the freezer.

LIGHT BULB IS NOT ON

Light bulb is burned out. Follow directions under "Interior Light" in the Freezer Features Section.

No electric current is reaching the freezer. See Occurrence "Freezer Does Not Run."

FREEZER WARRANTY

Your freezer is protected by this warranty

	WARRANTY PERIOD	THROUGH OUR AUTHORIZED SERVICERS, WE WILL:	THE CONSUMER WILL BE RESPONSIBLE FOR:
FULL ONE-YEAR WARRANTY	One year from original purchase date	Pay all costs for repairing or replacing any parts of this appliance which prove to be defective in materials or workmanship.	Costs of service calls that are listed under NORMAL RESPONSIBILITIES OF THE CONSUMER. *
LIMITED 2ND-5TH YEAR WARRANTY (Sealed System)	Second through fifth years from original purchase date	Repair or replace any parts in the Sealed Refrigeration System (compressor, condenser, evaporator, drier and tubing) which prove to be defective in materials or workmanship, and provide the labor to install such part.	Diagnostic costs and any removal, transportation and reinstallation costs, which are required because of service. Costs for labor, parts and transportation other than with respect to the Sealed Refrigeration System.
LIMITED 6TH-10TH YEAR WARRANTY (Compressor Only)	Sixth through tenth years from original purchase date	Provide a replacement for any compressor, which proves to be defective in materials or workmanship.	Diagnostic costs and any removal, transportation and reinstallation costs, which are required because of service. Costs for labor, parts and transportation other than the cost of the replacement compressor itself.
LIMITED WARRANTY (Applicable to the State of Alaska)	Time periods listed above.	All of the provisions of the full and limited warranties above and the exclusions listed below apply.	Costs of the technician's travel to the home and any costs for pick up and delivery of the appliance required because of service.
THREE-YEAR LIMITED FOOD SPOILAGE PLAN	During the first three years from original purchase date.	If food loss results because of defects in materials or workmanship during the time periods listed above, and applies to the limitations stated in the normal responsibilities of the consumer listed below, Electrolux will reimburse the consumer for the actual food spoilage loss in excess of \$5.00 per occurrence, but not to exceed a cumulative maximum payment of \$100.00 , provided the food losses: A) Are reported and the food shown to any Electrolux authorized servicer within 24 hours of the discovery of the loss. B) Are not occasioned by either the manual disconnection of the electrical power within the premises of the owner or a general power failure. C) Occur even though the owner exercised reasonable care and diligence to save food per suggestions furnished with the appliance.	

In the U.S.A., your appliance is warranted by Electrolux Home Products North America, a division of White Consolidated Industries Inc. We authorize no person to change or add to any of our obligations under this warranty. Our obligations for service and parts under this warranty must be performed by us or an authorized Electrolux Home Products North America servicer. In Canada, your appliance is warranted by WCI Canada Inc.

***NORMAL RESPONSIBILITIES OF THE CONSUMER**

This warranty applies only to products in ordinary household use, and the consumer is responsible for the items listed below:

1. Proper use of the appliance in accordance with instructions provided with the product.
2. Proper installation by an authorized servicer in accordance with instructions provided with the appliance and in accordance with all local plumbing, electrical and/or gas codes.
3. Proper connection to a grounded power supply of sufficient voltage, replacement of blown fuses, repair of loose connections or defects in house wiring.
4. Expenses for making the appliance accessible for servicing, such as removal of trim, cupboards, shelves, etc., which are not a part of the appliance when it was shipped from the factory.
5. Damages to finish after installation.
6. Replacement of light bulbs and/or fluorescent tubes (on models with these features).

EXCLUSIONS

This warranty does not cover the following:

1. CONSEQUENTIAL OR INCIDENTAL DAMAGES SUCH AS PROPERTY DAMAGE AND INCIDENTAL EXPENSES RESULTING FROM ANY BREACH OF THIS WRITTEN OR ANY IMPLIED WARRANTY.
NOTE: Some states do not allow the exclusion or limitation of incidental or consequential damages, so this limitation or exclusion may not apply to you.
2. Service calls which do not involve malfunction or defects in workmanship or material, or for appliances not in ordinary household use. The consumer shall pay for such service calls.
3. Damages caused by services performed by servicers other than Electrolux Home Products North America or its authorized servicers; use of parts other than genuine Electrolux Home Products parts; obtained from persons other than such servicers; or external causes such as abuse, misuse, inadequate power supply or acts of God.
4. Products with original serial numbers that have been removed or altered and cannot be readily determined.

IF YOU NEED SERVICE

Keep your bill of sale, delivery slip, or some other appropriate payment record. The date on the bill establishes the warranty period should service be required. If service is performed, it is in your best interest to obtain and keep all receipts. This written warranty gives you specific legal rights. You may also have other rights that vary from state to state. Service under this warranty must be obtained by contacting Electrolux Home Products:

This warranty only applies in the 50 states of the U.S.A., Puerto Rico, and Canada. Product features or specifications as described or illustrated are subject to change without notice. All warranties are made by Electrolux Home Products North America, a division of White Consolidated Industries Inc. In Canada, your appliance is warranted by WCI Canada Inc.

01-U-FR-02 (Rev. 03/2001)

USA
800-944-9044
 Electrolux Home Products North America
 P.O. Box 212378
 Augusta, GA 30917

Canada
866-213-9397
 Electrolux Home Products North America
 6150 McLaughlin Road
 Mississauga, Ontario
 L5R 4C2



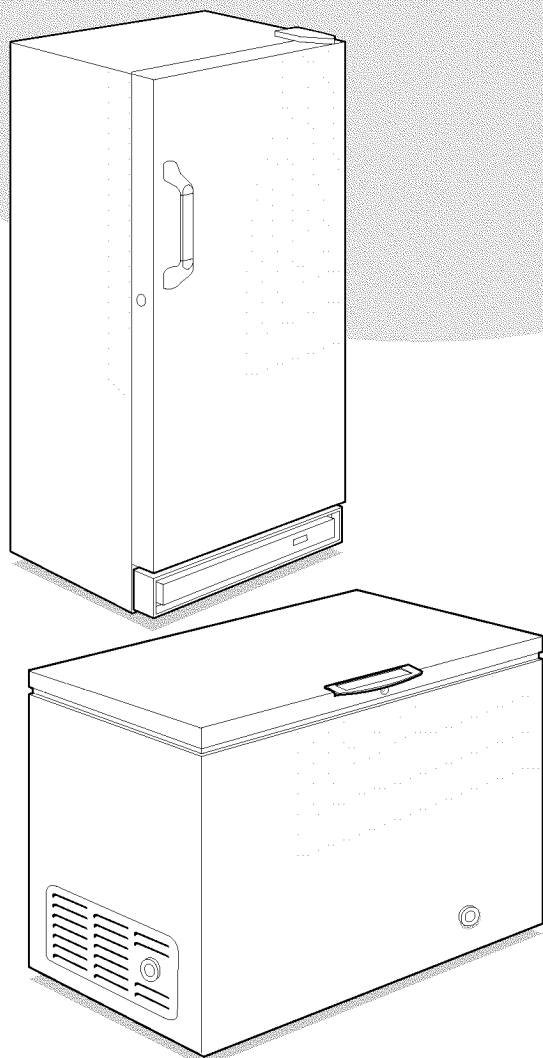
Notes



Frigidaire

Manual d'utilisation et d'entretien

Congélateur



Enregistrement de votre appareil .. 2

Conseils pour économiser l'énergie 2

Consignes de sécurité 3

Avant de mettre votre congélateur en marche 4

Réglage de la commande de températurel 5

Caractéristiques du congélateur 5 - 7

Entretien et nettoyage 8 - 9

Panne de courant/panne de congélateur 9

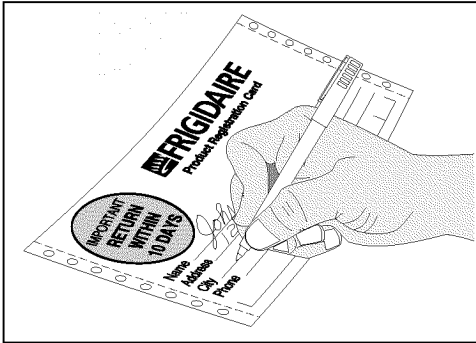
Liste de contrôle anti-panne .. 10 - 11

Garantie 12

LIRE ET CONSERVER CES INSTRUCTIONS

PIÈCE N° 216802800 (0103)

Enregistrement de l'appareil



Les informations contenues dans ce **Guide de l'utilisateur** vous indiqueront comment utiliser correctement votre appareil et comment en prendre soin. Veuillez lire attentivement les renseignements contenus dans votre documentation pour mieux connaître votre nouvel appareil.

Incrivez les numéros de série et de modèle

Inscrivez ci-dessous le numéro de modèle et le numéro de série de ce congélateur.

N° de modèle _____

N° de série _____

Enregistrez votre appareil

La CARTE D'ENREGISTREMENT prélibellée (représentée à gauche) doit être remplie avec soin, puis signée et retournée à la compagnie Electrolux Home Products.

Ce guide de l'utilisateur donne des directives particulières à ce modèle. N'utilisez le congélateur que de la façon indiquée dans ce guide.

Conseils pour économiser l'énergie



- Placer le congélateur dans l'endroit le plus froid de la pièce, éloigné de la lumière du soleil et des conduits de chauffage ou appareils producteurs de chaleur.
- Laissez les aliments chauds refroidir à la température de la pièce avant de les ranger dans le congélateur. La surcharge du congélateur oblige le compresseur à fonctionner plus longtemps. Les aliments qui congèlent trop doucement risquent de perdre leur qualité ou de se gâter.
- Enveloppez correctement les aliments et essuyez les contenants avant de les ranger dans le congélateur. Ceci diminue la condensation à l'intérieur du congélateur.
- Les clayettes ne devraient pas être recouvertes de papier aluminium, papier ciré ou essuie-tout. Ces revêtements entravent la circulation de l'air froid, ce qui diminue l'efficacité du congélateur.
- Rangez bien les aliments et étiquetez-les pour réduire les ouvertures de porte et les recherches prolongées. Prenez autant d'articles que possible en même temps et fermez aussitôt la porte ou le couvercle.

Importantes mesures de sécurité

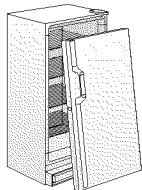
Mise au rebut instructions avant d'utiliser réfrigérateur

⚠ AVERTISSEMENT

Risque d'enfermement des jeunes enfants. Les risques d'enfermement et de suffocation des jeunes enfants sont bien réels. Les réfrigérateurs mis au rebut ou non utilisés présentent toujours un danger - même s'ils ne sont entreposés "que pour quelques jours". Si vous allez débarrasser de votre vieux réfrigérateur veuillez suivre les instructions ci-dessous pour éviter tout risque d'accident.

AVANT DE VOUS DEBARASSER DE VOTRE VIEUX RÉFRIGÉRATEUR OU CONGÉLATEUR:

- Retirer les portes.
- Laisser les étagères en place pour que les enfants ne frim pas facilement dedans.



⚠ AVERTISSEMENT Éviter tout risque de feu ou de choc électrique. Ne pas utiliser de cordon prolongateur ni fiche d'adaptation. N'enlever aucune des broches du cordon.

Prise murale mise à la terre



Ne jamais couper, enlever ou mettre hors circuit la broche de mise à la terre de cette fiche.



Cordon d'alimentation muni d'une fiche à trois broches avec mise à la terre

Lisez toutes les instructions avant d'utiliser ce congélateur.

⚠ AVERTISSEMENT

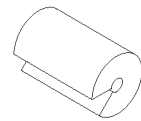
Pour votre sécurité

N'entreposez pas et n'utilisez pas d'essence ou autres vapeurs et liquides inflammables à proximité de cet appareil ou d'un autre. Lisez les étiquettes donnant les caractéristiques d'inflammabilité et autres avertissements.

⚠ AVERTISSEMENT

Sécurité des enfants

- Détruisez le cartonnage, les sacs plastiques et tout matériau d'emballage immédiatement après le déballage du congélateur. Les enfants ne devraient jamais se servir de ces articles pour jouer. Les cartonnages recouverts de tapis, housses plastiques, couvertures ou matériaux extensibles risquent en effet de ne pas laisser passer d'air et d'asphyxier.
- **Un enfant peut s'étouffer s'il se cache ou joue dans un congélateur. Enlevez la porte d'un congélateur non utilisé, même si vous décidez de le jeter.** De nombreuses communautés ont des lois vous demandant de respecter cette mesure de sécurité.
- Retirez et jetez toutes les entretoises employées pour fixer les étagères pendant l'expédition. Les petits objets sont un risque d'obstruction aux enfants.



⚠ AVERTISSEMENT

Électricité

Ces directives doivent être suivies pour que les mécanismes de sécurité de ce congélateur fonctionnent correctement.

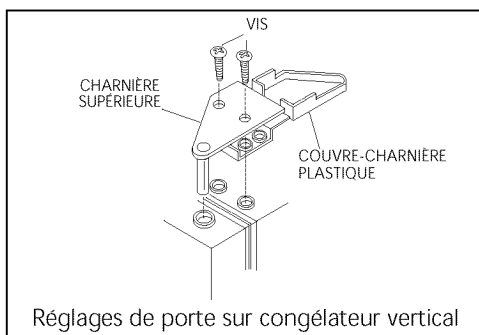
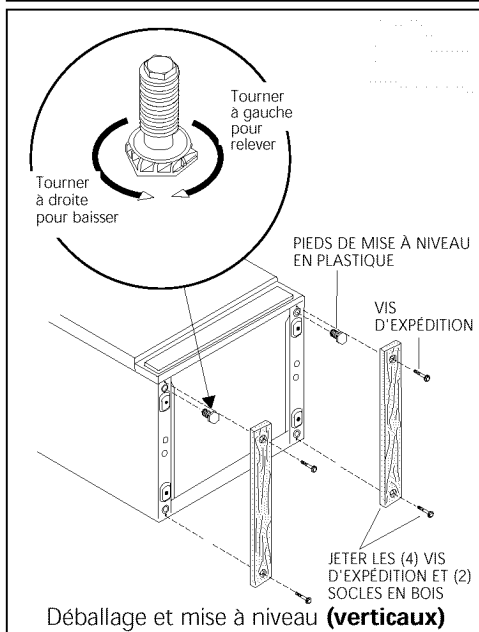
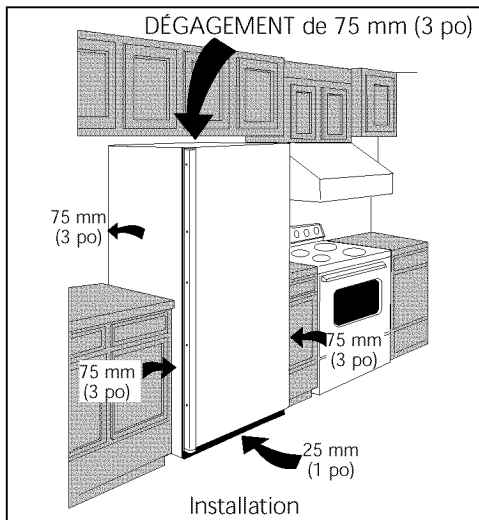
- **Reportez-vous à la plaque signalétique pour connaître les caractéristiques nominales du courant.** Le cordon de l'appareil est muni d'une fiche à trois broches avec mise à la terre pour éviter les décharges électriques. Elle doit être branchée directement dans une prise murale mise à la terre, à trois alvéoles, protégée par un coupe-circuit ou un fusible à action retardée de 15 A. La prise doit être installée conformément aux codes et règlements locaux. Consultez un électricien qualifié. Les prises avec un mise à terre fault circuit interrupteur NE SONT PAS RECOMMANDÉES. **N'utilisez PAS de cordon prolongateur ni de fiche d'adaptation.**
- Si la tension varie de 10% ou plus, les performances de votre congélateur risquent d'en être affectées, et le moteur endommagé. Un tel dommage n'est pas couvert par la garantie. Si vous soupçonnez que la tension est élevée ou basse, communiquez avec votre compagnie d'électricité.
- Pour éviter que le congélateur ne soit accidentellement débranché, ne le branchez pas dans une prise commandée par un interrupteur mural ou un cordon de tirage.
- Ne pincez pas, ne tordez pas, ne nouez pas le cordon d'alimentation.

⚠ AVERTISSEMENT

Autres précautions

- Ne débranchez jamais le congélateur en tirant sur le cordon. Saisissez toujours bien la fiche et sortez-la de la prise en tirant droit vers vous.
- En mettant la commande sur «OFF» (ARRÊT), vous ne coupez pas l'alimentation des composants électriques, mais du compresseur seulement.

Pour bien commencer



Lisez toutes ces instructions avant de mettre le congélateur en marche.

Installation

- Choisissez un endroit près d'une prise mise à la terre.
- Placez le congélateur à un endroit où les températures ambiantes ne dépasseront pas 43°C (110°F). Des températures de 0°C (32°F) et en dessous NE gênent PAS le fonctionnement du congélateur. Il n'est pas recommandé d'ajouter des éléments chauffants au compresseur.
- Laissez un espace de 75 mm (3 pouces) de chaque côté du congélateur pour assurer une bonne circulation de l'air.

Mise à niveau

Les quatre coins inférieurs de congélateur doivent reposer fermement sur un plancher solide. Le plancher doit être assez résistant pour supporter le poids du congélateur rempli. NOTE: Il est TRÈS IMPORTANT pour votre congélateur d'être nivelé afin de fonctionner bien. Si le congélateur n'est pas nivelé pendant l'installation, la porte peut être non alignée, ne ferme pas, ou ne scelle bien, causant des problèmes de refroidir, geler, ou d'humidité.

Mise à l'horizontale des modèles verticaux:

Après avoir jeté la base de bois et les vis d'emballage, utiliser un niveau du charpentier pour niveler le congélateur du devant, ½ bouillonne plus haut, pour que la porte ferme facilement quand elle est partiellement ouverte.

Mise à l'horizontale des modèles horizontaux:

Au besoin, ajouter des cales de métal ou de bois entre les socles des pattes et le plancher.

Nettoyage

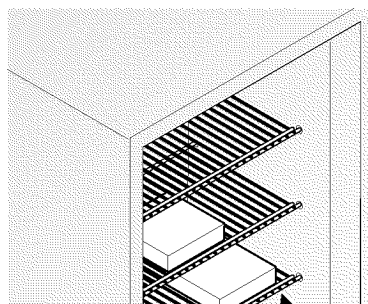
- Nettoyez toutes les pièces amovibles, l'intérieur et l'extérieur avec de l'eau tiède et un détergent doux. Essuyez. **N'UTILISEZ PAS D'ABRASIFS PUISSANTS SUR CES SURFACES**
- Pour enlever les étiquettes adhésives, n'utilisez pas de lames de rasoir ou autre instrument tranchant risquant de rayer le fini. Enlevez la colle restante du ruban ou de l'étiquette sur l'énergie avec un mélange d'eau tiède et de détergent doux ou bien avec le côté collant du ruban ou de l'étiquette enlevée. **N'ENLEVEZ PAS LA PLAQUE SIGNALÉTIQUE.**

Réglages de la porte d'un congélateur vertical

Pour enlever la porte:

1. Soulevez le couvre-charnière en plastique et rabattez-le.
2. À l'aide d'un tournevis Phillips®, desserrez et resserrez les vis sur la charnière supérieure pour bien fixer l'ensemble et empêcher que la charnière ne glisse.
3. Enlevez la charnière supérieure de la caisse et soulevez la porte du pivot de charnière inférieure.
4. Une fois la porte enlevée, retirez les deux vis de la charnière inférieure.
5. Pour remettre la porte, inversez les étapes ci-dessus.

MISE EN GARDE Pour que la porte ferme et scelle bien. NE PAS laisser les paquets d'aliment étendre au delà des clayettes.



Réglage de la commande de température

Période de refroidissement

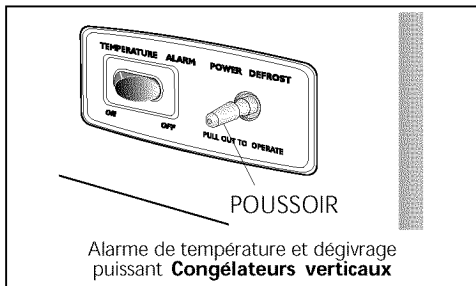
- Pour assurer une bonne conservation des aliments, laissez le congélateur refroidir complètement pendant 4 heures. Le congélateur fonctionnera continuellement les quelques premières heures. Les aliments déjà congelés peuvent être placés dans le congélateur après les premières heures de fonctionnement. Les aliments non congelés NE devraient PAS être rangés dans le congélateur tant qu'il n'a pas fonctionné pendant 4 heures.
- Lorsque vous remplissez le congélateur, ne congelez que 3 lb d'aliments par pied cube d'espace de congélateur en une seule fois. Répartissez les paquets dans tout le congélateur. Il n'est pas nécessaire de tourner le bouton de commande à un réglage plus froid lors de la congélation des aliments.

Commande de température

La commande de température est située à l'intérieur du congélateur (modèles verticaux) ou sur la paroi extérieure gauche (modèles horizontaux). L'appareil a été préréglé en usine afin d'assurer une température adéquate de rangement de la nourriture. Vous pouvez toutefois régler la commande de température selon vos besoins. Si vous désirez une température plus froide, tournez le bouton de commande vers COLDEST (LE PLUS FROID) puis attendez quelques heures, afin que la température se stabilise.

Caractéristiques, en option, du congélateur

NOTE: Votre congélateur peut avoir certaines des caractéristiques énumérées ci-dessous, ou encore toutes celles-ci. Apprenez à les connaître et familiarisez-vous avec leur utilisation et leur entretien.

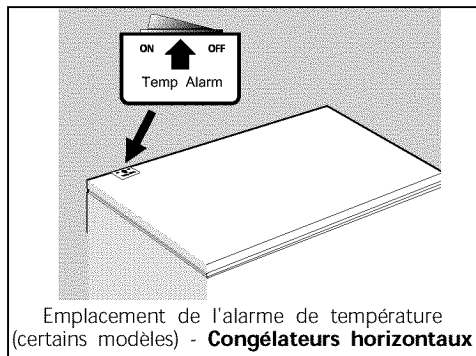


Témoin de fonctionnement

Ce témoin indique que le congélateur est correctement branché au courant électrique. Le témoin reste allumé même lorsque la commande de température est à l'arrêt. Si le témoin s'éteint, reportez-vous à **Le congélateur ne fonctionne pas** dans la Liste de contrôle anti-panne.

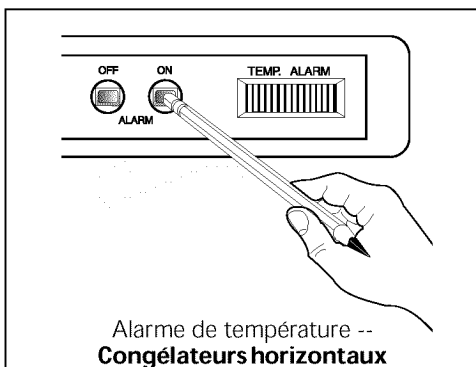
Alarme (sonore uniquement ou sonore avec un voyant lumineux)

L'alarme se déclenche en cas de mauvais fonctionnement de votre congélateur. En effet, si la température intérieure du congélateur augmente et atteint un niveau critique pour une longue conservation des aliments, l'alarme sonore se met en marche. En outre, sur les modèles qui en sont équipés, un voyant lumineux rouge s'allume. L'alarme fonctionne grâce à l'installation électrique domestique ; ainsi, en cas de coupure de courant, celle-ci ne se déclenche pas. Un interrupteur Marche/Arrêt ("ON/OFF") permet d'activer ou de neutraliser l'alarme. Le congélateur est livré avec l'alarme neutralisée (position "OFF"). Sur les modèles qui en sont équipés, le voyant lumineux rouge disparaît après que le congélateur ait fonctionné environ 4 heures. Vous pouvez alors mettre l'alarme en position de marche ("ON") sans que celle-ci se déclenche.



Appuyez sur le bouton MARCHE (ON) pour activer l'alarme de température (Temp. Alarm). Pour désactiver, appuyez sur l'interrupteur ARRÊT (OFF).

Si l'alarme se déclenche, assurez-vous que le congélateur est de niveau, et que la porte est correctement fermée. Si vous suspectez un mauvais fonctionnement de l'appareil, appelez immédiatement un réparateur qualifié.



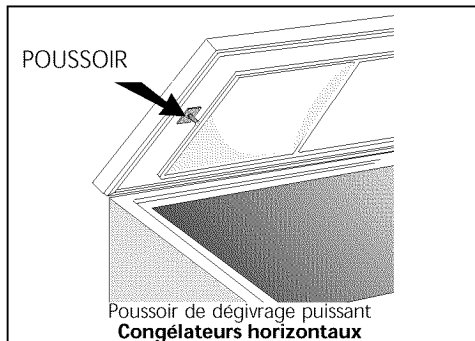
Attache pour cordon électrique

Cette attache pour cordon électrique d'être accidentellement débranché. N'oubliez pas, en enlevant ou remettant le cordon électrique, d'enlever ou de remettre en place l'attache pour cordon électrique.

Caractéristiques, en option, du congélateur (suite)

Congélation puissante

La commande de "congélation puissante" de votre congélateur vous permet de diminuer la température intérieure de l'appareil pour atteindre la température la plus basse possible. Il vous suffit de positionner cette commande en mode "MARCHE" ("ON"). Pour une efficacité maximale, il est préférable de mettre en marche la congélation puissante 24 heures avant de placer une grande quantité d'aliments non congelés dans le congélateur. Afin d'accélérer le processus de congélation, il est recommandé de disperser les aliments dans le compartiment de congélation. Pour stopper la congélation puissante, il suffit de positionner la commande de congélation rapide en mode "ARRÊT" ("OFF"). (Le compresseur reprend alors son mode de fonctionnement normal.)



Dégivrage puissant

Le dégivrage rapide sert à dégivrer le congélateur pendant la fraction de temps normalement nécessaire. Pour dégivrer, **videz le congélateur complètement**, et poursuivez ces instructions:

1. Tirez sur le bouton de la commande de dégivrage rapide. Laissez la porte ouverte lors du dégivrage. (La fermeture de la porte du congélateur enfonce le poussoir et stoppe le dégivrage rapide.)
2. Appuyez sur le bouton de la commande de dégivrage rapide pour remettre en marche le congélateur après le dégivrage.

REMARQUE: L'alarme de température doit être arrêtée lorsque le congélateur est en période de dégivrage. Mettez en marche l'alarme de température une fois que le congélateur a atteint les températures de congélation.

Panier coulissant (modèles verticaux)

Le panier coulissant, au bas du congélateur, permet de ranger séparément les articles difficiles à poser sur les clayettes. Pour l'enlever, tirez-le et soulevez-le.

Étagère à boîtes de jus (modèles verticaux)

L'étagère à boîtes de jus dans la porte du congélateur est conçue tout spécialement pour le rangement des canettes de jus congelé, les empêchant de rouler hors de l'étagère.

Serrure de sécurité à ressort

La serrure ferme la porte du congélateur bien, pour assurer la sécurité de la nourriture. Pour verrouiller ou déverrouiller le congélateur, enfoncez la clé dans la serrure et tournez-la. La clé s'éjecte de la serrure une fois qu'elle a été tournée.

Éclairage intérieur

La lampe s'allume automatiquement à l'ouverture de la porte. Pour remplacer l'ampoule, tournez la commande de température sur «OFF» (ARRÊT) et débranchez le cordon. Remplacez l'ampoule par une autre de même puissance.

Clayette réglable (modèles verticaux)

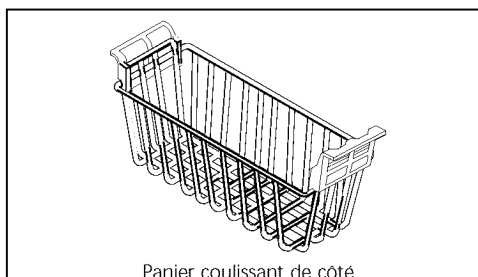
Cette clayette peut être déplacée à deux positions différentes. Soulevez la clayette et installez-la à l'autre position.

Vidange de l'eau de dégivrage

Cette vidange permet d'éliminer l'eau lors du dégivrage ou du nettoyage. Voyez **Dégivrage** dans le chapitre Entretien et nettoyage.

Panier coulissant de côté (modèles horizontaux)

Ce panier permet de ranger des articles de formes variées. Pour atteindre les autres paquets du congélateur, coulissez le panier de côté ou soulevez-le.



Panier coulissant de côté

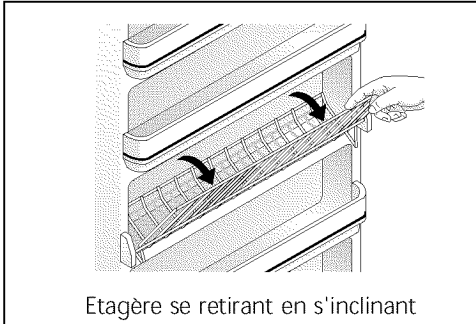
Caractéristiques, en option, du congélateur (suite)

Diviseur/plateau de dégivrage (modèles horizontaux)

Le diviseur/plateau de dégivrage a deux usages: espace de rangement pratique et plateau creux lors du dégivrage. Pour l'enlever, soulevez le plateau de dégivrage à la verticale, hors des supports et sortez-le du congélateur horizontal.

Clayettes de congélation rapide (modèles verticaux)

Ces clayettes ont des serpentins de refroidissement qui permettent de congeler rapidement la nourriture en laissant l'air froid circuler en continu dans tout le congélateur. Ne vous servez pas d'objets métalliques pointus comme pics à glace ou grattoirs pour nettoyer les clayettes. Ceci pourrait les endommager et réduire leur capacité de refroidissement. Ces clayettes ne sont pas réglables.



Etagère se retirant en s'inclinant

Etagère se retirant en s'inclinant

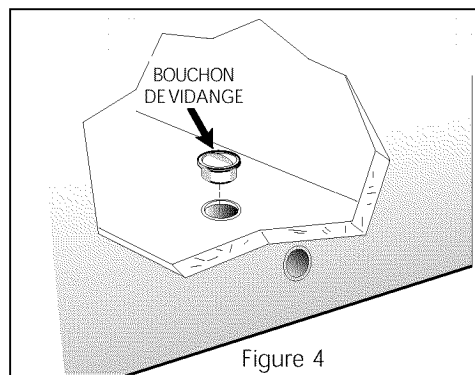
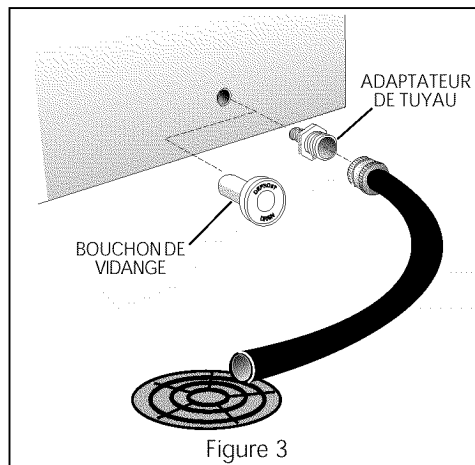
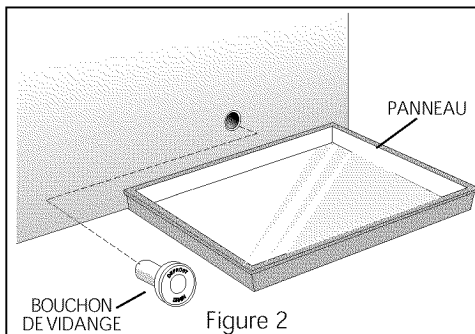
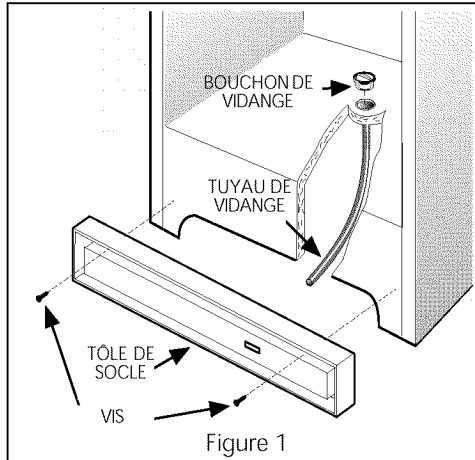
Cette étagère est située à l'intérieur, sur la porte du bac à congélation et permet un rangement supplémentaire. Pour avoir accès à un article, inclinez le dessus de l'étagère "panier" vers le bas.

Retenue d'aliments en vrac (modèles verticaux)

Cette clayette, située au fond du congélateur, offre un compartiment séparé pour les petits objets de forme irrégulière ou les gros articles volumineux. Soulevez la retenue par le devant et sortez-la.

Entretien et nettoyage

MISE EN GARDE Les objets humides collent aux surfaces métalliques froides. Ne pas toucher ces surfaces avec les mains humides.



Certains congélateurs verticaux sont sans givre et se dégivrent donc automatiquement. Il faut cependant les nettoyer de temps à autre.

Entre les dégivrages

Pour éviter le dégivrage fréquent, enlevez de temps à autre le givre à l'aide d'un grattoir en plastique. Grattez en remontant. Ne vous servez jamais d'instrument métallique.

Dégivrage

Il est important de dégivrer et de nettoyer le congélateur dès présence d'1/4 à 1/2 pouce de givre. Le givre s'accumule plus rapidement sur la partie supérieure du congélateur par suite de l'entrée d'air humide et tiède lorsque la porte ou le couvercle est ouvert. Enlevez la nourriture et laissez la porte ou le couvercle ouvert lors du dégivrage.

- **Sur les modèles verticaux** avec système de vidange de l'eau de dégivrage (Figure 1), enlever le bouchon de vidange au fond du congélateur en le tirant directement. Pour accéder au tuyau de vidange extérieur sur les modèles munis d'un panneau inférieur, vous devez au préalable retirer ce panneau inférieur fixé au congélateur par deux vis. Le tuyau de vidange est situé près du centre gauche sous le congélateur. Placez un récipient creux sous le tuyau de vidange. L'eau du dégivrage va s'y écouler. Vérifiez de temps à autre que l'eau ne déborde pas. Un demi-pouce adaptateur de tuyau de jardin peut être utilisé pour vidanger le congélateur directement dans un égout. Si votre modèle n'est pas équipé avec un adaptateur, celui peut être acheté à la plupart des magasins de matériel. Remettez le bouchon en place lorsque le dégivrage et le nettoyage sont terminés. Si le bouchon de vidange est resté ouvert, de l'air chaud peut entrer dans le congélateur.
- **Sur les modèles horizontaux** avec vidange de l'eau de dégivrage, placez un récipient creux ou le diviseur/plateau de dégivrage (fourni avec certains modèles) sous l'orifice de vidange (Figure 2). Un adaptateur de tuyau de jardin d'un demi-pouce peut servir à vidanger le congélateur directement dans un drain de plancher (Figure 3). Sortez la bonde à l'intérieur du congélateur et enlevez le bouchon de vidange extérieur (Figure 4). L'eau de dégivrage va s'écouler. Vérifiez de temps à autre que l'eau ne déborde pas. Remettez en place le bouchon de vidange et la bonde une fois le dégivrage terminé.
- **Sur les modèles sans vidange de l'eau de dégivrage**, placez des serviettes ou journaux au fond du congélateur pour retenir le givre. Le givre va se détacher et tomber. Enlevez les serviettes et/ou les journaux.
- Si le givre est mou, enlevez-le à l'aide d'un grattoir plastique. S'il est dur et brillant, remplissez de profonds récipients avec de l'eau chaude et placez-les au fond du congélateur. Fermez le congélateur. Le givre devrait se ramollir en 15 minutes environ. Au besoin, répétez cette dernière opération.

Nettoyage de l'intérieur

Après le dégivrage, nettoyez les surfaces internes du congélateur avec une solution composée de deux cuillères à soupe de bicarbonate de soude dans 1 litre (1 pinte) d'eau tiède. Rincez et séchez. Essorez bien votre chiffon ou votre éponge pour nettoyer autour des commandes ou des pièces électriques.

Lavez les pièces amovibles avec une solution de bicarbonate de soude comme ci-dessus, ou de l'eau tiède additionnée de détergent doux. Rincez et séchez. **N'utilisez jamais** de tampon à récurer métallique, brosse, produit nettoyant abrasif ou solution alcaline sur une surface, quelle qu'elle soit. Ne lavez pas les parties amovibles dans un lave-vaisselle.

Entretien et nettoyage

(suite)

Nettoyage de l'extérieur

Lavez la caisse à l'eau tiède additionnée de détergent liquide doux. Rincez bien et séchez avec un linge propre et doux. Remettez en place les pièces et la nourriture.

Conseils de vacances et déménagement

Courtes vacances: Laissez le congélateur fonctionner pendant des congés de moins de trois semaines.

Longues vacances: Si le congélateur n'est pas utilisé pendant plusieurs mois, enlevez toute la nourriture et débranchez le cordon. Nettoyez et séchez l'intérieur soigneusement. Laissez la porte ou le couvercle légèrement ouvert en bloquant au besoin, pour empêcher moisissure et odeur.

Déménagement: Débranchez le cordon. Enlevez toute la nourriture, dégivrez le congélateur et nettoyez-le. À l'aide du ruban, attachez les pièces mobiles au congélateur pour empêcher dommage. Dans le véhicule, le congélateur doit être dans une position verticale. Assurez la sécurité du congélateur, pour empêcher le mouvement. Couvrez l'extérieur avec une couverture, ou autre article similaire, pour protéger-le.

AVERTISSEMENT

Si le congélateur est laissé ouvert pendant des congés, s'assurer que des enfants ne puissent rester emprisonnés à l'intérieur.

Panne de courant/ panne de congélateur

Ne pas ouvrir le congélateur inutilement en cas de panne de courant.

En cas de panne de courant, les aliments resteront congelés au moins 24 heures si le congélateur reste fermé. Si la panne continue, placez sept ou huit livres de glace sèche dans le congélateur toutes les 24 heures. Cherchez dans les pages jaunes les fournisseurs sous «Glace sèche», «Laiteries» ou «Fabricants de crème glacée». Portez toujours des gants et soyez prudent lors de la manipulation de glace sèche.

Si le congélateur s'est arrêté de fonctionner, reportez-vous à **Le congélateur ne fonctionne pas** dans la liste de contrôle anti-panne. Si vous ne pouvez résoudre le problème, appelez immédiatement un réparateur autorisé.

N'ouvrez pas le congélateur inutilement. S'il ne fonctionne pas pendant plusieurs heures, suivez les instructions ci-dessus traitant de l'utilisation de glace sèche. Au besoin, apportez vos aliments dans un dépôt frigorifique local jusqu'à ce que le congélateur soit prêt à fonctionner. Regardez dans les pages jaunes sous «Entrepôts frigorifiques pour aliments congelés».

Liste de contrôle anti-panne

PROBLÈME

LE CONGÉLATEUR NE FONCTIONNE PAS

Avant d'appeler un agent de service, consultez cette liste. Vous pourriez économiser temps et argent. Cette liste décrit les situations courantes qui ne sont causées ni par un défaut de fabrication ni par un matériau défectueux.

SOLUTION

S'assurez de n'utiliser pas des prises avec disjoncteur de fuite à la terre. Consultez un électricien qualifié.

La commande est à la position «OFF» (ARRÊT). Voyez **Réglage de la commande de température**.

Le congélateur n'est peut être pas branché ou la prise mal branchée. Assurez-vous que la fiche est bien enfoncée dans la prise électrique.

Le fusible a sauté ou le coupe-circuit s'est déclenché. Vérifiez/réenclenchez le coupe-circuit ou remplacez le fusible par un fusible de 15 A à action différée.

Panne de courant. Vérifiez les lumières de la maison. Appelez la compagnie d'électricité de votre région.

Le congélateur fonctionne trop ou trop longtemps.

La température ambiante ou à l'extérieur est élevée. Dans ces conditions, il est normal que le congélateur fonctionne plus.

Le congélateur a récemment été débranché, pendant quelque temps. Le congélateur a besoin de 4 heures pour refroidir complètement.

De grandes quantités d'aliments chauds ou tièdes ont été rangées récemment. Les aliments chauds font fonctionner davantage le congélateur et ce, jusqu'à ce qu'il ait atteint la température désirée.

Le congélateur est resté ouvert trop longtemps ou trop fréquemment. De l'air chaud y entre à chaque fois qu'il est ouvert. Ouvrez-le moins souvent.

Le congélateur est peut-être légèrement ouvert. Voyez **Problèmes de porte**.

La commande de température est placée en position trop froide. Tournez-la à un réglage plus chaud. Attendez plusieurs heures que la température se stabilise.

Le joint du congélateur est sale, usé, fendillé ou mal ajusté. Nettoyez ou remplacez le joint. Des fuites dans le joint peuvent faire fonctionner le congélateur plus longtemps afin de maintenir la température désirée.

Les températures à l'intérieur du congélateur sont trop basses.

La commande de température est en position trop froide. Tournez-la à un réglage plus chaud. Attendez plusieurs heures que la température se stabilise.

Les températures à l'intérieur du congélateur sont trop élevées.

La commande de température est en position trop chaude. Tournez-la à un réglage plus froid. Attendez plusieurs heures que la température se stabilise.

Le congélateur est resté ouvert trop longtemps ou trop fréquemment. De l'air chaud y entre à chaque fois qu'il est ouvert. Ouvrez-le moins souvent.

Le congélateur est peut-être légèrement ouvert. Voyez **Problèmes de porte**.

De grandes quantités d'aliments chauds ou tièdes ont été rangées récemment. Attendez que le congélateur ait atteint la température choisie.

Le congélateur a récemment été débranché, pendant quelque temps. Le congélateur a besoin de 4 heures pour se refroidir complètement.

La température de la surface externe est élevée.

La caisse du congélateur est toujours tiède au toucher. Le congélateur fonctionne normalement, en retirant l'air chaud de l'intérieur.

BRUITS

Bruits plus élevés lorsque le congélateur est en marche.

Les congélateurs d'aujourd'hui ont plus de capacité de rangement et des températures plus uniformes. Ils ont besoin d'un compresseur haute vitesse. Ceci est normal.

Bruits plus élevés lorsque le compresseur se met en marche.

Le congélateur fonctionne à de plus hautes pressions pendant la mise en marche du cycle de refroidissement. Ceci est normal. Les bruits se stabilisent ou disparaissent alors que le congélateur continue à fonctionner.

PROBLÈME

SOLUTION

BRUITS (suite)

Craquements lorsque le compresseur se met en marche.

Les composants métalliques se dilatent et se contractent comme des tuyaux d'eau chaude. Ceci est normal. Le bruit se stabilise ou disparaît alors que le congélateur continue à fonctionner.

Bruits de bouillonnement semblables à l'eau qui bout.

Le réfrigérant (utilisé pour refroidir le congélateur) circule dans le système. Ceci est normal.

Bruits de ferraille ou de vibration.

Le congélateur n'est pas de niveau. Il oscille lorsqu'on le bouge à peine. Réglez les pieds de mise à niveau. Voyez Mise à niveau sous **Pour bien commencer**.

Le plancher est irrégulier ou faible. Le congélateur oscille lorsqu'on le bouge à peine. Assurez-vous que le plancher peut soutenir le congélateur. Mettez le plancher de niveau en utilisant des cales en bois sous le congélateur.

Le congélateur touche le mur. Refaites la mise à niveau du congélateur ou déplacez-le légèrement. Voyez Mise à niveau sous **Pour bien commencer**.

EAU/HUMIDITÉ/GIVRE À L'INTÉRIEUR DU CONGÉLATEUR

De la condensation se forme sur les parois intérieures du congélateur.

Le temps est chaud et humide, ce qui augmente l'accumulation sur les parois intérieures. Ceci est normal.

Le congélateur est légèrement ouvert. Voyez **Problèmes de porte**.

Le congélateur est resté ouvert trop longtemps ou trop souvent. Ouvrez-le moins souvent.

EAU/HUMIDITÉ/GIVRE À L'EXTÉRIEUR DU CONGÉLATEUR

De la condensation se forme sur les parois extérieures du congélateur.

Le congélateur est légèrement ouvert, d'où rencontre de l'air froid venant de l'intérieur du congélateur avec l'air chaud et humide ambiant. Voyez **Problèmes de porte**.

ODEURS DANS LE CONGÉLATEUR

Nettoyez l'intérieur avec éponge, eau tiède et bicarbonate de soude. L'intérieur doit être nettoyé.

Des aliments dégageant une odeur forte sont dans le congélateur. Couvrez hermétiquement ces aliments.

PROBLÈMES DE PORTE

La porte ne se ferme pas.

Le congélateur n'est pas de niveau. Il oscille lorsqu'on le bouge à peine. Cette condition peut déformer la caisse et désaligner la porte. Reportez-vous à Mise à niveau sous **Pour bien commencer**.

Le plancher est inégal ou faible. Le congélateur oscille lorsqu'on le bouge à peine. Mettez le plancher à niveau à l'aide de cales en bois ou en métal placées sous le congélateur ou renforcez le plancher.

L'AMPOULE NE S'ALLUME PAS

L'ampoule est grillée. Voyez Éclairage intérieur sous **Caractéristiques du congélateur**.

Il n'y a pas de courant qui arrive au congélateur. Voyez **Le congélateur ne fonctionne pas**.

GARANTIE DU CONGÉLATEUR

Votre congélateur est protégé par cette garantie

	PÉRIODE DE GARANTIE	CE QUE NOUS FERONS PAR L'ENTREMISE D'AGENTS AUTORISÉS	RESPONSABILITÉS DU CONSOMMATEUR
GARANTIE INITIALE COMPLÈTE D'UN AN	Un an à partir de la date d'achat initial.	Paierons tous les frais de réparation ou de remplacement de pièces de cet appareil, qui démontreront un défaut de matériel ou de main-d'œuvre.	Frais d'appels de service pour entretien décrit sous RESPONSABILITÉS NORMALES DU CONSOMMATEUR*
GARANTIE LIMITÉE (système scellé) ANNÉES 2 à 5 incl.	De la deuxième à la cinquième année à partir de la date d'achat initial.	Réparation ou remplacement de toute pièce du système scellé de réfrigération (compresseur, condensateur, évaporateur et tuyauterie), démontrant un défaut de matériel ou de main-d'œuvre, en fournissant la main-d'œuvre pour l'installation de telle pièce.	Frais de dépiستage et tout frais de démontage, transport et de réinstallation requis pour fin de réparation. Frais de main-d'œuvre, pièces et transport autres que ceux reliés au système scellé de réfrigération.
GARANTIE LIMITÉE (compresseur seulement) ANNÉES 6 à 10 incl.	De la sixième à la dixième année à partir de la date d'achat initial	Fourniture d'un compresseur de remplacement pour tout compresseur démontrant un défaut de matériel ou de fabrication.	Frais de dépiستage et tout frais de démontage, transport et de réinstallation requis pour fin de réparation. Frais de main-d'œuvre, pièces et transport autres que le coût du remplacement lui-même.
GARANTIE LIMITÉE (Applicable à l'état d'Alaska)	Périodes mentionnées ci haut.	Toutes les provisions des garanties complète et limitées ci-dessus et les exclusions décrites ci dessous s'appliquent.	Frais de déplacement du technicien au domicile, et tout frais encouru pour l'envoi et le retour de l'appareil, requis pour fin de réparation.
PLAN LIMITÉ DE TROIS ANS POUR AVARIE DE NOURRITURE	Durant les trois premières années de la date d'achat initial.	Respectant les limites stipulées sous "responsabilités normales du client" ci-dessous, s'il survient une perte de nourriture à cause d'un défaut de matériel ou de fabrication durant la période ci-mentionnée, Electrolux remboursera au consommateur la perte actuelle de nourriture par avarie excédant \$5.00 par incident, tout en n'excédant pas un maximum cumulatif de \$100.00 si les pertes de nourritures sont : A. Rapportées et la nourriture montrée à n'importe lequel des agents de service Electrolux autorisés dans les 24 heures suivant la découverte de la perte. B. Ne sont pas causées soit par un débranchement manuel de l'alimentation électrique aux prémices du propriétaire ou par une panne générale. C. Se produisent même si le propriétaire a fait preuve de diligence et a pris des précautions raisonnables pour préserver la nourriture selon les suggestions fournies avec l'appareil.	

Aux États-Unis, votre appareil est garanti par Electrolux Home Products d'Amérique du Nord, une filiale de White Consolidated Industries Inc. Nous n'autorisant aucune personne à modifier ou à ajouter quelle qu'obligation que ce soit à cette garantie. Nos obligations concernant les réparations ou les pièces couvertes par cette garantie doivent être effectuées par Electrolux Home Products d'Amérique du Nord ou par un préposé à l'entretien autorisé de Electrolux Home Products d'Amérique du Nord. Au Canada, votre appareil est garanti par les WCI Canada Inc.

***RESPONSABILITÉS NORMALES DU CLIENT** Cette garantie s'applique uniquement aux produits utilisés à des fins domestiques et le client est responsable pour les items inclus dans la liste ci-dessous :

1. Une utilisation appropriée de l'appareil conformément aux instructions fournies avec le produit.
2. Une installation appropriée par un préposé à l'entretien autorisé conformément aux instructions fournies avec l'appareil et à tous les codes locaux de plomberie, d'électricité et/ou de gaz.
3. Un branchement approprié à une prise de courant avec mise à la terre et à une tension suffisante, ainsi que le remplacement des fusibles grillés, la réparation des branchements défectueux ou défectueux.
4. Les coûts pour rendre l'appareil accessible pour les réparations, comme la dépose de garnitures, d'armoires, d'étagères, etc., qui ne faisaient pas partie de l'appareil à sa sortie de l'usine.
5. Les dommages au fini après l'installation.
6. Le remplacement des ampoules électriques et/ou des tubes fluorescents (sur les modèles qui présentent ces caractéristiques).

EXCLUSIONS Cette garantie ne couvre pas :

1. LES DOMMAGES INDIRECTS OU CONSÉCUTIFS, COMME LES DOMMAGES À LA PROPRIÉTÉ OU LES FRAIS CONSÉCUTIFS RÉSULTANT D'UN MANQUEMENT DE QUELLE QUE NATURE QUE CE SOIT DE CETTE GARANTIE ÉCRITE OU DE TOUTE AUTRE GARANTIE IMPLICITE
REMARQUE : Certains états ou provinces ne permettent pas l'exclusion ou la limitation des dommages indirects ou consécutifs, il est donc possible que cette limitation ne s'applique pas à votre cas.
2. Les appels de service non reliés à un mauvais fonctionnement ou à une défaillance de matériaux ou de fabrication ou pour les appareils qui ne servent pas à des fins domestiques. Le client devra assumer les frais de ces appels de service.
3. Les dommages causés par un entretien effectué par un préposé non autorisé par Electrolux Home Products d'Amérique du Nord; l'utilisation de pièces autres que les pièces authentiques de Electrolux Home Products ou obtenues par une personne autre qu'un préposé autorisé ou encore des causes extérieures comme une utilisation abusive, un mauvais usage, une alimentation électrique inadéquate ou une catastrophe naturelle.
4. Les produits dont les numéros de série d'origine ont été enlevés ou effacés et qui ne peuvent être lus.

SI VOUS AVEZ BESOIN DE SERVICE

Garder votre facture, le bordereau de livraison ou toute autre preuve de versement effectué. La date de la facture indique le début de la période de garantie dans l'éventualité où une réparation serait requise. Il est dans votre intérêt de demander et de conserver tous les reçus. Cette garantie écrite vous donne des droits légaux spécifiques. Il est possible que vous ayez également d'autres droits qui varient selon les régions. Les services couverts par cette garantie doivent être obtenus en contactant Electrolux Home Products :

Cette garantie ne s'applique qu'aux 50 états des États-Unis, Puerto Rico, et Canada. Les caractéristiques du produit décrites ou illustrées sont sujettes à des modifications sans préavis. Toutes les garanties sont émises par Electrolux Home Products d'Amérique du Nord, une filiale de White Consolidated Industries Inc. Au Canada, votre appareil est garanti par les WCI Canada Inc.

01-U-FR-02 (Rev. 3/2001)

USA
800•944•9044
 Electrolux Home Products North America
 P.O. Box 212378
 Augusta, GA 30917

Canada
866•294•9911
 Electrolux Home Products North America
 6150 McLaughlin Road
 Mississauga, Ontario
 L5R 4C2