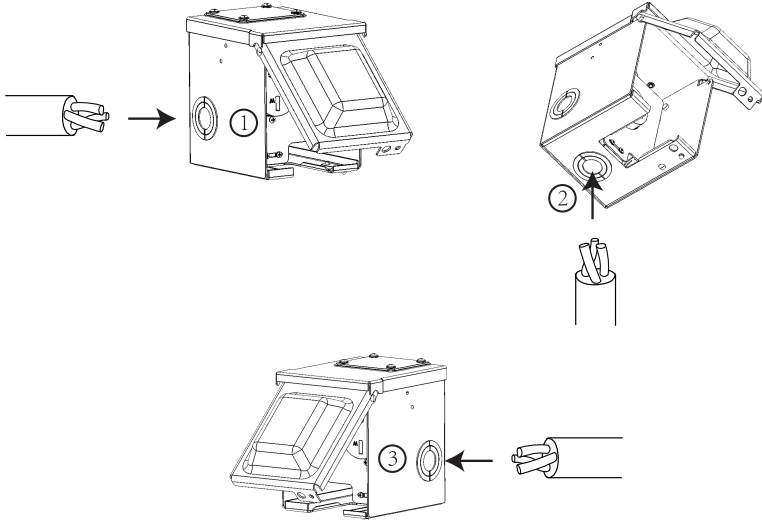


INSTALLATION NOTES

1. Choose the threading hole that suits you the best.



2. Tools required(not included): knockout punch set.

