

VEVOR[®]

TOUGH TOOLS, HALF PRICE

Technical Support and E-Warranty Certificate www.vevor.com/support

PATIO SWING

USER MANUAL

We continue to be committed to provide you tools with competitive price.

"Save Half", "Half Price" or any other similar expressions used by us only represents an estimate of savings you might benefit from buying certain tools with us compared to the major top brands and does not necessarily mean to cover all categories of tools offered by us. You are kindly reminded to verify carefully when you are placing an order with us if you are actually saving half in comparison with the top major brands.

VEVOR®

TOUGH TOOLS, HALF PRICE

PATIO SWING

MODEL:SW127-13-W,SW127-13-B



NEED HELP? CONTACT US!

Have product questions? Need technical support? Please feel free to contact us:

Technical Support and E-Warranty Certificate
www.vevor.com/support

This is the original instruction, please read all manual instructions carefully before operating. VEVOR reserves a clear interpretation of our user manual. The appearance of the product shall be subject to the product you received. Please forgive us that we won't inform you again if there are any technology or software updates on our product.

SAFETY INSTRUCTIONS

WARNING:

Read this instructions carefully before using this product. Failure to do so can result in serious injury.

Assembly precautions







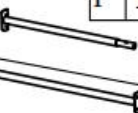








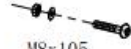








1. Assemble only should be according to these instructions. Improper assembly can result in hazards.
2. Wear ANSI-approved safety goggles and heavy-duty work gloves during assembly.
3. Keep the assembly area clean and well-lit.
4. Keep bystanders out of the area during assembly.
5. Do not assemble when tired or when under the influence of alcohol, drugs or medication.
6. The product capabilities apply to properly and completely assembled products only.
7. Assemble on a flat, level, hard and smooth surface capable of safely supporting the patio swing.
8. For additional information regarding the parts listed in the following pages, please refer to the Assembly Diagram of this manual. Unwrap and separate all parts in a clean work area.






Use precautions

1. Do not exceed weight capacities.
2. Use only on a flat, level and hard surface capable of safely supporting a fully loaded patio swing.
3. Use as intended only.
4. Inspect before every use; do not use if parts are loose or damaged.

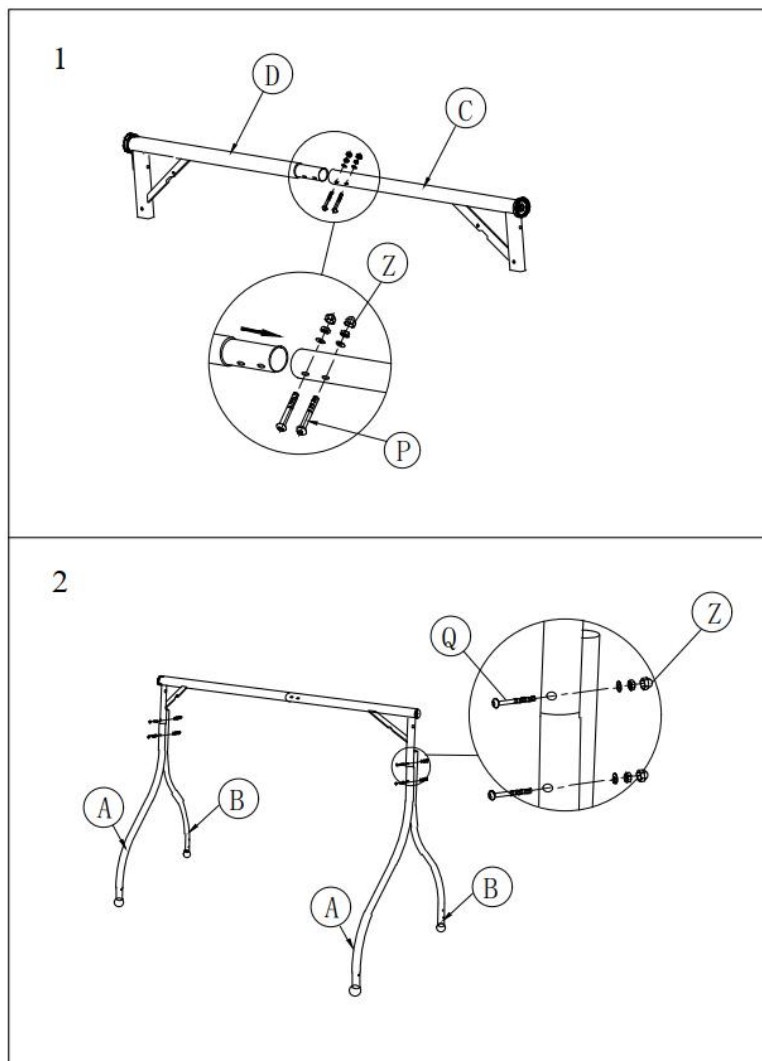
SAVE THESE INSTRUCTIONS

PARTS LIST

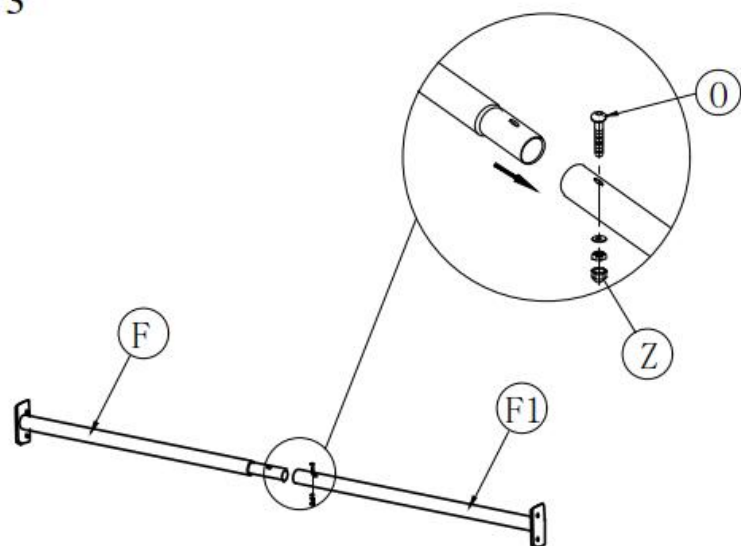
							
A	x2	B	x2	C	x1	D	x1
				 <div style="border: 1px solid black; padding: 2px; display: inline-block;">F</div> x1			
E	x2	E1	x4	F1	x1	G	x2
							
H	x2	I	x1	I1	x1	J	x1
		 M6x30		 M8x60		 M8x105	
M	x1	O	x1	P	x2	Q	x4
 M6x60		 M6 M6x60		 M8x45 <div style="border: 1px solid black; padding: 2px; display: inline-block;">M8x4</div>		 M8x70	
R	x6	R1	x2	S	x6	T	x2
		 <div style="border: 1px solid black; padding: 2px; display: inline-block;">M6</div> x7		 <div style="border: 1px solid black; padding: 2px; display: inline-block;">M6</div> x1			
Y	x2	Z	M8	x12	AA	M8	x1
						BB	x1

 M8x40					
H2 x2	H1 x4	N x3	U x2		Y1 x2

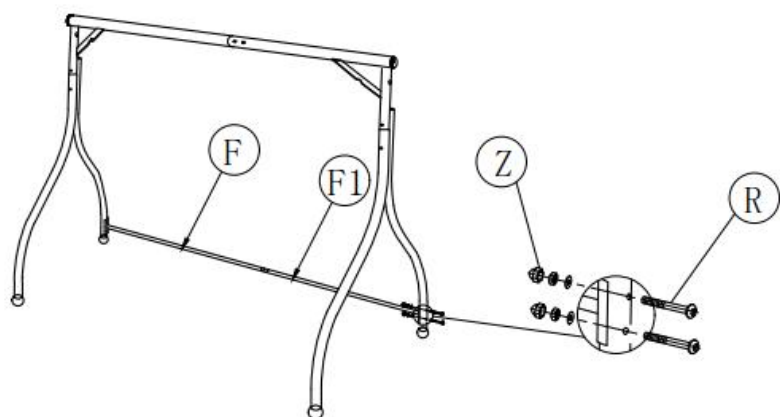
ASSEMBLY STEP



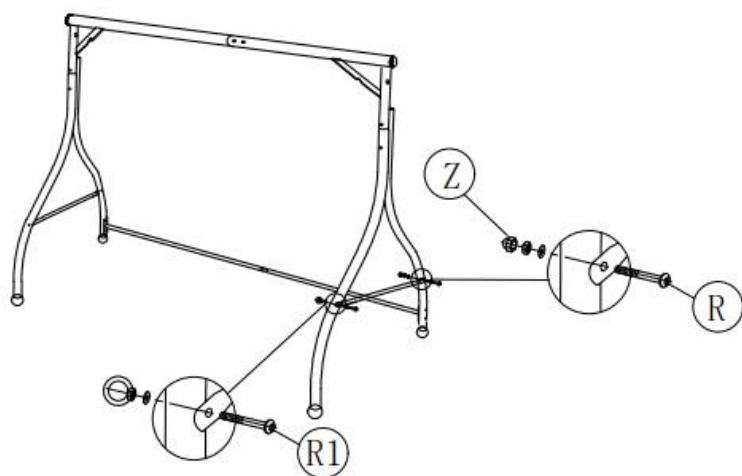
3



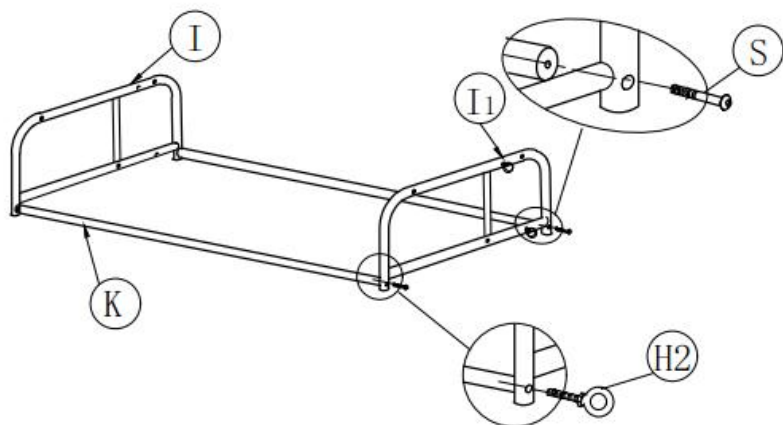
4



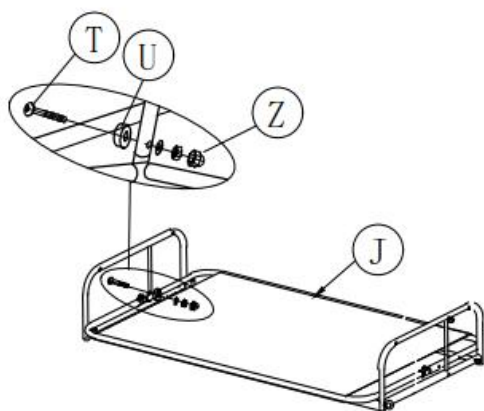
5



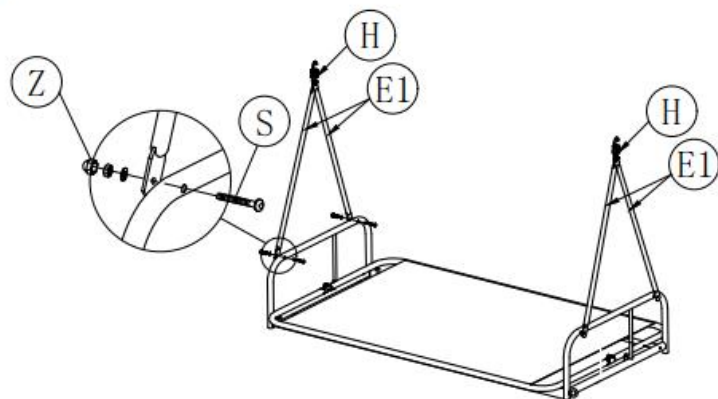
6



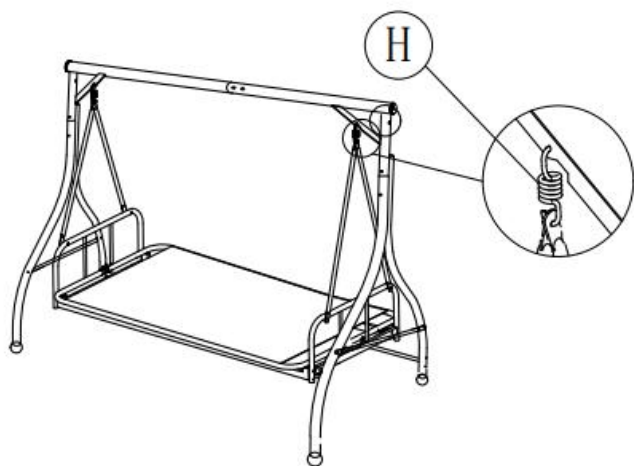
7



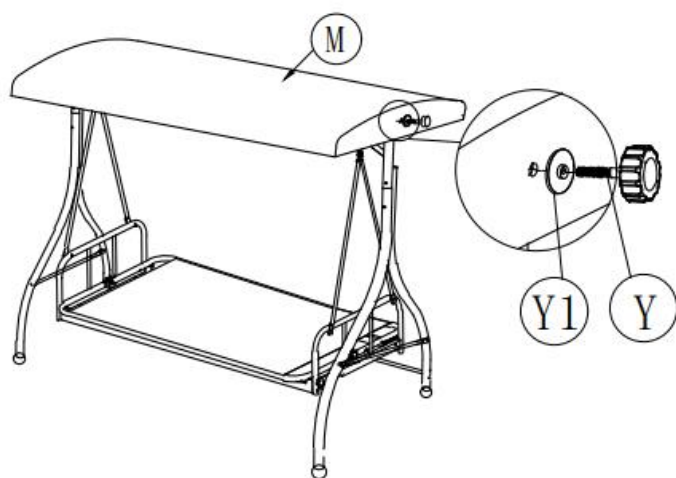
8



9



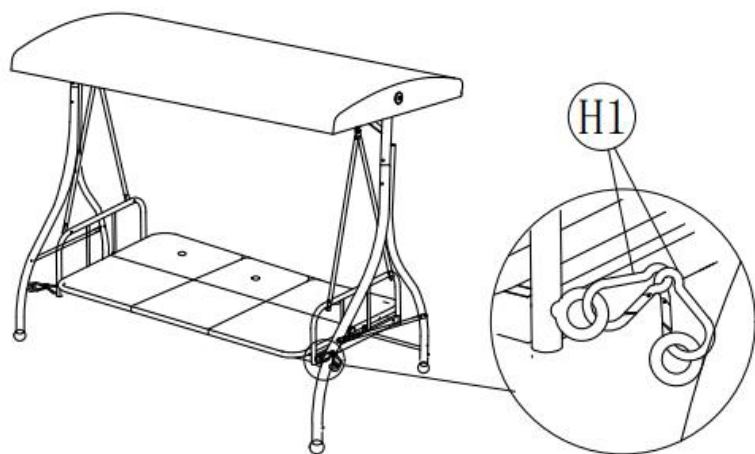
10



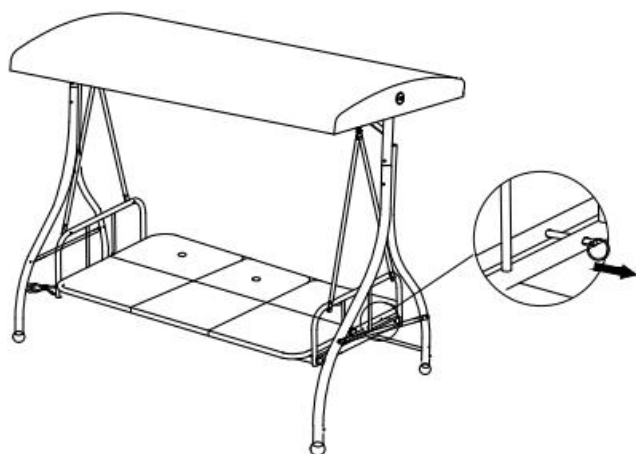
11



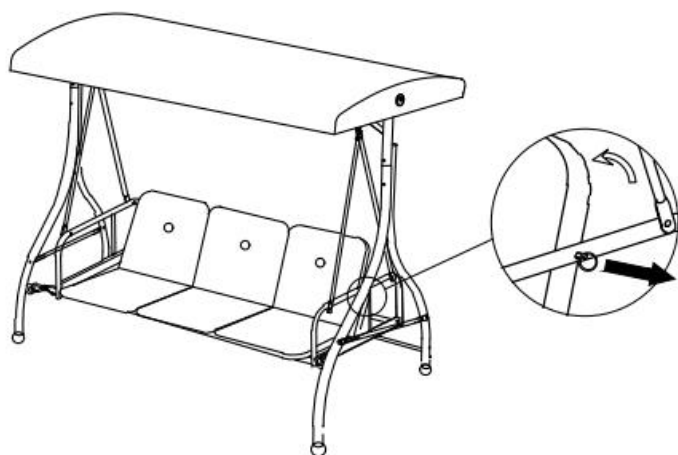
12



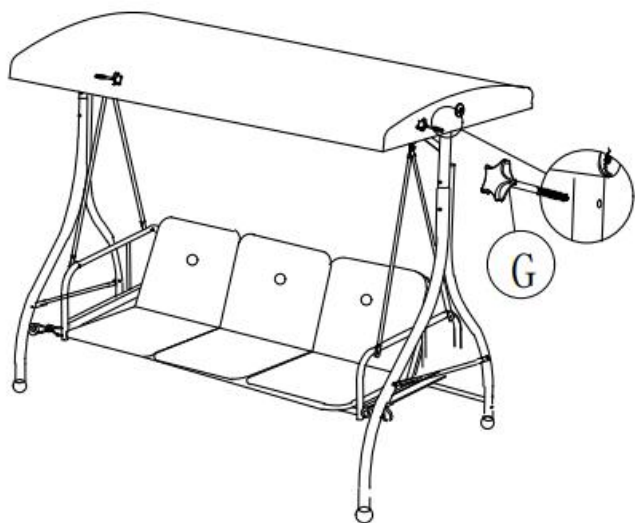
13



14



15



16



PRODUCT PARAMETER

Specification	76*47 inch
Size (mm)	1850*1170*1770
Colour	SW127-13-W— Wine red
	SW127-13-B— Brown
Type	Lie down and sit in one
Main material	Steel&oxford cloth&Polyester fabric
Load-bearing	≤750 lbs

VEVOR[®]

TOUGH TOOLS, HALF PRICE

Technical Support and E-Warranty Certificate

www.vevor.com/support

VEVOR®

TOUGH TOOLS, HALF PRICE

Techniczny Certyfikat wsparcia i e-gwarancji www.vevor.com/support

HUŚTAWKA TARASOWA

Widzisz INSTRUKCJĘ

We continue to be committed to provide you tools with competitive price.

"Save Half", "Half Price" or any other similar expressions used by us only represents an estimate of savings you might benefit from buying certain tools with us compared to the major top brands and does not necessarily mean to cover all categories of tools offered by us. You are kindly reminded to verify carefully when you are placing an order with us if you are actually saving half in comparison with the top major brands.

VEVOR[®]

TOUGH TOOLS, HALF PRICE

PATIO SWING

MODEL: SW127-13-W , SW127-13-B



NEED HELP? CONTACT US!

Have product questions? Need technical support? Please feel free to contact us:

Technical Support and E-Warranty Certificate
www.vevor.com/support

This is the original instruction, please read all manual instructions carefully before operating. VEVOR reserves a clear interpretation of our user manual. The appearance of the product shall be subject to the product you received. Please forgive us that we won't inform you again if there are any technology or software updates on our product.

SAFETY INSTRUCTIONS

OSTRZEŻENIE:

Przeczytaj uważnie niniejszą instrukcję przed użyciem tego produktu. Niezastosowanie się do tego może spowodować poważne obrażenia.

Środki ostrożności podczas montażu







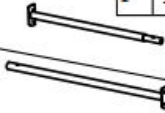












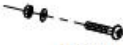




9. Montaż wyłącznie zgodnie z niniejszą instrukcją. Nieprawidłowy montaż może powodować zagrożenia.
10. Podczas montażu należy nosić okulary ochronne i wytrzymałe rękawice robocze zatwierdzone przez ANSI.
11. Utrzymuj miejsce zbiórki w czystości i dobrze oświetlone.
12. Podczas montażu trzymaj osoby postronne z dala od obszaru.
13. Nie należy montować, gdy jest się zmęczonym lub pod wpływem alkoholu, narkotyków lub leków.
14. Możliwości produktu dotyczą wyłącznie produktów prawidłowo i całkowicie zmontowanych.
15. Montaż na płaskiej, równej, twardej i gładkiej powierzchni, która może bezpiecznie utrzymać huśtawkę tarasową.
16. Dodatkowe informacje dotyczące części wymienionych na kolejnych stronach można znaleźć w schemacie montażu w niniejszej instrukcji. Rozpakuj i oddziel wszystkie części w czystym miejscu pracy.






Stosuj środki ostrożności

5. Nie przekraczaj udźwigu.
6. Używaj wyłącznie na płaskiej, poziomej i twardej powierzchni, która może bezpiecznie utrzymać w pełni obciążoną huśtawkę tarasową.
7. Używaj wyłącznie zgodnie z przeznaczeniem.
8. Sprawdź przed każdym użyciem; nie używać, jeśli części są luźne lub uszkodzone.

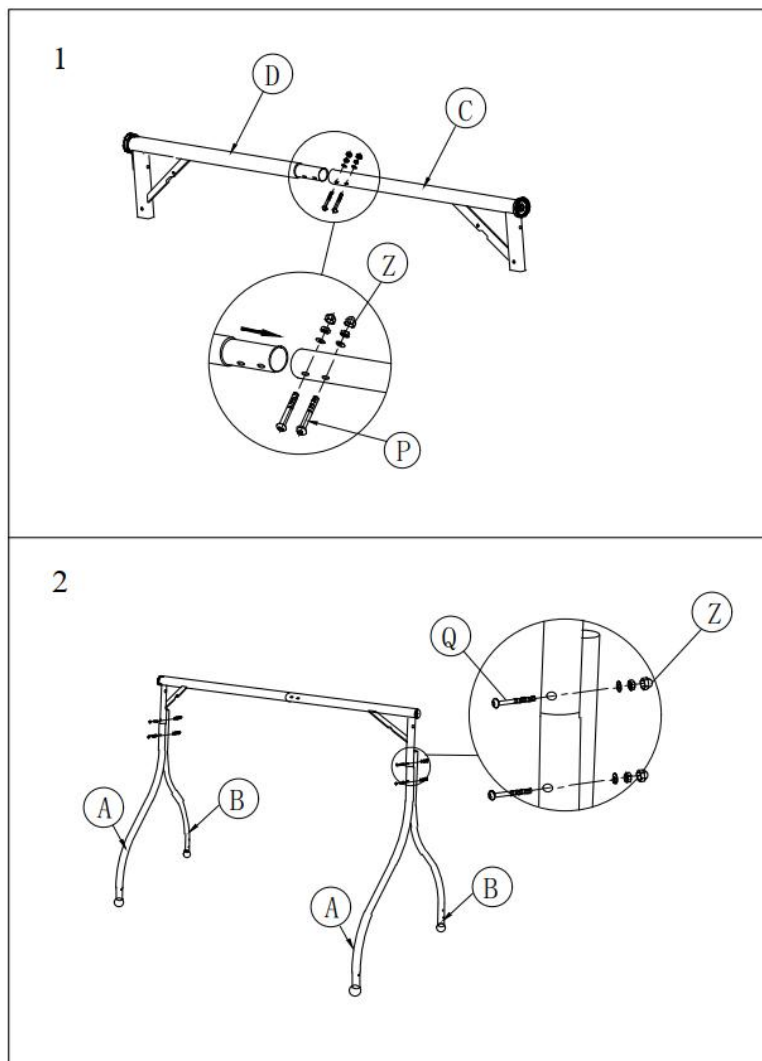
ZACHOWAJ TE INSTRUKCJE

PARTS LIST

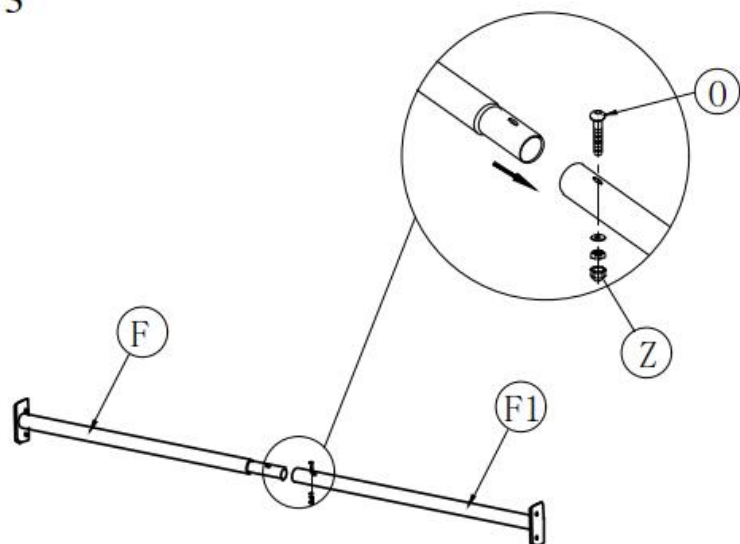
							
A	x2	B	x2	C	x1	D	x1
				 <div style="border: 1px solid black; padding: 2px; display: inline-block;">F x1</div>			
E	x2	E1	x4	F1	x1	G	x2
							
H	x2	I	x1	I1	x1	J	x1
		 M6x30		 M8x60		 M8x105	
M	x1	O	x1	P	x2	Q	x4
 M6x60		 M6 M6x60		 M8x45 M8x4		 M8x70	
R	x6	R1	x2	S	x6	T	x2
		 M6 x7					
Y	x2	Z	M8 x12	AA	M8 x1	BB	x1

 M8x40					
H2 x2	H1 x4	N x3	U x2		Y1 x2

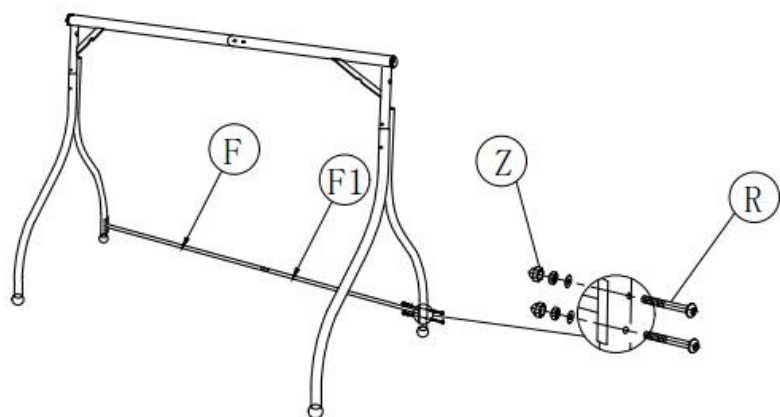
ASSEMBLY STEP



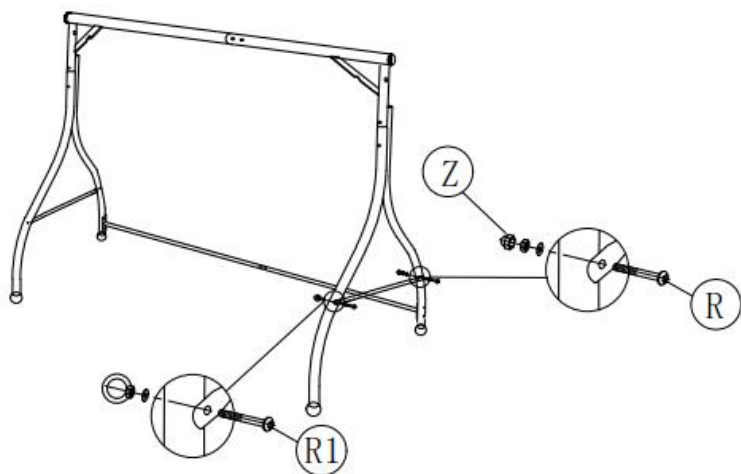
3



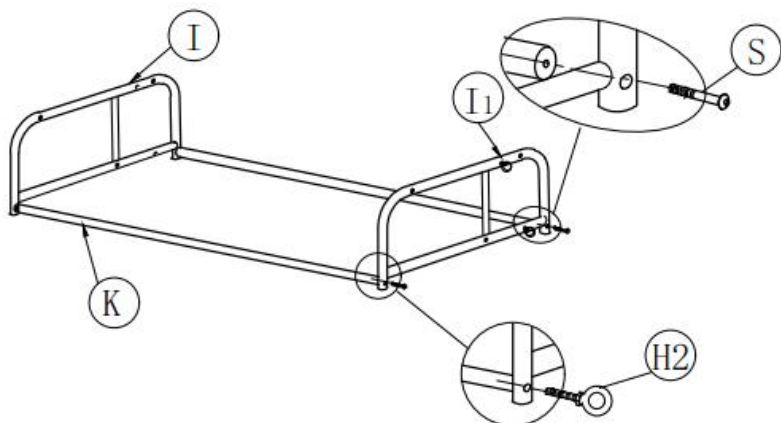
4



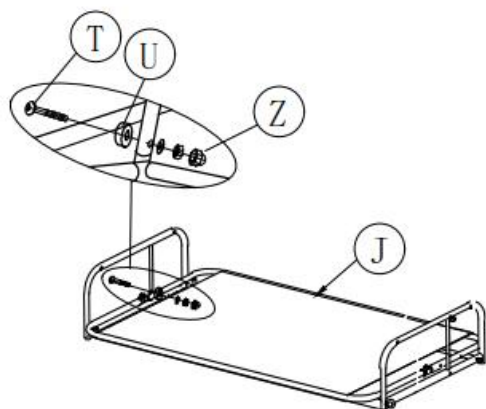
5



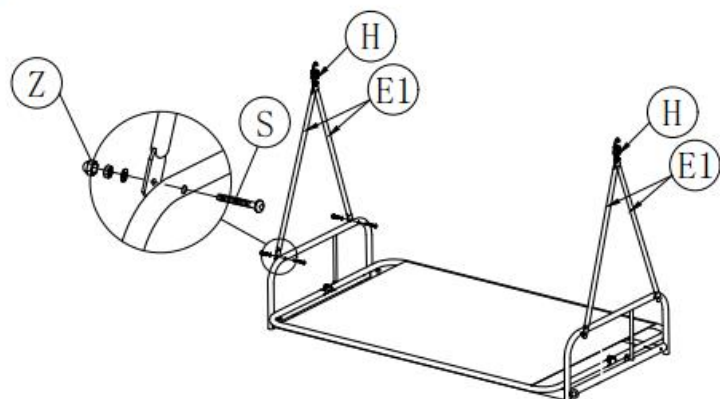
6



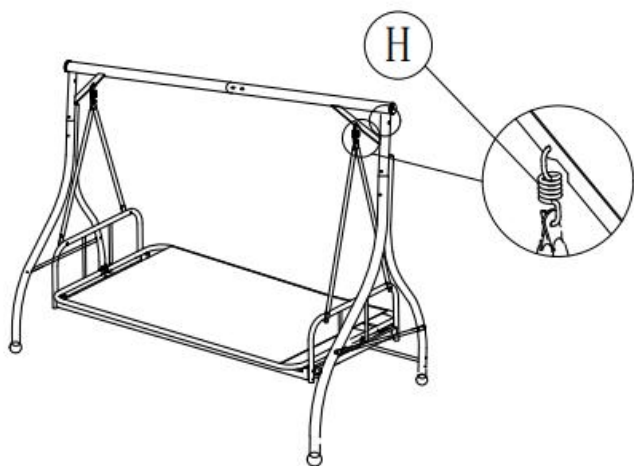
7



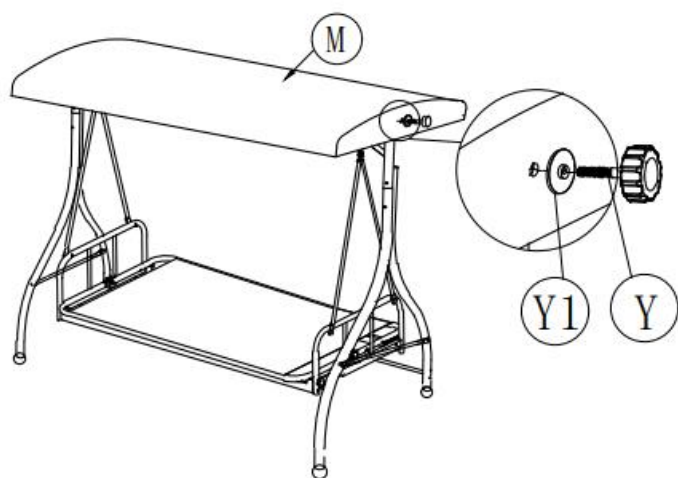
8



9



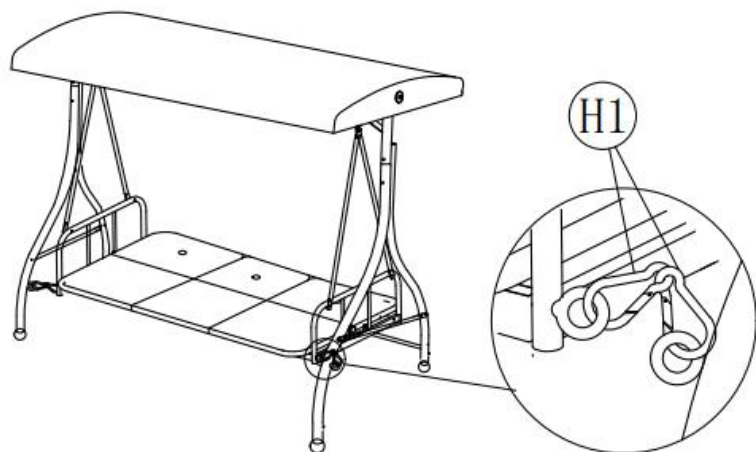
10



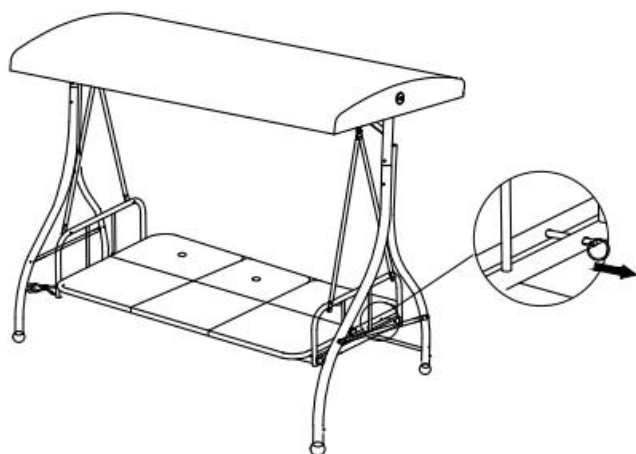
11



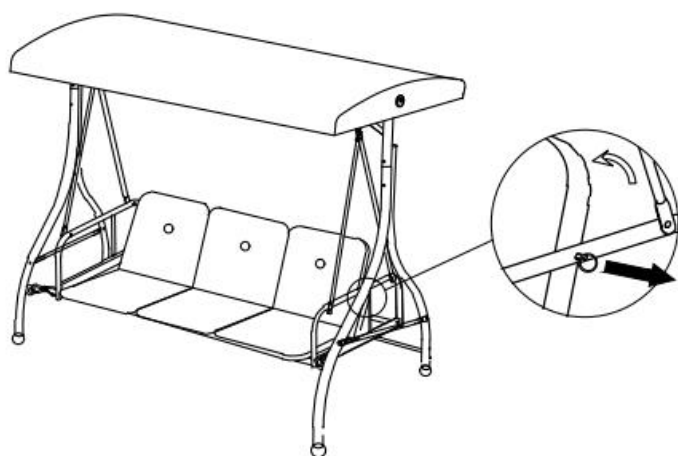
12



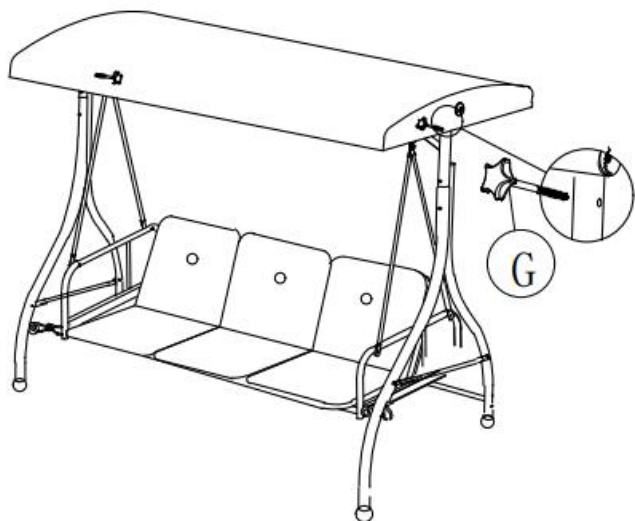
13



14



15



16



PRODUCT PARAMETER

Specyfikacja	76*47 cali
Rozmiar (mm)	1850*1170*1770
Kolor	SW127-13-W — Wino czerwone
	SW127-13-B — brązowy
Typ	Położ się i usiądź w jednym
Główny materiał	Tkanina stalowa i oxford oraz tkanina poliestrowa
Nośne	≤ 750 funtów

Adres: Baoshanqu Shuangchenglu 803long 11hao 1602A-1609shi Szanghaj
Import do AUS: SIHAO PTY LTD. 1 ROKEVA STREETEASTWOOD NSW 2122
Australia

Import do USA: Sanven Technology Ltd. Apartament 250, 9166 Anaheim Place,
Rancho Cucamonga, Kalifornia 91730



SHUNSHUN GmbH
Römeräcker 9 Z2021,76351
Linkenheim-Hochstetten, Germany
euvertreter@gmail.com
+49 1727041930



Pooledas Group Ltd
Unit 5 Albert Edward House, The
Pavilions Preston, United Kingdom
pooledas123@gmail.com
01772418127

Wyprodukowano w Chinach

VEVOR[®]

TOUGH TOOLS, HALF PRICE

Techniczny Certyfikat wsparcia i e-gwarancji

www.vevor.com/support

VEVOR[®]

TOUGH TOOLS, HALF PRICE

Technisch Support- und E-Garantie-Zertifikat www.vevor.com/support

TERRASSENSCHAUKEL

Siehe HANDBUCH

We continue to be committed to provide you tools with competitive price.

"Save Half", "Half Price" or any other similar expressions used by us only represents an estimate of savings you might benefit from buying certain tools with us compared to the major top brands and does not necessarily mean to cover all categories of tools offered by us. You are kindly reminded to verify carefully when you are placing an order with us if you are actually saving half in comparison with the top major brands.

VEVOR®

TOUGH TOOLS, HALF PRICE

PATIO SWING

MODELL: SW127-13-W , SW127-13-B



NEED HELP? CONTACT US!

Have product questions? Need technical support? Please feel free to contact us:

Technical Support and E-Warranty Certificate
www.vevor.com/support

This is the original instruction, please read all manual instructions carefully before operating. VEVOR reserves a clear interpretation of our user manual. The appearance of the product shall be subject to the product you received. Please forgive us that we won't inform you again if there are any technology or software updates on our product.

SAFETY INSTRUCTIONS

WARNUNG:

Lesen Sie diese Anweisungen sorgfältig durch, bevor Sie dieses Produkt verwenden. Andernfalls kann es zu schweren Verletzungen kommen.

Vorsichtsmaßnahmen bei der Montage







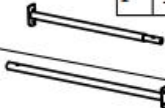

















17. Montieren Sie es nur gemäß dieser Anleitung. Durch unsachgemäße Montage können Gefahren entstehen.
18. Tragen Sie während der Montage eine ANSI-zugelassene Schutzbrille und strapazierfähige Arbeitshandschuhe.
19. Halten Sie den Montagebereich sauber und gut beleuchtet.
20. Halten Sie Unbeteiligte während der Montage vom Bereich fern.
21. Nicht aufbauen, wenn Sie müde sind oder unter dem Einfluss von Alkohol, Drogen oder Medikamenten stehen.
22. Die Produkteigenschaften gelten nur für ordnungsgemäß und vollständig montierte Produkte.
23. Auf einer flachen, ebenen, harten und glatten Oberfläche montieren, auf der die Terrassenschaukel sicher getragen werden kann.
24. Weitere Informationen zu den auf den folgenden Seiten aufgeführten Teilen finden Sie im Montagediagramm dieser Anleitung. Packen Sie alle Teile aus und trennen Sie sie an einem sauberen Arbeitsplatz.






Treffen Sie Vorsichtsmaßnahmen

9. Überschreiten Sie nicht die Gewichtskapazität.
10. Nur auf einer flachen, ebenen und harten Oberfläche verwenden, die eine voll beladene Terrassenschaukel sicher tragen kann.
11. Nur bestimmungsgemäß verwenden.
12. Vor jedem Gebrauch prüfen; Nicht verwenden, wenn Teile lose oder beschädigt sind.

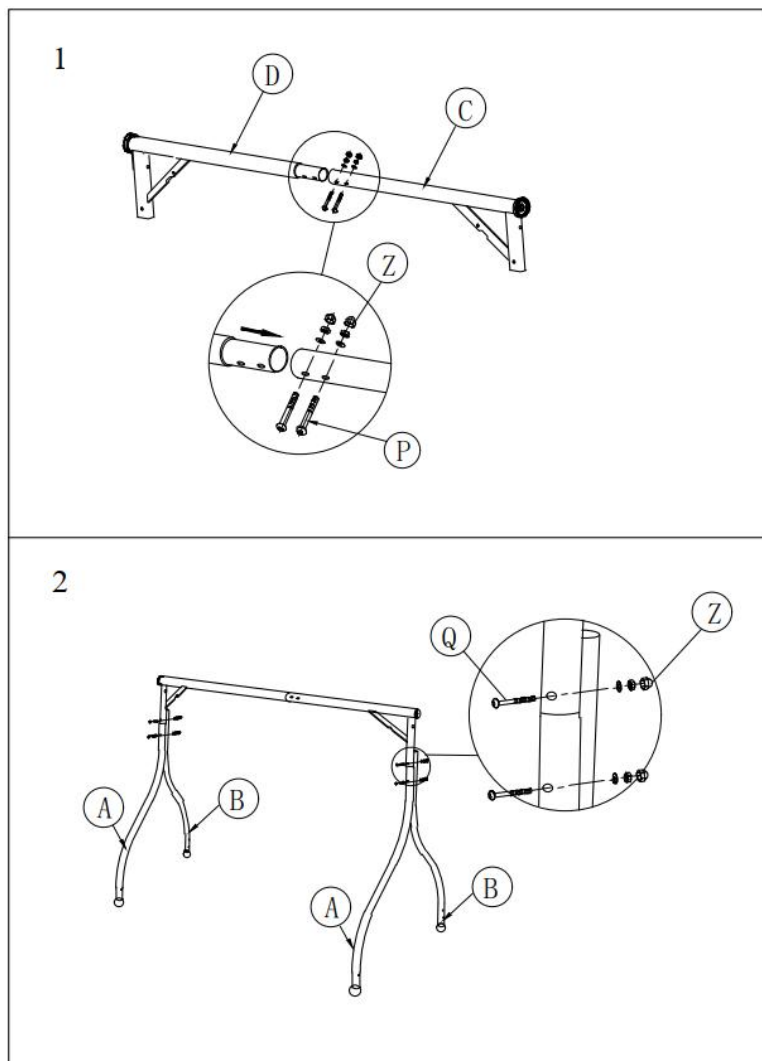
ANLEITUNG AUFBEWAHREN

PARTS LIST

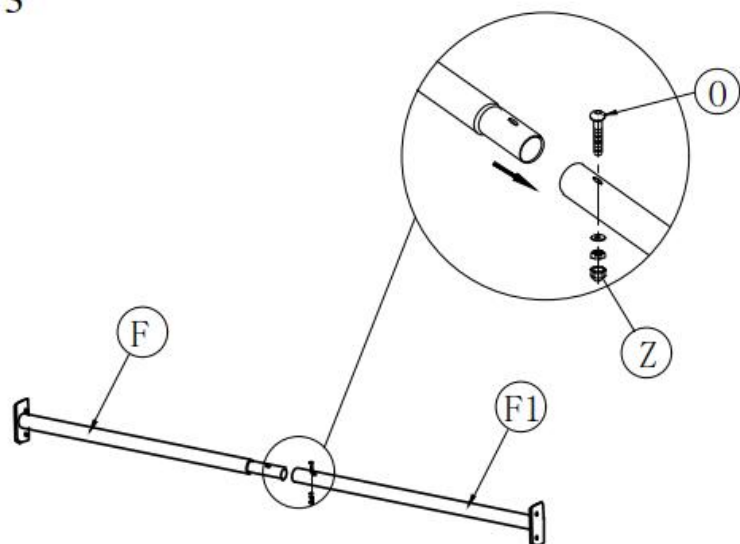
							
A	x2	B	x2	C	x1	D	x1
				 <div style="float: right; border: 1px solid black; padding: 2px;">F x1</div>			
E	x2	E1	x4	F1	x1	G	x2
							
H	x2	I	x1	I1	x1	J	x1
		 M6x30		 M8x60		 M8x105	
M	x1	O	x1	P	x2	Q	x4
 M6x60		 M6 M6x60		 M8x45 M8x4		 M8x70	
R	x6	R1	x2	S	x6	T	x2
		 M6 x7					
Y	x2	Z	M8 x12	AA	M8 x1	BB	x1

 M8x40					
H2 x2	H1 x4	N x3	U x2		Y1 x2

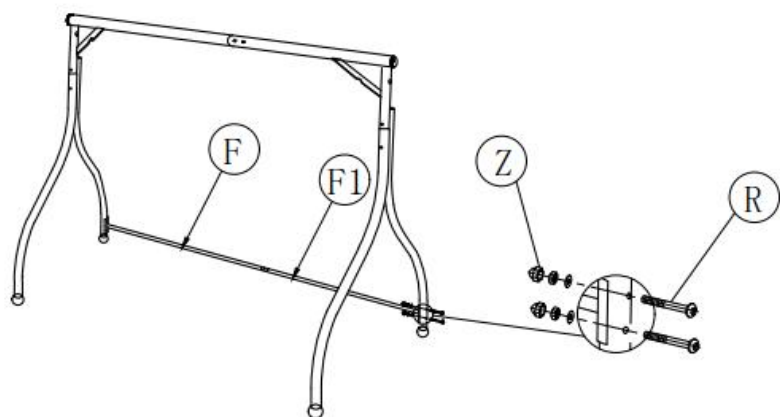
ASSEMBLY STEP



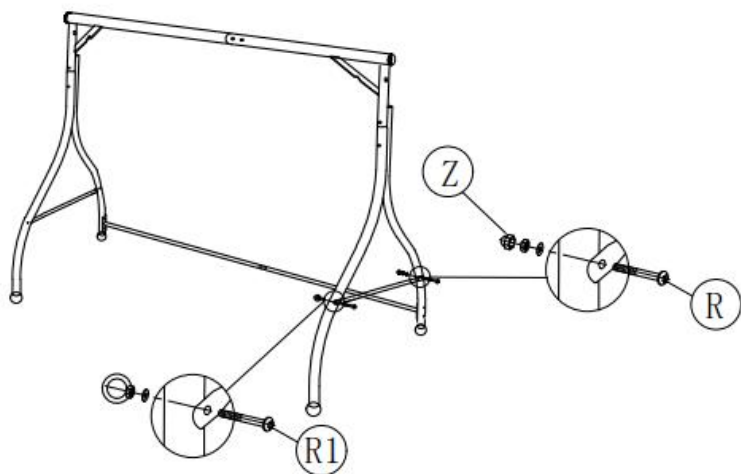
3



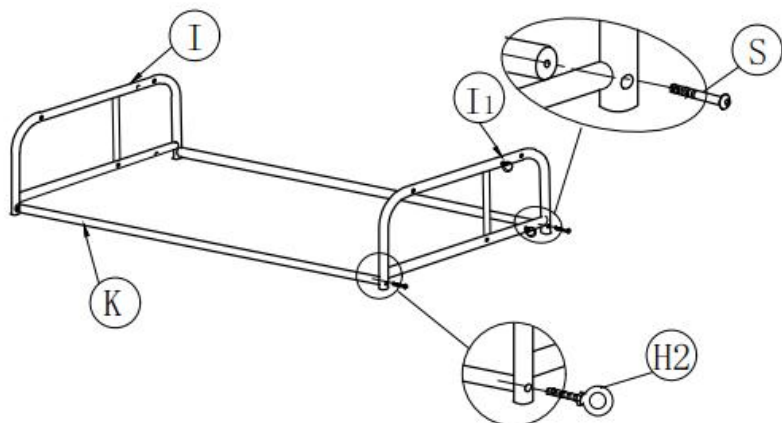
4



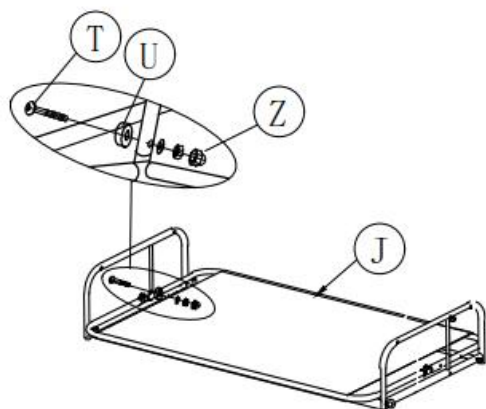
5



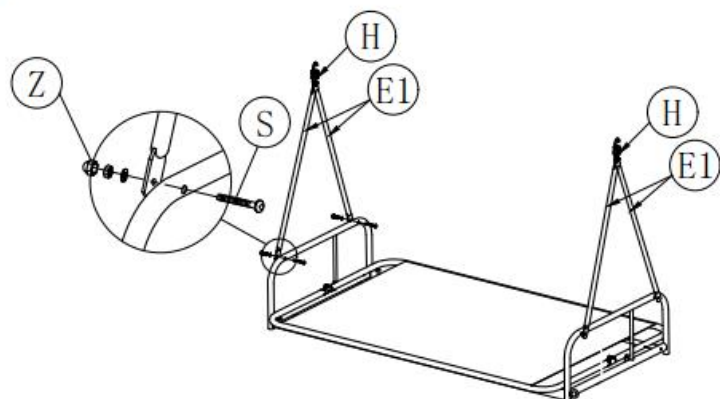
6



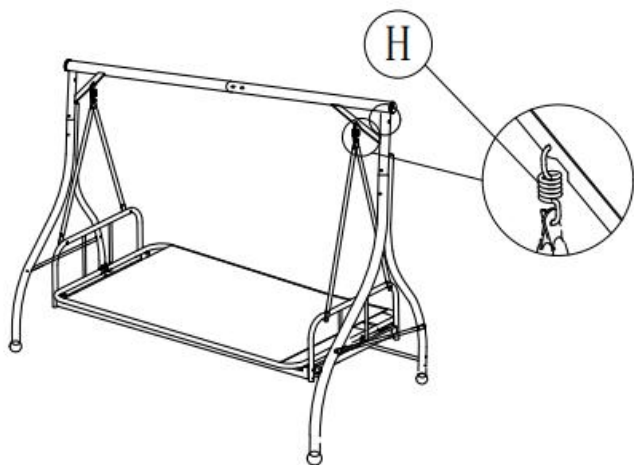
7



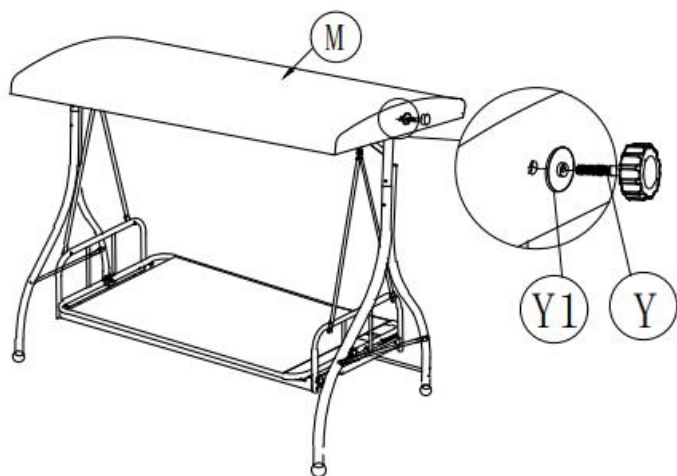
8



9



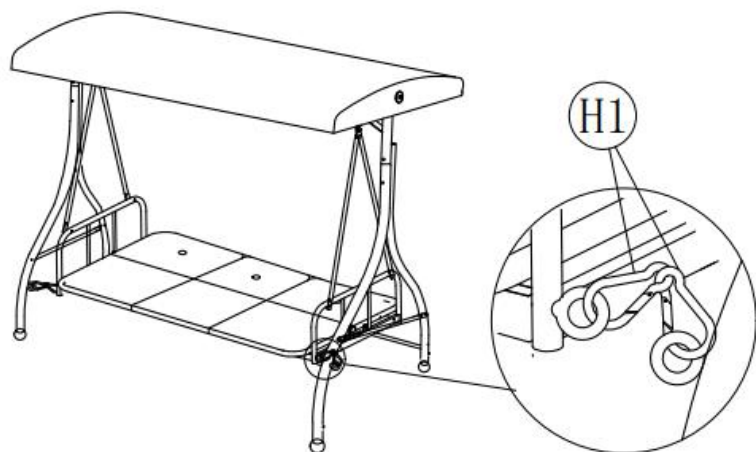
10



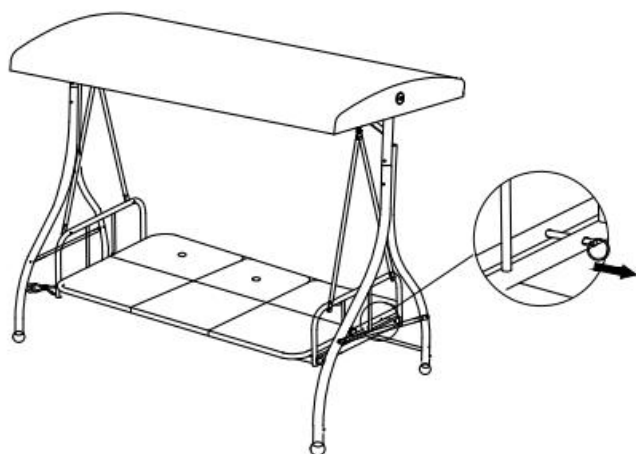
11



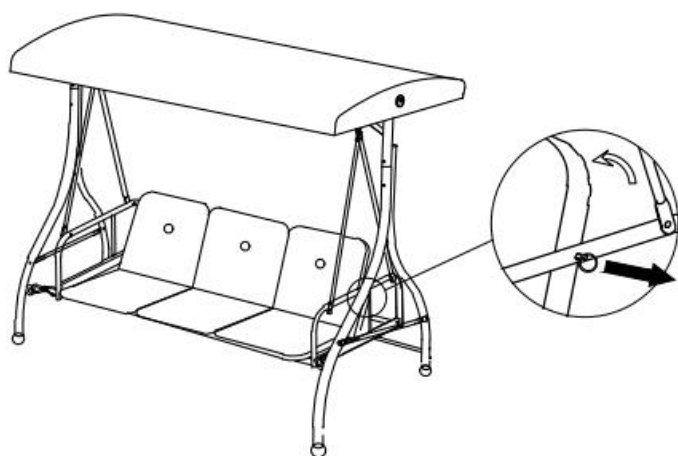
12



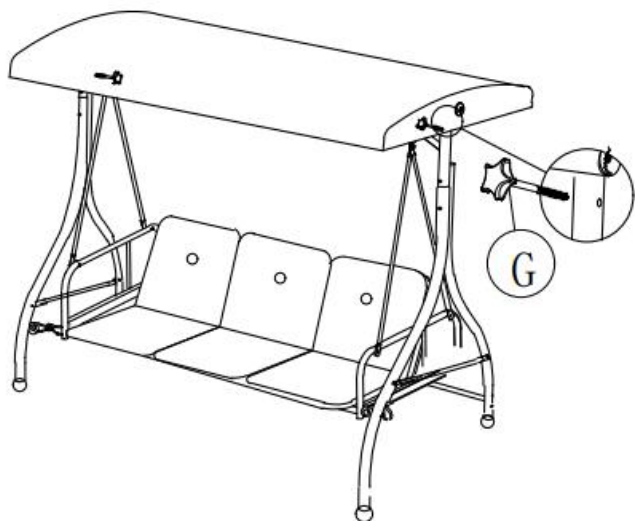
13



14



15



16



PRODUCT PARAMETER

Spezifikation	76*47 Zoll
Größe (mm)	1850*1170*1770
Farbe	SW127-13-W - Weinrot
	SW127-13-B - Braun
Typ	Legen Sie sich hin und sitzen Sie in einem
Hauptmaterial	Stahl-, Oxford- und Polyestergerewebe
Belastbarkeit	≤ 750 Pfund

Adresse: Baoshanqu Shuangchenglu 803long 11hao 1602A-1609shi Shanghai
 Importiert nach AUS: SIHAO PTY LTD. 1 ROKEVA STREETEASTWOOD NSW
 2122 Australien

Importiert in die USA: Sanven Technology Ltd. Suite 250, 9166 Anaheim Place,
 Rancho Cucamonga, CA 91730



SHUNSHUN GmbH
 Römeräcker 9 Z2021,76351
 Linkenheim-Hochstetten, Germany
 euvertreter@gmail.com
 +49 1727041930



Pooledas Group Ltd
 Unit 5 Albert Edward House, The
 Pavilions Preston, United Kingdom
 pooledas123@gmail.com
 01772418127

In China hergestellt

VEVOR[®]

TOUGH TOOLS, HALF PRICE

Technisch Support- und E-Garantiezertifikat

www.vevor.com/support

VEVOR[®]

TOUGH TOOLS, HALF PRICE

Technique Assistance et certificat de garantie électronique

www.vevor.com/support

BALANÇOIRE DE TERRASSE

Tu VOIS LE MANUEL

We continue to be committed to provide you tools with competitive price.

"Save Half", "Half Price" or any other similar expressions used by us only represents an estimate of savings you might benefit from buying certain tools with us compared to the major top brands and does not necessarily mean to cover all categories of tools offered by us. You are kindly reminded to verify carefully when you are placing an order with us if you are actually saving half in comparison with the top major brands.

VEVOR®

TOUGH TOOLS, HALF PRICE

PATIO SWING

MODÈLE : SW127-13-W , SW127-13-B



NEED HELP? CONTACT US!

Have product questions? Need technical support? Please feel free to contact us:

Technical Support and E-Warranty Certificate
www.vevor.com/support

This is the original instruction, please read all manual instructions carefully before operating. VEVOR reserves a clear interpretation of our user manual. The appearance of the product shall be subject to the product you received. Please forgive us that we won't inform you again if there are any technology or software updates on our product.

SAFETY INSTRUCTIONS

AVERTISSEMENT:

Lisez attentivement ces instructions avant d'utiliser ce produit. Ne pas le faire peut entraîner des blessures graves.

Précautions de montage

25. Assemblez uniquement selon ces instructions. Un assemblage incorrect peut entraîner des dangers.
26. Portez des lunettes de sécurité approuvées par l'ANSI et des gants de travail robustes pendant l'assemblage.
27. Gardez la zone de rassemblement propre et bien éclairée.
28. Gardez les spectateurs hors de la zone pendant l'assemblage.
29. Ne vous rassemblez pas lorsque vous êtes fatigué ou sous l'influence de l'alcool, de drogues ou de médicaments.
30. Les capacités du produit s'appliquent uniquement aux produits correctement et complètement assemblés.
31. Assemblez-le sur une surface plane, nivelée, dure et lisse, capable de supporter la balançoire de terrasse en toute sécurité.
32. Pour plus d'informations concernant les pièces répertoriées dans les pages suivantes, veuillez vous référer au schéma d'assemblage de ce manuel. Déballez et séparez toutes les pièces dans une zone de travail propre.






Utiliser des précautions

13. Ne dépassez pas les capacités de poids.
14. Utiliser uniquement sur une surface plane, nivelée et dure, capable de supporter en toute sécurité une balançoire de terrasse entièrement chargée.
15. Utiliser uniquement comme prévu.
16. Inspecter avant chaque utilisation ; ne pas utiliser si les pièces sont desserrées ou endommagées.

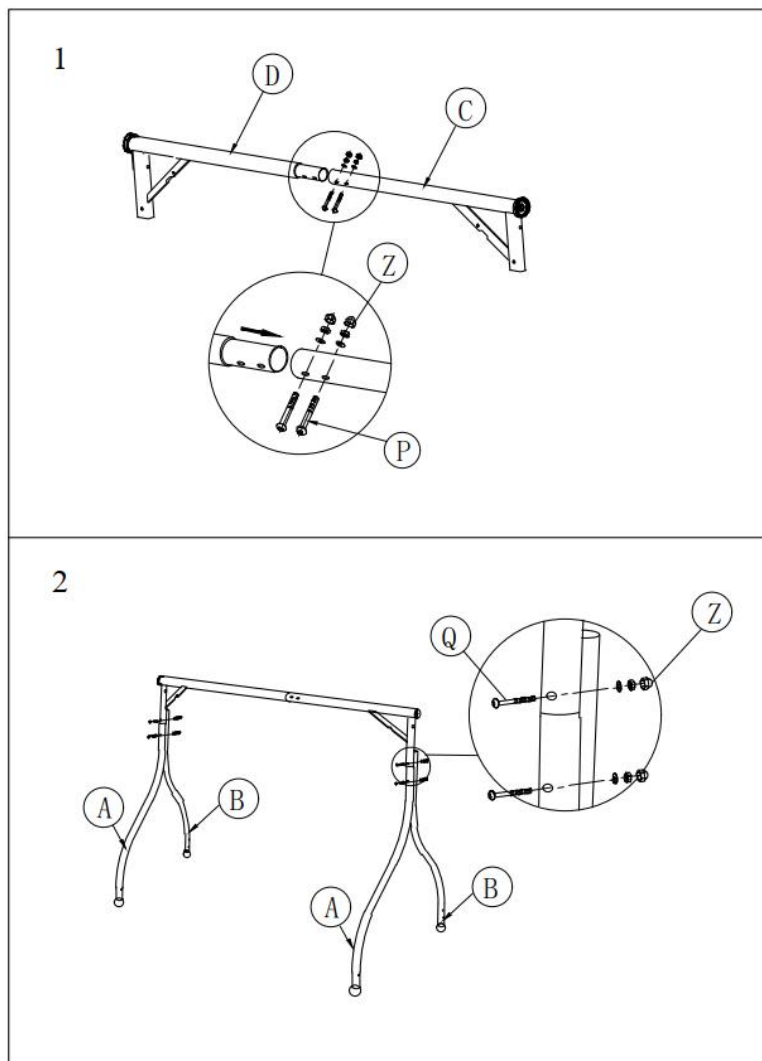
CONSERVEZ CES INSTRUCTIONS

PARTS LIST

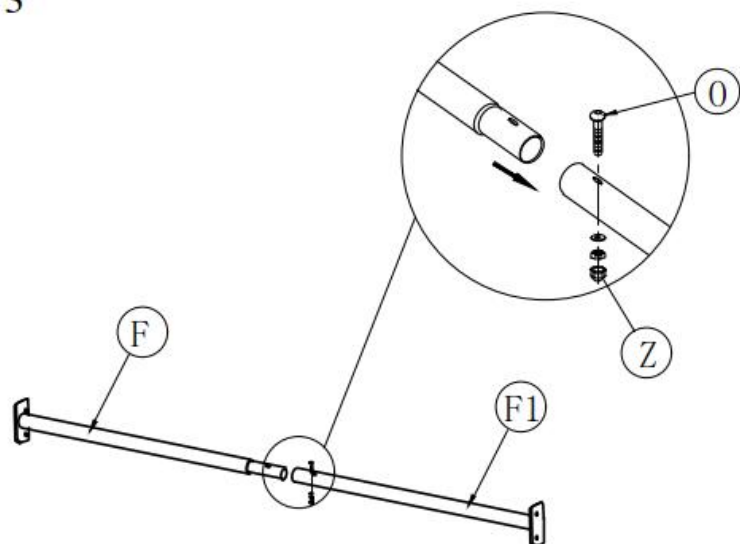
A	x2	B	x2	C	x1	D	x1		
				 F x1					
E	x2	E1	x4	F1	x1	G	x2		
H	x2	I	x1	I1	x1	J	x1	K	x2
M	x1	O	x1	P	x2	Q	x4		
		 M6 M6x60		 M8x45		 M8x70			
R	x6	R1	x2	S	x6	T	x2		
		 M6 x7		 M6 x1					
Y	x2	Z	M8 x12	AA	M8 x1	BB	x1		

 M8x40					
H2 x2	H1 x4	N x3	U x2		Y1 x2

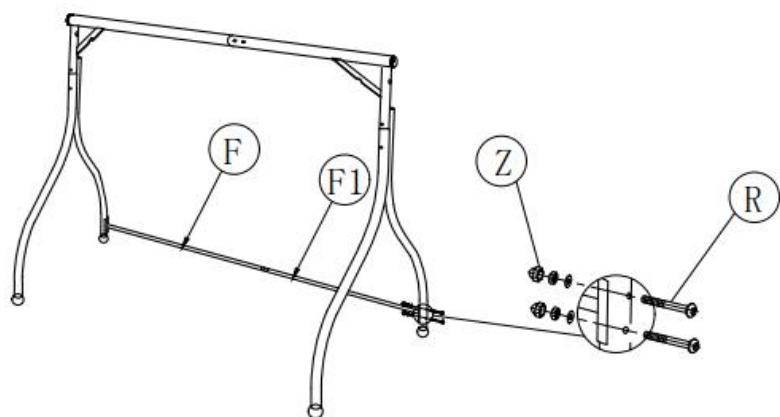
ASSEMBLY STEP



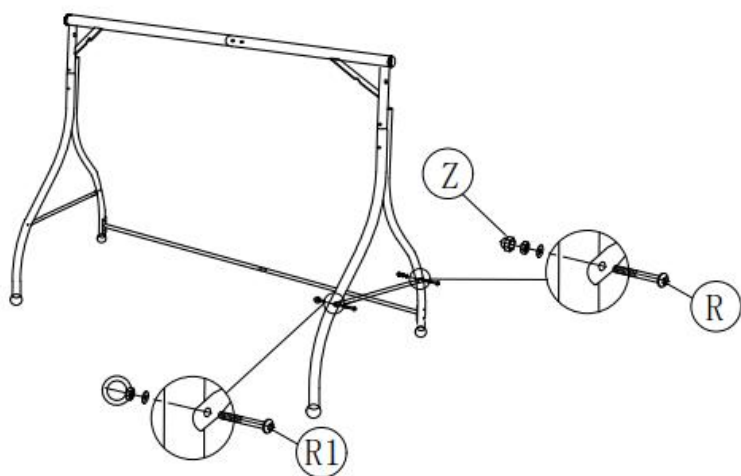
3



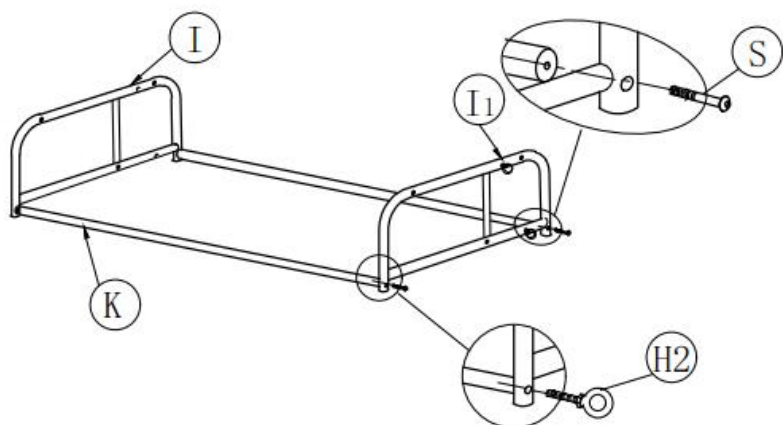
4



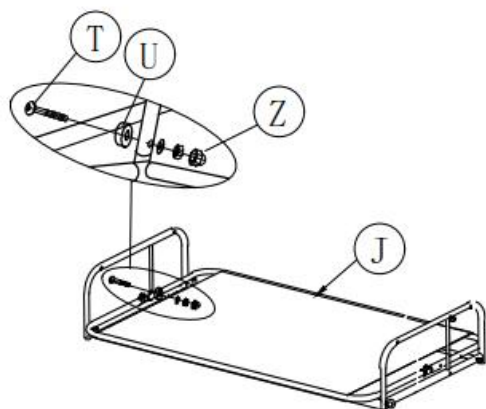
5



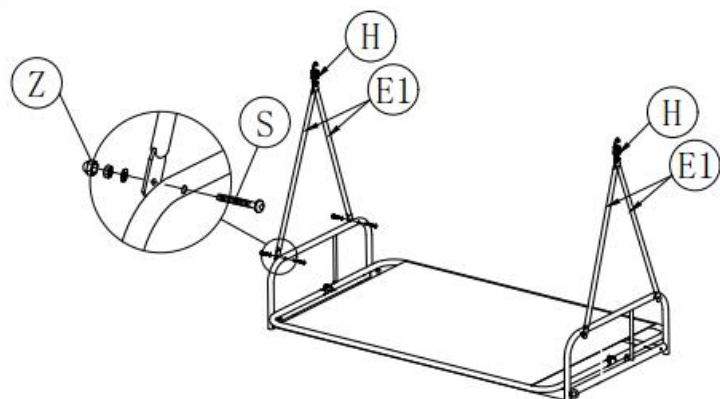
6



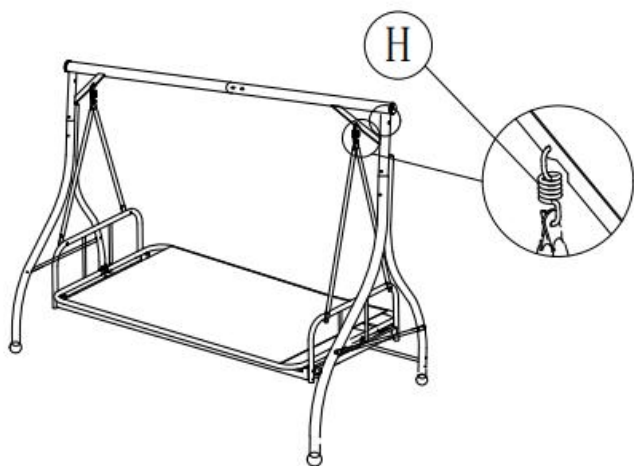
7



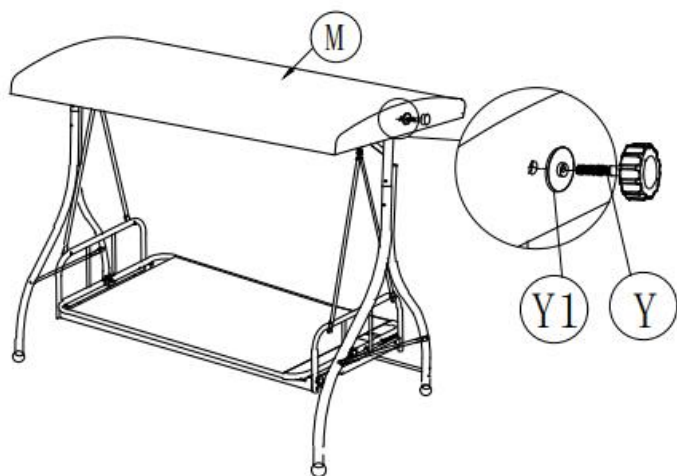
8



9



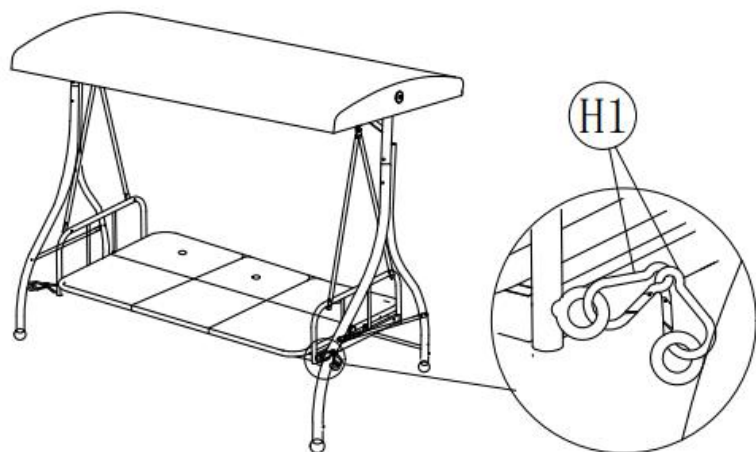
10



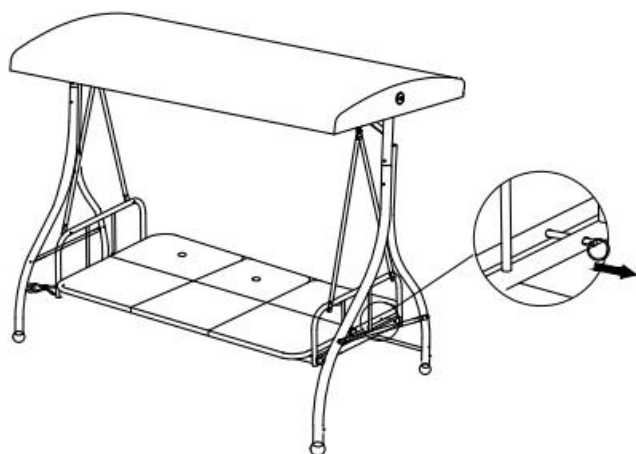
11



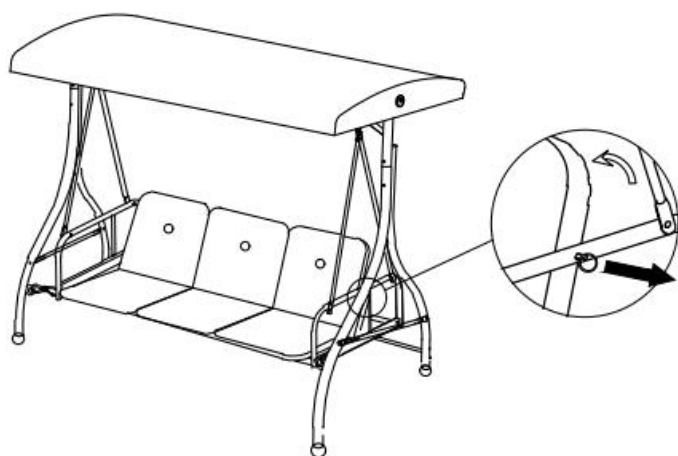
12



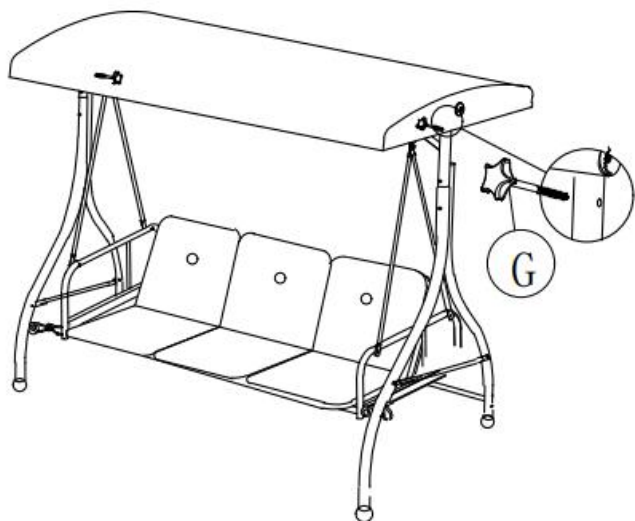
13



14



15



16



PRODUCT PARAMETER

spécification	76*47 pouces
Taille (mm)	1850*1170*1770
Couleur	SW127-13-W— Vin rouge
	SW127-13-B— Marron
Taper	Allongez-vous et asseyez-vous dans un
Matériau principal	Tissu en acier et oxford et tissu polyester
Porteur	≤ 750 livres

Adresse : Baoshanqu Shuangchenglu 803long 11hao 1602A-1609shi Shanghai
Importé en Australie : SIHAO PTY LTD. 1 ROKEVA STREETASTWOOD NSW
2122 Australie
Importé aux États-Unis : Sanven Technology Ltd. Bureau 250, 9166 Anaheim
Place, Rancho Cucamonga, CA 91730



SHUNSHUN GmbH
Römeräcker 9 Z2021,76351
Linkenheim-Hochstetten, Germany
euvertreter@gmail.com
+49 1727041930



Pooledas Group Ltd
Unit 5 Albert Edward House, The
Pavilions Preston, United Kingdom
pooledas123@gmail.com
01772418127

Fabriqué en Chine

VEVOR[®]

TOUGH TOOLS, HALF PRICE

Technique Assistance et certificat de garantie électronique

www.vevor.com/support

VEVOR[®]

TOUGH TOOLS, HALF PRICE

Technisch Ondersteuning en e-garantiecertificaat www.vevor.com/support

SCHOMMEL OP HET TERRAS

Zie HANDLEIDING

We continue to be committed to provide you tools with competitive price.

"Save Half", "Half Price" or any other similar expressions used by us only represents an estimate of savings you might benefit from buying certain tools with us compared to the major top brands and does not necessarily mean to cover all categories of tools offered by us. You are kindly reminded to verify carefully when you are placing an order with us if you are actually saving half in comparison with the top major brands.

VEVOR®

TOUGH TOOLS, HALF PRICE

PATIO SWING

MODELLEN: SW127-13-W , SW127-13-B



NEED HELP? CONTACT US!

Have product questions? Need technical support? Please feel free to contact us:

Technical Support and E-Warranty Certificate
www.vevor.com/support

This is the original instruction, please read all manual instructions carefully before operating. VEVOR reserves a clear interpretation of our user manual. The appearance of the product shall be subject to the product you received. Please forgive us that we won't inform you again if there are any technology or software updates on our product.

SAFETY INSTRUCTIONS

WAARSCHUWING:

Lees deze instructies zorgvuldig door voordat u dit product gebruikt. Als u dit niet doet, kan dit leiden tot ernstig letsel.

Voorzorgsmaatregelen voor montage

33. Monteer uitsluitend volgens deze instructies. Onjuiste montage kan tot gevaren leiden.
34. Draag tijdens de montage een ANSI-goedgekeurde veiligheidsbril en stevige werkhandschoenen.
35. Houd de verzamelplaats schoon en goed verlicht.
36. Houd omstanders tijdens de montage uit de buurt.
37. Niet monteren als u moe bent of onder invloed bent van alcohol, drugs of medicijnen.
38. De productmogelijkheden zijn alleen van toepassing op correct en volledig gemonteerde producten.
39. Monteer op een vlakke, vlakke, harde en gladde ondergrond die de schommel veilig kan ondersteunen.
40. Voor aanvullende informatie over de onderdelen die op de volgende pagina's worden vermeld, verwijzen wij u naar het montageschema van deze handleiding. Pak alle onderdelen uit en scheid ze van elkaar op een schone werkplek.






Gebruik voorzorgsmaatregelen

17. Overschrijd de gewichtscapaciteiten niet.
18. Gebruik het apparaat alleen op een vlakke, vlakke en harde ondergrond die een volledig beladen schommel veilig kan ondersteunen.
19. Alleen gebruiken zoals bedoeld.
20. Inspecteer vóór elk gebruik; niet gebruiken als onderdelen los of beschadigd zijn.

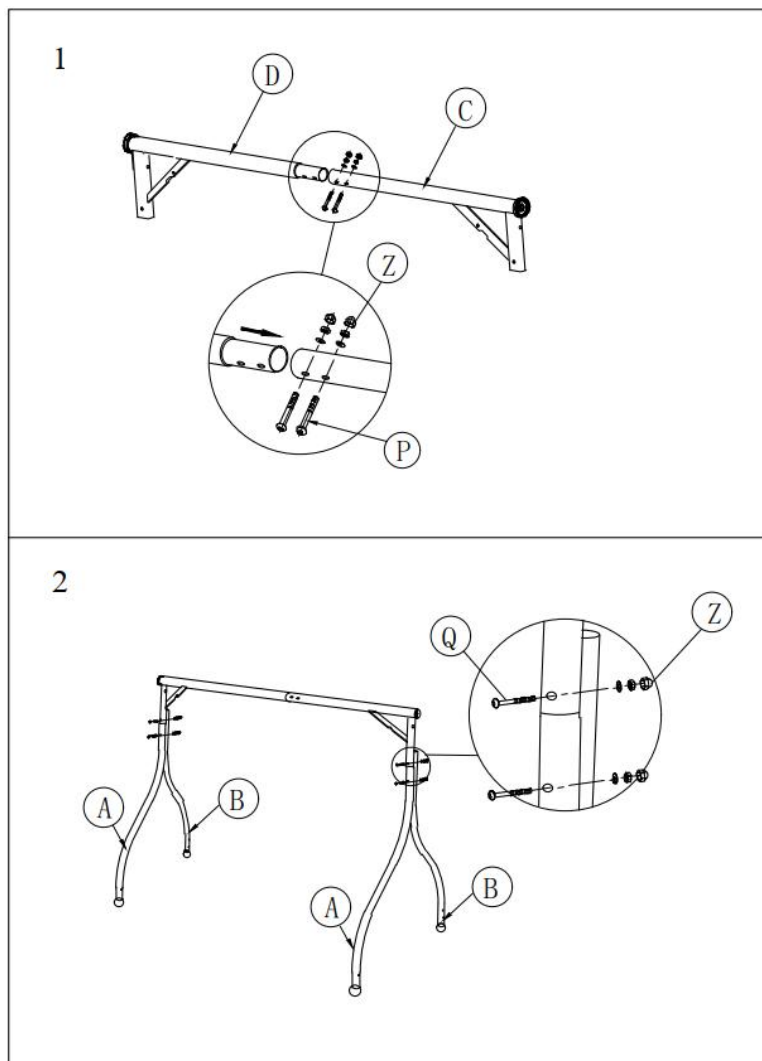
BEWAAR DEZE INSTRUCTIES

PARTS LIST

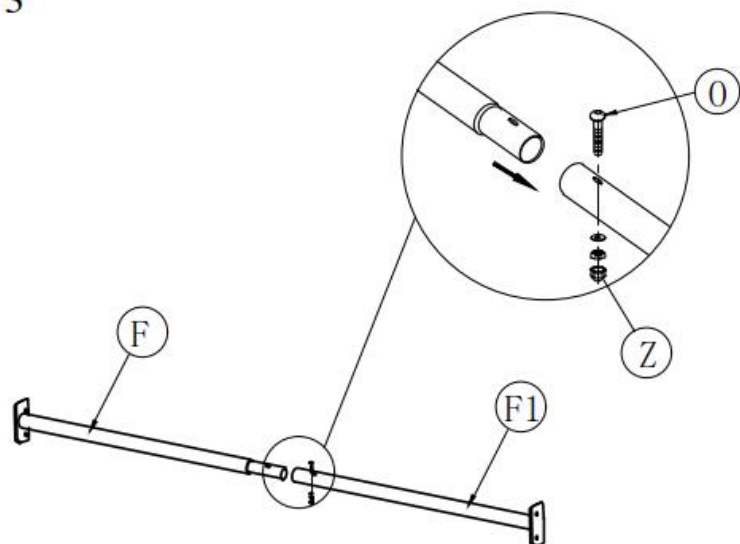
A	x2	B	x2	C	x1	D	x1				
				 F x1							
E	x2	E1	x4	F1	x1	G	x2				
H	x2	I	x1	I1	x1	J	x1	K	x2		
M	x1	O	x1	P	x2	Q	x4				
		 M6 M6x60		 M8x45 M8x4							
R	x6	R1	x2	S	x6	T	x2				
Y	x2	Z	M6	x7	M6	x1	AA	M8	x1	BB	x1

 M8x40					
H2 x2	H1 x4	N x3	U x2		Y1 x2

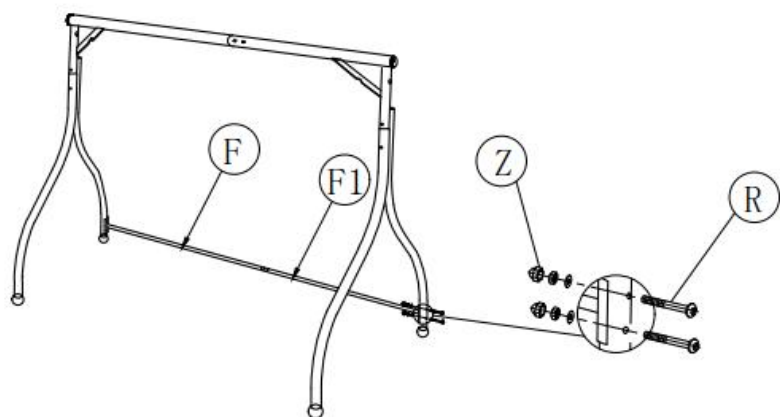
ASSEMBLY STEP



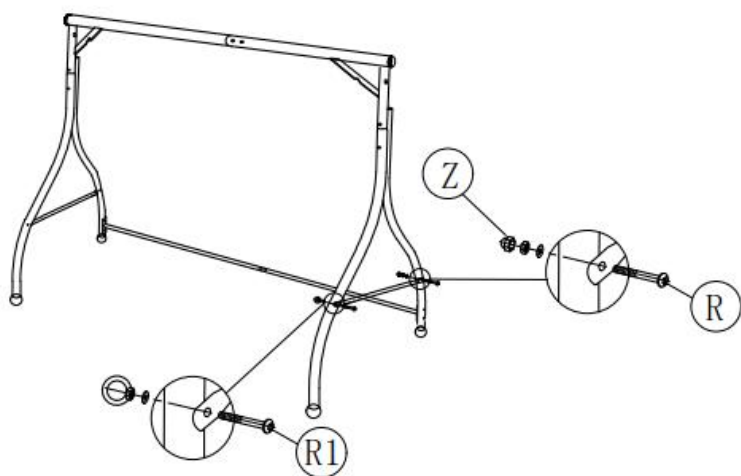
3



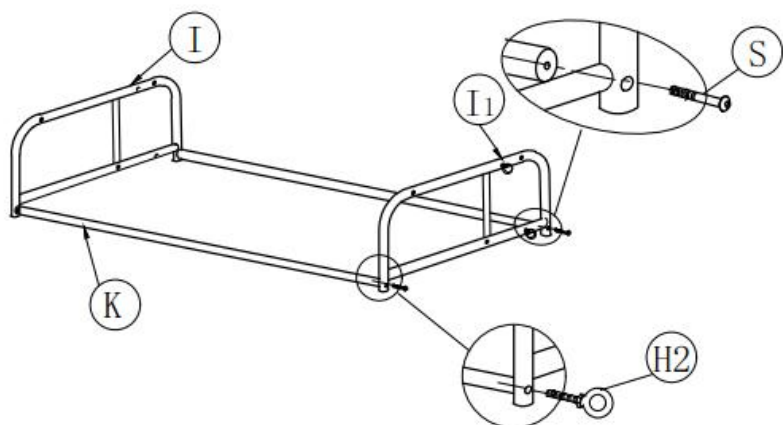
4



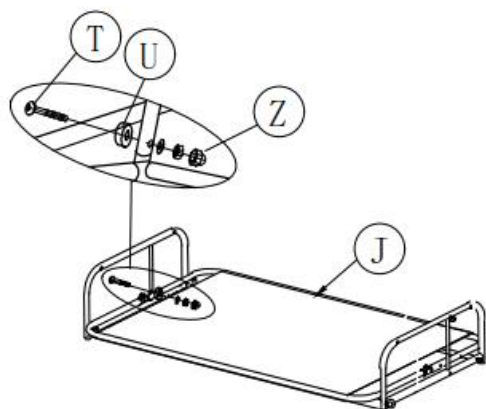
5



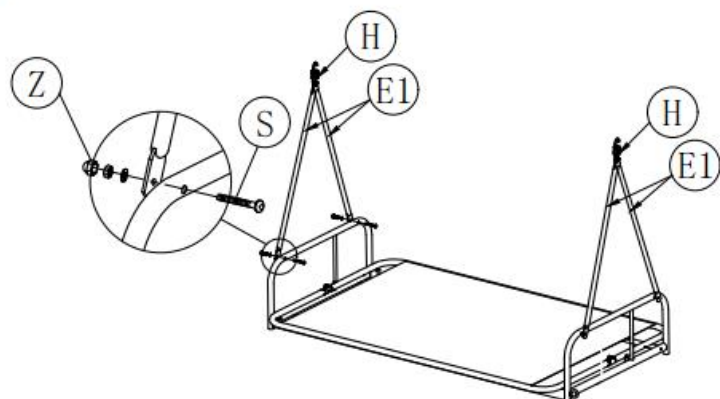
6



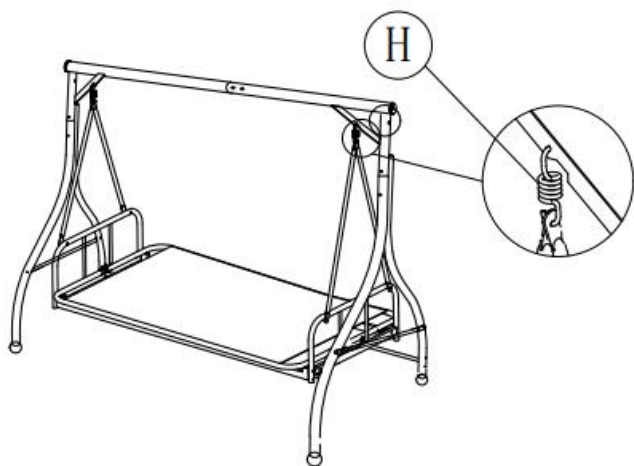
7



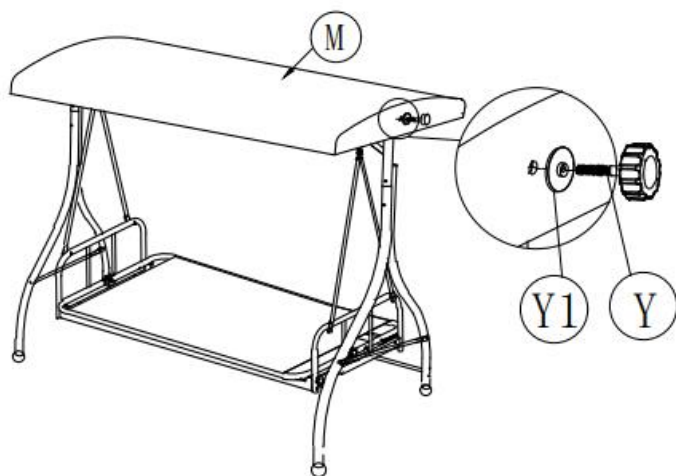
8



9



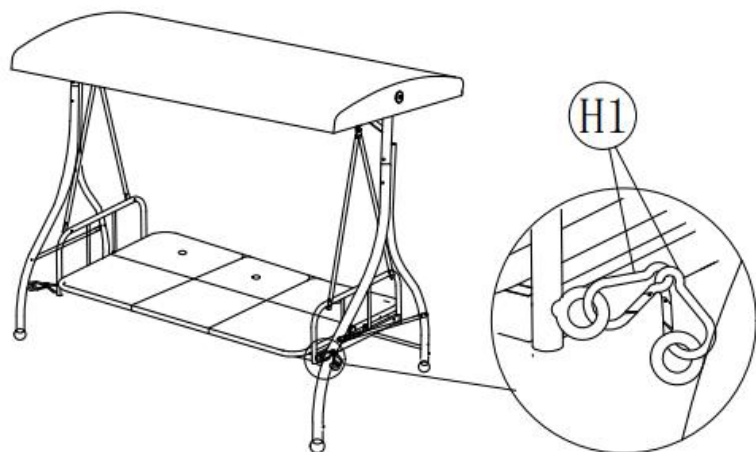
10



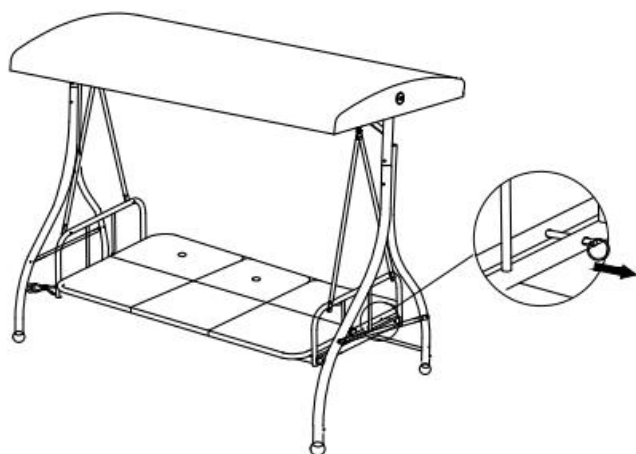
11



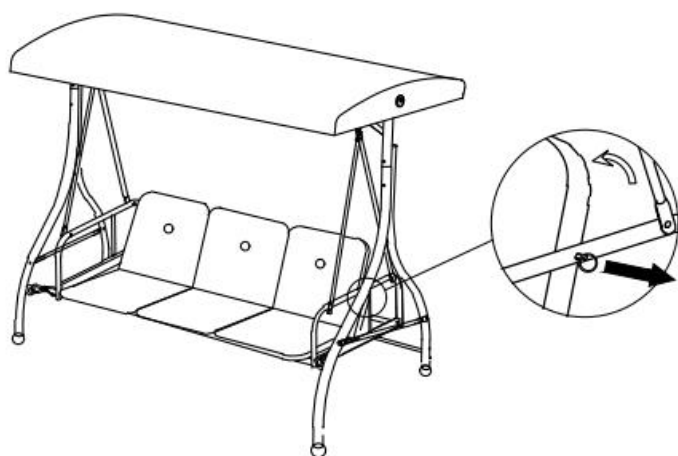
12



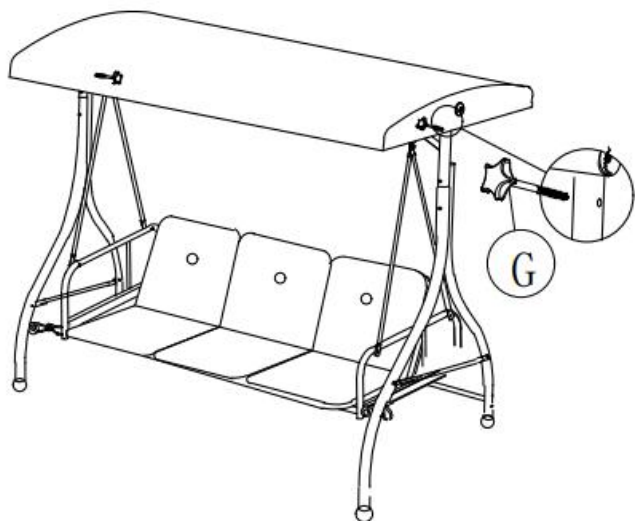
13



14



15



16



PRODUCT PARAMETER

Specificatie	76*47 inch
Grootte (mm)	1850*1170*1770
Kleur	SW127-13-W— Wijnrood
	SW127-13-B— Bruin
Type	Ga liggen en zitten in één
Hoofd materiaal	Staal en Oxford-stof en polyesterstof
Dragend	≤ 750 pond

Adres: Baoshanqu Shuangchenglu 803long 11hao 1602A-1609shi Shanghai
Geïmporteerd naar AUS: SIHAO PTY LTD. 1 ROKEVA STREETEASTWOOD
NSW 2122 Australië

Geïmporteerd naar de VS: Sanven Technology Ltd. Suite 250, 9166 Anaheim
Place, Rancho Cucamonga, CA 91730



SHUNSHUN GmbH
Römeräcker 9 Z2021,76351
Linkenheim-Hochstetten, Germany
euvertreter@gmail.com
+49 1727041930



Pooledas Group Ltd
Unit 5 Albert Edward House, The
Pavilions Preston, United Kingdom
pooledas123@gmail.com
01772418127

Gemaakt in China

VEVOR[®]

TOUGH TOOLS, HALF PRICE

Technisch Ondersteuning en e-garantiecertificaat

www.vevor.com/support

VEVOR®

TOUGH TOOLS, HALF PRICE

Teknisk Support och e-garanticertifikat www.vevor.com/support

UTEPLATS GUNGA

Användarmanual _

We continue to be committed to provide you tools with competitive price.

"Save Half", "Half Price" or any other similar expressions used by us only represents an estimate of savings you might benefit from buying certain tools with us compared to the major top brands and does not necessarily mean to cover all categories of tools offered by us. You are kindly reminded to verify carefully when you are placing an order with us if you are actually saving half in comparison with the top major brands.

VEVOR®

TOUGH TOOLS, HALF PRICE

PATIO SWING

MODELL: SW127-13-W ,SW127-13-B



NEED HELP? CONTACT US!

Have product questions? Need technical support? Please feel free to contact us:

Technical Support and E-Warranty Certificate
www.vevor.com/support

This is the original instruction, please read all manual instructions carefully before operating. VEVOR reserves a clear interpretation of our user manual. The appearance of the product shall be subject to the product you received. Please forgive us that we won't inform you again if there are any technology or software updates on our product.

SAFETY INSTRUCTIONS

VARNING:

Läs dessa instruktioner noggrant innan du använder denna produkt. Underlåtenhet att göra det kan resultera i allvarliga skador.

Försiktighetsåtgärder vid montering

























41. Monteringen ska endast ske enligt dessa instruktioner. Felaktig montering kan leda till faror.
42. Använd ANSI-godkända skyddsglasögon och kraftiga arbetshandskar vid montering.
43. Håll monteringsområdet rent och väl upplyst.
44. Håll åskådare borta från området under monteringen.
45. Sätt dig inte ihop när du är trött eller påverkad av alkohol, droger eller mediciner.
46. Produktegenskaperna gäller endast för korrekt och färdigmonterade produkter.
47. Montering på en plan, jämn, hård och slät yta som säkert kan stödja uteplatsgungan.
48. För ytterligare information om delarna som listas på följande sidor, se monteringsdiagrammet i denna manual. Packa upp och separera alla delar på ett rent arbetsområde.






Använd försiktighetsåtgärder

21. Överskrid inte viktkapaciteten.
22. Använd endast på en plan, jämn och hård yta som säkert kan stödja en fullastad uteplatsgunga.
23. Använd endast som avsett.
24. Inspektera före varje användning; Använd inte om delar är lösa eller skadade.

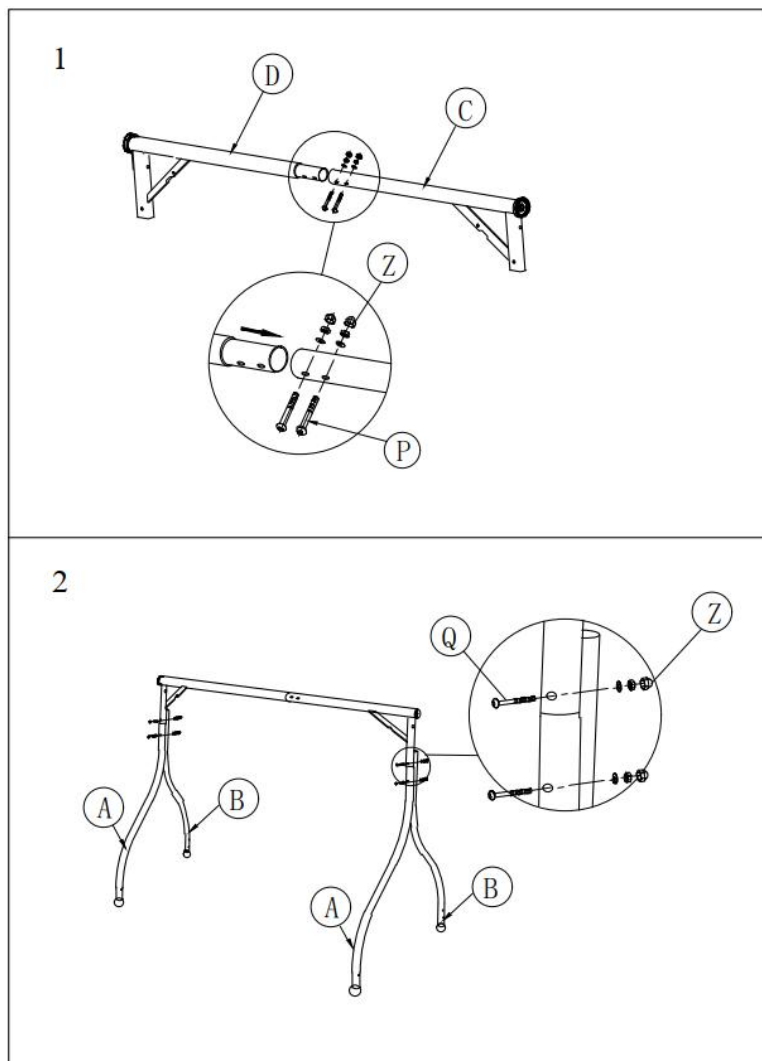
SPARA DESSA INSTRUKTIONER

PARTS LIST

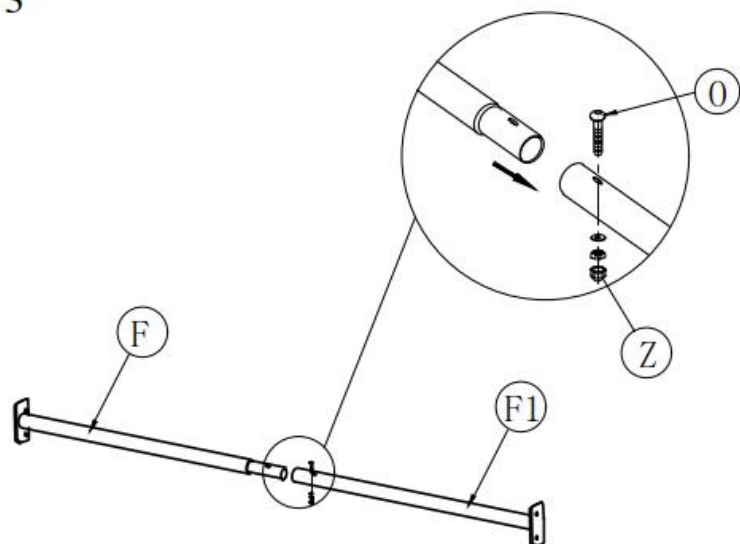
							
A	x2	B	x2	C	x1	D	x1
				 <div style="border: 1px solid black; padding: 2px; display: inline-block;">F x1</div>			
E	x2	E1	x4	F1	x1	G	x2
							
H	x2	I	x1	I1	x1	J	x1
		 M6x30		 M8x60		 M8x105	
M	x1	O	x1	P	x2	Q	x4
 M6x60		 M6 M6x60		 M8x45 M8x4		 M8x70	
R	x6	R1	x2	S	x6	T	x2
		 M6 x7					
Y	x2	Z	M8 x12	AA	M8 x1	BB	x1

 M8x40					
H2 x2	H1 x4	N x3	U x2		Y1 x2

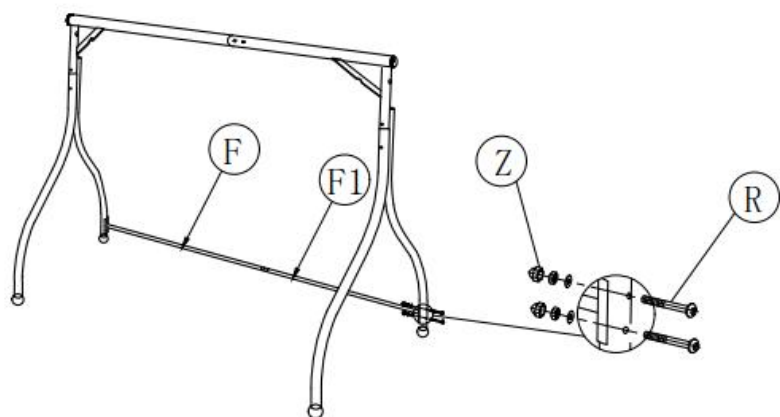
ASSEMBLY STEP



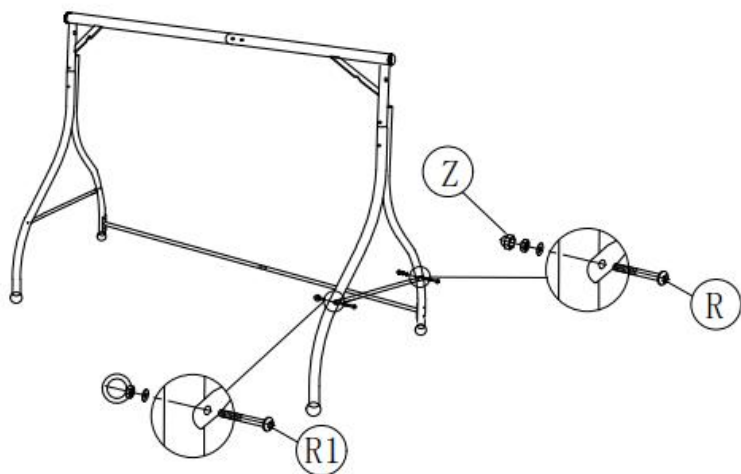
3



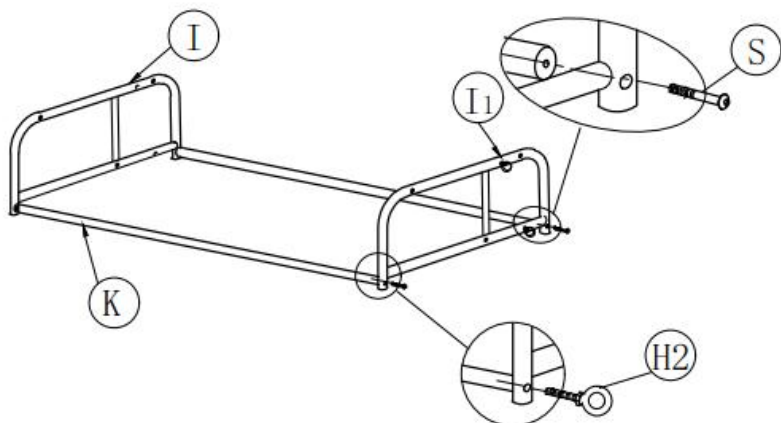
4



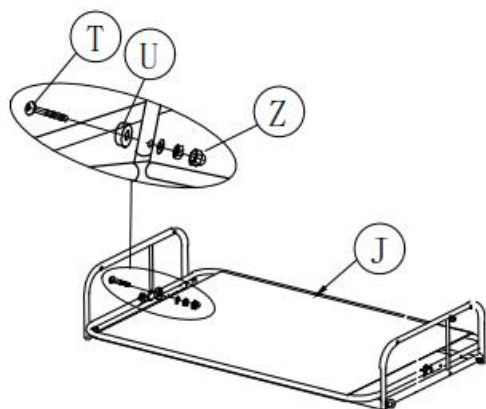
5



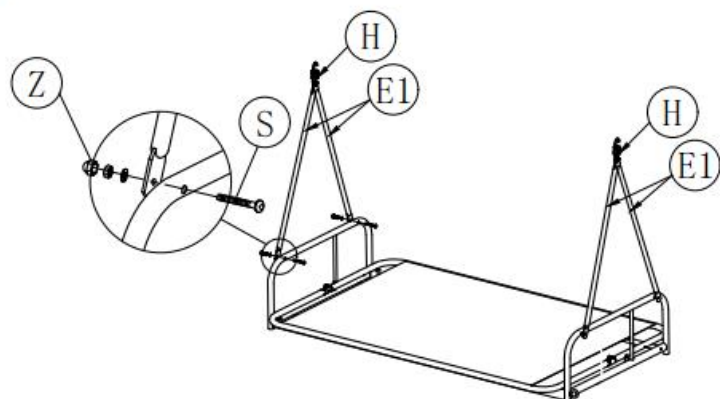
6



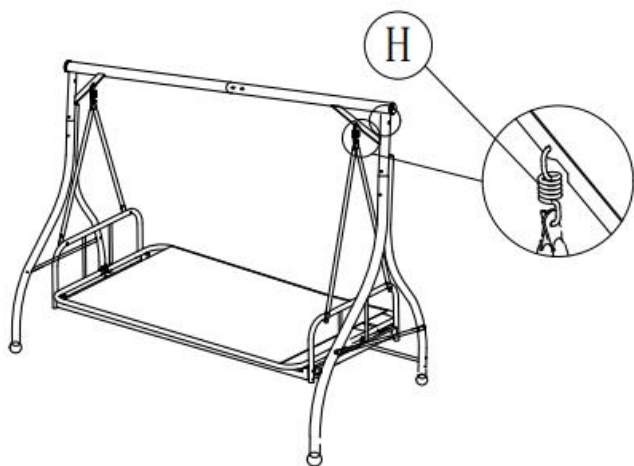
7



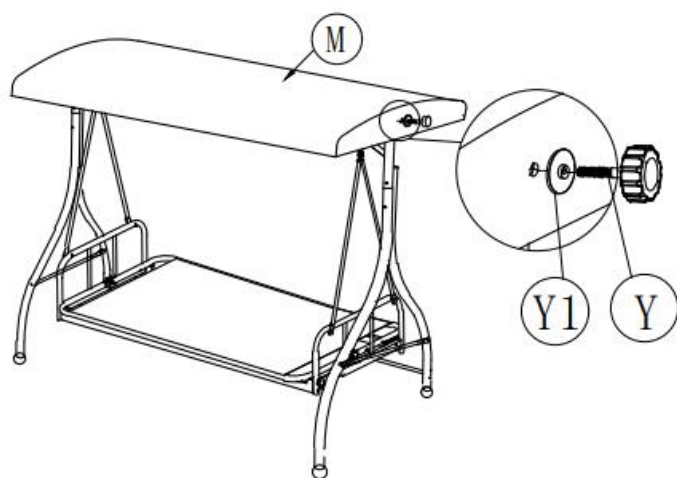
8



9



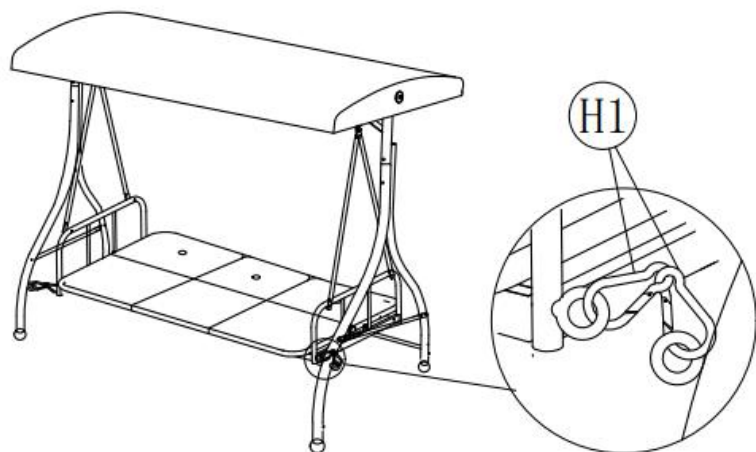
10



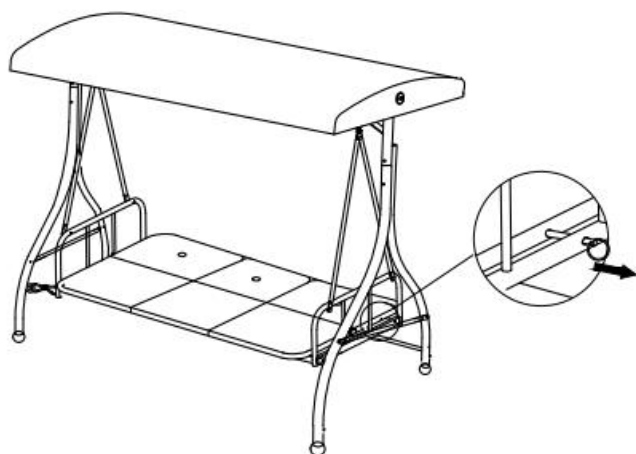
11



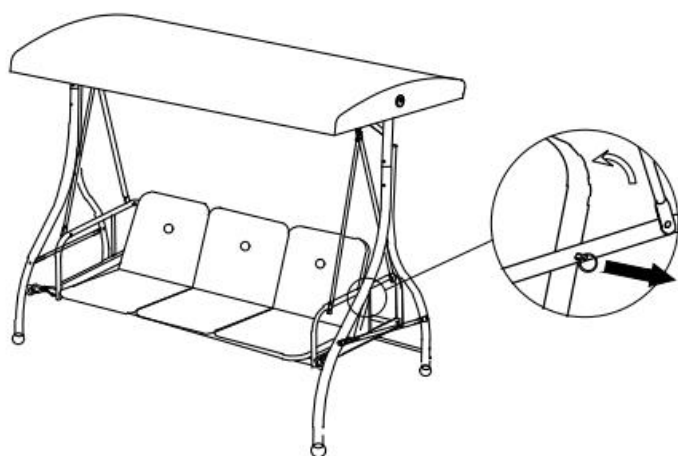
12



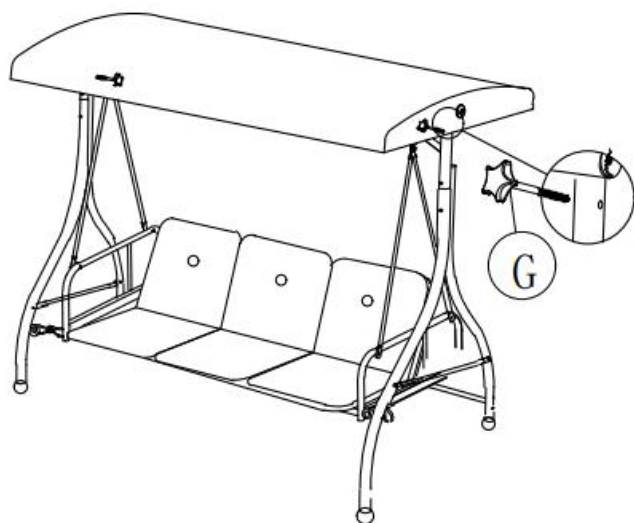
13



14



15



16



PRODUCT PARAMETER

Specifikation	76*47 tum
Storlek (mm)	1850*1170*1770
Färg	SW127-13-W—Wine ed
	SW127-13-B—Brun
Typ	Lägg dig ner och sitt i ett
Huvudmaterial	Stål & oxford tyg & polyestertyg
Bärande	≤ 750 lbs

Adress: Baoshanqu Shuangchenglu 803long 11hao 1602A-1609shi Shanghai
Importerad till AUS: SIHAO PTY LTD. 1 ROKEVA STREETEASTWOOD NSW
2122 Australien

Importerad till USA: Sanven Technology Ltd. Suite 250, 9166 Anaheim Place,
Rancho Cucamonga, CA 91730



SHUNSHUN GmbH
Römeräcker 9 Z2021,76351
Linkenheim-Hochstetten, Germany
euvertreter@gmail.com
+49 1727041930



Pooledas Group Ltd
Unit 5 Albert Edward House, The
Pavilions Preston, United Kingdom
pooledas123@gmail.com
01772418127

Tillverkad i Kina

VEVOR[®]

TOUGH TOOLS, HALF PRICE

Teknisk Support och e-garanticertifikat

www.vevor.com/support

VEVOR[®]

TOUGH TOOLS, HALF PRICE

Técnico Soporte y certificado de garantía electrónica www.vevor.com/support

COLUMPIO PARA PATIO

MANUAL DE usuario

We continue to be committed to provide you tools with competitive price.

"Save Half", "Half Price" or any other similar expressions used by us only represents an estimate of savings you might benefit from buying certain tools with us compared to the major top brands and does not necessarily mean to cover all categories of tools offered by us. You are kindly reminded to verify carefully when you are placing an order with us if you are actually saving half in comparison with the top major brands.

VEVOR®

TOUGH TOOLS, HALF PRICE

PATIO SWING

MODELO: SW127-13-W , SW127-13-B



NEED HELP? CONTACT US!

Have product questions? Need technical support? Please feel free to contact us:

Technical Support and E-Warranty Certificate
www.vevor.com/support

This is the original instruction, please read all manual instructions carefully before operating. VEVOR reserves a clear interpretation of our user manual. The appearance of the product shall be subject to the product you received. Please forgive us that we won't inform you again if there are any technology or software updates on our product.

SAFETY INSTRUCTIONS

ADVERTENCIA:

Lea atentamente estas instrucciones antes de utilizar este producto. De lo contrario, se pueden producir lesiones graves.

Precauciones de montaje

49. El montaje únicamente debe realizarse de acuerdo con estas instrucciones. Un montaje inadecuado puede provocar peligros.
50. Use gafas de seguridad aprobadas por ANSI y guantes de trabajo resistentes durante el montaje.
51. Mantenga el área de reunión limpia y bien iluminada.
52. Mantenga a los transeúntes fuera del área durante el montaje.
53. No se reúna cuando esté cansado o bajo la influencia de alcohol, drogas o medicamentos.
54. Las capacidades del producto se aplican únicamente a productos ensamblados de manera adecuada y completa.
55. Montaje sobre una superficie plana, nivelada, dura y lisa capaz de soportar de forma segura el columpio de patio.
56. Para obtener información adicional sobre las piezas enumeradas en las siguientes páginas, consulte el diagrama de montaje de este manual. Desenvuelva y separe todas las piezas en un área de trabajo limpia.






Use precauciones

25. No exceda las capacidades de peso.
26. Úselo únicamente sobre una superficie plana, nivelada y dura capaz de soportar de manera segura un columpio de patio completamente cargado.
27. Úselo únicamente según lo previsto.
28. Inspeccionar antes de cada uso; no lo utilice si las piezas están sueltas o dañadas.

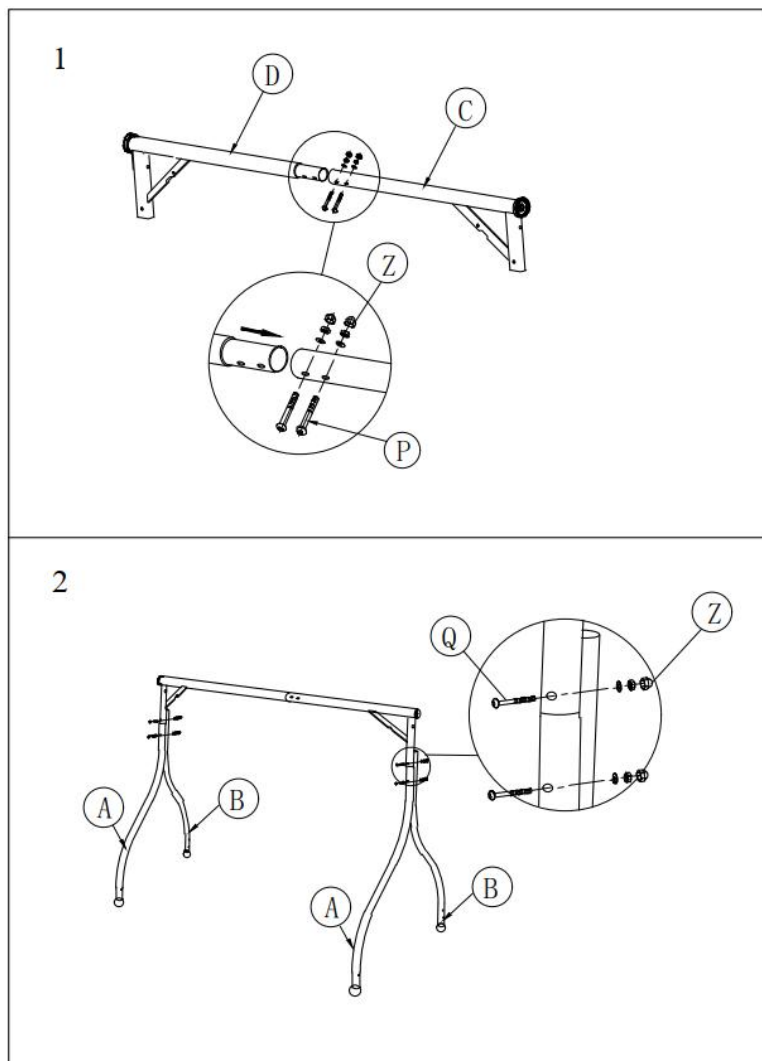
GUARDA ESTAS INSTRUCCIONES

PARTS LIST

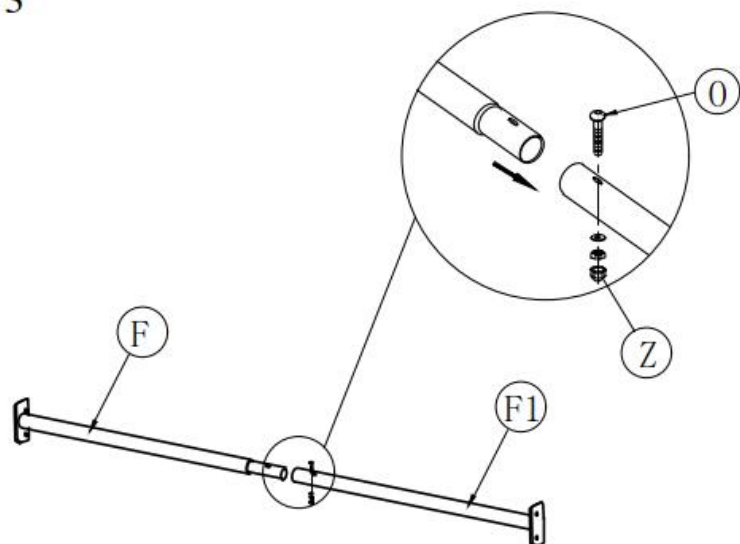
A	x2	B	x2	C	x1	D	x1				
				 F x1							
E	x2	E1	x4	F1	x1	G	x2				
H	x2	I	x1	I1	x1	J	x1	K	x2		
M	x1	O	x1	P	x2	Q	x4				
		 M6 M6x60		 M8x45		 M8x70					
R	x6	R1	x2	S	x6	 M8x4					
Y	x2	Z	M6	x7	M6	x1	AA	M8	x1	BB	x1
			Z	M8	x12						

 M8x40					
H2 x2	H1 x4	N x3	U x2		Y1 x2

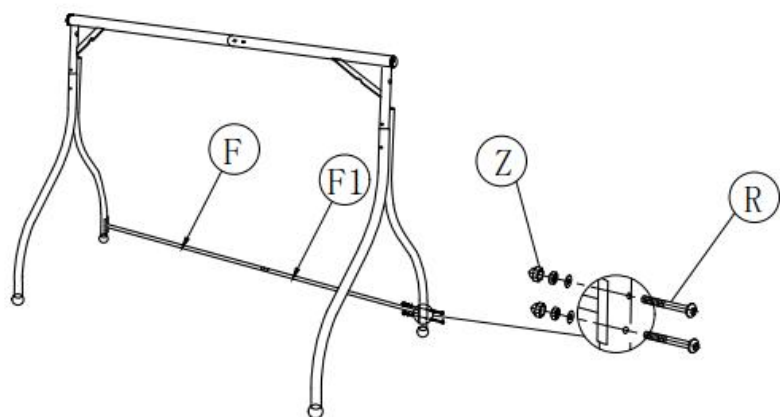
ASSEMBLY STEP



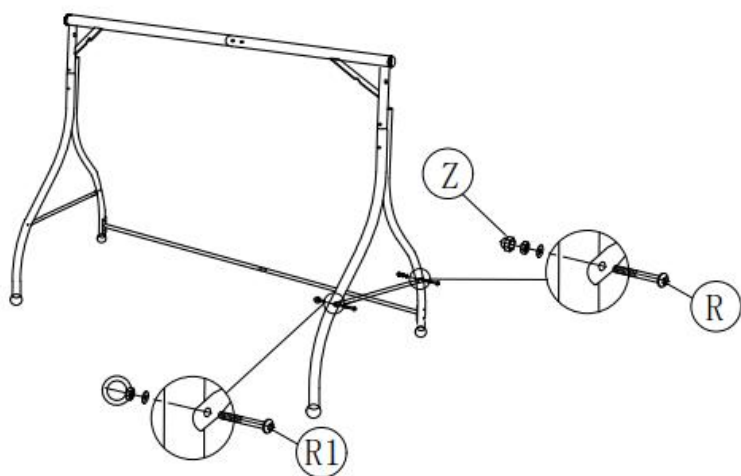
3



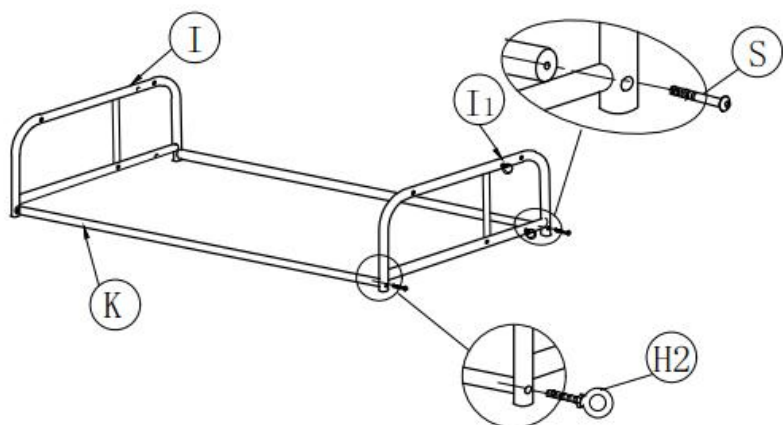
4



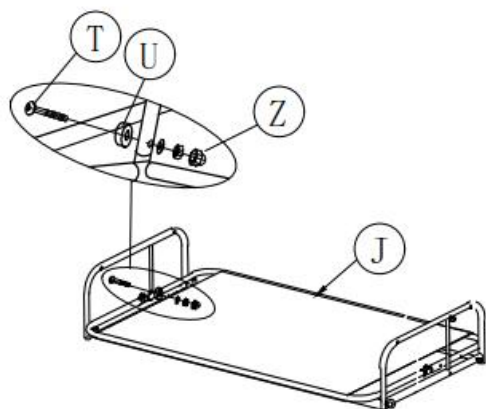
5



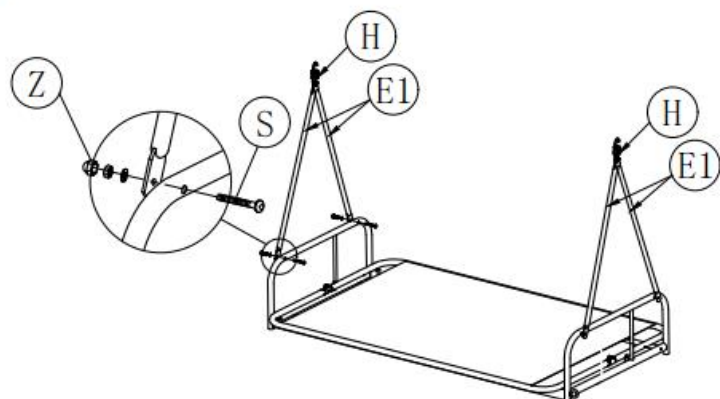
6



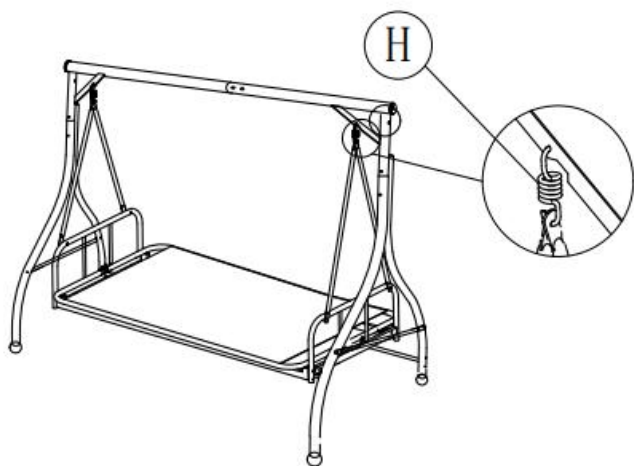
7



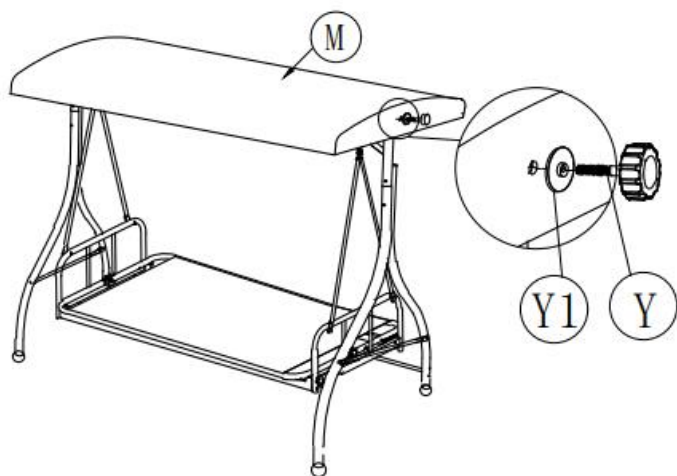
8



9



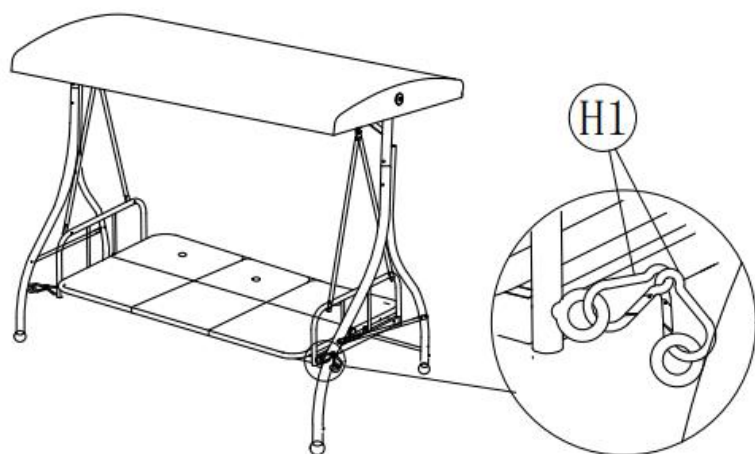
10



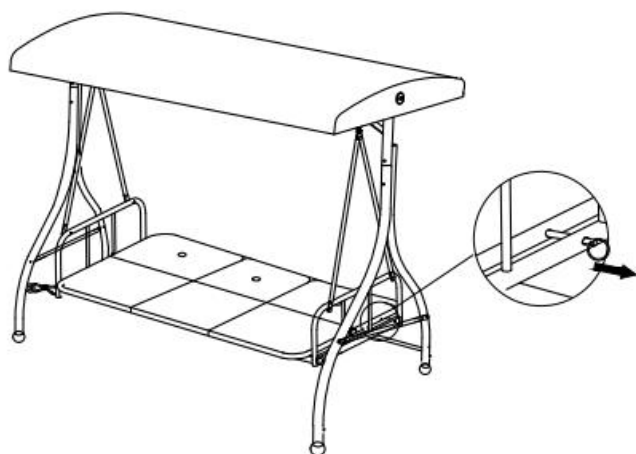
11



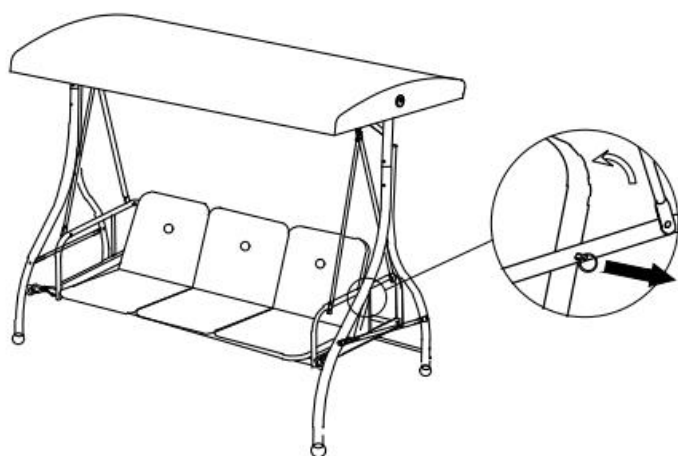
12



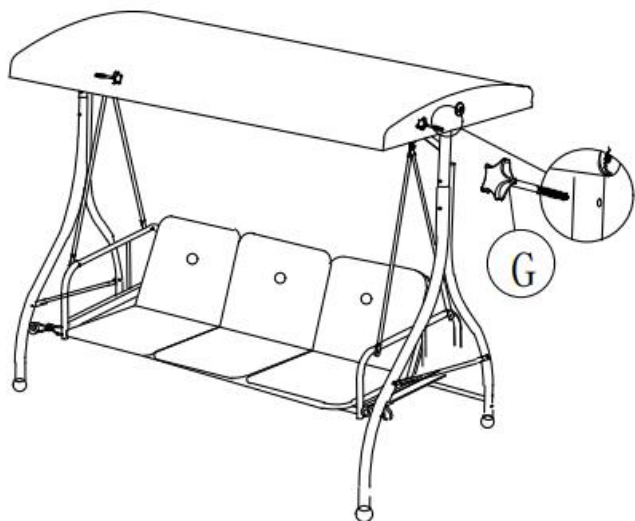
13



14



15



16



PRODUCT PARAMETER

Especificación	76*47 pulgadas
Tamaño (mm)	1850*1170*1770
Color	SW127-13-W—Edición de vino
	SW127-13-B—Marrón
Tipo	Acuéstate y siéntate en uno
Material principal	Tela de acero y Oxford y tela de poliéster.
Cargar los portes	≤ 750 libras

Dirección: Baoshanqu Shuangchenglu 803long 11hao 1602A-1609shi Shanghai
Importado a AUS: SIHAO PTY LTD. 1 ROKEVA STREET ASTWOOD NSW 2122
Australia

Importado a EE. UU.: Sanven Technology Ltd. Suite 250, 9166 Anaheim Place,
Rancho Cucamonga, CA 91730



SHUNSHUN GmbH
Römeräcker 9 Z2021,76351
Linkenheim-Hochstetten, Germany
euvertreter@gmail.com
+49 1727041930



Pooledas Group Ltd
Unit 5 Albert Edward House, The
Pavilions Preston, United Kingdom
pooledas123@gmail.com
01772418127

Hecho en china

VEVOR[®]

TOUGH TOOLS, HALF PRICE

Técnico Certificado de soporte y garantía electrónica

www.vevor.com/support

VEVOR®

TOUGH TOOLS, HALF PRICE

Tecnico Supporto e certificato di garanzia elettronica www.vevor.com/support

ALTALENA DA PATIO

MANUALE D' uso

We continue to be committed to provide you tools with competitive price.

"Save Half", "Half Price" or any other similar expressions used by us only represents an estimate of savings you might benefit from buying certain tools with us compared to the major top brands and does not necessarily mean to cover all categories of tools offered by us. You are kindly reminded to verify carefully when you are placing an order with us if you are actually saving half in comparison with the top major brands.

VEVOR®

TOUGH TOOLS, HALF PRICE

PATIO SWING

MODELLO: SW127-13-W , SW127-13-B



NEED HELP? CONTACT US!

Have product questions? Need technical support? Please feel free to contact us:

Technical Support and E-Warranty Certificate
www.vevor.com/support

This is the original instruction, please read all manual instructions carefully before operating. VEVOR reserves a clear interpretation of our user manual. The appearance of the product shall be subject to the product you received. Please forgive us that we won't inform you again if there are any technology or software updates on our product.

SAFETY INSTRUCTIONS

AVVERTIMENTO:

Leggere attentamente queste istruzioni prima di utilizzare questo prodotto. In caso contrario si potrebbero causare lesioni gravi.

Precauzioni per il montaggio







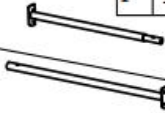








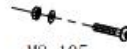


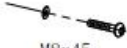
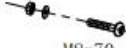




57. Solo il montaggio deve avvenire secondo queste istruzioni. Un montaggio improprio può causare pericoli.
58. Indossare occhiali di sicurezza approvati ANSI e guanti da lavoro pesanti durante il montaggio.
59. Mantenere l'area di assemblaggio pulita e ben illuminata.
60. Tenere gli astanti lontani dall'area durante il montaggio.
61. Non montare in caso di stanchezza o sotto l'effetto di alcol, droghe o farmaci.
62. Le funzionalità del prodotto si applicano solo ai prodotti correttamente e completamente assemblati.
63. Montaggio su una superficie piana, livellata, dura e liscia in grado di sostenere in sicurezza l'altalena.
64. Per ulteriori informazioni riguardanti le parti elencate nelle pagine seguenti, fare riferimento allo Schema di Montaggio di questo manuale. Scartare e separare tutte le parti in un'area di lavoro pulita.






Usare precauzioni

29. Non superare le capacità di peso.
30. Utilizzare solo su una superficie piana, livellata e dura in grado di sostenere in sicurezza un'altalena da patio completamente carica.
31. Utilizzare solo come previsto.
32. Ispezionare prima di ogni utilizzo; non utilizzare se le parti sono allentate o danneggiate.

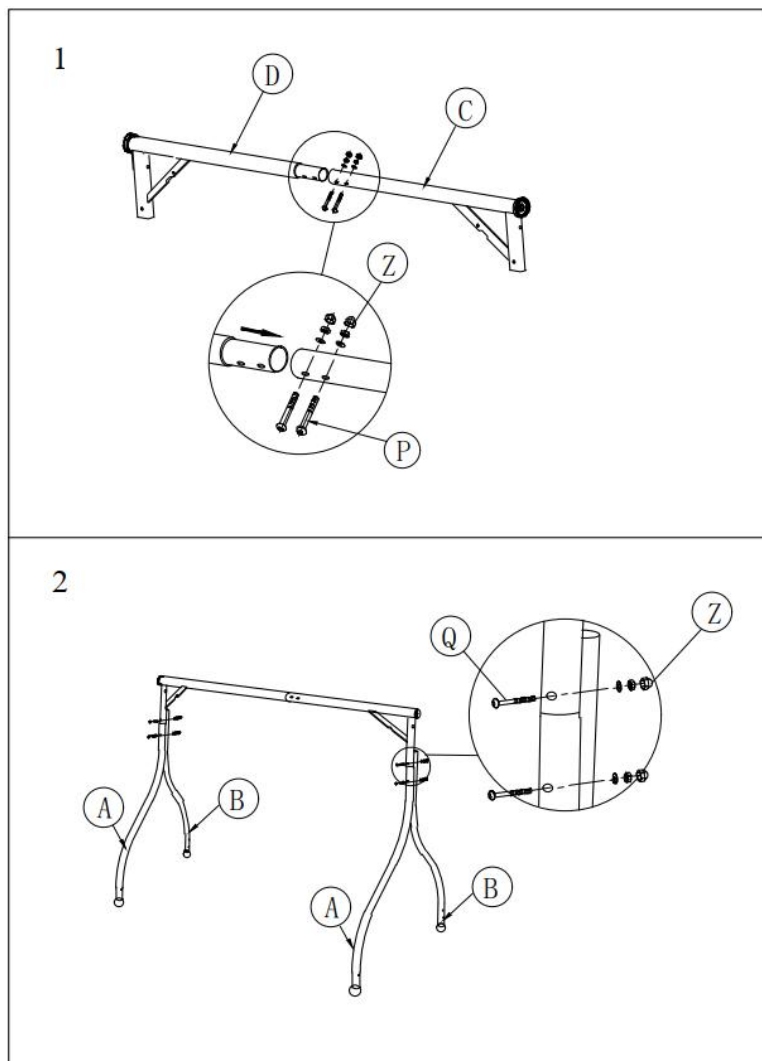
CONSERVARE QUESTE ISTRUZIONI

PARTS LIST

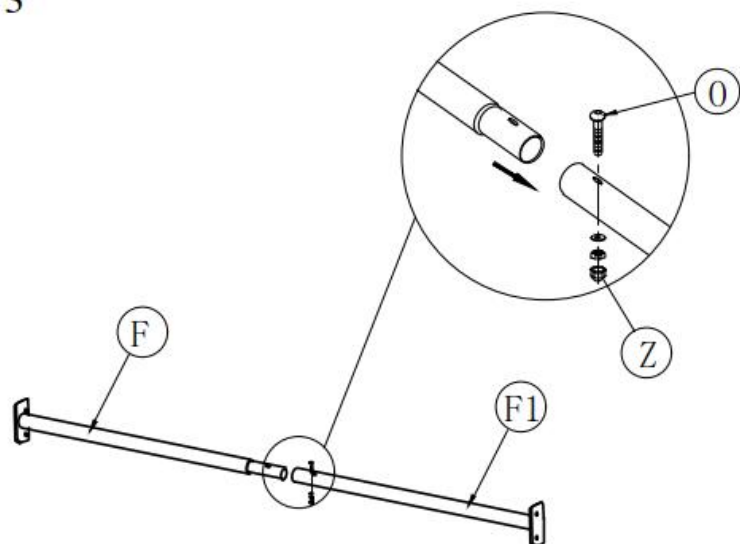
							
A	x2	B	x2	C	x1	D	x1
				 <div style="border: 1px solid black; padding: 2px; display: inline-block;">F x1</div>			
E	x2	E1	x4	F1	x1	G	x2
							
H	x2	I	x1	I1	x1	J	x1
		 M6x30		 M8x60		 M8x105	
M	x1	O	x1	P	x2	Q	x4
 M6x60		 M6 M6x60		 M8x45 <div style="border: 1px solid black; padding: 2px; display: inline-block;">M8x4</div>		 M8x70	
R	x6	R1	x2	S	x6	T	x2
		 <div style="border: 1px solid black; padding: 2px; display: inline-block;">M6 x7</div>		 <div style="border: 1px solid black; padding: 2px; display: inline-block;">M6 x1</div>			
Y	x2	Z	M8 x12	AA	M8 x1	BB	x1

 M8x40					
H2 x2	H1 x4	N x3	U x2		Y1 x2

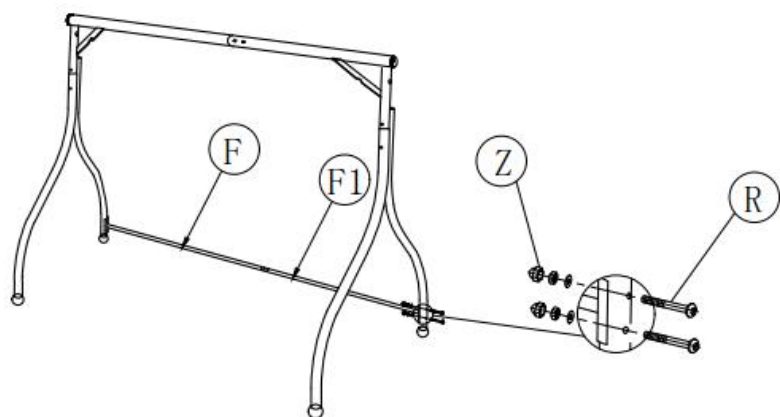
ASSEMBLY STEP



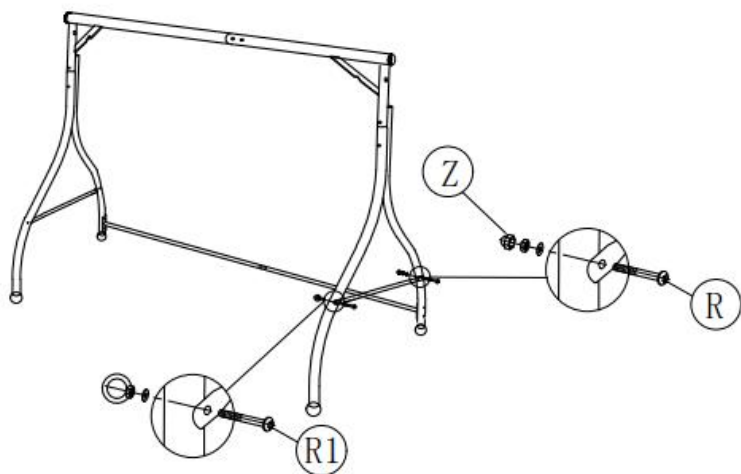
3



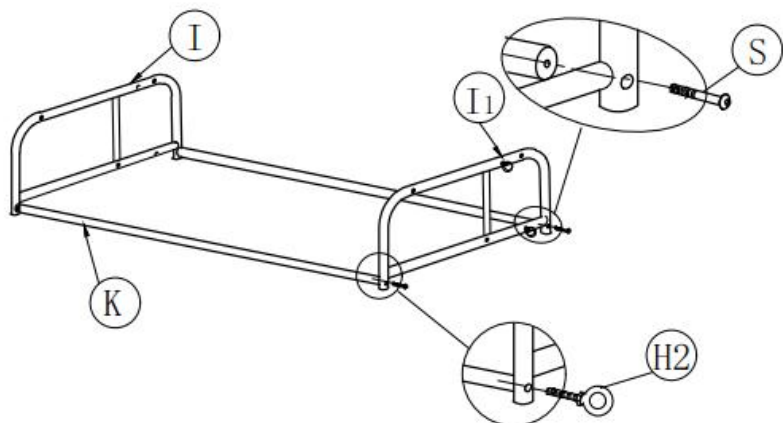
4



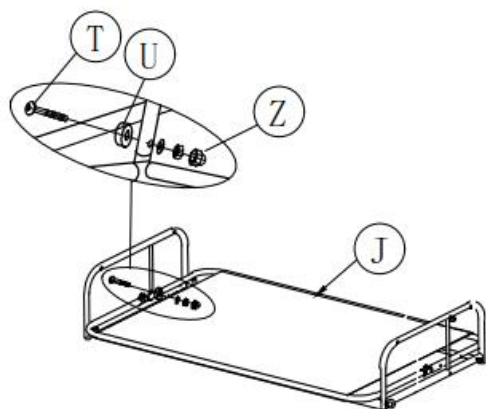
5



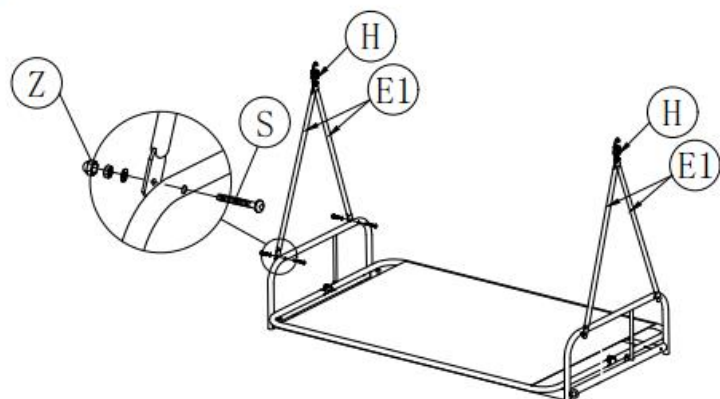
6



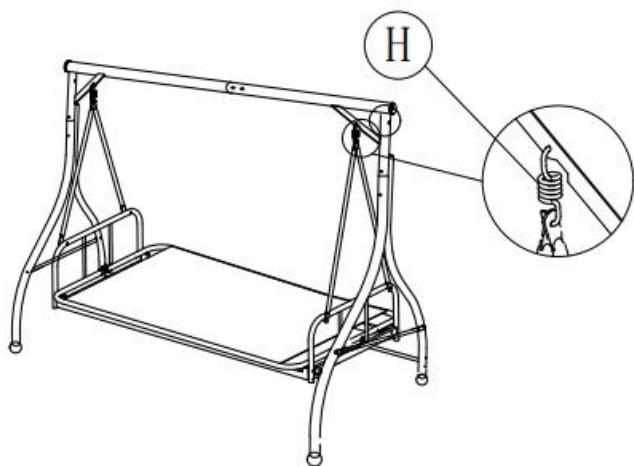
7



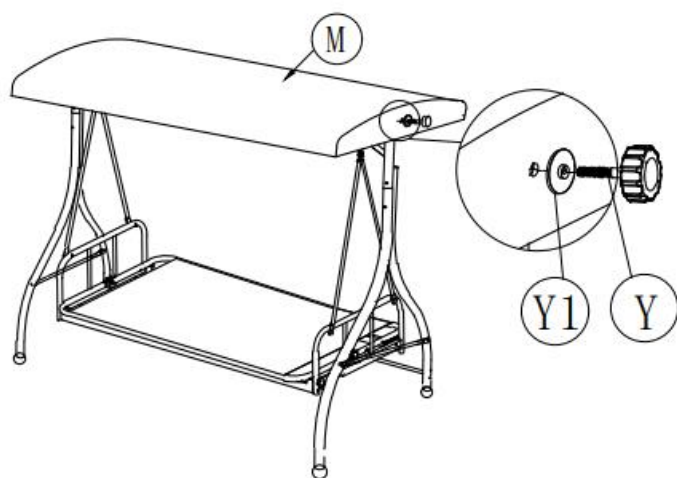
8



9



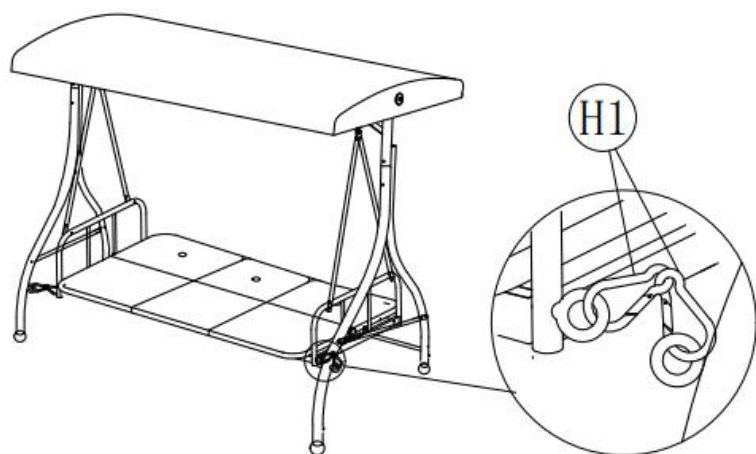
10



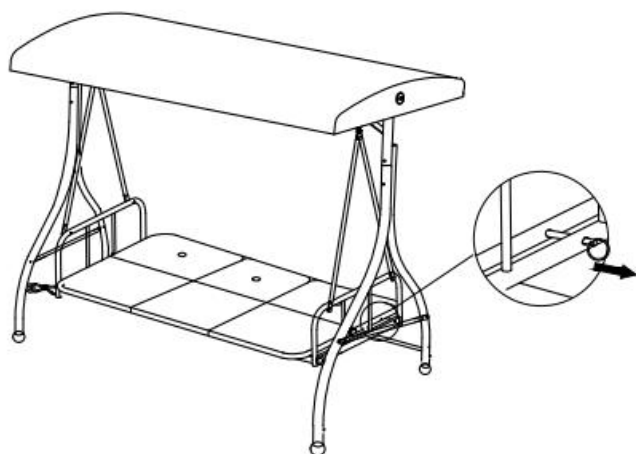
11



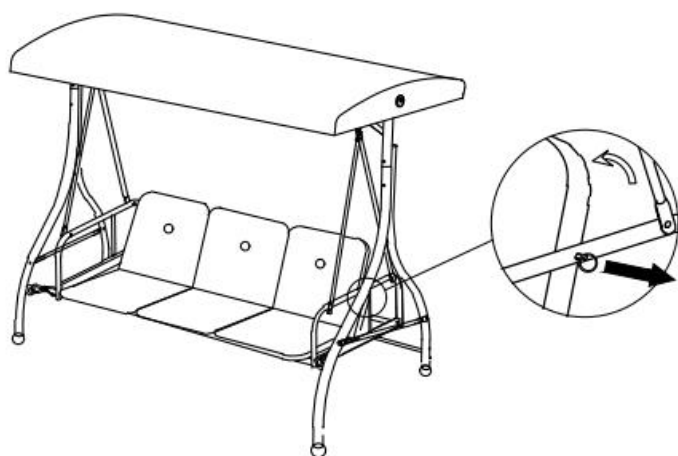
12



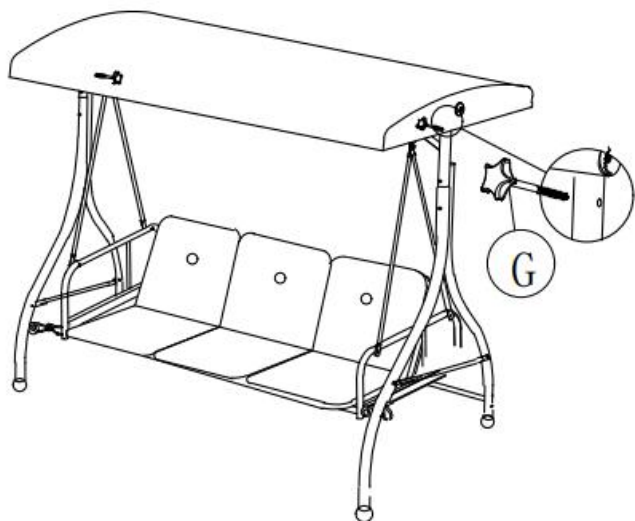
13



14



15



16



PRODUCT PARAMETER

Specifica	76*47 pollici
Dimensioni (mm)	1850*1170*1770
Colore	SW127-13-W—Vino ed
	SW127-13-B: Marrone
Tipo	Sdraiati e sediti in uno
Materiale principale	Acciaio, tessuto oxford e tessuto in poliestere
Portante	≤ 750 libbre

Indirizzo: Baoshanqu Shuangchenglu 803long 11hao 1602A-1609shi Shanghai
Importato in AUS: SIHAO PTY LTD. 1 ROKEVA STREETEASTWOOD NSW 2122
Australia

Importato negli Stati Uniti: Sanven Technology Ltd. Suite 250, 9166 Anaheim
Place, Rancho Cucamonga, CA 91730



SHUNSHUN GmbH
Römeräcker 9 Z2021,76351
Linkenheim-Hochstetten, Germany
euvertreter@gmail.com
+49 1727041930



Pooledas Group Ltd
Unit 5 Albert Edward House, The
Pavilions Preston, United Kingdom
pooledas123@gmail.com
01772418127

Made in China

VEVOR[®]

TOUGH TOOLS, HALF PRICE

Tecnico Supporto e certificato di garanzia elettronica

www.vevor.com/support