



# ANDERIC

## *Full Instructions Guide for the Anderic RR7079T, RR7078TR, RR7078TUDL, and RR7080T ceiling fan remote controls.*



### Compatibility

All models operate on 303.835 (304MHz) frequency with the FCC ID number: CHQ7078T, CHQ7080T1

The Anderic RR7079T remote control is compatible with any 3-speed fan that has the UC7067FMRX or FAN-28R receivers installed.

The Anderic RR7078TR remote control is compatible with many 3-speed fans that have one of the following receivers installed: UC7067FMRX with a UC7067REVB reversing module, or a similar reversing model, FAN-28R with a reversing module, FAN2R, UC7058RY, or UC7051R.

The Anderic RR7078TUDL remote control is compatible with any 3-speed fan that has the UC7067GMRX, FAN28R-UD receiver installed.

**ANDERIC® | [www.anderic.com](http://www.anderic.com) | Scan QR code for Help Center**  
**All product names and trademarks are property of their respective owners.**



# ANDERIC

The Anderic RR7080T remote control is compatible with any 3-Speed fan that has the UC7067GMRX receiver installed. For the "REV" (reverse) key to function, your fan must also be equipped with a Reversing module, such as the UC7067-REV-B, or a receiver with the reversing option built in, such as the UC7058GM or UC7051G.

## Button Functions

- **LIGHT** - Press the light button to toggle the fan's lights on or off. Press and hold the light button to cycle through the dimming levels. Release when your desired brightness is reached.
- **UP LIGHT** - (only applicable with the RR7078TUDL and RR7080T): Press to toggle the upper lights on and off, and holding the button controls dimming (requires compatible receiver and bulbs).
- **DOWN LIGHT** (only applicable with the RR7078TUDL and RR7080T) - Press to turn the lower fan light ON/OFF, and holding the button controls dimming (requires compatible receiver and bulbs)
- **LO/LOW** - Press to turn the fan oscillation speed to low
- **MED** - Press to turn the fan oscillation speed to medium
- **HI/HIGH** - Press to turn the fan oscillation speed to high
- **FAN OFF** - Press to turn the fan oscillation off
- **REV** - (only applicable with the RR7078TR and RR7080T) - Press to reverse the fan oscillation direction (requires compatible receiver)

## Removing the Battery Cover and Installing Battery

Slide the battery door off by pressing it in and down toward the bottom of the remote to remove the cover from the battery compartment.

Install one **9-Volt battery** by aligning the battery terminals with the corresponding prongs on the battery connector [2], ensuring the polarity matches.

**Important:** Before fully inserting the battery into the compartment, complete the **DIP switch pairing steps** below. Once the battery is installed, the **DIP-switch panel [1] will no longer be accessible**.

After the DIP switches are set, position the battery so it fits completely inside the battery compartment.



ANDERIC® | [www.anderic.com](http://www.anderic.com) | Scan QR code for Help Center  
All product names and trademarks are property of their respective owners.



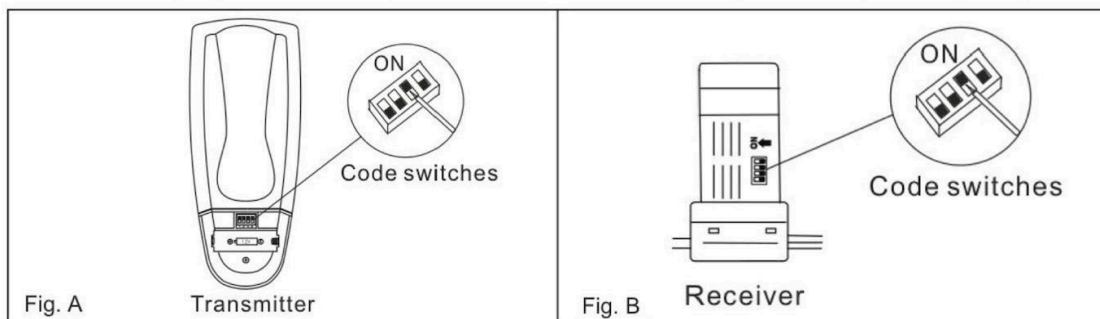
# ANDERIC

## Installation & Pairing Setup

NOTE: Before you begin, please ensure that your fan and wall switch are powered OFF by the fuse box.

1. **Remove the Battery Cover:** Press down and slide the battery cover off the remote control
2. **Set the DIP Switch Code:** Locate the DIP switch panel inside the remote control and set the switches to your desired pattern. (Fig. A below)
3. **Match the Receiver Code:** Adjust the DIP switches on the receiver so they match the exact pattern of the switches on the remote control. (Fig. B below)
4. **Install the Battery:** Connect one 9V battery to the battery compartment, ensuring the polarity matches, and place it inside.
5. **Replace the Battery Cover:** Reinstall the battery cover on the remote control.

Please note: The images provided (below) for the remote and receiver may not exactly match your specific model.



## Installing the wall mount (Remote Control Holder)

6. **Choose a Location:** Select a convenient area on the wall where you would like to store the remote control.
7. **Mark the Mounting Holes:** Hold the wall mount in the desired position and use a pencil to mark the two mounting holes on the wall.
8. **Install the Wall Mount:** If needed, install wall anchors (not included) at the marked locations. Align the wall mount with the holes, then insert the two screws through the wall mount and tighten them into the anchors or wall to secure the mount in place.

## Troubleshooting

If the wall control or ceiling fan does not operate as expected, review the following steps:



# ANDERIC

## 1. Fan or Light Does Not Turn On

- Verify that the circuit breaker or wall power switch supplying the fan is turned **ON**.

## 2. Fan Does Not Respond to Wall Control

- Check that the **dip switch settings on the remote control match those on the receiver**.
- Turn the power **OFF**, adjust the DIP switches, then restore power.

## 3. Fan Speeds Do Not Work Correctly

- Verify that the receiver installed in the fan is **compatible** with this wall control.
- Confirm the wiring connections between the receiver and the fan are properly installed.

## 4. Light Does Not Turn On or Dim Properly

- Ensure the light kit is properly connected to the receiver.
- Some **LED bulbs may not support dimming**. If dimming does not function correctly, try using a compatible dimmable bulb. Must use dimming Incandescent or dimming LED bulbs.

## 5. Intermittent Operation

- Turn power **OFF**, recheck all wiring connections, and ensure wire nuts are securely fastened.
- Verify that the receiver and wall control dip switch patterns match exactly.

## Warning / Safety Notice

### ⚠ Electrical Safety Warning

- **Turn off the power at the circuit breaker** before installing or servicing this wall control.
- Improper installation may result in **electric shock, fire, or damage to the fan or electrical system**.
- This wall control must be installed in accordance with **local electrical codes and regulations**.

If you are unsure about any part of the installation, or if the product does not operate correctly after installation, **stop installation immediately and contact a licensed or certified electrician** for assistance.

ANDERIC® is not responsible for damage or injury resulting from improper installation or misuse of this product.



# ANDERIC

**ANDERIC® | [www.anderic.com](http://www.anderic.com) | Scan QR code for Help Center**  
**All product names and trademarks are property of their respective owners.**