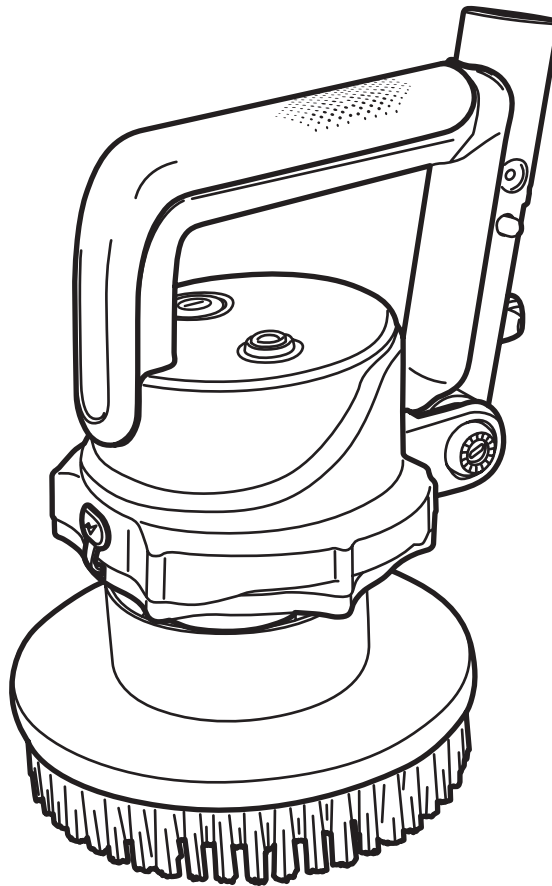


Electric Pool Scrubber

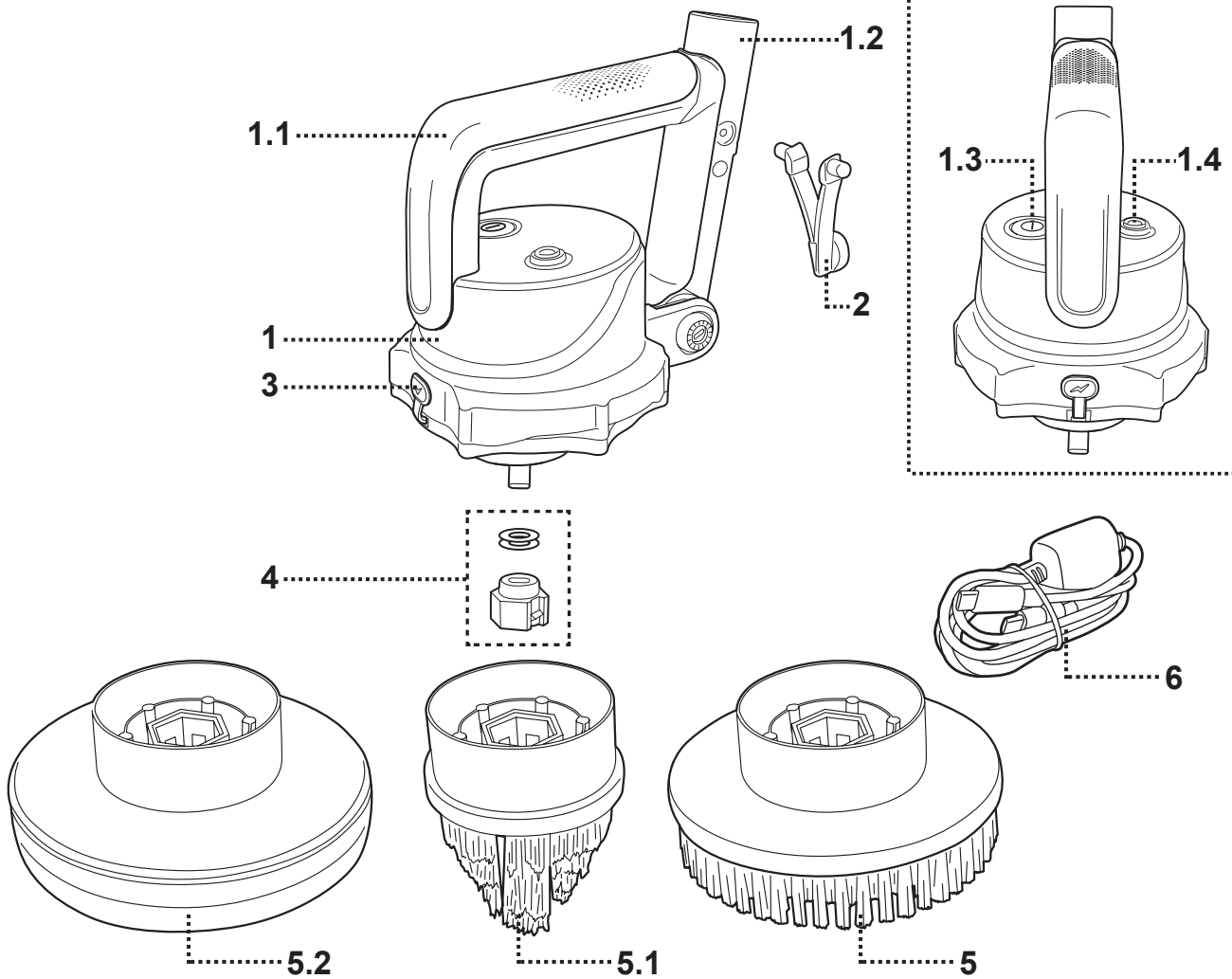
xtrobrush 100

USER MANUAL



KOKIDO

PARTS DIAGRAM



		Replacement Parts Number
1	Main unit	EB001ASM01
1.1	Handle	-----
1.2	Pole connector (for EU & US only)	-----
1.3	Press button (Power ON/OFF switch)	-----
1.4	Indicator light	-----
2	V-clip	K023-07
3	Protective cap (for charging port)	EB001-01-006
4	Washer & brush connector	EB001ASM02
5	Standard brush	EB001-04-002
5.1	Corner brush	EB001-04-003
5.2	Magic foam	EB001-04-004
6	USB Type-C to Type-C charging cable	EB001-05-005

Remark: Depending on the model you own, accessories/ parts shown in this manual are not necessarily included in every model.

Product/parts in photos/drawings may vary with the model purchased. Check the spare parts drawing to understand the parts included in your model purchased.

SAFETY WARNINGS & INSTRUCTIONS

Information contained in this Instruction Manual will help you operate the item safely, protect yourself and others from hazards, and prevent damage to the device and other property.

SAVE THESE INSTRUCTIONS

WARNING!

- Read all the instructions before using the appliance.
- This appliance is NOT a toy. Never allow children to operate, clean, maintain or play with this appliance.
- To reduce the risk of injury, close supervision is required when the appliance is used near children.
- Do not touch the brush while brush is spinning.
- Keep hair, loose clothing, fingers, and body parts away from moving parts.
- This appliance is not intended for use by persons with reduced physical, sensory, mental capabilities, or a lack of experience and knowledge, unless they are given supervision or instructions concerning the safe use of the appliance and understand the hazards involved by a person responsible for their safety.
- To recharge the battery, only use a fully safety-approved and certified USB charger (not included) with an output of 5.0VDC and 2.0A. Use only a limited power source (LPS) or Class 2 type USB charger certificated by North American standards for the US and Canada markets, whereas a certified USB charger (with Regulatory Compliance Mark (RCM) or an approval number on it) must be used in Australia and New Zealand. It must only be supplied at safety extra low voltage corresponding to the marking on the appliance.
- Connect the external adaptor only to power source through a residential current device (RCD) or a ground fault circuit interrupter (GFCI). If in doubt, consult a qualified electrician.
- Maximum operating depth in water is 3 meters (9.8 ft).

- Maximum water and ambient temperature: 5°C (41°F) – 42°C (107.6°F).
- Disconnect the appliance from the supply mains before carrying out any maintenance or cleaning.
- Ensure the appliance is completely powered off and unplugged before replacing brush heads or accessories.
- DO NOT use this appliance if any damage is detected or when there are people / pets in the water.
- This appliance contains batteries that are only replaceable by skilled persons.
- The battery must be removed from the appliance before it is scrapped.
- Battery must be disposed of safely in accordance with local laws and regulations. Refer to the section “BATTERY DISPOSAL” in the User Manual for battery recycling / disposal or contact your local authority for more information.
- ALWAYS disconnect the appliance from the power supply mains and make sure the appliance is OFF before assembling, disassembling or cleaning of any kind.
- Pollution of the liquid could occur due to leakage of lubricants.
- The product shall not be left outside during freezing weather conditions.
- Only use the accessories provided with the appliance.

CAUTION!

- DO NOT attempt to use the appliance to clean anything other than your pool / spa.
- Use only original accessories delivered with this product.
- DO NOT use this appliance right after pool-shocking. It is recommended to first let the pool circulate for at least 24-48 hours.
- To avoid damaging the USB charging cable, do not carry the appliance by the cable or tug the USB cable to disconnect it from the power source and product.
- Charge the pool vacuum indoors in a clean, dry area with good ventilation and away from sunlight.
- DO NOT leave the appliance plugged in to the charger for over 10 hours.
- If the appliance will not be used for an extended period, make sure it's turned off and use a damp cloth to clean and dry it and its accessories. Make sure to charge the appliance to about 30% to 50% of the battery capacity before it is stored. Store in a well-ventilated area away from sunlight, heat, ignition sources, pool chemicals, and children. Recharge the appliance every three months.

Above warnings and cautions are not intended to incorporate all possible instances for risks and / or severe injuries. Pool / spa owners should always exercise extra caution and common sense when utilizing the product.

GETTING STARTED

Charging The Battery

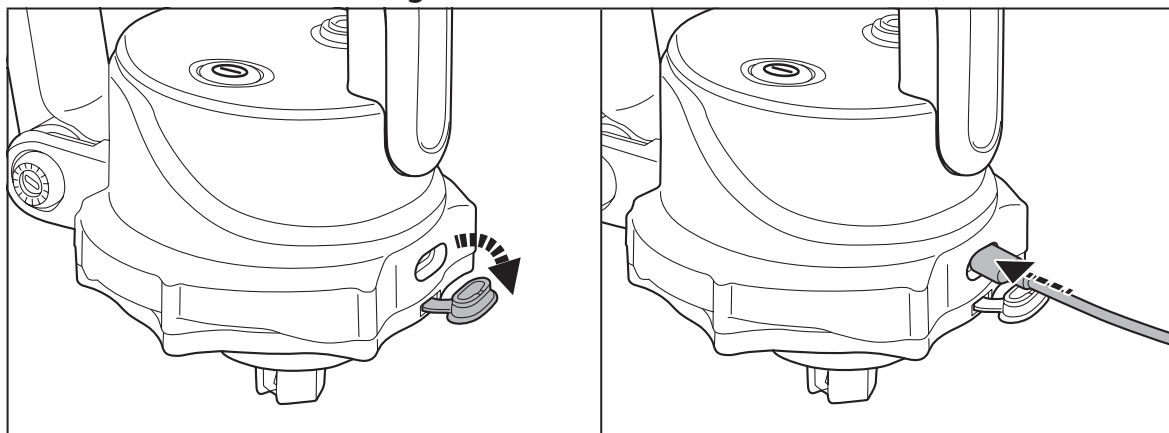
IMPORTANT NOTE:

- USB charger not included - Most USB-C charger supported.
- Fully charge the pool scrubber for 3.5 hours before using it for the first time.

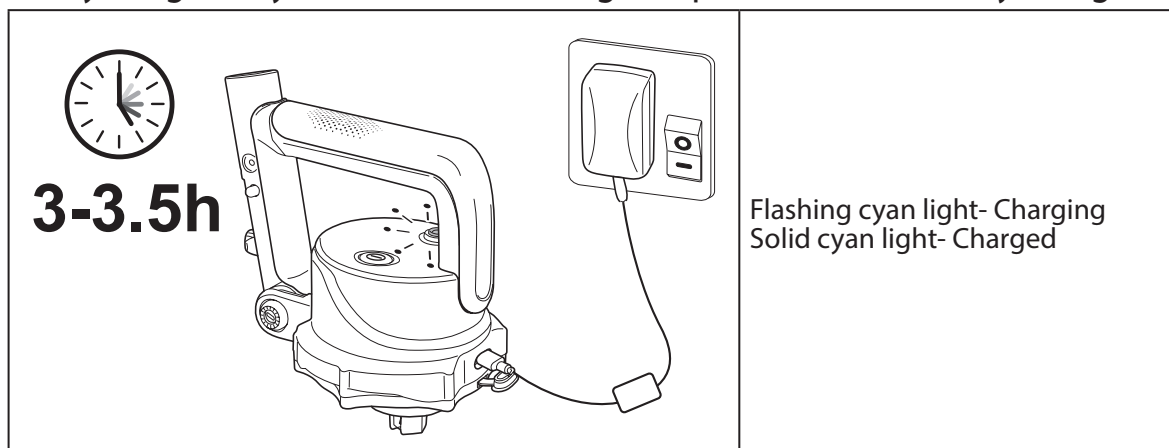
WARNING!

- Only use certified USB charger. Using non-compliant charging equipment may result in damage, reduced performance, or safety hazards.
- Do not use the USB charger if any damage is detected.
- Ensure the pool scrubber and charging port are clean and completely dry before charging. Use a cotton bud to dry the port, and if needed, use a hair dryer set to cool-dry only. Do not use heat, as excessive temperature can cause the port to overheat or become damaged.

1. Place the unit on a flat surface. Lift to open the protective cap, align and insert the end of USB charging cable into the charging port and connect the other end to the USB charger.

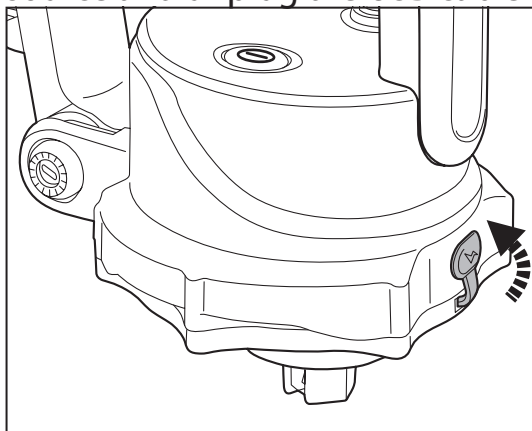


2. Connect the USB charger into the power source. Once the pool scrubber begins to charge, the indicator light will flash cyan (light blue). Normally, it takes about 3- 3.5 hours to reach a full charge. When the cyan light stays on without flashing, the pool scrubber is fully charged.



NOTE

- Use the supplied USB-C cable for best performance:
 - Works with standard 5V USB-C chargers.
 - Most USB-C PD chargers are supported if they offer a 5V output mode.
 - If the original cable is lost, most USB-C to USB-C USB 2.0 cables will work.
 - Always disconnect the USB charger from the power source as soon as charging is complete.
 - Immediately turn the power off and disconnect the USB charger from the power source if you detect any of the following conditions:
 - Offensive or unusual odor
 - Excessive heat
 - Deformation, cracks, leaks
 - Smoke
3. When charging is complete, disconnect the USB charger from the power source and unplug the USB cable from the pool scrubber.



WARNING! Always make sure to securely close the charging port with the protective cap after charging to prevent water or debris from entering.

Normally, the pool scrubber can operate up to **40** minutes on a full charge (after **3-3.5** hours of charging).

NOTE: Excessive pressure on the pool scrubber during cleaning increases the load on the motor and will shorten the operating duration.

NOTE: Rechargeable lithium-ion battery is classified as a consumable item. It has a limited life and will gradually lose its capacity to hold a charge. Therefore, the running time of the pool scrubber will gradually reduce after repeated charging and discharging throughout its product life.

Once the lifespan of the battery reaches its end, refer to section **“BATTERY DISPOSAL”** for instructions regarding battery disposal.

NOTE: Let the pool scrubber rest for 30 to 40 minutes before charging it again.

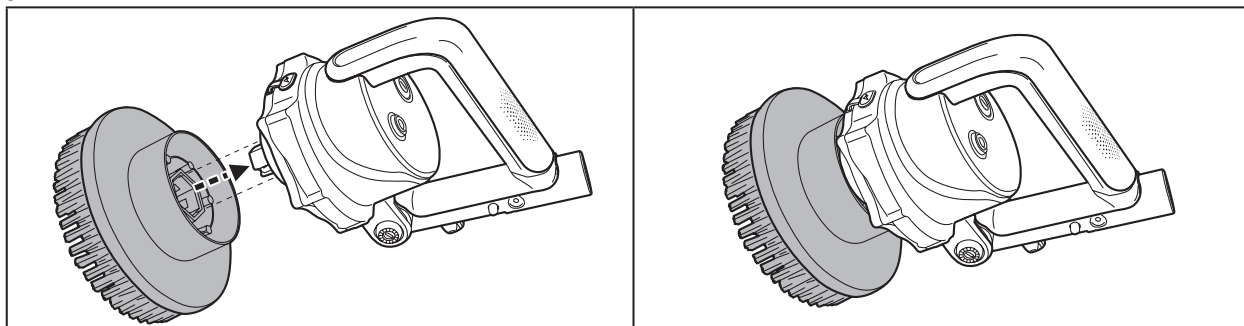
Set-Up Before Use

Brush selection and assembly

(Brush head availability varies by model. Your pool scrubber may not include all three brush types described in this manual).

Standard Brush	Suitable for stains and algae on pool walls and floors. WARNING! Not suitable for cleaning the spa.
Corner Brush	Ideal for cleaning corners and edges. The tapered shape allows cleaning in tight spots. WARNING! Not suitable for cleaning the spa.
Foam Brush	Ideal for cleaning the waterlines and spas.

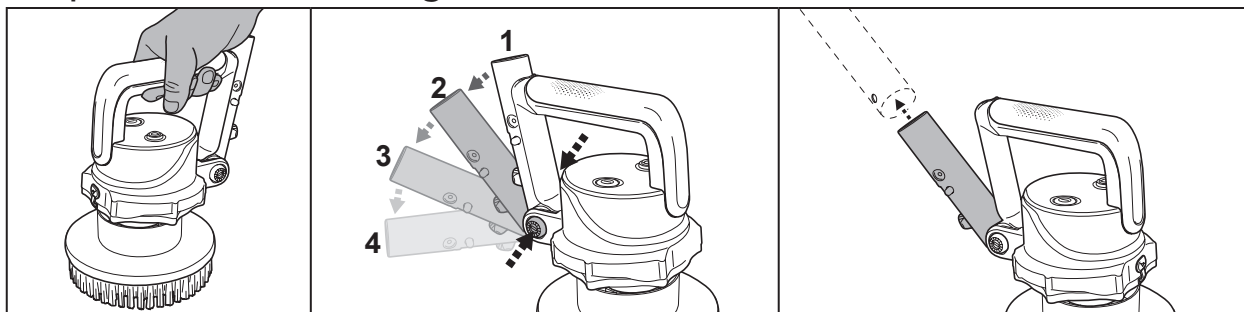
Align the brush with the connector and press firmly until it clicks into place.



If the handheld brush cannot reach certain areas, a telescopic pole (not included) may be used.

To attach, slide the telescopic pole onto the pole connector until the side tabs on the connector are securely locked into the holes, as shown.

To clean effectively, move the pool scrubber steadily while the brush is spinning. Keep the brush head flat and parallel to the pool surface — if it tilts, uneven force can make the brush slip sideways and harder to control. Adjust the pole connector to one of five angles to help keep the brush head aligned.



Precautions:

- When using the pool scrubber on a pool liner, avoid applying excessive force or scrubbing the same spot for an extended period. Prolonged or forceful use may damage the liner surface.
- Skip or feather lightly over repaired patches, seams, or thinned liner; the brush rotation can lift edges or delaminate adhesive.
- Feather or glide the brush gently along seams and corners. Do not press the brush head into crevices, as excessive force may damage the liner or reduce cleaning efficiency.
- Do not operate the pool scrubber directly over loose or abrasive particles. Such materials may scratch pool liners or tiles, scatter during cleaning, and increase the load on the motor. Always remove these particles with a pool vacuum or manual cleaning before using the pool scrubber.

Pool Preparation (Before Using Pool Scrubber)

- Vacuum or scoop loose particles

Eliminates grit or abrasive materials that could scratch the liner or tiles and reduce pool scrubber efficiency.

- Inspect pool liner and tiles

Identifies sharp edges, cracks, or weak spots that could be damaged during scrubbing or interfere with brush movement. If necessary, contact a qualified professional to perform the necessary repairs or perform a liner replacement prior to using the pool scrubber

- Remove obstructions

Clears ladders, toys, or floating accessories that may block the pool scrubber's path or cause accidental collisions.

- Verify seams and corners

Confirms no loose or damaged areas that could catch the brush head, ensuring smooth and safe operation.

- Wait at least 24–48 hours after shocking the pool

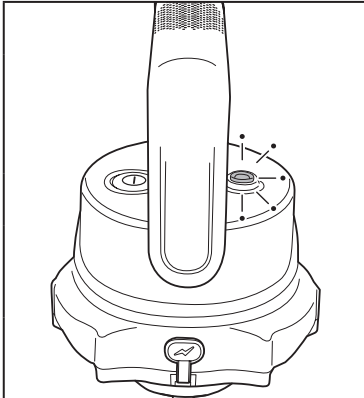
Allows concentrated chemicals to disperse. Using the pool scrubber too soon may expose it to high chlorine levels that can corrode components or damage seals.

- Check salt levels in saltwater pools

Ensure salinity is within the manufacturer's recommended range. Excess salt concentration can accelerate corrosion of metal parts, damage seals, and reduce pool scrubber lifespan.

OPERATION

WARNING! Always make sure to securely close the charging port with the protective cover before deploying the pool scrubber into the water.

	Indicator Light	
	Cyan - Flashing	Charging
	Cyan - Solid	Charged
	Green - Solid	Operate (the brush starts spinning)
	Green - Flashing	Battery level is running low (about 5-10 minutes left)
Red - Solid	Brush has stopped spinning. Motor overload protection is triggered	

Press the Power ON/OFF button to start. The indicator will light up green, and the brush will begin spinning.

NOTE: If too much force is applied, the motor will pause for about three seconds as overload protection. Reduce the pressure and the pool scrubber will continue running. If the force is not reduced, the motor will stop and the indicator light will turn red. To restart, press the Power ON/OFF button off, then on again.

CAUTION!

- Remove the pool scrubber from the pool/spa as soon as cleaning is complete.
- Rinse the pool scrubber with fresh water after every use. **DO NOT** use any detergent.

Brush Cleaning

Detach the brush from the pool scrubber.

Brush Type	Cleaning Method	Storage Tip
Standard / Corner brush	Rinse thoroughly under running water; flush debris from bristles; shake off excess water.	Airdry completely before storage; keep in a dry, shaded place. Avoid direct sunlight, as UV can weaken bristles.
Foam brush	Rinse gently with clean water; squeeze lightly to remove water.	Airdry in shade; avoid direct sunlight to prevent sponge cracking.

MAINTENANCE & STORAGE

NOTE:

- 1) Battery discharges on its own during storage. The battery should be stored at room temperature, charged to about 30% to 50% of its capacity.
- 2) You must recharge the battery at least once every three months if it is not frequently used.
 - Disconnect all USB charging peripherals.
 - Detach all accessories from the pool scrubber. If necessary, rinse the pool scrubber and accessories with fresh water. **DO NOT** use detergent. **NOTE:** Make sure to close the protective cover before rinsing the pool scrubber.
 - Use a damp cloth to clean and dry the pool scrubber and its accessories.
 - Store them in a well-ventilated area away from the sunlight, children, heat, ignition sources, and pool chemicals. Ambient temperature for storage should be 10°C – 25°C (50°F – 77°F). **NOTE:** A higher temperature may reduce the battery life during storage.

WARNING! Under no circumstances should you attempt to disassemble the pool scrubber and replace the motor and battery by yourself.

CAUTION!

- Excessive heat can damage the battery and reduce the lifespan of your pool scrubber as a result.
- Consult your dealer regarding battery replacement if the following happens:
 - Battery does not charge fully.
 - Battery operation time is noticeably reduced. Observe and record the run times of the first few operations (on a full charge). Use these run times as a reference point for comparison with run times in the future.
- The battery must be removed from the pool scrubber before it is scrapped.
- The pool scrubber must be disconnected from the supply mains when the battery is being removed.
- The battery is to be disposed safely in accordance with local ordinances or regulations.

NOTE: Incorrect maintenance may reduce the battery life and affect its capacity as a result.

BATTERY DISPOSAL (To be carried out by authorized technician)

Your pool scrubber's battery is a maintenance-free, rechargeable lithium-ion battery pack, which must be disposed properly. Recycling is required; please contact your local authorities for more information.

WARNING! Never attempt to disassemble a battery pack.

- Be sure to remove all personal items such as rings, bracelets, necklaces, and watches before you unwire the battery pack from the pool scrubber.
- A battery can produce a short circuit current high enough to weld a ring (or similar items) to metal, potentially causing a severe burn in the process.
- Wear complete eye protection, gloves, and protective clothing before you remove the battery pack.
- Avoid touching the wires altogether and avoid allowing them to make contact with any metal items, which could cause sparking and/or short-circuit the battery.
- Never smoke or allow a spark or flame in the vicinity of the battery or the pool scrubber.
- Do not expose the battery to fire or intense heat as this may result in an explosion.

CAUTION!

If a battery leak occurs, avoid contact with the leaking fluids and place the damaged battery in a plastic bag.

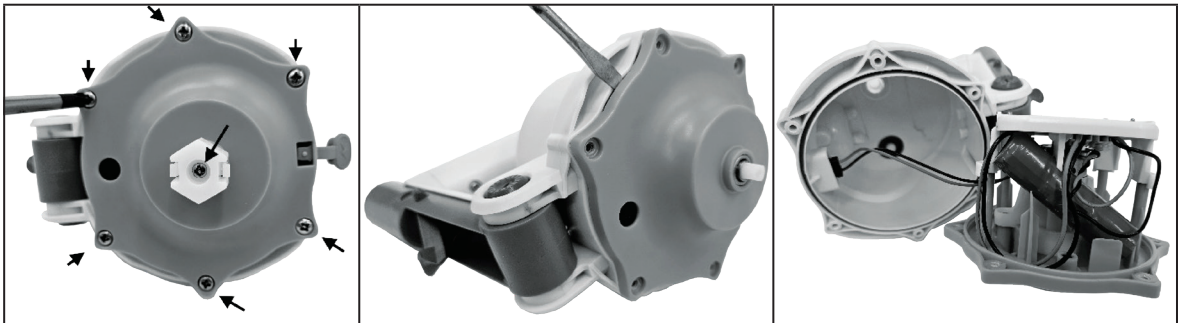
- If leaking fluids come in contact with skin and clothing, wash immediately with plenty of soap and running water.
- If leaking fluids come in contact with eyes, immediately flush them with cool, running water for at least 15 minutes and do not rub them. Seek medical attention immediately.

HOW TO REMOVE THE BATTERY PACK FOR BATTERY DISPOSAL ONLY

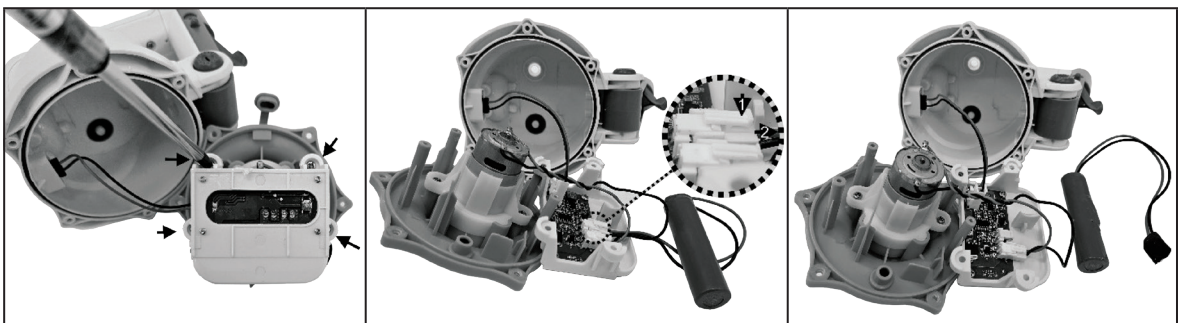
(To be carried out by authorized technician)

Recommended tools (not included): Philips screwdriver and small slot screwdriver.

- 1) To begin, use a Philips screwdriver to remove all indicated screws, then detach the brush connector and washers. With a small slot screwdriver, gently pry along the edge of the bottom cover and remove it to expose the internal components.



- 2) Next, use the Philips screwdriver again to remove the screws securing the battery compartment cover and lift off the cover to reveal the PCBA. Locate the battery connector on the PCB, press the clip to release it, and carefully disconnect the connector. Immediately wrap the battery connector with insulating tape to prevent a short circuit caused by exposed wire terminals. Finally, dispose of the battery pack in accordance with local regulations. Do not incinerate, puncture, or expose the battery to high heat.



TROUBLESHOOTING

Problem	Possible Cause	Solution
Device does not turn on	Battery is not charged	Charge the pool scrubber fully.
	Power button not pressed correctly	Press and hold the Power ON/OFF button until the green indicator lights up.
Brush does not spin	Battery is drained	Recharge the battery fully.
	Motor overload protection triggered	Indicator lights up RED. Reset the pool scrubber according to the instructions.
Pool scrubber cannot be charged / recharged	USB charger / charging cable not connected properly	Check charger / cable connection. Confirm the power source is working.
	Battery is damaged	Contact an authorized dealer regarding replacements. WARNING! DO NOT open the pool scrubber and replace the battery by yourself. This could result in severe or fatal injuries, as well as voiding the warranty.
	USB cable is damaged	Replace with a new USB cable.
	USB charger (not included) is with wrong output	Should use the USB charger with output aligned with the input of the pool scrubber. WARNING! Only use certified USB charger. Using non-compliant charging equipment may result in damage, reduced performance, or safety hazards.
	USB charger (not included) is faulty	Replace with a new USB charger.
Short operating time	Battery not fully charged or battery aging	Fully recharge the battery fully. If the issue persists and the pool scrubber has been extensively, the battery may be aging. Contact an authorized dealer regarding replacement.
Brush falls out in cleaning	Brush securing hook is damaged	Replace with a new brush.
	Brush connector is damaged	Replace with a new brush connector.
Brush bristles wear out quickly	Exposure to direct sunlight or improper storage	Store in a cool, shaded place. Avoid UV sunlight, which weakens bristles. Replace the brush if worn.



We reserve the right to change all or part of the features of the articles or contents of this document, without prior notice.
International patents pending

SAVE THESE INSTRUCTIONS

Manufacturer: Kokido Development Limited, Unit 1319, Sunbeam Centre, 27 Shing Yip Street, Kwun Tong, Kowloon, HK
EB001BRXUSXXAMZ

Support Email: support@kokido.com

Toll-Free Voicemail: (866) 683-7672

Download Instruction Manual & Videos:

QR Code:



<https://shop.kokido.com/pages/support-xtrobrush-100>

Made in China