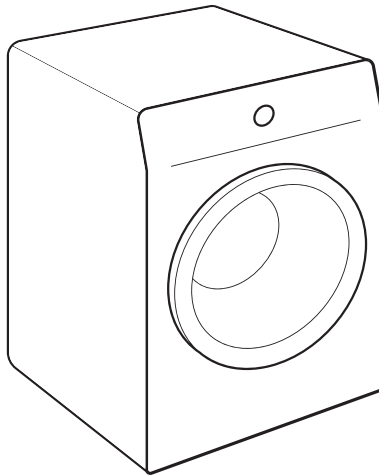




## WASHING MACHINE

User Manual



Models:

**SLW343 | LBW243**

**BEFORE USE, PLEASE READ AND FOLLOW ALL SAFETY RULES AND OPERATING INSTRUCTIONS**

Model Number:

Serial Number:

**Felix Storch, Inc.**  
ISO 9001:2015 registered company  
770 Garrison Avenue  
Bronx, NY 10474  
[www.summitappliance.com](http://www.summitappliance.com)

This washing machine is intended solely for household use. Please do not use it for any laundry labelled as not suitable for machine washing.

The following symbols are used throughout the manual and they have the following meanings:



**INFORMATION!**

Information, advice, tip, or recommendation



**WARNING!**

Warning – general danger



**ELECTRIC SHOCK!**

Warning – danger of electric shock



**HOT SURFACE!**

Warning – danger of hot surface



**DANGER OF FIRE!**

Warning – danger of fire



It is important that you carefully read the instructions.

# Contents

<b>IMPORTANT SAFETY INSTRUCTIONS</b> .....	<b>5</b>
CHILD SAFETY .....	6
DANGER OF HOT SURFACE .....	6
<b>WASHING MACHINE DESCRIPTION</b> .....	<b>7</b>
Technical specifications .....	7
Touch control .....	8
<b>INSTALLATION AND CONNECTION</b> .....	<b>10</b>
Removing the blocking rods .....	10
Moving and transport after installation .....	10
Selecting the room .....	11
Adjusting the washing machine feet .....	11
Washing machine placement .....	12
Washing machine installation clearances .....	13
Closet Install- Ventilation Requirements .....	14
Connecting to water supply .....	15
Connecting and securing the water discharge hose .....	16
Connecting the appliance to the power mains .....	17
Electrical connections .....	18
<b>BEFORE USING THE APPLIANCE FOR THE FIRST TIME</b> .....	<b>19</b>
<b>WASHING PROCESS, STEP BY STEP (1-7)</b> .....	<b>20</b>
Step 1: Heed the labels on the laundry .....	20
Step 2: Preparing the washing process .....	21
Switching on the washing machine .....	21
Loading the washing machine .....	22
Step 3: Choosing the washing program .....	22
Program table .....	23
Time optimization during the program progress .....	26
Washing programs with steam .....	26
Step 4: Choosing the settings .....	27
Two button combination setting .....	29
Step 5: Selecting additional functions .....	31
Function table .....	32
Step 6: Starting the washing program .....	33
Step 7: End of the washing program .....	33
<b>INTERRUPTIONS AND CHANGING THE PROGRAM</b> .....	<b>34</b>
Manual interruption .....	34
Personal settings .....	34
AdaptTech .....	34
Personal settings menu .....	34
Pause button .....	35
Adding/removing laundry during washing machine operation .....	35
Errors .....	35
Power supply failure .....	35
Opening the door (pause/cancel/change program) .....	35
Displaying the number of completed wash cycles .....	35

<b>CLEANING AND MAINTENANCE .....</b>	<b>36</b>
Cleaning the dispenser tray .....	36
Cleaning the water supply hose, detergent dispenser housing, and rubber door gasket .....	37
Cleaning the pump filter .....	38
Cleaning the washing machine exterior .....	39
<b>RECOMMENDATIONS FOR WASHING AND ECONOMIC USE YOUR WASHING MACHINE .....</b>	<b>40</b>
Stain removal tips .....	42
Low standby mode .....	44
<b>TROUBLESHOOTING .....</b>	<b>45</b>
<b>DISPOSAL .....</b>	<b>50</b>
<b>LIMITED WARRANTY .....</b>	<b>51</b>



## IMPORTANT SAFETY INSTRUCTIONS



### SAVE THESE INSTRUCTIONS FOR FUTURE REFERENCE

Carefully read the instructions for use before using the washing machine.

Do not use the washing machine without reading and understanding these instructions before the first use.

These instructions for use of a washing machine are supplied with different types or models of washing machines. Therefore, they may include descriptions of settings or equipment that are not available in your washing machine.

Failure to observe the instructions for use or inappropriate use of the washing machine may result in damage to the laundry or the appliance, or injury to the user. Keep the instruction manual near the washing machine.

Your washing machine is intended solely for household use. If the washing machine is used for professional, for-profit purpose or purpose exceeding normal use in a household, or if the washing machine is used by a person who is not a consumer, the warranty period shall be equal to the shortest warranty period required by relevant legislation.

Follow the instructions for correct installation of the washing machine and connection to the water and power mains (see the INSTALLATION AND CONNECTION section).

- Connection to water and power supply must be performed by an adequately trained technician or expert.
- Any repair and maintenance pertaining to safety or performance should be done by trained experts.
- To avoid danger, a **damaged power cord** may only be replaced by the manufacturer, a service technician, or an authorized person.
- **Before connecting the washing machine to the power mains, wait for at least 2 hours until it reaches room temperature.**
- In case of a defect, only use approved spare parts by authorized manufacturers. To order replacement parts, visit our website: [summitapplianceparts.com](http://summitapplianceparts.com)
- Do not use spare parts that have not been recommended by the manufacturer (e.g. parts made at home using a 3D printer).
- In case of incorrect washing machine connection, incorrect use, or servicing by an unauthorized person, the user shall bear the cost of any damage as such damage shall not be covered by warranty.
- The washing machine may not be connected to the power mains using an extension cord.
- Do not connect the washing machine to power mains using an external switching device such as a program timer or connect it to power mains that is regularly switched on and off by the power supply provider.
- Certain internal parts are intentionally not grounded and may present a risk of electric shock only during servicing. Service Personnel - Do not contact the following parts while the appliance is energized: Motor, Pump and Control unit.
- **Do not install the washing machine in a room where the temperature can drop to below 41°F (5°C)**, as washing machine parts may be damaged in case of water freezing.
- The ventilation openings in the base of washing machine must not be obstructed by a carpet.
- Place the washing machine on a level and stable solid (concrete) base.
- **Before the first use of the washing machine, remove the blocking rods**, as switching on a blocked washing machine can result in serious damage (see "Removing the blocking rods" in the INSTALLATION AND CONNECTION section). Warranty shall be void in cases of such damage.
- **To connect the washing machine to water supply**, make sure to use the supplied water supply hose and gaskets. Water pressure must be between **0.05 and 0.8 MPa** (0.5 – 8 bar).
- Always use a new water supply hose to connect the washing machine to water supply; do not reuse an old water supply hose.
- The end of the water discharge hose should reach into a water drain line.
- Before the start of the washing cycle, press the door on the indicated spot until it locks into place. The door cannot be opened during washing machine operation.
- **We recommend removing any impurities from the washing machine drum before the first wash** by using the Sanitize Tub program (see PROGRAM TABLE).
- **After the washing cycle, close the water tap and pull out the washing machine plug from the power socket.**
- Clean the pump filter whenever the symbol appears on the display unit.
- Only use the washing machine for washing laundry, as described in the instruction manual. The machine is not intended for dry cleaning.
- Only use agents for washing machines and care for laundry. We shall not be responsible for any damage or discoloration of gaskets and plastic parts resulting from incorrect use of bleaching or coloring agents.
- **When descaling**, only use descaling agents with added anti-corrosion protection. (Only use non-corrosive descaling agents) Follow the manufacturer's instructions. Finish the descaling process with several rinse cycles or by running the Sanitize Tub (Self-cleaning program) to remove any residual acid (e.g. vinegar etc.)



#### DANGER OF FIRE!

Do not use detergents that contain solvents as this could lead to release of poisonous gases, damage to the washing machine, and risk of fire and explosion.

- No silver ions are released during the washing program.
- This appliance is not intended for use by persons (including children) with reduced physical, sensory, or cognitive abilities, or by persons lacking experience and knowledge, unless they have been given supervision or instruction concerning the use of the appliance by a person responsible for their safety.
- **The warranty does not cover consumables**, minor deviations in color, increased noise that results from appliance age and which does not affect the functionality of the appliance, and aesthetic defects on components, which do not affect the functionality and safety of the appliance.
- **The washing machine may only be used with the supplied power cord.**

## CHILD SAFETY

### **WARNING!**

- Do not let children younger than three years come near the appliance, unless they are under constant supervision.
- Make sure children do not play with the appliance.
- Keep the detergent and conditioner out of reach of children.

- Before closing the washing machine door and running the program, make sure there is nothing except laundry in the drum (e.g. if a child climbed into the washing machine drum and closed the door from the inside).
- **To activate the child lock** see "Child Lock" in the CHOOSING THE SETTINGS section.
- **The washing machine is made in compliance with all relevant safety standards.**
- This washing machine may be used by children aged 8 years and above and by persons with reduced physical, sensory, or cognitive capabilities or lack of experience and knowledge, but only if they are supervised during the use of the washing machine, if they have been provided relevant instructions regarding safe use of the washing machine, and if they understand the hazards of inappropriate use.
- Children may not clean the washing machine or perform any maintenance tasks without supervision.

## DANGER OF HOT SURFACE



### **HOT SURFACE!**

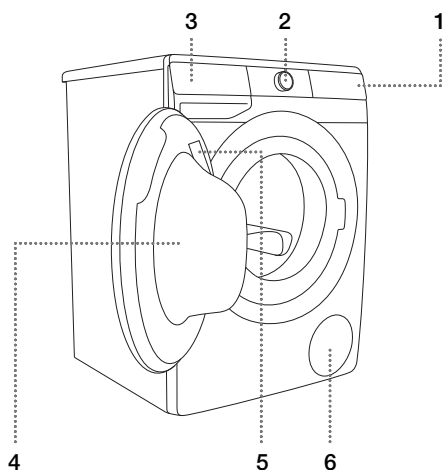
At higher washing temperatures, the door glass will heat up. Use caution to avoid burns. Ensure children do not play near the glass door.



### **WARNING!**

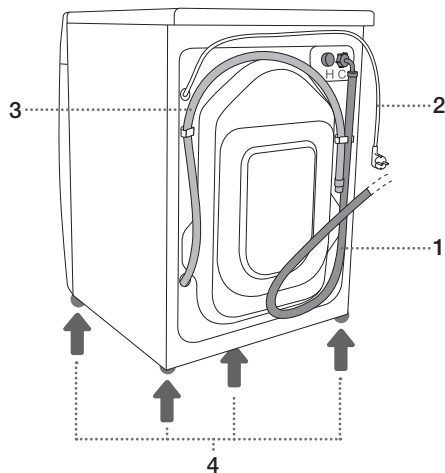
If the water level in the appliance rises above normal level and the excess water level protection will be activated. It will shut off the water supply and start pumping out the water. The program is interrupted, and an error is reported (see TROUBLESHOOTING TABLE).

# WASHING MACHINE DESCRIPTION



## FRONT

1. Touch control
2. ON/OFF & program selector knob
3. Dispenser tray
4. Door
5. Rating plate
6. Pump filter



## BACK

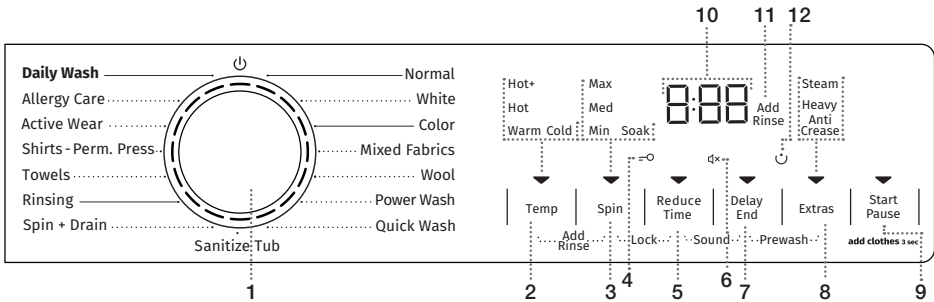
1. Water supply hose
2. Power cord
3. Water discharge hose
4. Adjustable feet

## Technical specifications

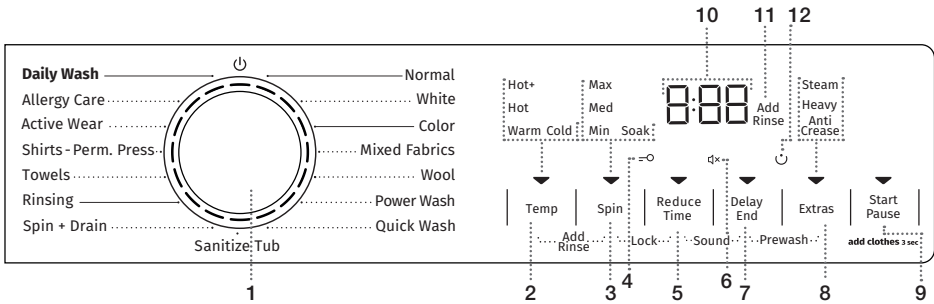
Rating plate with basic information about the washing machine is located on the inner side of the washing machine door (see WASHING MACHINE DESCRIPTION).

Maximum load	See rating plate
Width	23½" (600 mm)
Height	33½" (850 mm)
Washing machine depth (a)	24" (610 mm)
Depth with door closed	25½" (640 mm)
Depth with door open (b)	44½" (1125 mm)
Rated voltage	See rating plate
Nominal power	See rating plate
Connection	See rating plate
Water pressure	See rating plate
Current	See rating plate
Frequency	See rating plate

# Touch Control



1	<p>Washing machine <b>ON/OFF</b> and <b>PROGRAM SELECTOR KNOB</b>.          To <b>TURN ON</b> the washing machine, rotate the program selector knob left or right.          To <b>TURN OFF</b> the washing machine, rotate the program selector knob to the <b>OFF</b> position.          To <b>SELECT</b> a washing program, rotate the knob left or right. The signal light next to the selected program lights up.</p>
2	<p><b>TEMP (WASHING TEMPERATURE)</b>          Option to set washing temperature <b>HOT+</b> (extra hot), <b>HOT</b>, <b>WARM</b>, <b>COLD</b>.          When the appliance is turned on, the ▼ indicator lights up.</p>
3	<ul style="list-style-type: none"> <li>• <b>SPIN (SPINNING RATE)</b>              Option to set the spinning rate <b>MAX</b> (Maximum), <b>MED</b> (Medium), <b>MIN</b> (Minimum).</li> <li>• <b>SOAK</b> – Pump stop</li> <li>• <b>DRAIN</b> – no lighting</li> </ul> <p>When the appliance is turned on, the ▼ indicator lights up.</p>
2+3	<p><b>ADD RINSE</b>          Option to Add two additional rinses.          Press and hold <b>TEMP</b> and <b>SPIN</b> (2 and 3) for 3 seconds.</p>
4	<p><b>CHILD LOCK</b> symbol (light) =○</p>
5	<p><b>REDUCE TIME (FAST)</b>          Option to set a shorter washing program time.          When the appliance is turned on, the ▼ indicator lights up.</p>
3+5	<p><b>Child Lock ON/OFF (Lock)</b>          Press and hold <b>SPIN</b> and <b>REDUCE TIME</b> (3 &amp; 5) for 3 seconds.</p>
6	<p><b>SOUND OFF</b> symbol (light) ⇩×</p>
7	<p><b>DELAY END (DELAYING THE END OF THE WASHING PROGRAM)</b>          Option to set the time of washing program completion.          When the appliance is turned on, the ▼ indicator lights up.</p>
5+7	<p><b>SOUND ON/OFF</b> ⇩×</p> <p>Press and hold <b>REDUCE TIME</b> and <b>DELAY END</b> (5 &amp; 7) for 3 seconds.</p>
8	<p><b>EXTRAS (ADDITIONAL FUNCTIONS)</b></p> <ul style="list-style-type: none"> <li>• <b>STEAM (STEAM)</b>              Option to activate the laundry refresh function</li> </ul>



	<ul style="list-style-type: none"> <li>• <b>HEAVY (EXTRA WATER)</b> Option to set a higher water level</li> <li>• <b>ANTI CREASE (CREASE PREVENTION)</b> Option to activate the gentle wash function.</li> </ul> <p>When the appliance is turned on, the ▼ indicator lights up.</p>
7+8	<p><b>ON/OFF PREWASH (PREWASH)</b> Press and hold <b>END DELAY</b> and <b>EXTRAS (7 &amp; 8)</b> for 3 seconds.</p>
9	<p><b>START/PAUSE</b> The button has 4 functions:</p> <ul style="list-style-type: none"> <li>• <b>START</b> – starting the program (press the button once to start the program)</li> <li>• <b>PAUSE</b> – pause the program (press the button again to pause the operation)</li> <li>• <b>ADD CLOTHES</b> – adding clothes into the drum during the washing program (press and hold for 3 seconds)</li> <li>• <b>SAVING PERSONAL SETTINGS</b> (press and hold for 5 seconds)</li> </ul> <p>When the appliance is turned on, the ▼ indicator lights up.</p>
10	<p>The following is displayed on the <b>DISPLAY UNIT</b>:</p> <ul style="list-style-type: none"> <li>• Available functions</li> <li>• Time remaining to program completion</li> <li>• Information for the user</li> </ul>
11	<p><b>ADD RINSE</b> function (light)</p>
12	<p><b>PREWASH</b> symbol (light)</p>

# INSTALLATION AND CONNECTION



## INFORMATION!

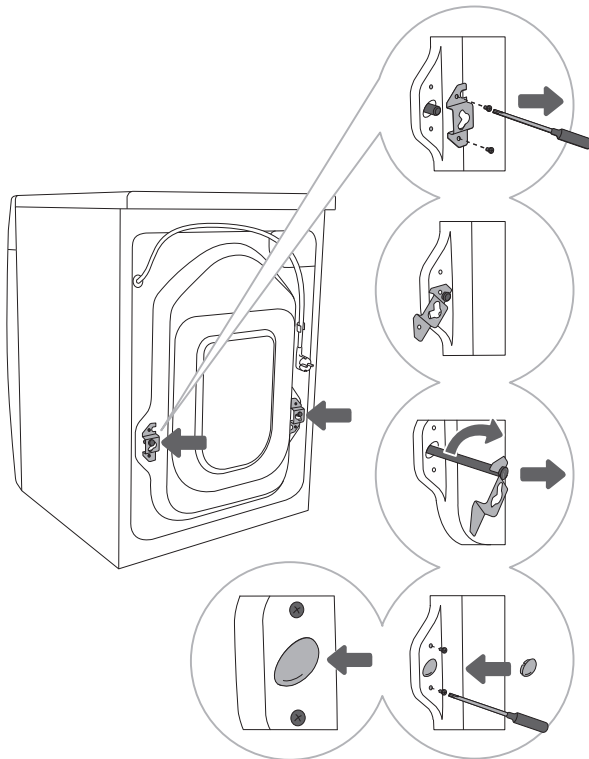
Remove all packaging materials. Use caution not to damage the appliance with any sharp objects while unpacking.

## Removing the blocking rods



### WARNING!

Before the first use of the appliance, transport rods must be removed. A blocked washing machine may be damaged when it is switched on for the first time. Warranty shall be void in cases of such damage!



**1** Move the hoses and undo the screws on the back of the washing machine. Remove the two angular pieces.

**2** Slide the angular pieces onto the groove in the blocking rod; before doing so, rotate the right angular piece to the opposite side.

**3** Use the angular pieces to rotate the blocking rods by 90° and pull them out.

**4** Cover the two holes through which the blocking rods were inserted with plastic plugs, and redo the screws that you undid in step 1. The plastic plugs are supplied in the bag with the washing machine instruction manual.

## Moving and transport after installation



### INFORMATION!

If you wish to move the washing machine after it has been installed, the angular pieces and at least one blocking rods have to be re-installed to prevent vibration damage to the washing machine during transport (see INSTALLATION AND CONNECTION/Removing the blocking rods). The angular pieces and the blocking rods can be ordered if needed.

## Selecting the room



### INFORMATION!

The washing machine must be placed on a floor with a concrete base. It should be clean and dry; otherwise, the washing machine may slide. Ensure the bottom of adjustable feet are clean and dry.



### INFORMATION!

The washing machine must stand level and stable on a solid base.

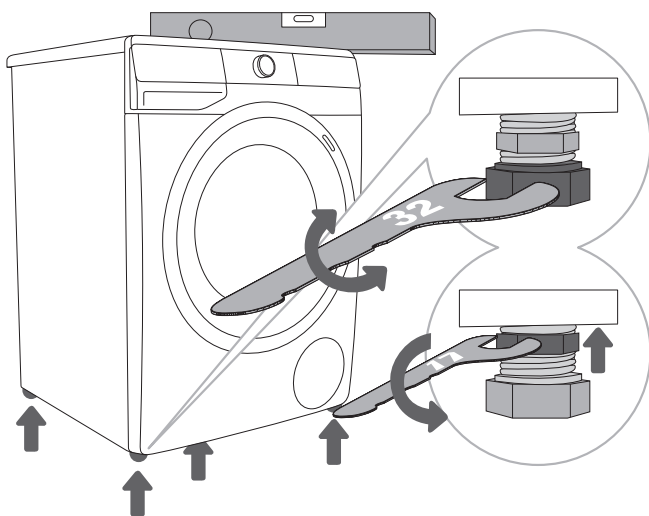


### INFORMATION!

If the washing machine is placed on an elevated stable base, the washing machine has to be additionally secured against tipping.

## Adjusting the washing machine feet

Use a water scale and spanner No. 32 (for feet) and 17 (for the nut).



.....  
**1** Level the washing machine both front-to-back and side-to-side by rotating the adjustable feet.  
.....

**2** After adjusting the height of the feet, firmly tighten the jam nuts (counter nuts) using a spanner No 17, by turning them towards the bottom of the washing machine ↑ (see figure).



### INFORMATION!

Incorrect leveling of the washing machine with the adjustable legs may cause vibration, appliance sliding across the room, and loud operation. Incorrect leveling of the washing machine is not subject to warranty.



### INFORMATION!

Unusual or louder noises may occur during appliance operation. These sounds are usually caused by improper installation.

# Washing machine placement

If you also have a dryer of corresponding (same) dimensions, it can be placed on top of the washing machine. The vacuum feet must be used when installing a dryer over the washing machine. Alternatively, the dryer can be placed next to the washing machine (figures 1 and 3).

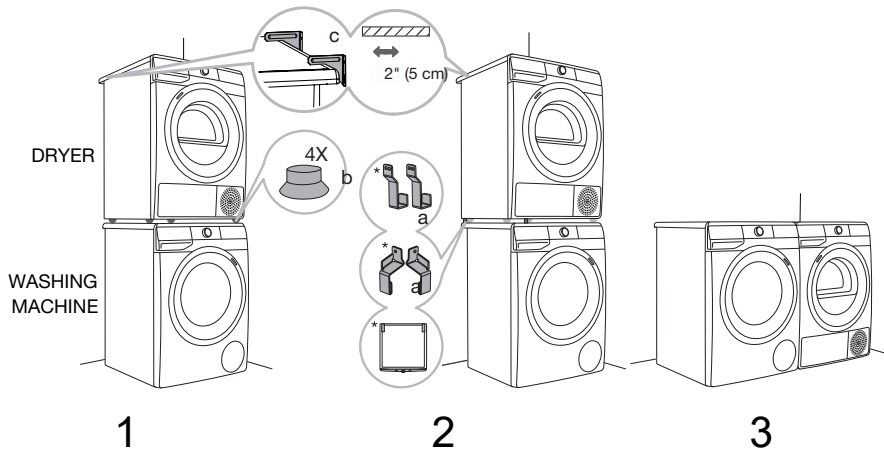
If your washing machine is smaller (minimum depth 21½" / 545 mm) than your dryer, then the dryer support has to be purchased separately (figure 2). The supplied vacuum feet must be used; they are designed to prevent the dryer from slipping. **It is essential to use the vacuum feet!**

Additional accessories: dryer support (a), vacuum feet (b), and wall fixing bracket (c).

To order replacement parts, visit our website: [summitapplianceparts.com](http://summitapplianceparts.com)

The surface on which the appliance is placed should be clean and level.

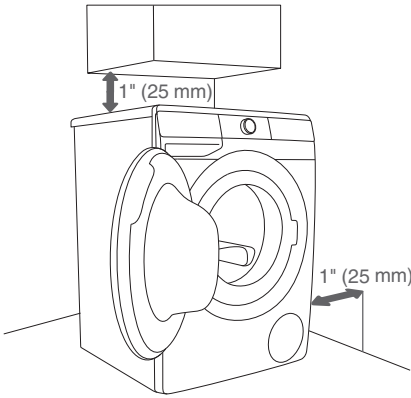
The washing machine must be able to hold the weight of the dryer (see WASHING MACHINE DESCRIPTION/Technical specifications).



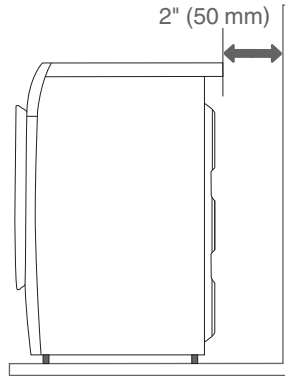
**INFORMATION!**  
Stacking kit is included with each washing machine.

**INFORMATION!**  
If you are installing the washing machine on top of a dryer and integrating both units into a closet (closet installation), follow the installation and use instructions provided with the dryer.

## Washing machine installation clearances



1



2



### INFORMATION!

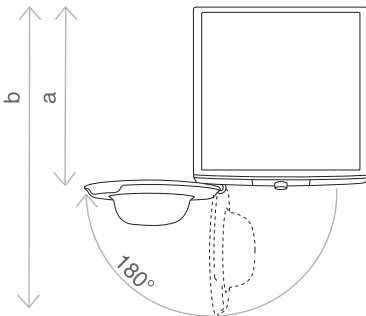
The washing machine must not be in direct contact with any wall or adjacent furniture. For optimal performance, maintain the clearances from walls as shown in the figure. Failure to observe the minimum required clearances may result in improper operation and could compromise safety. Inadequate ventilation may also lead to overheating (see Figures 1 and 2).



### INFORMATION!

Installing the washing machine under a countertop is not recommended.

## Opening the washing machine door (overhead view)



See (WASHING MACHINE DESCRIPTION/

Technical specifications)

a = washing machine depth

b = depth with door open



### INFORMATION!

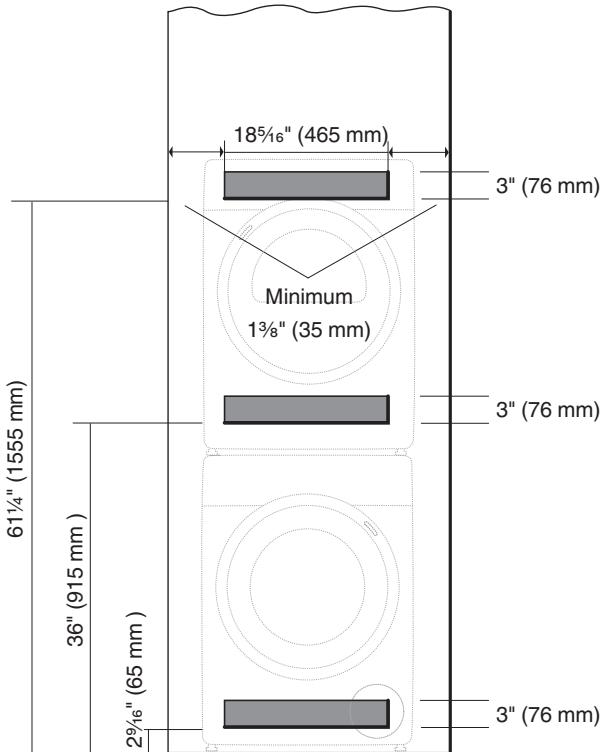
Before connecting the washing machine to the power mains, wait for at least 2 hours until it reaches room temperature.

# Closet Install- Ventilation Requirements

The front panel controls make it possible to install the washers and dryers in a closet. Allow a 1" (25 mm) minimum clearance between units and cabinet or wall and a 1" (25 mm) minimum clearance between the rear edge of the machine top panel and the cabinet or wall.

To ensure proper ventilation, we recommend louvered doors. Otherwise there must be ventilation openings in the door.

See illustration for minimum ventilation openings below (gray boxes):



## **INFORMATION!**

Ensure that the washing machine door can be opened fully and without obstruction after installation.

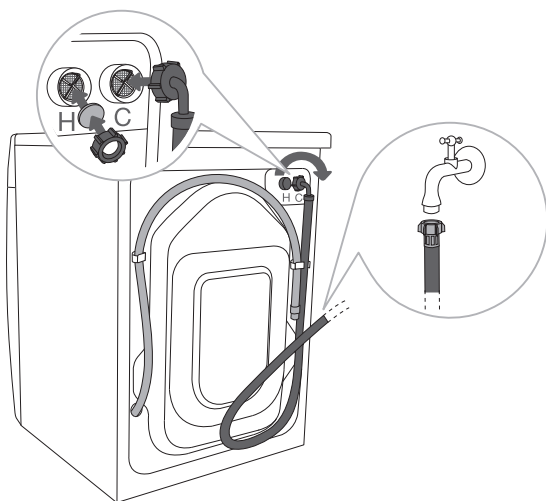
## **INFORMATION!**

The cool air intake panel at the front of the washing machine must not be blocked or covered.

Obstructing the airflow may cause the unit to display an error or malfunction.

## Connecting to water supply

Attach the hose to the water tap by screwing it onto the thread.



### INFORMATION!

- If your washing machine features a hot and cold water connection, but you only wish to connect it to cold water supply, do not install the hot water hose and close the hot water connection on the back of the washing machine with the supplied cap.
- For normal washing machine operation, the pressure in the water mains should be between **0.05 and 0.8 MPa** (0,5 - 8 bar). Minimum dynamic water pressure can be determined by measuring the water flow. **0,32 US gal lqd** (1.2 litres) of water should flow from a fully open tap in 30 seconds.
- If your model has connections for both hot and cold water, then connect one hose to the cold water supply and the other one to the hot water supply, as indicated on the back of the washing machine. Connections are labeled with letters C and H (C = cold, H = hot). HOT water (mixture of hot and cold water) is only added for programs at WARM or higher.
- Connect the 90° angled end of the hose to the washer and the straight end to the water supply tap.
- HOT and COLD water hoses are enclosed inside each washing machine.
- Tighten the water supply hose by hand, firmly enough for the hose to have a good seal (max. 2 Nm). After connecting the hose, the seal must be checked for any leaks. Do not use pliers or similar tools when connecting the hose as this could damage the nut thread.
- Only use the water supply hose supplied with the appliance. Do not use any used or other hoses.
- When connecting the water supply hose, make sure to connect it in a way that allows adequate and unobstructed water supply.

### WARNING!

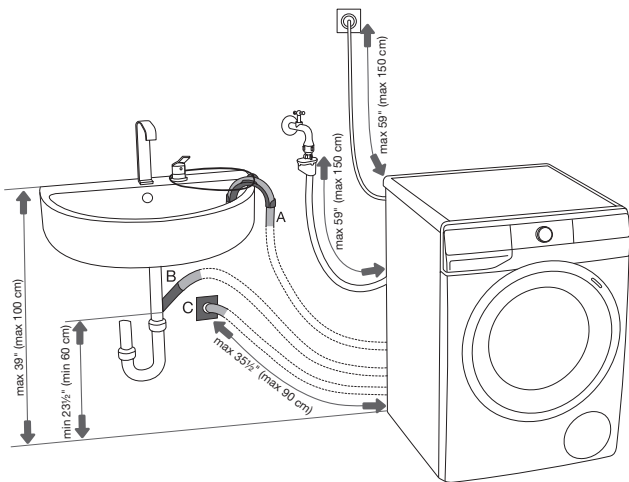
Hot water connection.

The hot water temperature must not exceed **158°F** (70°C)

# Connecting and securing the water discharge hose

Feed the water discharge hose into a washbasin or a bathtub, or connect it directly to a drain discharge hose with a minimum diameter of 1½" (4 cm).

The vertical distance from the floor to the end of the discharge hose should be **no more than 39" (100 cm)** and **no less than 23½" (60 cm)**. It can be attached in three ways (A, B, C).

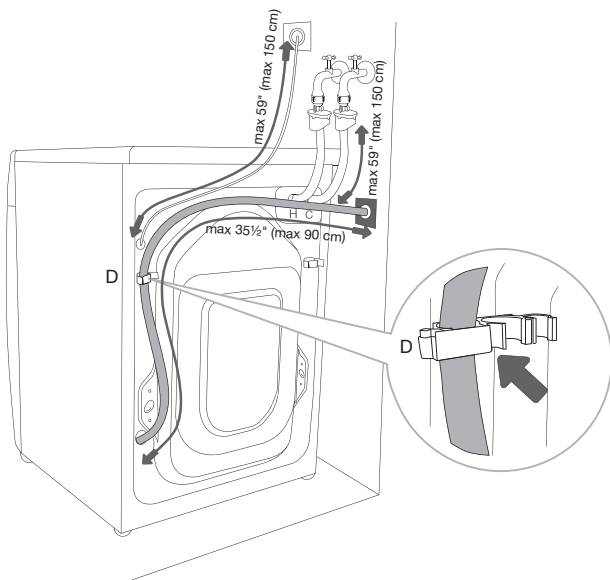


**A** Discharge hose end may be placed over a washbasin or a bathtub. Use a string fed through the opening in the elbow support to attach the hose and prevent it from slipping to the floor.

**B** Discharge hose may also be attached directly to the washbasin drain.

**C** Discharge hose can also be attached to a wall drain with a trap; such trap should be properly installed to allow cleaning.

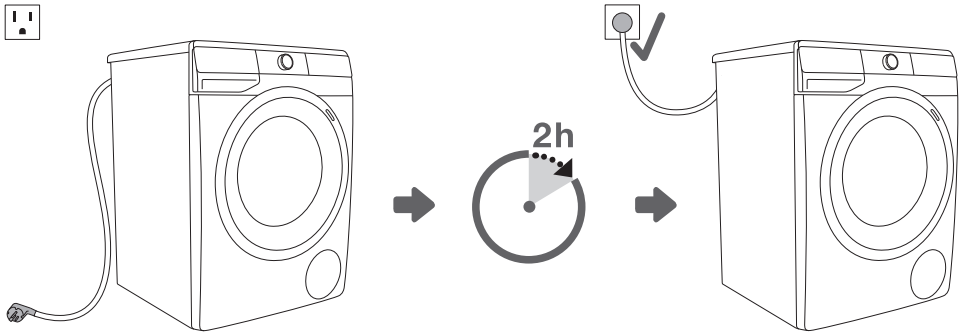
**D** The discharge hose has to be attached and affixed to the pin on the back of the washing machine, as shown in the figure.



## INFORMATION!

If the discharge hose is not correctly attached, safe and correct washing machine operation cannot be ensured.

## Connecting the appliance to the power mains



### **ELECTRIC SHOCK!**

Before connecting the washing machine to the power mains, wait for at least 2 hours until it reaches room temperature.

Connect the washing machine to a grounded power outlet. After installation, the wall outlet should be freely accessible. The outlet must be properly grounded in accordance with applicable electrical regulations.

Information on your washing machine is indicated on the rating plate (see WASHING MACHINE DESCRIPTION/Technical information).



### **ELECTRIC SHOCK!**

**We recommend using over-voltage protection to protect the appliance in case of a lightning strike.**



### **WARNING!**



The washing machine should not be connected to the power mains using an extension cord.

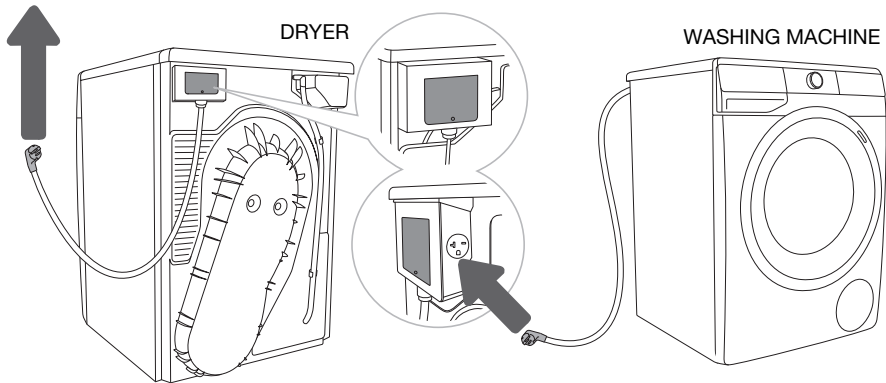


### **INFORMATION!**

Any repair and maintenance pertaining to safety or performance should be done by a trained experts.

# Electrical connections

 <p>4-wire receptacle (14-30 R)</p>	<p>Dryer shipped with cord to this type 4-wire receptacle</p>
 <p>3-wire receptacle (10-30 R)</p>	<p>If you have 3-wire receptacle, like this, a 3 wire dryer cord must be purchased locally.</p>



The machine is delivered ready-fitted with a plug and is intended for connection to a dryer, which is equipped with a matching receptacle. The plug supplied with the washer can only be used with a dryer. If the washer is used separately or with another dryer, it must be on a separate **208-240 V** two-phase circuit.

If the machine is to be used in a wet area, the supply must be protected by a residual current device.

As supplied: **208-240 V, 60 Hz, 1700 W** heating element, **15 A** fuse required.



## INFORMATION!

Repairs and maintenance relating to safety or performance must be carried out by a qualified professional.



## ELECTRIC SHOCK!

Connection to a permanently wired supply point must be made only by a qualified electrician.



## WARNING!

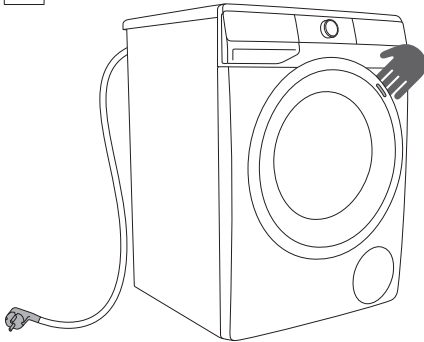
Certain internal parts are intentionally not grounded and may present a risk of electric shock only during servicing.

Service Personnel - Do not contact the following parts while the appliance is energized: Motor, Pump, and Control unit.

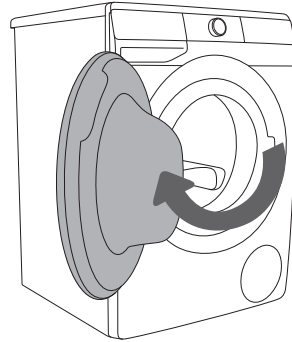
# BEFORE USING THE APPLIANCE FOR THE FIRST TIME

Ensure the washing machine is disconnected from the power mains. Then, open the door towards you (figures 1 and 2).

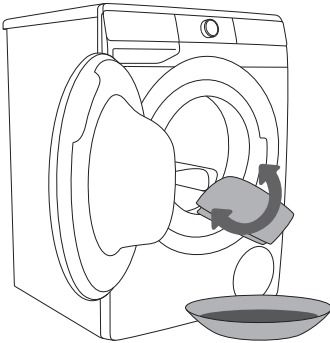
Before first use, clean the washing machine drum with a soft moist cotton cloth and water, or use the Sanitize Tub program. There should be no laundry in the washing machine drum; the drum should be empty (figures 3 and 4).



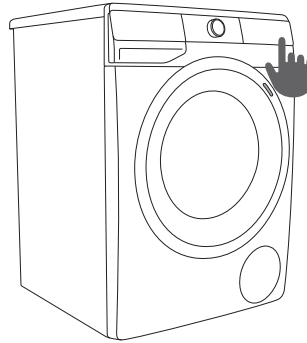
1



2



3



4






























## WARNING!

Do not use any solvents or cleaning agents that could damage the washing machine (follow the recommendations and warnings provided by the cleaning agent manufacturers).

# WASHING PROCESS, STEP BY STEP (1-7)

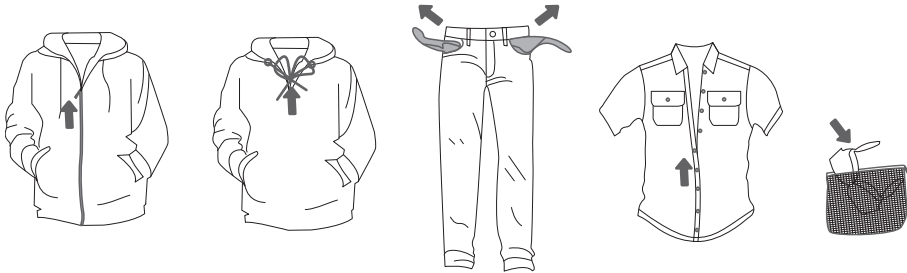
## Step 1: Heed the labels on the laundry

<b>Cotton Normal wash;</b>			
<b>Sensitive laundry</b>			
	Max. washing temperature HOT+ (EXTRA HOT)		Max. washing temperature WARM
	Max. washing temperature HOT		Hand wash only
			Do not wash
<b>Bleaching</b>			
	Bleaching in cool water		Bleaching not allowed
<b>Dry cleaning</b>			
	Dry cleaning with all agents		Petroleum solvent R11, R113
	Dry cleaning in kerosene, pure alcohol, and in R113		Dry cleaning not allowed
<b>Ironing</b>			
	Hot ironing, max. HIGH temperature		Hot ironing, max. LOW temperature
	Hot ironing, max. MEDIUM temperature		Ironing not allowed
<b>Drying</b>			
	Dry flat (place on a flat surface)		High temperature
	Drip dry		Low temperature
	Line dry		Do not tumble dry

<b>Wash water temperature</b>	
	Maximum water temperature 194°F (90°C) HOT+ (EXTRA HOT)
	Maximum water temperature 160°F (70°C) HOT+ (EXTRA HOT)
	Maximum water temperature 140°F (60°C) (HOT)
	Maximum water temperature 120°F (50°C) (HOT)
	Maximum water temperature 105°F (40°C) (WARM)
	Maximum water temperature 85°F (30°C) (WARM)

## Step 2: Preparing the washing process

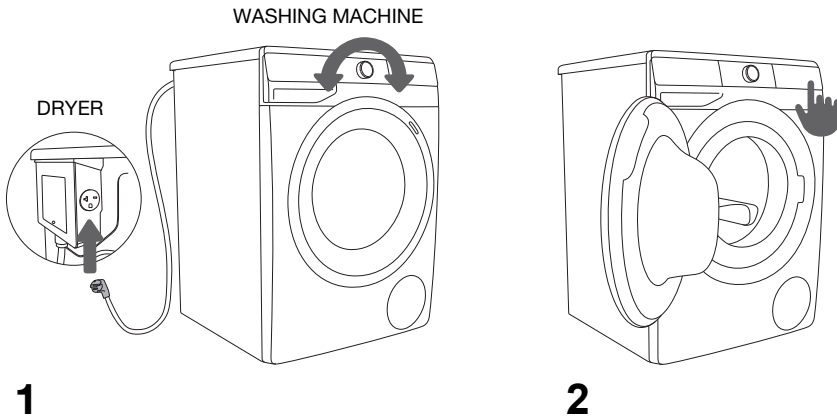
1. Sort the laundry by type of fabric, color, soiling, and allowed washing temperature (see PROGRAMME TABLE).
2. Wash the laundry that sheds a lot of fiber or lint separately from other laundry.
3. Empty the pockets. Coins, nails, etc. as it could damage the machine and the fabric.
4. Close all buttons and zippers, tie any ribbons, and turn the pockets inside out; remove any metal clips that could damage the laundry and washing machine interior, or clog the drain.
5. Place very sensitive clothes and small items in a special-purpose laundry washing bag.



## Switching on the washing machine

Use the power cord to connect the washing machine to power mains, and connect the washing machine to water supply.

To turn on the appliance, rotate the program selector knob to any position.

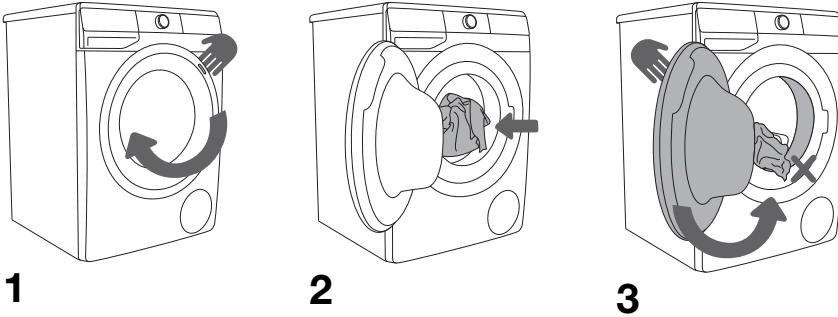


### INFORMATION!

The lamp in the washing machine drum may only be replaced by a service technician or an authorized person.

# Loading the washing machine

Open the washing machine door by pulling the handle towards you (figure 1).  
Insert the laundry into the drum (after checking the drum is empty) (figure 2).  
Check that no garment is caught between the door and the rubber gasket.  
Close the washing machine door (figure 3).

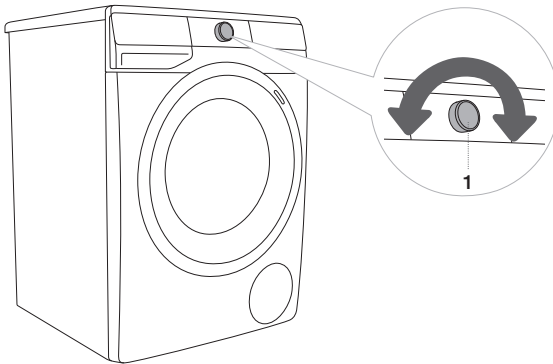


Do not overload the drum. Refer to the PROGRAM TABLE and follow the maximum load capacity indicated on the rating plate.

## Step 3: Choosing the washing program

Choose the program by rotating the program selector knob to the left or to the right (depending on the type of laundry and how heavily soiled it is). See PROGRAM TABLE.

The signal light next to the selected program lights up.



### INFORMATION!

During operation, the program selector knob will not rotate automatically.



### INFORMATION!

Washing programs are comprehensive programs that include all washing stages, including softening and spinning (this does not apply to Partial programs).



### INFORMATION!

Partial programs are independent programs. Use them when you feel you do not need the entire washing program.

## Program table

Program	Load	Spin speed	Program description
<b>Normal</b> Cold – Hot+	Full load	Max 1400 rpm	Program for normal, regular, or typical use for washing up to a full load of normally soiled cotton clothing. Incoming water temperature are cold and warm.  <i>The energy performance, water consumption, and capacity of household clothes washers was evaluated per CAN/CSA C360-13 Standard, and DOE test procedure methods specified at 10 CFR 430.23(j): 10 CFR Part 430, Subpart B, Appendix J2.</i>
<b>White</b> Warm – Hot+	Full load	Max 1400 rpm	Program for heavily soiled laundry, white or colors. The temperature can be set separately; therefore, observe the instructions indicated on the clothing worn directly on the skin. Spinning rate can be set to your preference. Program duration and amount of water will be adjusted to the amount of laundry.
<b>Color</b> Cold – Hot	Full load	Max 1400 rpm	Program for lightly to moderate dirty laundry. The temperature can be set separately; therefore, observe the instructions indicated on the clothing. Spinning rate can also be freely selected. Program duration and amount of water will be adjusted to the amount of laundry.
<b>Mixed Fabrics</b> <b>(Mixed laundry/Synthetics)</b> Cold – Hot	1/2 load	Max 1200 rpm	Washing program for delicate clothing made of synthetic and mixed fibres or viscose, and for simple care of cotton. Observe the instructions indicated on the clothing.
<b>Wool</b> Cold – Warm	1/4 load	Max 800 rpm	Gentle washing program for washing wool, silk, and clothes that require manual washing.
<b>Power Wash</b> Warm	1/2 load	Max 1400 rpm	Program for smaller amounts of lightly soiled laundry. The washing program includes intensive tumbling and maximum spinning rate. The program lasts 59 minutes. When using the <b>REDUCE TIME</b> function, the program lasts 32 minutes.
<b>Quick Wash</b> Warm	1/4 load	Max 1000 rpm	Program for smaller amounts of laundry just to refresh it.

Program	Load	Spin speed	Program description
<b>Sanitize Tub (Self-cleaning program)</b> Hot+	Empty drum		<p>This program is used for cleaning the drum and removing the residue of detergent and bacteria. To select the program, rotate the program selector knob to the left or to the right to the Sanitize Tub (Self-cleaning program) position. Other extra functions cannot be selected.</p> <p>The drum has to be empty. <b>Do not add detergent and softener!</b> You can add some distilled (spirit) vinegar (approx. 0,05 US gal lqd (2 dl)) or sodium bicarbonate (1 tablespoon, or 0,03 lb (15 g)) for effective descaling. We recommend running the program at least once a month.</p> <p>You can add the agents to the main wash compartment or to the drum.</p>
<b>Spin + Drain (Spinning rate   Drain) (Partial program)</b>	Full load	Max 1400 rpm	Use the program when you only wish to spin the laundry. If you only wish to pump out the water from the washing machine, press <b>SPIN</b> to select drain.
<b>Rinsing (Rinse&amp;Softening) (Partial program)</b>	Full load	Max 1400 rpm	<p>For softening, starching, or impregnating the washed laundry. It can also be used as a rinse program, but without added softener. It is completed with an additional rinse.</p> <p>You can also choose <b>HEAVY (EXTRA WATER)</b> by selecting the extra function (press <b>EXTRAS (ADDITIONAL FUNCTIONS)</b> before the start of the washing program).</p>
<b>Towels</b> Warm – Hot+	Full load	Max 1400 rpm	Use the program for washing large items such as bed sheets.
<b>Shirts - Perm. Press. (Shirts with steam)</b> Cold – Warm	1/2 load	Max 1200 rpm	<p>This program is intended for washing garments made of cotton, microfibres and synthetics; for washing collars and cuffs. The wash takes place at a low temperature, with a greater amount of water and gentle tumbling.</p> <p>To treat laundry with steam, press <b>EXTRAS (ADDITIONAL FUNCTIONS)</b> and select the <b>STEAM</b> function.</p>
<b>Active Wear (Sportswear)</b> Cold – Warm	1/4 load	Max 1200 rpm	Slightly soiled sportswear made of cotton, microfibers.
<b>Allergy Care</b> Warm – Hot+	Full load	Max 1400 rpm	Washing program is used to wash heavily soiled clothes that require special care, such as clothes for people with highly sensitive skin or skin allergies. We recommend turning the garments inside out, as this will also thoroughly wash out the skin and other residues.

Program	Load	Spin speed	Program description
<b>Daily Wash Warm</b>	1/2 load	Max 1400 rpm	Washing program automatically adjust the duration of the main wash and the number of rinses depending on the amount of laundry in the machine.

### Recommendations for detergents

Program	Detergent			
	Universal	For coloured laundry	For delicate laundry and wool	Special
Normal	✓	✓	—	—
White	✓	✓	—	—
Color	✓	✓	—	—
Mixed Fabrics (Mixed laundry/Synthetics)	—	✓	—	—
Wool	—	—	✓	✓
Power Wash Warm	—	✓	✓	—
Quick Wash	—	✓	—	—
Sanitize Tub (Self-cleaning program)	—	—	—	—
Spin + Drain (Spinning rate   Drain)	—	—	—	—
Rinsing (Rinse& Softening)	—	—	—	—
Towels	✓	✓	—	—
Shirts - Perm. Press. (Shirts with steam)	✓	✓	✓	✓
Active Wear (Sportswear)	—	✓	✓	—
Allergy Care	✓	✓	✓	—
Daily Wash	✓	✓	✓	—

✓ Recommendation

— No recommendation



### INFORMATION!

Noise and residual moisture content are affected by the spinning rate: the higher the spinning rate in the spin cycle, the higher the noise and the lower the residual moisture content.

**INFORMATION!**

Add powder or liquid detergents according to the manufacturer's instructions, considering the washing temperature, washing program, how soiled the laundry is, and water hardness.

In case of excessive foaming in the washing machine or leak of foam through the detergent dispenser tray, the washed laundry must be rinsed thoroughly with a large amount of water. Choose a washing program, but do not add any detergent.

**INFORMATION!**

Maximum amount of laundry in kg is indicated on the washing machine rating plate (see WASHING MACHINE DESCRIPTION/Technical information).

**INFORMATION!**

Maximum or nominal load applies to laundry prepared pursuant to the IEC 60456 standard.

**INFORMATION!**

For better washing effect, we recommend loading the drum to 2/3 when using the cotton programs.

**INFORMATION!**

Low water temperature, low mains voltage and different washing loads may affect the washing time; the remaining time displayed is adjusted accordingly during the washing process.

## Time optimization during the program progress

In the beginning stage of the washing program, the washing machine uses advanced technology to detect the amount of laundry. After load detection, the washing machine adjusts the program duration.

## Washing programs with steam

Adding steam during the last washing step loosens the laundry, slightly disinfects it, and eliminates some allergens. After using such a program, the laundry will be soft, supple, and fresh, and it will require less ironing.

The use of steam (press the position 8) also allows omitting or reducing the amount of conditioner. For a better steam effect on the laundry, we recommend half load.

## Step 4: Choosing the settings

Most programs include default settings that can be adjusted.

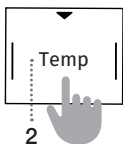
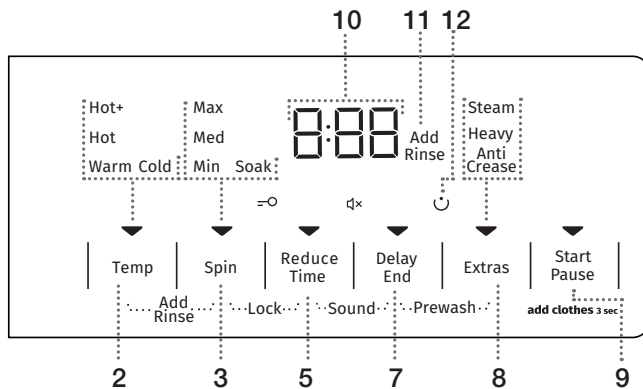
To change a setting, press the desired function button, then press **START/PAUSE**.

Functions that cannot be modified within the selected washing program will appear partly lit (dimmed).

Some settings are not available with certain programs; in these cases, the function indicator will remain unlit, and the button will flash when pressed (see Function Table).

Function indicators for the selected washing program are described below:

- **lit** (Basic/preset setting)
- **dimmed** (Functions that can be adjusted)
- **unlit** (Functions that cannot be selected)

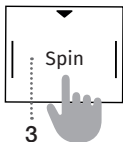


### TEMP (washing temperature)

Each program has a preset temperature.

To adjust the temperature for the selected program:

1. Press **TEMP** and the selected temperature will illuminate.



### SPIN (spinning speed/pump stop/drain)

Each program has a preset spin speed that can be adjusted (except for the Sanitize Tub / Self-Cleaning program).

To adjust the spinning speed:

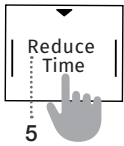
1. Pressing **SPIN**.

If you select the Drain function (without spinning), no indicator will illuminate, and the washing time will be shorter.

If you select [Pump stop], **SOAK** will appear on the display.

Use the **SOAK** function to let the laundry soak in the water from the last rinse cycle. This helps prevent creasing if you are unable to unload the washing machine immediately after the program ends.

You may set the desired spin speed before resuming the operation. To continue the program, press **START/PAUSE**. The water will drain, and the final spin cycle will start.

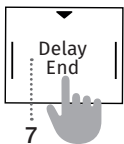


## REDUCE TIME (fast)

When the **REDUCE TIME** function is selected, the washing program will run with a shorter cycle duration. Depending on the selected program, there are two available choices.

When this function is selected, the indicator light will change from partly lit to fully lit, and the total program time shown on the display will adjust automatically.

- First press – **REDUCE TIME (FAST)**
- Second press – **SUPER REDUCE TIME (SUPER FAST)**
- Third press – **DEFAULT (DEFAULT)**



## DELAY END (delaying the end of the washing program)

Press **DELAY END** to delay the program completion time by up to 24 hours. To set **DELAY END**:

1. Select the desired program and any extra functions.
2. Press **DELAY END** to activate the function.
3. Press repeatedly to set the desired program completion time:
  - 30-minute increments up to 6 hours
  - 1-hour increments thereafter, up to 24 hours
4. Press **START/PAUSE** to begin the delayed program.

When the **DELAY END** function is set, the washing machine will count down the selected delay time. Once the countdown reaches the program start time, the washing program will start automatically.

To cancel or modify the delayed end:

- Rotate the program selector knob to the **OFF** position for at least 2 seconds.
- To quickly cancel the delay, press and hold **DELAY END** for 3 seconds. The washing program will resume immediately.

Example:

If it is currently 9 PM and you want the washing program to finish by 6 AM the next morning, set the **DELAY END** time to 9 hours.



### INFORMATION!

Some settings cannot be selected with certain programs. Such functions will not illuminate on the display. When the corresponding button is pressed, the unit will make a sound and the light on the button will flash (see **FUNCTION TABLE**).



### INFORMATION!

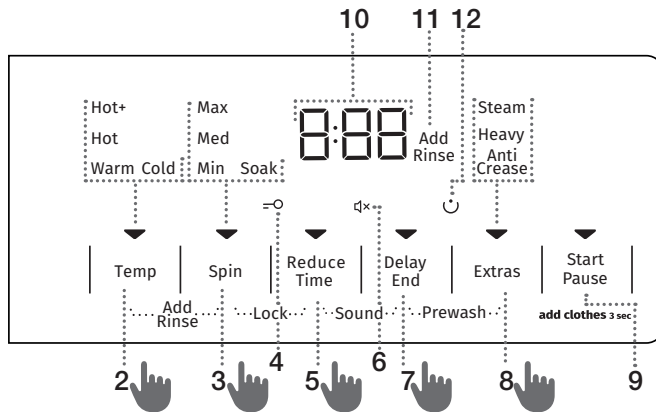
Activate/deactivate the functions by pressing the desired function (before pressing **START/PAUSE**). An indicator will light up next to the selected functions.



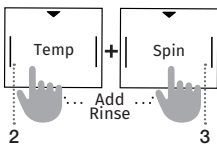
### INFORMATION!

If you have set the **DELAY END** function and you are using liquid detergent, we do not recommend setting a program without a prewash.

## Two button combination settings



When additional functions are available for the selected program the indicator below will partially light up.

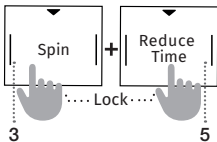


### ADD RINSE (additional rinses)

To activate Add Rinse:

1. Press and hold **TEMP** and **SPIN** for at least 3 seconds to select.
2. The display will show the extended program duration.

**NOTE:** The Add Rinse function can only be activated after selecting a wash program.



### LOCK (child lock)

The Child Lock is an additional safety feature that prevents accidental changes to the program, settings, or additional functions.

**To activate the child lock:**

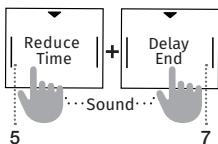
1. Press and hold **SPIN** and **REDUCE TIME** for at least 3 seconds.
2. The display will show a countdown timer.
3. Activation is confirmed by an acoustic signal and the Child Lock indicator light

**To deactivate the Child Lock:**

- Follow the same procedure

### IMPORTANT:

- While the Child Lock is active, programs, settings, and additional functions cannot be changed.
- The Child Lock remains active even after the washing machine is switched off.
- For safety reasons, the Child Lock does not prevent switching off the washing machine by turning the program selector knob to the **OFF** position.
- If the knob is turned to **OFF** while the Child Lock is active, the program is paused. To resume, rotate the program selector knob to the previous program and press **START/PAUSE**.
- To select a new program, the Child Lock must be deactivated first.



### SOUND (sound off)

This function allows you to mute all operation sounds.

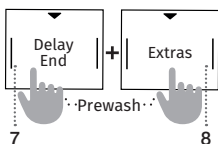
#### To turn off the sound:

1. Press and hold **REDUCE TIME** and **DELAY END** for at least 3 seconds.
2. The selection will be confirmed by an acoustic signal and by a signal light ( 🔊 ).

#### To reactivate the sound:

- Repeat the process.

**Note:** When the sound is turned off, there will be no audible signal at the end of the washing program.



### PREWASH

Use this function for heavily soiled laundry, especially items with stubborn or surface stains.

#### To activate the prewash function:

1. Select the desired washing program.
2. Press and hold **DELAY END** and **EXTRAS** for at least 3 seconds.
3. The extended program duration will appear on the display.

**Note:** The prewash function can only be activated after selecting a washing program.



#### INFORMATION!

If you select **PREWASH**, add the detergent into the prewash compartment.



#### INFORMATION!

When the washing machine is switched off, all additional functions return to their basic or custom settings, except for the acoustic signal setting.

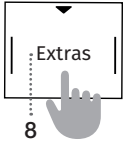
## Step 5: Selecting additional functions



### INFORMATION!

Activate/deactivate the functions by pressing the desired function (before pressing **START/PAUSE**).

Some settings cannot be selected with certain programs. Such functions will not be lit on the display unit, and when the corresponding button is pressed, an acoustic signal will sound and the light on the button will flash (see FUNCTION TABLE). The functions (indicator lights below them) that are available will be dimly (partially) lit.



### EXTRAS (ADDITIONAL FUNCTIONS)

Press **EXTRAS** once or multiple times to choose between the eight different functions (depending on the selected washing program):

- First press: **ANTI CREASE** (CREASE PREVENTION)
- Second press: **HEAVY** (EXTRA WATER)
- Third press: **STEAM** (STEAM)
- Fourth to eighth press: different combinations of these three functions.



### ANTI CREASE (CREASE PREVENTION)

To prevent creasing, select the **ANTI CREASE** function. Gentle tumbling will continue after the end of the washing program. The display will show [AC].

This function is recommended for delicate laundry.



### HEAVY (EXTRA WATER)

Use this function to increase water level in wash and rinse cycle for heavily soiled laundry.



### STEAM (STEAM)

Adding a 20-minute steam cycle at the end of the program will soften and disinfect your laundry, and reduce the need for ironing and using softener.

To deactivate a function at any time, press **START/PAUSE** or rotate the program selector knob to the **OFF** position.

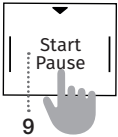
## Function table

Program	REDUCE TIME	SUPER REDUCE TIME	DELAY END	ADD RINSE	PREWASH	ANTI CREASE	HEAVY	STEAM	SPIN	RINSE&HOLD
<b>Normal</b> Cold – Hot+			•	•	•	•	•		•	•
<b>White</b> Cold – Hot+	•	•	•	•	•	•	•	•	•	•
<b>Color</b> Cold – Hot	•	•	•	•	•	•	•		•	•
<b>Mixed Fabrics</b> <b>(Mixed laundry/Synthetics)</b> Cold – Hot	•	•	•	•	•	•	•		•	•
<b>Wool</b> Cold – Warm	•	•	•		•	•			•	•
<b>Power Wash</b> Warm	•		•	•	•	•	•		•	•
<b>Quick Wash</b> Warm			•			•			•	•
<b>Sanitize Tub</b> <b>(Self-cleaning program)</b>			•					•		
<b>Spin + Drain</b> <b>(Spinning rate   Drain)</b> <b>(Partial program)</b>			•						•	
<b>Rinsing</b> <b>(Rinse&amp; Softening)</b> <b>(Partial program)</b>			•			•	•		•	•
<b>Towels</b> Cold – Warm	•	•	•	•	•	•	•	•	•	•
<b>Shirts - Perm. Press.</b> <b>(Shirts with steam)</b> Cold – Warm	•	•	•	•	•	•	•	•	•	•
<b>Active Wear</b> <b>(Sportswear)</b> Cold – Warm	•	•	•		•	•	•		•	•
<b>Allergy Care</b> Warm – Hot+	•	•	•	•	•	•	•	•	•	•
<b>Daily Wash</b> Warm – Hot+			•	•	•	•	•		•	•

•Additional functions can be used

## Step 6: Starting the washing program

Press **START/PAUSE**.



The time remaining until program completion or **DELAY END** time (if set) will appear on the display.

Indicators for the selected functions will illuminate.

After pressing **START/PAUSE**, the spinning rate can still be adjusted, except during the Sanitize Tub (Self-Cleaning). The **SPIN**, **LOCK**, and **SOUND** functions can also be adjusted. All other settings cannot be changed once the program has started.



### **INFORMATION!**

If the door is not closed properly, the time remaining will flash three times on the display and there will be an audible signal. To resume the washing program, close the door properly then press **START/PAUSE**.

## Step 7: End of the washing program

When the washing program ends, an acoustic signal will sound, and [End] will appear on the display. The washing machine will then enter low standby mode or switch off automatically. After approximately 5 minutes, the message will disappear from the display.

1. Open the washing machine door.
2. Take the laundry from the drum.
3. Wipe the rubber door gasket and the door glass.
4. Close the door.
5. Shut off the water supply tap.
6. Switch off the washing machine (rotate the program selector knob to the **OFF position**).
7. Unplug the power cord from the outlet.

# INTERRUPTIONS AND CHANGING THE PROGRAM

## Manual interruption

To stop and cancel a washing program:

1. Turn the program selector knob to the **OFF** position.
2. The signal lights will flash on the display, and the washing machine will automatically drain the water from the drum. Once the water has been completely pumped out, the door will unlock.

If the water inside the machine is hot, the washing machine will cool it down before draining to ensure safe operation.

## Personal settings

The default settings for each washing program can be customized.

1. After selecting your desired program and additional functions, press and hold **START/PAUSE** for 5 seconds (a countdown will appear on the display).
2. When the display shows [SAVED], your customized combination has been successfully stored.

The stored program will remain saved until changed using the same procedure.  
Personal settings can also be reset to factory defaults through the User Menu.

## AdaptTech

When a washing program setting is used three times in a row, this setting is stored as default and will always be suggested when you select that washing program – this is called the **ADAPTTECH** function. If you manually store the settings of a washing program, the **ADAPTTECH** function on this washing program is deactivated.

## Personal settings menu

To access the Personal Settings Menu:

1. Turn on the washing machine by rotating the program selector knob to any position.
2. Simultaneously press **TEMP** and **REDUCE TIME**.

The upper row of display lights will illuminate, and number 1 will appear to indicate the first setting function.

3. Rotate the program selector knob to select the desired function:
  - 1 – Sound settings
  - 2 – Additional rinses
  - 3 – Reset personal program settings to factory defaults
4. Press **SPIN** to confirm a setting or **TEMP** to go back one step.

If no selection is made within 20 seconds, the machine will automatically return to the main menu.

Acoustic signal volume can be adjusted to four levels:

- 0 – Sound off
- 1 – Button sound only
- 2 – Low volume
- 3 – High volume

Select the desired volume by rotating the program selector knob.

If no action is taken within 3 seconds, the display will automatically return to the main menu.

## Pause button

The washing program can be paused at any time.

1. Press **START/PAUSE** to pause the program temporarily.
2. To resume, close the door (if open) and press **START/PAUSE** again.

When the program is paused, the remaining time will flash on the display. The door will unlock once the water reaches a safe temperature or the drum is empty of water.

## Adding/removing laundry during washing machine operation

The washing machine door can be opened during operation if the water level and temperature are below predefined thresholds.

When the conditions below are met, the electronic door lock is released and [Add] will appear on the display unit:

- water temperature in the drum is safe
- water level in the drum is below a set value

To add or remove laundry:

1. Press and hold **START/PAUSE** for 3 seconds.
2. If all door lock conditions are met, open the door and add or remove laundry from the drum.
3. Close the door.
4. Press **START/PAUSE** to resume.



### INFORMATION!

Adding a large amount of laundry mid-cycle may reduce washing effectiveness. The machine initially senses a smaller load and adds less water. Insufficient water can cause damage (e.g., rubbing of dry laundry) and increase washing time.



### INFORMATION!

Washing time will resume from the point at which the program was paused.

## Errors

If an error or fault occurs, the program will be interrupted.

An acoustic signal will sound, and the error code will be displayed (E:XX). See the Troubleshooting and Error Table for details.

## Power supply failure

If a power failure occurs, the washing program is paused. When power is restored, the program resumes from the interruption point.

Upon completion of the cycle, [End/PF] will alternate on the display to indicate that a power interruption occurred and may have affected program execution.

## Opening the door (pause/cancel/change program)

Washing machine door can be opened, if the water level in the machine is low enough and if the water temperature is not excessively high.



### INFORMATION!

During a power failure or if the machine is unplugged, the door cannot be opened. Ensure the appliance is properly connected or contact a service technician.

## Displaying the number of completed wash cycles


(depending on the model)

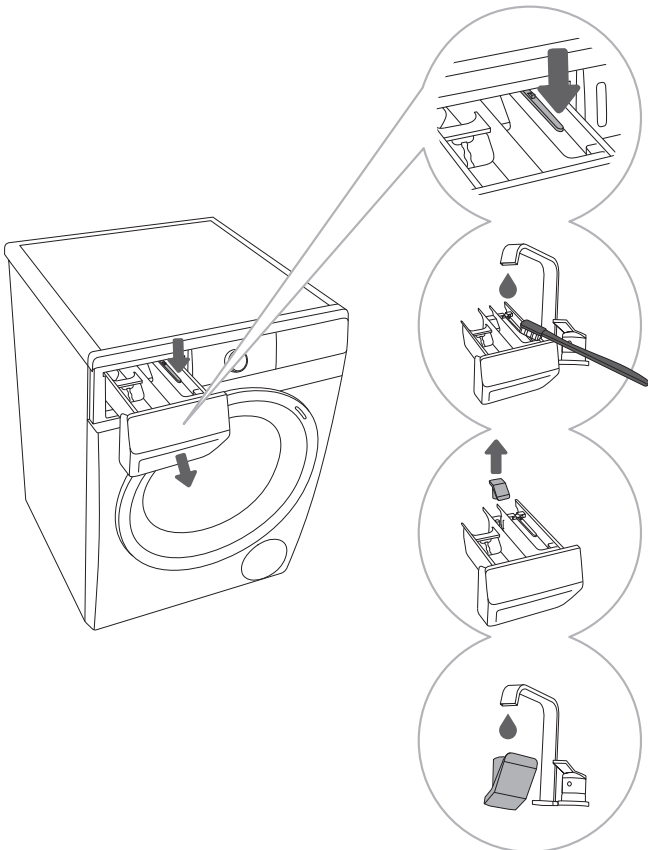
If the appliance is disconnected from the power supply for 10 seconds and then reconnected, the display will show the number of completed wash cycles for 3 seconds. Afterward, the appliance returns to standby mode.

# CLEANING AND MAINTENANCE

 **ELECTRIC SHOCK!**  
Before cleaning, unplug the washing machine from the power mains.

## Cleaning the dispenser tray

 **INFORMATION!**  
The dispenser tray should be cleaned at least twice per month.




**1** To remove the dispenser tray from the housing, press the small tab.

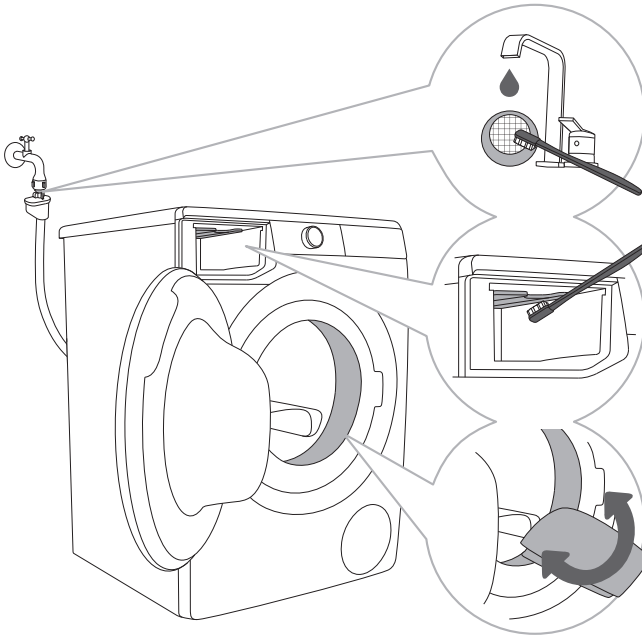
**2** Clean the dispenser tray under running water using a brush, and dry it. Ensure to remove any detergent residue from the bottom of the housing.

**3** If required, remove and clean the plug cap.

**4** Clean the plug cap under running water and replace it.

 **INFORMATION!**  
Do not wash the detergent compartment in the dishwasher!

# Cleaning the water supply hose, detergent dispenser housing, and rubber door gasket



.....  
**1** Clean the net filter often under running water.

.....  
**2** Use a brush to clean the entire washing machine rinsing section, especially the nozzles on the upper side of the rinsing chamber.

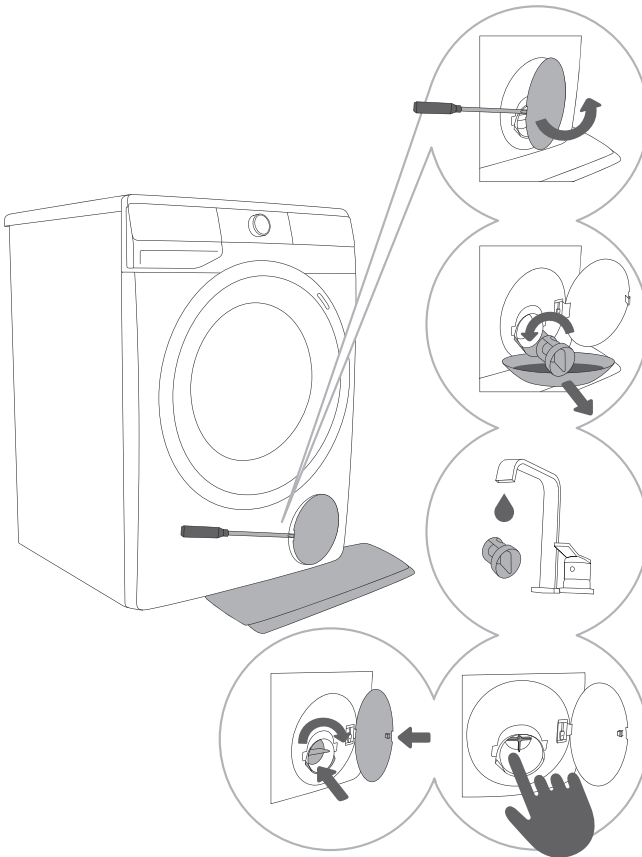
.....  
**3** After every wash, wipe the rubber door gasket and remove any objects that may have become stuck in the gasket to extend its useful life.

# Cleaning the pump filter



## INFORMATION!

During cleaning, some water may be spilled. It is therefore recommended to place an absorbent cloth on the floor.



**1** Open the pump filter cap using a suitable tool (flat screwdriver or a similar tool).

**2** Pull out the water outlet funnel before cleaning the pump filter. Rotate the pump filter slowly in the counter-clockwise direction. Pull out and remove the pump filter to allow the water to slowly drain.

**3** Clean the pump filter thoroughly under running water.

**4,5** Remove all and any objects and impurities from the filter housing and the pump propeller. Replace the pump filter as shown in the figure and fasten it by rotating in the clockwise direction. For a good seal, the filter gasket surface should be clean.



## INFORMATION!

We recommend regular cleaning of the pump filter once a month. Clean it more often when washing dirty or old fleecy, laundry.

## Cleaning the washing machine exterior



### **ELECTRIC SHOCK!**

**Always disconnect the washing machine from the power mains before cleaning.**

Clean the washing machine exterior and display unit using a soft damp cotton cloth and water.



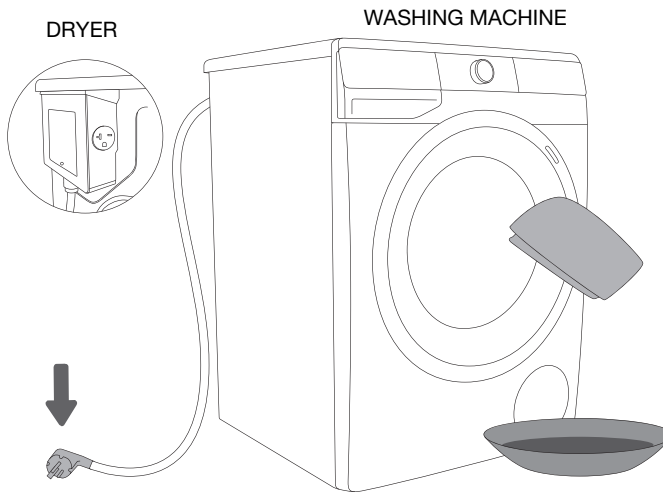
### **WARNING!**

Do not use any solvents or cleaning agents that could damage the washing machine (follow the recommendations and warnings provided by the cleaning agent manufacturers).



### **INFORMATION!**

Do not clean the washing machine with a jet of water!

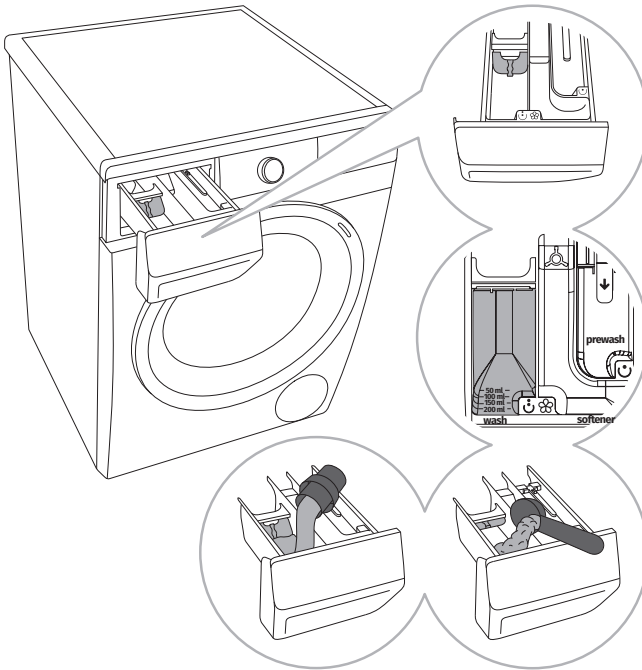


# RECOMMENDATIONS FOR WASHING AND ECONOMIC USE YOUR WASHING MACHINE

- Wash new colored garments separately the first time.
- Wash heavily soiled laundry in smaller amounts, with more powder detergent or with a prewash cycle.
- With slightly soiled laundry, we recommend a program without a prewash cycle, use of shorter programs (e.g. REDUCE TIME) and a lower washing temperature.
- Apply a special stain remover on stubborn stains before the wash.
- Do not use chlorine-based bleach, as it can cause damage to the heater.
- If you wash at low temperatures and/or with liquid detergents, there is a risk of developing microorganisms and an unpleasant odor in the washing machine. Leave the washing machine door open after each wash to allow the appliance to dry. If you detect an unpleasant odor, run the Sanitize Tub program.
- **To prevent and remove limescale deposits** only use agents with added anti-corrosion protection. Observe the cleaning agent manufacturer's instructions. To remove limescale deposits, we recommend starting the Sanitize Tub program. Add spirit vinegar (approx. 0,05 US gal lqd (2 dl)).
- Avoid washing very small loads, as this results in unnecessary energy consumption and reduced washing performance. For optimal efficiency, fill the washing machine up to the recommended capacity specified by the manufacturer for each program.
- At higher spinning rates, there will be less residual moisture in the laundry. As a result, drying in a tumble dryer will be more economical and faster.
- Loosen any folded laundry before placing them in the drum.
- If water hardness exceeds 250 p.p.m. (14°dH), water softener should be used. Heater damage resulting from incorrect use of water softeners is not covered by the warranty. Check the information on water hardness with your local water supply company or authority.

## Detergent compartment

Do not add hardened lumps of powder detergent into the detergent dispenser as this may clog the piping in the washing machine.



**1** A separator/divider tab is supplied with the washing machine, which allows adding liquid detergent to the main wash compartment (left compartment).

**2** Powder and liquid detergent level indicator.

**3** When using powder detergent, the separator/divider tab should be lifted.

**4** When using liquid detergent, the separator/divider tab should be lowered.

### Symbols of detergent dispenser compartments

	prewash
	main wash
	softening

## Detergents



### INFORMATION!

Detergents carrying the environment protection label are less harmful to the environment.

### Only add the detergents in compliance with the recommendations by detergent manufacturers.

Recommended amount of washing detergent at certain loads and water hardness levels are specified on the detergent packaging.

To correctly dose detergents, especially liquid ones, use the accessories provided by the detergent manufacturer.



### INFORMATION!

We recommend adding powder detergent immediately before the washing cycle. If you add it sooner, make sure the detergent compartment in the dispenser tray is completely dry before adding the powder detergent: otherwise, the powder detergent may cake before the start of the washing process.

## Suitable detergents

Only use detergents for machine washing.

When using thick liquid laundry care products, we recommend diluting them with water to prevent clogging the dispenser tray drain.

Liquid detergents are intended for washing programs without a prewash cycle.

You can use all modern detergents intended for household washing machines. The detergent packaging contains instructions for use and dosing, which apply to the maximum amount of filling.

The detergent dosage depends on:

- how heavily soiled the laundry is
- the amount of laundry and
- water hardness

Water hardness	Hardness levels			
	°dH (°N)	m mol/l	°fH (°F)	p.p.m.
1 – soft	< 8,4	< 1,5	< 15	< 150
2 – normal	8,4–14	1,5–2,5	15–25	150–250
3 – hard	> 14	> 2,5	> 25	> 250



### INFORMATION!

Check the information on water hardness with your local water supply company or authority.


## Dosing accessories

To correctly dose detergents, especially liquid ones, use the accessories provided by the detergent manufacturer.

## Softeners



### INFORMATION!

Pour the conditioner into the dispenser tray, into the compartment with the symbol . Observe the recommendation on the conditioner packaging.



### INFORMATION!

Do not fill the conditioner compartment over the max. indication (maximum indicated level). Otherwise, the conditioner will be added to the laundry too soon, leading to poorer washing effect.

## Stain removal tips

Before using special-purpose stain removers, try using the natural methods that do not harm the environment on less stubborn stains.

However, prompt action is required! Soak the stain with an absorbent sponge or a paper towel; then, rinse with cold (lukewarm) water – but never with hot water!

**When using bleaches or stain removal agents, there is danger of rust (corrosion) and discoloration.**

**WARNING!**

To protect the environment, we advise against using powerful chemicals.

<b>Stains</b>	<b>Stain removal</b>
<b>Mud</b>	When the stain is dry, first scrape it off the garment before washing it in the washing machine. If the stain is stubborn, soak it with an enzyme-based stain remover before the wash. If the stain is not stubborn, wash the laundry with liquid detergent or powder detergent and water before the wash.
<b>Antiperspirant</b>	Before washing in the washing machine, apply liquid detergent onto the laundry. Apply stain removers on any stubborn stains. Alternatively, use oxygen-based bleach for the wash.
<b>Tea</b>	Soak or rinse the laundry in cold water and add stain remover if necessary.
<b>Chocolate</b>	Soak or rinse the laundry with lukewarm soapy water. Then, apply lemon juice and rinse.
<b>Ink</b>	Before washing in the washing machine, apply stain removers on the stain. You may also use denatured alcohol. Turn the garment inside out and place a paper towel under the stain. Use the alcohol on the back side of the stain. At the end of the process, thoroughly rinse the garment.
<b>Felt tip pens</b>	Dilute some starch in water and apply it to the stain. When it dries, scrape it off with a brush; then, wash the garment in the washing machine.
<b>Baby food</b> (urine, mud, food stains)	Before washing in the washing machine, soak the stains in lukewarm water for at least half an hour. For easier stain removal, add an enzyme-based stain remover.
<b>Grass</b>	Before washing in the washing machine, soak the laundry in an enzyme-based stain remover. Grass stains can also be removed by soaking (for approx. 1 hour) in diluted lemon juice or distilled vinegar.
<b>Eggs</b>	Soak the garment in an enzyme-based stain remover. Soak in cold water for at least 30 minutes or a few hours if the stains are stubborn. Then, wash in the washing machine.
<b>Coffee</b>	Soak the garment in salt water. If the stain is not fresh, soak it with a mixture of glycerine, ammonia and alcohol.
<b>Shoe polish</b>	Apply cooking oil to the stain and rinse.
<b>Blood</b>	Fresh stain – rinse the garment with cool water and wash it in the washing machine. Dried stain – soak the garment in an enzyme-based stain remover. Then, wash in the washing machine. If the stain does not vanish, try to remove it with a bleach suitable for your garment.
<b>Glue, chewing gum</b>	Place the garment in a bag and put it in the freezer until the stain hardens. Then, remove it with a blunt knife. Then, dilute the stain with a prewash stain remover and rinse thoroughly. Then, wash the laundry as usual.
<b>Makeup</b>	Use a stain remover for the prewash; then, wash in the washing machine.
<b>Butter</b>	Before washing in the washing machine, apply stain remover to the stain. Then, rinse with hot water (as hot as the fabric will allow).
<b>Milk</b>	Soak the garment in an enzyme-based stain remover. Soak for at least 30 minutes or a few hours if the stains are stubborn. Then, wash in the washing machine.

Stains	Stain removal
<b>Fruit juice</b>	Apply a mixture of salt and water on the stain. Leave to take effect for a while, then rinse. You can apply sodium bicarbonate, distilled vinegar or lemon juice on the stain before washing in the washing machine. For old stains, use glycerine. After 20 minutes, rinse with cold water, then wash the laundry in the washing machine.
<b>Wine</b>	Soak the laundry in cold water for at least 30 minutes. Also, use a stain remover. Then, wash in the washing machine.
<b>Wax</b>	Put the garment into the freezer until the wax hardens. Then, scrape it off. Remove the remaining wax by placing a paper towel onto the stain, and then heat it with an iron until the paper absorbs the wax.
<b>Sweat</b>	Before washing in the washing machine, rub liquid detergent thoroughly into the stain.

## Low standby mode

If you do not run any program or choose any settings after switching on the washing machine (program selector knob), the display unit will be switched off after 5 minutes and switched to stand-by mode in order to save energy.

The display unit can be reactivated by rotating the program selector knob. If you do not do anything for 5 minutes after the end of a programme, the display unit will be switched off to save power.

$P_o$ = weighted power when off [W]	< 0,5
$P_I$ = weighted power when in standby [W]	< 0,5
$T_I$ = standby time [min]	5,00

# TROUBLESHOOTING


The washing machine will automatically control the operation of particular functions during the washing cycle. If any irregularity is identified, this will be indicated by reporting (E:XX) on the display. The washing machine will report the error until it is switched off. Disturbances from the environment (e.g. the power grid) may result in various error reports (see TROUBLESHOOTING AND ERROR TABLE).

In such case:

- Switch off the washing machine and wait for a few seconds.
- Switch on the washing machine and repeat the washing program.
- Most errors during operation can be resolved by the user (see TROUBLESHOOTING AND ERROR TABLE).
- If the error persists, call an authorized service unit.
- Repairs may only be carried out by an adequately trained person.

Errors indicated on the display unit may include the following:

<b>Problem/ Error</b>	<b>Indication on the display unit and problem description</b>	<b>What to do?</b>
<b>E:00</b>	<b>Incorrect settings</b>	Restart the program. If the error reoccurs, call a service technician.
<b>E:01</b>	<b>Temperature sensor error</b>	Inlet water too cold. Repeat the washing program. If the washing machine reports this error again, call a service technician.
<b>E:02</b>	<b>Door lock error</b>	If the acoustic signal sounds after pressing the <b>START/PAUSE</b> button, the door may not be closed properly. Ensure the washing machine door is closed.  Unplug the power cord from the outlet; then, plug it back into the outlet and switch the unit on.  If the error reoccurs, call a service technician.
<b>E:03</b>	<b>Water filling error</b>	Check the following: <ul style="list-style-type: none"> <li>• is the water inlet valve open</li> <li>• is the filter on the water inlet hose clean</li> <li>• is the water supply hose deformed (clipped, clogged etc.)</li> <li>• is the pressure in the water mains between 0.05 and 0.8 MPa (0.5–8 bar)</li> </ul> Then, press <b>START/PAUSE</b> to resume the program. If the error reoccurs, call a service technician.



<b>Problem/ Error</b>	<b>Indication on the display unit and problem description</b>	<b>What to do?</b>
<b>E:06</b>	<b>Water heating error</b>	Restart the program; if the error reoccurs, call a service technician.
 <b>E:07</b>	<b>Water draining error</b>	<p>Check the following:</p> <ul style="list-style-type: none"> <li>• is the pump filter clean</li> <li>• is the drain hose clogged</li> <li>• is the drain clogged</li> <li>• if the discharge hose placed is placed below the maximum and above the minimum height (see INSTALLATION AND CONNECTION/ Connecting and securing the water discharge hose)</li> </ul> <p>Press <b>START/PAUSE</b> again. If the error reoccurs, call a service technician.</p>
	<b>Excessive amount of detergent</b>	Too much detergent may cause excessive foaming in the drum. See description for [Fd]
<b>E:09</b>	<b>Water leak detected in the washing machine area</b>	<p>Turn off the washing machine and turn it back on.</p> <p>Inspect the exterior of the appliance. If you do not observe any leaks, you can continue to use the washing machine.</p>
<b>E:10</b>	<b>Water level sensor error</b>	<p>Unplug the power cord from the outlet then plug it back in. Then switch the unit on.</p> <p>Vent the appliance. Do this by draining and cleaning the filter and cleaning the wall-mounted trap.</p> <p>If the error reoccurs, call a service technician.</p>
<b>E:11</b>	<b>Water overflow</b>	<p>If the water in the drum exceeds the water level capacity and an error appears on the display, the program will stop, and the unit will pump out the water.</p> <p>Restart the program. If the error reoccurs, contact a service technician.</p> <p>If the washing machine continues to fill with water even after the water level exceeds the capacity and an error appears on the display, close the water tap and contact a service technician.</p>
	<b>Excessive amount of detergent</b>	Too much detergent may cause excessive foaming in the drum. See description for [Fd]

<b>Problem/ Error</b>	<b>Indication on the display unit and problem description</b>	<b>What to do?</b>
<b>E:12</b>	<b>Motor control error</b>	Manually redistribute the laundry (stuck or tangled laundry) and repeat the washing program.
<b>E:22</b>	<b>Error while locking the door</b>	The door is closed, but it cannot be locked. Switch off the washing machine. Switch it back on and restart the washing program. If the error reoccurs, call a service technician.
<b>E:23 E:24</b>	<b>Error while unlocking the door</b>	The door is closed, but it cannot be unlocked. Turn off the unit then turn it back on. If the error reoccurs, call a service technician.  To open the door, see INTERRUPTIONS AND CHANGING THE PROGRAM/Opening the door (pause/cancel/change program).
<b>E:36 E:37</b>	<b>Electronics communication failure in the washing machine</b>	Unplug the power cord from the outlet; then, plug the power cord back into the outlet and switch on the washing machine. If the error reoccurs, call a service technician.
<b>E:40</b>	<b>Warning from the system for detecting extended washing machine voltage fluctuation – 180 V &gt; U &gt; 260 V</b>	A prolonged drop of voltage below 180 V, or voltage in excess of 260 V was detected, which can affect the washing machine operation. Check the power supply network to which your washing machine is connected.
<b>E:41</b>	<b>Warning from the system for detecting incorrect power mains frequency (50/60 Hz)</b>	When the washing machine was switched on, the system detected incorrect supply power frequency, which could affect washing machine functionality. Any problems on the power network should be checked and corrected.

Warnings/information for the user, which can be indicated on the display unit, may include the following:

<b>Warning/ Information</b>	<b>Indication on the display unit</b>	<b>Error cause and description, what to do?</b>
<b>AC</b>	<b>ANTI CREASE (CREASE PREVENTION), function that you have selected as a part of the washing program is activated and in progress</b>	To cancel or stop the <b>ANTI CREASE (CREASE PREVENTION)</b> function, rotate the program selector knob to the <b>OFF</b> position (⏻).

Warning/ Information	Indication on the display unit	Error cause and description, what to do?
CLF	<b>Water drain system alert</b>	Alert about reduced water flow in the pumping stage. Check the following: <ul style="list-style-type: none"> <li>• is the pump filter clean</li> <li>• is the drain hose clogged</li> <li>• is the drain clogged</li> <li>• if the discharge hose placed is placed below the maximum and above the minimum height (see INSTALLATION AND CONNECTION/Connecting and securing the water discharge hose).</li> </ul>
CLn	<b>System warning to run the Sanitize Tub (Self-cleaning program)</b>  After the washing program is complete, the display will flash [CLn] & [End].	When the [CLn] warning appears on the display after a washing cycle, proceed as follows: <ul style="list-style-type: none"> <li>• clean the dosing container</li> <li>• clean the water supply hose, detergent dispenser, and rubber door gasket</li> <li>• clean the pump filter (see CLEANING AND MAINTENANCE)</li> <li>• Run the self-cleaning program (see WASHING STEPS (1-7)/3. Step: Program table).</li> </ul> Self-cleaning program is used to clean the drum and to remove detergent residues and bacteria. The drum must be empty. <b>Do not add detergent or softener.</b> You can add some spirit vinegar (approx. 0,05 US gal lqd (2dl)) or sodium bicarbonate (1 tablespoon or 0,03 lb (15g)) for effective descaling. We recommend that you use the program at least once a month or whenever the warning appears as [CLn] .
Fd	<b>Warning by the system for detecting excessive foaming during the washing program</b>	In case of excessive foaming in the washing machine or leak of foam through the detergent dispenser tray, the washed laundry has to be rinsed thoroughly with a large amount of water. Choose a washing program, but do not add any detergent. <ul style="list-style-type: none"> <li>• We recommend choosing the Rinsing (Rinse&amp;Softening) program.</li> <li>• Decrease the amount of detergent added.</li> </ul>

Warning/ Information	Indication on the display unit	Error cause and description, what to do?
PF	<b>Power supply failure warning</b>	The system detected a power supply failure during the washing program progress, which affected functional execution of the washing program. Check the power supply network.
PF End	<b>Power supply failure warning</b>	Upon completion of the washing cycle, and [End] & [PF] will alternate on the display unit. This informs the user about a power supply failure and on the effect on the execution of the washing program. The washing program continues where it was interrupted and then ends successfully.
U:Lo	<b>Warning – U:Lo (voltage below 180 V)</b>	A prolonged drop of voltage to below 180 V was detected, which can affect the washing machine operation. Check the power supply network.
	<b>Unresponsive display unit and all buttons</b>	Unplug the power cord from the outlet. Check if the supply voltage is suitable for the washing machine (220–240 V); then, plug the power cord back into the outlet and switch on the washing machine.
U:Hi	<b>Warning – U:Hi (voltage over 260 V)</b>	A prolonged voltage surge to over 260 V was detected, which can affect the washing machine operation. Check the power supply network.
	<b>Washing machine standing by, ready to resume the washing program.</b>  The time remaining until program completion flashes on the display.	To resume the washing program, press the <b>START/PAUSE</b> button.
	<b>Preparation for unlocking the door.</b> Signal lights will flash on the display.	Wait for the process to finish. If no errors appear on the display and a new cycle can run. Wait for the water has to drain completely for the door to unlock.



### INFORMATION!

**Noise and vibration** – ensure the appliance is leveled using the adjustable legs and that the jam nuts are securely tightened.

If you have checked the information above and you still need help with your appliance, call our Customer Service facility at **800-932-4267** (Ext. **513**) between 9:00 AM and 5:00 PM ET or visit our website [summitappliance.com/support](http://summitappliance.com/support) at any time. We will do our best to answer your questions.

To order replacement parts, visit our website: [summitapplianceparts.com](http://summitapplianceparts.com)

Unevenly distributed laundry or lumps of laundry in the washing machine drum can cause problems such as vibration and noisy operation. The washing machine detects such problems and the UKS\* (\*stability control system) will be activated.

Smaller loads (e.g. one towel, one sweater, one bathrobe etc.) or clothes made of materials with special geometrical properties are virtually impossible to distribute evenly across the washing machine drum (slippers, large items etc.). This results in several attempts to redistribute the laundry, which in turn leads to longer program duration. In extreme cases of unfavourable conditions, the program can be completed without the spinning cycle.

The UKS\* (\*stability control system) allows stable operation and a longer washing machine useful life.

If the problems persist despite observing the advice above, call an authorized service technician.



**WARNING!**

In case of a defect, only use approved spare parts by authorized manufacturers.



**WARNING!**

Repair or any warranty claim resulting from incorrect connection or use of the washing machine shall not be covered by the warranty. In such cases, the costs of repair shall be charged to the user.



**INFORMATION!**

The warranty does not cover consumables, minor deviations in colour, increased noise that results from appliance age and which does not affect the functionality of the appliance, and aesthetic defects on components, which do not affect the functionality and safety of the appliance.



**INFORMATION!**

The warranty does not cover the errors or failures resulting from disturbances from the environment (lightning strike, power grid failures, natural disasters etc.).



**INFORMATION!**

Some simple faults described in the chapter »TROUBLESHOOTING/Troubleshooting and error table« can be fixed by the user himself by taking into account the instructions without risk to their own safety and without affecting the warranty conditions.

## DISPOSAL

**Packaging** is made of environmentally friendly materials that can be recycled, disposed of, or destroyed without any hazard to the environment. To this end, packaging materials are labelled appropriately.



**The symbol** on the product or its packaging indicates that the product should not be treated as normal household waste. Take the product to an authorized collection centre for waste electric and electronic equipment processing.

When **disposing** of the dryer at the end of its useful life, remove all power cords, and destroy the door latch and switch to prevent the door from locking or latching (child safety).

Correct **disposal** of the product will help prevent any negative effects on the environment and health of people, which could occur in case of incorrect product removal. For detailed information on removal and processing of the product, please contact the relevant municipal body in charge of waste management, your waste disposal service, or the store where you bought the product.

## LIMITED WARRANTY

### ONE-YEAR LIMITED WARRANTY

Warranty coverage is available within the 48 contiguous United States, along with select areas of Alaska, Hawaii, and Canada. For locations not covered, consumers can either contact a local provider or coordinate with Felix Storch, Inc. to find nearby service options, which may qualify for partial reimbursement.

The warranty for this appliance is valid for one year from the date of purchase, provided the appliance is operated and maintained according to the instructions included with the product. The warrantor will cover the cost of factory-specified parts and repair labor needed to correct defects in materials or workmanship. Service must be performed by a designated service company.

All parts, except the compressor, are warranted for one year against manufacturing defects. Plastic parts, shelves, and cabinets are produced to commercially acceptable standards but are not covered for damages incurred during handling or for breakage.

### ITEMS WARRANTOR WILL NOT PAY FOR:

1. Service calls to correct the installation of your appliance, to instruct you how to use your appliance, to replace or repair fuses or to correct wiring or plumbing.
2. Service calls to repair or replace appliance light bulbs or broken shelves. Consumable parts (such as filters) are excluded from warranty coverage.
3. Damage resulting from accident, alteration, misuse, abuse, fire, flood, acts of God, improper installation, installation not in accordance with electrical or plumbing codes, or use of products not approved by warrantor.
4. Replacement parts or repair labor costs for units operated outside the 48 contiguous United States, along with select areas of Alaska, Hawaii, and Canada.
5. Repairs to parts or systems resulting from unauthorized modifications made to the appliance.
6. Expenses for travel and transportation for product service in remote locations.
7. The removal and reinstallation of your appliance if it is installed in an inaccessible location or is not installed in accordance with published installation instructions.

### DISCLAIMER OF IMPLIED WARRANTIES; LIMITATION OF REMEDIES

CUSTOMER'S SOLE AND EXCLUSIVE REMEDY UNDER THIS LIMITED WARRANTY SHALL BE PRODUCT REPAIR AS PROVIDED HEREIN. IMPLIED WARRANTIES, INCLUDING WARRANTIES OF MERCHANTABILITY OR FITNESS FOR A PARTICULAR PURPOSE, ARE LIMITED TO ONE YEAR. WARRANTOR SHALL NOT BE LIABLE FOR INCIDENTAL OR CONSEQUENTIAL DAMAGES. SOME STATES DO NOT ALLOW THE EXCLUSION OR LIMITATION OF INCIDENTAL OR CONSEQUENTIAL DAMAGES, OR LIMITATIONS ON THE DURATION OF IMPLIED WARRANTIES OF MERCHANTABILITY OR FITNESS, SO THESE EXCLUSIONS OR LIMITATIONS MAY NOT APPLY TO YOU. THIS WARRANTY GIVES YOU SPECIFIC LEGAL RIGHTS AND YOU MAY ALSO HAVE OTHER RIGHTS, WHICH VARY FROM STATE TO STATE.



**WARNING: This product can expose you to chemicals including Nickel (Metallic) which is known to the State of California to cause cancer.**

**For more information go to [www.P65Warnings.ca.gov](http://www.P65Warnings.ca.gov)**

Note: Nickel is a component in all stainless steel and some other metallic compositions.



**Felix Storch, Inc.**

An ISO 9001:2015 registered company

770 Garrison Ave

Bronx, New York 10474

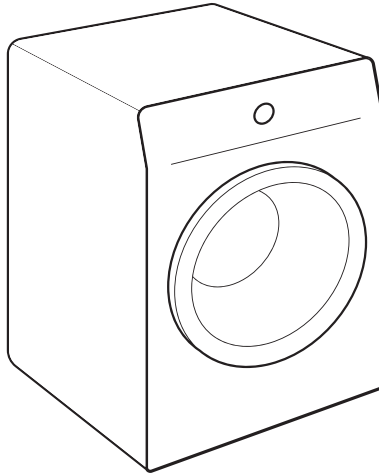
[www.summitappliance.com](http://www.summitappliance.com)

**Revised: 2026-04-08**



## MACHINE À LAVER

Manuel d'Utilisation



Modèles:

**SLW343 | LBW243**

**AVANT UTILISATION, VEUILLEZ LIRE ET SUIVRE TOUTES LES CONSIGNES DE  
SÉCURITÉ ET LES INSTRUCTIONS D'UTILISATION**

Numéro de Modèle:

Numéro de Série:

**Felix Storch, Inc.**

Entreprise certifiée ISO 9001:2015

770 Garrison Avenue

Bronx, NY 10474

[www.summitappliance.com](http://www.summitappliance.com)

Cette machine à laver est exclusivement destinée à un usage domestique. Veuillez ne pas l'utiliser pour du linge portant la mention ne convient pas au lavage en machine.

Les symboles suivants sont utilisés dans tout le manuel et ont les significations suivantes :



**INFORMATION!**

Information, conseil, astuce ou recommandation



**AVERTISSEMENT!**

Avertissement – danger général



**CHOC ÉLECTRIQUE!**

Avertissement –risque de choc électrique



**SURFACE CHAUDE!**

Avertissement –danger de surface chaude



**DANGER D'INCENDIE!**

Avertissement – risque d'incendie



Il est important de lire attentivement les instructions.

# Contents

INSTRUCTIONS DE SÉCURITÉ IMPORTANTES .....	5
SÉCURITÉ DES ENFANTS .....	6
DANGER DE SURFACE CHAUDE .....	6
DESCRIPTION DU LAVE-LINGE .....	7
Caractéristiques techniques .....	7
Commande tactile .....	8
INSTALLATION ET RACCORDEMENT .....	10
Retrait des tiges de blocage .....	10
Déplacement et transport après installation .....	10
Choix de la pièce .....	11
Réglage des pieds du lave-linge .....	11
Emplacement du lave-linge .....	12
Dégagements nécessaires pour l'installation du lave-linge .....	13
Installation dans un placard – Exigences de ventilation .....	14
Raccordement à l'alimentation en eau .....	15
Raccordement et fixation du tuyau d'évacuation de l'eau .....	16
Raccordement de l'appareil au réseau électrique .....	17
Connexions électriques .....	18
AVANT LA PREMIÈRE UTILISATION DE L'APPAREIL .....	19
PROCESSUS DE LAVAGE, ÉTAPE PAR ÉTAPE (1–7) .....	20
Étape 1 : Respecter les étiquettes du linge .....	20
Étape 2 : Préparation du processus de lavage .....	21
Mise en marche du lave-linge .....	21
Chargement du lave-linge .....	22
Étape 3 : Choix du programme de lavage .....	21
Tableau des programmes .....	23
Optimisation du temps pendant le déroulement du programme .....	26
Programmes de lavage avec vapeur .....	26
Étape 4 : Choix des réglages .....	27
Réglage par combinaison de deux boutons .....	29
Étape 5 : Sélection des fonctions supplémentaires .....	31
Tableau des fonctions .....	32
Étape 6 : Démarrage du programme de lavage .....	33
Étape 7 : Fin du programme de lavage .....	33
INTERRUPTIONS ET MODIFICATION DU PROGRAMME .....	34
Interruption manuelle .....	34
Réglages personnels .....	34
AdaptTech .....	34
Menu des réglages personnels .....	34
Bouton pause .....	35
Ajout/retrait du linge pendant le fonctionnement du lave-linge .....	35
Erreurs .....	35
Panne d'alimentation électrique .....	35
Ouverture de la porte (pause/annulation/modification du programme) .....	35
Affichage du nombre de cycles de lavage effectués .....	35

NETTOYAGE ET ENTRETIEN .....	36
Nettoyage du bac à détergent .....	36
Nettoyage du tuyau d'alimentation en eau, du logement du distributeur de détergent et du joint de porte .....	37
Nettoyage du filtre de la pompe .....	38
Nettoyage de l'extérieur du lave-linge .....	39
RECOMMANDATIONS POUR LE LAVAGE ET UNE UTILISATION ÉCONOMIQUE DU LAVE-LINGE .....	40
Conseils pour l'élimination des taches .....	42
Mode veille à faible consommation .....	44
DÉPANNAGE .....	45
MISE AU REBUT .....	50
GARANTIE LIMITÉE .....	51



## CONSIGNES DE SÉCURITÉ IMPORTANTES



### CONSERVEZ CES INSTRUCTIONS POUR CONSULTATION ULTÉRIEURE

Lisez attentivement le mode d'emploi avant d'utiliser le lave-linge.

N'utilisez pas le lave-linge sans avoir lu et compris ces instructions avant la première utilisation.

Ce mode d'emploi est fourni avec différents types et modèles de lave-linge. Il peut donc contenir des descriptions de réglages ou d'équipements non disponibles sur votre appareil.

Le non-respect du mode d'emploi ou une utilisation inappropriée du lave-linge peut endommager le linge ou l'appareil, ou blesser l'utilisateur. Conservez le mode d'emploi à proximité du lave-linge.

**Votre lave-linge est conçu exclusivement pour un usage domestique.** Si le lave-linge est utilisé à des fins professionnelles, lucratives ou pour un usage dépassant le cadre d'une utilisation domestique normale, ou s'il est utilisé par une personne qui n'est pas un consommateur, la période de garantie sera égale à la période de garantie minimale prévue par la législation en vigueur.

Suivez les instructions pour une installation correcte du lave-linge et son raccordement à l'eau et à l'électricité (voir la section INSTALLATION ET RACCORDEMENT).

- Le raccordement à l'eau et à l'électricité doit être effectué par un technicien qualifié.
- Toute réparation ou maintenance relative à la sécurité ou au fonctionnement de l'appareil doit être effectuée par un technicien qualifié.
- Pour éviter tout danger, un **cordon d'alimentation endommagé** ne peut être remplacé que par le fabricant, un technicien agréé ou une personne autorisée.
- **Avant de brancher le lave-linge, attendez au moins 2 heures qu'il atteigne la température ambiante.**
- En cas de panne, utilisez uniquement des pièces détachées homologuées par le fabricant. Pour commander des pièces de rechange, rendez-vous sur notre site web : **summitapplianceparts.com**
- N'utilisez pas de pièces détachées non recommandées par le fabricant (par exemple, des pièces fabriquées à domicile à l'aide d'une imprimante 3D).
- En cas de branchement incorrect, d'utilisation incorrecte ou d'intervention d'une personne non autorisée sur le lave-linge, les dommages seront à la charge de l'utilisateur et ne seront pas couverts par la garantie.
- Il est interdit de brancher le lave-linge à l'aide d'une rallonge.
- Ne branchez pas la machine à laver au secteur à l'aide d'un dispositif de commutation externe tel qu'une minuterie, ni à un réseau électrique dont la mise sous tension et hors tension est régulièrement assurée par le fournisseur d'électricité.
- Certaines pièces internes ne sont pas mises à la terre et peuvent présenter un risque d'électrocution uniquement lors de la maintenance. Personnel de maintenance : ne touchez pas les pièces suivantes lorsque l'appareil est sous tension : moteur, pompe et unité de commande.
- **N'installez pas la machine à laver dans une pièce où la température peut descendre en dessous de 5 °C (41 °F),** car certaines pièces pourraient être endommagées par le gel.

- Les ouvertures de ventilation situées à la base de la machine à laver ne doivent pas être obstruées par un tapis.
- Placez la machine à laver sur une surface plane, stable et solide (en béton).
- **Avant la première utilisation de la machine à laver, retirez les tiges de blocage,** car la mise en marche d'une machine bloquée peut entraîner des dommages importants (voir « Retrait des tiges de blocage » dans la section INSTALLATION ET BRANCHEMENT). La garantie sera annulée en cas de tels dommages.
- **Pour raccorder la machine à laver à l'arrivée d'eau,** utilisez impérativement le tuyau d'alimentation et les joints fournis. La pression de l'eau doit être comprise entre **0.05 et 0.8 MPa** (0.5 à 8 bar).
- Utilisez toujours un tuyau d'alimentation neuf pour raccorder la machine à laver à l'arrivée d'eau; ne réutilisez pas un tuyau usagé.
- L'extrémité du tuyau d'évacuation doit être raccordée à la canalisation d'évacuation des eaux usées.
- Avant de démarrer le cycle de lavage, appuyez sur le couvercle à l'endroit indiqué jusqu'à ce qu'il se verrouille. Le couvercle ne peut pas être ouvert pendant le fonctionnement de la machine.
- **Nous vous recommandons d'éliminer les impuretés du tambour avant le premier lavage** à l'aide du programme « Nettoyage du tambour » (voir le TABLEAU DES PROGRAMMES).
- **Après le cycle de lavage, fermez le robinet d'eau et débranchez la machine à laver.**
- Nettoyez le filtre de la pompe dès que le symbole correspondant apparaît sur l'écran.
- Utilisez la machine à laver uniquement pour laver le linge, conformément aux instructions du manuel d'utilisation. Cette machine n'est pas conçue pour le nettoyage à sec.
- Utilisez uniquement des produits d'entretien pour lave-linge et pour le linge. Nous déclinons toute responsabilité en cas de dommages ou de décoloration des joints et des pièces en plastique résultant d'une utilisation incorrecte de produits blanchissants ou colorants.
- **Pour le détartrage,** utilisez uniquement des produits détartrants avec protection anticorrosion. (Utilisez uniquement des produits détartrants non corrosifs.) Suivez les instructions du fabricant. Terminez le détartrage par plusieurs rinçages ou en lançant le programme d'autonettoyage de la cuve afin d'éliminer tout résidu acide (par exemple, vinaigre)



#### DANGER D'INCENDIE!

N'utilisez pas de détergents contenant des solvants, car cela pourrait entraîner le dégagement de gaz toxiques, endommager la machine à laver et présenter un risque d'incendie et d'explosion.

- Aucun ion d'argent n'est libéré pendant le programme de lavage.
- Cet appareil n'est pas destiné à être utilisé par des personnes (y compris les enfants) dont les capacités physiques, sensorielles ou cognitives sont réduites, ou par des personnes manquant d'expérience et de connaissances, à moins qu'elles ne soient sous la surveillance d'un adulte responsable ou qu'elles n'aient reçu des instructions concernant l'utilisation de l'appareil.

- **La garantie ne couvre pas les consommables**, les légères variations de couleur, l'augmentation du bruit due à l'âge de l'appareil et n'affectant pas son fonctionnement, ni les défauts esthétiques des composants qui n'affectent pas le fonctionnement et la sécurité de l'appareil.
- **Le lave-linge doit être utilisé uniquement avec le cordon d'alimentation fourni.**

## SÉCURITÉ DES ENFANTS

- Avant de fermer la porte du lave-linge et de lancer un cycle, assurez-vous qu'il ne reste que du linge dans le tambour (par exemple, si un enfant est entré dans le tambour et a fermé la porte de l'intérieur).
- **Pour activer la sécurité enfant**, consultez la section « Sécurité enfant » dans le chapitre « CHOIX DES RÉGLAGES ».
- **Ce lave-linge est conforme à toutes les normes de sécurité en vigueur.**
- Ce lave-linge peut être utilisé par des enfants de 8 ans et plus, ainsi que par des personnes ayant des capacités physiques, sensorielles ou cognitives réduites, ou un manque d'expérience et de connaissances, à condition qu'ils soient surveillés pendant son utilisation, qu'ils aient reçu les instructions nécessaires concernant son utilisation en toute sécurité et qu'ils comprennent les risques liés à une utilisation inappropriée.
- Les enfants ne sont pas autorisés à nettoyer le lave-linge ni à effectuer des opérations d'entretien sans surveillance.

### ATTENTION!

- Ne laissez pas les enfants de moins de trois ans s'approcher de l'appareil, sauf s'ils sont sous surveillance constante.
- Assurez-vous que les enfants ne jouent pas avec l'appareil.
- Gardez la lessive et l'après-shampooing hors de portée des enfants.

## DANGER DE SURFACE CHAUDE

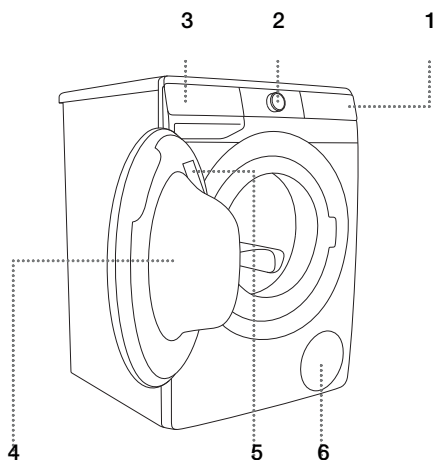
### SURFACE CHAUDE!

À des températures de lavage élevées, la porte vitrée chauffe. Soyez prudent pour éviter les brûlures. Veillez à ce que les enfants ne jouent pas près de la porte vitrée.

### AVERTISSEMENT!

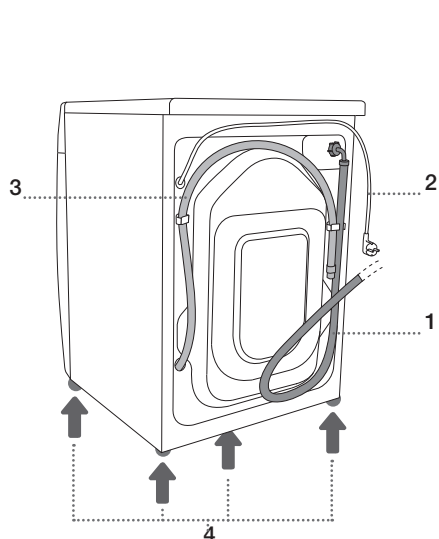
Si le niveau d'eau dans l'appareil dépasse le niveau normal, la protection contre le débordement d'eau se déclenche. L'arrivée d'eau est coupée et l'appareil commence à évacuer l'eau. Le programme est interrompu et un message d'erreur s'affiche (voir le TABLEAU DE DÉPANNAGE).

# DESCRIPTION DE LA MACHINE À LAVER



## DEVANT

1. Commande Tactile
2. Bouton Marche/Arrêt Et Sélecteur De Programme
3. Plateau Distributeur
4. Porte
5. Plaque Signalétique
6. Filtre De Pompe



## DOS

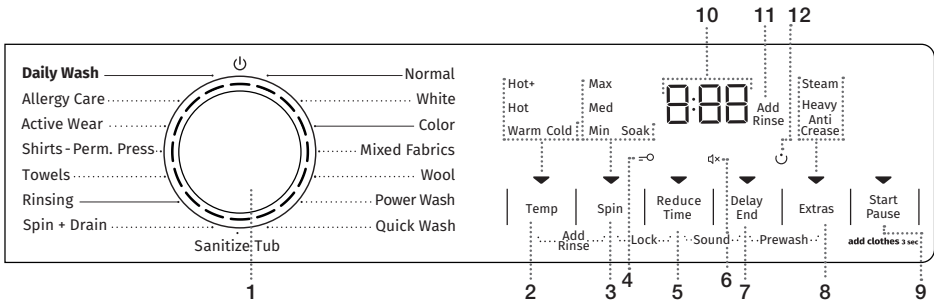
1. Tuyau d'Alimentation en Eau
2. Cordon d'Alimentation
3. Tuyau d'Évacuation d'Eau
4. Pieds Réglables

## Spécifications Techniques

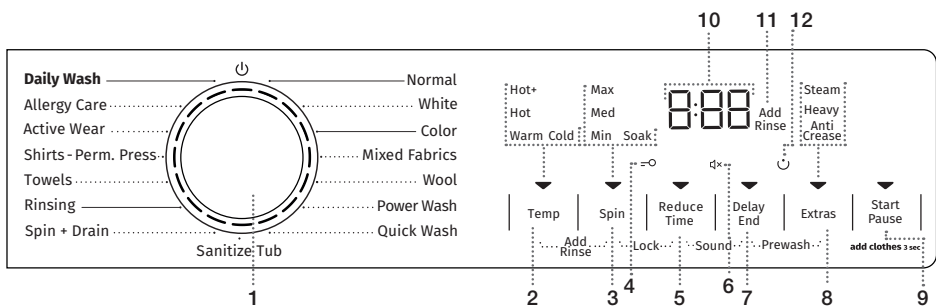
La plaque signalétique contenant les informations de base sur la machine à laver se trouve à l'intérieur de la porte de la machine à laver (voir DESCRIPTION DE LA MACHINE À LAVER).

<b>Charge maximale</b>	Voir la plaque signalétique
<b>Largeur</b>	23½" (600 mm)
<b>Hauteur</b>	33½" (850 mm)
<b>Profondeur de la machine à laver (a)</b>	24" (610 mm)
<b>Profondeur porte fermée</b>	25½" (640 mm)
<b>Profondeur avec porte ouverte (b)</b>	44½" (1125 mm)
<b>Tension nominale</b>	Voir la plaque signalétique
<b>Puissance nominale</b>	Voir la plaque signalétique
<b>Connexion</b>	Voir la plaque signalétique
<b>Pression de l'eau</b>	Voir la plaque signalétique
<b>Actuel</b>	Voir la plaque signalétique
<b>Fréquence</b>	Voir la plaque signalétique

# Commande Tactile



1	<p>Bouton <b>ON/OFF</b> et <b>PROGRAM SELECTOR KNOB</b> du lave-linge.          Pour <b>allumer</b> le lave-linge, tournez le sélecteur de programme vers la gauche ou vers la droite.          Pour <b>éteindre</b> le lave-linge, tournez le sélecteur de programme sur la position <b>OFF</b>.          Pour <b>sélectionner</b> un programme de lavage, tournez le sélecteur vers la gauche ou vers la droite. Le voyant à côté du programme sélectionné s'allume.</p>
2	<p><b>TEMP (TEMPÉRATURE DE LAVAGE)</b>          Possibilité de régler la température de lavage <b>HOT+</b> (très chaud), <b>HOT</b>, <b>WARM</b>, <b>COLD</b>.          Lorsque l'appareil est allumé, le voyant s'allume. ▼</p>
3	<ul style="list-style-type: none"> <li>• <b>SPIN (VITESSE DE ROTATION)</b>              Option permettant de régler la vitesse d'essorage <b>MAX</b> (Maximum), <b>MED</b> (Medium), <b>MIN</b> (Minimum).</li> <li>• <b>SOAK</b> – Arrêt de la pompe</li> <li>• <b>DRAIN</b> – Pas d'éclairage</li> </ul> <p>Lorsque l'appareil est allumé, le voyant s'allume. ▼</p>
2+3	<p><b>ADD RINSE</b>          Possibilité d'ajouter deux rinçages supplémentaires.          Appuyez et maintenez enfoncés les boutons <b>TEMP</b> et <b>SPIN</b> (2 et 3) pendant 3 secondes.</p>
4	<p><b>CHILD LOCK</b> - Symbole de verrouillage enfant (voyant) =○</p>
5	<p><b>REDUCE TIME (RAPIDEMENT)</b>          Possibilité de régler une durée de programme de lavage plus courte.          Lorsque l'appareil est allumé, le voyant s'allume. ▼</p>
3+5	<p><b>Child lock ON/OFF (Verrouillage)</b>          Appuyez et maintenez <b>SPIN</b> et <b>REDUCE TIME</b> (3 &amp; 5) pendant 3 secondes.</p>
6	<p><b>SOUND OFF</b> - Symbole SON COUPÉ (voyant) ☒x</p>
7	<p><b>DELAY END (RETARDER LA FIN DU PROGRAMME DE LAVAGE)</b>          Possibilité de régler l'heure de fin du programme de lavage.          Lorsque l'appareil est allumé, le voyant s'allume. ▼</p>
5+7	<p><b>SOUND ON/OFF</b> ☒x          Appuyez et maintenez <b>REDUCE TIME</b> et <b>DELAY END</b> (5 &amp; 7) pendant 3 secondes.</p>
8	<p><b>EXTRAS (FONCTIONS SUPPLÉMENTAIRES)</b></p> <ul style="list-style-type: none"> <li>• <b>STEAM (VAPEUR)</b>              Option permettant d'activer la fonction de rafraîchissement du linge.</li> </ul>



8	<ul style="list-style-type: none"> <li>• <b>HEAVY (EAU SUPPLÉMENTAIRE)</b> Option permettant de régler un niveau d'eau plus élevé.</li> <li>• <b>ANTI CREASE (CREASE PREVENTION)</b> Option pour activer la fonction de lavage délicat.</li> </ul> <p>Lorsque l'appareil est allumé, le voyant s'allume. ▼</p>
7+8	<p><b>ON/OFF PREWASH (PRÉLAVAGE)</b> Appuyez et maintenez <b>END DELAY</b> et <b>EXTRAS</b> (7 et 8) pendant 3 secondes.</p>
9	<p><b>START/PAUSE</b> Ce bouton possède 4 fonctions:</p> <ul style="list-style-type: none"> <li>• <b>START</b> – démarrer le programme (appuyez une fois sur le bouton pour démarrer le programme)</li> <li>• <b>PAUSE</b> – mettre le programme en pause (appuyez à nouveau sur le bouton pour interrompre l'opération)</li> <li>• <b>ADD CLOTHES</b> – ajouter des vêtements dans le tambour pendant le programme de lavage (maintenir la pression pendant 3 secondes)</li> <li>• <b>SAVING PERSONAL SETTINGS</b> (appuyez et maintenez enfoncé pendant 5 secondes)</li> </ul> <p>Lorsque l'appareil est allumé, le voyant s'allume. ▼</p>
10	<p>Ce qui suit est affiché sur le <b>DISPLAY UNIT</b>:</p> <ul style="list-style-type: none"> <li>• Fonctions disponibles</li> <li>• Temps restant avant la fin du programme</li> <li>• Informations destinées à l'utilisateur</li> </ul>
11	<p>Fonction <b>ADD RINSE</b> (voyant)</p>
12	<p><b>PREWASH</b> - Symbole de PRÉLAVAGE (voyant) ☺</p>

# INSTALLATION ET RACCORDEMENT



## INFORMATION!

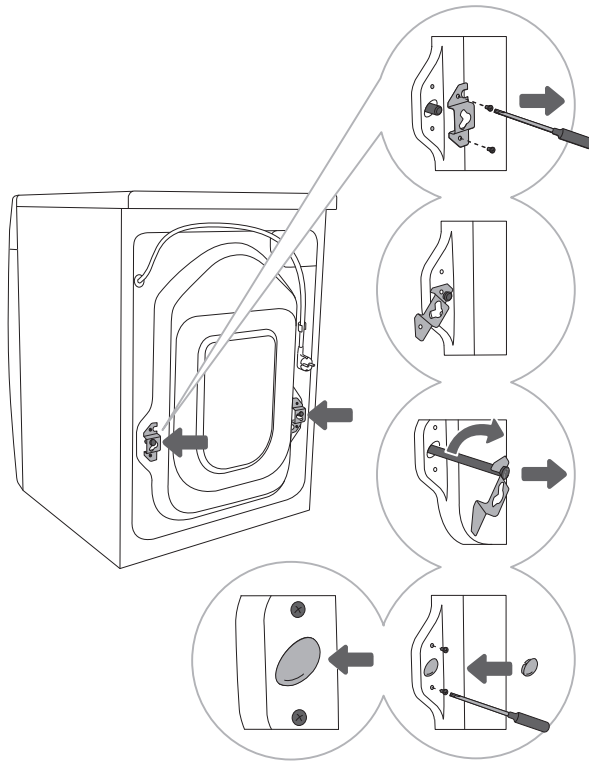
Retirez tous les matériaux d'emballage. Faites attention à ne pas endommager l'appareil avec des objets pointus lors du déballage..

## Retrait des tiges de blocage



### AVERTISSEMENT!

Avant la première utilisation de l'appareil, les barres de transport doivent être retirées. Une machine à laver bloquée risque d'être endommagée lors de sa première mise en marche. La garantie sera annulée en cas de tels dommages!



**1**

Déplacez les tuyaux et dévissez les vis à l'arrière de la machine à laver.  
Retirez les deux pièces angulaires.

**2**

Faites glisser les pièces angulaires sur la rainure de la tige de blocage ; avant cela, faites pivoter la pièce angulaire droite du côté opposé.

**3**

Utilisez les pièces angulaires faire pivoter les tiges de blocage de 90° et les retirer.

**4**

Bouchez les deux trous par lesquels les tiges de blocage ont été insérées avec des bouchons en plastique, et remettez les vis que vous avez dévissées à l'étape 1.

Les bouchons en plastique sont fournis dans le sachet contenant le manuel d'utilisation de la machine à laver.

## Déplacement et transport après installation



### INFORMATION!

Si vous souhaitez déplacer le lave-linge après son installation, les équerres et au moins une barre de blocage doivent être remises en place afin d'éviter tout dommage dû aux vibrations pendant le transport (voir INSTALLATION ET RACCORDEMENT/Retrait des barres de blocage). Les équerres et les barres de blocage peuvent être commandées séparément.

## Choisir la chambre



### INFORMATION!

La machine à laver doit être placée sur un sol en béton propre et sec, sinon elle risque de glisser. Assurez-vous que la base des pieds réglables est propre et sèche.



### INFORMATION!

La machine à laver doit être placée de niveau et stable sur une base solide.

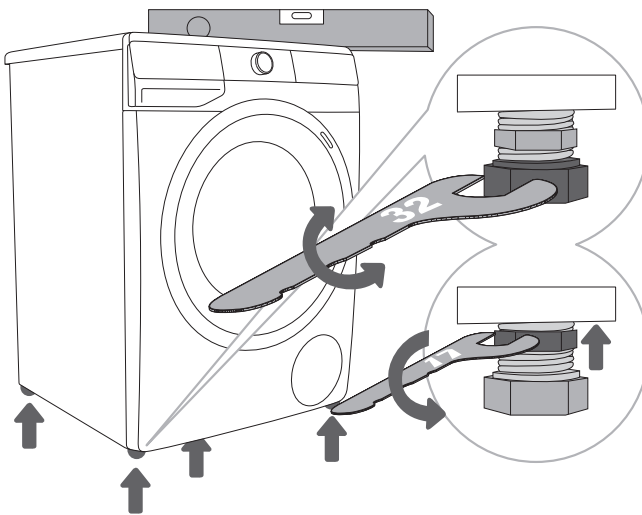


### INFORMATION!

Si la machine à laver est placée sur une base stable surélevée, elle doit être en outre fixée pour éviter tout basculement.

## Réglage des pieds de la machine à laver

Utilisez une règle à eau et une clé n° 32 (pour les pieds) et 17 (pour l'écrou).



**1**

Nivelez le lavage la machine peut se déplacer d'avant en arrière et de gauche à droite en faisant pivoter les pieds réglables.

**2**

Après avoir ajusté le hauteur des pieds, serrez fermement les contre-écrous (écrous de blocage) à l'aide d'une clé n° 17, en les tournant vers le bas de la machine à laver (voir figure).



### INFORMATION!

Un mauvais nivellement du lave-linge à l'aide des pieds réglables peut entraîner des vibrations, un déplacement de l'appareil dans la pièce et un fonctionnement bruyant. La garantie ne couvre pas les dommages causés par un mauvais nivellement du lave-linge.



### INFORMATION!

Des bruits inhabituels ou plus forts peuvent se produire pendant le fonctionnement de l'appareil. Ces bruits sont généralement dus à une installation incorrecte.

# Emplacement de la Machine à Laver

Si vous possédez également un sèche-linge de dimensions identiques, vous pouvez le placer au-dessus du lave-linge. Dans ce cas, il est impératif d'utiliser les pieds à ventouses. Vous pouvez également placer le sèche-linge à côté du lave-linge (figures 1 et 3).

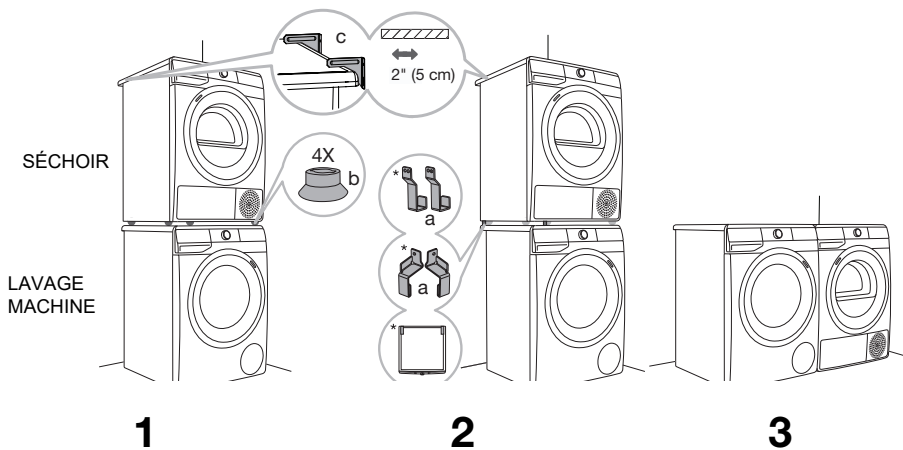
Si votre lave-linge est moins profond (545 mm minimum) que votre sèche-linge, le support pour sèche-linge doit être acheté séparément (figure 2). L'utilisation des ventouses fournies est obligatoire ; elles sont conçues pour empêcher le sèche-linge de glisser. Leur utilisation est essentielle!

Accessoires supplémentaires : support pour sèche-linge (a), pieds pour aspirateur (b) et support de fixation murale (c).

Pour commander des pièces de rechange, rendez-vous sur notre site web: [summitapplianceparts.com](http://summitapplianceparts.com)

La surface sur laquelle l'appareil est placé doit être propre et plane.

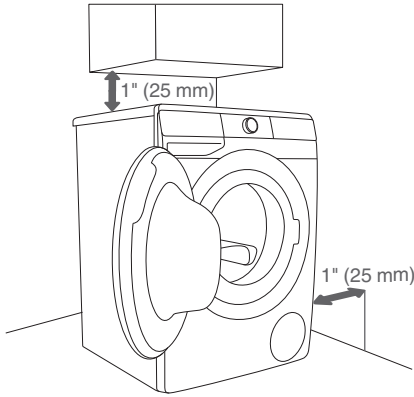
La machine à laver doit pouvoir supporter le poids du sèche-linge (voir DESCRIPTION DE LA MACHINE À LAVER/Spécifications techniques).



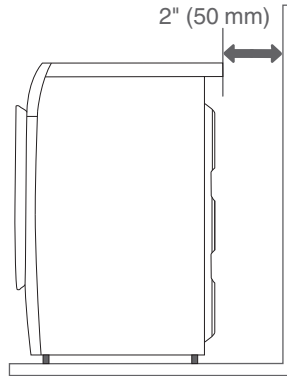
**INFORMATION!**  
Un kit de superposition est inclus avec chaque machine à laver.

**INFORMATION!**  
Si vous installez la machine à laver au-dessus d'un sèche-linge et que vous intégrez les deux appareils dans un placard (installation dans un placard), suivez les instructions d'installation et d'utilisation fournies avec le sèche-linge.

## Dégagements pour l'Installation d'une Machine à Laver



1



2



### INFORMATION!

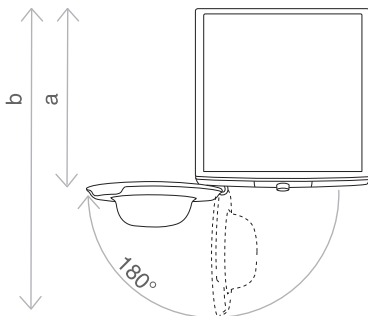
La machine à laver ne doit pas être en contact direct avec un mur ou un meuble adjacent. Pour un fonctionnement optimal, respectez les distances de sécurité indiquées sur la figure. Le non-respect de ces distances minimales peut entraîner un dysfonctionnement et compromettre la sécurité. Une ventilation insuffisante peut également provoquer une surchauffe (voir figures 1 et 2).



### INFORMATION!

Il n'est pas recommandé d'installer la machine à laver sous un plan de travail.

## Ouverture de la porte de la machine à laver (vue de dessus)



Voir (DESCRIPTION DE LA MACHINE À LAVER/Spécifications techniques)

a = profondeur du lave-linge  
b = profondeur porte ouverte



### INFORMATION!

Avant de brancher la machine à laver sur le secteur, attendez au moins 2 heures qu'elle atteigne la température ambiante.

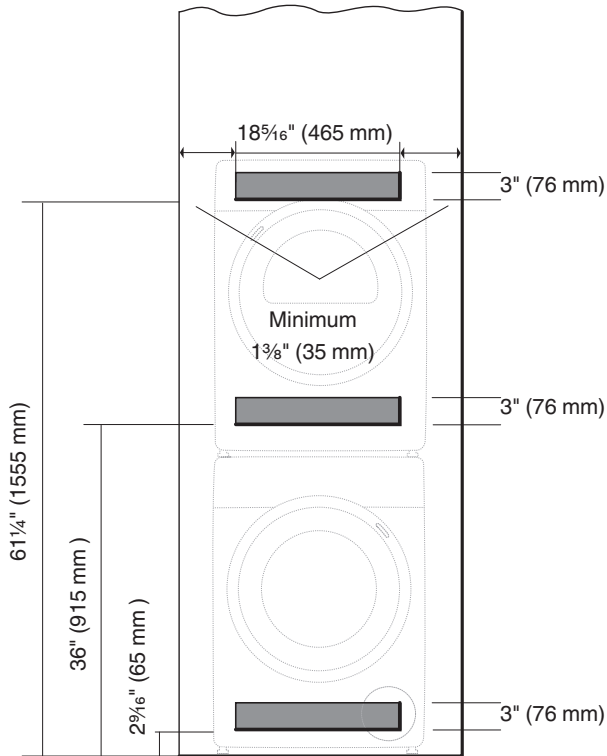
# Installation de Placard - Exigences de Ventilation

Les commandes en façade permettent d'installer les lave-linge et les sèche-linge dans un placard.

Prévoir un dégagement minimal de 1" (25 mm) entre les unités et l'armoire ou le mur et un dégagement minimal de 1" (25 mm) entre le bord arrière du panneau supérieur de la machine et l'armoire ou le mur.

Pour assurer une ventilation adéquate, nous recommandons les portes à persiennes. À défaut, la porte doit comporter des ouvertures de ventilation.

Voir l'illustration ci-dessous (cases grises) pour les ouvertures de ventilation minimales:



## 💡 INFORMATION!

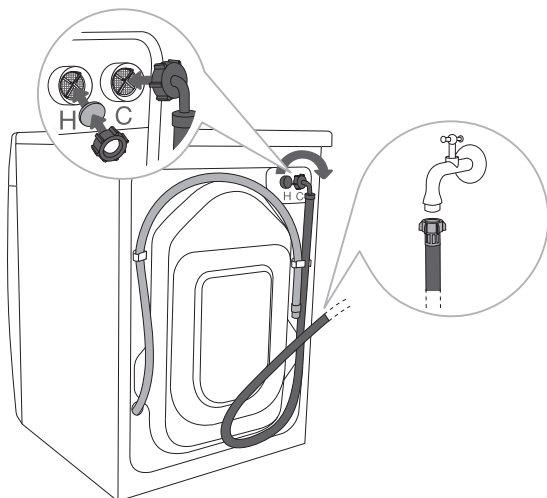
Après l'installation, assurez-vous que la porte de la machine à laver puisse s'ouvrir complètement et sans obstruction.

## 💡 INFORMATION!

Le panneau d'entrée d'air frais situé à l'avant de la machine à laver ne doit pas être obstrué ni recouvert. L'obstruction du flux d'air peut entraîner l'affichage d'une erreur ou un dysfonctionnement de l'appareil.

# Raccordement à l'alimentation en eau

Fixez le tuyau au robinet en le vissant sur le filetage.



## INFORMATION!

- Si votre lave-linge dispose de raccords pour l'eau chaude et l'eau froide, mais que vous souhaitez uniquement le raccorder à l'arrivée d'eau froide, n'installez pas le tuyau d'eau chaude et obturez le raccord d'eau chaude situé à l'arrière de l'appareil à l'aide du bouchon fourni.
- Pour assurer le fonctionnement normal du lave-linge, la pression du réseau d'eau doit être comprise entre 0,05 et 0,8 MPa (0,5 à 8 bars). La pression dynamique minimale de l'eau peut être déterminée en mesurant le débit : 1,2 litre d'eau (soit 0,32 gallon US) doit s'écouler d'un robinet grand ouvert en l'espace de 30 secondes.
- Si votre modèle est équipé de raccords pour l'eau chaude et l'eau froide, raccordez un tuyau à l'arrivée d'eau froide et l'autre à l'arrivée d'eau chaude, conformément aux indications figurant à l'arrière du lave-linge. Les raccords sont identifiés par les lettres C et H (C = froid, H = chaud). L'eau chaude (mélange d'eau chaude et froide) n'est utilisée que pour les programmes réglés sur « Tiède » (WARM) ou une température supérieure.
- Raccordez l'extrémité coudée à 90° du tuyau au lave-linge et l'extrémité droite au robinet d'arrivée d'eau.
- Les tuyaux d'arrivée d'eau chaude et froide sont inclus à l'intérieur de chaque lave-linge.
- Serrez le tuyau d'arrivée d'eau à la main, suffisamment fermement pour garantir une bonne étanchéité (couple max. : 2 Nm). Une fois le tuyau raccordé, vérifiez l'étanchéité afin de détecter toute éventuelle fuite. N'utilisez ni pince ni outil similaire pour le raccordement, car cela risquerait d'endommager le filetage de l'écrou.
- Utilisez exclusivement le tuyau d'arrivée d'eau fourni avec l'appareil. N'utilisez ni tuyau usagé, ni aucun autre type de tuyau.
- Lors du raccordement du tuyau d'arrivée d'eau, veillez à l'installer de manière à garantir une alimentation en eau adéquate et sans obstruction.

## AVERTISSEMENT!

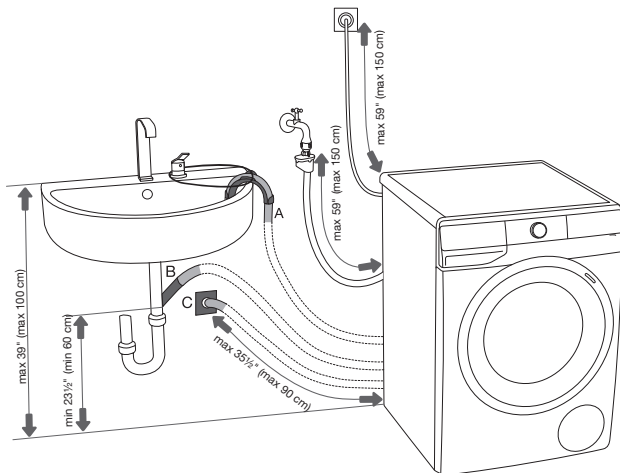
Raccordement à l'eau chaude.

La température de l'eau chaude ne doit pas dépasser **158 °F (70 °C)**.

# Raccordement et fixation du tuyau d'évacuation d'eau

Faites passer le tuyau d'évacuation d'eau dans un lavabo ou une baignoire, ou connectez-le directement à un tuyau d'évacuation d'un diamètre minimum de 1½" (4 cm).

La distance verticale entre le sol et l'extrémité du tuyau d'évacuation ne doit pas dépasser **100 cm (39 po)** ni être inférieure à **60 cm (23½ po)**. Il peut être raccordé de trois manières différentes (A, B, C).



## A

L'extrémité du tuyau d'évacuation peut être placée au-dessus d'un lavabo ou d'une baignoire. Utilisez une ficelle passée dans l'ouverture du support coudé pour fixer le tuyau et l'empêcher de glisser sur le sol.

## B

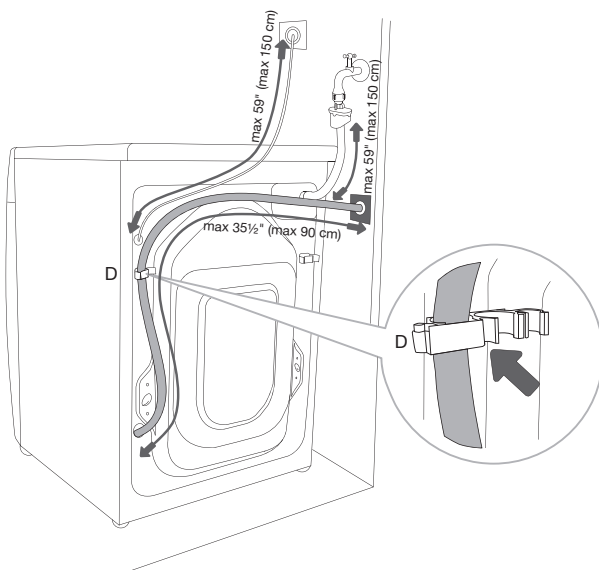
Le tuyau d'évacuation peut également être raccordé directement à la bonde du lavabo.

## C

Le tuyau de refoulement peut il doit également être raccordé à un drain mural muni d'un siphon; ce siphon doit être correctement installé pour permettre son nettoyage.

## D

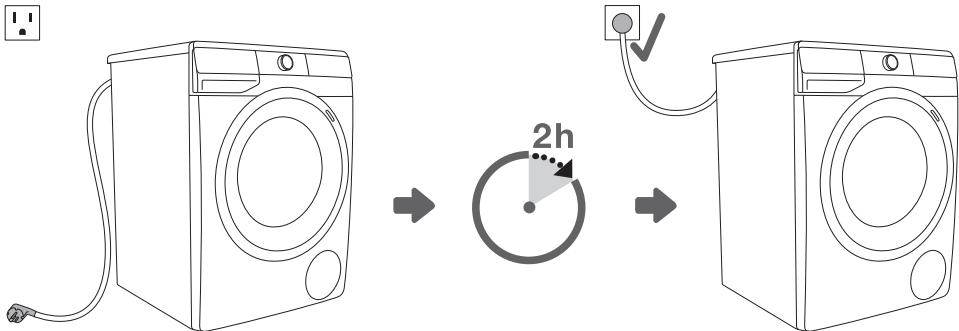
Le tuyau de refoulement a à fixer et à attacher à la broche située à l'arrière de la machine à laver, comme indiqué sur la figure.



### INFORMATION!

Si le tuyau d'évacuation n'est pas correctement fixé, le fonctionnement sûr et correct de la machine à laver ne peut être garanti.

## Brancher l'appareil au réseau électrique



### **CHOC ÉLECTRIQUE !**

**Avant de brancher la machine à laver sur le secteur, attendez au moins 2 heures qu'elle atteigne la température ambiante.**

Branchez la machine à laver à une prise de courant mise à la terre. Après l'installation, la prise murale doit être facilement accessible. La prise doit être correctement mise à la terre conformément aux normes électriques en vigueur.

Les informations concernant votre machine à laver sont indiquées sur la plaque signalétique (voir DESCRIPTION DE LA MACHINE À LAYER/Informations techniques).



### **CHOC ÉLECTRIQUE !**

**Nous recommandons l'utilisation d'une protection contre les surtensions pour protéger l'appareil en cas de foudre.**



### **AVERTISSEMENT!**



La machine à laver ne doit pas être branchée sur le secteur à l'aide d'une rallonge.

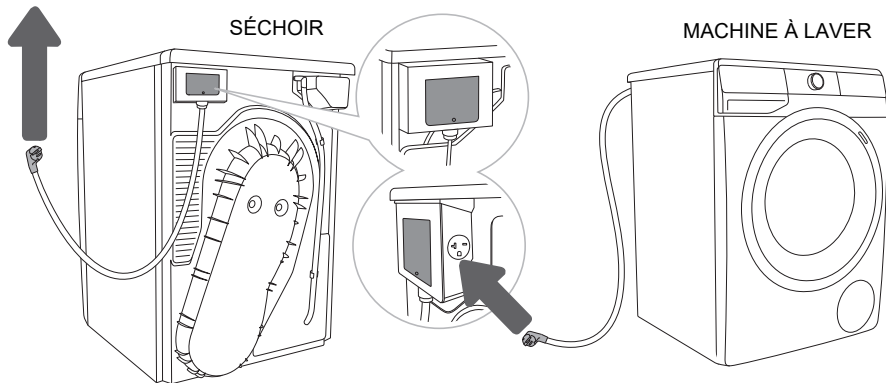


### **INFORMATION!**

Toute réparation ou maintenance relative à la sécurité ou aux performances doit être effectuée par des experts qualifiés.

# Connexions électriques

 <p>prise à 4 fils (14-30 R)</p>	Sèche-linge livré avec un cordon pour ce type de prise à 4 fils.
 <p>Prise à 3 fils (10-30 R)</p>	Si vous avez une prise à 3 fils, comme celle-ci, vous devez acheter localement un cordon d'alimentation pour sèche-linge à 3 fils.



L'appareil est livré pré-câblé et conçu pour être raccordé à un sèche-linge équipé d'une prise adaptée. La prise fournie avec le lave-linge est exclusivement destinée au sèche-linge. Si le lave-linge est utilisé seul ou avec un autre sèche-linge, il doit être raccordé à un circuit biphasé **208-240 V** distinct.

Si la machine est destinée à être utilisée dans une zone humide, l'alimentation doit être protégée par un dispositif différentiel résiduel.

Caractéristiques fournies: **208-240 V, 60 Hz, élément chauffant de 1700 W**, fusible de **15 A** requis.



## INFORMATION!

Les réparations et l'entretien relatifs à la sécurité ou aux performances doivent être effectués par un professionnel qualifié.



## CHOC ÉLECTRIQUE !

**Le raccordement à un point d'alimentation câblé de façon permanente doit être effectué uniquement par un électricien qualifié.**



## AVERTISSEMENT!

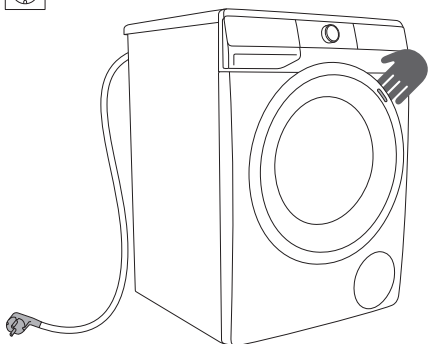
Certaines pièces internes ne sont volontairement pas mises à la terre et ne peuvent présenter un risque de choc électrique que lors de leur entretien.

**Personnel de maintenance** - Ne touchez pas aux pièces suivantes lorsque l'appareil est sous tension : moteur, pompe et unité de commande.

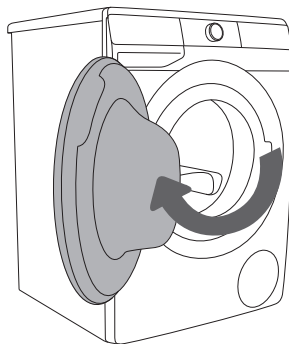
# AVANT D'UTILISER L'APPAREIL POUR LE PREMIÈRE FOIS

Assurez-vous que la machine à laver est débranchée du secteur. Ensuite, ouvrez la porte vers vous (figures 1 et 2).

Avant la première utilisation, nettoyez le tambour de la machine à laver avec un chiffon doux en coton humide et de l'eau, ou utilisez le programme de désinfection du tambour. Le tambour doit être vide (figures 3 et 4).



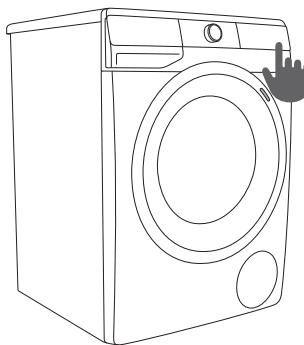
1



2



3



4



## AVERTISSEMENT!

N'utilisez aucun solvant ni produit de nettoyage susceptible d'endommager la machine à laver (suivez les recommandations et les avertissements fournis par les fabricants des produits de nettoyage).

# PROCESSUS DE LAVAGE, ÉTAPE PAR ÉTAPE (1–7)

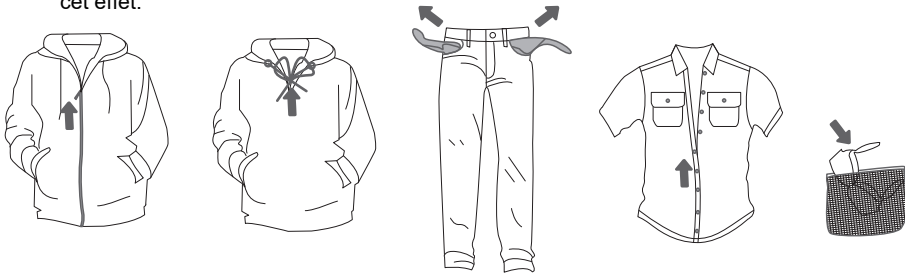
## Étape 1: Respectez les étiquettes sur le linge

<b>Coton, lavage normal</b>			
<b>linge délicat</b>			
	température de lavage maximale CHAUD+ (TRÈS CHAUD)		Lavage max. température CHAUD
	Lavage max. température CHAUD		Lavage à la main seulement
	Ne pas laver		
<b>Blanchiment</b>			
	Blanchiment à l'eau froide		Blanchiment interdit
<b>Nettoyage à sec</b>			
	Nettoyage à sec avec tous les agents		Solvant pétrolier R11, R113
	Nettoyage à sec au kérosène, à l'alcool pur et au R113		Nettoyage à sec non autorisé
<b>Repassage</b>			
	Repassage à HAUTE température		Repassage à BASSE température
	Repassage à température MOYENNE		Repassage interdit
<b>Séchage</b>			
	Sécher à plat (poser sur une surface plane)		température élevée
	Séchage à l'air libre		basse température
	Séchage à la corde		Ne pas sécher en machine

<b>température de l'eau de lavage</b>	
	Température maximale de l'eau 194°F (90°C) CHAUD+ (TRÈS CHAUD)
	Température maximale de l'eau 160°F (70°C) CHAUD+ (TRÈS CHAUD)
	Température maximale de l'eau : 140 °F (60 °C) (CHAUD)
	Température maximale de l'eau 120°F (50°C) (CHAUD)
	Température maximale de l'eau 105°F (40°C) (chaude)
	Température maximale de l'eau : 85 °F (30 °C) (chaude)

## Étape 2: Préparation du processus de lavage

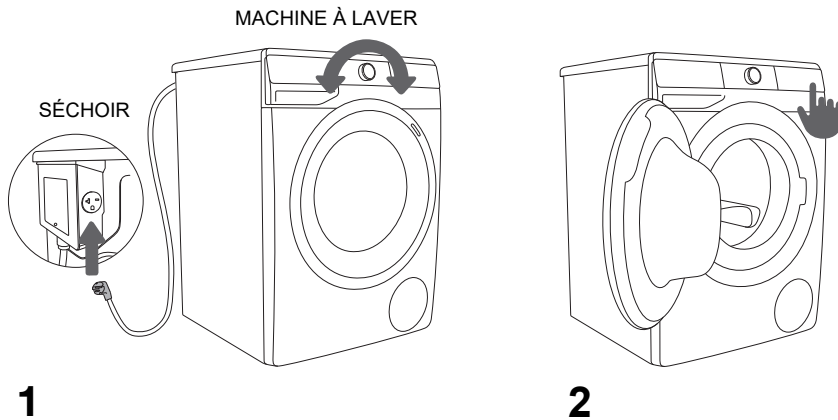
1. Triez le linge par type de tissu, couleur, degré de salissure et température de lavage autorisée (voir TABLEAU DES PROGRAMMES).
2. Lavez séparément du reste du linge qui perd beaucoup de fibres ou de peluches.
3. Videz les poches. Pièces de monnaie, clous, etc., car cela pourrait endommager la machine et le tissu.
4. Fermez tous les boutons et fermetures éclair, nouez les rubans et retournez les poches; retirez les clips métalliques qui pourraient endommager le linge et l'intérieur de la machine à laver, ou boucher le drain.
5. Placez les vêtements très délicats et les petits objets dans un sac à linge spécialement conçu à cet effet.



## Mise en marche de la machine à laver

Utilisez le cordon d'alimentation pour brancher la machine à laver au secteur, puis branchez-la à l'arrivée d'eau.

Pour allumer l'appareil, tournez le sélecteur de programme sur n'importe quelle position.

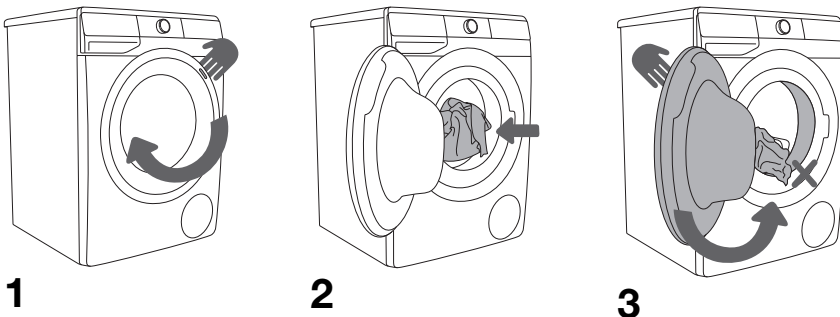


### 💡 INFORMATION!

Seul un technicien de maintenance ou une personne agréée peut remplacer l'ampoule du tambour de la machine à laver.

## Charger la machine à laver

Ouvrez la porte de la machine à laver en tirant la poignée vers vous (figure 1).  
Introduisez le linge dans le tambour (après avoir vérifié que le tambour est vide) (figure 2).  
Vérifiez qu'aucun vêtement ne soit coincé entre la porte et le joint en caoutchouc.  
Fermez la porte de la machine à laver (figure 3).

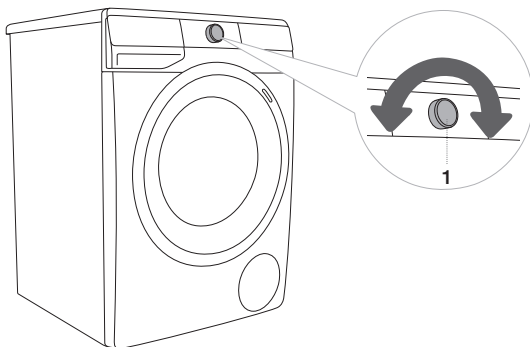


Ne surchargez pas le tambour. Consultez le TABLEAU DES PROGRAMMES et respectez la capacité de charge maximale indiquée sur la plaque signalétique.

## Étape 3: Choisir le programme de lavage

Sélectionnez le programme en tournant le sélecteur de programme vers la gauche ou vers la droite (selon le type de linge et son degré de salissure). Voir le TABLEAU DES PROGRAMMES.

Le voyant situé à côté du programme sélectionné s'allume.



### **INFORMATION!**

Pendant le fonctionnement, le sélecteur de programme ne tournera pas automatiquement.

### **INFORMATION!**

Les programmes de lavage sont des programmes complets qui incluent toutes les étapes de lavage, y compris l'adoucissement et l'essorage (ceci ne s'applique pas aux programmes partiels).

### **INFORMATION!**

Les programmes partiels sont des programmes indépendants. Utilisez-les lorsque vous estimez ne pas avoir besoin du programme de lavage complet.

## Table de programme

Programme	Charger	Rotation vitesse	Description du programme
<b>Normale</b> Froid – Chaud+	Charge complète	Max 1400 rpm	Programme pour une utilisation normale, régulière ou typique du lavage jusqu'à une pleine charge de vêtements en coton normalement sales. <i>La performance énergétique, la consommation d'eau et La capacité des lave-linge domestiques a été évaluée conformément à la norme CAN/CSA C360-13 et aux essais du DOE méthodes de procédure spécifiées au 10 CFR 430.23(j) : 10 CFR Partie 430, Sous-partie B, Annexe J2.</i>
<b>Blanc</b> Chaud – Très chaud+	Charge complète	Max 1400 rpm	Programme pour linge très sale, blanc ou couleurs. La température peut être réglée séparément ; veuillez donc suivre les instructions indiquées sur le vêtement. La vitesse de rotation peut être réglée selon vos préférences. La durée du programme et la quantité d'eau seront adaptées à la quantité de linge.
<b>Couleur</b> Froid – Chaud	Charge complète	Max 1400 rpm	Programme pour linge légèrement à moyennement sale. La température est réglable séparément; veuillez donc suivre les instructions figurant sur l'étiquette du vêtement. La vitesse d'essorage est également sélectionnable. La durée du programme et la quantité d'eau s'adaptent à la quantité de linge.
<b>Tissus mélangés (Mixte lessive/ synthétiques)</b> Froid – Chaud	1/2 charge	Max 1200 rpm	Programme de lavage pour vêtements délicats en fibres synthétiques et mélangées ou en viscose, et pour entretien simple du coton. Suivez les instructions figurant sur l'étiquette du vêtement.
<b>Laine</b> Froid – Chaud	1/4 de charge	Max 800 rpm	Programme de lavage délicat pour le lavage de la laine, de la soie et vêtements nécessitant un lavage manuel.
Nettoyage haute pression Chaud	1/2 charge	Max 1400 rpm	Programme pour petites quantités de linge légèrement sale. Le programme de lavage comprend un brassage intensif et vitesse de rotation maximale. Le programme dure 59 minutes. Lors de l'utilisation du Fonction <b>RÉDUIRE LE TEMPS</b> , le programme dure 32 minutes.
Lavage rapide Chaud	1/4 de charge	Max 1000 rpm	Programme pour de petites quantités de linge, juste pour rafraîchir il.

Programme	Charger	Rotation vitesse	Description du programme
<b>Désinfecter la baignoire</b> (Programme d'autonettoyage) Chaud+	fût vide		<p>Ce programme sert à nettoyer le tambour et à éliminer les résidus de détergent et les bactéries. Pour le sélectionner, tournez le sélecteur de programme vers la gauche ou la droite jusqu'à la position « Nettoyage du tambour (programme autonettoyant) ». Aucune autre fonction n'est disponible.</p> <p>Le tambour doit être vide. <b>N'ajoutez ni détergent ni adoucissant !</b> Pour un détartrage efficace, vous pouvez ajouter un peu de vinaigre blanc (environ 2 dl) ou de bicarbonate de soude (1 cuillère à soupe, soit 15 g). Nous recommandons d'effectuer ce programme au moins une fois par mois.</p> <p>Vous pouvez ajouter les agents de lavage dans le compartiment de lavage principal ou dans le tambour.</p>
<b>Essorage + Vidange</b> (Vitesse de rotation   Vidange) (Programme partiel)	Charge complète	Max 1400 rpm	Utilisez ce programme si vous souhaitez uniquement essorer le linge. Si vous souhaitez uniquement vider l'eau de la machine à laver, appuyez sur <b>SPIN</b> pour sélectionner la vidange.
<b>Rinçage</b> (Rinçage et adoucissement) (Programme partiel)	Charge complète	Max 1400 rpm	<p>Pour adoucir, amidonner ou imprégner le linge lavé. Ce programme peut également servir de rinçage, sans adoucissant. Il se termine par un rinçage supplémentaire.</p> <p>Vous pouvez également choisir <b>HEAVY (EAU SUPPLÉMENTAIRE)</b> en sélectionnant la fonction supplémentaire (appuyez sur <b>EXTRAS (FONCTIONS SUPPLÉMENTAIRES)</b> avant le début du programme de lavage).</p>
<b>Serviettes</b> Chaud – Très chaud+	Charge complète	Max 1400 rpm	Utilisez le programme pour laver les articles volumineux tels que les draps.
<b>Chemises - Permanente. Presse.</b> (Chemises avec vapeur) Froid – Chaud	1/2 charge	Max 1200 rpm	<p>Ce programme est conçu pour le lavage des vêtements en coton, microfibrés et matières synthétiques, ainsi que des cols et poignets. Le lavage s'effectue à basse température, avec une plus grande quantité d'eau et un brassage doux.</p> <p>Pour traiter le linge à la vapeur, appuyez sur <b>EXTRAS (FONCTIONS SUPPLÉMENTAIRES)</b> et sélectionnez la fonction <b>STEAM</b>.</p>
Vêtements de sport (Vêtements de sport) Froid – Chaud	1/4 de charge	Max 1200 rpm	Vêtements de sport légèrement salis, en coton et microfibrés.
Soins des allergies Chaud – Très chaud+	Charge complète	Max 1400 rpm	Le programme de lavage est conçu pour les vêtements très sales nécessitant un entretien particulier, comme ceux des personnes à la peau très sensible ou sujettes aux allergies. Nous recommandons de retourner les vêtements afin d'éliminer efficacement les peaux mortes et autres résidus.
Lavage quotidien Chaud	1/2 charge	Max 1400 rpm	Le programme de lavage ajuste automatiquement la durée du lavage principal et le nombre de rinçages en fonction de la quantité de linge dans la machine.

## Recommandations concernant les détergents

Programme	Détergent			
	Universel	Pour le linge de couleur	Pour le linge délicat et la laine	Spécial
Normale	✓	✓	—	—
Blanc	✓	✓	—	—
Couleur	✓	✓	—	—
Tissus mélangés (Linge mixte/Synthétiques)	—	✓	—	—
Laine	—	—	✓	✓
Nettoyage haute pression Chaud	—	✓	✓	—
Lavage rapide	—	✓	—	—
Désinfecter la baignoire (Programme d'autonettoyage)	—	—	—	—
Essorage + Vidange (Vitesse d'essorage   Vidange)	—	—	—	—
Rinçage (Rinçage et adoucissement)	—	—	—	—
Serviette	✓	✓	—	—
Chemises - Pressage permanent (Chemises avec vapeur)	✓	✓	✓	✓
Vêtements de sport	—	✓	✓	—
Soins des allergies	✓	✓	✓	—
Lavage quotidien	✓	✓	✓	—

✓ Recommandation

— Aucune recommandation



### INFORMATION!

Le bruit et le taux d'humidité résiduelle sont influencés par la vitesse d'essorage : plus la vitesse d'essorage est élevée, plus le bruit est important et plus le taux d'humidité résiduelle est faible.

**INFORMATION!**

**Ajoutez la lessive en poudre ou liquide conformément aux instructions du fabricant, en tenant compte de la température de lavage, du programme de lavage, du degré de saleté du linge et de la dureté de l'eau.**

En cas de formation excessive de mousse dans la machine à laver ou de fuite de mousse par le bac à lessive, le linge lavé doit être rincé abondamment à l'eau.

Choisissez un programme de lavage, mais n'ajoutez pas de lessive.

**INFORMATION!**

La quantité maximale de linge en kg est indiquée sur la plaque signalétique de la machine à laver (voir DESCRIPTION DE LA MACHINE À LAVER/Informations techniques).

**INFORMATION!**

La charge maximale ou nominale s'applique au linge préparé conformément à la norme IEC 60456.

**INFORMATION!**

Pour un lavage optimal, nous recommandons de remplir le tambour aux 2/3 lors de l'utilisation des programmes coton.

**INFORMATION!**

Une température d'eau basse, une tension secteur faible et des charges de linge différentes peuvent affecter la durée du lavage ; le temps restant affiché est ajusté en conséquence pendant le processus de lavage.

## Optimisation du temps de lavage

Au début du programme, la machine à laver utilise une technologie avancée pour détecter la quantité de linge. Après cette détection, elle ajuste la durée du programme.

## Programmes de lavage avec vapeur

L'ajout de vapeur lors de la dernière étape de lavage assouplit le linge, le désinfecte légèrement et élimine certains allergènes. Après ce programme, le linge sera doux, souple et frais, et nécessitera moins de repassage.

L'utilisation de la vapeur (appuyez sur la position 8) permet également d'omettre ou de réduire la quantité d'adoucissant. Pour un meilleur effet vapeur sur le linge, nous recommandons une demi-charge.

## Étape 4: Choisir les paramètres

La plupart des programmes incluent des paramètres par défaut qui peuvent être modifiés.

Pour modifier un réglage, appuyez sur le bouton de fonction souhaité, puis sur **DÉMARRER/PAUSE**.

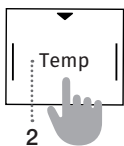
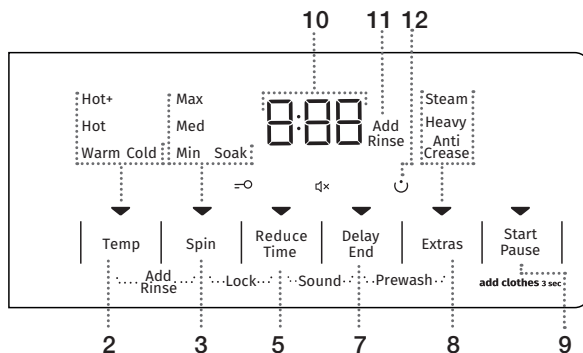
Les fonctions qui ne peuvent pas être modifiées dans le programme de lavage sélectionné apparaîtront partiellement éclairées (assombries). Certains réglages ne sont pas disponibles avec certains programmes ; dans ces cas, le voyant de fonction restera éteint et le bouton clignotera lorsqu'on appuiera dessus (voir le tableau des fonctions).

Les indicateurs de fonction du programme de lavage sélectionné sont décrits ci-dessous:

**allumé** (Réglage de base/préréglé)

**atténué** (Fonctions réglables)

**non éclairé** (Fonctions non sélectionnables)

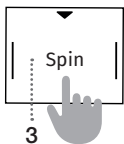


### TEMP (température de lavage)

Chaque programme possède une température prédéfinie.

Pour régler la température du programme sélectionné:

1. Appuyez sur **TEMP** et la température sélectionnée s'affichera.



### SPIN (vitesse de rotation/arrêt de la pompe/vidange)

Chaque programme possède une vitesse d'essorage prédéfinie qui peut être ajustée (sauf pour le programme de désinfection de la cuve / autonettoyage).

Pour régler la vitesse de rotation:

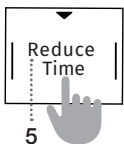
1. Appuyez sur **SPIN**.

Si vous sélectionnez la fonction Vidange (sans essorage), aucun voyant ne s'allumera et la durée du lavage sera plus courte.

Si vous sélectionnez [Pump Stop], **SOAK** apparaîtra sur l'écran.

Utilisez la fonction **SOAK** pour laisser tremper le linge dans l'eau du dernier cycle de rinçage. Cela permet d'éviter les plis si vous ne pouvez pas vider la machine à laver immédiatement après la fin du programme.

Vous pouvez régler la vitesse d'essorage souhaitée avant de reprendre le cycle. Pour continuer, appuyez sur **START/PAUSE**. L'eau sera vidangée et le dernier cycle d'essorage démarrera.

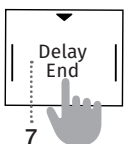


## REDUCE TIME (rapidement)

Lorsque la fonction **REDUCE TIME** est sélectionnée, le programme de lavage s'exécute avec un Duré du cycle plus courte. Selon le programme sélectionné, deux options sont disponibles.

Lorsque cette fonction est sélectionnée, le voyant passe d'un allumage partiel à un allumage complet, et la durée totale du programme affichée s'ajuste automatiquement.

- Première pression – **REDUCE TIME (RAPIDE)**
- Deuxième pression – **SUPER REDUCE TIME (SUPER RAPIDE)**
- Troisième pression – **DEFAULT (PAR DÉFAUT)**



## DELAY END (retarder la fin du programme de lavage)

Appuyez sur **DELAY END** pour reporter la fin du programme jusqu'à 24 heures. Pour activer **DELAY END**:

1. Sélectionnez le programme souhaité et les fonctions supplémentaires éventuelles.
2. Appuyez sur **DELAY END** pour activer la fonction.
3. Appuyez plusieurs fois pour définir la durée d'exécution souhaitée du programme:
  - Par tranches de 30 minutes jusqu'à 6 heures
  - Par tranches d'une heure ensuite, jusqu'à 24 heures
4. Appuyez sur **START/PAUSE** pour démarrer le programme différé.

Lorsque la fonction **DELAY END** est activée, la machine à laver effectuera un compte à rebours. Délai différé sélectionné. Une fois le compte à rebours terminé, le programme de lavage démarrera automatiquement.

Pour annuler ou modifier la fin reportée:

- Tournez le bouton de sélection du programme sur la position **OFF** pendant au moins 2 secondes.
- Pour annuler rapidement le délai, maintenez la touche **DELAY END** enfoncée pendant 3 secondes. Le programme de lavage reprendra immédiatement.

Exemple:

S'il est actuellement 21h et que vous souhaitez que le programme de lavage soit terminé à 6h le lendemain matin, veuillez le faire. Le matin, réglez l'heure de **DELAY END** sur 9 heures..



### INFORMATION!

Certains réglages ne sont pas accessibles avec certains programmes. Ces fonctions ne s'afficheront pas à l'écran. Lorsque vous appuyez sur le bouton correspondant, un signal sonore retentira et le voyant du bouton clignotera (voir le TABLEAU DES FONCTIONS).



### INFORMATION!

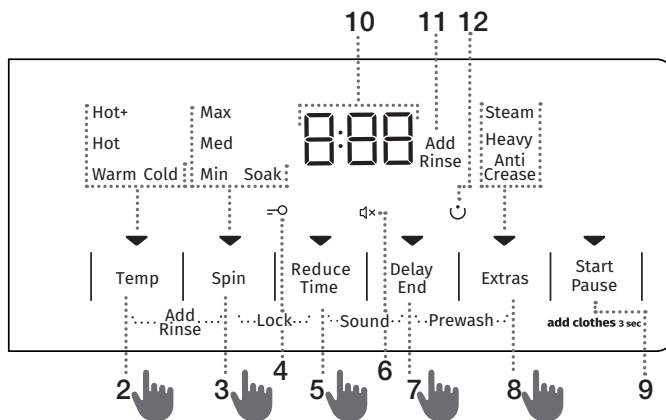
Activez/désactivez les fonctions en appuyant sur la fonction souhaitée (avant d'appuyer sur **START/PAUSE**). Un indicateur s'allumera à côté des fonctions sélectionnées.



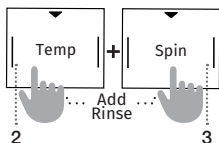
### INFORMATION!

Si vous avez activé la fonction **DELAY END** et que vous utilisez une lessive liquide, nous vous déconseillons de lancer un programme sans pré-lavage.

# Réglages de combinaison de deux boutons



Lorsque des fonctions supplémentaires sont disponibles pour le programme sélectionné, le voyant ci-dessous s'allumera partiellement.

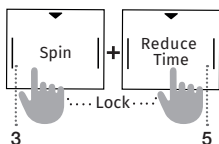


## ADD RINSE (rinçages supplémentaires)

Pour activer l'ajout de rinçage:

1. Appuyez simultanément sur les touches **TEMP** et **SPIN** et maintenez-les enfoncées pendant au moins 3 secondes pour sélectionner.
2. L'écran affichera la durée prolongée du programme

**REMARQUE:** La fonction « Ajouter un rinçage » ne peut être activée qu'après avoir sélectionné un programme de lavage programme..



## LOCK (verrouillage enfant)

Le verrouillage enfant est une fonction de sécurité supplémentaire qui empêche les modifications accidentelles le programme, les paramètres ou les fonctions supplémentaires.

**Pour activer le verrouillage enfant:**

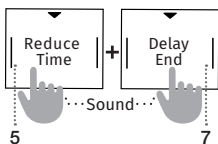
1. Appuyez et maintenez enfoncés les boutons **SPIN** et **REDUCE TIME** pendant au moins 3 secondes.
2. L'écran affichera un compte à rebours.
3. L'activation est confirmée par un signal sonore et le voyant de sécurité enfant.

**Pour désactiver le verrouillage enfant:**

- Suivez la même procédure

## IMPORTANT:

- Lorsque le verrouillage enfant est activé, les programmes, les paramètres et les fonctions supplémentaires sont désactivés ne peut pas être modifié.
- Le verrouillage enfant reste actif même après l'arrêt de la machine à laver.
- Pour des raisons de sécurité, le verrouillage enfant n'empêche pas l'arrêt du lave-linge machine en tournant le sélecteur de programme sur la position **OFF**.
- Si le bouton est tourné sur **OFF** alors que la sécurité enfant est activée, le programme est désactivé en pause. Pour reprendre, tournez le sélecteur de programme sur le programme précédent et appuyez sur **START/PAUSE**.
- Pour sélectionner un nouveau programme, le verrouillage enfant doit d'abord être désactivé.



## SOUND (son coupé)

Cette fonction vous permet de désactiver tous les sons de fonctionnement.

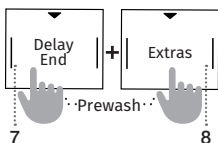
### Pour couper le son

1. Appuyez et maintenez enfoncés les boutons **REDUCE TIME** et **DELAY END** pendant au moins 3 secondes.
2. La sélection sera confirmée par un signal sonore et par un signal lumineux (⌘x).

### Pour réactiver le son:

- Répétez le processus.

**Remarque:** Lorsque le son est désactivé, aucun signal sonore ne sera émis à la fin du programme de lavage.



## PRÉLAVAGE

Utilisez cette fonction pour le linge très sale, en particulier les articles présentant des taches tenaces ou superficielles.

### Pour activer la fonction de pré-lavage:

1. Sélectionnez le programme de lavage souhaité.
2. Appuyez et maintenez enfoncés les boutons **DELAY END** et **EXTRAS** pendant au moins 3 secondes.
3. La durée prolongée du programme s'affichera à l'écran.

**Remarque:** La fonction de pré-lavage ne peut être activée qu'après la sélection d'un programme de lavage.



### INFORMATION!

Si vous sélectionnez PREWASH, ajoutez la lessive dans le compartiment de pré-lavage.



### INFORMATION!

Lorsque la machine à laver est éteinte, toutes les fonctions supplémentaires reprennent leurs réglages de base ou personnalisés, à l'exception du réglage du signal sonore.

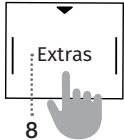
## Étape 5: Sélection des fonctions supplémentaires



### INFORMATION!

Activez/désactivez les fonctions en appuyant sur la fonction souhaitée (avant d'appuyer sur **START/PAUSE**).

Certains réglages ne sont pas accessibles avec certains programmes. Ces fonctions ne s'afficheront pas sur l'écran ; lorsque vous appuyerez sur le bouton correspondant, un signal sonore retentira et le voyant clignotera (voir le tableau des fonctions). Les fonctions disponibles (voyants situés en dessous) seront faiblement éclairées (partiellement).



### EXTRAS (FONCTIONS SUPPLÉMENTAIRES)

Appuyez une ou plusieurs fois sur **EXTRAS** pour choisir parmi les huit fonctions différentes (selon le programme de lavage sélectionné):

- Première pression: ANTI CREASE (PRÉVENTION DES PLIS)
- Deuxième pression: HEAVY (EAU SUPPLÉMENTAIRE)
- Troisième pression: STEAM (VAPEUR)
- De la quatrième à la huitième pression: différentes combinaisons de ces trois fonctions.



### ANTI CREASE (CREASE PREVENTION)

Pour éviter le froissage, sélectionnez la fonction **ANTI CREASE**. Un brassage doux se poursuivra après la fin du programme de lavage. L'écran affichera [AC].

Cette fonction est recommandée pour le linge délicat.



### HEAVY (EAU SUPPLÉMENTAIRE)

Utilisez cette fonction pour augmenter le niveau d'eau lors du cycle de lavage et de rinçage pour le linge très sale.



### STEAM (VAPEUR)

L'ajout d'un cycle vapeur de 20 minutes à la fin du programme permettra d'adoucir et de désinfecter votre linge, et réduira le besoin de repassage et d'utilisation d'adoucissant.

Pour désactiver une fonction à tout moment, appuyez sur **START/PAUSE** ou tournez le sélecteur de programme sur la position **OFF**.

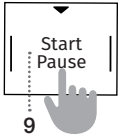
## Tableau du programme

Programme	RÉDUIRE LE TEMPS	RÉDUCTION DE TEMPS MAXIMALE	FIN DU DÉLAI	AJOUTER LE RINÇAGE	PRÉLAVAGE	ANTI PLI	LOURD	VAPEUR	ROTATION	RINÇAGE ET ATTENTE
<b>Normale</b> Froid – Très chaud+			•	•	•	•	•		•	•
<b>Blanc</b> Froid – Très chaud+	•	•	•	•	•	•	•	•	•	•
<b>Couleur</b> Froid – Chaud	•	•	•	•	•	•	•		•	•
<b>Tissus mélangés (Linge mixte/Synthétiques)</b> Froid – Chaud	•	•	•	•	•	•	•		•	•
<b>Laine</b> Froid – Chaud	•	•	•		•	•			•	•
<b>Nettoyage haute pression</b> Chaud	•		•	•	•	•	•		•	•
<b>Lavage rapide</b> Chaud			•			•			•	•
<b>Désinfecter la baignoire (Programme d'autonettoyage)</b>			•					•		
<b>Essorage + Vidange (Vitesse d'essorage   Vidange) (Programme partiel)</b>			•						•	
<b>Rinçage (Rinçage et adoucissement) (Programme partiel)</b>			•			•	•		•	•
<b>Serviettes</b> Froid – Chaud	•	•	•	•	•	•	•	•	•	•
<b>Chemises - Pressage permanent. (Chemises avec vapeur)</b> Froid – Chaud	•	•	•	•	•	•	•	•	•	•
<b>Vêtements de sport</b> Froid – Chaud	•	•	•		•	•	•		•	•
<b>Soins des allergies</b> Froid – Très chaud+	•	•	•	•	•	•	•	•	•	•
<b>Lavage quotidien</b> Froid – Très chaud+			•	•	•	•	•		•	•

- Des fonctions supplémentaires peuvent être utilisées.

## Étape 6: Démarrage du programme de lavage

Appuyez sur **START/PAUSE**.



Le temps restant avant la fin du programme ou l'heure de **DELAY END** (si elle est définie) s'affichera à l'écran.

Les voyants des fonctions sélectionnées s'allumeront.

Après avoir appuyé sur **START/PAUSE**, la vitesse d'essorage reste réglable, sauf pendant le cycle de nettoyage automatique de la cuve. Les fonctions **SPIN**, **LOCK** et **SOUND** sont également réglables. Une fois le programme lancé, tous les autres paramètres sont verrouillés.



### **INFORMATION!**

Si la porte n'est pas correctement fermée, le temps restant clignotera trois fois et un signal sonore retentira. Pour reprendre le programme de lavage, fermez correctement la porte puis appuyez sur **START/PAUSE**.

## Étape 7: Fin du programme de lavage

Lorsque le programme de lavage est terminé, un signal sonore retentit et [eND] s'affiche à l'écran. La machine à laver passera alors en mode veille ou s'éteindra automatiquement. Au bout de 5 minutes environ, le message disparaîtra de l'écran.

1. Ouvrez la porte de la machine à laver.
2. Sortez le linge du tambour.
3. Essuyez le joint en caoutchouc de la porte et la vitre de la porte.
4. Fermez la porte.
5. Fermez le robinet d'arrivée d'eau.
6. Éteignez la machine à laver (tournez le bouton de sélection du programme sur la position OFF).
7. Débranchez le cordon d'alimentation de la prise.

# INTERRUPTIONS ET MODIFICATIONS DU PROGRAMME

## Interruption manuelle

Pour interrompre et annuler un programme de lavage:

1. Tournez le sélecteur de programme sur la position **OFF**.
2. Les voyants clignoteront sur l'écran et la machine à laver vidangera automatiquement le tambour. Une fois la vidange terminée, la porte se déverrouillera.

Si l'eau à l'intérieur de la machine est chaude, celle-ci la refroidira avant de la vidanger afin de garantir un fonctionnement sûr.

## Paramètres personnels

Les paramètres par défaut de chaque programme de lavage peuvent être personnalisés.

1. Après avoir sélectionné le programme souhaité et les fonctions supplémentaires, appuyez sur **START/PAUSE** et maintenez la touche enfoncée. pendant 5 secondes (un compte à rebours apparaîtra sur l'écran).
2. Lorsque l'écran affiche [**SAVED**], votre combinaison personnalisée a été enregistrée avec succès.

Le programme enregistré restera sauvegardé jusqu'à ce qu'il soit modifié en suivant la même procédure. Les paramètres personnels peuvent également être réinitialisés aux valeurs d'usine via le menu utilisateur.

## AdaptTech

Lorsqu'un réglage de programme de lavage est utilisé trois fois de suite, ce réglage est enregistré comme réglage par défaut et sera systématiquement proposé lors de la sélection de ce programme. C'est la fonction **AdaptTech**. Si vous enregistrez manuellement les réglages d'un programme de lavage, la fonction **AdaptTech** est désactivée pour ce programme.

## menu des paramètres personnels

Pour accéder au menu Paramètres personnels:

1. Mettez la machine à laver en marche en tournant le bouton de sélection du programme sur n'importe quelle position.
2. Appuyez simultanément sur **TEMP** et **REDUCE TIME**.

La rangée supérieure de voyants s'illuminera et le chiffre 1 apparaîtra pour indiquer la première fonction de réglage.

3. Tournez le bouton de sélection du programme pour sélectionner la fonction souhaitée:
  - 1 – Réglages sonores
  - 2 – Rinçages supplémentaires
  - 3 – Réinitialiser les paramètres du programme personnel aux valeurs d'usine

4. Appuyez sur **SPIN** pour confirmer un réglage ou sur **TEMP** pour revenir à l'étape précédente.

Si aucune sélection n'est effectuée dans les 20 secondes, la machine retournera automatiquement au menu principal. Le volume du signal acoustique peut être réglé sur quatre niveaux:

- 0 – Son désactivé
- 1 – Son des boutons uniquement
- 2 – Volume faible
- 3 – Volume élevé

Sélectionnez le volume souhaité en tournant le bouton de sélection du programme.

Si aucune action n'est entreprise dans les 3 secondes, l'affichage reviendra automatiquement au menu principal.

## Bouton Pause

Le programme de lavage peut être interrompu à tout moment.

1. Appuyez sur **START/PAUSE** pour mettre le programme en pause temporairement.
2. Pour reprendre, fermez la porte (si elle est ouverte) et appuyez à nouveau sur **START/PAUSE**.

Lorsque le programme est mis en pause, le temps restant s'affiche par intermittence. La porte se déverrouille lorsque l'eau atteint une température adéquate ou que le tambour est vide.

## Ajout/retrait de linge pendant le fonctionnement de la machine à laver

La porte de la machine à laver peut être ouverte pendant le fonctionnement si le niveau et la température de l'eau sont inférieurs aux seuils prédéfinis.

Lorsque les conditions ci-dessous sont remplies, la serrure électronique de la porte est déverrouillée et [Add] apparaît sur l'écran:

- La température de l'eau dans le tambour est sûre
- Le niveau d'eau dans le tambour est inférieur à une valeur définie

Pour ajouter ou retirer du linge:

1. Appuyez sur **START/PAUSE** et maintenez-le enfoncé pendant 3 secondes.
2. Si toutes les conditions de verrouillage de la porte sont remplies, ouvrez la porte et ajoutez ou retirez du linge du tambour.
3. Fermez la porte.
4. Appuyez sur **START/PAUSE** pour reprendre.



### INFORMATION!

Ajouter une grande quantité de linge en cours de cycle peut réduire l'efficacité du lavage. La machine détecte initialement une charge plus faible et utilise moins d'eau. Un manque d'eau peut endommager le linge (par exemple, en le faisant froter) et allonger la durée du lavage.



### INFORMATION!

Le cycle de lavage reprendra à l'endroit où il a été interrompu.

## Erreurs

En cas d'erreur ou de dysfonctionnement, le programme sera interrompu.

Un signal sonore retentit et le code d'erreur s'affiche (E:XX). Consultez la section Dépannage et le tableau des erreurs pour plus de détails.

## Panne de courant

En cas de coupure de courant, le programme de lavage est interrompu. Dès le rétablissement du courant, le programme reprend là où il s'était arrêté.

À la fin du cycle, [End/PF] s'affichera alternativement pour indiquer qu'une coupure de courant s'est produite et a pu affecter l'exécution du programme.

## Ouvrir la porte (pause/annulation/changement de programme)

La porte de la machine à laver peut être ouverte si le niveau d'eau est suffisamment bas et si l'eau la température n'est pas excessivement élevée.



### INFORMATION!

En cas de panne de courant ou si l'appareil est débranché, la porte ne peut pas être ouverte. Vérifiez que l'appareil est correctement branché ou contactez un technicien.

## Affichage du nombre de cycles de lavage terminés

(selon le modèle)

Si l'appareil est débranché pendant 10 secondes puis rebranché, l'écran affichera le nombre de cycles de lavage effectués pendant 3 secondes. Ensuite, l'appareil se remettra en veille.

# NETTOYAGE ET ENTRETIEN



## CHOC ÉLECTRIQUE !

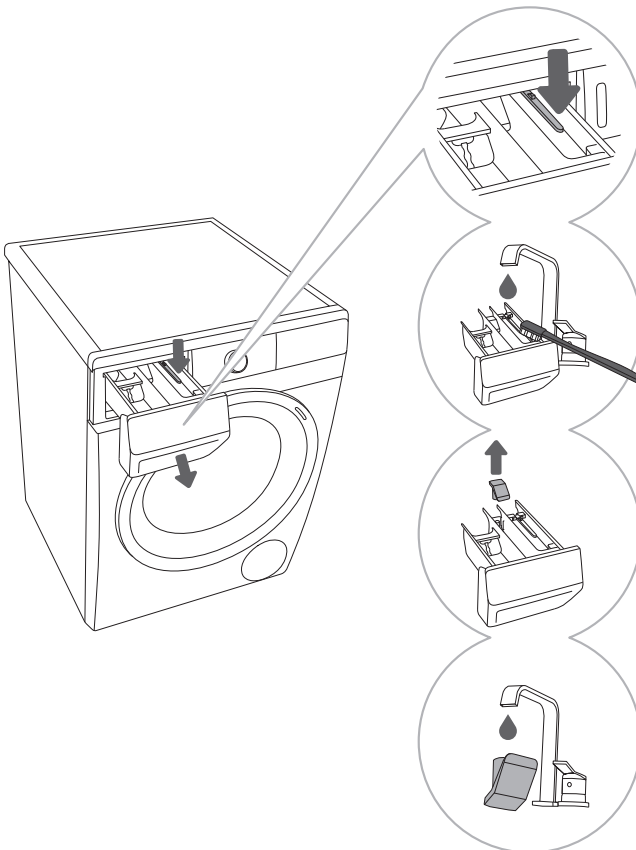
Avant de procéder au nettoyage, débranchez la machine à laver du secteur.

## Nettoyage du plateau distributeur



### INFORMATION!

Le bac distributeur doit être nettoyé au moins deux fois par mois.



**1** Pour retirer le retirez le plateau distributeur de son logement en appuyant sur la petite languette.

**2** Nettoyez le plateau du distributeur nettoyez sous l'eau courante à l'aide d'une brosse, puis séchez. Veillez à éliminer tout résidu de détergent du fond du boîtier.

**3** Si nécessaire, retirez et nettoyer le capuchon de la prise

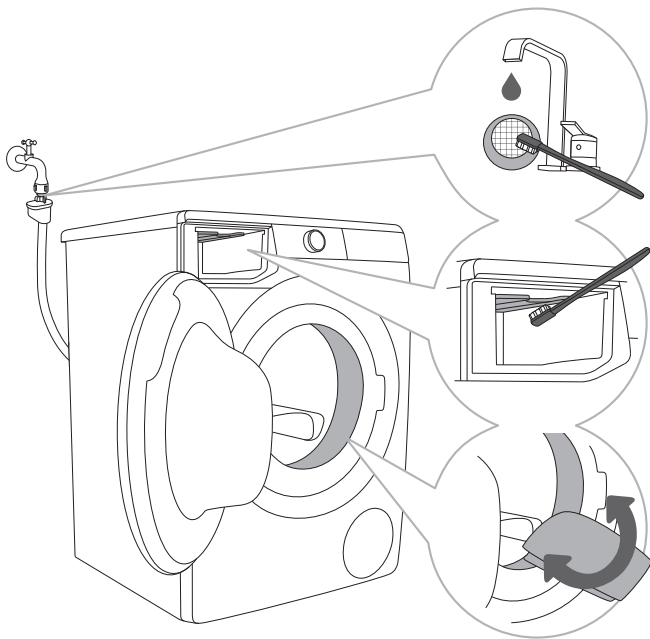
**4** Nettoyez le capuchon de la prise sous l'eau courante et remplacez-le



### INFORMATION!

Ne lavez pas le compartiment à détergent du lave-vaisselle!

## Nettoyage du tuyau d'alimentation en eau, du boîtier du distributeur de détergent et du joint de porte en caoutchouc



**1** Nettoyez régulièrement le filtre sous l'eau courante.

**2** Nettoyez le tuyau d'alimentation en eau, du boîtier du distributeur de détergent et du joint de porte en caoutchouc. L'ensemble de la section de rinçage de la machine à laver, et plus particulièrement les buses situées sur la partie supérieure de la chambre de rinçage.

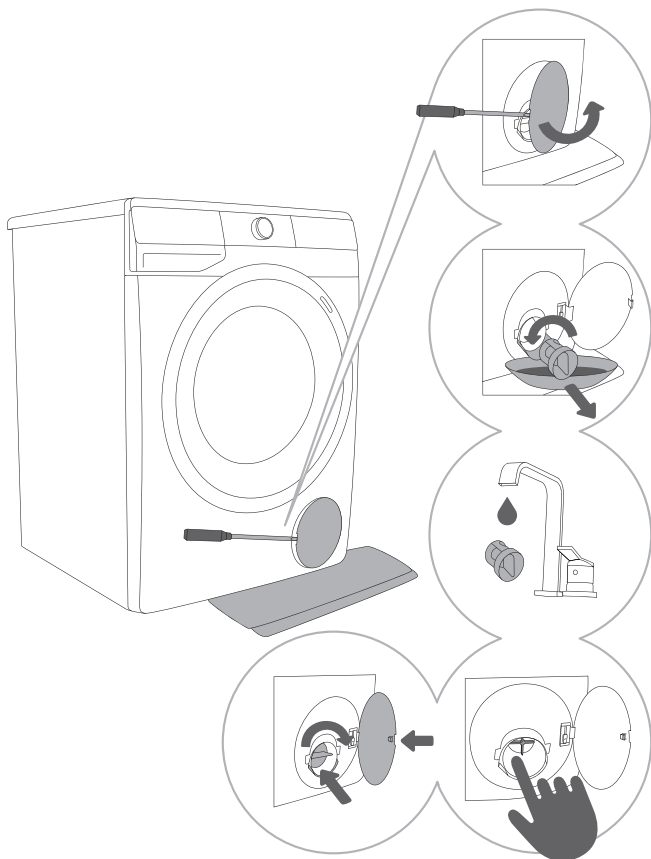
**3** Après chaque lavage, essuyez. Nettoyez le joint de porte en caoutchouc et retirez tout objet qui aurait pu s'y coincer afin de prolonger sa durée de vie.

# Nettoyage du filtre de la pompe



## INFORMATION!

Lors du nettoyage, il est possible que de l'eau soit renversée. Il est donc recommandé de placer un chiffon absorbant sur le sol.



**1** Ouvrez le filtre de la pompe retirer le bouchon à l'aide d'un outil approprié (tournevis plat ou outil similaire).

**2** Retirez le robinet d'évacuation d'eau entonnoir avant de nettoyer le filtre de la pompe. Tournez lentement le filtre de la pompe dans le sens inverse des aiguilles d'une montre. Retirez-le ensuite pour permettre à l'eau de s'écouler lentement.

**3** Nettoyer le filtre de la pompe complètement rincée à l'eau courante.

**4, 5**

Supprimer tout et n'importe quoi objets et impuretés provenant du boîtier du filtre et de l'hélice de la pompe. Remplacez le filtre de la pompe comme indiqué sur la figure et fixez-le en le tournant dans le sens horaire. Pour une bonne étanchéité, la surface du joint du filtre doit être propre.



## INFORMATION!

Nous recommandons un nettoyage régulier du filtre de la pompe une fois par mois. Nettoyez-le plus souvent lorsque vous lavez du linge en polaire sale ou vieux.

# Nettoyage de l'extérieur de la machine à laver



## CHOC ÉLECTRIQUE !

Débranchez toujours la machine à laver du secteur avant de la nettoyer.

Nettoyez l'extérieur et le panneau d'affichage de la machine à laver à l'aide d'un chiffon doux en coton humide et d'eau.



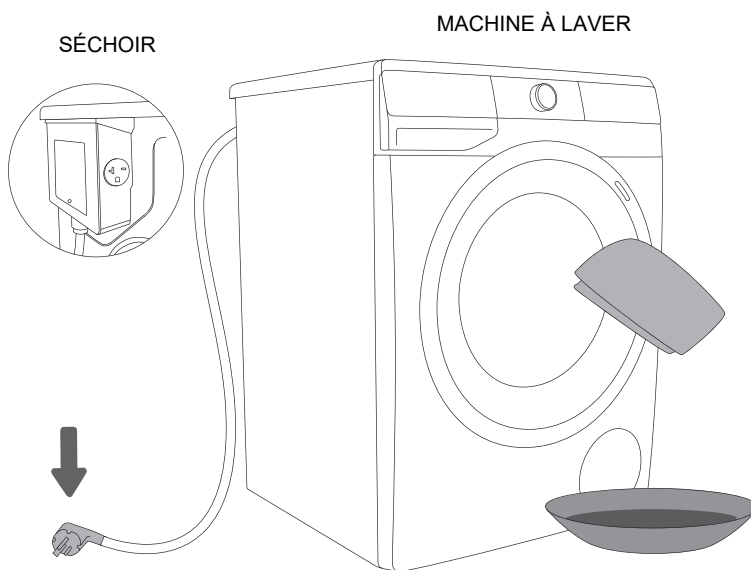
## AVERTISSEMENT!

N'utilisez aucun solvant ni produit de nettoyage susceptible d'endommager la machine à laver (suivez les recommandations et les avertissements fournis par les fabricants des produits de nettoyage).



## INFORMATION!

Ne nettoyez pas la machine à laver avec un jet d'eau !

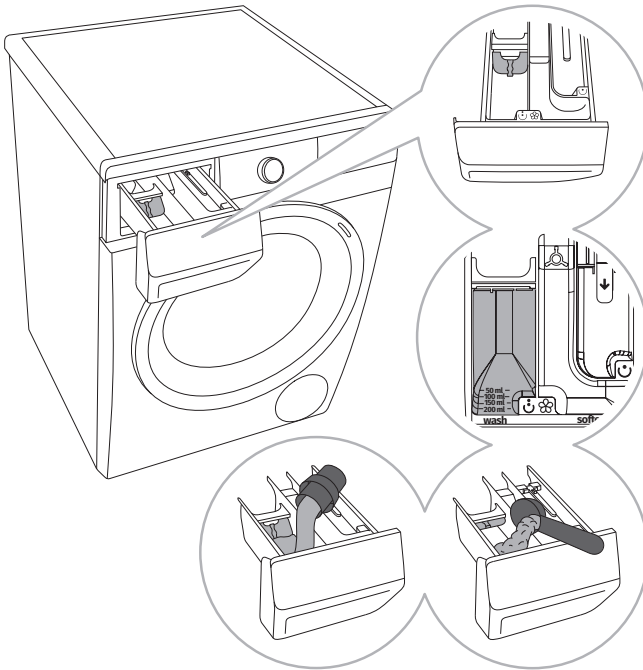


# RECOMMANDATIONS POUR LE LAVAGE ET UTILISEZ VOTRE MACHINE À LAVER DE MANIÈRE ÉCONOMIQUE

- Lavez les nouveaux vêtements de couleur séparément lors du premier lavage.
- Lavez le linge très sale en plus petites quantités, en utilisant davantage de lessive en poudre ou en sélectionnant un cycle de pré-lavage.
- Pour le linge peu sale, nous recommandons un programme sans pré-lavage, l'utilisation de cycles plus courts (par ex. REDUCE TIME) et une température de lavage plus basse.
- Appliquez un détachant spécifique sur les taches tenaces avant le lavage.
- N'utilisez pas d'eau de Javel à base de chlore, car elle risque d'endommager la résistance.
- Si vous effectuez des lavages à basse température et/ou utilisez des lessives liquides, des micro-organismes risquent de se développer et de provoquer des odeurs désagréables à l'intérieur du lave-linge. Laissez la porte du lave-linge ouverte après chaque cycle pour permettre à l'appareil de sécher. Si vous détectez une odeur désagréable, lancez le programme Nettoyage de la cuve.
- **Pour prévenir et éliminer les dépôts de calcaire**, utilisez uniquement des produits contenant une protection anticorrosion intégrée. Respectez les instructions du fabricant du produit de nettoyage. Pour éliminer les dépôts de calcaire, nous recommandons de lancer le programme Nettoyage de la cuve. Ajoutez du vinaigre d'alcool (environ 2 dl).
- Évitez de laver de très petites charges de linge, car cela entraîne une consommation d'énergie inutile et réduit l'efficacité du lavage.  
Pour une efficacité optimale, remplissez le lave-linge jusqu'à la capacité recommandée spécifiée par le fabricant pour chaque programme.
- À des vitesses d'essorage plus élevées, le linge contiendra moins d'humidité résiduelle. Par conséquent, le séchage au sèche-linge sera plus économique et plus rapide.
- Défroissez le linge plié avant de le placer dans le tambour.
- Si la dureté de l'eau dépasse 250 ppm (14 °dH), il convient d'utiliser un adoucisseur d'eau. Les dommages causés à la résistance résultant d'une mauvaise utilisation des adoucisseurs d'eau ne sont pas couverts par la garantie. Renseignez-vous sur la dureté de l'eau auprès de votre compagnie ou autorité locale de distribution d'eau.

## Compartiment à détergent

N'introduisez pas de grumeaux durcis de lessive en poudre dans le distributeur de détergent, car cela risquerait d'obstruer les canalisations de la machine à laver.



**1** Onglet séparateur/diviseur est fourni avec la machine à laver, ce qui permet d'ajouter de la lessive liquide dans le compartiment de lavage principal.

☺ (compartiment gauche).

**2** Poudre et liquide indicateur de niveau de détergent.

**3** Lors de l'utilisation de poudre Pour utiliser du détergent, il faut soulever la languette de séparation.

**4** Lors de l'utilisation de liquide pour le détergent, la languette de séparation doit être abaissée.

### Symboles des compartiments du distributeur de détergent

☺	prélavage
☺	lavage principal
☼	ramollissement

## Détergents

### 💡- INFORMATION!

Les détergents portant le label de protection de l'environnement sont moins nocifs pour l'environnement.

### N'ajoutez les détergents que conformément aux recommandations des fabricants.

La quantité recommandée de lessive en fonction du volume de lavage et du niveau de dureté de l'eau est indiquée sur l'emballage.

Pour doser correctement les détergents, notamment les liquides, utilisez les accessoires fournis par le fabricant.

### 💡- INFORMATION!

Nous vous recommandons d'ajouter la lessive en poudre juste avant le début du cycle de lavage. Si vous l'ajoutez plus tôt, assurez-vous que le compartiment à lessive du bac à lessive soit parfaitement sec avant d'y verser la lessive en poudre : sinon, celle-ci risque de s'agglomérer avant le début du lavage.

## Détergents appropriés

Utilisez uniquement des lessives pour lavage en machine.

Lors de l'utilisation de produits de lessive liquides épais, nous recommandons de les diluer avec de l'eau afin d'éviter obstruant le drain du bac distributeur. Les lessives liquides sont conçues pour les programmes de lavage sans cycle de prélavage.

Vous pouvez utiliser toutes les lessives modernes destinées aux machines à laver domestiques. L'emballage de la lessive contient des instructions d'utilisation et de dosage, qui s'appliquent à la quantité maximale de remplissage.

Le dosage de détergent dépend de:

- à quel point le linge est sale
- la quantité de linge et
- dureté de l'eau

Water hardness	Hardness levels			
	°dH (°N)	m mol/l	°fH (°F)	p.p.m.
1 – soft	< 8,4	< 1,5	< 15	< 150
2 – normal	8,4–14	1,5–2,5	15–25	150–250
3 – hard	> 14	> 2,5	> 25	> 250



### INFORMATION!

Veuillez vous renseigner sur la dureté de l'eau auprès de votre compagnie ou autorité locale de distribution d'eau.


## Accessoires de dosage

Pour doser correctement les détergents, notamment les liquides, utilisez les accessoires fournis par le fabricant.

## Adoucissants



### INFORMATION!

Versez l'après-shampooing dans le bac distributeur, dans le compartiment portant le  symbole la recommandation figurant sur l'emballage de l'après-shampooing.



### INFORMATION!

Ne pas remplir le compartiment de l'après-shampooing au-delà du niveau maximum indiqué. Sinon, l'adoucissant sera ajouté trop tôt au linge, ce qui donnera un lavage moins efficace.

## Conseils pour enlever les taches

Avant d'utiliser des détachants spécifiques, essayez les méthodes naturelles qui n'abîment pas les tissus. l'environnement sur les taches moins tenaces.

Toutefois, une action rapide est nécessaire ! Imbibez la tache avec une éponge absorbante ou un essuie-tout ; puis, rincer à l'eau froide (tiède) – mais jamais à l'eau chaude !

**L'utilisation de produits de blanchiment ou de détachants comporte un risque de rouille (corrosion) et décoloration.**

**AVERTISSEMENT!**

Pour protéger l'environnement, nous déconseillons l'utilisation de produits chimiques puissants.

Taches	Détachage
<b>Boue</b>	Une fois la tache sèche, grattez-la délicatement avant de laver le vêtement en machine. Si la tache est tenace, faites-la tremper dans un détachant enzymatique avant le lavage. Si la tache est légère, lavez le linge avec de la lessive liquide ou en poudre et de l'eau.
<b>Anti-transpirant</b>	Avant de laver le linge en machine, appliquez de la lessive liquide sur le linge. Appliquez un détachant sur les taches tenaces. Vous pouvez également utiliser un agent de blanchiment à base d'oxygène pour le lavage.
<b>Thé</b>	Faites tremper ou rincez le linge à l'eau froide et ajoutez un détachant si nécessaire.
<b>Chocolat</b>	Faites tremper ou rincez le linge à l'eau tiède savonneuse. Ensuite, appliquez du jus de citron et rincer.
<b>Encre</b>	Avant le lavage en machine, appliquez un détachant sur la tache. Vous pouvez également utiliser de l'alcool dénaturé. Retournez le vêtement et placez un essuie-tout sous la tache. Appliquez l'alcool sur l'envers de la tache. À la fin du processus, rincez soigneusement le vêtement.
<b>Stylos à pointe feutre</b>	Diluez de l'amidon dans de l'eau et appliquez-le sur la tache. Une fois sec, grattez-le avec une brosse, puis lavez le vêtement en machine.
<b>Aliments pour bébés</b> (urine, boue, taches de nourriture)	Avant de laver en machine, faites tremper les taches dans de l'eau tiède pendant au moins une demi-heure. Pour faciliter le détachage, ajoutez un détachant enzymatique.
<b>Herbe</b>	Avant de laver le linge en machine, faites-le tremper dans un détachant enzymatique. Les taches d'herbe peuvent également être éliminées en le faisant tremper (pendant environ 1 heure) dans du jus de citron dilué ou du vinaigre blanc.
<b>Œufs</b>	Faites tremper le vêtement dans un détachant enzymatique. Laissez-le tremper dans de l'eau froide pendant au moins 30 minutes, voire quelques heures si les taches sont tenaces. Lavez-le ensuite en machine.
<b>Café</b>	Faites tremper le vêtement dans de l'eau salée. Si la tache n'est pas fraîche, faites-la tremper dans un mélange de glycérine, d'ammoniaque et d'alcool.
<b>Cirage</b>	Appliquez de l'huile de cuisson sur la tache et rincez.
<b>Sang</b>	Tache fraîche – rincez le vêtement à l'eau froide et lavez-le en machine. Tache sèche – faites tremper le vêtement dans un détachant enzymatique. Lavez-le ensuite en machine. Si la tache persiste, essayez un agent de blanchiment adapté à votre vêtement.
<b>Colle, chewing-gum</b>	Placez le vêtement dans un sac et mettez-le au congélateur jusqu'à ce que la tache durcisse. Retirez-la ensuite avec un couteau non tranchant. Diluez la tache avec un détachant avant lavage et rincez abondamment. Lavez ensuite le linge comme d'habitude.
<b>Se maquiller</b>	Utilisez un détachant pour le pré-lavage; puis lavez en machine.
<b>Beurre</b>	Avant le lavage en machine, appliquez un détachant sur la tache. Rincez ensuite à l'eau chaude (aussi chaude que le tissu le supporte).
<b>Lait</b>	Faites tremper le vêtement dans un détachant enzymatique. Laissez tremper pendant au moins 30 minutes, voire quelques heures si les taches sont tenaces. Ensuite, lavez-le en machine.

Taches	Détachage
<b>Jus de fruit</b>	Appliquez un mélange d'eau et de sel sur la tache. Laissez agir quelques instants, puis rincez. Vous pouvez également appliquer du bicarbonate de soude, du vinaigre blanc ou du jus de citron sur la tache avant le lavage en machine. Pour les taches anciennes, utilisez de la glycérine. Après 20 minutes, rincez à l'eau froide, puis lavez le linge en machine.
<b>Vin</b>	Faites tremper le linge dans de l'eau froide pendant au moins 30 minutes. Utilisez également un détachant. Ensuite, lavez en machine.
<b>Cire</b>	Placez le vêtement au congélateur jusqu'à ce que la cire durcisse. Ensuite, grattez-la. Enlevez la cire restante en plaçant un essuie-tout sur la tache, puis chauffez-le avec un fer à repasser jusqu'à ce que le papier absorbe la cire.
<b>Transpirer</b>	Avant de laver en machine, frottez soigneusement la tache avec du détergent liquide.

## mode veille faible

Si vous ne lancez aucun programme ou ne sélectionnez aucun réglage après avoir allumé la machine à laver (bouton de sélection du programme), l'unité d'affichage s'éteindra au bout de 5 minutes et passera en mode veille afin d'économiser de l'énergie.

L'écran peut être réactivé en tournant le sélecteur de programme. Si vous ne faites rien pendant 5 minutes après la fin d'un programme, l'écran s'éteindra pour économiser l'énergie.

$P_o$ = puissance pondérée à l'arrêt [W]	< 0,5
$P_l$ = puissance pondérée en veille [W]	< 0,5
$T_l$ = temps de veille [min]	5,00

# DÉPANNAGE

La machine à laver contrôlera automatiquement le fonctionnement de certaines fonctions pendant le cycle de lavage. En cas d'anomalie, un message d'erreur (E:XX) s'affichera.


La machine à laver affichera l'erreur jusqu'à ce qu'elle soit éteinte. Des perturbations environnementales (par exemple, du réseau électrique) peuvent entraîner divers rapports d'erreur (voir la section DÉPANNAGE ET TABLEAU DES ERREURS).

## Dans ce cas:

- Éteignez la machine à laver et attendez quelques secondes.
- Rallumez la machine à laver et relancez le programme de lavage.
- La plupart des erreurs rencontrées pendant le fonctionnement peuvent être résolues par l'utilisateur (voir DÉPANNAGE ET ERREURS TABLEAU).
- Si l'erreur persiste, contactez un centre de service agréé.
- Les réparations doivent être effectuées uniquement par du personnel qualifié.

Les erreurs affichées sur l'écran peuvent inclure les éléments suivants:

Problème/ Erreur	Indication sur l'unité d'affichage et description du problème	ce qu'il faut faire?
<b>E:00</b>	<b>Paramètres incorrects</b>	Redémarrez le programme. Si l'erreur persiste, contactez un technicien.
<b>E:01</b>	<b>Erreur du capteur de température</b>	L'eau d'arrivée est trop froide. Répétez le programme de lavage. Si la machine à laver signale à nouveau cette erreur, appelez un technicien de service.
<b>E:02</b>	<b>Erreur de verrouillage de la porte</b>	Si un signal sonore retentit après avoir appuyé sur le bouton <b>START/PAUSE</b> , il se peut que la porte ne soit pas correctement fermée. Vérifiez que la porte de la machine à laver est bien fermée.  Débranchez le cordon d'alimentation de la prise murale, puis rebranchez-le et allumez l'appareil.  Si l'erreur se reproduit, appelez un technicien de maintenance.
<b>E:03</b>	<b>Erreur de remplissage d'eau</b>	Veillez vérifier les éléments suivants: <ul style="list-style-type: none"><li>• La vanne d'arrivée d'eau est-elle ouverte?</li><li>• Le filtre du tuyau d'arrivée d'eau est-il propre?</li><li>• Le tuyau d'alimentation en eau est-il déformé (coupé, bouché, etc.)?</li><li>• La pression dans le réseau d'eau est-elle comprise entre 0,05 et 0,8 MPa (0,5 à 8 bar)?</li></ul> Appuyez ensuite sur <b>START/PAUSE</b> pour reprendre le programme. Si l'erreur se reproduit, appelez un technicien de maintenance.



Problème/ Erreur	Indication sur l'unité d'affichage et description du problème	ce qu'il faut faire?
E:06	Erreur de chauffage de l'eau	Redémarrez le programme; si l'erreur se reproduit, appelez un technicien de maintenance.
 E:07	Erreur de vidange d'eau	Veuillez vérifier les éléments suivants: <ul style="list-style-type: none"> <li>• Le filtre de la pompe est-il propre ?</li> <li>• Le tuyau d'évacuation est-il bouché ?</li> <li>• La canalisation est-elle bouchée ?</li> <li>• si le tuyau de refoulement est placé en dessous la hauteur maximale et supérieure à la hauteur minimale (voir INSTALLATION ET CONNEXION/Raccordement et sécurisation de l'eau tuyau de refoulement)</li> </ul> Appuyez de nouveau sur <b>START/PAUSE</b> . Si l'erreur persiste, contactez un technicien.
	Quantité excessive de détergent	Une quantité excessive de détergent peut provoquer une formation excessive de mousse dans le tambour. Voir la description pour [Fd].
E:09	Fuite d'eau détectée dans la zone de machine à laver	Éteignez la machine à laver et remettez-la en marche sur. Inspectez l'extérieur de l'appareil. Si vous le faites Si vous ne constatez aucune fuite, vous pouvez continuer à l'utiliser la machine à laver.
E:10	Erreur du capteur de niveau d'eau	Débranchez le cordon d'alimentation de la prise, puis rebranchez-le. Ensuite, allumez l'appareil. Purgez l'appareil. Pour ce faire, videz et nettoyez le filtre et nettoyez le siphon mural. Si l'erreur se reproduit, appelez un technicien de maintenance.
E:11	Débordement d'eau	Si le niveau d'eau dans le tambour dépasse sa capacité et qu'une erreur apparaît sur l'écran, le programme s'arrêtera et l'appareil videra l'eau. Redémarrez le programme. Si l'erreur persiste, contactez un technicien de maintenance. Si la machine à laver continue de se remplir d'eau même lorsque le niveau d'eau dépasse sa capacité et qu'une erreur apparaît sur l'écran, fermez le robinet d'eau et contactez un technicien de service.
	Quantité excessive de détergent	Une quantité excessive de détergent peut provoquer une formation excessive de mousse dans le tambour. Voir la description pour [Fd].

<b>Problème/ Erreur</b>	<b>Indication sur l'unité d'affichage et description du problème</b>	<b>ce qu'il faut faire?</b>
<b>E:12</b>	<b>Erreur de commande du moteur</b>	Redistribuez manuellement le linge (linge coincé ou emmêlé) et répétez le programme de lavage.
<b>E:22</b>	<b>Erreur lors du verrouillage de la porte</b>	La porte est fermée, mais elle ne peut pas être verrouillée. Éteignez la machine à laver. Rallumez-la et relancez le programme de lavage. Si l'erreur se reproduit, appelez un technicien de maintenance.
<b>E:23 E:24</b>	<b>Erreur lors du déverrouillage du porte</b>	La porte est fermée, mais elle ne peut pas être déverrouillée. Éteignez l'appareil puis rallumez-le. Si l'erreur se reproduit, appelez un technicien de maintenance. Pour ouvrir la porte, voir INTERRUPTIONS ET CHANGEMENT DE PROGRAMME/Ouverture de la porte (pause/annulation/changement de programme).
<b>E:36 E:37</b>	<b>Communication électronique échec du lavage machine</b>	Débranchez le cordon d'alimentation de la prise murale; rebranchez-le ensuite et allumez la machine à laver. Si l'erreur se reproduit, appelez un technicien de maintenance.
<b>E:40</b>	<b>Avertissement du système pour détection d'un lavage prolongé fluctuation de la tension de la machine – 180 V &gt; U &gt; 260 V</b>	Une chute de tension prolongée en dessous de 180 V, ou Une tension supérieure à 260 V a été détectée, ce qui peut affecter le fonctionnement de la machine à laver. Vérifiez le réseau d'alimentation électrique auquel votre La machine à laver est branchée.
<b>E:41</b>	<b>Avertissement du système pour détection d'une alimentation incorrecte fréquence du secteur (50/60 Hz)</b>	Lors de la mise en marche de la machine à laver, le système a détecté une fréquence d'alimentation électrique incorrecte, ce qui pourrait affecter le fonctionnement de la machine. Tout problème sur le réseau électrique doit être vérifié et corrigé.

Les avertissements/informations destinés à l'utilisateur, qui peuvent être affichés sur l'écran, peuvent inclure les éléments suivants:

<b>Avertissement/ Information</b>	<b>Indication sur l'unité d'affichage</b>	<b>Cause et description de l'erreur: que faire?</b>
<b>AC</b>	<b>ANTI-PLIS (PLIS PRÉVENTION), fonction qui vous avez sélectionné comme partie du programme de lavage activé et en cours</b>	Pour annuler ou arrêter la fonction ANTI- PLIS (PRÉVENTION DES PLIS), tournez le sélecteur de programme sur la position OFF. ⏻

Avertissement/ Information	Indication sur l'unité d'affichage	Cause et description de l'erreur, que faire?
CLF	Alerte du système de drainage des eaux.	<p>Alerte concernant une réduction du débit d'eau lors du pompage. Vérifiez les points suivants:</p> <ul style="list-style-type: none"> <li>• Le filtre de la pompe est-il propre ?</li> <li>• Le tuyau d'évacuation est-il bouché ?</li> <li>• La canalisation est-elle bouchée ?</li> <li>• Si le tuyau de refoulement placé est placé en dessous du maximum et au-dessus du hauteur minimale (voir INSTALLATION ET CONNEXION/Connexion et fixer le tuyau d'évacuation d'eau).</li> </ul>
CLn	<p><b>Avertissement système: exécuter la assainir la baignoire (programme autonettoyant)</b></p> <p>Une fois le programme de lavage terminé, l'affichage clignotera [CLn] et [End].</p>	<p>Lorsque le message d'avertissement [CLn] apparaît à l'écran après un cycle de lavage, procédez comme suit:</p> <ul style="list-style-type: none"> <li>• Nettoyer le récipient doseur</li> <li>• Nettoyer le tuyau d'alimentation en eau avec du détergent distributeur et joint de porte en caoutchouc</li> <li>• Nettoyer le filtre de la pompe (voir NETTOYAGE ET L'ENTRETIEN)</li> <li>• Lancez le programme d'autonettoyage (voir ÉTAPES DE LAVAGE (1-7)/3. Étape: Tableau du programme).</li> </ul> <p>Le programme d'autonettoyage sert à nettoyer le tambour et à éliminer les résidus de lessive et les bactéries. Le tambour doit être vide. N'ajoutez ni lessive ni adoucissant. Pour un détartrage efficace, vous pouvez ajouter un peu de vinaigre d'alcool (environ 2 dl) ou de bicarbonate de soude (1 cuillère à soupe ou 15 g). Nous vous recommandons d'utiliser ce programme au moins une fois par mois ou dès que le message d'avertissement [CLn] s'affiche.</p>
Fd	<p><b>Avertissement du système pour détection d'un moussage excessif pendant le programme de lavage.</b></p>	<p>En cas de moussage excessif lors du lavage machine ou fuite de mousse à travers le détergent bac distributeur, le linge lavé doit être rincé abondamment avec une grande quantité de eau. Choisissez un programme de lavage, mais ne ajouter du détergent.</p> <ul style="list-style-type: none"> <li>• Nous recommandons de choisir le rinçage Programme (Rinçage et adoucissement).</li> <li>• Diminuez la quantité de détergent ajoutée.</li> </ul>

Warning/ Information	Indication on the display unit	Error cause and description, what to do?
<b>PF</b>	<b>Avertissement de panne d'alimentation</b>	Le système a détecté une panne d'alimentation électrique. pendant le déroulement du programme de lavage, qui a affecté le fonctionnement du lavage programme. Vérifiez le réseau d'alimentation électrique.
<b>PF</b> <b>End</b>	<b>Avertissement de panne d'alimentation</b>	Une fois le cycle de lavage terminé, [End] et [PF] alterneront sur l'unité d'affichage. Ce message informe l'utilisateur d'une coupure de courant et de son impact sur le déroulement du programme de lavage. Le programme reprend là où il a été interrompu et se termine ensuite correctement.
<b>U:Lo</b>	<b>Avertissement – U:Lo (tension inférieure à 180 V)</b>	Une chute de tension prolongée en dessous de 180 V a été détecté, ce qui peut affecter le lavage fonctionnement de la machine. Vérifiez le réseau d'alimentation électrique.
	<b>Unité d'affichage non réactive et tous les boutons</b>	Débranchez le cordon d'alimentation de la prise. Vérifiez si la tension d'alimentation est adaptée au lavage machine (220–240 V); puis, branchez l'alimentation. Rebranchez le cordon à la prise et allumez l'interrupteur machine à laver.
<b>U:Hi</b>	<b>Avertissement – U:Hi (tension supérieure à 260 V)</b>	Une surtension prolongée à plus de 260 V a été observée. détecté, ce qui peut affecter le lavage fonctionnement de la machine. Vérifiez le réseau d'alimentation électrique.
	<b>Machine à laver sur pied par, prêt à reprendre le programme de lavage.</b>  Le temps restant avant la fin du programme clignote sur l'écran.	Pour reprendre le programme de lavage, appuyez sur le bouton <b>START/PAUSE</b> .
	<b>Préparation au déverrouillage du porte.</b>  Les feux de signalisation clignoteront sur le afficher.	Attendez la fin du processus. Si aucune erreur ne s'affiche, un nouveau cycle peut commencer courir. Attendez que l'eau s'écoule complètement avant de pouvoir déverrouiller la porte.



### INFORMATION!

**Bruit et vibrations** – assurez-vous que l'appareil est de niveau à l'aide des pieds réglables et que les contre-écrous sont bien serrés.

Si vous avez vérifié les informations ci-dessus et que vous avez toujours besoin d'aide avec votre appareil, appelez notre service clientèle au **800-932-4267** (poste **513**) entre 9h00 et 17h00 HE ou visitez notre site Web **summitappliance.com/support** à tout moment. Nous ferons de notre mieux pour répondre à vos questions.

Pour commander des pièces de rechange, rendez-vous sur notre site: **summitapplianceparts.com**

Le linge mal réparti ou les amas de linge dans le tambour de la machine à laver peuvent causer des problèmes comme des vibrations et un fonctionnement bruyant. La machine à laver détecte ces problèmes et le système UKS\* (\*système de contrôle de stabilité) sera activé.

Les petites charges (par exemple une serviette, un pull, un peignoir, etc.) ou les vêtements confectionnés dans des matières spéciales Il est pratiquement impossible de répartir uniformément les propriétés géométriques sur le tambour de la machine à laver (pantoufles, articles volumineux, etc.). Cela entraîne plusieurs tentatives de redistribution du linge, ce qui, à son tour, cela entraîne une durée de programme plus longue. Dans des cas extrêmes de conditions défavorables, le programme peut être terminé sans cycle d'essorage.

Le système UKS\* (\*système de contrôle de stabilité) permet un fonctionnement stable et une durée de vie utile plus longue de la machine à laver.

Si les problèmes persistent malgré le respect des conseils ci-dessus, appelez un technicien de service agréé.



#### **AVERTISSEMENT!**

En cas de défaut, utilisez uniquement des pièces de rechange homologuées par des fabricants agréés.



#### **AVERTISSEMENT!**

Les réparations ou toute réclamation au titre de la garantie résultant d'un ranchement ou d'une utilisation incorrects de la machine à laver ne sont pas couvertes par la garantie. Dans ce cas, les frais de réparation sont à la charge de l'utilisateur.



#### **INFORMATION!**

La garantie ne couvre pas les consommables, les légères variations de couleur, l'augmentation du bruit due à l'âge de l'appareil et qui n'affecte pas son fonctionnement, ni les défauts esthétiques des composants qui n'affectent pas le fonctionnement et la sécurité de l'appareil.



#### **INFORMATION!**

La garantie ne couvre pas les erreurs ou les pannes résultant de perturbations environnementales (foudre, pannes du réseau électrique, catastrophes naturelles, etc.).



#### **INFORMATION!**

Certains défauts simples décrits dans la section DÉPANNAGE peuvent être résolus en suivant les instructions sans risque pour la sécurité des utilisateurs et sans affecter les conditions de garantie.

## **DISPOSAL**



Les emballages sont fabriqués à partir de matériaux écologiques qui peuvent être recyclés, éliminés ou détruits sans aucun risque pour l'environnement. À cette fin, les matériaux d'emballage sont étiquetés en conséquence.

Le symbole apposé sur le produit ou son emballage indique qu'il ne doit pas être jeté avec les ordures ménagères. Veuillez le déposer dans un centre de collecte agréé pour le traitement des déchets d'équipements électriques et électroniques (DEEE).

Lors de la mise au rebut du sèche-linge en fin de vie, retirez tous les cordons d'alimentation et détruisez le loquet et l'interrupteur de la porte pour empêcher le verrouillage de celle-ci (sécurité enfant).

L'élimination correcte du produit contribuera à prévenir tout impact négatif sur l'environnement et la santé publique, qui pourrait survenir en cas d'élimination incorrecte. Pour obtenir des informations détaillées sur l'élimination et le traitement du produit, veuillez contacter le service municipal compétent en matière de gestion des déchets, votre service de collecte des déchets ou le magasin où vous avez acheté le produit.

## GARANTIE LIMITÉE

### GARANTIE LIMITÉE D'UN AN

La couverture de garantie est disponible dans les 48 États continentaux des États-Unis, ainsi que dans certaines régions de l'Alaska, d'Hawaï et du Canada. Pour les endroits non couverts, les consommateurs peuvent soit contacter un fournisseur local, soit coordonner avec Felix Storch, Inc. afin de trouver des options de service à proximité, lesquelles peuvent donner droit à un remboursement partiel.

La garantie de cet appareil est valable pendant un an à compter de la date d'achat, à condition que l'appareil soit utilisé et entretenu conformément aux instructions fournies avec le produit. Le garant prendra en charge le coût des pièces d'origine spécifiées par l'usine et de la main-d'œuvre nécessaire pour corriger les défauts de matériaux ou de fabrication. Le service doit être effectué par une entreprise de service désignée.

Toutes les pièces, sauf le compresseur, sont garanties pendant un an contre les défauts de fabrication. Les pièces en plastique, les étagères et les armoires sont fabriquées selon des normes commerciales acceptables, mais ne sont pas couvertes en cas de dommages subis lors de la manipulation ou de bris.

### ÉLÉMENTS NON COUVERTS PAR LE GARANT:

1. Les appels de service visant à corriger l'installation de votre appareil, à vous expliquer son utilisation, à remplacer ou réparer des fusibles ou à corriger le câblage ou la plomberie.
2. Les appels de service pour réparer ou remplacer les ampoules de l'appareil ou les étagères cassées. Les pièces consommables (comme les filtres) sont exclues de la couverture de garantie.
3. Les dommages résultant d'un accident, d'une modification, d'une mauvaise utilisation, d'un abus, d'un incendie, d'une inondation, de catastrophes naturelles, d'une installation incorrecte, d'une installation non conforme aux codes électriques ou de plomberie, ou de l'utilisation de produits non approuvés par le garant.
4. Les pièces de rechange ou les coûts de main-d'œuvre pour des appareils utilisés en dehors des 48 États continentaux des États-Unis, ainsi que dans certaines régions de l'Alaska, d'Hawaï et du Canada.
5. Les réparations de pièces ou de systèmes résultant de modifications non autorisées apportées à l'appareil.
6. Les frais de déplacement et de transport pour le service du produit dans des endroits éloignés.
7. Le retrait et la réinstallation de votre appareil s'il est installé dans un endroit inaccessible ou non installé conformément aux instructions d'installation publiées.

### EXONÉRATION DE GARANTIES IMPLICITES ; LIMITATION DES RECOURS

LE SEUL ET UNIQUE RECOURS DU CLIENT EN VERTU DE LA PRÉSENTE GARANTIE LIMITÉE CONSISTE EN LA RÉPARATION DU PRODUIT TELLE QUE PRÉVUE CI-DESSUS. LES GARANTIES IMPLICITES, Y COMPRIS LES GARANTIES DE QUALITÉ MARCHANDE OU D'APTITUDE À UN USAGE PARTICULIER, SONT LIMITÉES À UNE DURÉE D'UN AN. LE GARANT NE SERA PAS RESPONSABLE DES DOMMAGES INDIRECTS OU CONSÉCUTIFS. CERTAINS ÉTATS N'AUTORISENT PAS L'EXCLUSION OU LA LIMITATION DES DOMMAGES INDIRECTS OU CONSÉCUTIFS, NI LES LIMITATIONS DE DURÉE DES GARANTIES IMPLICITES DE QUALITÉ MARCHANDE OU D'APTITUDE, DE SORTE QUE CES EXCLUSIONS OU LIMITATIONS PEUVENT NE PAS S'APPLIQUER À VOUS. CETTE GARANTIE VOUS CONFÈRE DES DROITS LÉGAUX SPÉCIFIQUES, ET VOUS POUVEZ ÉGALEMENT BÉNÉFICIER D'AUTRES DROITS QUI VARIENT SELON L'ÉTAT.



**AVERTISSEMENT : Ce produit peut vous exposer à des produits chimiques, y compris le Nickel (Métallique) qui est connu dans l'État de Californie pour provoquer le cancer.**

**Pour plus d'informations, rendez-vous sur [www.P65Warnings.ca.gov](http://www.P65Warnings.ca.gov)**

Remarque : Le Nickel est un composant de tout l'acier inoxydable et de certaines autres compositions Métalliques



**Felix Storch, Inc.**

An ISO 9001:2015 registered company

770 Garrison Ave

Bronx, New York 10474

[www.summitappliance.com](http://www.summitappliance.com)

**Revised: 2026-04-08**