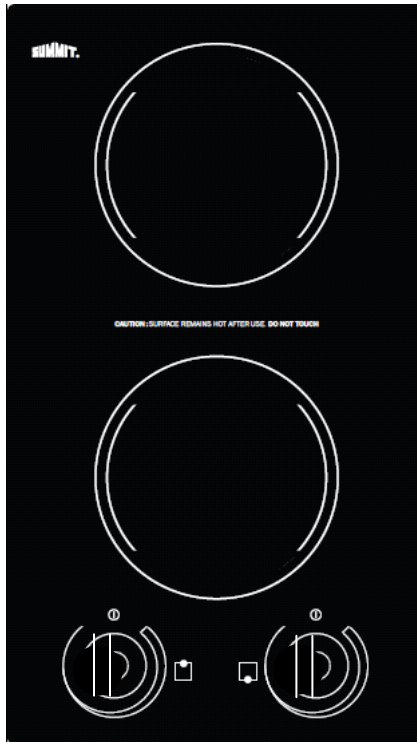




2-Burner Electric Cooktop
Table de cuisson électrique de deux brûleurs

**Models/Modèles : CR2115, CR2115WH
CR2115TK, CR2115WHTK**



Instruction Manual
Mode d'emploi

Felix Storch, Inc.
Summit Appliance Division
An ISO 9001:2015 registered company
770 Garrison Avenue
Bronx, NY 10474
www.summitappliance.com

Please read these instructions in their entirety before installation and use of your cook top. SAVE THIS MANUAL FOR FUTURE REFERENCE.

Table of Contents

Technical Information	1
Safety Instructions	2 - 3
Installation Instructions	4 - 7
Unpacking the Cooktop	4
Checking the Electrical Supply Requirements	4
Preparing the Countertop	5 - 6
Installing the Cooktop	6
Electrical Connection	7
Final Preparations Prior to Use	7
Operation	8 - 9
Cookware.....	8
Heating Elements.....	8
Controls & Indicators.....	9
Cleaning	9
Warranty	11

Technical Information

Model Number	CR2115*	CR2115WH*
Description	2-burner ceramic glass electric cooktop	
Color	black	white
Electrical Requirements	120V AC, 60Hz	
Power Rating	1200 watts (each burner)	
Diameter of each burner	6¼"	
Overall Dimensions	3¼"H x 11⅜"W x 20⅛"D	
Cutout Dimensions*	19⅜" x 10⅝" with ¼" radius	

* Suffix **TK** indicates model includes a Trim Kit that allows the unit to fit into a 15" wide cutout.

For future reference, please record the Serial Number of your cooktop here:

SAFETY INSTRUCTIONS

Read this section BEFORE operating the cooktop.

This cooktop, like all appliances, has the potential to create safety problems through careless and improper use. Please observe all of the following safety precautions.

- **Proper Installation**
Be sure your appliance is properly installed and grounded by a qualified technician.
- **Never use your appliance for warming or heating the room**
- **Do not leave children alone**
Children should never be left alone or unattended in the area where the appliance is in use. They should never be allowed to sit or stand on any part of the appliance. Do not store items of interest to a child in cabinets above cooktop. Children climbing on the cooktop to reach such items could be seriously injured.
- **Wear proper clothing/apparel**
Loose-fitting or hanging garments should never be worn while using the appliance.
- **User Servicing**
Do not repair or replace any part of the appliance. If service ever becomes necessary, this appliance should be serviced by *AUTHORIZED PERSONNEL ONLY* or call *SUMMIT Customer Service at 1-800-932-4267*.
- **Keep flammable materials away from the cooktop**
- **Do not store plastic material (such as plastic utensils) in storage areas beneath cooktop**
Plastic items with low melting temperatures should not be stored under, over or near the cooktop.
- **Do not soak removable heating elements**
Heating elements should never be immersed in water.
- **Do not use water on grease fires**
Smother fire or flame or use dry chemical or foam-type extinguisher.
- **Use only dry potholders**
Damp potholders on hot surfaces may result in burns from steam. Do not let potholder touch the heating elements on the appliance. Do not use a towel or other bulky cloth in place of a potholder.

- **Do not cook on a broken cooktop**
If your cooktop should break, cleaning solutions and spillovers may penetrate the broken cooktop and create a risk of electric shock. Immediately contact an authorized service center or call the SUMMIT Customer Service at **1-800-932-4267**.
- **Clean cooktop with caution**
If a wet sponge or cloth is used to wipe spills on a hot cooking surface, be careful to avoid steam burns. Some cleaners produce noxious fumes if applied to a hot surface. Read the cleaner label for details prior to use.
- **DO NOT TOUCH HEATING ELEMENTS**
The heating elements on the cooktop may be hot even if they are dark in color. These areas may be hot enough to cause burns. Never touch heating elements until they have had sufficient time to cool. Likewise, never allow clothing or flammable materials to come in contact with heating elements or the cooktop surface until they have had sufficient time to cool. Other surfaces of the appliance may become hot enough to cause burns.
- **Use proper pan size**
This appliance is equipped with two 6¼"-diameter surface units. Select utensils having flat bottoms large enough to cover the surface unit heating element. The use of undersized utensils will expose a portion of the heating element to direct contact and may result in ignition of clothing. Proper relationship of utensil to burner will also improve efficiency.
- **Never leave surface units unattended at high heat settings**
Boil-over causes smoking and greasy spillovers that may ignite.
- **Utensil handles should be turned inward and not extend over adjacent surface units**
To reduce the risk of burns, ignition of flammable materials, and spillage due to unintentional contact with the utensil, the handle of a utensil should be positioned so that it is turned inward, and does not extend over adjacent surface units.

- SAVE THESE INSTRUCTIONS -

Installation Instructions



IMPORTANT!

**Save this manual for review by local inspector.
This appliance must be properly installed and grounded by a qualified technician.**

1. Unpacking the Cooktop

Carefully unpack the cooktop from its shipping container. If possible, keep the original shipping carton and protective packaging in the event the unit has to be returned for service.

Verify the package contents. (NOTE: A model with **TK** in the suffix includes a 15-inch wide stainless steel frame in the package.) If the ceramic glass cooktop appears to be damaged or parts are missing, call SUMMIT immediately.



Important! Do not remove the clear plastic covering film on the ceramic glass until cooktop is ready to be installed.

2. Checking the Electrical Supply Requirements

This product must be installed in accordance with national, state and local electric codes. Here are the electrical requirements:

Maximum Connected Load	2400 watts
Required Power Supply Input	120V AC / 20A / 60Hz
Minimum Wire Size	#12AWG

The supply must be from an individual grounded circuit that is protected by a circuit breaker and rated per the specifications shown above.



Warning: If the electric power supply does not meet the product specifications, consult with a licensed electrician before proceeding with installation.

3. Preparing the countertop

Please read this section prior to making a cutout in your counter for the cooktop.

It is important to plan ahead for installation of the cooktop, keeping the following dimensions in mind.

- a. The maximum depth of overhead cabinets should be 13 inches.
- b. The minimum height of the countertop above the floor should be 36 inches.
- c. The minimum flat countertop surface that the cooktop will rest upon must be equal to or greater than the overall cooktop dimensions. (Refer to the page 1 for these dimensions).
- d. There should be a minimum clearance of 30 inches between the top of the cooking surface and the bottom of an unprotected wood or metal cabinet. When the bottom of a wood or metal cabinet is protected by not less than ¼ inch thick flame-retardant millboard covered with not less than No. 28 MSG sheet steel, 0.015-inch-thick stainless steel, 0.024-inch-thick aluminum or 0.020-inch-thick copper, the minimum clearance should be 24 inches.
- e. The distance from the backsplash of the countertop to the edge of the ceramic glass of the cooktop should be a minimum of 1 inch. (Refer to page 1 for overall cooktop dimensions).

Do not install the cooktop closer than ½ inch (12 mm) from any adjacent surface.



Warning: To eliminate the risk of burns when reaching over heated surface units, avoid having cabinet storage space located above surface units. If cabinet storage is to be provided, the risk can be reduced by installing a range hood that projects horizontally a minimum of 5" beyond the bottom of the cabinets.

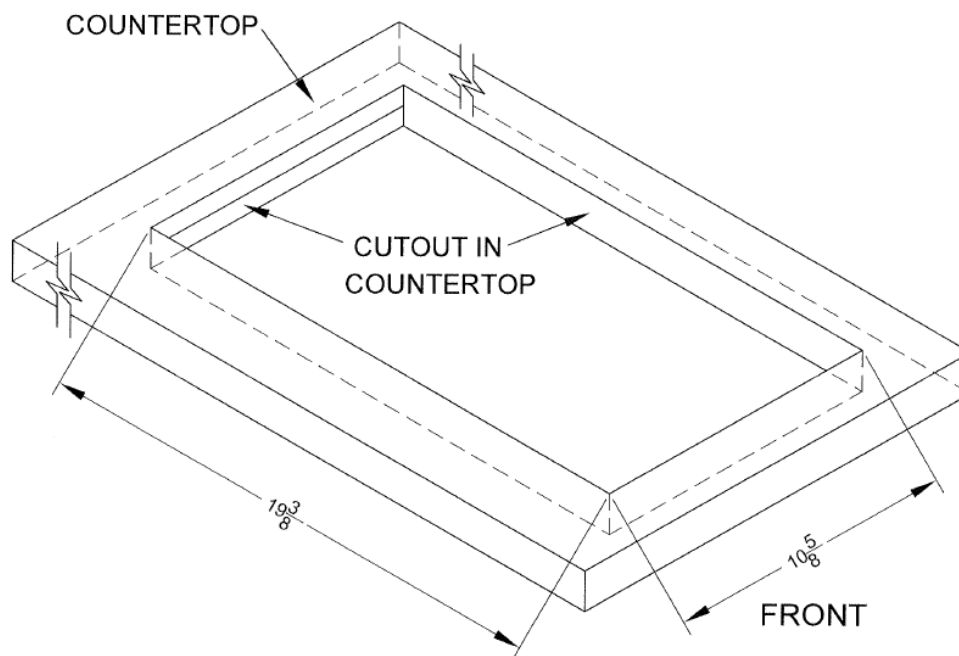
Before making the countertop cutout, check for clearance. See if the cooktop will clear the front and side walls of the base cabinet. It is also important to provide enough ventilation.

Adequate ventilation of the space below the countertop must be provided to ensure proper operation of the cooktop. Heat transferred from the cooktop bottom pan during operation will overheat an improperly ventilated area.

Allow a 2" (51mm) minimum clearance between the bottom of the metal pan of the cooktop and any combustible surface located below, e.g., the upper edge of

a drawer installed below the cooktop. Failure to provide proper clearances and ventilation may result in a fire hazard.

Countertop cutout dimensions are shown in the figure below. (If your cutout is closer to 15" than 10 $\frac{5}{8}$ " wide, you should use one of our **TK** model cooktops.)



Note: When making the countertop, put a radius at the corners of the cutout ($\frac{1}{4}$ " radius is typical). This will keep the countertop from cracking. Follow the countertop manufacturer's instructions regarding the minimum corner radius and reinforcement of corners.

4. Installing the Cooktop

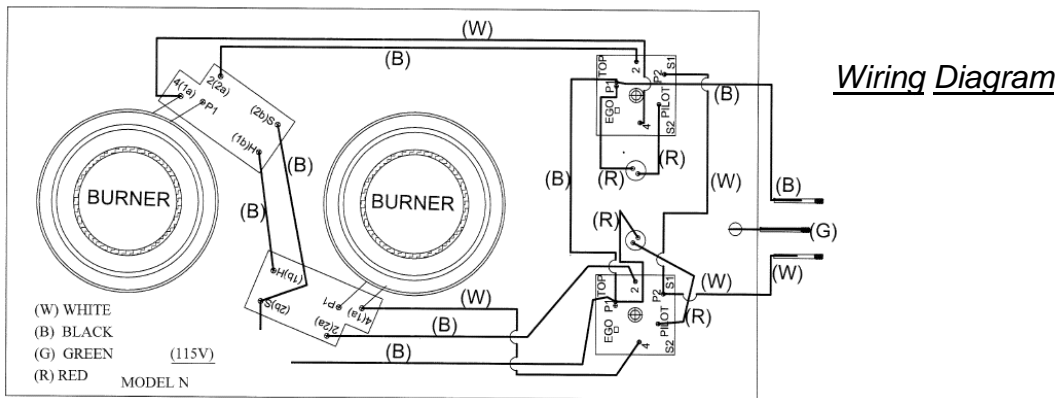
The cooktop should be bedded to the countertop using a soft bedding compound that will prevent damage if later removal for service is necessary. A very small bead of silicone sealant should be laid around the edges of the cutout.

Place the cooktop in the cutout opening and press firmly on all sides to seal the frame into the bedding compound.

To install TK models: For wider cutouts, use the stainless steel frame supplied with your **TK** cooktop. Lay a thin bead of bedding compound along the edge of the cutout, and then lay the frame over this, pressing down to make a good seal once the frame is centered. The frame should be as flush with the countertop as possible. Then place the cooktop into the opening.

5. Electrical Connection

Before proceeding further, verify that the power supply is disconnected. Verify that the appropriate electrical supply requirements have been met. Please refer to the table on page 4 for appropriate electrical requirements. The cooktop is supplied with a 48-inch long conduit for a connection to an accessible junction box. The conduit consists of three insulated wires. There is a hot lead conductor (black insulated-tinned copper), one insulated ground conductor (green insulated-tinned copper) and a neutral conductor (white insulated-tinned copper). (See *Wiring Diagram* for CR2115 models below and on bottom of the cooktop.)



Attach conductor wires to residence wiring in accordance with national, state and local electric codes.



Warning – Grounding

The entire appliance must be grounded at all times when the electrical power supply is on. Do not ground the appliance with the neutral house supply wire (white). A separate ground must be used.

6. Final Preparations Prior to Use

Remove the plastic film from the cooktop. Clean the cooktop before you use it for the first time. A thorough cleaning with a recommended cooktop cleaner will provide a clean, shiny coating on the cooktop surface.

The next section of the manual covers cooktop use, maintenance, safety and service information.

Please keep these instructions with your cooktop for future reference.

Operation

READ *SAFETY INSTRUCTIONS* BEFORE OPERATING YOUR APPLIANCE.

The cooking surface areas of your glass ceramic cooktop are identified by permanent patterns in the cooktop. The appliance is easy to maintain and easy to clean. Keeping the cooktop at top performance levels can be achieved by following the simple guidelines for use and cleaning below:

Cookware

Chances are that your existing cookware will work just fine with your glass ceramic cooktop. Cooking on a glass ceramic cooktop does not require special pots or pans. Since cookware plays an important role in cooking efficiency and convenience, keep in mind the following information when selecting your cookware.

The cookware should have a flat bottom. Although glass and other types of cookware can be used, metal cookware with thick, smooth, flat bottoms will generally conduct the heat well. Aluminum and stainless steel cookware usually works best. Avoid cookware with shaped and rounded bottoms as well as utensils that warp when heated.

Use cookware of the correct diameter only. The base of the pot or pan should be about as wide as the cooking zone on which it is used – not much wider or much narrower. By using utensils with the correct diameter, you should achieve maximum heating efficiency in the shortest possible time.

Be certain that both the cooktop surface and the bottom of your pots and pans are clean and dry before use. By doing so, you will help prevent scratches and stains.

Heating Elements

This cooktop contains radiant heating elements. The radiant elements will “light up” about 4-5 seconds after being turned on. The special design of these elements directs the heat up through the ceramic glass, providing efficient cooking. Temperature limiters are included in each element to ensure that the safe operating temperature of the ceramic glass top is not exceeded. The temperature limiter will cycle the radiant element on and off to prevent exceeding the maximum safe surface temperature.

Controls & Indicators

Each of the cooking area controls has an infinite selection of heat settings. The control settings begin at low and increase heat output by cycling the heating elements between OFF and full power as you turn the knob clockwise. The heating elements will stay at full power for longer periods and at zero power for shorter periods as you turn the knob clockwise, thus increasing the heat output.

There is a light adjacent to each of the control knobs that provides an indication of burner operation and a hot surface. When a control is in the ON position, the red light is lit indicating which burner is on and is therefore too warm to touch. Do not place articles other than cookware on the cooking surface while this light is glowing.

Cleaning

To help ensure that your cooktop stays clean, follow these easy-care tips:

- Clean the cooktop before you use it for the first time. A thorough cleaning with a recommended cooktop cleaner will provide a coating on the cooktop prior to its first use.
- Always remove food spills, grease splatters and metal rub-off from cookware. A razor blade scraper or the equivalent works well to remove spillovers.
- Clean the cooktop with a paper towel or a clean, soft cloth and a recommended cleaner. After cleaning, always wipe the cooktop with a clean, damp cloth to avoid cooked-on cleaner residue. Wipe the cooktop dry.
- Do not use a dish towel or sponge to wipe off the cooktop. A film may be left by the detergent and may cause discoloration of the cooktop surface.
- Avoid abrasive scouring cleaners of any kind. Also avoid using plastic, nylon or metal cleaning pads. They may scratch or melt onto the cooktop.
- Avoid chemical cleaners such as chlorine bleach, ammonia, hydrofluoric acid or chemical oven cleaners. They can etch or discolor the surface.
- Do not let anything that melts – plastic, aluminum foil, sugar, etc. – come into contact with the cooktop surface when it is hot. Should something melt onto the surface, *immediately* move it to a cool area of the cooktop with a razor blade scraper and then remove it from the cooktop as soon as possible.

NOTES

ONE-YEAR LIMITED WARRANTY

Within the 48 contiguous United States, for one year from the date of purchase, when this appliance is operated and maintained according to instructions attached to or furnished with the product, warrantor will pay for factory-specified parts and repair labor to correct defects in materials or workmanship. Service must be provided by a designated service company. Outside the 48 states, all parts are warranted for one year from manufacturing defects. Plastic parts, shelves and cabinets are warranted to be manufactured to commercially acceptable standards, and are not covered from damage during handling or breakage.

ITEMS WARRANTOR WILL NOT PAY FOR:

- Service calls to correct the installation of your appliance, to instruct you how to use your appliance, to replace or repair fuses or to correct wiring or plumbing.
- Service calls to repair or replace appliance light bulbs or broken glass shelves. Consumable parts (such as filters) are excluded from warranty coverage.
- Damage resulting from accident, alteration, misuse, abuse, fire, flood, acts of God, improper installation, installation not in accordance with electrical or plumbing codes, or use of products not approved by warrantor.
- Replacement parts or repair labor costs for units operated outside the United States.
- Repairs to parts or systems resulting from unauthorized modifications made to the appliance.
- The removal and reinstallation of your appliance if it is installed in an inaccessible location or is not installed in accordance with published installation instructions.

DISCLAIMER OF IMPLIED WARRANTIES; LIMITATION OF REMEDIES

CUSTOMER'S SOLE AND EXCLUSIVE REMEDY UNDER THIS LIMITED WARRANTY SHALL BE PRODUCT REPAIR AS PROVIDED HEREIN. IMPLIED WARRANTIES, INCLUDING WARRANTIES OF MERCHANTABILITY OR FITNESS FOR A PARTICULAR PURPOSE, ARE LIMITED TO ONE YEAR. WARRANTOR SHALL NOT BE LIABLE FOR INCIDENTAL OR CONSEQUENTIAL DAMAGES. SOME STATES DO NOT ALLOW THE EXCLUSION OR LIMITATION OF INCIDENTAL OR CONSEQUENTIAL DAMAGES, OR LIMITATIONS ON THE DURATION OF IMPLIED WARRANTIES OF MERCHANTABILITY OR FITNESS, SO THESE EXCLUSIONS OR LIMITATIONS MAY NOT APPLY TO YOU. THIS WARRANTY GIVES YOU SPECIFIC LEGAL RIGHTS AND YOU MAY ALSO HAVE OTHER RIGHTS, WHICH VARY FROM STATE TO STATE.

WARNING! This product may contain chemicals known to the state of California to cause cancer or birth defects or other reproductive harm. For more information, visit: www.summitappliance.com/prop65.
Chemicals known by the manufacturer to be present in this product in concentrations higher than threshold limits: **NONE**.

Call customer service toll free in the U.S.A. @ 1-800-932-4267, Monday to Friday 9:00 am. - 5:00 p.m. (ET).

Order parts online at www.summitappliance.com/support

SUMMIT

Felix Storch, Inc.
770 Garrison Avenue
Bronx, NY 10474

Phone: (718) 893-3900
Fax: (844) 478-8799
Web Site:
www.summitappliance.com

S'il vous plaît lire ces instructions dans leur intégralité avant l'installation et l'utilisation de votre table de cuisson. CONSERVER CE MANUEL POUR FUTURE RÉFÉRENCE.

Table des matières

Informations techniques	12
Consignes de sécurité	13 - 14
Instructions d'installation	15 - 18
Déballage de la table de cuisson	15
Vérification des exigences d'alimentation électrique	15
Préparation du comptoir	16 - 17
Installation de la table de cuisson	17
Raccordement électrique	18
Derniers préparatifs avant d'utiliser	18
Opération	19 - 20
Batterie de cuisine	19
Éléments chauffants	19
Commandes et indicateurs	20
Nettoyage	21
Garantie	23

Informations techniques

Numéro de modèle	CR2115*	CR2115WH*
Description	Vitrocéramique table de cuisson électrique de 2 brûleurs	
Couleur	Noir	Blanc
Exigences électriques	120V CA, 60Hz	240V CA, 60Hz
Puissance	1200 W (chaque brûleur)	
Diamètre de chaque brûleur	6¼"	
Dimensions hors tout	3¼"Ha x 11⅜"La x 20⅛"Pr	
Dimensions de découpe*	19⅜" x 10⅝" avec rayon de ¼"	

* Le suffixe **TK** indique que le modèle comprend un *Trim Kit* (cadre en acier inoxydable) qui permet à l'unité de s'adapter à une découpe de largeur 15".

Pour référence ultérieure, s'il vous plaît noter le numéro de série de votre table de cuisson ici:

Consignes de sécurité

Lisez cette section AVANT d'utiliser la table de cuisson.

Cette table de cuisson, comme tous les appareils, a le potentiel de créer des problèmes de sécurité grâce à l'utilisation négligente et incorrecte. S'il vous plaît respecter toutes les consignes de sécurité suivantes.

- **Installation correcte**
Assurez-vous que votre appareil est correctement installé et mis à la terre par un technicien qualifié.
- **N'utilisez jamais votre appareil pour réchauffer ou chauffer la pièce.**
- **Ne pas laisser les enfants seuls.**
Les enfants ne devraient jamais être laissés seuls ou sans surveillance dans la zone où l'appareil est en cours d'utilisation. Ils ne devraient jamais être autorisés à rester assis ou debout sur une partie quelconque de l'appareil.
- **ATTENTION: Ne pas stocker des objets d'intérêt pour un enfant dans les armoires au-dessus la table de cuisson.**
Enfants grimant sur la table de cuisson pour atteindre ces articles pourraient être gravement blessés.
- **Portez des vêtements de bonne / habillement.**
Vêtements amples ou détachés ne doivent jamais être portés pendant l'utilisation de l'appareil.
- **Entretien par l'utilisateur**
Ne pas réparer ou remplacer toute pièce de l'appareil. Si le service devient jamais nécessaire, cet appareil doit être réparé par du personnel autorisé ou appelez le Service à la clientèle à SUMMIT au **1-800-932-4267**.
- **Gardez les matériaux inflammables loin de la table de cuisson.**
Ne pas stocker matières plastiques (comme des ustensiles en plastique) dans les zones de stockage sous la table de cuisson. Les articles en plastique avec basses températures de fusion ne doivent pas être stockés sous, sur ou près de la surface de cuisson.
- **Ne pas faire tremper les éléments de chauffage amovibles.**
Les éléments de chauffage ne doivent jamais être immergés dans l'eau.
- **Ne pas utiliser d'eau sur un feu de graisse.**
Étouffer le feu ou les flammes ou utiliser un produit chimique sec ou de type mousse.
- **Utilisez des maniques sèches seulement.**
Maniques humides sur des surfaces chaudes peuvent causer des brûlures par la vapeur. Ne pas laisser les mitaines de toucher les éléments chauffants de l'appareil. Ne pas utiliser une serviette ou un tissu épais à la place d'une manique.

- **Ne pas faire cuire sur une plaque de cuisson brisée.**
Si votre table de cuisson est brisée, les solutions de nettoyage et les renversements peuvent pénétrer dans la table brisée et créer un risque de choc électrique. Contactez immédiatement un centre de service agréé ou appeler le Service à la clientèle à SUMMIT : **1-800-932-4267**.
- **Nettoyer la table de cuisson avec précaution.**
Si une éponge ou un chiffon humide est utilisé pour essuyer des renversements sur une surface de cuisson chaude, faites attention pour éviter les brûlures de vapeur. Certains nettoyants produisent des vapeurs nocives s'ils sont appliqués sur une surface chaude. Lisez l'étiquette du nettoyant pour plus de détails avant de les utiliser.
- **Ne pas toucher les éléments chauffants.**
Les éléments chauffants sur la table de cuisson peuvent être chauds même s'ils sont de couleur foncée. Ces zones peuvent être assez chaudes pour causer des brûlures. Ne jamais toucher les éléments chauffants avant qu'ils aient eu le temps de refroidir. De même, ne laissez jamais les matériaux des vêtements ou inflammables venir en contact avec les éléments chauffants ou la surface de cuisson avant qu'ils aient eu le temps de refroidir. D'autres surfaces de l'appareil peuvent devenir assez chaudes pour causer des brûlures.
- **Utilisez le bon format de casserole.**
Cet appareil est équipé de quatre unités de surface, chacune avec un diamètre de 6,25 ". Choisissez les ustensiles ayant un dessous plat assez grand pour couvrir l'élément chauffant de la surface. L'utilisation d'ustensiles trop petits exposera une partie de l'élément de chauffage à contact direct et peut résulter à l'inflammation des vêtements. La relation appropriée d'ustensiles au brûleur améliore aussi l'efficacité.
- **Ne jamais laisser les appareils de cuisson sans surveillance à des réglages élevés.**
Débordements cause de la fumée et des déversements graisseux peuvent s'enflammer.
- **Les poignées des ustensiles doivent être tournées vers l'intérieur et non au-dessus des unités de surface adjacentes.**
Pour réduire le risque de brûlures, inflammation de matériaux inflammables et de renversements dus à un contact involontaire avec un ustensile, la poignée d'un ustensile doit être positionnée de sorte qu'elle est tournée vers l'intérieur, et ne s'étend pas sur les unités de surface.
- **Ustensiles de cuisine émaillés**
Seuls certains types de verre, verre / céramique, céramique, faïence ou autres surfaces vitrifiées conviennent pour le service sur le dessus de la table de cuisson, sans bris attribuables aux changements brusques de température.

- Conserver ces instructions -

Instructions d'installation

IMPORTANT!



Conservez ce manuel pour examen par l'inspecteur local.
Cet appareil doit être correctement installé et mise à la terre par un technicien qualifié.

1. Déballage de la table de cuisson

Déballiez soigneusement la table de cuisson de son emballage. Si possible, conserver le carton d'expédition d'origine et l'emballage de protection dans le cas où l'appareil doit être renvoyé pour réparation.

Vérifiez le contenu du paquet. (REMARQUE: Un modèle avec **TK** dans le suffixe comprend dans le paquet un cadre en acier inoxydable de largeur 15 pouces.) Si la table de cuisson en vitrocéramique semble être endommagée ou certaines pièces sont manquantes, appelez immédiatement à SUMMIT.

2. Vérification des spécifications de l'alimentation électrique

Ce produit doit être installé conformément aux codes électriques nationaux, étatiques et locaux. Voici les exigences électriques:

Charge connectée maximale	2400W	2400W
Entrée alimentation requise	120V CA / 20A / 60Hz	240V CA / 10A / 60Hz
Minimum taille du fil	#12AWG	#12AWG

L'alimentation doit être d'un circuit à la terre individu qui est protégé par un disjoncteur et évalué par les spécifications, comme indiqué ci-dessus.



Attention: Si l'alimentation électrique n'est pas conforme aux spécifications du produit, consulter un électricien agréé avant de procéder à l'installation.

3. Préparer le comptoir

S'il vous plaît lire cette section avant de faire une découpe dans le comptoir de la table de cuisson.

Il est important de planifier à l'avance pour l'installation de la table de cuisson, en gardant les dimensions suivantes à l'esprit.

- a. La profondeur maximale d'armoires aériennes doit être de 13 pouces.
- b. La hauteur minimale du comptoir au-dessus du sol doit être de 36 pouces.
- c. La surface de travail plat minimum sur que la table de cuisson reposera doit être égale ou supérieure à les dimensions hors tout de la table de cuisson. (Reportez-vous à la page 12 de ces dimensions).
- d. La distance minimale entre le sommet de la surface de cuisson et le fond d'une armoire en bois ou en métal non protégée doit être de 30 pouces. Lorsque le fond d'une armoire de bois ou de métal est protégé par au moins un quart de pouce d'épaisseur de carton ignifuge recouvert d'au moins n ° 28 MSG tôle d'acier, en acier inoxydable de 0,015 pouce d'épaisseur, en aluminium de 0,024 pouce d'épaisseur ou en cuivre de 0,020 pouces d'épaisseur, la distance minimale doit être de 24 pouces.
- e. La distance entre le dossier du comptoir et le bord de la vitre en vitro-céramique de la table de cuisson doit être d'au moins 1 pouce. (Reportez-vous à la page 12 pour les dimensions globales de la table de cuisson).

Ne pas installer la table de cuisson à moins de ½ pouce (12 mm) de toute surface adjacente.



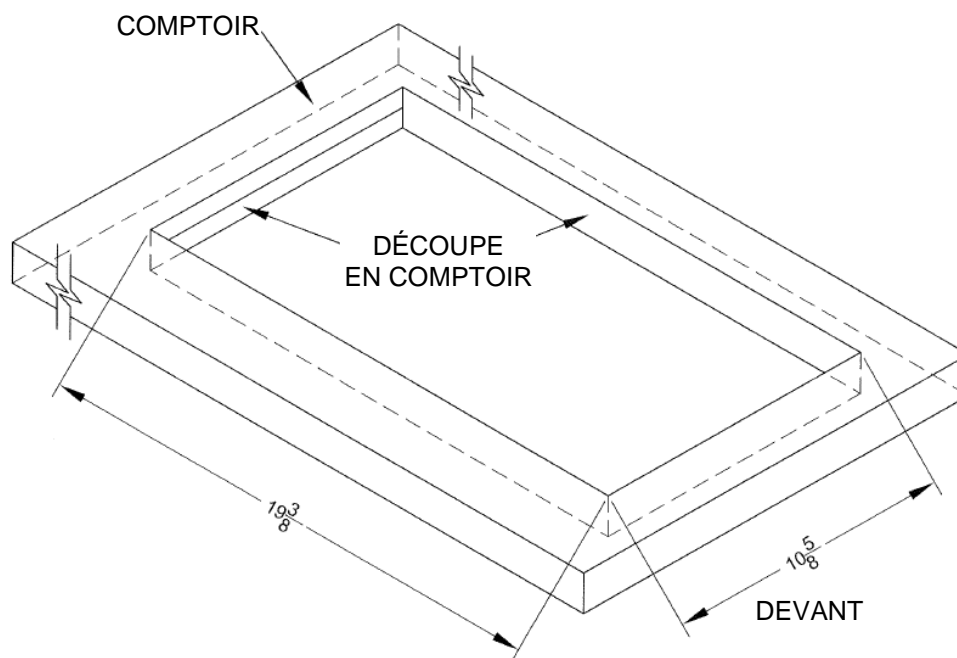
Attention: Pour éliminer les risques de brûlures en atteignant dessus des unités de surface chauffées, éviter d'avoir un espace de rangement au-dessus des unités de surface. Si une armoire de rangement doit être fournie, le risque peut être réduit en installant une hotte de cuisinière qui excède horizontalement d'un minimum de 5 pouces au-delà du fond des armoires.

Avant de faire au découpe d'un comptoir, vérifier le jeu. Voir si la table de cuisson dégage les murs de devant et latéraux de l'armoire de base. Il est également important de fournir une ventilation suffisante.

Une ventilation adéquate de l'espace ci-dessous le comptoir doit être prévue afin d'assurer le bon fonctionnement de la table de cuisson. La chaleur transférée depuis le fond d'une casserole sur la plaque de cuisson pendant le fonctionnement surchauffera une zone mal ventilée.

Laissez un espace de 2" (51mm) minimum entre le fond du plateau de métal de la table de cuisson et toute surface combustible située au-dessous, par exemple, le bord supérieur d'un tiroir installé en dessous de la table de cuisson. Défaut de fournir des espaces appropriés et de ventilation peut entraîner un risque d'incendie.

Dimensions de la découpe du comptoir sont présentées dans la figure ci-dessous. (Si votre découpe est plus proche de 15" que de 10⁵/₈" en largeur, vous devriez utiliser un de nos modèles de table de cuisson **TK**.)



Remarque: Lorsque vous faites le comptoir, mettez un rayon dans les coins de la découpe (un rayon de 1/4" est typique). Cela permet de garder le comptoir de la fissuration. Suivez les instructions du fabricant de comptoir concernant le rayon minimal et le renforcement des coins.

4. Installation de la table de cuisson

La table de cuisson doit être fixée sur le comptoir à l'aide d'une gomme tendre qui prévenir les dommages si le retrait ultérieur de service est nécessaire. Un très petit cordon de mastic silicone doit être placé sur les bords de la découpe.

Placez la table de cuisson dans l'ouverture de découpe et appuyez fermement sur tous les côtés pour sceller le cadre dans la gomme tendre.

Pour installer les modèles **TK**: Pour les découpes plus larges, utilisez le cadre en acier inoxydable fourni avec votre table de cuisson **TK**. Posez un mince cordon de mastic silicone sur le bord de la découpe, puis posez le cadre sur celui-ci, en appuyant vers le bas pour faire un bon joint une fois que le cadre est centré. Le cadre doit être dans l'alignement du comptoir. Ensuite, placez la table de cuisson dans l'ouverture.

5. Raccordement électrique

Avant de poursuivre, vérifiez que l'alimentation électrique est coupée. Vérifiez que les exigences d'alimentation électrique prévues ont été respectées. S'il vous plaît se référer au tableau à la page 15 pour les besoins électriques appropriés. La table de cuisson est alimentée par un long tube de 48 pouces pour une connexion à un boîtier de connexion accessible. La conduite est constituée de trois fils isolés. Il y a un fil chaud (cuivre étamé avec isolation noir), un fil de terre (cuivre étamé avec isolation vert) et un conducteur neutre (cuivre étamé avec isolation blanc). (Voir le schéma de câblage pour les modèles CR2115 ci-dessous et sur le fond de la table de cuisson.)

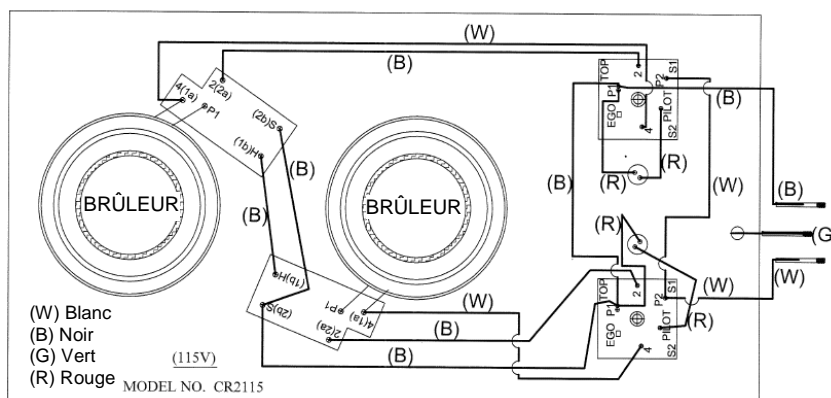


Schéma de câblage

Attachez les fils conducteurs au câblage de résidence conformément aux codes électriques nationaux, étatiques et locaux.

Avertissement - Mise à la terre

L'ensemble de l'appareil doit être relié à la terre lorsque l'alimentation électrique est en marche. Ne pas relier à la terre l'appareil avec le câble d'alimentation maison neutre (blanc). Une terre séparée doit être utilisée.

6. Derniers préparatifs avant utilisation

Retirer le film plastique de la table de cuisson. Nettoyez la table de cuisson avant de l'utiliser pour la première fois. Un nettoyage en profondeur avec un nettoyant pour table de cuisson recommandé fournira un revêtement propre et brillant sur la surface de cuisson.

Les sections suivantes du manuel traitent l'utilisation de la table de cuisson, d'entretien et des informations de service.

Gardez ces instructions avec votre table de cuisson pour référence future.

Opération

LIRE LES INSTRUCTIONS DE SÉCURITÉ AVANT D'UTILISER VOTRE APPAREIL.

Les surfaces de cuisson de votre table de cuisson en céramique sont identifiées par des motifs permanents en la table de cuisson. L'appareil est facile à entretenir et facile à nettoyer. Garder la table de cuisson à ses niveaux de performance supérieurs peut être réalisé en suivant les instructions simples d'utilisation et de nettoyage ci-dessous :

Batterie de cuisine

Il y a des chances que votre batterie de cuisine existante fonctionne très bien avec votre table de cuisson en céramique. La cuisson sur une plaque de cuisson vitrocéramique ne nécessite pas de casseroles ou poêles spéciales. Depuis ustensiles de cuisine joue un rôle important dans l'efficacité et la commodité de la cuisine, garder à l'esprit les informations suivantes lorsque vous choisissez votre batterie de cuisine.

Les ustensiles de cuisine doit avoir un fond plat. Bien que le verre et d'autres types de batteries de cuisine puissent être utilisés, ustensiles de cuisine en métal avec une épaisseur et un fond plat et lisse conduisent généralement bien la chaleur. Aluminium et ustensiles de cuisine en acier inoxydable fonctionnent généralement mieux. Évitez des ustensiles à fond de forme et arrondis ainsi que les ustensiles qui déforment lorsqu'ils sont chauffés.

Utiliser des ustensiles de bon diamètre seulement. La base de la casserole ou la poêle doit être à peu près aussi large que la zone de cuisson sur laquelle elle est utilisée - pas plus large ou plus étroite. En utilisant des ustensiles de diamètre correct, vous devriez obtenir une efficacité maximale de chauffage en les plus brefs délais.

Soyez certain que la surface de cuisson et le fond de vos casseroles et poêles sont propres et secs avant utilisation. En agissant ainsi, vous aiderez à prévenir les égratignures et aux taches.

Éléments de chauffage

Cette table de cuisson contient des éléments de chauffage radiants. Les éléments radiants illumineront environ 4-5 secondes après avoir été allumés. La conception spéciale de ces éléments dirige la chaleur à travers la vitre de céramique, offrant une cuisson efficace. Limiteurs de température sont compris dans chaque élément pour assurer que la température sûre de fonctionnement du plateau en verre céramique ne soit pas dépassée. L'élément radiant s'allume et s'éteint pour éviter de dépasser la température maximale sûre de la surface.

Commandes et indicateurs

Chacun des contrôles des zones de cuisson a un choix infini de réglages de chaleur. Les paramètres de contrôle commencent à basse et accroître la production de chaleur en tournant les éléments chauffants sous et hors tension lorsque vous tournez le bouton en le sens horaire. Les éléments de chauffage resteront à pleine puissance des périodes plus longues et à la puissance zéro pour des périodes plus courtes que vous tournez le bouton en le sens horaire, augmentant ainsi la production de chaleur.

Il existe une lumière associée à chacun des boutons de commande qui fournit une indication de fonctionnement du brûleur et une surface chaude. Quand un bouton de commande est en position MARCHE, le voyant rouge s'allume pour indiquer que le brûleur est allumé et est donc trop chaude au toucher. Ne placez pas d'objets autres que les ustensiles de cuisine sur la surface de cuisson lorsque ce voyant est allumé.

Nettoyage

Pour vous assurer que votre table de cuisson reste propre, suivez ces conseils pour un entretien facile:

- Nettoyez la table de cuisson avant de l'utiliser pour la première fois. Un nettoyage en profondeur avec un nettoyant pour table de cuisson recommandée fournira un revêtement sur la surface de cuisson avant sa première utilisation.
- Toujours retirer les taches de nourriture, les éclaboussures de graisse et les marques de métal de batterie de cuisine. Un grattoir à lame de rasoir ou l'équivalent fonctionne bien pour éliminer les déversements.
- Nettoyez la table de cuisson avec une serviette en papier ou un chiffon propre et doux et un nettoyant recommandé. Après le nettoyage, frottez la surface de cuisson avec un chiffon propre et humide pour éviter résidus durcis de produit nettoyant. Essuyez la table de cuisson à sec.
- Ne pas utiliser un linge à vaisselle ou une éponge pour essuyer la table de cuisson. Un film peut être laissé par le détergent et peut provoquer une décoloration de la surface de cuisson.
- Évitez les produits à récurer d'aucune sorte. Évitez également d'utiliser des tampons de nettoyage en plastique, nylon ou métal. Ils risquent de rayer ou fondre sur la surface.
- N'utilisez pas de produits chimiques tels que l'eau de javel, ammoniac, acide fluorhydrique ou de nettoyants à four chimiques. Ils peuvent marquer ou décolorer la surface.
- Ne laissez pas tout ce qui fait fondre - plastique, papier d'aluminium, le sucre, etc. - entrer en contact avec la surface de cuisson lorsqu'elle est chaude. Si quelque chose se fond sur la surface, passer-le *immédiatement* à un endroit frais de la table de cuisson avec un grattoir à lame de rasoir, puis retirez-le de la table de cuisson dès que possible.

REMARQUES

GARANTIE LIMITÉE

Dans les 48 États américains contigus, pendant un an de la date d'achat, lorsque cet appareil est utilisé et entretenu conformément aux instructions jointes à ou fournies avec le produit, le garant paiera pour les pièces spécifiées en usine et pour la main-d'œuvre pour corriger les défauts de matériaux ou de fabrication. Le service doit être fourni par une compagnie de service désignée. En dehors des 48 États, toutes les pièces sont garanties pour une période d'un an à partir des défauts de fabriquant. Les pièces en plastique, les étagères et armoires sont garantis pour être fabriquées conformément aux normes acceptées dans le commerce et ne sont pas couvertes contre les dommages survenus lors de la manipulation ou contre la rupture.

LE GARANT NE PAIERA PAS POUR

1. Les appels de service pour rectifier l'installation de votre appareil, pour vous indiquer comment utiliser votre appareil, remplacer ou réparer des fusibles ou rectifier le câblage ou la plomberie.
2. Les appels de service pour réparer ou remplacer des ampoules ou des étagères brisées. Les pièces consommables (tels que des filtres) sont exclus de la couverture de la garantie.
3. Les dommages résultant d'un accident, des modifications, de l'usage inapproprié ou abusif, d'un incendie, d'une inondation, les désastres naturels, une mauvaise installation, une installation non conforme aux codes d'électricité ou de plomberie, ou l'utilisation de produits non approuvés par le garant.
4. Les pièces de rechange ou les frais de réparation pour les appareils utilisés hors des États-Unis.
5. Les réparations aux pièces ou systèmes résultant de modifications non autorisées apportées à l'appareil.
6. Le déplacement et la réinstallation de votre appareil s'il est installé dans un endroit inaccessible ou n'est pas installé conformément aux instructions d'installation.

EXCLUSION DE GARANTIES IMPLICITES – LIMITATION DES RECOURS

LE SEUL ET UNIQUE RECOURS DU CLIENT EN VERTU DE CETTE GARANTIE LIMITÉE EST LA RÉPARATION DU PRODUIT COMME INDIQUÉ DANS LA PRÉSENTE. GARANTIE IMPLICITE, Y COMPRIS LES GARANTIES DE QUALITÉ MARCHANDE OU D'ADEQUATION À UN USAGE PARTICULIER, SONT LIMITÉES À UN AN. LE GARANT NE SERA PAS RESPONSABLE DES DOMMAGES DIRECTS OU INDIRECTS. CERTAINS ÉTATS NE PERMETTENT PAS L'EXCLUSION OU LA LIMITATION DES DOMMAGES DIRECTS OU INDIRECTS, OU LA LIMITATION DE LA DURÉE DES GARANTIES DE QUALITÉ MARCHANDE OU D'ADAPTATION, DE SORTE QUE CES EXCLUSIONS OU LIMITATIONS PEUVENT NE PAS S'APPLIQUER À VOUS. CETTE GARANTIE VOUS DONNE DES DROITS SPÉCIFIQUES ET VOUS POUVEZ AUSSI AVOIR D'AUTRES DROITS QUI PEUVENT VARIER D'UN ETAT À L'AUTRE.

ATTENTION! Ce produit peut contenir des produits chimiques reconnus par l'État de la Californie pour causer le cancer ou des défauts de naissance et d'autres dangers pour la reproduction. Pour plus d'informations, visitez le site: www.summitappliance.com/prop65

Produits chimiques reconnus par le fabricant qui sont présents dans ce produit en concentrations supérieures aux limites permises: AUCUNS.

Pour le service à la clientèle, composez sans frais aux États-Unis @ 1-800-932-4267, du lundi au vendredi 09h00. - 17h00 (HE).

Commander des pièces en ligne à www.summitappliance.com/support.

Felix Storch, Inc.
770 Garrison Avenue
Bronx, NY 10474

Téléphone: (718) 893-3900
Télécopie : (844) 478-8799
Site web:
www.summitappliance.com
