



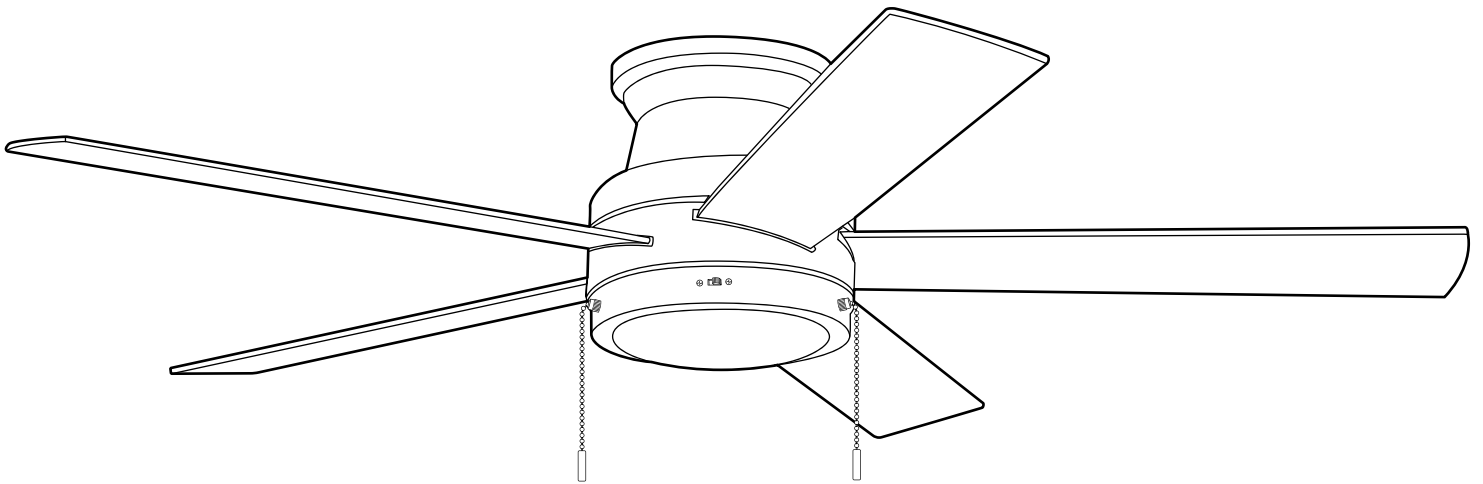
ITEM #6030887  
MODEL #CAL44MBK5L

# CALVERTON CEILING FAN

HARBOR BREEZE and logo design are trademarks or registered trademarks of LF, LLC. All rights reserved.

**Español p. 19**

**ATTACH YOUR RECEIPT HERE**



**Purchase Date** \_\_\_\_\_

Thank you for purchasing this HARBOR BREEZE product.  
Questions, problems or missing parts?  
Before returning, contact us on: **888-251-1003**, 8 a.m. - 8 p.m., EST,  
Monday - Sunday or **ascs@lowes.com**.




## TABLE OF CONTENTS

---

Safety Information .....	2
Package Contents .....	5
Hardware Contents .....	6
Preparation .....	6
Initial Installation .....	6
Wiring .....	9
Final Installation .....	12
Operating Instructions .....	15
Care and Maintenance .....	17
Troubleshooting .....	17
Limited Lifetime Warranty .....	18
Replacement Parts List .....	18

## SAFETY INFORMATION

---

 **CAUTION:** Changes or modifications not approved by the party responsible for compliance could void the user's authority to operate the equipment.

**\*NOTE:** This equipment has been tested and found to comply with the limits for a Class B digital device, pursuant to Part 15 of the FCC Rules. These limits are designed to provide reasonable protection against harmful interference in a residential installation. This equipment generates, uses and can radiate radio frequency energy and, if not installed and used in accordance with the instructions, may cause harmful interference to radio communications. However, there is no guarantee that interference will not occur in a particular installation. If this equipment does cause harmful interference to radio or television reception, which can be determined by turning the equipment off and on, the user is encouraged to try to correct the interference by one or more of the following measures:

- \* Reorient or relocate the receiving antenna.
- \* Increase the separation between the equipment and receiver.
- \* Connect the equipment into an outlet on a circuit different from that to which the receiver is connected.

Consult the dealer or an experienced radio/TV technician for help.

Distributed by: Litex Industries Inc., P.O. Box 535639, Grand Prairie, TX, 75053; 800-527-1292

The device complies with Part 15 of the FCC Rules. Operation is subject to the following two conditions: (1) this device may not cause harmful interference, (2) this device must accept any interference received, including interference that may cause undesired operation.

**NOTE:** Dimmable to 10% with select dimmers. See [Lowes.com](http://Lowes.com) for more information.

## SAFETY INFORMATION

### READ AND SAVE THESE INSTRUCTIONS

Please read and understand this entire manual before attempting to assemble, install or operate the product. Review the accompanying assembly diagrams.

- Do not discard fan carton or packing material. Should this fan need to be returned to the factory for repairs, it must be shipped in its original packaging to ensure proper protection against damage that might exceed the initial cause for return.
- Make sure all electrical connections comply with local codes, ordinances, the National Electrical Code and ANSI/NFPA 70-1999. Hire a qualified electrician or consult a do-it-yourself wiring handbook if you are unfamiliar with installing electrical wiring.
- Make sure the installation site you choose allows a minimum clearance of 7 ft. from the blades to the floor and at least 30 in. from the end of the blades to any obstruction.
- After you install the fan, make sure all connections are secure to prevent the fan from falling.
- The net weight of this fan including the light kit is: 12.57 lbs.

## DANGER

When using an existing outlet box, make sure the outlet box is securely attached to the building structure and can support the full weight of the fan. Failure to do this can result in serious injury or death. The stability of the outlet box is essential in minimizing wobble and noise in the fan after installation is complete.

To reduce the risk of serious bodily injury, DO NOT use power tools to assemble any part of the fan, including the blades.

Before installation, be sure to shut off electricity at main switch or circuit breaker in order to avoid electrical shock.

## WARNING



To reduce the risk of fire, electrical shock or personal injury, mount fan to outlet box marked "ACCEPTABLE FOR FAN SUPPORT OF 35 LBS. (15.9 KG) OR LESS" and use mounting screws provided with the outlet box. Most outlet boxes commonly used for the support of lighting fixtures are not acceptable for fan support and may need to be replaced. Consult a qualified electrician if in doubt.

When mounting fan to a ceiling outlet box, use a METAL octagonal outlet box; do NOT use a plastic outlet box. Secure the outlet box directly to the building structure. The outlet box and its support must be able to support the moving weight of the fan (at least 35 lbs.).

To avoid personal injury, the use of gloves may be necessary while handling fan parts with sharp edges.

## WARNING

To reduce the risk of fire, electrical shock or personal injury, lever wire connectors provided with this fan are designed to accept only one 12-gauge house wire and one lead wire from the fan. If your house wire is larger than 12-gauge or there is more than one house wire to connect to the corresponding fan lead wires, consult an electrician for the proper size lever wire connectors to use.

To reduce the risk of fire or electrical shock, do not use the fan with any solid state speed control device or control fan speed with a full range dimmer switch.

To reduce the risk of fire, electrical shock or personal injury, do not bend the blades when installing them, balancing the blades or cleaning the fan. Do not insert objects between the rotating fan blades.

To reduce the risk of personal injury, use *ONLY* parts provided with this fan. The use of parts *OTHER* than those provided with this fan will void the warranty.

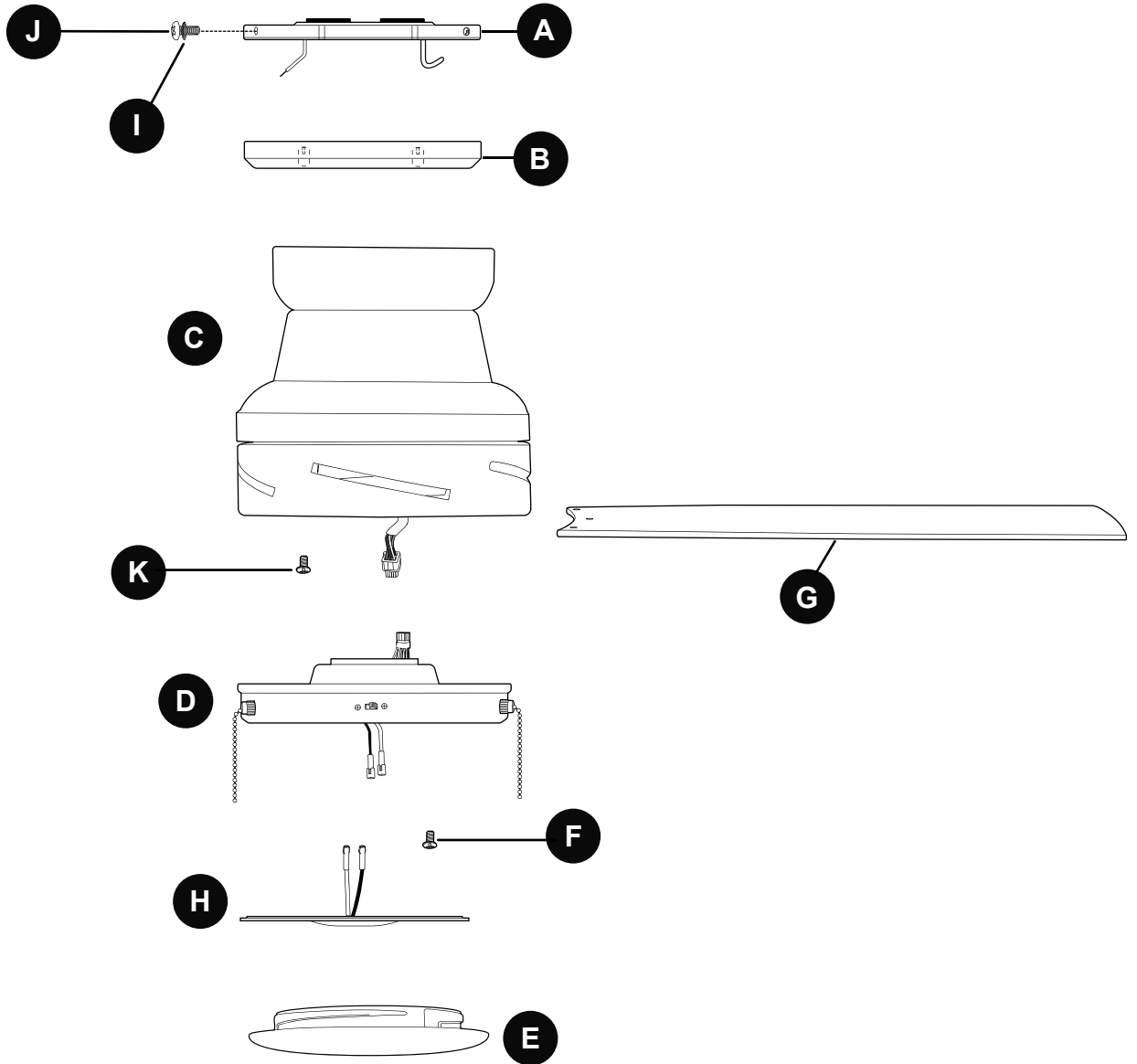
## CAUTION

Be sure outlet box is properly grounded and that a ground wire (GREEN or BARE) is present.

Once installation is complete, carefully check all screws, bolts and nuts on fan motor assembly to ensure that they are secured.

Do NOT tamper with or attempt to repair LED component. The light source is designed for this specific application and should not be serviced by untrained personnel. If any servicing is required, call our customer service department.

## PACKAGE CONTENTS



PART	DESCRIPTION	QUANTITY
A	Mounting Plate	1
B	Canopy Ring	1
C	Motor Housing	1
D	Switch Housing	1
E	Shade	1
F	Switch Housing Screw (preassembled)	3

PART	DESCRIPTION	QUANTITY
G	Blade	5
H	LED Light Kit	1
I	Mounting Plate Lock Washer (preassembled)	4
J	Mounting Plate Screw (preassembled)	4
K	Motor Plate Screw (preassembled)	3

**⚠ IMPORTANT REMINDER:** You must use the parts provided with this fan for proper installation and safety.

## HARDWARE CONTENTS (shown actual size)

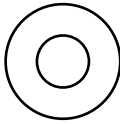
AA



Blade  
Screw

Qty. 15  
+ 1 extra

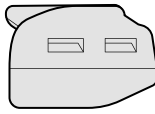
BB



Fiber Blade  
Washer

Qty. 15  
+ 1 extra

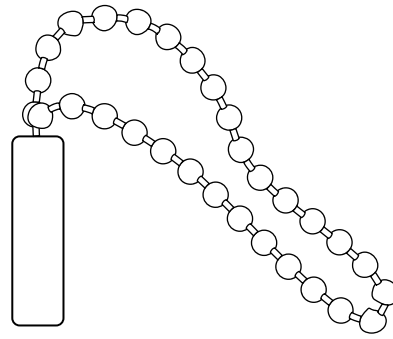
CC



Lever Wire  
Connector

Qty. 4

DD



Pull Chain  
Extension

Qty. 2

## PREPARATION

Before beginning assembly of product, make sure all parts are present. Place motor on carpet or on foam to avoid damage to finish. Compare parts with package contents list and hardware contents list. If any part is missing or damaged, do not attempt to install the product.

**Estimated Assembly Time: 120 minutes**

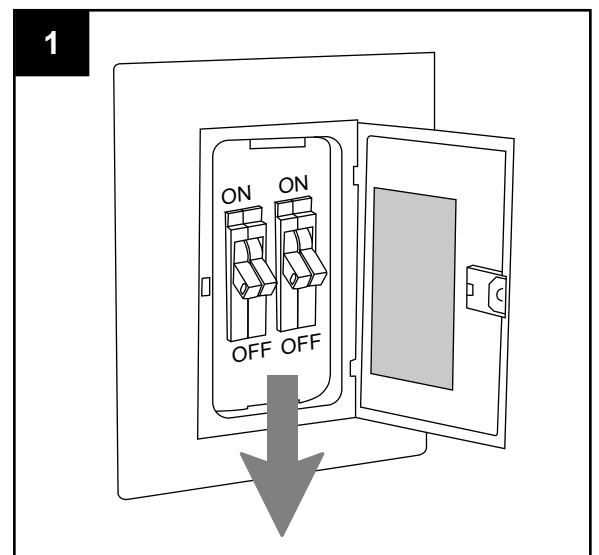
Tools Required for Assembly (not included): Electrical Tape, Phillips Screwdriver, Pliers, Safety Glasses, Stepladder and Wire Strippers

Helpful Tools (not included): AC Tester Light, Tape Measure, Do-It-Yourself Wiring Handbook and Wire Cutters

## INITIAL INSTALLATION

1. Turn off circuit breakers or fuse and wall switch to the fan supply line leads.

**⚠ DANGER:** Failure to disconnect power supply prior to installation may result in serious injury or death.

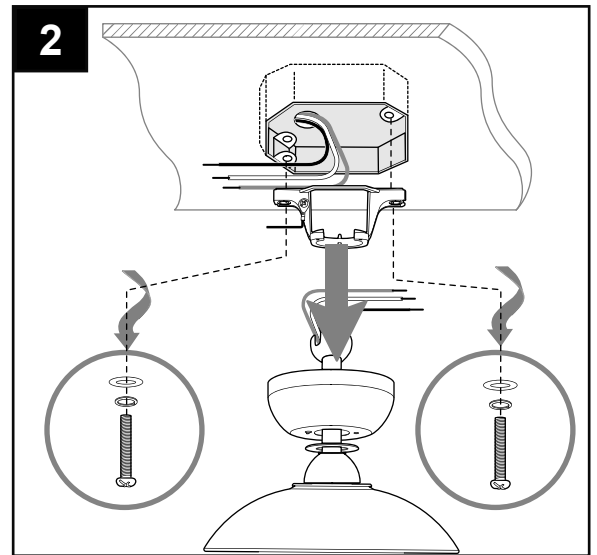


## INITIAL INSTALLATION

- If applicable, remove existing fan and fan parts, including the mounting bracket, from outlet box and disconnect all electrical wiring.

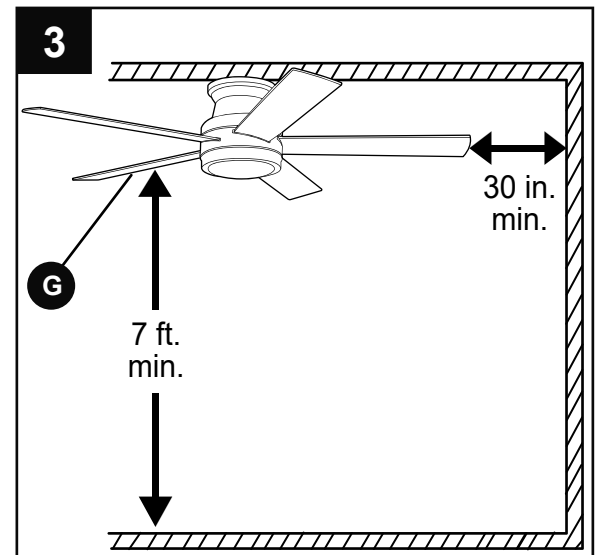
**⚠ WARNING:** To reduce the risk of personal injury, use **ONLY** parts provided with your new fan. The use of parts **OTHER** than those provided with this fan will void the warranty.

Set aside screws, spring washers and flat washers provided with the outlet box for fan installation.

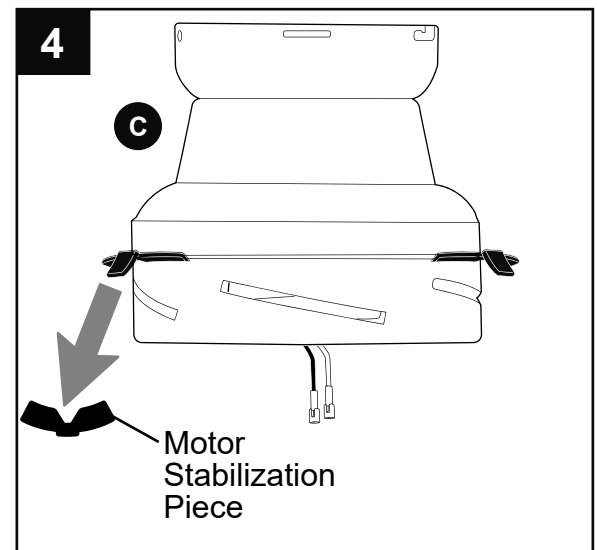


- This fan can be mounted as a **flushmount** on a regular (no-slope) ceiling only.

Check to make sure blades (G) will be at least 30 inches from any obstruction and at least 7 ft. above the floor.

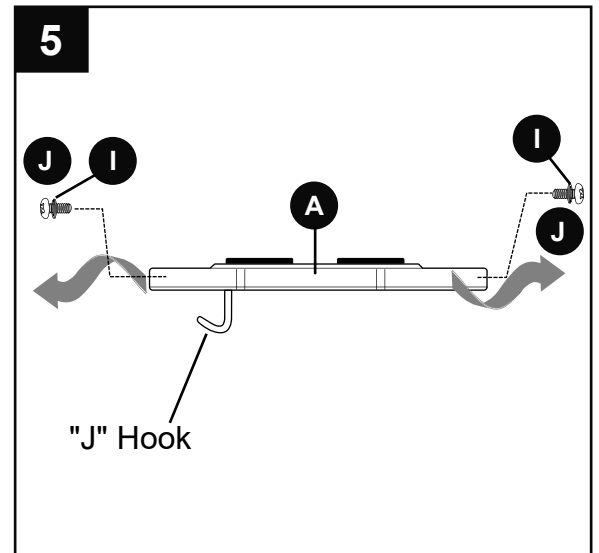


- Remove all three preassembled motor stabilization pieces from motor housing (C). The motor stabilization pieces may be discarded at this time.



## INITIAL INSTALLATION

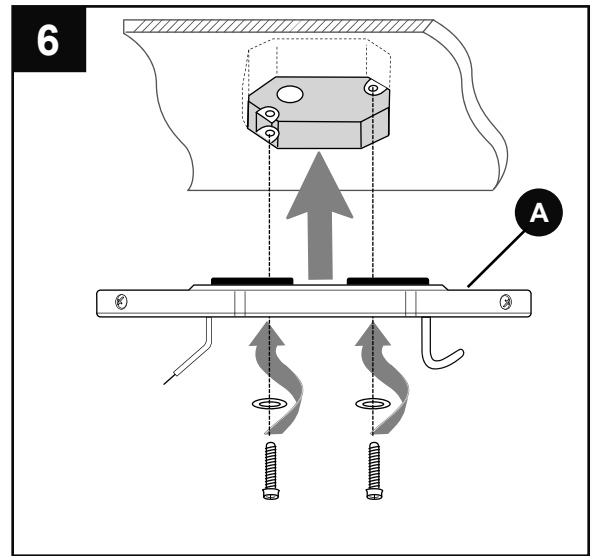
5. Locate mounting plate screw (J) (with mounting plate lock washer (I)) on outer edge of mounting plate (A) that is closest to the j-hook and remove that mounting plate screw (J) (with mounting plate lock washer (I)). Also, remove mounting plate screw (J) (with mounting plate lock washer (I)) on outer edge of mounting plate (A) directly opposite the one that was just removed. Partially loosen the other two mounting plate screws (J) (with mounting plate lock washers (I)).



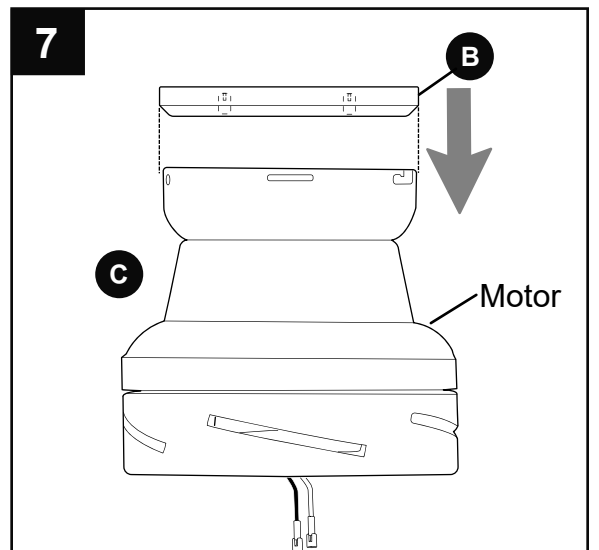
6. Secure mounting plate (A) to outlet box using screws, spring washers, and flat washers provided with the outlet box.

**\*NOTE:** It is very important you use the proper hardware when installing the mounting plate (A) as this will support the fan.

Pull electrical wiring from outlet box through center hole in the mounting plate (A).



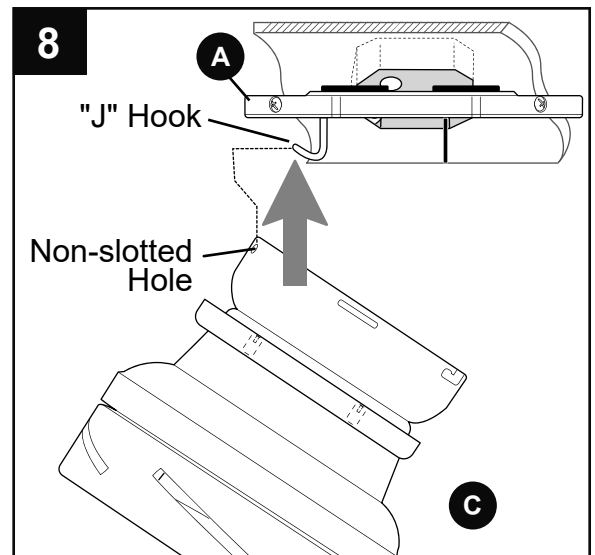
7. With wider opening facing up, place canopy ring (B) over **top** of motor housing (C). Allow canopy ring (B) to rest on top of motor for the time being.



## INITIAL INSTALLATION

8. Lift motor housing (C) to mounting plate (A). Hang motor housing (C) on j-hook on underside of mounting plate (A). [**IMPORTANT:** Use one of the non-slotted holes on the rim of the motor housing (C) to do so.]

This will allow motor housing (C) to hang out of the way while wiring.



## WIRING

**⚠ WARNING:** To reduce the risk of fire, electrical shock or personal injury, lever wire connectors provided with this fan are designed to accept only one 12-gauge house wire and one lead wire from the fan. If your house wire is larger than 12-gauge or there is more than one house wire to connect to the corresponding fan lead wires, consult an electrician for the proper size lever wire connectors to use.

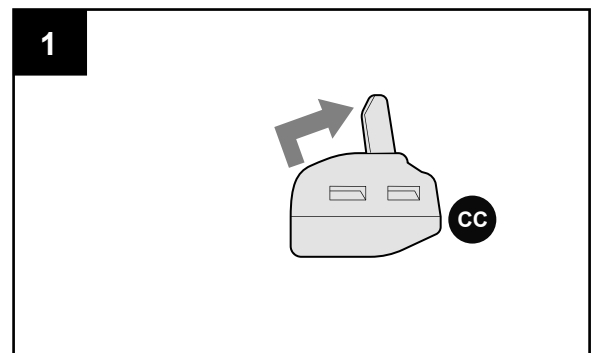
**⚠ CAUTION:** Be sure outlet box is properly grounded and that a ground (GREEN or BARE) wire is present.

**⚠ WARNING:** If house wires are different colors than referred to in the following steps, stop immediately. A professional electrician is recommended to determine wiring.

**⚠ WARNING:** Using a full range dimmer switch (not included) to control fan speed will cause a loud humming noise from fan. To reduce the risk of fire or electrical shock, do NOT use a full range dimmer switch to control fan speed.

**NOTE:** This fan is remote control adaptable (remote control not included). Please refer to instructions provided with the remote control before proceeding with these wiring instructions.

1. **IMPORTANT:** Each wire connection is made by firmly raising the levers on each lever wire connector (CC), as shown. Then, ONE wire is inserted into each opening.



## WIRING

- Choose wiring diagram (Fig. 2a, Fig. 2b or Fig. 2c) that fits your situation and make appropriate wiring connections per your selection in Step 2.

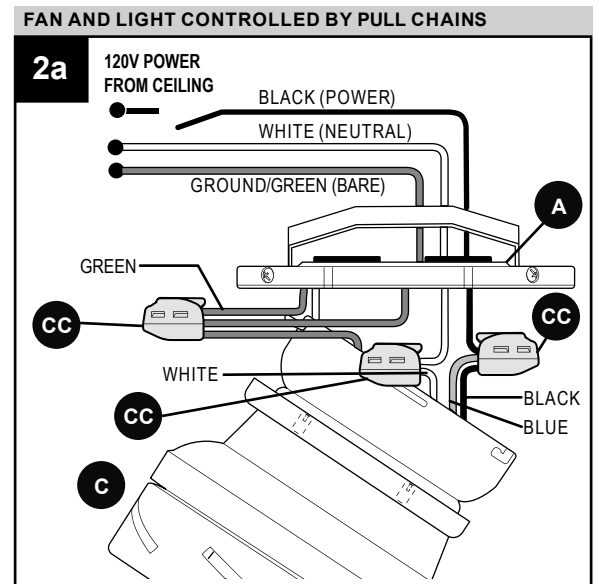
**⚠ WARNING:** In order for wire connections to be secure, all levers on the lever wire connectors (CC) must be completely returned to their original position as shown in the wiring diagram, option 2a, 2b or 2c, which corresponds to your wiring needs.

### 2a. FAN AND LIGHT CONTROLLED BY PULL CHAINS

**CHAINS:** Insert each GROUND (GREEN) wire from fan (on motor housing (C) and mounting plate (A)) and the BARE/GREEN wire from ceiling into openings in lever wire connector (CC) with three levers.

Insert BLACK wire and BLUE wire from fan and BLACK wire from ceiling into openings in lever wire connector (CC) with three levers.

Insert WHITE wire from fan and WHITE wire from ceiling into openings in lever wire connector (CC) with two levers.



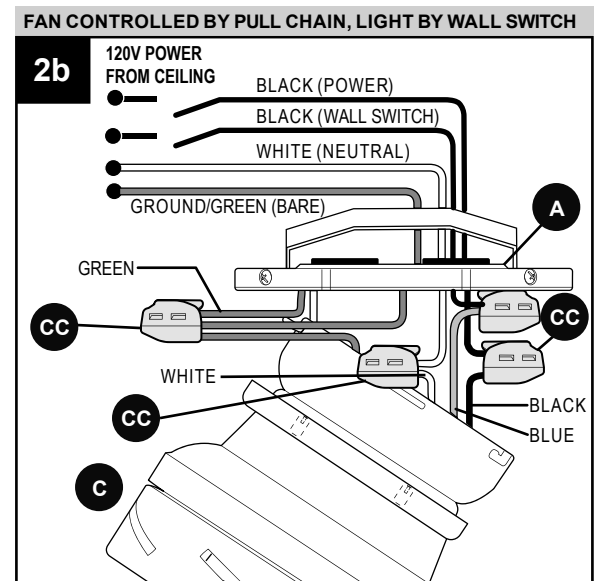
### 2b. FAN CONTROLLED BY PULL CHAIN, LIGHT BY WALL SWITCH

**CHAINS:** Insert each GROUND (GREEN) wire from fan (on motor housing (C) and mounting plate (A)) and the BARE/GREEN wire from ceiling into openings in lever wire connector (CC) with three levers.

Insert BLACK wire from fan and BLACK wire from ceiling into openings in lever wire connector (CC) with three levers.

Insert WHITE wire from fan and WHITE wire from ceiling into openings in lever wire connector (CC) with two levers.

Insert BLUE wire and BLACK (or RED) wire from the independent wall switch for the light into openings in lever wire connector (CC) with two levers.



## WIRING

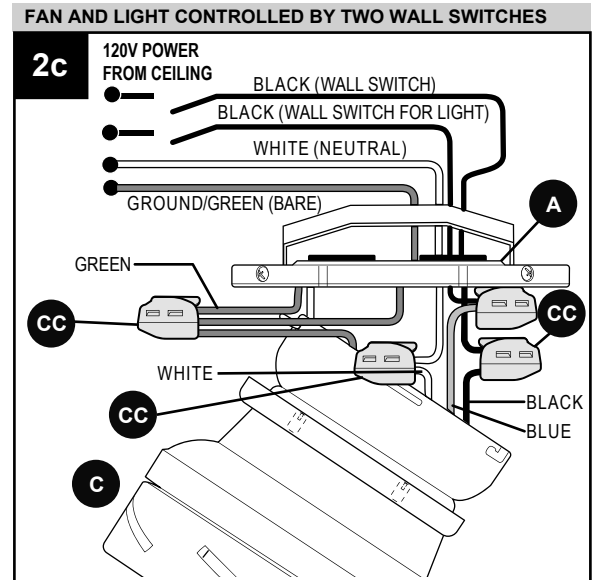
### 2c. FAN AND LIGHT CONTROLLED BY TWO WALL SWITCHES:

Insert each GROUND (GREEN) wire from fan (on motor housing (C) and mounting plate (A)) and the BARE/GREEN wire from ceiling into openings in lever wire connector (CC) with three levers.

Insert BLACK wire from fan and BLACK (or RED) wire from the independent wall switch for the fan into openings in lever wire connector (CC) with three levers.

Insert BLUE wire from fan and BLACK (or RED) wire from the other independent wall switch for the light into openings in lever wire connector (CC) with two levers.

Insert WHITE wire from fan and WHITE wire from ceiling into openings in lever wire connector (CC) with two levers.



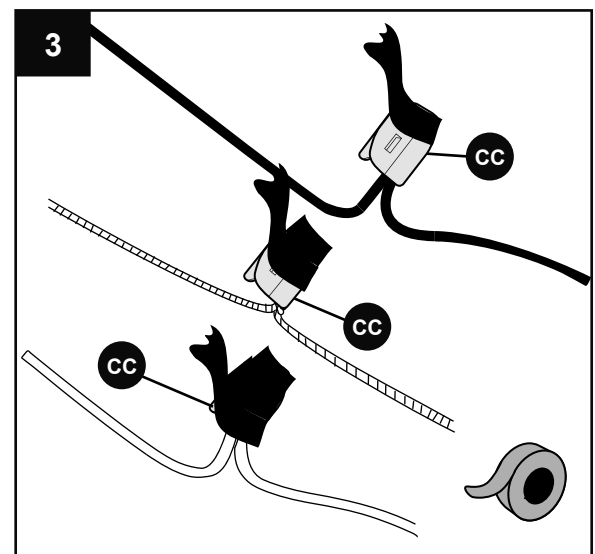
**NOTE:** BLACK wire is hot power for fan. BLUE wire is hot power for light kit. WHITE wire is common for fan and light kit. GREEN or BARE wire is GROUND.

**⚠ WARNING:** GENTLY pull on wire in each lever wire connector (CC) to confirm the lock is engaged and that all wires are secure.

3. Wrap electrical tape around each individual lever wire connector (CC) down to the wire.

**⚠ WARNING:** Make sure no bare wire or wire strands are visible after making connections. Place GREEN and WHITE connections on opposite side of box from the BLACK and BLUE (if applicable) connections.

Turn spliced/taped wires upward and gently push wires and lever wire connectors (CC) into outlet box.

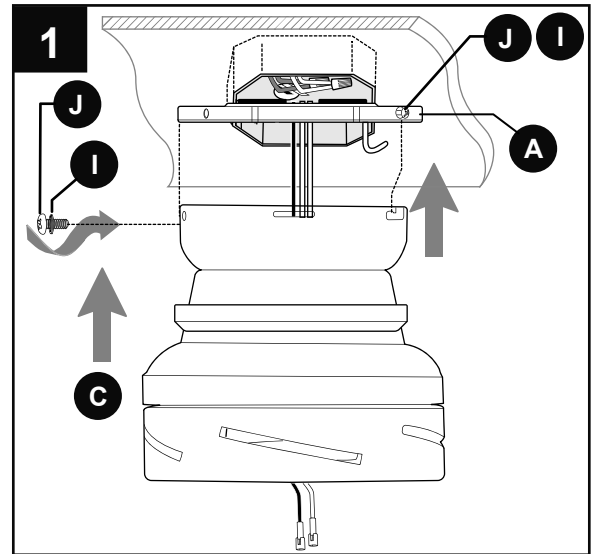


### Hardware Used

	Lever Wire Connector		x 4
--	----------------------	---	-----

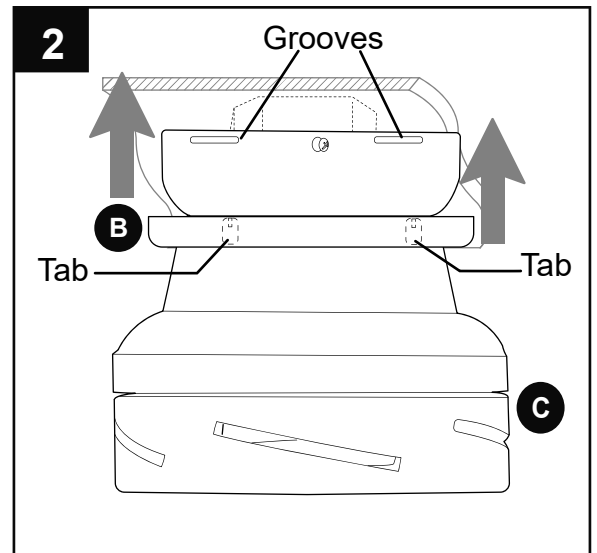
## FINAL INSTALLATION

1. Remove motor housing (C) from "J" hook and slide top of motor housing (C) over mounting plate (A), aligning slotted holes in motor housing (C) with loosened mounting plate screws (J) (with mounting plate lock washers (I)) in mounting plate (A). Twist motor assembly (C) to lock. Re-insert the other two mounting plate screws (J) (with mounting plate lock washers (I)) previously removed (Step 5, page 8) to secure motor housing (C). Tighten all mounting plate screws (J) securely.



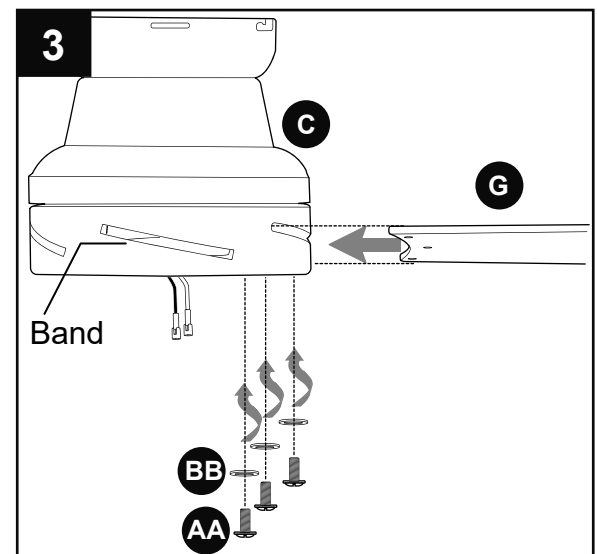
2. Locate four tabs inside canopy ring (B). Align tabs in canopy ring (B) with four grooves at top of motor housing (C) and raise canopy ring (B) until you hear tabs snap into grooves.

**NOTE:** Canopy ring (B) should fit flush to ceiling when installed correctly.

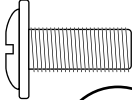
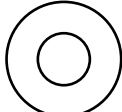


3. **⚠ DANGER:** To reduce the risk of serious bodily injury, DO NOT use power tools to assemble the blades (G). If screws are overtightened, blades (G) may crack and break.

Insert one blade (G) through a slot on the band of the motor housing (C). Align holes in blade (G) with holes in plate on underside of motor. Attach the blade (G) with blade screws (AA) and fiber blade washers (BB). Then, tighten each blade screw (AA), starting with the one in the middle. Repeat for remaining blades (G).

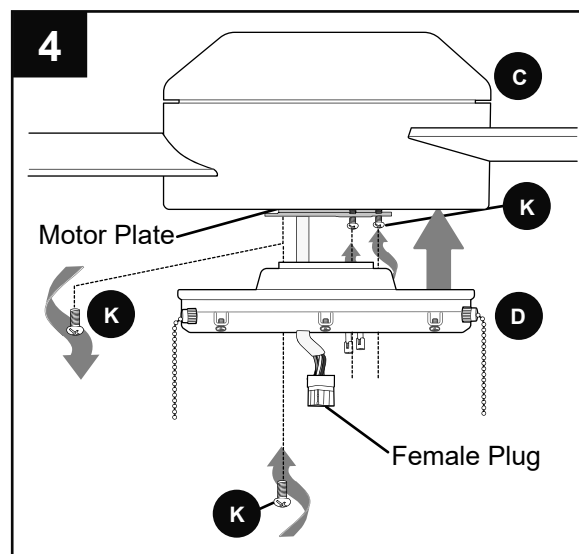


### Hardware Used

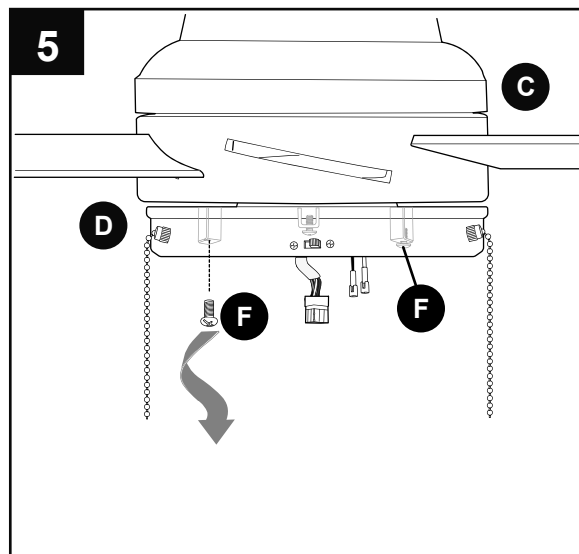
<b>AA</b>	Blade Screw		x 15
<b>BB</b>	Fiber Blade Washer		x 15

## FINAL INSTALLATION

- Remove one motor plate screw (K) from motor plate preassembled on the underside of the motor housing (C) and partially loosen the other two motor plate screws (K). Align slotted holes in switch housing (D) with loosened motor plate screws (K), allowing female plug from motor housing (C) to come through hole in switch housing (D). Twist switch housing (D) to lock. Re-insert the motor plate screw (K) that was removed and securely tighten all three motor plate screws (K).

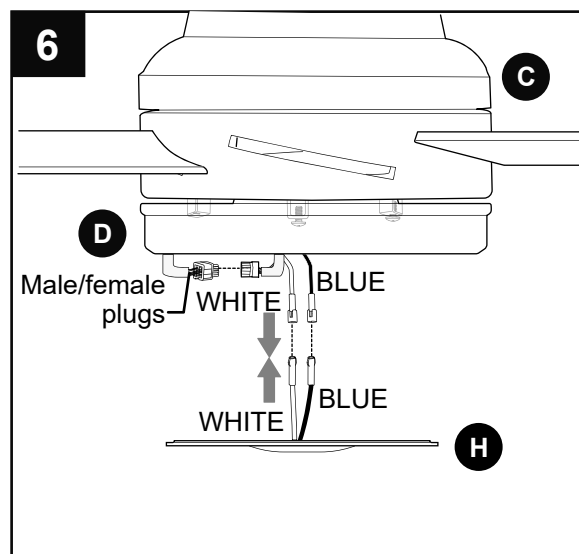


- Remove one switch housing screw (F) from switch housing (D) and partially loosen the other two switch housing screws (F).



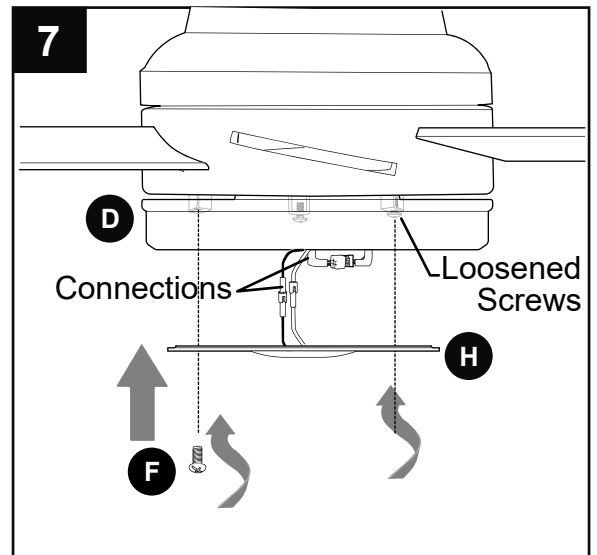
- Connect female plug from motor housing (C) to male plug from switch housing (D), matching up the colors on the plugs for correct fit. Make sure plugs connect tightly.

Locate BLUE and WHITE wires in switch housing (D). Connect WHITE wire from LED light kit (H) to WHITE wire from switch housing (D). Connect BLUE wire from LED light kit (H) to BLUE wire from switch housing (D). Make sure molex connections are secure.

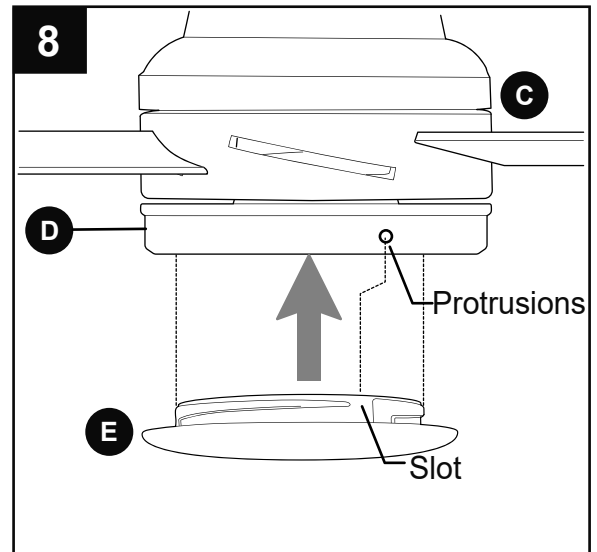


## FINAL INSTALLATION

- Carefully arrange wire connections inside switch housing (D). Align slotted holes in LED light kit (H) with loosened switch housing screws in switch housing (D). Twist LED light kit (H) to lock. Re-insert switch housing screw (F) previously removed. Tighten all three switch housing screws (F) securely.



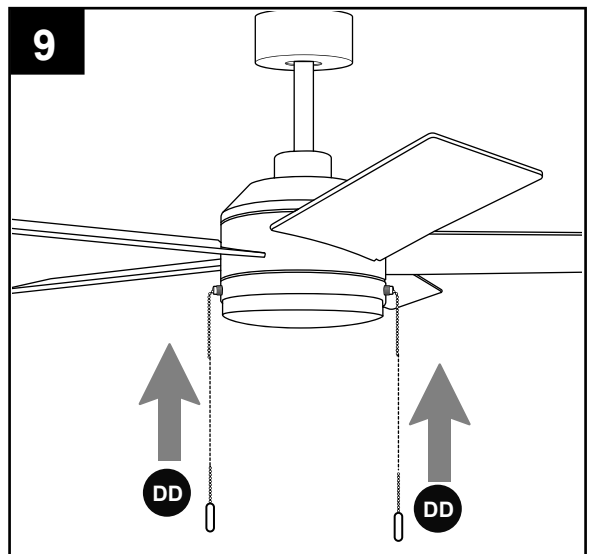
- Align slots on shade (E) with protrusions on the inside of switch housing (D). Turn shade (E) to the right (clockwise) until it no longer turns.  
**NOTE:** Pull down **gently** on the shade (E) to make sure that it is secured completely.



- Attach pull chain extensions (DD) or custom pull chain extensions (not included) to corresponding fan and light pull chains.

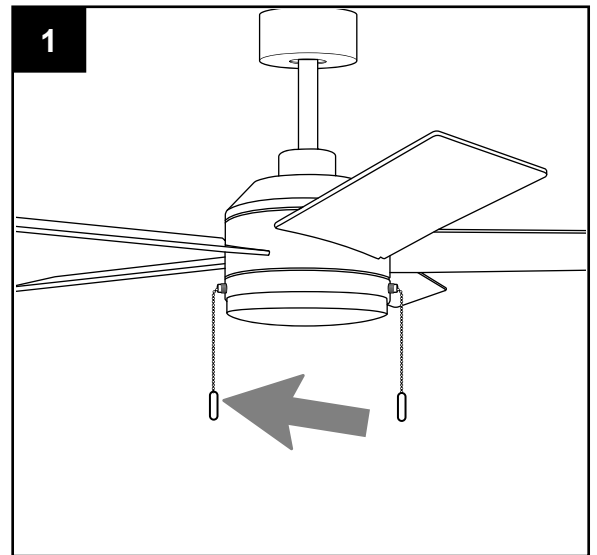
### Hardware Used

- DD Pull Chain Extension x 2
- 
- The diagram shows a pull chain extension (DD) consisting of a metal link and a chain of small rings.



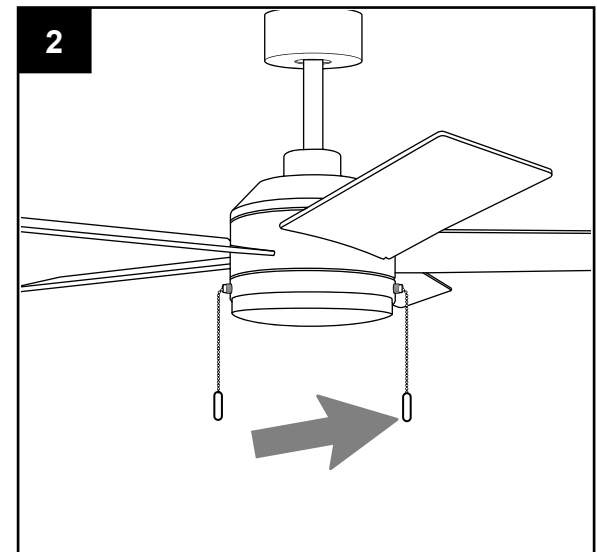
## OPERATING INSTRUCTIONS

1. The pull chain labeled FAN has four positions to control fan speed. One pull is HIGH, two is MEDIUM, three is LOW and four turns the fan OFF.



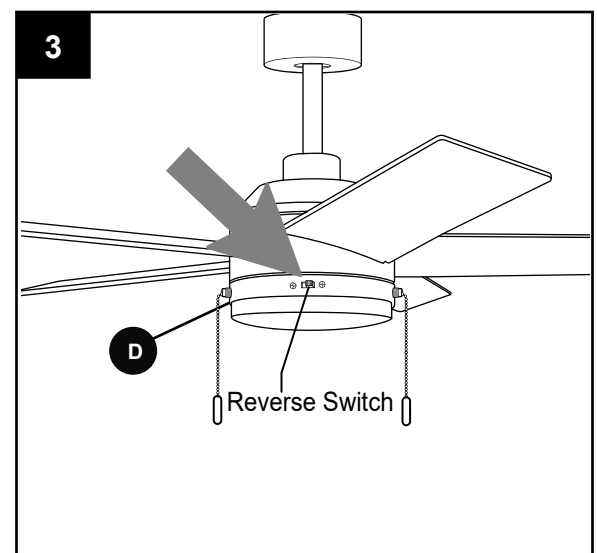
2. The pull chain labeled LIGHT is used to control the light.

To turn the light ON or OFF, simply pull down on and then let go of the light pull chain.



3. Use the fan reverse switch, located on switch housing (D), to optimize your fan for seasonal performance. A ceiling fan will allow you to raise your thermostat setting in summer and lower your thermostat setting in winter without feeling a difference in your comfort.

**NOTE:** Wait for fan to stop before moving the reverse switch.

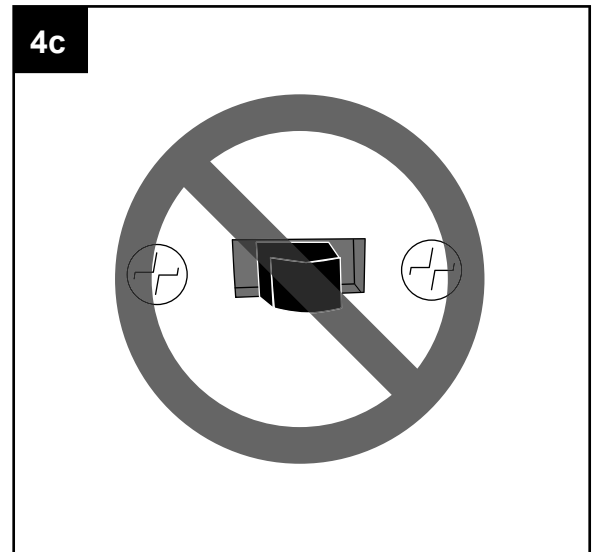
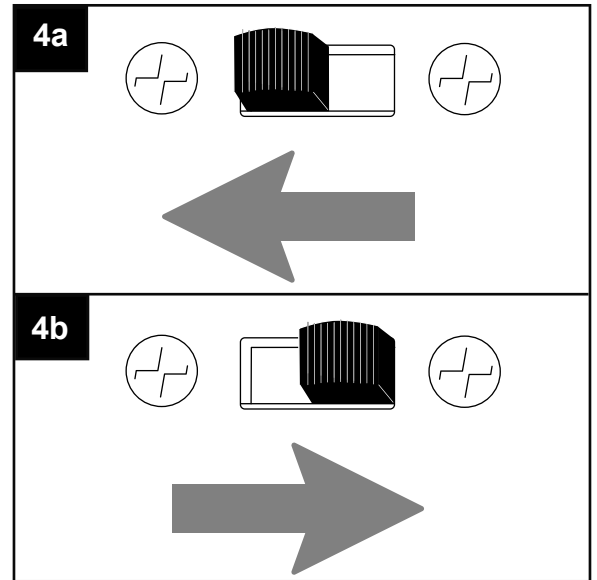


## OPERATING INSTRUCTIONS

4a. In **warmer** weather, setting the reverse switch in the **LEFT** position will result in downward airflow creating a wind chill effect.

4b. In **cooler** weather, setting the reverse switch in the **RIGHT** position will result in upward airflow that can help move stagnant, hot air off the ceiling area.

4c. **IMPORTANT:** Reverse switch must be set either **completely LEFT** or **completely RIGHT** for fan to function. If the reverse switch is set in the **middle** position, fan will not operate.



## CARE AND MAINTENANCE

At least twice each year, check mounting plate screws (J) and then tighten all screws on the fan. Clean motor housing (C) with only a soft brush or lint-free cloth to avoid scratching the finish. Clean blades (G) with a lint-free cloth.

**IMPORTANT:** Shut off main power supply before beginning any maintenance. Do not use water or a damp cloth to clean the ceiling fan.

- Total wattage for the light kit for this fan is 18 watts; do not attempt to replace the LEDs.

## TROUBLESHOOTING

**! WARNING:** Before beginning work, shut off the power supply to avoid electrical shock.

PROBLEM	POSSIBLE CAUSE	CORRECTIVE ACTION
Fan does not move.	<ol style="list-style-type: none"> <li>1. Reverse switch not engaged.</li> <li>2. Power is off or fuse is blown.</li> <li>3. Faulty wire connection.</li> </ol>	<ol style="list-style-type: none"> <li>1. Push switch firmly either left or right.</li> <li>2. Turn power on or check fuse at circuit breaker.</li> <li>3. Turn power off. Loosen motor assembly and check all connections.</li> </ol>
Noisy operation.	<ol style="list-style-type: none"> <li>1. Blades are loose.</li> <li>2. Cracked blade.</li> <li>3. Full range dimmer switch.</li> <li>4. Fan is new.</li> <li>5. Motor housing is loose.</li> </ol>	<ol style="list-style-type: none"> <li>1. Tighten all blade screws.</li> <li>2. Replace blade.</li> <li>3. Use only with included speed control device.</li> <li>4. Allow fan a "break in" period of a few days, especially when running the fan at Medium and High speeds.</li> <li>5. Verify mounting plate screws are secure according to instructions on page 12.</li> </ol>
Excessive wobbling.	<ol style="list-style-type: none"> <li>1. Blades are loose.</li> <li>2. Blade incorrectly attached.</li> <li>3. Unbalanced blades.</li> <li>4. Fan not securely mounted.</li> </ol>	<ol style="list-style-type: none"> <li>1. Tighten all blade screws.</li> <li>2. Re-install blades.</li> <li>3. Switch one blade with a blade from the opposite side.</li> <li>4. Verify mounting plate is secure.</li> </ol>
Fan operates but light fails.	<ol style="list-style-type: none"> <li>1. Wall switch to light is off.</li> <li>2. Wires in switch housing not wired correctly.</li> </ol>	<ol style="list-style-type: none"> <li>1. Make sure wall switch to light is on.</li> <li>2. Check that connections in switch housing are connected properly according to instructions on page 13.</li> </ol>

**NOTE:** A small amount of "wobble" is normal and should not be considered a defect.

## LIMITED LIFETIME WARRANTY

Set forth below, the manufacturer warrants the fan motor for this ceiling fan to be free from defects in workmanship and material for the life of the product. Also, subject to the limitations below, the manufacturer warrants all ceiling fan parts (“ceiling fan parts” excludes the motor and parts made in whole or in part with glass) to be free from defects in workmanship and material for a period of one year after the date of purchase by the original purchaser at retail.

All claims must be made by the original purchaser, whether such purchaser purchased the product through a store or contractor. Ceiling fan part defects must be reported within the first year from the date of purchase. Parts made in whole or in part with glass and the finishes of metal and other surfaces are not warranted.

Purchasers are responsible for all costs of removing and reinstalling the product. Any damage to any part caused by ordinary wear and tear, accident, misuse, or improper installation, is not covered by this warranty. The manufacturer assumes no responsibility whatsoever for fan installation. Any service performed by a non-licensed electrician will render the warranty invalid.

The manufacturer’s sole responsibility shall be to repair or replace the motor, parts, or product within the terms stated above. The manufacturer shall not be liable for any loss or damage of any kind, including any incidental or consequential damages resulting directly or indirectly, from any breach of warranty, express or implied, or any other failure of this product. Some states do not allow the exclusion or limitation of incidental or consequential damages so this limitation may not apply to you.

If the original purchaser ceases to own the fan, this warranty is voided.

Should the purchaser encounter a problem with your fan related to defects in workmanship or materials within the warranty period associated with the defective part, the manufacturer agrees to replace the defective part without charge, or at its option, to replace the ceiling fan with a comparable or superior model.

The manufacturer’s warranties are limited to the written warranties set out in this ceiling fan limited lifetime warranty. All other express and implied warranties, including, without limitation, the implied warranty of fitness for a particular purpose and the implied warranty of merchantability are disclaimed. Some states do not allow the disclaimer of implied warranties, so this disclaimer may not apply to you.

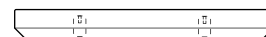
## REPLACEMENT PARTS LIST

All parts are replaceable (see parts list in “Package Contents” on Page 5), however, only the parts listed below are under warranty. For replacement parts, call our customer service department at **888-251-1003**, 8 a.m. - 8 p.m., EST, Monday - Sunday. You could also contact us at [ascs@lowes.com](mailto:ascs@lowes.com).

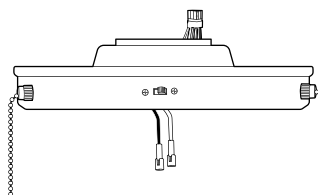
PART	DESCRIPTION	PART #
A	Mounting Plate	6030887-A
B	Canopy Ring	6030887-B
D	Switch Housing	6030887-D
E	Shade	6030887-E
G	Blade	6030887-G



A



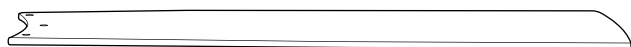
B



D



E



G