

MyGenie



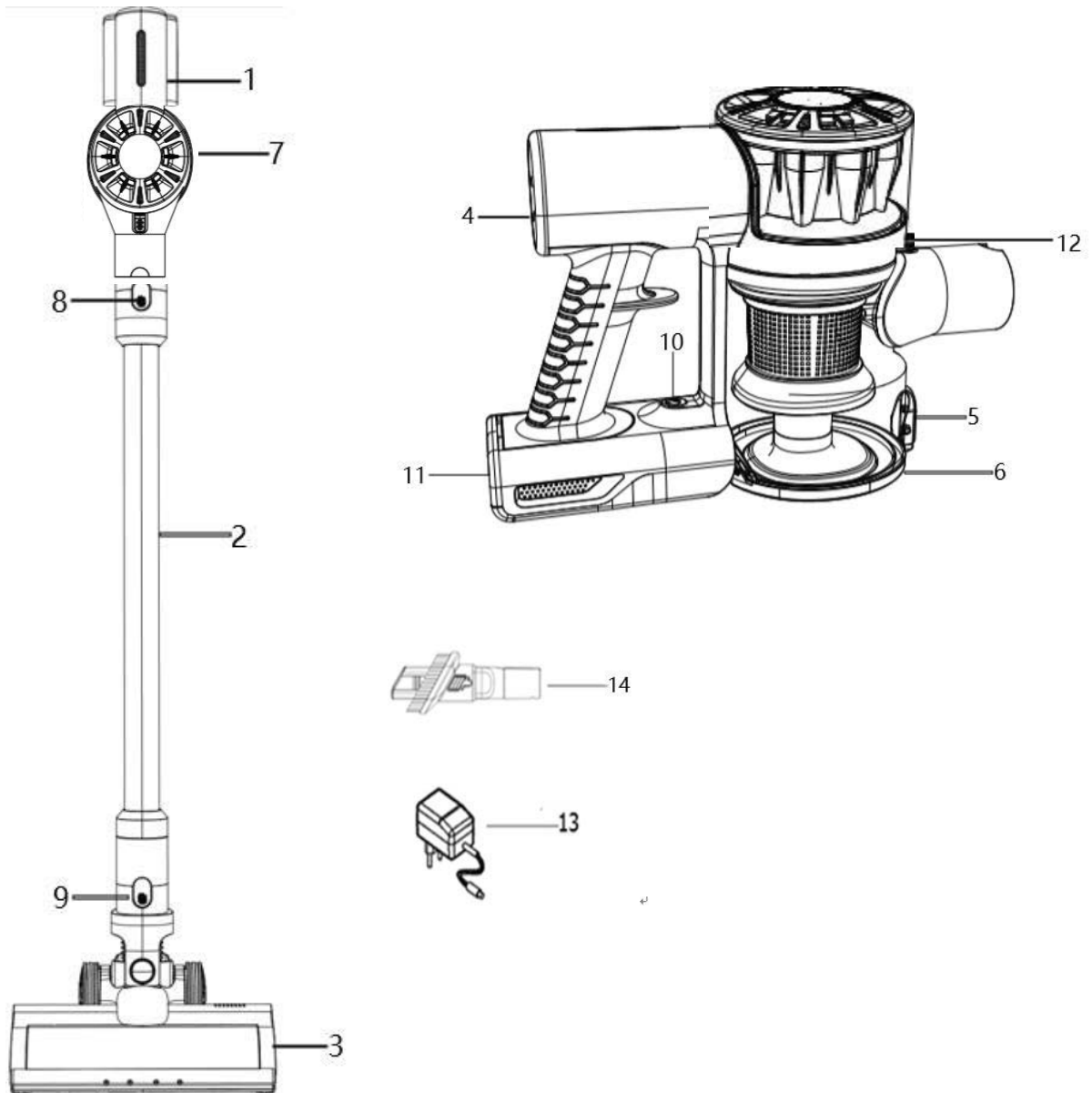
Mygenie X5 Cordless Vacuum Cleaner

Warning:

1. Read this instruction booklet carefully.
2. This appliance is for domestic use only. Use as described in this instruction booklet.
3. Before using this appliance, check that the main power voltage corresponds to the voltage shown on the rating plate.
4. Do not use the appliance to vacuum all the below things:
 - water and other liquids
 - hot ashes and other combustible things
 - sharp matter
 - wood pieces, gesso, cement, calcimine and other tiny granules
 - Keep the vacuum cleaner away from stoves and heat-emitting appliance. Heat can deform and discolor the plastic parts of unit.
 - Always remove the plug from the power socket when the appliance is not in charging.
 - Never use spirits or other solvents to clean the appliance.
 - Never leave the appliance unattended when it is switched on.
 - Do not switch the appliance on if it appears to be faulty in any way.
 - The battery must be removed from the appliance before its disposed.
 - The battery is to be disposed of safely.
 - The Appliance must be disconnected from the power when removing the battery.
 - Never use spirits or other solvents to clean the appliance.
 - Do not put any object into openings. Do not use with any opening blocked; keep free of dust, lint, hair and anything that may reduce air flow.
 - Keep hair, loose clothing, fingers, and all parts of body away from openings and moving parts.
 - Only the adapter provided by the manufacturer can be used.
 - This appliance can be used by children aged from 8 years and above.

Description Of Parts:

1.Cordless vacuum cleaner main unit	2.Conductive aluminum tube
3.Electrical floor brush	4.On/off button
5. Bottom cover release button	6.Removeable dust cup
7. Battery Indicator light	8. Conductive aluminum tube release button
9.Floor brush release button	10.Charge port
11.Battery pack	12. Dust cup release button
13. Adapter	14. 2 in 1 brush



INSTRUCTION OF USE

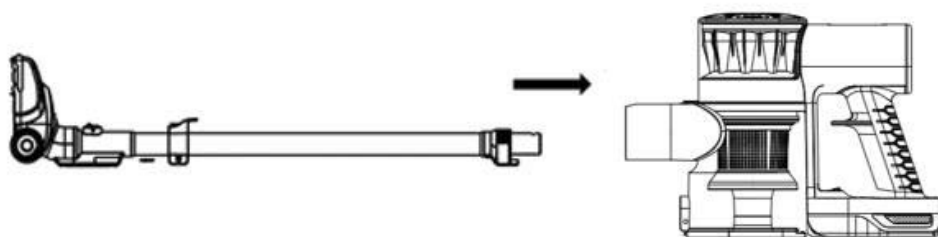
Note:

Before using the Cordless Vacuum cleaner for the first time, clean it with a soft, damp cloth and dry thoroughly.

Do not immerse the Cordless Vacuum cleaner in water or any other liquid.

Assembling the Cordless Vacuum cleaner

1. Assembling the aluminum tube



Fit the tube onto the main body's air inlet until it clicks into position.

If need to remove the tube, hold the main body, press the release knob and remove the tube

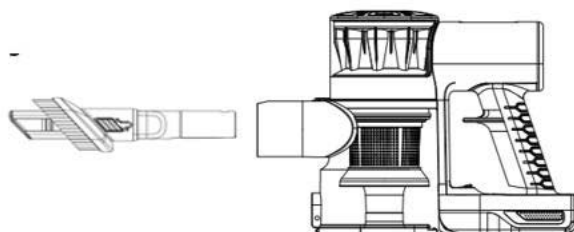
Assembling the electrical floor brush

2. Fit the electrical floor brush onto the tube until it click into the position.

If need to remove the electrical floor brush, hold the aluminum tube, press the floor brush release knob and remove the brush from the tube.



3. Assembling the 2 in 1 brush



Fit the accessory on the main body's air inlet and/or on the tube until it clicks into position.

The 2 in 1 brush is good for cleaning stairs, corners.

Operating the Cordless Vacuum cleaner

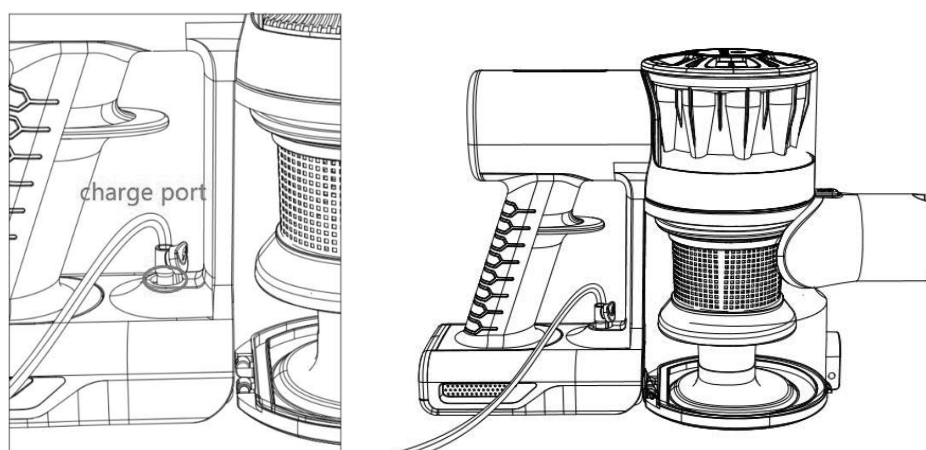
Before first time use, ensure the vacuum cleaner has been charged 4-4.5hours.

Turn on the Cordless vacuum cleaner by pressing the ON/OFF button.

Note: Battery indicator light represents battery capacity and will illuminate during use. The indicator light will turn off one by one as the battery runs out.

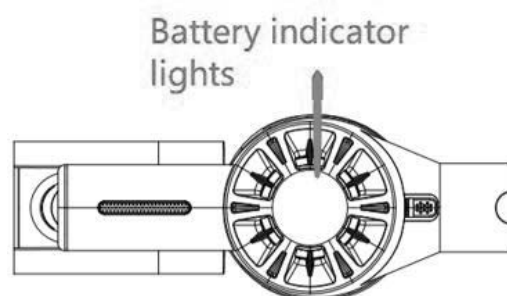
Warning: Do not use the Cordless Vacuum without the removable filter or dust bin in position.

Charging product



1. Turn off the Cordless vacuum cleaner.
2. Connect the adapter to the charge port on the main unit.
3. Plug the adapter into the main power supply.

The battery indicator display light will flash in a ring. Once the battery is fully charged, the battery indicator lights indicated by the battery are always bright in a ring.

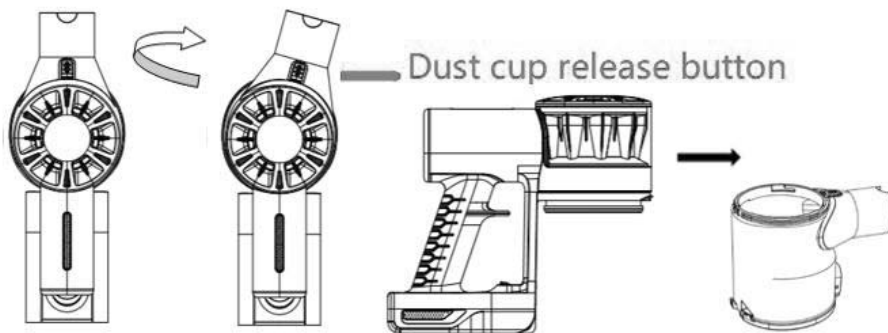


Warning: Do not use any main power adaptor other than that supplied, as using an alternative will increase the risk of injury and/or damage to main product.

CARE AND MAINTENANCE

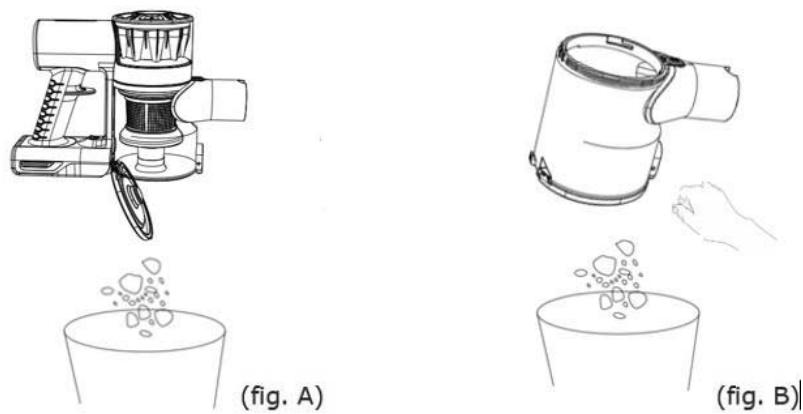
Filter replacement and cleaning

1. Turn off the Cordless vacuum cleaner
2. Press and hold the dust cup release button and rotate the dust cup at a clockwise angle of 30 °, then remove the whole dust cup.



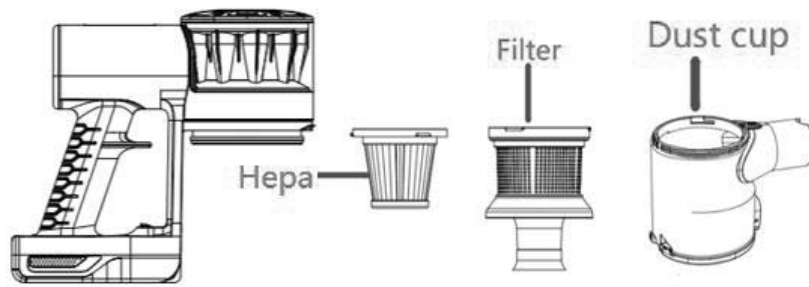
3.How to clean the dust cup:

Without removing the dust cup, Press the dust cup release button directly, Then drop the dust into waste container.(fig. A)

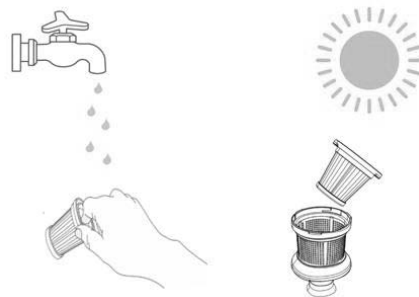


Or you can remove the dust cup and Press the dust cup release button directly, Then drop the dust into waste container.(fig. B)

- 4.Remove filter assembly: Filter, Hepa , Dust cup.



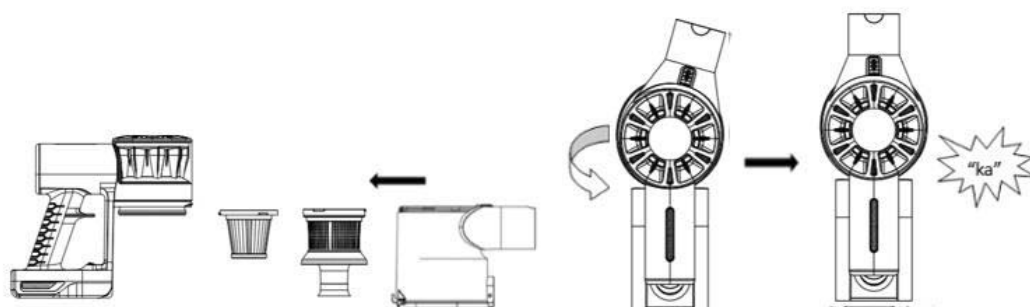
5. Cleaning the filter/hepa in water, wait for it to dry completely.



6. Put the filter/hepa back into the dust cup carefully.



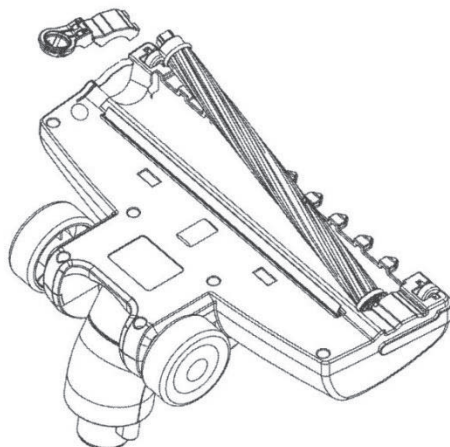
7. Put the dust cup back into the main body: Dust cup counterclockwise rotation into the slot, hear the sound of "ka", that means the dust cup installed in place.



Rotating brush cleaning

1. Turn the brush bottom screw to unlock position (picture)
2. Open the brush bottom fixed device.
3. Show brush, clean the rotating brush on the twisting thing.
4. Put the rotating brush back.

5. Turn the brush bottom screw to lock position



BATTERY REMOVAL AND DISPOSAL

Discarded batteries are nonenvironmentally friendly and disposed of it in accordance with applicable regulations.

- Discharge the battery by running the appliance to stop the engine at idle.
- Remove the battery from the appliance.

Attention:

The battery pack of this model vacuum cleaner is Non-removable. If you need to replace battery pack ,Please send it to a professional maintenance station.

PRODUCT TECHNICAL PARAMETERS

Model number	Mygenie X5
Rated power	120W
Model output	22.2V
Input	100-240V/ 50-60Hz
Output	26V 450mA
Mode:	
-High	10Kpa/ 15-22mins
-Low	7Kpa/ 27-35mins
Charging time	4H

TROUBLE SHOOTING GUIDE

PROBLEM	POSSIBLE REASON	POSSIBLE SOLUTION
HAND VACUUM WILL NOT OPERATE	<ol style="list-style-type: none"> 1.no power in electrical outlet supplying transformer 2.unit needs servicing 	<ol style="list-style-type: none"> 1.check fuse or breaker .replace fuse/reset breaker.
HAND VACUUM WILL NOT PICK-UP OR SUCTION POWER IS WEAK	<ol style="list-style-type: none"> 1.Dust cup is full. 2.Dust cup filter needs cleaning. 	<ol style="list-style-type: none"> 1.Empty dust cup. Remove dust cup filter and check for object(s) in air duct and remove.
DUST ESCAPING FROM HAND VACUUM	<ol style="list-style-type: none"> 1.Dust cup is full. 2.Dust cup filter is not installed correctly. 3.Puncture/hole in dust cup filter. 	<ol style="list-style-type: none"> 1.Empty dust cup . 2.Review dust cup filter instruction. 3.Replace dust cup filter.
HAND VACUUM BRUSHES WILL NOT PICK-UP	<ol style="list-style-type: none"> 1.Dust cup is full. 	<ol style="list-style-type: none"> 1.Empty and clean dust cup container.

Warranty Information

The manufacturer provides warranty in accordance with the legislation of the customer's own country of residence, with a minimum of 1 year, starting from the date on which the appliance is sold to the end user.

The warranty only covers defects in material or workmanship.

The repairs under warranty may only be carried out by an authorized service centre.

When making a claim under the warranty, the original bill of purchase (with purchase date) must be submitted.

The warranty will not apply in cases of:

- Normal wear and tear
- Incorrect use, e.g. overloading of the appliance, use of non-approved accessories
- Use of force, damage caused by external influences
- Damage caused by non-observance of the user manual, e.g. connection to an unsuitable mains supply or non-compliance with the installation instructions
- Partially or completely dismantled appliances

