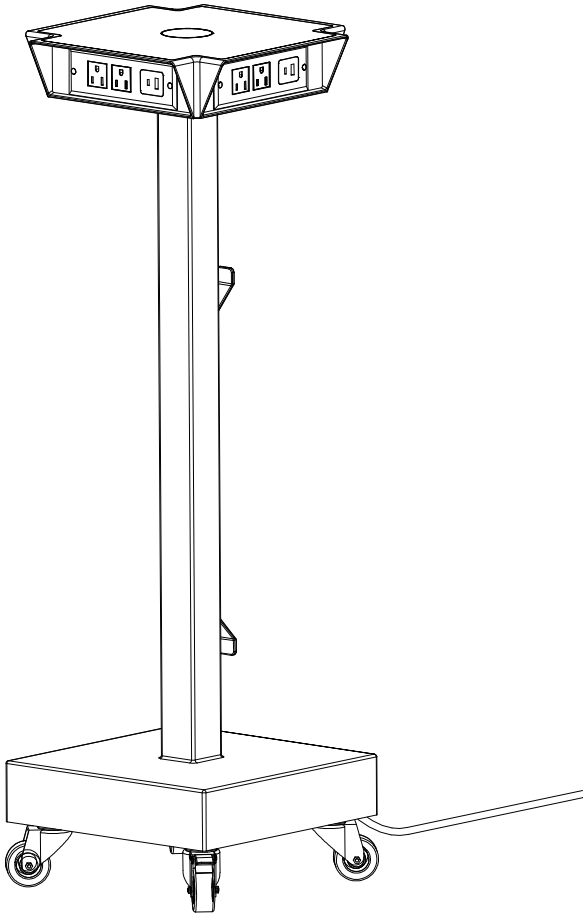
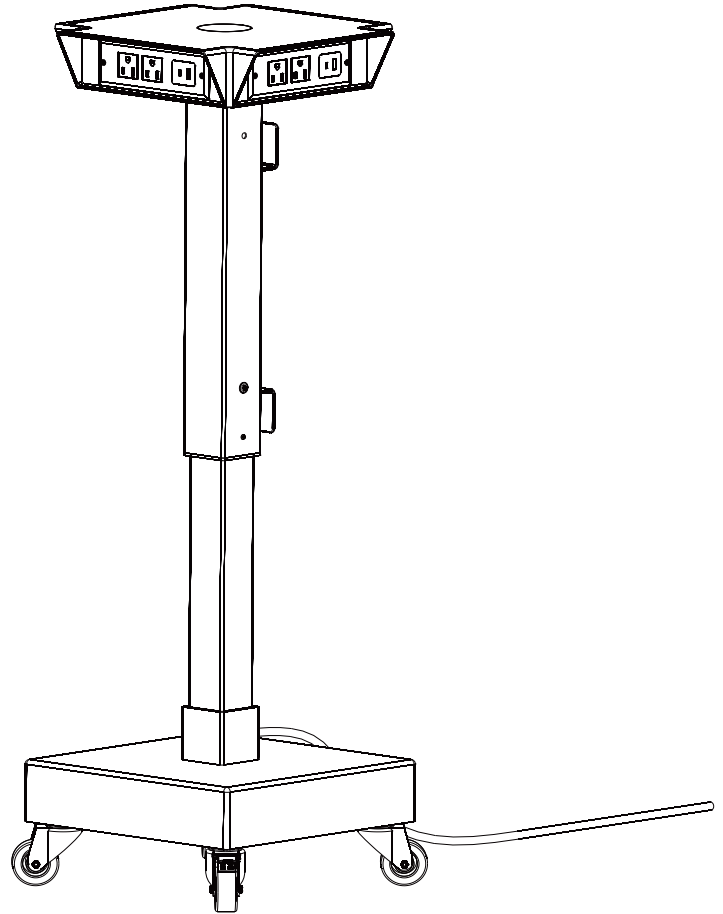


Product name: Mobile Charging Tower



Model: CTB16W



Model: CTB16WX
(Height adjustable)

The HamiltonBuhl® PowerPost Plus™ Mobile Charging Tower delivers convenient and versatile power for your classroom. Students, visitors or employees no longer have to search for or share power outlets.

PowerPost Plus™ instantly provides access up to eight 3-prong AC outlets and four USB-A outlets and four USB-C outlets, it also features a Qi2-certified 15W planar magnetic wireless charger to multiple users in a group seating, classroom, lobby, lounge area or cafeteria.

The durable steel frame includes a cord winder for 20' power cable with a 3-prong plug. Four 2" casters, 2 with breaks roll smoothly to move the tower where you need it most.

Features:

- Increase your classroom or office power options with 8 3-prong AC outlets and 8 USB outlets (4 USB-A and 4 USB-C)
- It also features a Qi2-certified 15W planar magnetic wireless charger
- Ideal for providing power to laptops, Chromebook, tablets, or smart phones.
- Mobile with a 20' cord to relocate where you need power
- Casters lock to stay put where you need it
- Easy access with 2 USB outlets and 2 AC outlets located on each side
- Cord winder for better cord management; easy storage

Specification

4 Sockets : 2 x 125V 3 Prong AC Outlets + 1 x Type A USB & 1 x Type C UsB / Socket
Rated voltage : 110-125V~
Frequency: 50/60Hz
Rated current : 15A
Maximum total : MAX 1, 650W
USB input : 0. 55A, 110V-125VAC/60Hz
USB output :
USB-A 18W : 5VDC 3A or 9VDC 2. 22A or 12VDC 1. 67A
USB-C 20W : 5VDC 3A or 9VDC 2. 22A or 12VDC 1. 67A
USB-A & USB-C 15W : 5VDC 3A MAX
Magnetic Wireless Charger x 1:
Input : 9V/2. 22A
Output : 5W/7. 5W/10W/15W

Operation Description _CTB 16W

1. Product Description

4 Sockets : 2 x 125V 3 Prong AC Outlets + 1 x Type A USB & 1 x Type C USB / Socket

2 x 125V 3 Prong AC Outlets

1 x Type A USB

1 x Type C USB

1 Magnetic Wireless Charger

2. Work sequence description

The CTB16W charging tower is a mobile device that combines four electrical outlets, each with two AC and two DC charging outlets, and an additional wireless charging. Both can be used independently.

3. Qi2 Wireless charging message

Coil parameters

Coil model : QI2 dedicated hot air coil

Coil type: single coil

Inductance value: $8.0\mu\text{H} \pm 10\%$

Protection function

Overvoltage protection: Overvoltage protection value of 10.4V

Overcurrent detection: Overcurrent protection value of 2.5A

Foreign object detection: supported, one yuan coin

Short circuit protection: Supports

Temperature protection: Reduce power at 70-75 °C, disconnect at 75-80 °C, restore at 50-55 °C.

FCC COMPLIANCE STATEMENT:

This device complies with part 15 of the FCC Rules.

Operation is subject to the following two conditions:

- (1) This device may not cause harmful interference, and
- (2) this device must accept any interference received, including interference that may cause undesired operation.

Note: This equipment has been tested and found to comply with the limits for a Class B digital device, pursuant to Part 15 of the FCC Rules. These limits are designed to provide reasonable protection against harmful interference in a residential installation. This equipment generates, uses and can radiate radio frequency energy and, if not installed and used in accordance with the instructions, may cause harmful interference to radio communications.

However, there is no guarantee that interference will not occur in a particular installation. If this equipment does cause harmful interference to radio or television reception, which can be determined by turning the equipment off and on, the user is encouraged to try to correct the interference by one or more of the following measures:

- Reorient or relocate the receiving antenna.
- Increase the separation between the equipment and receiver.
- Connect the equipment into an outlet on a circuit different from that to which the receiver is connected.
- Consult the dealer or an experienced radio/TV technician for help.

Warning: Changes or modifications to this unit not expressly approved by the part responsible for compliance could void the user's authority to operate the equipment.

FCC Radiation Exposure Statement

The device has been evaluated to meet general RF exposure requirement.

The device can be used in mobile (min 20cm) exposure condition.