

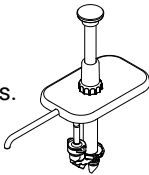
Stainless Steel Pump

for use with pouches with 16mm fitments

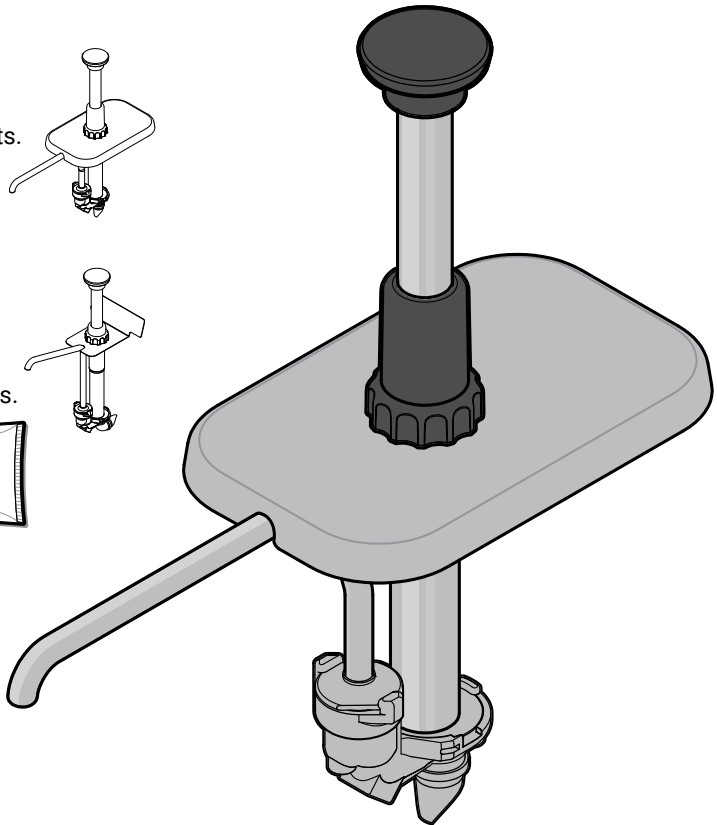
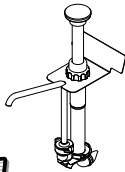
MODELS INCLUDE:

FP-EZT

Use 48 fl. oz
pouches with
center fitments.



Use 96 fl. oz
pouches with
offset fitments.



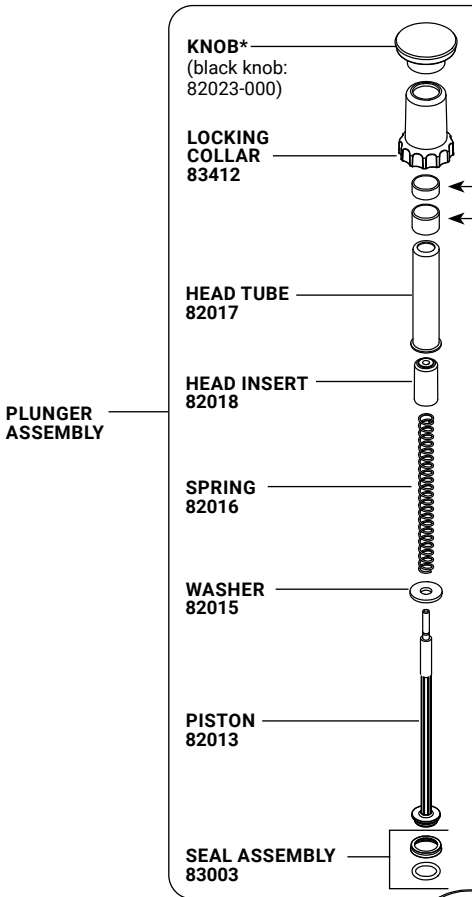
Thank You

for purchasing our Stainless Steel Pump.
This quality NSF listed pump delivers precise portions
and lasts for years of service.

CONSISTENT PORTIONS—SERVE BETTER

*Your pump may vary
depending on specific
model number.*

PUMP PARTS



PORTION CONTROL

PUMP DELIVERS 1 FL OZ PORTIONS

To reduce portion, add **GAGING COLLAR(S)**

83529 SM COLLAR: 1/8 fl oz reduction

82022 LG COLLAR: 1/4 fl oz reduction

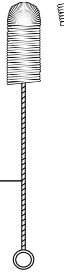
COLLAR(S) USED PORTION RESULT

None	1 fl oz
1 Sm	7/8 fl oz
1 Lg	3/4 fl oz
1 Lg + 1 Sm	5/8 fl oz
2 Lg	1/2 fl oz
2 Lg + 1 Sm	3/8 fl oz
3 Lg	1/4 fl oz
3 Lg + 1 Sm	1/8 fl oz

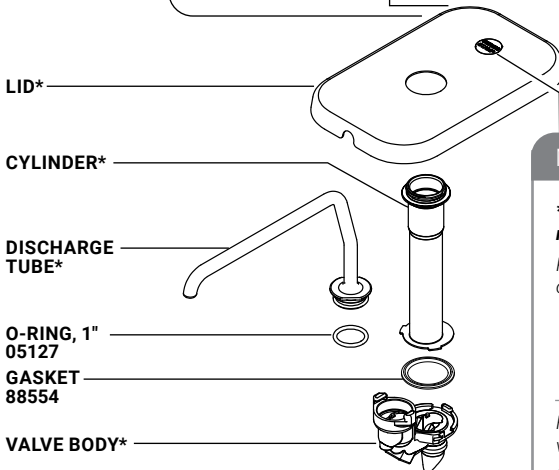
FOOD EQUIPMENT LUBRICANT 40179



BRUSH 82049



BRUSH 82526



MODEL NUMBER

*Parts may vary depending on specific model.

Pump model, P/N (part number) and other identification are stamped on lid:

MODEL
XXXX
P/N
#####

SERIES
##X ##X



For additional details about your pump, visit www.Server-Products.com

Enter your P/N into the search bar.





According to food and safety regulations, most foods must be stored and/or served at certain temperatures or they could become hazardous. Check with local food and safety regulators for specific guidelines.

Be aware of the product you are serving and the temperature the product is required to maintain. Server Products, Inc. cannot be responsible for the serving of potentially hazardous product.

IMPORTANT

Clean, rinse, sanitize, and dry parts daily or regularly to comply with local sanitization requirements.



NSF International lists this pump as "Not acceptable for dispensing potentially hazardous foods."

PUMP CLEANING



1 FLUSH & RINSE

all pump surfaces with hot water.
Place lower end of pump into container of hot water and operate pump until all remaining product is expelled and only hot water is discharged.

YES!

Use dishwashing soap, hot water and nylon brush.

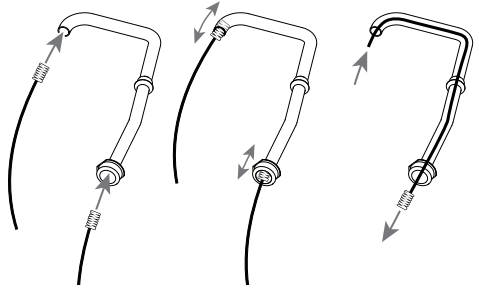
Pump is dishwasher safe.

2 DISASSEMBLE & CLEAN

all washable parts with soap and hot water.
(See DISASSEMBLY on page 9.)

USE SUPPLIED BRUSH

to thoroughly clean inside discharge tube and any confined areas.



3 RINSE

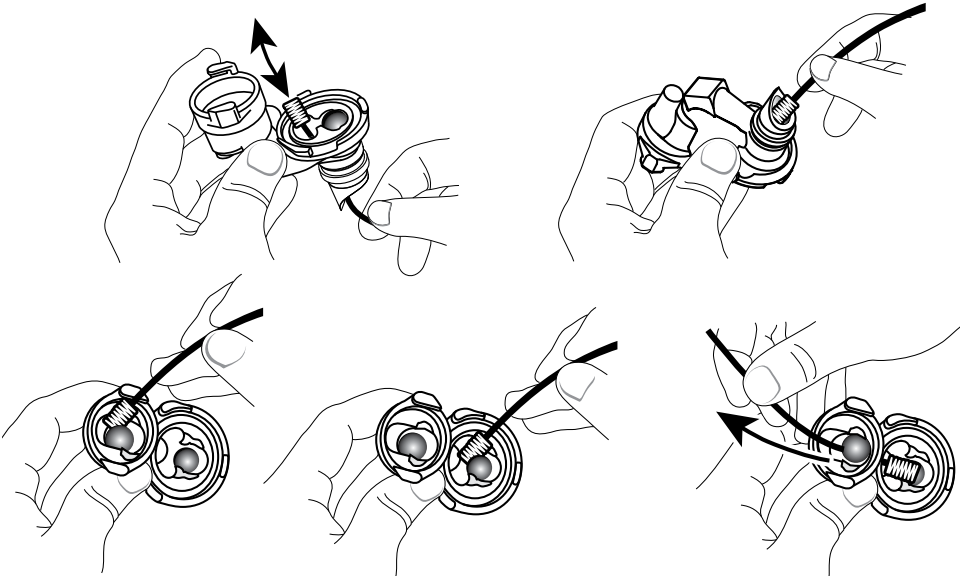
fully with clean water.

4 SANITIZE

all parts according to local sanitization requirements. All parts in contact with food must be sanitized.

5 AIR DRY

all parts fully.



CLEAN-IN-PLACE PROCEDURE FOR PUMPS

1 CLEAN

- Pump out all (if any) remaining food product from inside pump body.
- Wash and rinse off outside of pump body.
- Flush out and rinse inside of pump.
- Place lower end of pump into container full of water and operate pump until all (if any) remaining product is expelled and only warm water flows from discharge tube.
- Mix 1 tsp (5 mL) of dishwashing detergent with 1 quart (.95 L) of hot tap water (approximately 110°F /43°C).
- Place lower end of pump into cleaning mixture. Pump until all cleaning mixture is expelled.

2 RINSE

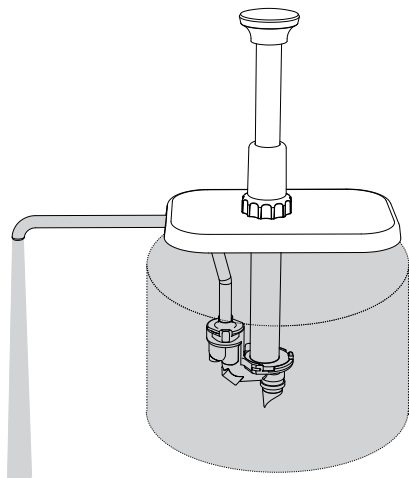
- Place lower end of pump into 2 cups (.5 L) of hot tap water (approximately 110°F /43°C) and pump until all tap water is expelled.

3 SANITIZE

- Mix one 1 oz (30 mL) packet of KAY-5 Sanitizer/Cleaner (EPA REG No. 5389-15) with 2.5 gallons (9.5 L) of tap water (approximately room temperature).
- Place lower end of pump into this sanitizing mixture and repeatedly operate pump until 1 quart (.95 L) sanitizing mixture is pumped through pump.

4 RINSE

- Place lower end of pump into 1 cup (.24 L) of hot tap water (approximately 110°F /43°C) and pump until all tap water is expelled.



CARE OF STAINLESS STEEL

This durable pump includes stainless steel components.

If you notice corrosion beginning on any stainless steel surface, you may need to change the cleansing agent, sanitizing agent, or the cleaning procedures you are using.

- A mildly abrasive nylon or brass brush may be used to remove any stubborn deposits.

- Fully rinsing and drying all parts can help prevent corrosion. Elements and minerals in tap water can accumulate on stainless steel parts and create corrosion.
- Do not use abrasive, caustic or ammonia based cleansers.
- Do not use products containing acids, alkalines, chlorine, or salt. These agents can corrode stainless steel.
- Do not use metal scrapers or cleaning pads that could scratch surfaces.

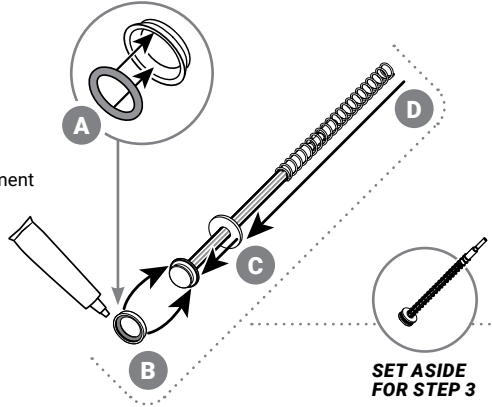
ASSEMBLY



WASH ALL PARTS PROPERLY BEFORE EVERY USE. See page 4.

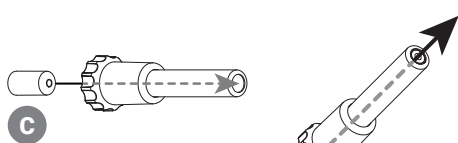
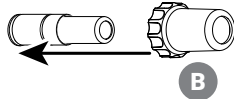
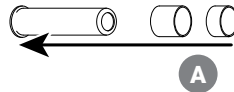
1 PREPARE PISTON

- A** INSTALL SMALL O-RING into seal.
- B** INSTALL SEAL onto piston head. Apply food equipment lubricant to outside of seal.
TIP: Flared end of seal should face away from piston head.
- C** SLIDE WASHER onto piston.
- D** SLIDE SPRING onto piston

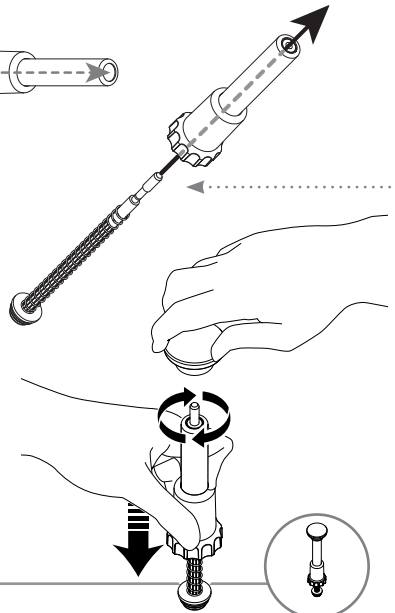


2 PREPARE HEAD TUBE

- A** **OPTIONAL:** ADD GAGING COLLAR(S)
Slide collar(s) onto head tube to reduce portion size. See page 2 for PORTION CONTROL.
- B** SLIDE LOCKING COLLAR (wide side down) towards flared end of head tube.
- C** SLIDE HEAD INSERT (beveled edge first) into head tube.
TIP: The end with smaller hole should go in first.

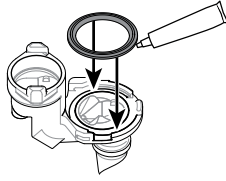


3 INSERT PISTON ASSEMBLY into head tube assembly.



- 4** INSTALL KNOB
Press head tube down to compress spring and expose piston threads. Rotate knob clockwise to secure.

- 5** INSTALL GASKET
into valve body. Apply food equipment
lubricant on gasket.

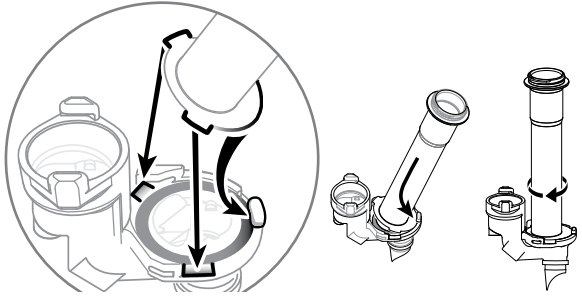


- 6** INSTALL CYLINDER
onto valve body.

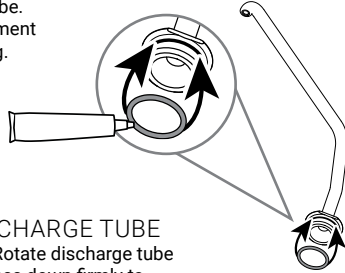
TILT wide edge of cylinder
under nub on rim of valve body.

FIT TABS on cylinder into
corresponding notches in
valve body.

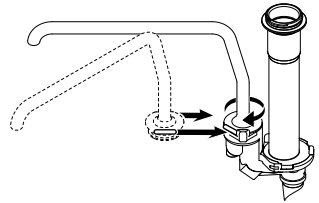
PRESS DOWN firmly and
ROTATE cylinder clockwise
to secure into slots.



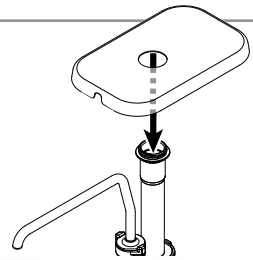
- 7** INSTALL O-RING
onto discharge tube.
Apply food equipment
lubricant on o-ring.



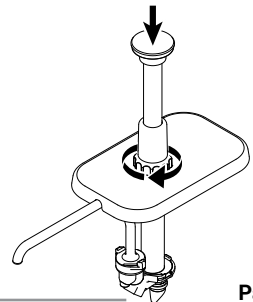
- 8** INSTALL DISCHARGE TUBE
onto valve body. Rotate discharge tube
clockwise and press down firmly to
secure into slots on valve body.



- 9** INSTALL LID
Slide lid hole over
threads on cylinder.
Align discharge tube with
indentation on lid edge.



- 10** INSTALL PLUNGER ASSEMBLY
into cylinder.
Rotate locking collar clockwise
onto cylinder threads to secure.

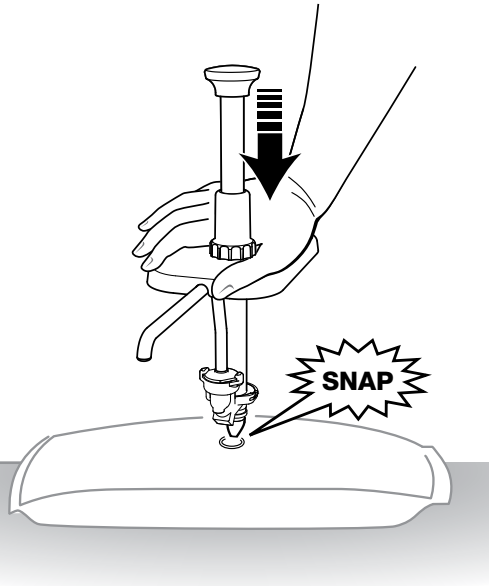


ATTACH POUCH TO PUMP

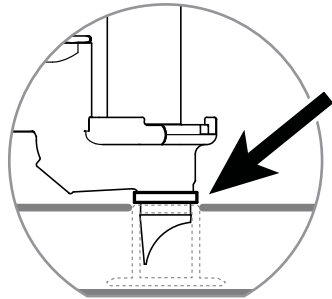
1 PLACE POUCH ON COUNTERTOP with pouch fitment circle facing upward.

2 POSITION PUMP CONNECTOR directly over center of pouch fitment.

3 PRESS PUMP CONNECTOR DOWN to pierce through film in pouch fitment.



Pump is fully engaged when top surface of pouch fitment touches pump connector rim.



DISASSEMBLY

If pump has been in use, first rinse and flush pump. See PUMP CLEANING on page 4.

During disassembly, collect small parts in a container to prevent loss.

- 1 REMOVE PLUNGER & LID**
Turn locking collar counterclockwise to loosen and remove.

- 2 REMOVE CYLINDER & DISCHARGE TUBE**
Twist each counterclockwise to release from slots in valve body.

- 3 REMOVE GASKET & O-RING**
from the valve body and bottom of discharge tube.
Do not use a sharp tool.

- 4 DISASSEMBLE PLUNGER:**

REMOVE KNOB
Prevent knob from springing off:
Press head tube towards piston base while twisting knob off.

REMOVE LOCKING COLLAR

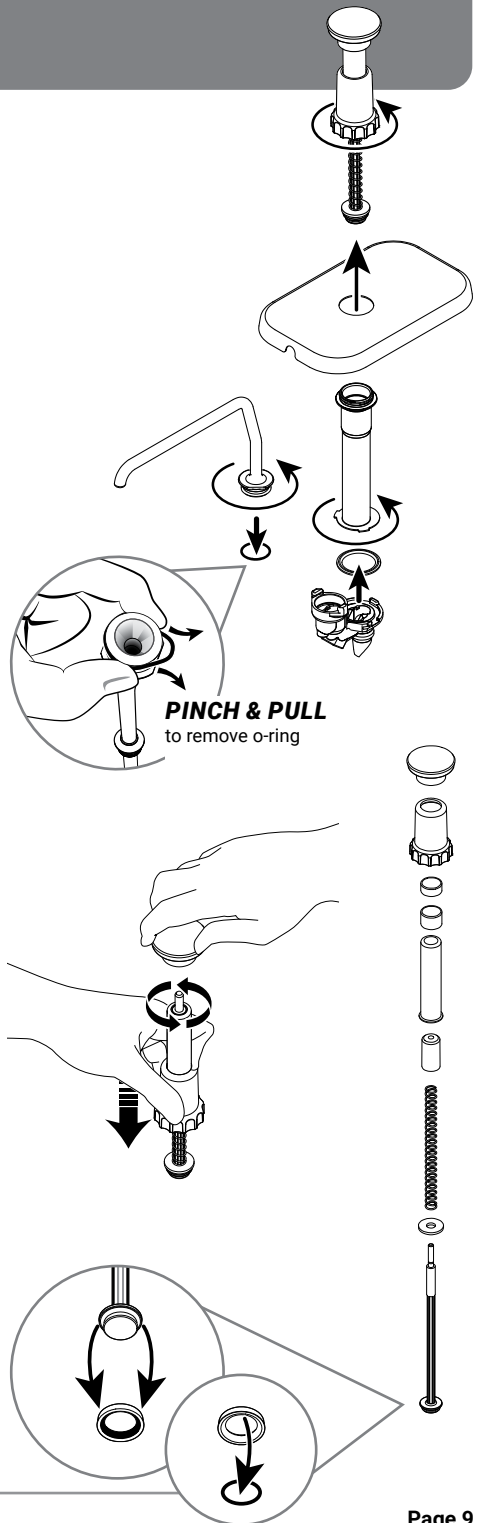
REMOVE GAGING COLLAR(S)
(if used).

REMOVE HEAD INSERT
from inside head tube.

REMOVE SPRING & WASHER
from piston.

REMOVE SEAL ASSEMBLY
from piston.
Pry off.
Do not use a sharp tool.

REMOVE O-RING
from inside seal.



EQUIPMENT PAIRINGS



SLIMLINE™ DRY FOOD DISPENSERS

display and dispense preset portions of up to (4) candies, toppings, or mix-ins in less than 13" of wall space. Control costs with precise portion control; color-coded trays identify serving size. Stands are available for countertop dispensing.

MINI STATION COMBOS

provide up to (4) hours of cold food holding for a convenient serving area of multiple toppings or inclusions in a small footprint. Versions are available for (2–4) flavors.



WIRESWIS™ ORGANIZERS

Save countertop space with tiered racking for bottles and jugs. WireWise™ tiered organizers provide great space savings for several commercial sized food containers. Their attractive, wire-frame design is lightweight yet durable and includes (4) non-skid feet.

TROUBLESHOOTING

PROBLEMS WITH FLOW OR PORTIONS?

- **Clean pump.**
- **Food product** may be too thick or contain a solid that will not pass through pump.
- If used: Ensure **gaging collar(s)** are undamaged and properly installed on head tube.

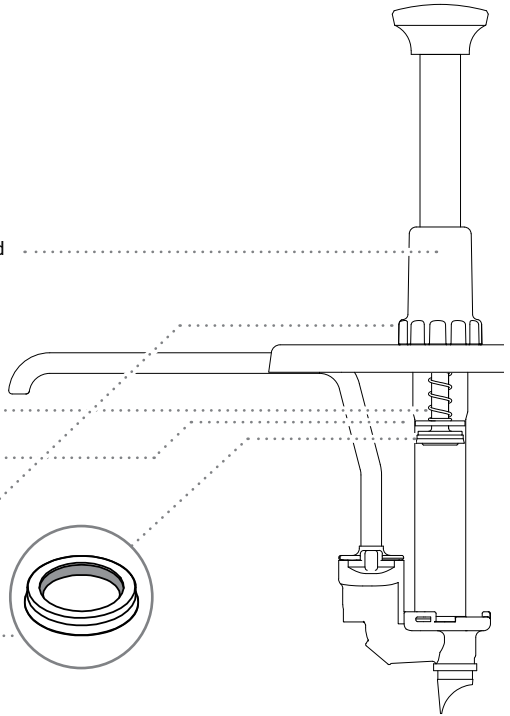
PLUNGER DOESN'T RETURN TO TOP AFTER DISPENSING?

- Ensure that the **spring** is functional. Replace broken spring if necessary.
- Ensure that the **washer** is installed between the spring and piston head.

FOOD PRODUCT OZZES OUT AROUND LOCKING COLLAR?

- Ensure **seal** is properly installed on piston.

TIP: Seal has a slight taper. Install with flat side towards top, flared side down.



PUMP DRIPS?

- **Clean discharge tube** with supplied brush.
- Inspect all **o-rings**. Replace if damaged.
- **Food product** may be too thin. Visit www.Server-Products.com for more tips.

SERVER PRODUCTS LIMITED WARRANTY

2 YEAR WARRANTY

This Server product is backed by a two-year limited warranty against defects in materials and workmanship. See [Server-Products.com](https://www.server-products.com) for details.

GENERAL SERVICE, REPAIR OR RETURNS

Before sending any item to Server Products for service, repair, or return, contact Server Products customer service to request a **Return Authorization Number**. Merchandise must be sent to Server Products with this number. Service is extremely prompt. Typically, units are repaired and ship out within 48 hours of receipt.

Merchandise being returned for credit must be in new and unused condition and not more than 90 days old and will be subject to a 20% restocking charge.

NEED HELP?

Server Products Inc.

3601 Pleasant Hill Road
Richfield, WI 53076 USA

Chat with us!

spsales@server-products.com

262.628.5600 | 800.558.8722

Please be prepared with your **Model, P/N** and **Series** located on the lid or base of the unit.

Example:

MODEL XXXX P/N #####		SERIES ##X ##X
-------------------------------	---	-------------------

SERVER
INTELLIGENT BY DESIGN