

SAVE THIS MANUAL FOR  
FUTURE REFERENCE

## owner's manual

**6 GALLON**  
MODEL NO.  
**113.177415**

OR

**9 GALLON**  
MODEL NO.  
**113.177420**

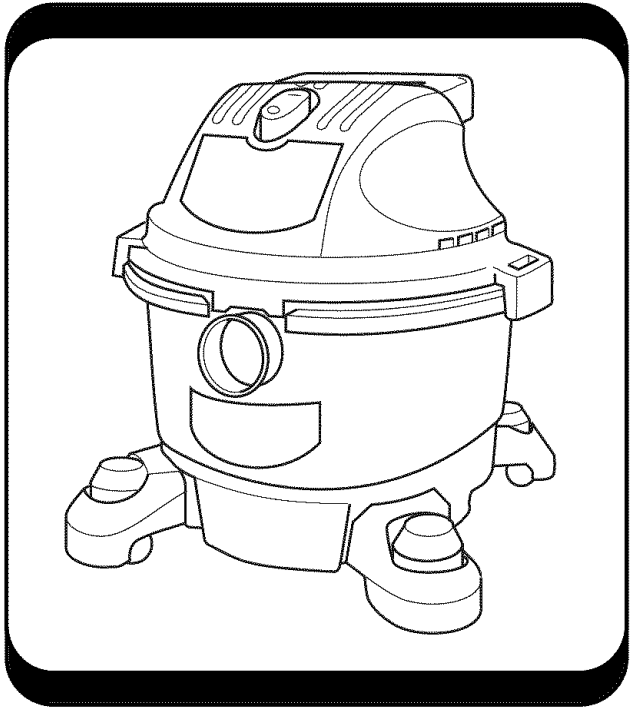
Serial  
Number \_\_\_\_\_

Model and serial num-  
bers may be found on  
the handle.

You should record  
both model and serial  
numbers in a safe  
place for future use.

## FOR YOUR SAFETY

READ ALL  
INSTRUCTIONS  
CAREFULLY



# CRAFTSMAN®

## 6 GALLON

OR

## 9 GALLON

## WET/DRY VAC

- assembly
- operating
- repair parts
- Español - página 17

Sears, Roebuck and Co., Hoffman Estates, IL 60179 U.S.A.

## FULL ONE YEAR WARRANTY ON CRAFTSMAN WET/DRY VACS

If this Craftsman Wet/Dry Vac fails due to a defect in material or workmanship within one year from the date of purchase, return it to your nearest Sears Store, and it will be replaced or repaired, at Sears option, free of charge.

If this Craftsman Wet/Dry Vac is used for commercial or rental purposes, this warranty applies for only 90 days from the date of purchase.

This warranty applies only while this product is used in the United States.

This warranty gives you specific legal rights, and you may also have other rights which vary from state to state.

Sears, Roebuck and Co., D817 WA, Hoffman Estates, IL. 60179

**WARNING:** The power cord on this product contains lead, a chemical known in the State of California to cause birth defects or other reproductive harm. *Wash hands after handling.*

## IMPORTANT SAFETY INSTRUCTIONS

Safety is a combination of common sense, staying alert and knowing how your vac works. Read this manual to understand the vac.

### Safety Signal Words

**DANGER:** means if the safety information is not followed someone **will** be seriously injured or killed.

**WARNING:** means if the safety information is not followed someone **could** be seriously injured or killed.

**CAUTION:** means if the safety information is not followed someone may be injured.

When using your Wet/Dry Vac, follow basic safety precautions including the following.

### **WARNING** - To reduce the risk of fire, electric shock, or injury:

Read and understand this owner's manual and all labels on the Wet/Dry Vac before operating. Use only as described in this manual. To reduce the risk of personal injury or damage to Wet/Dry Vac, use only Craftsman recommended accessories.

Sparks inside the motor can ignite flammable vapors or dust. To reduce the risk of fire or explosion:

- Do not vacuum, or use this Wet/Dry Vac, near flammable or combustible liquids, gases, or explosive dusts, such as gasoline or other fuels, lighter fluid, cleaners, oil-based paints, natural gas, hydrogen, coal dust, magnesium dust, grain dust, or gun powder.
- Do not use Wet/Dry Vac as a sprayer.
- Do not vacuum anything that is burning or smoking, such as cigarettes, matches, or hot ashes.
- Do not vacuum drywall dust or cold fireplace soot or ash with a standard wet/dry filter. This is a very fine dust which will not be captured by the filter and may cause damage.
- To reduce the risk of health hazards from vapors or dusts, do not vacuum toxic materials.
- Do not use or store near hazardous materials.
- To reduce the risk of electric shock, do not expose to rain. Store indoors.

- Do not allow Wet/Dry Vac to be used as a toy. Close attention is necessary when used by or near children.
- Do not use this Wet/Dry Vac with a torn filter or without the filter installed except when vacuuming liquids as described in the operation section of this manual.
- Do not leave Wet/Dry Vac when plugged in. Unplug from outlet when not in use and before servicing. Turn off Wet/Dry Vac before unplugging.
- Do not run Wet/Dry Vac unattended.
- To reduce the risk of injury from accidental starting, unplug power cord before changing or cleaning filter.
- Do not unplug by pulling on cord. To unplug, grasp the plug, not the cord.
- Do not use with damaged cord, plug or other parts. If your Wet/Dry Vac is not working as it should, has missing parts, has been dropped, damaged, left outdoors, or dropped into water, return it to a Sears Service Center.
- Do not pull or carry by cord, use cord as handle, close a door on cord, or pull cord around sharp edges or corners. Do not run Wet/Dry Vac over cord. Keep cord away from heated surfaces.
- Do not handle plug or the Wet/Dry Vac with wet hands.
- Do not put any object into ventilation openings. Do not vacuum with any ventilation openings blocked; keep free of dust, lint, hair or anything that may reduce air flow.
- Keep hair, loose clothing, fingers, and all parts of body away from openings and moving parts.
- To reduce the risk of falls, use extra care when cleaning on stairs.

When using as blower:

- Direct air discharge only at work area.
- Do not direct air at bystanders.
- Keep children away when blowing.
- Do not use blower for any job except blowing dirt and debris.
- Do not use Wet/Dry Vac as a sprayer.

This Wet/Dry Vac is double-insulated, eliminating the need for a separate grounding system. Use only identical replacement parts. Read the instructions for Servicing Double-Insulated Wet/Dry Vacs before servicing.

Observe the following warnings that appear on the motor housing of your Wet/ Dry Vac.



DOUBLE INSULATED —  
GROUND NOT REQUIRED.  
WHEN SERVICING USE ONLY  
IDENTICAL REPLACEMENT PARTS.

**WARNING:** To reduce the risk of electric shock - do not expose to rain - store indoors.

**WARNING:** For your own safety, read and understand owner's manual. Do not use unattended. Do not pick up hot ashes, coals, toxic, flammable or other hazardous materials. Do not use around explosive liquids or vapors.

# SAVE THESE INSTRUCTIONS

The operation of any utility vac or blower can result in foreign objects being blown into the eyes, which can result in severe eye damage. Always wear safety goggles complying with ANSI Z87.1 (or in Canada CSA Z94.3) before starting operation. Everyday eyeglasses have only impact resistant lenses. They are not safety glasses. Safety Goggles are available at Sears retail stores. Glasses or goggles not in compliance with ANSI or CSA could seriously hurt you when they break.



To reduce the risk of hearing damage, wear ear protectors when using the vac for extended hours or when using it in a noisy area.

For dusty operations, wear dust mask.

Use only extension cords that are rated for outdoor use. Extension cords in poor condition or that are too small in wire size can pose fire and shock hazards. When using an extension cord, be sure it is in good condition. Using any extension cord will cause some loss of power. To keep the loss to a minimum, use the following table to choose the minimum wire size extension cord.

Extension Cord Length	Gauge A.W.G.
0-50 Ft.	14
50-100 Ft.	12

## Introduction

This Wet/Dry Vac is intended for household use only.

### IMPORTANT NOTE Please Read Carefully

**Static Shocks Are Common** - In dry areas or when the relative humidity of the air is low. To reduce the frequency of static shocks in your home the best remedy is to add moisture to the air with a humidifier.

### Owner's Manual Contents

Item	Page
Warranty Information	2
Safety Instructions	2
Introduction	4
Unpacking and Checking	
Carton Contents	5
Getting to Know Your Vac	5
Assembly	6
Operation	9
Maintenance	11
Repair Parts	14

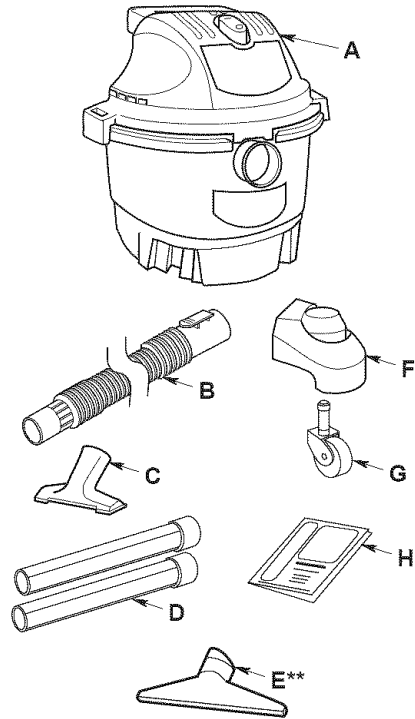
# Unpacking and Checking Carton Contents

Remove entire contents of carton. Check each item against the Carton Contents List. Notify your Sears Store immediately if any parts are damaged or missing.

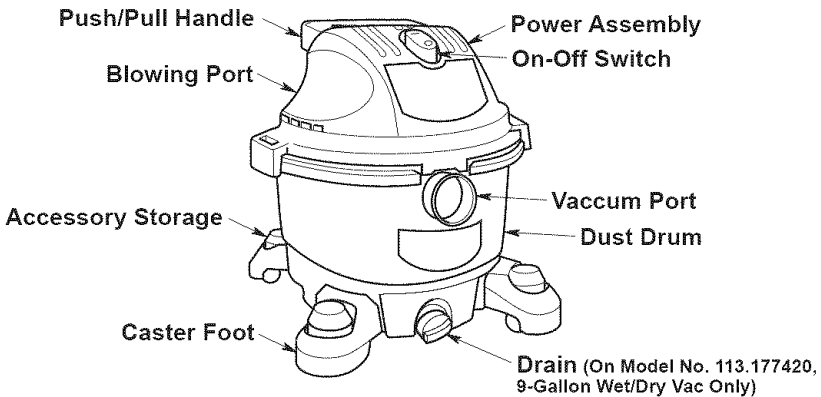
## Carton Contents List

Key	Description	Qty.
A	Vac Assembly	1
B	Pos-I-Lock Hose Assembly	1
C	Utility Nozzle	1
D	Extension Wands	2
E**	Wet Nozzle	1
F	Caster Foot W/Storage	4
G	Caster	4
H	Owners Manual	1

**\*\* IMPORTANT:** Wet Nozzle Included with Model Number 113.177420, 9-Gallon Wet/Dry Vac Only.



# Getting to Know Your Vac



# Replacement Filter Assembly

**WARNING:** For your own safety, never connect plug to power source outlet until all assembly steps are complete and you have read and understood the safety and operation instructions. Do not operate vac with any parts damaged or missing.

**WARNING:** To avoid personal injury or damage to vac be sure to keep hands, fingers, or any other foreign objects out of the center opening when assembling the float.

1. Carefully slide the filter over the filter cage, sliding it over the center ring covering the 3 slots until the filter stops against the lid.
2. Place the hole in the filter plate over threaded stud of the filter cage.
3. Gently push on the filter plate to seat the rubber ring of the filter inside the circular channel of the filter plate.
4. Place filter nut onto threaded stud and tighten it down. Finger tighten only.

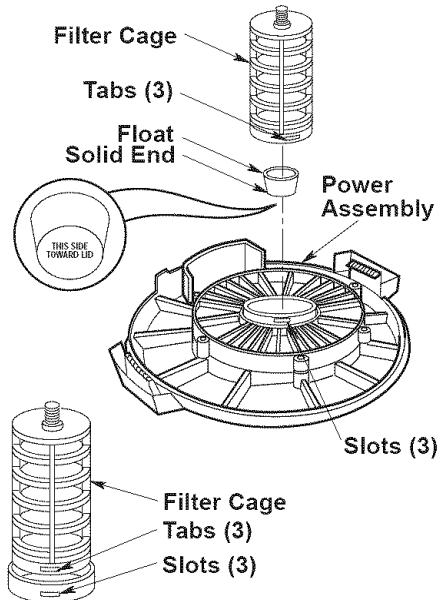
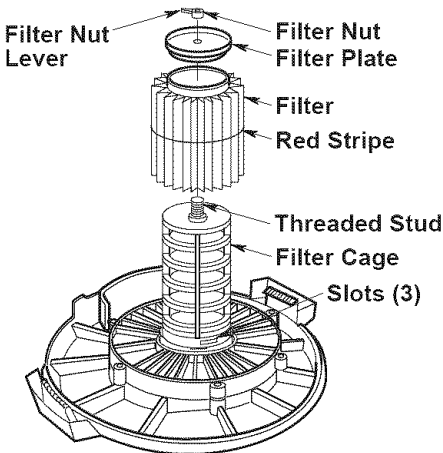
**NOTE:** Lever of filter nut should be away from plate as shown.

**IMPORTANT:** Do not overtighten as this may deform or crack the filter plate, filter cage, or filter.

**NOTE:** Your filter has a red stripe that matches an in-store displayer. When you visit your local Sears store, just remember the color of your stripe for the correct size filter.

**NOTE:** If filter cage needs to be removed, or replaced, use a flat blade screwdriver and insert the blade near one of the tabs between the filter cage and the center ring of the lid. Pry the tab out of the slot. Tilt the cage and lift away from the lid. Replace in the following manner:

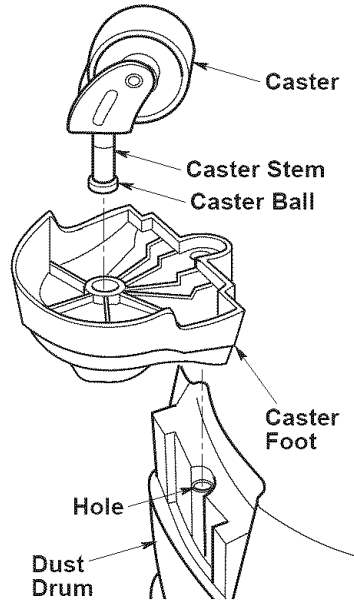
1. Place the float over the opening in the center of the lid with the words "This Side Towards Lid" laying face down over the hole.
2. Line up filter cage tabs with slots in the center ring of the lid.
3. Push on the filter cage until the tabs snap into slots for a secure fit.



## Caster/Caster Foot Assembly

---

1. Remove the power assembly from the dust drum and set aside.
2. Turn the dust drum upside down on the floor.
3. Insert the caster feet into the bottom of drum, as shown (4 places).
4. Push on the caster foot until the foot is flush with bottom of the dust drum.
5. Insert the caster stem into the socket of the caster foot, as shown (4 places).
6. Push on the caster until the ball on the caster stem is inserted all the way into the socket. You will hear the ball snap into the socket and the caster will swivel easily when positioning is correct.
7. Turn the drum upright.

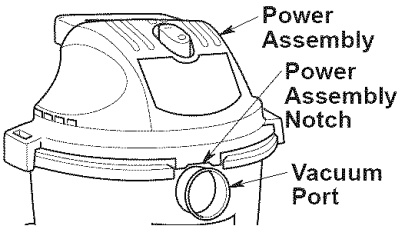


# Vac Assembly

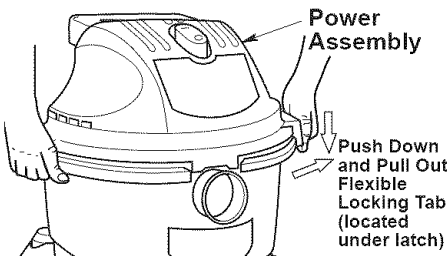
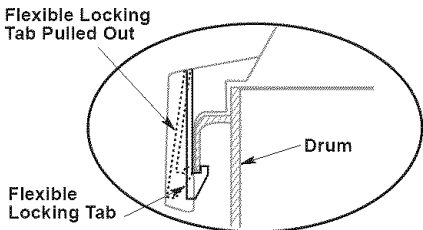
1. Line up front (label and switch side) of power assembly with vacuum port located on the front of the drum.

**Note:** Power assembly must be aligned with drum for proper attachment.

2. Place power assembly on top of drum.  
3. Be sure power assembly completely covers the top of the drum so leakage does not occur. Notch on power assembly must fit into slot on drum.

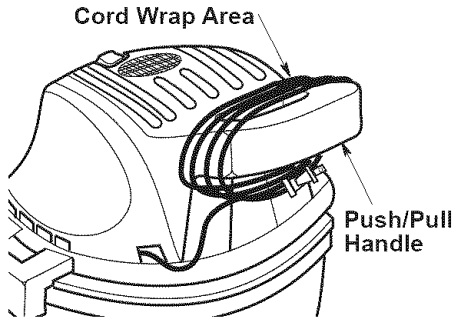


4. Push down on top of handles to cause flexible locking tabs to hook onto the drum lip.  
5. Make sure that the locking tabs are snapped into place to prevent the lid from coming off (see detail below).  
6. To remove the power assembly, reverse above directions.



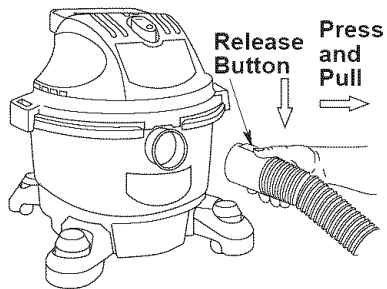
## Cord Wrap

The wet/dry vac has a convenient cord wrap area designed on the rear of the vac. Simply, wrap the power cord around the push/pull handle, then snap the connector on the plug to a wrap of the cord. The cord is now wrapped for storage.



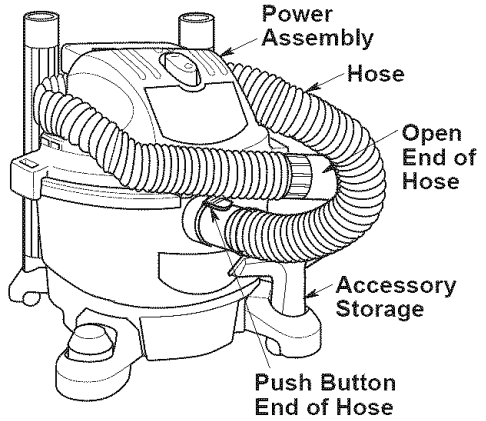
## Insert Hose

Insert the hose locking end of the "Pos-I-Lock" hose into the inlet of the vac. The hose should snap into place. To remove the hose from the vac, press the release button in the hose assembly and pull the hose out of the vac inlet, as shown.



# Accessory Storage

Your accessories may be stored in the storage locations on the caster feet. The hose may be stored by wrapping it around the unit as shown.



# Operation

## WARNING

To reduce the risk of fire or explosion, do not operate this vac in areas with flammable gases, vapors or explosive dust in the air. Flammable gases or vapors include but are not limited to; lighter fluid, solvent type cleaners, oil-base paints, gasoline, alcohol or aerosol sprays. Explosive dusts include but are not limited to; coal, magnesium, grain or gun powder. Do not vacuum explosive dust, flammable or combustible liquids or hot ashes. Do not use this vac as a sprayer. To reduce the risk of health hazards from vapors or dusts, do not vacuum toxic materials.

**WARNING:** Always wear safety goggles complying with ANSI Z87.1 (or in Canada, CSA Z94.3) before starting operation. Safety Goggles are available at many local retail stores. The operation of any utility vac can result in foreign objects being blown into the eyes, which can result in severe eye damage.

**CAUTION:** To reduce risk of hearing damage, wear ear protectors when using the vac for extended hours or when using it in a noisy area.

To reduce the risk of electric shock, this appliance has a polarized plug (one blade is wider than the other). This plug will fit in a polarized outlet only one way. If the plug does not fit fully in the outlet, reverse the plug. If it still does not fit, contact a qualified electrician to install the proper outlet. Do not change the plug in any way.

After you plug the power cord into the outlet, turn the unit on by pushing the switch from position "O" to position "I". The symbols used on the switch actuator are international "On & Off" symbols. "O" is the symbol for "OFF" and "I" is the symbol for "ON".

○ = OFF | = ON

# Operation (continued)

## Vacuumping Dry Materials

1. The filter must always be in correct position to reduce the risk of leaks and possible damage to vac.
2. When using your vac to pick up very fine dust, it will be necessary for you to empty the drum and clean the filter at more frequent intervals to maintain peak vac performance.

**NOTE:** A dry filter is necessary to pick up dry material. If you use your vac to pick up dust when the filter is wet, the filter will clog quickly and be very difficult to clean.

3. If your filter is wet but you need to use the vac to pick up dry material, you can quickly dry the filter by running the vac without hose attached for about 10 minutes. The clean air rushing through the vac will help dry the filter.

The optional Craftsman HEPA Rated Material Filter, stock number 9-17912 will do a better job stopping very fine particles than the 9-17816 filter.

## Vacuumping Liquids

1. When picking up small amounts of liquid the filter may be left in place.
2. When picking up large amounts of liquid we recommend that the filter be removed. If the filter is not removed, it will become saturated and misting may appear in the exhaust.

**CAUTION:** Do not remove the filter cage or float. It is there to shut off air-flow when the drum is full of liquids.

3. After using the vac to pick up liquids, the filter must be dried to reduce the risk of possible mildew and damage to the filter.
4. When the liquid in the drum reaches a predetermined level, the float mechanism will rise automatically to cut off air-flow. When this happens, turn off the vac, unplug the power cord, and empty the drum. You will know that the float has risen because vac airflow

ceases and the motor noise will become higher in pitch, due to increased motor speed.

**IMPORTANT:** To reduce the risk of damage to the vac do not run motor with float in raised position.

## Emptying the Drum

**WARNING:** To reduce the risk of injury from accidental starting, unplug power cord before emptying the drum.

1. Remove the power assembly. Push down and pull out the flexible locking tabs to release from drum.
2. While holding the locking tabs out, lift the power assembly up and away from the drum.
3. Lay power assembly upside down on a clean area while emptying drum.
4. Dump the drum contents into the proper waste disposal container.
5. The 113.177420, 9-Gallon Wet/Dry Vac comes equipped with a drain for easy emptying of liquids. Simply unscrew the drain cap and lift the opposite side slightly to empty the drum.

**WARNING:** To reduce the risk of back injury or falls, do not lift a vac heavy with liquid or debris. Scoop or drain enough contents out to make the vac light enough to lift comfortably.

## Moving the Vac

Should it become necessary to pick the vac up to move it, the flange on the dust drum is used to lift. To maneuver the vac, the push/pull handle in the rear of the unit should be used.

## Blowing Feature

Your vac features a blowing port. It can blow sawdust and other debris. Follow the steps below to use your vac as a blower.

**WARNING:** Always wear safety goggles complying with ANSI Z87.1 (or in Canada, CSA Z94.3) before using as a blower.

**WARNING:** To reduce the risk of injury to bystanders, keep them clear of blowing debris.

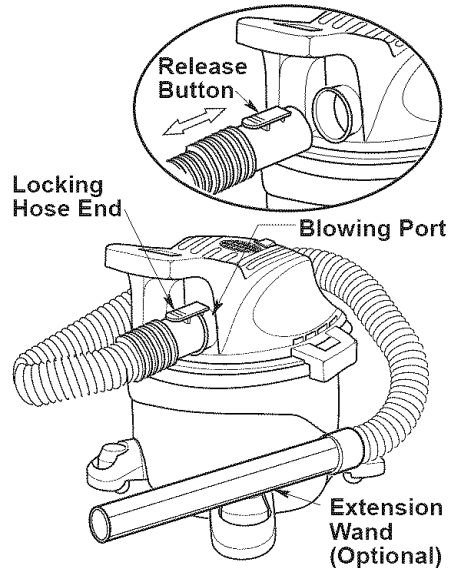
**CAUTION:** To reduce the risk of hearing damage, wear ear protectors when using the vac/blower for extended hours or when using it in a noisy area.

**WARNING:** Wear a dust mask if blowing creates dust which might be inhaled.

1. Locate blowing port of your vac.
2. Insert the locking end of the “Pos-I-Lock” hose into the blowing port of the vac. The hose should snap into place. To remove the hose from the vac, press the release button in the hose assembly and pull the hose out of the vac inlet.

3. (Optional) Attach extension wand to opposite end of hose.
4. Turn vac on and you are ready to use your vac as a blower.

Craftsman recommended accessories are available at Sears retail stores. The Sears Blower Nozzle Stock No. 9-16933 is recommended for blowing debris.



## Maintenance

### Cleaning Vac Filter

**WARNING:** To reduce the risk of injury from accidental starting, unplug power cord before changing or cleaning filter.

**NOTE:** This filter is made of high quality paper designed to stop very small particles of dust. The filter can be used for wet or dry pick up. Handle the filter carefully when removing to clean or installing it. Creases in the filter pleats may occur from installation but creases will not affect the performance of the filter.

Your filter should be cleaned often to maintain peak vac performance.

Be sure to dry the filter before storing or picking up dry debris.

**IMPORTANT:** After cleaning, check the filter for tears or small holes. Do not use a filter with holes or tears in it. Even a small hole can cause a lot of dust to come out of your vac. Replace it immediately.

### Filter Removal

To remove the filter for cleaning or replacement, unscrew the filter nut from the filter cage, remove filter plate and lift off filter.

**IMPORTANT:** To reduce the risk of damage to the blower wheel and motor, always reinstall the filter before using the vac for dry material pickup.

## Maintenance (continued)

---

**WARNING:** Do not remove the filter cage. It is there to help prevent your fingers from getting into the blower wheel.

### Cleaning A Dry Filter

Some removal of dry debris can be accomplished without removing the filter from the vac. Slap your hand on top of the power assembly while the vac is turned off.

For best cleaning results due to accumulated dust, clean the filter in an open area. Cleaning **SHOULD** be done outdoors and not in the living quarters.

After filter removal from vac, remove the dry debris by gently tapping the filter against the inside wall of your dust drum. The debris will loosen and fall.

For thorough cleaning of dry filter with fine dust (no debris), run water through it as described under "Cleaning A Wet Filter".

### Cleaning A Wet Filter

After filter is removed, run water through the filter from a hose or spigot. Take care that water pressure from the hose is not strong enough to damage filter.

Remember: To dry a filter quickly, reinstall the filter on the vac and allow the unit to run for approximately 10 minutes. The clean air rushing through the filter will dry it.

### Installation

Refer to "Replacement Filter Assembly" Section of this manual.

Allow the filter to dry before storing the vac.

### Cleaning and Disinfecting the Wet/Dry Vac

To keep your Wet/Dry Vac looking its best, clean the outside with a cloth dampened with warm water and mild soap.

To clean the drum:

1. Dump debris out.
2. Wash drum thoroughly with warm water and mild soap.
3. Wipe out with dry cloth.

Before prolonged storage or as needed (i.e., waste water pick up) the drum should be disinfected.

To disinfect the drum:

1. Pour 1 gallon of water and 1 teaspoon chlorine bleach into the drum.
2. Let solution stand for 20 minutes, carefully swishing every few minutes, making sure to wet all inside surfaces of the drum.
3. Empty drum after 20 minutes. Rinse with water until bleach smell is gone. Allow drum to dry completely before sealing the motor on the drum.

### Casters

If your casters are noisy, you may put a drop of oil on the roller shaft to make them quieter.

### Storage

Before storing your vac, the drum should be emptied and cleaned. The cord should be wrapped around the unit and the hose should be stored as described in this manual. Accessories should be kept in the same area as the vac so they can be readily available. The vac should be stored indoors.

**WARNING:** To assure product SAFETY and RELIABILITY, repairs and adjustment should be performed by Sears Service Centers, always using Sears replacement parts.

## Wet Nozzle

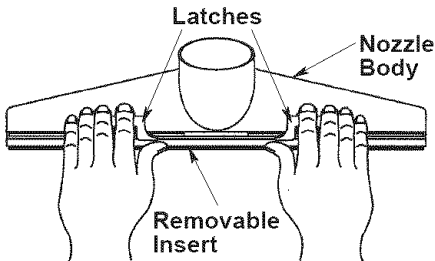
To pick up liquids off a smooth surface, use the 2-1/2 inch wet nozzle accessory supplied with your wet/dry vac. To use this nozzle, simply attach the nozzle to the end of an extension wand.

Connect a second extension wand to the first, and connect the 2-1/2 inch x 7 foot hose to the extension wand.

Liquids may be picked up by dragging the nozzle across the surface. The squeegee will dry the surface as you vacuum.

Replacement rubber for the squeegee nozzle may be obtained through Sears Parts. If the rubber becomes worn, it may be flipped over for use on the opposite side or replaced. (Replacement service part #822256). To reverse or replace the squeegee:

1. Lay the wet nozzle on a flat surface with the round inlet opening facing up and the two latches close to you as shown.

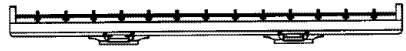


2. Using both hands, position each thumb on the removable insert, (below the latches) and two fingers of each hand on each latch, lift and disengage the two latches from the tabs on the nozzle body.
3. Gently pull the latches toward yourself to remove the insert.

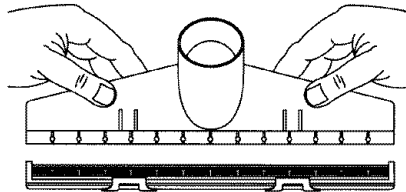
To reinstall the removable insert correctly, follow these steps:

1. Place the removable insert on a flat surface with the pins positioned upward and the latches close to you as shown. Place the rubber squeegee on the insert, with the pins fitting through the

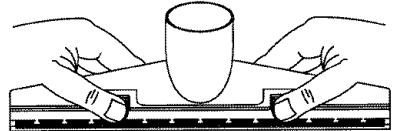
matching holes in the squeegee. (Make sure the new working edge is located farthest from you.)



2. Using both hands, lower the nozzle body onto the insert and squeegee with the round opening of the nozzle closest to you. With fingers on the far side and thumbs holding the latches of the removable insert, flip the nozzle over so the latches are on the top and the round inlet opening is facing away from you. Make sure the squeegee stays on the insert pins.

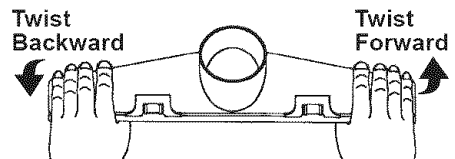


3. Press down with each thumb below the latching tabs until you see and hear the removable insert snap into the nozzle body. Snap the latches over the locking tabs into their original position.



4. Inspect the pins of the insert to make sure they fit through the holes of the squeegee and fit into the matching slots in the nozzle body.

**NOTE:** If the pins are out of position, hold the nozzle assembly with both hands and gently twist in opposite directions. The insert pins should snap into proper position.



The wet nozzle assembly is ready for wet pickup use.

# Repair Parts

**6 Gallon Wet/Dry Vac**  
**Model No. 113.177415**


**OR**

**9 Gallon Wet/Dry Vac**  
**Model No. 113.177420**

**Always order by Part Number - Not by Key Number**

## WARNING

### SERVICING OF DOUBLE-INSULATED WET/DRY VAC

In a double-insulated Wet/Dry Vac, two systems of insulation are provided instead of grounding. No grounding means is provided on a double-insulated appliance, nor should a means for grounding be added. Servicing a double-insulated Wet/Dry Vac requires extreme care and knowledge of the system, and should be done only by qualified service personnel. Replacement parts for a double-insulated Wet/Dry Vac must be identical to the parts they replace. Your double-insulated Wet/Dry Vac is marked with the words "DOUBLE INSULATED" and the symbol  (square within a square) may also be marked on the appliance.

To reduce the risk of injury from electrical shock, unplug power cord before servicing the electrical parts of the Wet/Dry Vac.

Key No.	6 Gallon Part No.	9 Gallon Part No.	Description
1	828952	828952	Actuator, Switch
2	813213	813213	Switch, Toggle
3	829971-19	829971-20	Cover w/Labels
4	509776-14	509776-15	Motor (Includes Key No's. 5, & 9 thru 12)
5	819260-2	819260-2	Lead Assembly
6	829719-10	829719-10	Cord w/Terminals
7	831089	831089-1	Lid
8	820563-4	820563-4	* Screw, Pan Hd. Ty. "AB" 10 x 3/4 Ser.
9	818961	818961	Spacer
10	818413-2	818413-3	Blower Wheel
11	315534-1	315534-1	Washer
12	826817	826817	Nut, Hex Flange 5/16-18
13	820563-5	820563-5	* Screw, Pan Hd. Ty. "AB" 10 x 1-1/4 Ser.
14	831032	831032	Collector
15	509238-1	509238-1	Float with Cage
16	9-17816	9-17816	† Filter (Red Stripe)
17	9-16937	9-16937	† Filter Plate
18	9-16938	9-16938	† Filter Nut
19	831255	829971-21	Drum (Includes Key No. 20, 9-Gallon Only)
20	—	73185	Cap, Drain (9-Gallon Only)
21	825727	825727	Foot, Caster w/Storage
22	29776	29776	Caster
23	9-16922	9-16922	† Utility Nozzle
24	—	9-17817	† Wet Nozzle (9-Gallon Only)
25	—	822256	Squeegee (9-Gallon Only)
26	9-16964	9-16964	† Extension, Wands
27	9-17822	9-17822	† Pos-I-Lock Hose
28	SP6596	SP6596	Owner's Manual

† Stock Item - May Be Secured Through The Hardware Department Of Most Sears Retail Stores

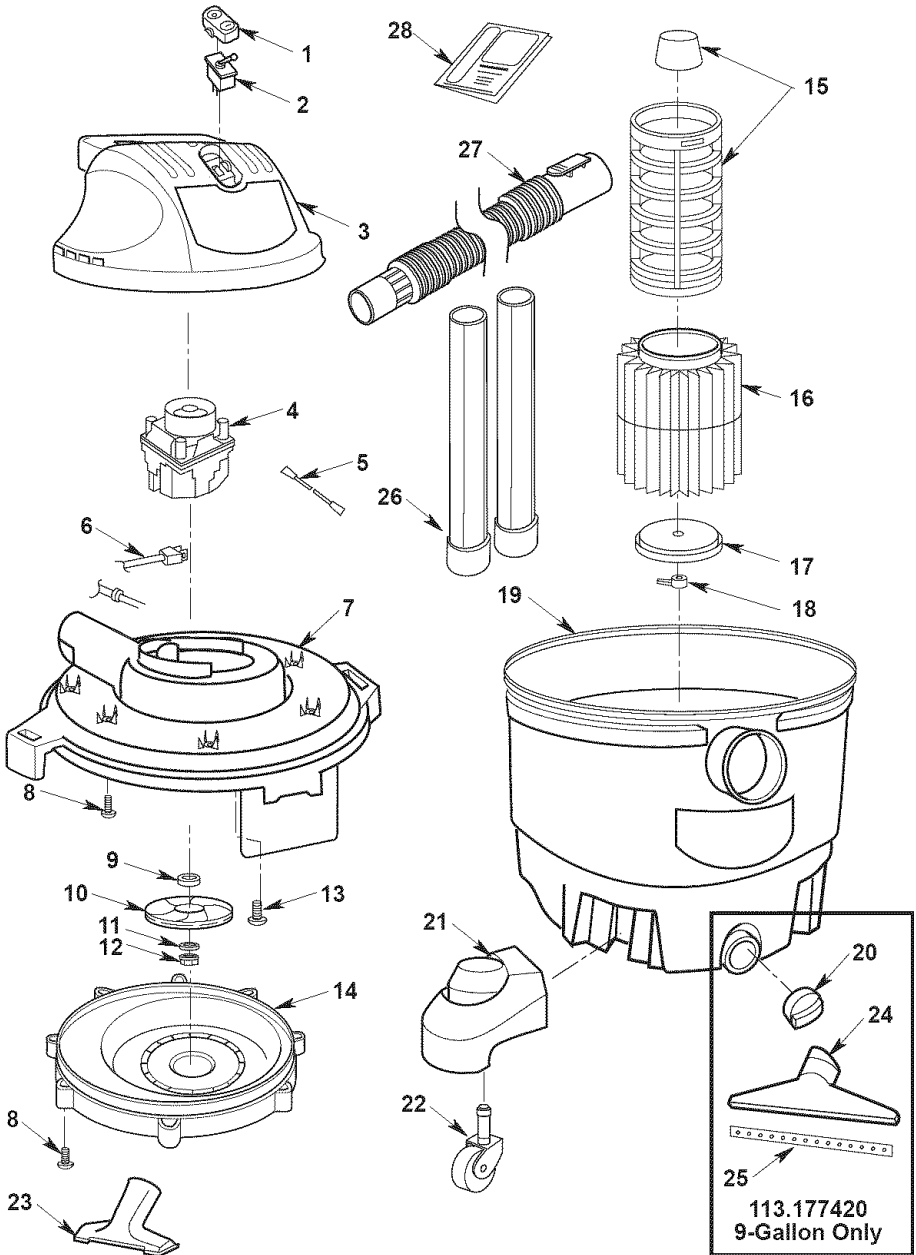
\* Standard Hardware Item - May Be Purchased Locally.

# Repair Parts

6 Gallon Wet/Dry Vac  
Model No. 113.177415

OR

9 Gallon Wet/Dry Vac  
Model No. 113.177420





GUARDE ESTE MANUAL  
PARA REFERENCIA FUTURA

## manual del usuario

**6 GALONES**

NO. DE MODELO  
**113.177415**

ó

**9 GALONES**

NO. DE MODELO  
**113.177420**

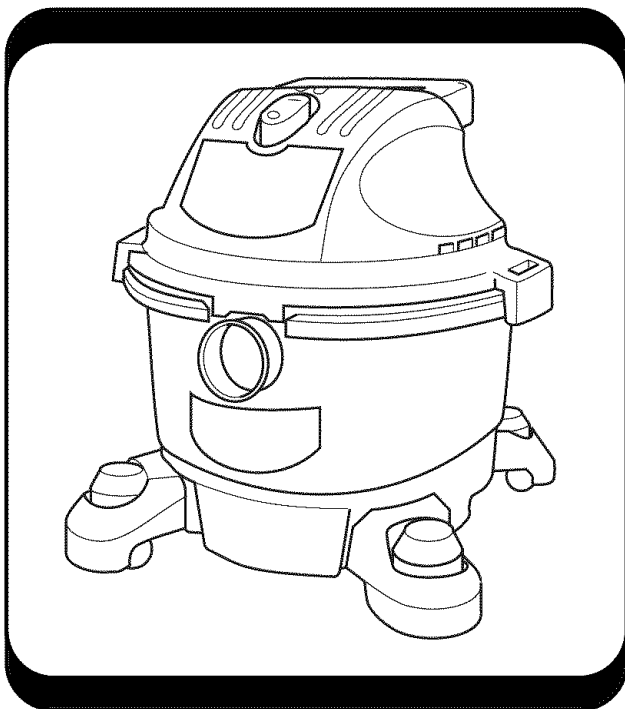
Número  
de serie \_\_\_\_\_

Los números de modelo  
y de serie se pueden  
encontrar en el asa.

Usted debe anotar los  
números tanto de modelo  
como de serie en un lugar  
seguro para uso futuro.

## PARA SU SEGURIDAD

LEA DETENIDAMENTE  
TODAS LAS  
INSTRUCCIONES



# CRAFTSMAN®

## Aspiradora para mojado/seco de 6 galones o de 9 galones

- ensamblaje
- funcionamiento
- piezas de repuesto

Sears, Roebuck and Co., Hoffman Estates, IL 60179 U.S.A.

## GARANTÍA COMPLETA DE UN AÑO PARA ASPIRADORAS PARA MOJADO/SECO CRAFTSMAN

Si esta aspiradora para mojado/seco Craftsman falla debido a un defecto de material o de fabricación dentro del plazo de un año a partir de la fecha de compra, devuélvala a la tienda Sears más cercana y será reemplazada o reparada, a opción de Sears, sin ningún cargo.

Si esta aspiradora para mojado/seco Craftsman se utiliza para fines comerciales o de alquiler, la cobertura de esta garantía se aplica durante solamente 90 días a partir de la fecha de compra.

Esta garantía se aplica solamente mientras este producto se use en los Estados Unidos.

Esta garantía le confiere a usted derechos legales específicos y es posible que usted tenga también otros derechos que varían de un estado a otro.

Sears, Roebuck and Co., D817 WA, Hoffman Estates, IL 60179

## INSTRUCCIONES DE SEGURIDAD IMPORTANTES

La seguridad es una combinación de sentido común, permanecer alerta y saber cómo funciona la aspiradora. Lea este manual para entender la aspiradora.

### Palabras de señal de seguridad

**PELIGRO:** significa que si no se sigue la información de seguridad, alguien **resultará** herido gravemente o morirá.

**ADVERTENCIA:** significa que si no se sigue la información de seguridad, alguien **podría** resultar herido gravemente o morir.

**PRECAUCIÓN:** significa que si no se sigue la información de seguridad, alguien **podría** resultar herido.

Cuando utilice la aspiradora para mojado/ seco, siga las precauciones básicas de seguridad, incluyendo las siguientes.

### **ADVERTENCIA** – Para reducir el riesgo de incendio, sacudidas eléctricas o lesiones:

Lea y entienda este manual del usuario y todas las etiquetas que están colocadas en la aspiradora para mojado/seco antes de utilizarla. Utilice la aspiradora únicamente de la manera que se describe en este manual. Para reducir el riesgo de lesiones personales o daños a la aspiradora para mojado/seco, utilice únicamente accesorios Craftsman recomendados.

Las chispas que se producen en el interior del motor pueden encender los vapores inflamables o el polvo. Para reducir el riesgo de incendios o explosión:

- No recoja con la aspiradora de mojado/seco líquidos o gases inflamables o combustibles, o polvos explosivos como gasolina u otros combustibles, líquido encendedor, disolventes para limpiar, pinturas a base de aceite, gas natural, hidrógeno, polvo de carbón, polvo de magnesio, polvo de granos de cereal o pólvora, ni use la aspiradora cerca de estos materiales.
- No utilice la aspiradora para mojado/seco como un rociador.
- No recoja con la aspiradora nada que esté ardiendo o humeando, como cigarrillos, fósforos o cenizas calientes.
- No recoja con la aspiradora polvo de pared de tipo seco ni hollín frío o ceniza fría de chimenea, con un filtro para mojado/seco estándar. Este tipo de polvo muy fino que no es capturado por el filtro y puede causar daños.
- Para reducir el riesgo de que se produzcan peligros para la salud causados por vapores o polvos, no recoja con la aspiradora materiales tóxicos.
- No use ni almacene la aspiradora cerca de materiales peligrosos.
- Para reducir el riesgo de sacudidas eléctricas, no exponga la aspiradora a la lluvia. Almacénela en interiores.
- No permita que la aspiradora se utilice como juguete. Se necesita prestar máxima atención cuando sea utilizada por niños o cerca de éstos.

- No use esta aspiradora para mojado/seco con un filtro desgarrado o si no tiene el filtro instalado, excepto cuando recoja líquidos de la manera que se describe en la sección de funcionamiento de este manual.
- No abandone la aspiradora para mojado/seco cuando esté enchufada. Desenchúfela del tomacorriente cuando no la esté utilizando y antes de realizar servicio de ajustes y reparaciones. Apague la aspiradora antes de desenchufarla.
- No tenga en marcha la aspiradora para mojado/seco desatendida.
- Para reducir el riesgo de lesiones debidas a un arranque accidental, desenchufe el cordón de energía antes de cambiar o limpiar el filtro.
- No desenchufe la aspiradora tirando del cordón. Para desenchufarla, agarre el enchufe y no el cordón.
- No use la aspiradora para mojado/seco con el cordón dañado, el enchufe dañado u otras piezas. Si la aspiradora para mojado/seco no funciona como debe, le faltan piezas, se ha caído, ha sido dañada, se ha dejado a la intemperie o se ha caído al agua, devuélvala a un Centro de Servicio Sears.
- No tire de la aspiradora usando el cordón ni la lleve por el cordón, ni use el cordón como asa, ni cierre una puerta sobre el cordón, ni tire del cordón alrededor de bordes o esquinas afilados. No pase la aspiradora para mojado/seco en marcha sobre el cordón. Mantenga el cordón alejado de las superficies calientes.
- No maneje el enchufe o la aspiradora con las manos mojadas.
- No ponga ningún objeto en las aberturas de ventilación. No recoja nada con la aspiradora cuando cualquiera de las aberturas de ventilación esté bloqueada; manténgalas libres de polvo, pelusa, pelo o cualquier cosa que pueda reducir el flujo de aire.
- Mantenga el pelo, la ropa holgada, los dedos y todas las partes del cuerpo alejados de las aberturas y de las piezas móviles.
- Para reducir el riesgo de caídas, tenga cuidado adicional al limpiar en escaleras.

Cuando utilice la aspiradora como soplador:

- Dirija la descarga de aire solamente hacia el área de trabajo.
- No dirija el aire hacia las personas que estén presentes.
- Mantenga a los niños alejados cuando realice operaciones de soplado.
- No use el soplador para ningún trabajo que no sea soplar suciedad o residuos.
- No use la aspiradora para mojado/seco como rociadora.

Esta aspiradora para mojado/seco tiene aislamiento doble, lo cual elimina la necesidad de un sistema independiente de conexión a tierra. Utilice piezas de repuesto idénticas. Lea las instrucciones de servicio de revisión de las aspiradoras para mojado/seco con aislamiento doble antes de realizar dicho servicio.

Siga las siguientes advertencias que aparecen en la caja del motor de la aspiradora para mojado/seco.



**AISLAMIENTO DOBLE. NO SE REQUIERE CONEXION A TIERRA.**

**CUANDO HAGA SERVICIO DE REVISIÓN DE LA ASPIRADORA, UTILICE ÚNICAMENTE PIEZAS DE REPUESTO IDÉNTICAS.**

**ADVERTENCIA: Para reducir el riesgo de sacudidas eléctricas, no exponga la aspiradora a la lluvia. Almacénela en interiores.**

**ADVERTENCIA: Para su propia seguridad, lea y entienda el manual del usuario. No tenga en marcha la aspiradora desatendida. No recoja cenizas calientes, carbón caliente, materiales tóxicos o inflamables u otros materiales peligrosos. No use la aspiradora alrededor de líquidos o vapores explosivos.**

## GUARDE ESTAS INSTRUCCIONES

La utilización de cualquier aspiradora utilitaria o soplador utilitario puede hacer que se soplen objetos extraños hacia los ojos, lo cual puede causar daños graves en los ojos. Use siempre anteojos de seguridad que cumplan con la norma ANSI Z87.1 (o en Canadá, con la norma CSA Z94.3) antes de comenzar la operación. Las gafas corrientes sólo tienen lentes resistentes a los golpes. No son gafas de seguridad. Se pueden conseguir anteojos de seguridad en todas las tiendas minoristas Sears. Las gafas o los anteojos que no cumplan con la norma ANSI o CSA podrían causarle lesiones graves al romperse.



Para reducir el riesgo de daños a la audición, use protectores de oídos cuando utilice la aspiradora durante muchas horas seguidas o cuando la emplee en un área ruidosa.

Para operaciones que generan polvo, use una máscara antipolvo.

Utilice únicamente cordones de extensión que tengan capacidad nominal para uso a la intemperie. Los cordones de extensión que estén en malas condiciones o cuyo tamaño de alambre sea demasiado pequeño pueden conllevar peligros de incendio y sacudidas eléctricas. Cuando utilice un cordón de extensión, asegúrese de que esté en buenas condiciones. La utilización de cualquier cordón de extensión causará algo de pérdida de potencia. Para mantener la pérdida al mínimo, utilice la tabla que aparece a continuación para seleccionar el cordón de extensión con el tamaño de cable mínimo.

Longitud del cordón de extensión	Calibre del cable A.W.G.
0-50 pies	14
50-100 pies	12

## Introducción

Esta aspiradora para mojado/seco está diseñada solamente para uso doméstico.

### NOTA IMPORTANTE

**Por favor, léala cuidadosamente**

Las sacudidas de electricidad estática son comunes en áreas secas o cuando la humedad relativa del aire es baja. Para reducir la frecuencia con que se producen sacudidas de electricidad estática en su hogar, el mejor remedio es añadir humedad al aire con un humidificador.

### Contenido del manual del usuario

Artículo	Página
Información de garantía . . . . .	18
Instrucciones de seguridad . . . . .	18
Introducción . . . . .	20
Desempaquetado y comprobación del contenido de la caja de cartón . . . . .	21
Familiarización con la aspiradora. . . . .	21
Ensamblaje . . . . .	22
Funcionamiento . . . . .	25
Mantenimiento . . . . .	27
Piezas de repuesto. . . . .	30

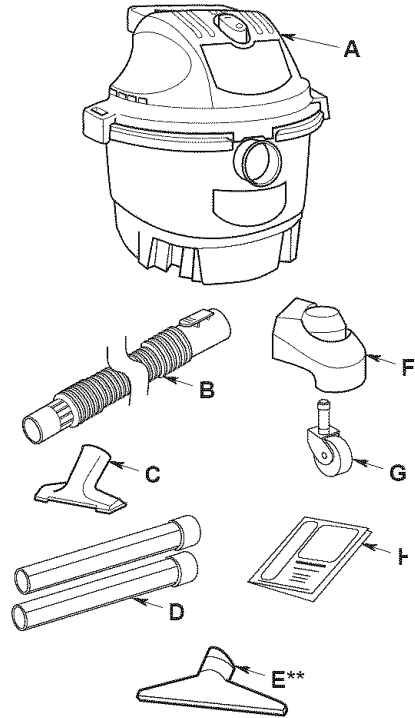
# Desempaquetado y comprobación del contenido de la caja de cartón

Saque todo el contenido de la caja de cartón. Asegúrese de que no falte ningún artículo utilizando la lista del contenido de la caja. Notifique inmediatamente a la tienda Sears más cercana si alguna pieza está dañada o falta.

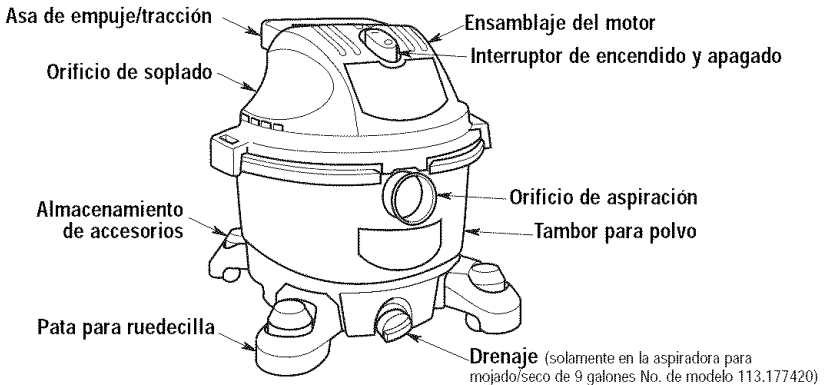
## Lista del contenido de la caja de cartón

Clave	Descripción	Cant.
A	Ensamblaje de la aspiradora	1
B	Ensamblaje de la manguera Pos-I-Lock	1
C	Boquilla utilitaria	1
D	Tubos extensores	2
E**	Boquilla para mojado	1
F	Pie de ruedecilla con área de almacenamiento	4
G	Ruedecilla	4
H	Manual del usuario	1

\*\* **IMPORTANTE:** Boquilla para mojado incluida con la aspiradora para mojado/seco de 9 galones número de modelo 113.177420 solamente.



# Familiarización con la aspiradora



# Ensamblaje del filtro de repuesto

**ADVERTENCIA:** Para su propia seguridad, no conecte nunca el enchufe a un tomacorriente de la fuente de energía hasta que se hayan completado todos los pasos de ensamblaje y usted haya leído y entendido las instrucciones de seguridad y funcionamiento. No utilice la aspiradora si alguna pieza está dañada o falta.

**ADVERTENCIA:** Para evitar lesiones corporales o daños a la aspiradora, asegúrese de mantener las manos, los dedos o cualquier otro objeto extraño fuera de la abertura central cuando ensamble el soplador.

1. Deslice cuidadosamente el filtro sobre la jaula del filtro, deslizándolo sobre el anillo central que cubre las 3 ranuras hasta que el filtro se detenga contra la tapa.
2. Coloque el agujero ubicado en la placa del filtro sobre el espárrago roscado de la jaula del filtro.
3. Empuje suavemente sobre la placa del filtro para asentar el anillo de goma del filtro dentro del canal circular de la placa del filtro.
4. Coloque la tuerca del filtro en el espárrago roscado y apriétela hacia abajo. Apriétela solamente con los dedos.

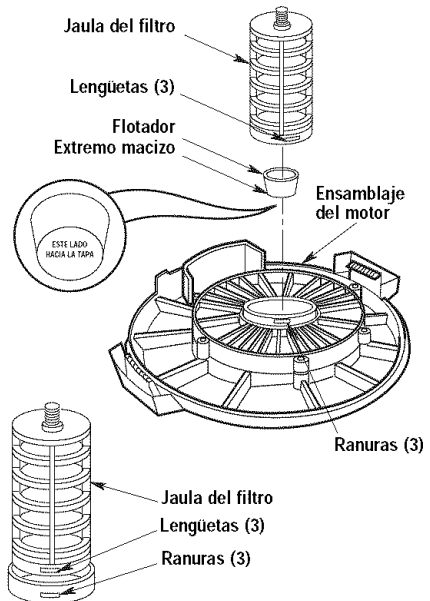
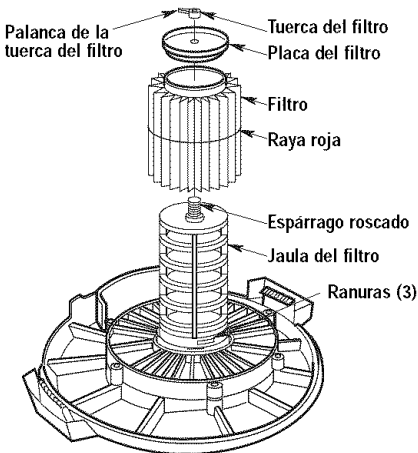
**NOTA:** La palanca de la tuerca del filtro debe estar siempre alejada de la placa, de la manera que se muestra en la ilustración.

**IMPORTANTE:** No apriete excesivamente la tuerca, ya que esto podría deformar o agrietar la placa del filtro, la jaula del filtro o el filtro mismo.

**NOTA:** El filtro tiene una raya roja que coincide con un exhibidor ubicado en el punto de venta de la tienda. Cuando visite una tienda local de Sears, simplemente recuerde el color de la raya de su filtro para obtener el filtro de tamaño correcto.

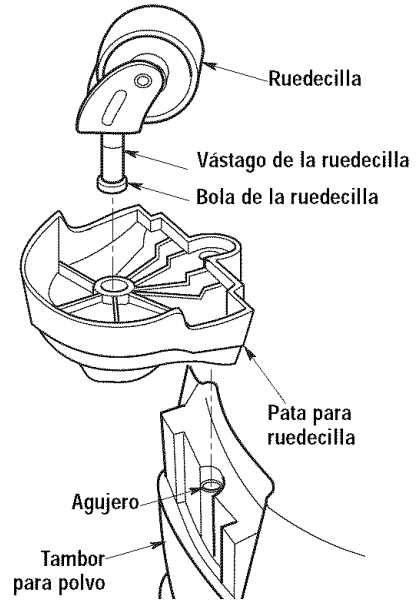
**NOTA:** Si es necesario quitar o reemplazar la jaula del filtro, utilice un destornillador de hoja plana e introduzca la hoja cerca de una de las lengüetas entre la jaula del filtro y el anillo central de la tapa. Haga palanca en la lengüeta para sacarla de la ranura. Inclíne la jaula y levántela hasta separarla de la tapa. Reemplácela de la manera siguiente:

1. Coloque el flotador sobre la abertura ubicada en el centro de la tapa con las palabras "This Side Towards Lid" (Este lado hacia la tapa) orientadas hacia abajo sobre el agujero.
2. Alinee las lengüetas de la jaula del filtro con las ranuras del anillo central de la tapa.
3. Empuje sobre la jaula del filtro hasta que las lengüetas se acoplen a presión en las ranuras para lograr un encaje seguro.



## Ensamblaje de las ruedecillas/patas para ruedecilla —

1. Quite el ensamblaje del motor del tambor para polvo y póngalo a un lado.
2. Ponga el tambor para polvo en posición invertida sobre el piso.
3. Introduzca las patas para ruedecilla en la parte inferior del tambor, tal como se muestra (4 lugares).
4. Ejerza presión sobre la pata para ruedecilla hasta que la pata esté al ras con la parte inferior del tambor para polvo.
5. Introduzca el vástago de la ruedecilla en el receptáculo de la pata para ruedecilla, tal como se muestra (4 lugares).
6. Ejerza presión sobre la ruedecilla hasta que la bola del vástago de la ruedecilla se introduzca del todo en el receptáculo. Se podrá oír como la bola encaja en el receptáculo con un chasquido y la ruedecilla oscilará fácilmente cuando el posicionamiento sea correcto.
7. Ponga el tambor en posición vertical.

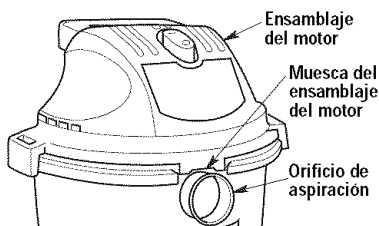


# Ensamblaje de la aspiradora

1. Alinee la parte delantera (lado de la etiqueta y el interruptor) del ensamblaje del motor con el orificio de aspiración ubicado en la parte delantera del tambor.

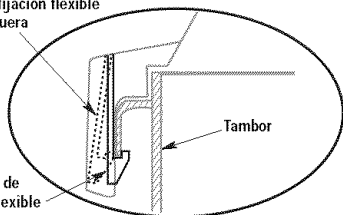
**Nota:** El ensamblaje del motor debe estar alineado con el tambor para lograr una sujeción apropiada.

2. Coloque el ensamblaje del motor sobre la parte superior del tambor.
3. Asegúrese de que el ensamblaje del motor cubra completamente la parte superior del tambor, para que no se produzcan fugas. La muesca ubicada en el ensamblaje del motor debe encajar en la ranura ubicada en el tambor.

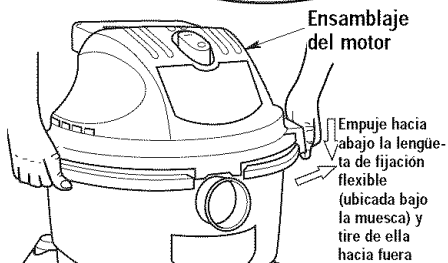


4. Empuje hacia abajo sobre las asas para hacer que las lengüetas de fijación flexibles se enganchen en el reborde del tambor.
5. Asegúrese de que las lengüetas de fijación estén acopladas a presión en su sitio para evitar que la tapa se desprenda (vea el detalle más abajo).
6. Para quitar el ensamblaje del motor, invierta las instrucciones que anteceden.

Lengüeta de fijación flexible tirada hacia fuera



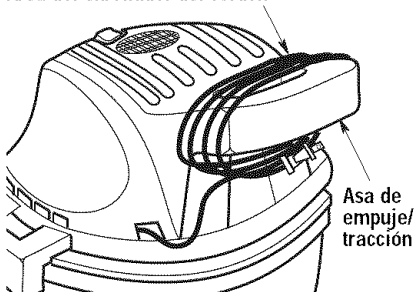
Lengüeta de fijación flexible



## Enrollador del cordón

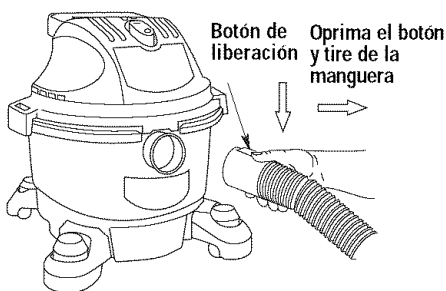
La aspiradora para mojado/seco tiene una conveniente área de enrollador del cordón diseñada en su parte trasera. Simplemente enrolle el cordón de energía alrededor del asa de empuje/tracción y luego acople a presión el conector ubicado en el enchufe a una vuelta del cordón. Una vez hecho esto, el cordón estará enrollado para almacenamiento.

### Área del enrollador del cordón



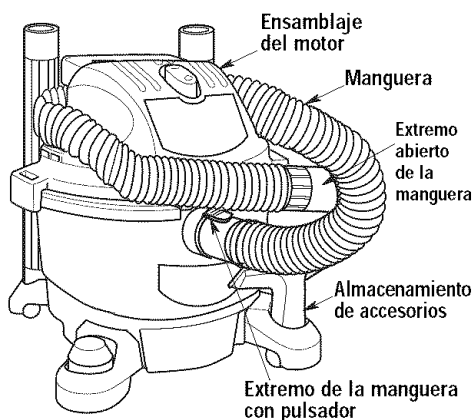
## Introduzca la manguera

Introduzca el extremo de fijación de la manguera "Pos-I-Lock" en la entrada de la aspiradora. La manguera debería acoplarse a presión en su sitio. Para sacar la manguera de la aspiradora, oprima el botón de liberación ubicado en el ensamblaje de la manguera y tire de la manguera hasta sacarla de la entrada de la aspiradora, de la manera que se muestra en la ilustración.



## Almacenamiento de accesorios

Los accesorios se pueden almacenar en las ubicaciones de almacenamiento situadas en los pies de ruedecilla. La manguera se puede almacenar enrollándola alrededor de la unidad de la manera que se muestra en la ilustración.



## Funcionamiento

### ADVERTENCIA

Para reducir el riesgo de incendios o explosión, no haga funcionar esta aspiradora en áreas en las que haya gases inflamables, o vapores inflamables o polvo explosivo en el aire. Entre los gases y vapores inflamables se incluye, pero sin limitarse a ellos, líquidos de encendedor, limpiadores a base de disolventes, pinturas a base de aceite, gasolina, alcohol o rociadores aerosoles. Entre los polvos explosivos se incluye, pero sin limitarse a ellos, el carbón, magnesio, polvo de granos o pólvora. No recoja con la aspiradora polvo explosivo, líquidos inflamables o combustibles, ni cenizas calientes. No use esta aspiradora como rociador. A fin de reducir los peligros para la salud debidos a vapores o polvos, no recoja con la aspiradora materiales tóxicos.

**ADVERTENCIA:** Use siempre anteojos de seguridad que cumplan con la norma ANSI Z87.1 (o en Canadá, con la norma CSA Z94.3) antes de comenzar la operación. Se pueden conseguir anteojos de seguridad en muchas tiendas minoristas locales. La utilización de cualquier aspiradora utilitaria puede hacer que se soplen objetos extraños hacia los ojos, lo cual puede causar daños graves en los ojos.

**PRECAUCIÓN:** Para reducir el riesgo de daños a la audición, use protectores de oídos al utilizar la aspiradora durante muchas horas seguidas o al emplearla en un área ruidosa.

Para reducir el riesgo de sacudidas eléctricas, este aparato electrodoméstico tiene un enchufe polarizado (una hoja es más ancha que la otra). Este enchufe entrará en un tomacorriente polarizado solamente de una manera. Si el enchufe no entra por completo en el tomacorriente, déle la vuelta. Si sigue sin entrar, póngase en contacto con un electricista competente para instalar el tomacorriente adecuado. No haga ningún tipo de cambio en el enchufe.

Después de enchufar el cordón de energía en el tomacorriente, encienda la unidad empujando el interruptor de la posición "O" a la posición "|". Los símbolos utilizados en el accionador del interruptor son los símbolos internacionales de "encendido y apagado". "O" es el símbolo de "APAGADO" y "|" es el símbolo de "ENCENDIDO".

○ = APAGADO | = ENCENDIDO

## Funcionamiento (continuación)

### Recogida de materiales secos con la aspiradora

1. El filtro debe estar siempre en la posición correcta para reducir el riesgo de fugas y posibles daños a la aspiradora.
2. Cuando utilice la aspiradora para recoger polvo muy fino, será necesario que usted vacíe el tambor y limpie el filtro a intervalos más frecuentes para mantener el máximo rendimiento de la aspiradora.

**NOTA:** Se necesita un filtro para medios secos para recoger material seco. Si utiliza la aspiradora para recoger polvo cuando el filtro esté mojado, éste se taponará rápidamente y será muy difícil limpiarlo.

3. Si el filtro está mojado pero usted necesita usar la aspiradora para recoger material seco, puede secar rápidamente el filtro haciendo funcionar la aspiradora sin tener la manguera conectada a ella durante aproximadamente 10 minutos. El aire limpio que atravesará rápidamente la aspiradora ayudará a secar el filtro.

El filtro opcional Craftsman para materiales con calificación HEPA (filtro de aire de alta eficiencia para partículas), número de existencias 9-17912, hará un mejor trabajo a la hora de atrapar las partículas muy finas que el filtro 9-17816.

### Recogida de líquidos con la aspiradora

1. Cuando recoja cantidades pequeñas de líquido, se podrá dejar colocado el filtro en la aspiradora.
2. Cuando recoja cantidades grandes de líquido, recomendamos quitar el filtro. Si no se quita el filtro, éste se saturará y es posible que aparezca niebla en el escape.

**PRECAUCIÓN:** No quite la jaula del filtro ni el flotador. Están ahí para cortar la circulación de aire cuando el tambor esté lleno de líquidos.

3. Después de utilizar la aspiradora para recoger líquidos, se debe secar el filtro para evitar una posible formación de moho y posibles daños al filtro.
4. Cuando el líquido contenido en el tambor de la aspiradora alcance un nivel predeterminado, el mecanismo de flotador subirá automáticamente para cortar la circulación de aire. Cuando esto ocurra, apague la aspiradora, desenchufe el cordón de energía y vacíe el tambor. Sabrá que el flotador ha cortado la circulación de aire porque la succión cesará y el ruido del motor alcanzará una frecuencia más alta debido al aumento de la velocidad del motor.

**IMPORTANTE:** Para reducir el riesgo de dañar la aspiradora, no haga funcionar el motor con el flotador en la posición subida.

### Vaciado del tambor para polvo

**ADVERTENCIA:** Para reducir el riesgo de lesiones por causa de un arranque accidental, desenchufe el cordón de energía antes de vaciar el tambor de la aspiradora.

1. Quite el ensamblaje del motor. Empuje hacia abajo las lengüetas de fijación flexibles y tire de ellas hacia fuera para soltarlas del tambor.
2. Mientras sujeta hacia fuera las lengüetas de fijación, levante el ensamblaje del motor alejándolo del tambor.
3. Ponga el ensamblaje del motor en posición invertida en una superficie limpia mientras vacía el tambor.
4. Tire el contenido del tambor en el recipiente de eliminación de residuos apropiado.
5. La aspiradora para mojado seco de 9 galones 113.177420 viene equipada con un drenaje para vaciar fácilmente los líquidos. Simplemente desenrosque la tapa del drenaje y levante ligeramente el lado opuesto para vaciar el tambor.

**ADVERTENCIA:** Para reducir el riesgo de lesiones en la espalda o de caídas, no levante una aspiradora que pese mucho debido a que contiene líquido o residuos. Saque o vierta bastante contenido para hacer que la aspiradora sea lo suficientemente liviana como para poder levantarla cómodamente.

### Transporte de la aspiradora

Si fuera necesario levantar la aspiradora para transportarla, la pestaña del tambor para polvo se utiliza para levantar la aspiradora. Para maniobrar la aspiradora, se debe usar el asa de empuje/tracción ubicada en la parte trasera de la unidad.

### Dispositivo de soplado

La aspiradora cuenta con un orificio de soplado. Este dispositivo puede soplar aserrín y otros residuos. Siga los pasos que se indican a continuación para utilizar la aspiradora como soplador.

**ADVERTENCIA:** Use siempre anteojos de seguridad que cumplan con la norma ANSI Z87.1 (o en Canadá, con la norma CSA Z94.3) antes de usar la aspiradora como soplador.

**ADVERTENCIA:** Para reducir el riesgo de lesiones a las personas que se encuentren presentes, manténgalas alejadas de los residuos soplados.

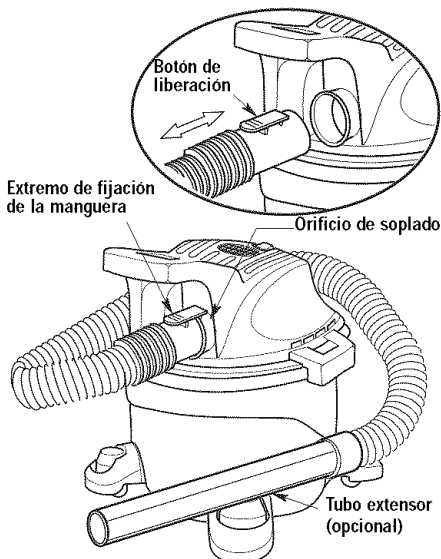
**PRECAUCIÓN:** Para reducir el riesgo de daños a la audición, use protectores de oídos cuando utilice la aspiradora/soplador durante muchas horas seguidas o cuando la utilice en un área ruidosa.

**ADVERTENCIA:** Use una máscara antipolvo si el soplado genera polvo que podría ser inhalado.

1. Localice el orificio de soplado de la aspiradora.
2. Introduzca el extremo de fijación de la manguera "Pos-I-Lock" en el orificio de soplado de la aspiradora. La manguera debería acoplarse a presión en su sitio. Para quitar la manguera de la aspiradora, oprima el botón de liberación ubicado en el ensamblaje de la manguera y tire de la manguera hasta sacarla de la entrada de la aspiradora.

3. (Opcional) Acople un tubo extensor en el extremo opuesto de la manguera.
4. Encienda la aspiradora y estará listo para utilizarla como soplador.

Los accesorios Craftsman recomendados se pueden conseguir en las tiendas minoristas Sears. Se recomienda la boquilla de soplador Sears, número de existencia 9-16933, para soplar residuos.



## Mantenimiento

### Limpieza del filtro de la aspiradora

**ADVERTENCIA:** Para reducir el riesgo de lesiones por causa de un arranque accidental, desenchufe el cordón de energía antes de cambiar o limpiar el filtro.

**NOTA:** Este filtro está hecho de papel de alta calidad diseñado para detener partículas de polvo muy pequeñas. El filtro se puede utilizar para recoger material mojado o seco. Maneje el filtro con cuidado cuando lo quite para limpiarlo o cuando lo instale. Es posible que se formen arrugas en los pliegues del filtro como resultado de la instalación, pero las arrugas no afectarán el rendimiento del filtro.

El filtro se debe limpiar a menudo para mantener un rendimiento óptimo de la aspiradora.

Asegúrese de secar el filtro antes de guardar la aspiradora o de recoger residuos secos.

**IMPORTANTE:** Después de limpiar el filtro, compruebe si este tiene desgarraduras o agujeros pequeños. No use un filtro que tenga agujeros o desgarraduras. Incluso un agujero pequeño puede hacer que salga mucho polvo de la aspiradora. Cambiolo inmediatamente.

### Remoción del filtro

Para quitar el filtro con el fin de limpiarlo o reemplazarlo, quite la tuerca del filtro del tornillo ubicado en la jaula del filtro, quite la placa del filtro y levante el filtro.

**IMPORTANTE:** Para reducir el riesgo de dañar la rueda del soplador y el motor, reinstale siempre el filtro antes de utilizar la aspiradora para recoger material seco.

## Mantenimiento (continuación)

**ADVERTENCIA:** No quite la jaula del filtro. Está ahí para ayudar a evitar que los dedos del operador entren en la rueda del soplador.

### Limpieza de un filtro seco

Se puede lograr un poco de remoción de residuos secos sin quitar el filtro de la aspiradora. Dé una palmada con la mano sobre la parte superior del ensamblaje del motor mientras la aspiradora está apagada.

Para obtener óptimos resultados de limpieza debido a la acumulación de polvo, limpie el filtro en un área abierta. La limpieza SE DEBE realizar al aire libre y no en el interior de la vivienda.

Después de quitar el filtro de la aspiradora, saque los residuos secos golpeando suavemente el filtro contra la pared interior del tambor para polvo. Los residuos se soltarán y caerán.

Para una limpieza a fondo del filtro seco con polvo fino (sin residuos), haga pasar agua a través del filtro tal como se describe bajo "Limpieza de un filtro mojado".

### Limpieza de un filtro mojado

Después de quitar el filtro, haga pasar agua a través de él usando una manguera o desde una espita. Tenga cuidado de que la presión del agua procedente de la manguera no sea lo suficientemente fuerte como para dañar el filtro.

Recuerde: Para secar rápidamente un filtro, reinstale el filtro en la aspiradora y deje que la unidad funcione durante aproximadamente 10 minutos. El aire limpio que atravesará el filtro hará que éste se seque.

### Instalación

Consulte la sección "Ensamblaje del filtro de repuesto" de este manual.

Deje que el filtro se seque antes de guardar la aspiradora.

### Limpieza y desinfección de la aspiradora para mojado/seco

Para mantener el mejor aspecto posible de la aspiradora para mojado/seco, limpie su exterior con un paño humedecido con agua templada y un jabón suave.

Para limpiar el tambor:

1. Vacíe los residuos del tambor.
2. Lave a fondo el tambor con agua templada y un jabón suave.
3. Limpie el tambor con un paño seco.

Antes de un almacenamiento prolongado o según sea necesario (por ejemplo, si se recogen aguas residuales), se debe desinfectar el tambor.

Para desinfectar el tambor:

1. Eche 1 galón de agua y 1 cucharadita de blanqueador de cloro en el tambor.
2. Deje que la solución repose durante 20 minutos y agítela cuidadosamente cada pocos minutos, asegurándose de mojar todas las superficies interiores del tambor.
3. Vacíe el tambor después de 20 minutos. Enjuáguelo con agua hasta que el olor a blanqueador desaparezca. Deje que el tambor se seque completamente antes de sellar el motor sobre el tambor.

### Ruedecillas

Si las ruedecillas hacen ruido, puede poner una gota de aceite en el eje del rodillo para que hagan menos ruido.

### Almacenamiento

Antes de almacenar la aspiradora, se debe vaciar y limpiar el tambor. El cordón se debe enrollar alrededor de la unidad y la manguera se debe almacenar de la manera descrita en este manual. Los accesorios se deben mantener en la misma área que la aspiradora para que estén al alcance de la mano cuando se necesiten. La aspiradora se debe almacenar en interiores.

**ADVERTENCIA:** Para garantizar la **SEGURIDAD** y **CONFIABILIDAD** del producto, las reparaciones y el ajuste deben ser realizados por Centros de Servicio Sears, utilizando siempre piezas de repuesto Sears.

## Boquilla para mojado

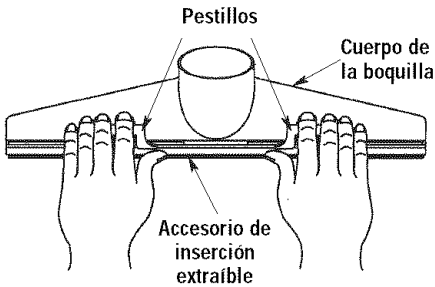
Para recoger líquidos de una superficie lisa, utilice la boquilla accesoria para mojado de 2-1/2 pulgadas suministrada con la aspiradora para mojado/seco. Para utilizar dicha boquilla, simplemente conéctela al extremo de un tubo extensor.

Conecte un segundo tubo extensor al primero y conecte la manguera de 2-1/2 pulg. x 7 pies al tubo extensor.

Los líquidos pueden recogerse arrastrando la boquilla por la superficie. La barredora de goma separará la superficie al usar la aspiradora.

La goma de repuesto para la boquilla de la barredora se puede obtener a través del Departamento de Piezas de Repuesto de Sears. Si la goma se desgasta, se le puede dar la vuelta para utilizarla en el lado contrario, o puede reemplazarse. (Pieza de repuesto No. 822256). Para invertir o reemplazar la barredora de goma:

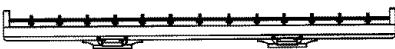
1. Coloque la boquilla para mojado sobre una superficie plana con la abertura de entrada redonda orientada hacia arriba y los dos pestillos cerca de usted, tal como se muestra en la ilustración.



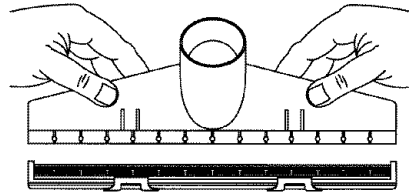
2. Utilizando las dos manos, sitúe los pulgares sobre el accesorio de inserción extraíble (debajo de los pestillos) y dos dedos de cada mano sobre cada pestillo, y levante y desacople los dos pestillos de las lengüetas del cuerpo de la boquilla.
3. Tire suavemente de los pestillos hacia usted para extraer el accesorio de inserción.

Para reinstalar correctamente el accesorio de inserción extraíble, siga estos pasos:

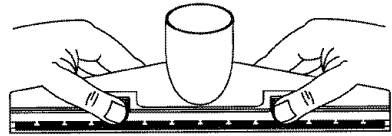
1. Coloque el accesorio de inserción extraíble sobre una superficie plana con los pasadores orientados hacia arriba y los pestillos cerca de usted, tal como se muestra en la ilustración. Coloque la barredora de goma sobre el accesorio de inserción con los pasadores acoplados a través de los agujeros correspondientes de la barredora de goma. (Asegúrese de que el nuevo borde de trabajo esté ubicado lo más alejado posible de usted.)



2. Utilizando las dos manos, baje el cuerpo de la boquilla sobre el accesorio de inserción y la barredora de goma con la abertura redonda de la boquilla lo más cerca posible de usted. Con los dedos situados en el lado alejado y los pulgares sujetando los pestillos del accesorio de inserción extraíble, dé la vuelta a la boquilla de manera que los pestillos queden en la parte de arriba y la abertura de entrada redonda quede orientada de manera que se aleje de usted. Asegúrese de que la barredora de goma permanezca sobre los pasadores del accesorio de inserción.

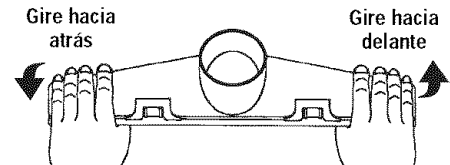


3. Ejercer presión hacia abajo con ambos pulgares debajo de las lengüetas de fijación hasta que vea y escuche cómo el accesorio de inserción extraíble se acopla a presión en el cuerpo de la boquilla. Acople a presión los pestillos sobre las lengüetas de fijación en su posición original.



4. Inspeccione los pasadores del accesorio de inserción para asegurarse de que están acoplados a través de los agujeros de la barredora de goma y de que están acoplados en las ranuras correspondientes del cuerpo de la boquilla.

**NOTA:** Si los pasadores están fuera de posición, sujete el ensamblaje de la boquilla con las dos manos y gírelo suavemente moviendo las manos en sentido contrario. Los pasadores del accesorio de inserción deben acoplarse a presión en la posición adecuada.




El ensamblaje de la boquilla para mojado está listo para usarse en la recogida de material mojado.

# Piezas de repuesto

**Aspiradora para mojado/seco**  
**de 6 galones**                      **0**                      **de 9 galones**  
**Número de modelo 113.177415**                      **Número de modelo 113.177420**  
**Pida siempre por número de pieza —no por número de clave**

## ADVERTENCIA

### SERVICIO DE AJUSTES Y REPARACIONES DE UNA ASPIRADORA CON AISLAMIENTO DOBLE

En una aspiradora para mojado/seco con aislamiento doble se proporcionan dos sistemas de aislamiento en vez de conexión a tierra. No se proporciona ningún medio de conexión a tierra en un aparato electrodoméstico con aislamiento doble, ni se debe añadir a éste ningún medio de conexión a tierra. El servicio de ajustes y reparaciones de una aspiradora para mojado/seco con aislamiento doble requiere sumo cuidado y conocimiento del sistema, y debe ser realizado únicamente por personal de servicio competente. Las piezas de repuesto para la aspiradora para mojado/seco con aislamiento doble deben ser idénticas a las piezas que reemplazan. La aspiradora para mojado/seco con aislamiento doble está marcada con las palabras "DOUBLE INSULATED" (con aislamiento doble) y puede que el símbolo  (un cuadrado dentro de un cuadrado) también esté marcado en los aparatos.

Para reducir el riesgo de lesiones por causa de una descarga eléctrica, desenchufe el cordón de energía antes de realizar servicio de ajustes y reparaciones de las piezas eléctricas de la aspiradora para mojado/seco.

No. de clave	6 galones No. de pieza	9 galones No. de pieza	Descripción
1	828952	828952	Accionador del interruptor
2	813213	813213	Interruptor fe palanca
3	829971-19	829971-20	Cubierta con etiquetas
4	509776-14	509776-15	Motor (incluye los Nos. de clave 5, y 9 a 12)
5	819260-2	819260-2	Ensamblaje de hilos conductores
6	829719-10	829719-10	Cordón con terminales
7	831089	831089-1	Tapa
8	820563-4	820563-4	* Tornillo de cabeza troncocónica de tipo "AB" 10 x 3/4 de cabeza serrada
9	818961	818961	Separador
10	818413-2	818413-3	Rueda del soplador
11	315534-1	315534-1	Arandela
12	826817	826817	Tuerca hexagonal con pestaña 5/16-18
13	820563-5	820563-5	* Tornillo de cabeza troncocónica de tipo "AB" 10 x 1-1/4 de cabeza serrada
14	831032	831032	Colector
15	509238-1	509238-1	Flotador con jaula
16	9-17816	9-17816	† Filtro (raya roja)
17	9-16937	9-16937	† Placa del filtro
18	9-16938	9-16938	† Tuerca del filtro
19	831255	829971-21	Tambor (incluye la clave No. 20, modelo de 9 galones solamente)
20	—	73185	Tapa del drenaje (modelo de 9 galones solamente)
21	825727	825727	Pie de ruedecilla con área de almacenamiento
22	29776	29776	Ruedecilla
23	9-16922	9-16922	† Boquilla utilitaria
24	—	9-17817	† Boquilla para mojado (modelo de 9 gal. solamente)
25	—	822256	Boquilla barredora de goma (modelo de 9 gal. solamente)
26	9-16964	9-16964	† Tubos extensores
27	9-17822	9-17822	† Manguera Pos-I-Lox
28	SP6596	SP6596	Manual del usuario

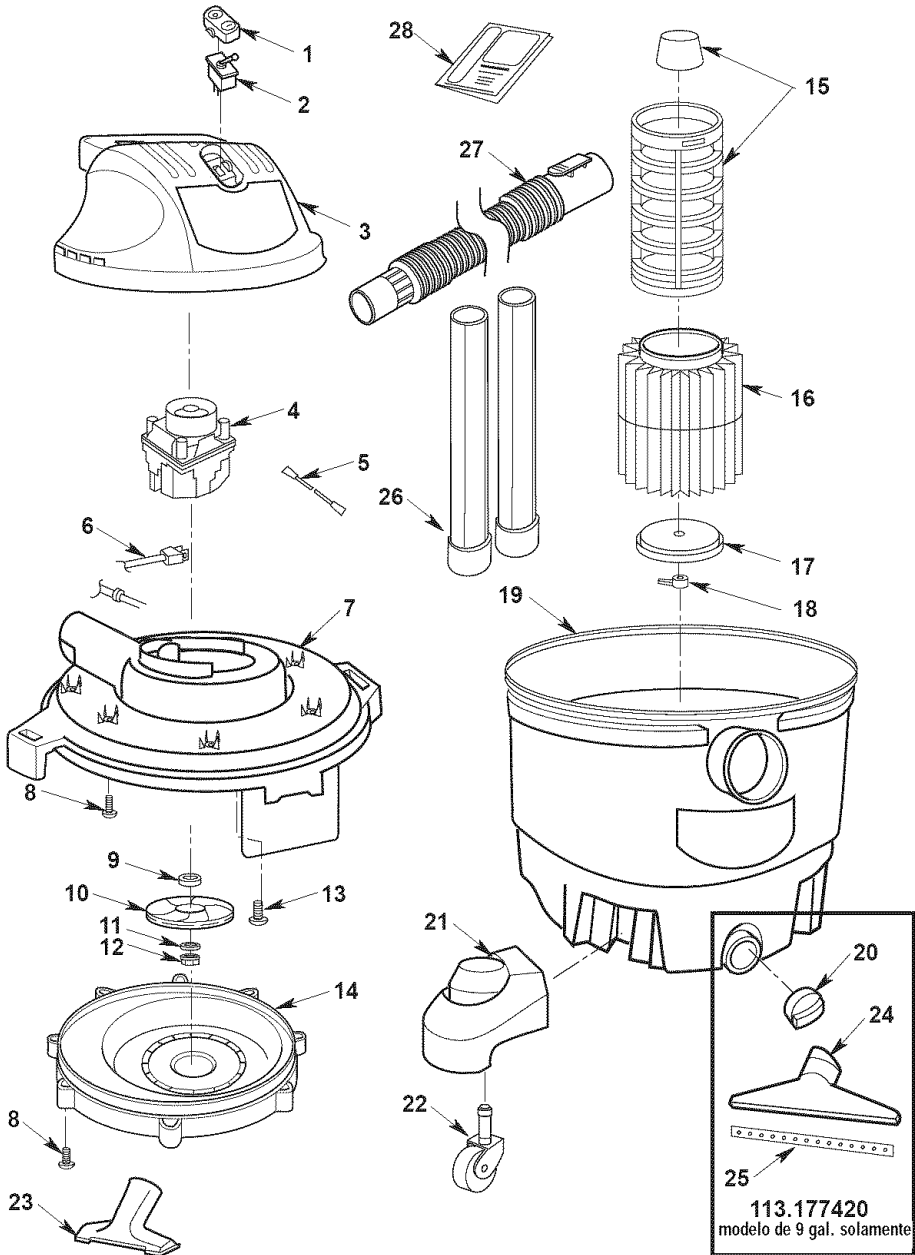
† Artículo de existencias. Se puede obtener a través del departamento de ferretería de la mayoría de las tiendas minoristas Sears.

\* Artículo de herrajes estándar. Se puede comprar localmente.



# Piezas de repuesto

Aspiradora para mojado/seco  
de 6 galones 0 de 9 galones  
Número de modelo 113.177415 Número de modelo 113.177420



# Get it fixed, at your home or ours!

## Your Home

For repair – **in your home** – of **all** major brand appliances, lawn and garden equipment, or heating and cooling systems, **no matter who made it, no matter who sold it!**

For the replacement parts, accessories and owner's manuals that you need to do-it-yourself.

For Sears professional installation of home appliances and items like garage door openers and water heaters.

**1-800-4-MY-HOME®**  
(1-800-469-4663)  
[www.sears.com](http://www.sears.com)

Anytime, day or night  
(U.S.A. and Canada)  
[www.sears.ca](http://www.sears.ca)

---

## Our Home

For repair of carry-in products like vacuums, lawn equipment, and electronics, call or go on-line for the nearest **Sears Parts and Repair Center.**

**1-800-488-1222** Anytime, day or night (U.S.A. only)  
[www.sears.com](http://www.sears.com)

---

To purchase a protection agreement (U.S.A.) or maintenance agreement (Canada) on a product serviced by Sears:

**1-800-827-6655** (U.S.A.)

**1-800-361-6665** (Canada)

---

Para pedir servicio de reparación a domicilio, y para ordenar piezas:

**1-888-SU-HOGAR<sup>SM</sup>**  
(1-888-784-6427)

Au Canada pour service en français:

**1-800-LE-FOYER<sup>MC</sup>**  
(1-800-533-6937)  
[www.sears.ca](http://www.sears.ca)



© Sears, Roebuck and Co.

® Registered Trademark / ™ Trademark / <sup>SM</sup> Service Mark of Sears, Roebuck and Co.

© Marca Registrada / ™ Marca de Fábrica / <sup>SM</sup> Marca de Servicio de Sears, Roebuck and Co.

<sup>MC</sup> Marque de commerce / <sup>MD</sup> Marque déposée de Sears, Roebuck and Co.