

SEARS

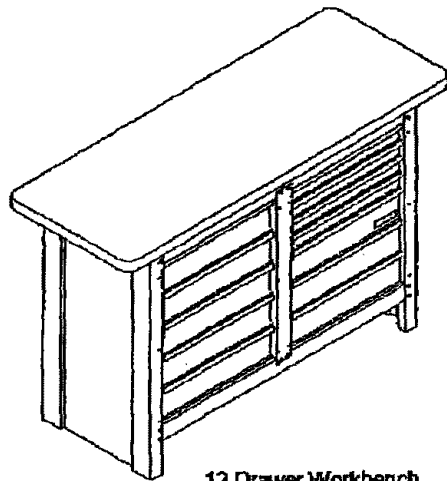
Owner's Manual

CRAFTSMAN® WORKBENCH

Project Center
Model No. 706.102691

Workbench Model No.
8 Drawer 706.655591
8 Drawer 706.650501
9 Drawer 706.655190
10 Drawer 706.650601
12 Drawer 706.103831

Workbench with
Door Model No.
3 Drawer 706.655351
3 Drawer 706.650371
5 Drawer 706.655151
5 Drawer 706.650401
5 Drawer 706.655070



12 Drawer Workbench

CAUTION:

Read and follow all
Safety Rules and Operating
Instructions before first use
of this product.

Sears, Roebuck and Co., Hoffman Estates, IL 60179 USA

 706.655351	 706.655151	 706.655070
 706.650401	 706.650371	 706.102691
 706.650501	 706.650601	 706.103831
 706.655181	SEARS CRAFTSMAN®	 706.655070

Made in the U.S.A.
F909A1
8/96

SAFETY

SAFETY WARNINGS AND CAUTIONS:

- **DO NOT** stand on this product. You may fall which may cause personal injury.
- **WEAR SAFETY GLASSES AND GLOVES** when cutting the banding material. The bands may snap which may cause personal injury.
- **BE CAREFUL** when opening more than one drawer. The product may become unstable and tip, which may cause personal injury or product damage.
- **DO NOT** mount this product on a truck bed or any other moving object. This may cause personal injury or product damage.
- **DO NOT** step in the drawers. You may fall which may cause personal injury.
- Appropriately secure this product before moving it with a forklift.
- **DO NOT** alter this product in any manner. For example, do not weld external lockbars or attach electrical equipment. This may cause product damage or personal injury.
- Lock the drawers and doors before moving this product. The drawers or doors could come open and make the product unstable and tip, which may cause personal injury or product damage.
- The maximum weight for each drawer should be no more than 50 pounds.
- Weight limit on the top of the workbench is 1,000 pounds. If the limit is exceeded, the product could collapse and cause personal injury or product damage.

Call 1-800-366-7278 for Service Parts

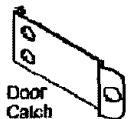
Refer to Service Parts Drawing for full listing of Service Parts



HARDWARE:

(Some units may not include all hardware)

- Spacer
- 1/4-20 Hex Nut
- 1/4-10 X 5/8 Hex Screw
- 8 X 3/4 Slotted Screw
- 1/4-20 X 1/2 Tamper Proof Screw
- 1/4-20 X 7/16 Hex Screw
- Attachment Clip

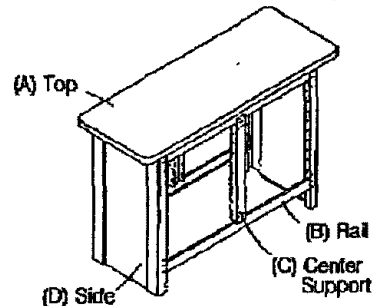


Pegboard Hook

Door Catch

PARTS:

(Some units may not include all parts)

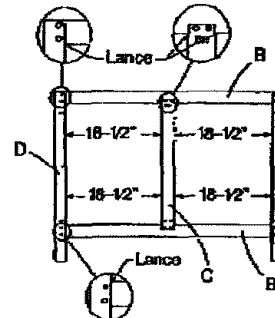


ASSEMBLY

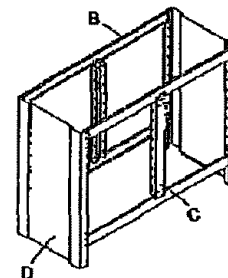
FRAME & SIDE ASSEMBLY:

NOTE: Before attaching the upper rails (B) make sure that the lances are toward the bottom. Before attaching the

lower rails (B) make sure that the lances are toward the top. (See picture below).



- Attach a rail (B) to each side (D) using two 14-10 x 5/8 hex screws on each end. Finger tighten. Repeat the procedure with the remaining rails (B).



- Attach a center support (C), to the rails (B) using two 14-10 x 5/8 hex screws at each joint. Finger tighten. Repeat the procedure with the other support.
- The lances on all of the rails should be flush against the flange on the sides to provide the proper spacing (18 1/2") for the drawers. Square up the frame assembly and tighten the screws. Finger tighten, then tighten 1/4 turn more or torque screws to 40 inch-pounds. **DO NOT OVER TIGHTEN.**

TOP ASSEMBLY:

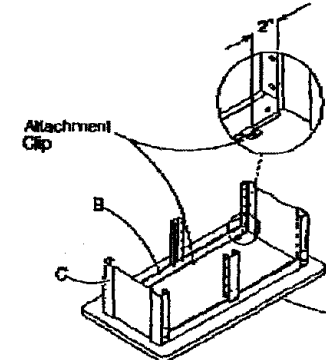
(Dependent on Model)

NOTE: IT IS RECOMMENDED to have another person help with this part of the assembly.

- Place the top (A) on clean dry surface,

(the packing material will work). Place the frame assembly upside down on the top. Position it in a desired location making allowances for centering or offsetting the top to suit your needs.

- Position an attachment clip on the top



flange of the rail (B) approx. two inches from the assembled frame opening end and mark the hole location. Repeat the procedure until all four end attachment clips have been located.

- Position attachment clips on both the front and back rails (B) at the center positions approx. two inches from the center supports. Mark the hole locations.
- Remove the frame assembly and drill the marked locations 1/8" diameter by 1/2" deep in the top. **DO NOT DRILL DEEPER THAN 1/2".**
- Reposition the frame assembly and secure the attachment clips using one 8 x 3/4 slotted screw per clip.

Note: For model no. 706.655070. Set steel top (E) upside down. Place wood top (A) in steel top (E). Mark the hole locations. Remove the wood top (A) and drill the marked locations 1/8" diameter by 1/2" deep in the top. Place the wood top (A) back in the steel top (E). Place spacers (F) as needed between the steel top and the wood top aligned with holes. Using #8 x 3/4" slotted screws, secure steel top and spacers (where necessary) to the wood top in four locations. See graphics on next page.