

lėvoit AERO™

Cordless Vacuum with All-in-One Station



User Manual

Table of Contents

| | |
|-----------------------------|----|
| Package Contents | 2 |
| Specifications | 2 |
| Safety Information | 3 |
| Getting to Know Your Vacuum | 6 |
| Controls & Display | 8 |
| Using Your Vacuum | 9 |
| Attachments | 10 |
| Self-Emptying Function | 13 |
| Care & Maintenance | 14 |
| Cleaning | 16 |
| Storage | 20 |
| Troubleshooting | 21 |
| Warranty Information | 24 |
| Customer Support | 27 |

Package Contents

- 1 × Vacuum Body
- 1 × Stick
- 1 × Vacuum Head
- 1 × 2-in-1 Crevice Tool
- 1 × 2-in-1 Combination Tool
- 1 × Mini Motorized Brush
- 1 × Extension Hose
- 1 × Attachment Clip
- 1 × Dust Bag
- 1 × Cleaning Station
- 1 × Base
- 2 × Screws
- 1 × Hex Key
- 1 × User Manual
- 1 × Quick Start Guide

Specifications

| | |
|-------------------------------------|--|
| Model(s) | LSV-Q601-WUS |
| Battery Input | 28.8V \approx 2,500mAh Li-ion battery |
| Charging Input | 100-240V~ 50/60Hz 0.8A |
| Charging Time | <4 hours |
| Dust Bag Capacity | 0.92 gal / 3.5L |
| Runtime* | Using Vacuum Head <ul style="list-style-type: none">• 40 minutes on MIN• 30 minutes on MED• 15 minutes on MAX• 6 minutes on TURBO Using Nozzle Attachment <ul style="list-style-type: none">• 70 minutes on MIN• 40 minutes on MED• 20 minutes on MAX• 4 minutes on TURBO <i>*Tested at room temperature</i> |
| Rated Power | 550W |
| Suction Power | 180AW |
| Battery Operating Conditions | Charging Temperature: 32°-104°F / 0°-40°C Storage Temperature: -4°-77°F / -20°-25°C Storage Humidity: ≤ 70%RH |

Questions or Concerns?

Please contact us Mon-Fri, 9:00 am-5:00 pm PST/PDT at support@levoit.com or at 1-888-726-8520.



IMPORTANT SAFETY INSTRUCTIONS

When using this vacuum, basic precautions should always be followed, including the following:

READ ALL INSTRUCTIONS BEFORE USING THIS APPLIANCE

WARNING – To reduce the risk of fire, electric shock, or injury:

- **CAUTION:** Risk of injury. Roller brush may start unexpectedly. Remove battery pack before cleaning or servicing.
- **Do not** leave the vacuum unattended while it is on. Unplug from outlet when not charging and before servicing.
- **Do not** use outdoors or on wet surfaces.
- Children should be supervised to ensure that they **do not** play with the vacuum.
- **Do not** allow to be used as a toy. Close attention is necessary when used by or near children.
- This vacuum is not to be used by persons (including children) with reduced physical, sensory, or mental capacities, or lack of experience and knowledge, unless they have been given supervision or instruction concerning the use of the appliance by a person responsible for their safety.
- Children should not clean or perform maintenance on the vacuum without supervision.
- **Only** use the vacuum as described in this manual.
- **Only** use manufacturer's recommended attachments.
- **Do not** use your vacuum if it is damaged or not working correctly, or if the adapter or plug is damaged. **Do not** try to repair it yourself. Contact **Customer Support** (see page 27).
- **Do not** handle the adapter or vacuum with wet hands.
- **Do not** put any object into any opening. **Do not** use the vacuum with any opening blocked. Keep free of dust, lint, hair, or anything that may reduce airflow.
- Keep hair, loose clothing, fingers, and all body parts away from openings and moving parts.
- Use extra care when cleaning on stairs.
- **Do not vacuum the following** (or use where they may be present):
 - Sharp objects such as glass shards, metallic nails, metal paper clips, or pins;
 - Ultrafine particles such as lime, cement, sawdust, gypsum powder, or ashes;
 - Hazardous materials or chemicals such as solvents, drain cleaner, strong acids, or strong alkalis period.

Safety Information (cont.)

- **Always** turn the vacuum off before connecting or disconnecting the stick, attachments, brushes, or vacuum head.
- **Do not** vacuum water or any liquids.
- **Do not** vacuum anything that is burning or smoking, such as cigarettes, matches, or hot ashes.
- **Do not** use without dust bin and filters in place.
- **Do not** point the vacuum at any person or animal while it is on.
- **Do not** use the vacuum in temperatures above 104°F (40°C) or below 32°F (0°C).

BATTERY & POWER ADAPTER

WARNING: Read all safety warnings and instructions. Failure to follow the warnings and instructions may result in electric shock, fire, and/or serious injury.

- **Do not** pull or carry the vacuum by the power adapter, use the cable as a handle, close a door on the cable, or pull the cable around sharp edges or corners. **Do not** run any appliance over the cable.
- Prevent unintentional starting. Ensure the switch is in the Off position before connecting to battery pack, picking up, or carrying the appliance. Carrying the appliance with your finger on the switch or energizing appliance that has the switch on invites accidents.
- Disconnect the battery pack from

the appliance before making any adjustments, changing accessories, or storing appliance. Such preventive safety measures reduce the risk of starting the appliance accidentally.

- **Do not** unplug by pulling on cord. To unplug, grasp the adapter, not the cord. Turn off all controls before unplugging.
- **Never** place the adapter or its cable near any heat source.
- Keep the charging cable out of areas where people walk often. Place the cable where it will not be tripped over.
- **Only** recharge the vacuum with the charger specified by Arovast Corporation. A charger that is suitable for one type of appliance may create a risk of fire when used with a different battery pack. **Only** use with the ZD024M350080US adapter manufactured by E-TEK Electronics Manufactory Ltd. For more information, please contact **Customer Support** (see page 27).
- **Only** use the battery pack specifically designed for this vacuum. Use of any other battery packs may create a risk of injury and fire. **Only** use with the LSV-Q601B-WUS battery pack manufactured by Huizhou Topband Electrical Technology Co., LTD or Jiangsu Tenpower Lithium Co., Ltd. For more information, please contact **Customer Support** (see page 27).

Safety Information (cont.)

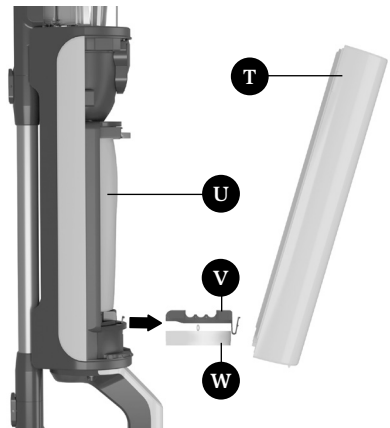
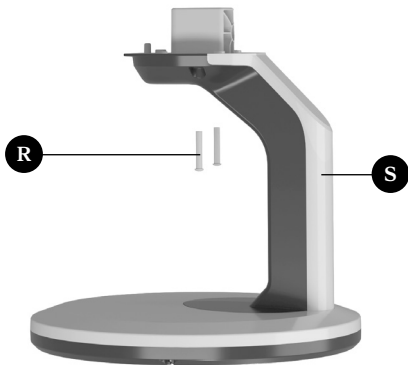
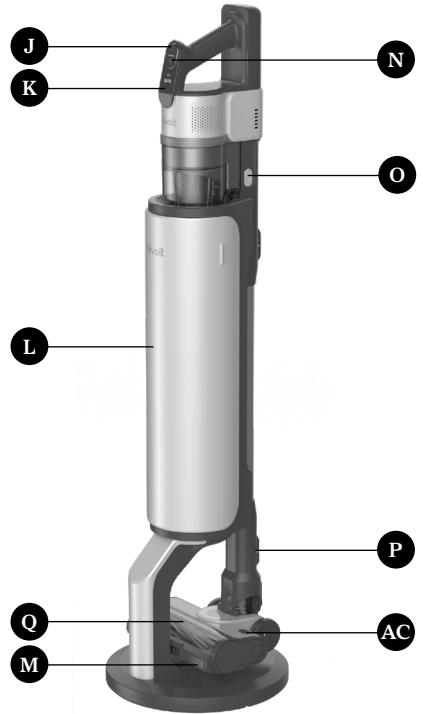
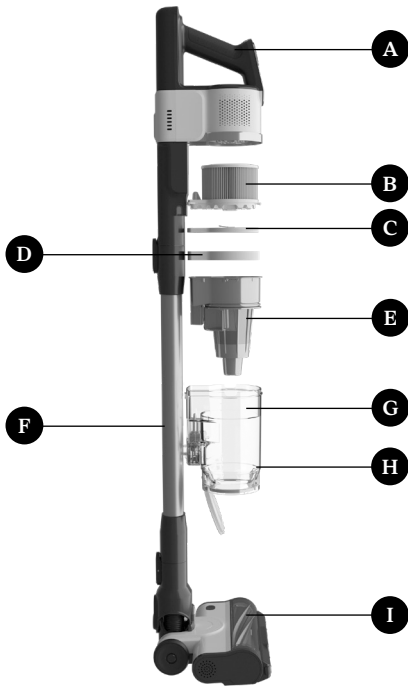
- When the battery pack is not in use, keep it away from other metal objects, like paper clips, coins, keys, nails, screws, or other small metal objects that can make a connection from one terminal to another. Shorting the battery terminals together may cause burns or a fire.
- Under abusive conditions, liquid may be ejected from the battery. Avoid contact. If contact occurs, flush with water. If liquid contacts eyes, immediately flush with water and seek medical help. Liquid ejected from the battery may cause irritation or burns.
- **Do not** use the battery pack or vacuum if they are damaged or modified. Damaged or modified batteries may exhibit unpredictable behavior resulting in fire, explosions, or risk of injury.
- Have servicing performed **only** by a qualified repair person using identical replacement parts. This will ensure that the safety of the vacuum is maintained.
- **Do not** modify or attempt to repair the vacuum or the battery pack except as indicated in the manual.
- **Do not** expose the battery pack or vacuum to fire or excessive temperatures. The battery used in this device may present a risk of fire or chemical burn if mistreated. **Do not** disassemble, short contacts, heat above 140°F (60°C), or incinerate. Exposure to fire or temperatures above 266°F (130°C) may cause an explosion.
- Follow all charging instructions and **do not** charge the battery pack or vacuum outside of the temperature range specified in the instructions. Charging improperly or at temperatures outside of the specified range may damage the battery and increase the risk of fire.
- **WARNING: Do not** use with non-rechargeable batteries.

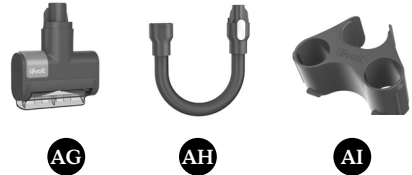
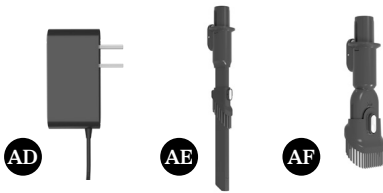
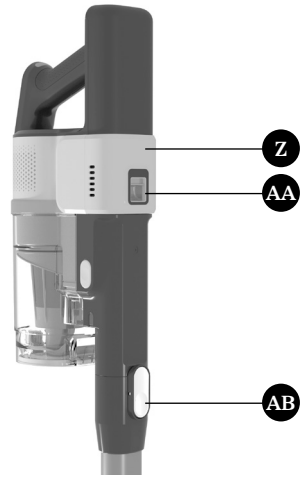
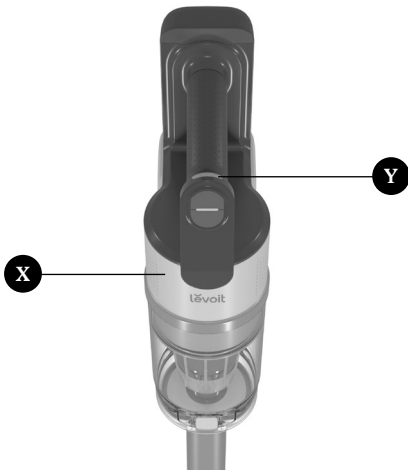
SAVE THESE INSTRUCTIONS

NOT FOR COMMERCIAL USE

HOUSEHOLD USE ONLY

Getting to Know Your Vacuum





- A. Handle
- B. HEPA Filter
- C. Felt Filter
- D. Foam Filter
- E. Cyclone Filter
- F. Stick
- G. Dust Bin
- H. Lid Release Button
- I. Roller Brush
- J. On/Off Button
- K. Display
- L. Cleaning Station
- M. LED Lights
- N. Suction Level Button
- O. Dust Bin Release Button
- P. Vacuum Head Release Button
- Q. Vacuum Head
- R. Screws

- S. Base
- T. Dust Bag Cover
- U. Dust Bag
- V. Station Filter Fixing Frame
- W. Station Filter
- X. Vacuum Body
- Y. Self-Empty Button
- Z. Battery
- AA. Battery Release Button
- AB. Vacuum Body Release Button
- AC. Roller Brush Release Button
- AD. Power Adapter
- AE. 2-in-1 Crevice Tool
- AF. 2-in-1 Combination Tool
- AG. Mini Motorized Brush
- AH. Extension Hose
- AI. Attachment Clip

Controls & Display



Display

- During normal operation, the display shows the current suction level and remaining vacuuming time.
- Shows usage tips, status, error messages, modes, battery level, etc.



On/Off Button

- Turns the vacuum on/off.
- Press and hold for 3 seconds to select a language.



Suction Level Button

- Cycles through suction levels: MIN, MED, and MAX.
- The vacuum will default to MED. Press once for MAX and twice for MIN.
- Press and hold for 5 seconds to switch to TURBO.
- MIN is suitable for daily cleaning.
- MED is suitable for deep cleaning.
- MAX is suitable for tough tasks.
- TURBO is suitable for extremely tough tasks.

SELF EMPTY

Self-Empty Button

- While the vacuum is on the cleaning station, press and hold for 5 seconds to switch between Manual Empty Mode and Auto Empty Mode (see page 13). Default is Manual Empty Mode.
- While in Manual Empty Mode, press to empty the dust bin into the cleaning station.
- Press anytime during emptying to immediately stop the emptying function.

Using Your Vacuum

1. Build the vacuum by aligning the vacuum body with the stick, then pushing them together until they lock in place. *[Figure 1.1]*



Figure 1.1

2. Attach the vacuum head or an attachment to the bottom of the stick. *[Figure 1.2]*

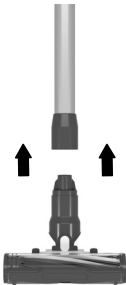


Figure 1.2

Note: There is a clicking sound when the parts are properly joined together.

3. Flip over the base and insert the power adapter cord into the designated slot. *[Figure 1.3]*



Figure 1.3

4. Use the hex key to attach the base to the cleaning station with 2 screws. *[Figure 1.4]*

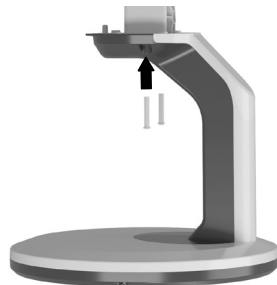


Figure 1.4

Using Your Vacuum (cont.)

5. Plug the cleaning station into an outlet. Place the vacuum onto the cleaning station to charge. *[Figure 1.5]*

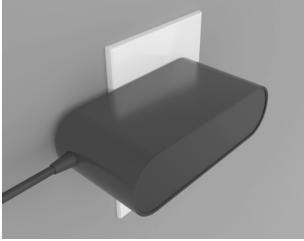


Figure 1.5

Note: Charge the battery fully before first use.

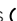


6. Press  to turn the vacuum on. The vacuum will default to MED.
7. Press  to adjust the suction power.
8. Press  to turn the vacuum off.
9. Place the vacuum onto the cleaning station and press **SELF EMPTY** to start the emptying function (see page 13). *[Figure 1.6]*



Figure 1.6

Note: The self-emptying function will open the dust bin cover but won't close it afterwards. **Always** close the dust bin cover before vacuuming.

ATTACHMENTS

Your vacuum comes with attachments to help you tackle almost any cleanup job.

2-in-1 Crevice Tool

- Press button to slide bristles up/down and switch between crevice tool and dusting brush. *[Figure 1.7]*

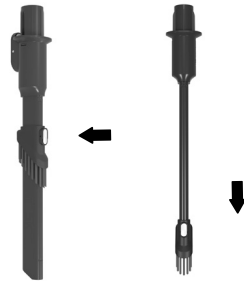


Figure 1.7

- Use the crevice tool to clean hard-to-reach places like crevices in furniture and corners of a room or car.
- Use the dusting brush to clean dust and hard surfaces like mantels or baseboards.

Using Your Vacuum (cont.)

2-in-1 Combination Tool

- Press button to slide bristles up/down and switch between upholstery brush and duster. [Figure 1.8]



Figure 1.8

- Use upholstery brush to clean soft furnishings and upholstery.
- Use duster to clean dust and hard surfaces.

Mini Motorized Brush

- Good for tight spaces and delicate fabric surfaces, such as a bed, sofa, or carpeted stairs.
- Powerfully cleans dirt and pet fur from carpet, upholstery, mattresses, and more. [Figure 1.9]



Figure 1.9

Extension Hose

- Good for hard-to-reach and tight spaces, such as the interior of a car or between appliances.
- Compatible with other attachments. [Figure 1.10]



Figure 1.10

Attachment Clip

- A clip you can secure to the stick to hold your most-used attachments. [Figure 1.11]



Figure 1.11

Using Your Vacuum (cont.)

To use an attachment:

- Press and hold the Vacuum Body Release Button and gently pull the vacuum body from the stick. *[Figure 2.1]*



Figure 2.1

- Insert the attachment onto the vacuum body. *[Figure 2.2]*



Figure 2.2

- Optionally, leave the stick attached to the vacuum body and press the Vacuum Head Release Button to remove the vacuum head. Then, attach the attachment to the end of the stick. *[Figure 2.3]*



Figure 2.3

Note: You can also attach the vacuum body directly to the vacuum head.

To use the attachment clip:

- Snap the attachment clip onto the vacuum stick.
- Insert the 2-in-1 Crevice Tool and 2-in-1 Combination Tool into the slots. *[Figure 2.4]*



Figure 2.4

EMPTYING FUNCTION

Manual Empty Mode

The vacuum is in Manual Empty Mode by default.

- In this mode, the dust bin will not automatically empty until you press the **SELF EMPTY**.
 - **Do not** overfill the dust bin. Empty the dust bin before dust reaches the MAX line.
1. Place the vacuum on the cleaning station.
 2. Press the **SELF EMPTY** and the dust bin will empty into the dust bag located in the cleaning station.
 3. The vacuum charges while on the cleaning station and the current battery level will show on the display.

Auto Empty Mode

While the vacuum is on the cleaning station, press and hold the **SELF EMPTY** for 5 seconds to switch to Auto Empty Mode.

1. Place the vacuum on the cleaning station.
2. The dust bin will automatically empty into the dust bag located in the cleaning station.
3. The vacuum charges while on the cleaning station and the current battery level will show on the display.

Note: The dust bag in the cleaning station needs to be replaced every 2 months. The display will remind you when to replace the dust bag (see page 15).

Language Setting

1. Press and hold **⏻** for 3 seconds to select a language.
2. Press **⏻** to cycle through the language options: English, French, German, Italian and Spanish.
3. After 2 seconds, the new language is automatically set.

Care & Maintenance

BATTERY INSTALLATION

1. Turn the vacuum off. Press the Battery Release Button and remove the battery.
2. To reinstall, slide the battery into the slot in the vacuum body. There will be a clicking sound when the battery is properly installed. [Figure 3.1]



Figure 3.1

Note:

- To maintain the life of the battery, store the vacuum in a cool, dry place.
- Store the battery in a semi-charged state (at least half charged).

CHARGING THE VACUUM

Your vacuum uses a 2,500mAh Li-ion battery. **Only** charge the vacuum on the cleaning station.

Note:

- Make sure the vacuum is turned off before charging.
- Charge after every use.

1. Place the cleaning station near a power outlet. [Figure 3.2]



Figure 3.2

2. Place the vacuum on the cleaning station. [Figure 3.3]



Figure 3.3

Note:

- Make sure the vacuum is upright and in the self-standing position.

Care & Maintenance (cont.)

3. Plug the power adapter into the outlet. The display will show the charging status and current battery level. [Figure 3.4]



Figure 3.4

Note: Charging time is no more than 4 hours.

4. During the charging process, press the On/Off Button, and the display will show the current battery level. When fully charged, the battery will enter standby mode consuming 0.4W of power.

Warning:

- **Only** charge the battery with the charger specified by Levoit.
- If you are not using the battery for an extended period, store it in a cool, dry place.
- Store the battery in a semi-charged state and maintain this by charging the battery every 3 months.
- If you need an additional battery, contact **Customer Support** (see page 27).

REPLACING THE DUST BAG

After about 2 months of use (or when the display says the dust bag is full), you should replace the dust bag in the cleaning station.

1. Pull the dust bag cover to remove it. [Figure 3.5]

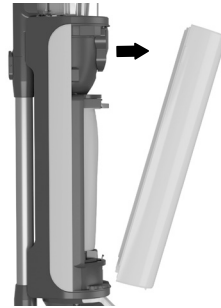


Figure 3.5

2. Pull the blue plastic tab to remove the dust bag. [Figure 3.6]

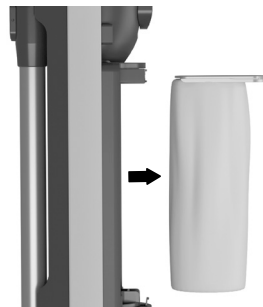


Figure 3.6

Care & Maintenance (cont.)

3. Slide the new dust bag into the slot. Make sure the side with the hole faces outward. [Figure 3.7]

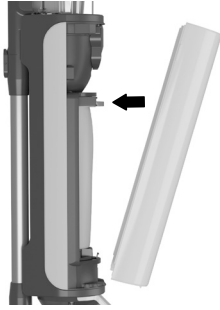


Figure 3.7

4. Place the dust bag cover back on the cleaning station.

Note: The dust bag cover attaches with magnets.

Cleaning

CLEANING THE VACUUM BODY

1. Turn the vacuum off.
2. Wipe the outside of the vacuum and cleaning station with a damp cloth.
3. Allow the vacuum to completely dry before using.

Note: Do not allow water to enter the internal parts or motor of the vacuum.

Cleaning the Filters

To maintain the performance of your filters, they should be routinely washed and replaced.

- The felt and foam pre-filters and cyclone filter should be washed once a month and replaced every 3 months.
- The felt and foam filter in the cleaning station should be washed once a month and replaced every 3 months.
- The HEPA filter should be washed every 2 months and replaced every 6 months. If you notice decreased suction power, or the filter is visibly dirty, clean the filter immediately.
- **Do not** put filters in a dishwasher, washing machine, tumble dryer, oven, or microwave, or place near an open flame.
- **Never** operate the vacuum without the dust bin or filters properly installed.
- **Do not** allow water to enter the internal parts or motor of the vacuum.
- Frequent use may require cleaning the filters more often. Cleaning the filters regularly helps maintain your vacuum's cleaning performance.
- You may need to replace the filters more frequently depending on your use and environment.
- If the surrounding humidity is high, allow the filters to air-dry for a longer time before reinstalling them back into the vacuum.

Replacement Filters: To maintain the performance of your vacuum, **only** use official Levoit filters. For more information, contact **Customer Support** (see page 27).

1. Make sure the vacuum is off and the dust bin is completely empty before cleaning (see **Emptying Function**, page 13).
2. Press the Dust Bin Release Button and pull the dust bin to remove it. [Figure 4.1]



Figure 4.1

3. Pull the blue ribbon to remove the felt filter and foam filter from the top of the dust bin. [Figure 4.2]



Figure 4.2

Cleaning (cont.)

4. Pinch the sides of the cyclone filter and pull up to remove it from the dust bin. [Figure 4.3]



Figure 4.3

5. Grasp the HEPA filter frame inside the vacuum housing, then pull to remove it. [Figure 4.4]



Figure 4.4

6. Remove the dust bag cover from the cleaning station. Pinch the filter frame to remove it, then take out the felt and foam filter. [Figure 4.5]

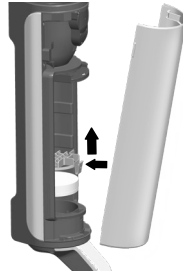


Figure 4.5

7. Rinse the pre-filters, cyclone filter, HEPA filter, and felt and foam filter with water.
8. Allow the filters to air-dry completely under the sun or in a dry, ventilated place before reassembly.
9. Reassemble the dust bin, vacuum body, and cleaning station.

Note:

- Make sure the filters are installed in the correct order.
- The felt pre-filter is installed with the ribbon side facing outward.
- In the cleaning station, the felt and foam filter is installed with the plastic ring facing outward.

Cleaning (cont.)

Cleaning the Roller Brush

Periodically check the roller brush for hair or debris. The roller brush will automatically shut off if it is blocked or jammed.

1. Turn the vacuum off. Detach the vacuum head from the stick by pressing the Vacuum Head Release Button.
2. Press the Roller Brush Release Button, slide the side panel up to open, then pull out the roller brush. *[Figure 4.6]*

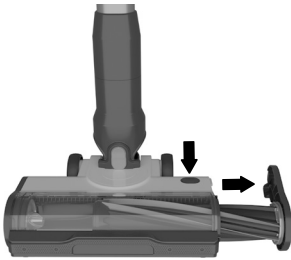


Figure 4.6

3. If the roller brush is jammed, carefully use a pair of scissors or a sharp knife to remove any hair or debris tangled around the roller brush. *[Figure 4.7]*



Figure 4.7

4. Insert the roller brush back into the vacuum head. Slide the side panel down to lock it in place. *[Figure 4.8]*

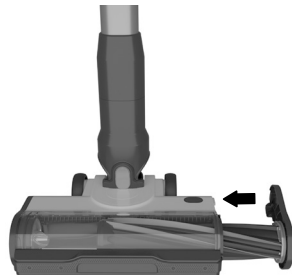


Figure 4.8

Storage

When the vacuum is not in use, store it on the cleaning station.

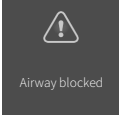
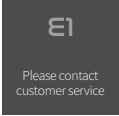
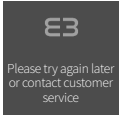
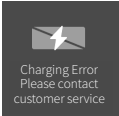
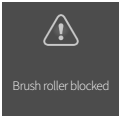
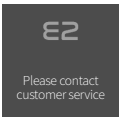
Note:

- **Always** store the vacuum on flat ground. If the vacuum is stored on a slanted surface, it may fall and be damaged.
- If you are not using the battery for an extended period, store it in a cool, dry place.
- Store the battery in a semi-charged state (at least half charged) and maintain this by charging the battery every 3 months.


Disposing of the Battery

- The battery contains materials that are harmful to the environment and must be removed from the vacuum before it is discarded.
- When removing the battery, the vacuum must be turned off.
- Discarded batteries should be handled properly. **Do not** put batteries into fire, water, or soil.
- If battery leakage touches skin or clothing, flush with water immediately to avoid skin injury and seek medical help.

Troubleshooting

| Problem | Display Message | Possible Solution |
|-------------------------------|---|--|
| Vacuum will not turn on. | - | The battery is not installed correctly (see Battery Installation , page 14). Recharge the vacuum (see Charging the Vacuum , page 14). |
| |  Airway blocked | Empty the dust bin and check for blockage inside the vacuum head and stick. Remove any blockage and clean the filters (see Cleaning , page 16). |
| |  Please contact customer service | There is a problem with the vacuum motor. Contact Customer Support (see page 27). |
| |  Please try again later or contact customer service | There is a problem with the battery. Contact Customer Support (see page 27). |
| Vacuum is not charging. |  Charging Error Please contact customer service | The power adapter is not properly plugged in or you are using the wrong power adapter. Use the provided Levoit charger only (see Charging the Vacuum , page 14). |
| Roller brush is not rotating. |  Brush roller blocked | Clean the roller brush and remove any debris blocking the brush (see Cleaning the Roller Brush , page 19). |
| |  Please contact customer service | There is a problem with the roller brush motor. Contact Customer Support (see page 27). |

Troubleshooting (cont.)

| | | |
|---|--|--|
| Vacuum makes an abnormal noise. | - | Clean the roller brush and remove any debris blocking the brush (see Cleaning the Roller Brush , page 19). |
| | | Check for blockage inside the vacuum body, vacuum head, and stick. Remove any blockage (see Cleaning , page 16). |
| | | Check if the dust bin is open. Close the dust bin before vacuuming. |
| Vacuum has low suction power. | - | Battery may be low. Recharge the battery to full charge (see Charging the Vacuum , page 14). |
| | | Clean the roller brush and remove any debris blocking the brush (see Cleaning the Roller Brush , page 19). |
| | | The dust bin and filters may be full. Empty the dust bin and clean the filters (see Cleaning , page 16). |
| | | Check for blockage inside the vacuum body, vacuum head, and stick. Remove any blockage (see Cleaning , page 16). |
| Vacuum releases a bad or unusual smell. | - | The environment's relative humidity may be high or the vacuum may have absorbed water and caused the filter to grow mold. Replace the filters (contact Customer Support , page 27). |
| | | The filters may be dirty. Clean the filters (see Cleaning , page 16). |
| | | The dust bin may be dirty. Empty and clean the dust bin (see Cleaning , page 16). |
| Emptying Function has low suction power. |  Dust bag is full or airway is blocked | Replace the dust bag. Check for blockage inside the vacuum head and stick. Remove any blockage and clean the filters (see Cleaning , page 16). |

If your problem is not listed, please contact **Customer Support** (see page 27).

Federal Communication Commission Interference Statement – Part 15

This device complies with Part 15 of the FCC Rules. Operation is subject to the following two conditions:

1. This device may not cause harmful interference, and
2. This device must accept any interference received, including interference that may cause undesired operation.

NOTE: This equipment has been tested and found to comply with the limits for a Class B digital device, pursuant to Part 15 of the FCC Rules. These limits are designed to provide reasonable protection against harmful interference in a residential installation. This equipment generates, uses and can radiate radio frequency energy and, if not installed and used in accordance with the instructions, may cause harmful interference to radio communications. However, there is no guarantee that interference will not occur in a particular installation. If this equipment does cause harmful interference to radio or television reception, which can be determined by turning the equipment off and on, the user is encouraged to try to correct the interference by one or more of the following measures:

- Reorient or relocate the receiving antenna.
- Increase the separation between the equipment and receiver.
- Connect the equipment into an outlet on a circuit different from that to which the receiver is connected.
- Consult the dealer or an experienced radio/TV technician for help.

FCC Caution: Any changes or modifications not expressly approved by the party responsible for compliance could void the user's authority to operate this equipment.

FCC SDOC Supplier's Declaration Of Conformity

Arovast Corporation hereby declares that this equipment is in compliance with the FCC Part 15 Subpart B. The declaration of conformity may be consulted in the support section of our website, accessible from www.levoit.com

Limited Warranty Information

| | |
|--|--|
| Product Name | Levoit AERO Cordless Vacuum with All-in-One Cleaning Station |
| Model | LSV-Q601-WUS |
| <i>For your own reference, we strongly recommend that you record your order ID and date of purchase.</i> | |
| Order ID | |
| Date of Purchase | |

Levoit Limited Product Warranty

Register your products at <https://warranty.levoit.com/warranty> to stay up to date with important product information such as product updates, limited warranties, usage and maintenance recommendations, and notifications concerning safety warnings or product recalls. Registration is not required to claim your limited warranty.

Two (2) Year Limited Consumer Product Warranty

Arovast Corporation ("Arovast") warrants that the product shall be free from defects in material and workmanship for a period of **2 years from the date of original purchase** ("Limited Warranty Period"), provided the product was used in accordance with its use and care instructions (e.g., in the intended environment and under normal circumstances).

Your Limited Warranty Benefits

During the Limited Warranty Period and subject to this limited Warranty Policy, Arovast will, in its sole and exclusive discretion, either (i) refund the purchase price if the purchase was made directly from the online Levoit store, (ii) repair any defects in material or workmanship, (iii) replace the product with another product of equal or greater value, or (iv) provide store credit in the amount of the purchase price.

Who Is Covered?

This limited warranty extends only to the original consumer purchaser of the product and is not transferable to any subsequent owner of the product, regardless of whether the product transferred ownership during the specified term of the limited warranty. The

original consumer purchaser must provide verification of the defect or malfunction and proof of the date of purchase to claim the Limited Warranty Benefits.

Be Aware of Unauthorized Dealers or Sellers

This limited warranty does not extend to products purchased from unauthorized dealers or sellers. Arovast's limited warranty only extends to products purchased from authorized dealers or sellers that are subject to Arovast's quality controls and have agreed to follow its quality controls. Please be aware, products purchased from an unauthorized website or dealer may be counterfeit, used, defective, or may not be designed for use in your country. You can protect yourself and your products by making sure you only purchase from Arovast or its authorized dealers.

If you have any questions about a specific seller, or if you think you may have purchased your product from an unauthorized seller, please contact our Customer Support Team via support@levoit.com.

What's Not Covered?

- Normal wear and tear, including normal wearing parts, such as dust bin, filter, roller brush, battery, and power cord, or carpet or floor damage due to misuse.
- If the model number, serial number or production date code on the product has been altered, removed or made illegible.
- If the product has been modified from its original condition.
- If the product has not been used in accordance with directions and instructions in the user manual.
- Damages caused by connecting peripherals, additional equipment or accessories other than those recommended in the user manual.
- Damages or defects caused by accident, abuse, misuse, or improper or inadequate maintenance.
- Damages or defects caused by service or repair of the product performed by an unauthorized service provider or by anyone other than Arovast.
- Damages or defects occurring during commercial use, rental use, or any use for which the product is not intended.

- If the unit has been damaged, including but not limited to damage by animals, lightning, abnormal voltage, fire, natural disaster, transportation, dishwasher, or water (unless the user manual expressly states that the product is dishwasher-safe).
- Incidental and consequential damages.
- Damages or defects exceeding the cost of the product.

Claiming Your Limited Warranty Service in 5 Simple Steps:

1. Make sure your product is within the specified limited warranty period.
2. Make sure you have a copy of the invoice and order ID or proof-of-purchase.
3. Make sure you have your product. **DO NOT** dispose of your product before contacting us.
4. Contact our Customer Support Team via support@levoit.com
5. Once our Customer Support Team has approved your request, please return the product with a copy of the invoice and order ID.

Sole and Exclusive Remedy

THE FOREGOING LIMITED WARRANTY CONSTITUTES AROVAST CORPORATION'S EXCLUSIVE LIABILITY, AND YOUR SOLE AND EXCLUSIVE REMEDY, FOR ANY BREACH OF ANY WARRANTY OR OTHER NONCONFORMITY OF THE PRODUCT COVERED BY THIS LIMITED PRODUCT WARRANTY STATEMENT. THIS LIMITED WARRANTY IS EXCLUSIVE, AND IN LIEU OF ALL OTHER WARRANTIES. NO EMPLOYEE OF AROVAST CORPORATION OR ANY OTHER PARTY IS AUTHORIZED TO MAKE ANY WARRANTY IN ADDITION TO THE LIMITED WARRANTY IN THIS LIMITED PRODUCT WARRANTY STATEMENT.

Disclaimer of Limited Warranties

TO THE FULLEST EXTENT PROVIDED BY APPLICABLE LAW, EXCEPT AS WARRANTED IN THIS LIMITED PRODUCT WARRANTY POLICY, AROVAST CORPORATION PROVIDES THE PRODUCTS YOU PURCHASE FROM AROVAST CORPORATION "AS IS" AND AROVAST CORPORATION HEREBY DISCLAIMS ALL WARRANTIES OF ANY KIND, WHETHER EXPRESS OR IMPLIED, STATUTORY, OR OTHERWISE,

INCLUDING BUT NOT LIMITED TO ANY WARRANTIES OF MERCHANTABILITY, NON-INFRINGEMENT, AND FITNESS FOR PARTICULAR PURPOSE.

Disclaimer of Limited Warranties

TO THE FULLEST EXTENT PROVIDED BY APPLICABLE LAW, EXCEPT AS WARRANTED IN THIS LIMITED PRODUCT WARRANTY POLICY, AROVAST CORPORATION PROVIDES THE PRODUCTS YOU PURCHASE FROM AROVAST CORPORATION "AS IS" AND AROVAST CORPORATION HEREBY DISCLAIMS ALL WARRANTIES OF ANY KIND, WHETHER EXPRESS OR IMPLIED, STATUTORY, OR OTHERWISE, INCLUDING BUT NOT LIMITED TO ANY WARRANTIES OF MERCHANTABILITY, NON-INFRINGEMENT, AND FITNESS FOR PARTICULAR PURPOSE.

Limitations of Liability

TO THE FULLEST EXTENT PROVIDED BY APPLICABLE LAW, IN NO EVENT WILL AROVAST CORPORATION, ITS AFFILIATES, OR THEIR LICENSORS, SERVICE PROVIDERS, EMPLOYEES, AGENTS, OFFICERS, OR DIRECTORS BE LIABLE FOR:

(a) DAMAGES OF ANY KIND ARISING OUT OF OR IN CONNECTION WITH PRODUCTS PURCHASED FROM AROVAST CORPORATION IN EXCESS OF THE PURCHASE PRICE PAID BY THE PURCHASER FOR SUCH PRODUCTS, OR

(b) INDIRECT, SPECIAL, INCIDENTAL, CONSEQUENTIAL, OR PUNITIVE DAMAGES EVEN IF AROVAST CORPORATION OR ONE OF ITS SUPPLIERS HAS BEEN ADVISED OF THE POSSIBILITY OR LIKELIHOOD OF SUCH DAMAGES.

AND REGARDLESS OF WHETHER CAUSED BY TORT (INCLUDING NEGLIGENCE), BREACH OF CONTRACT, OR OTHERWISE. OUR LIABILITY SHALL UNDER NO CIRCUMSTANCES EXCEED THE ACTUAL AMOUNT PAID BY YOU FOR THE DEFECTIVE PRODUCT, NOR SHALL WE UNDER ANY CIRCUMSTANCES BE LIABLE FOR ANY CONSEQUENTIAL, INCIDENTAL, SPECIAL OR PUNITIVE DAMAGES OR LOSSES, WHETHER DIRECT OR INDIRECT.

EXCEPT AS COVERED BY THIS LIMITED PRODUCT WARRANTY STATEMENT, AROVAST CORPORATION SHALL NOT BE LIABLE FOR

COSTS ASSOCIATED WITH THE REPLACEMENT OR REPAIR OF PRODUCTS PURCHASED FROM IT, INCLUDING, BUT NOT LIMITED TO, LABOR, INSTALLATION, OR OTHER COSTS INCURRED BY THE USER AND, IN PARTICULAR, ANY COSTS RELATING TO THE REMOVAL OR REPLACEMENT OF ANY PRODUCT.

OTHER RIGHTS YOU MAY HAVE

SOME JURISDICTIONS DO NOT ALLOW FOR: (1) EXCLUSION OF IMPLIED WARRANTIES; (2) LIMITATION ON THE DURATION OF IMPLIED WARRANTIES; AND/OR (3) EXCLUSION OR LIMITATION OF INCIDENTAL OR CONSEQUENTIAL DAMAGES; SO THE DISCLAIMERS IN THIS POLICY MAY NOT APPLY TO YOU. IN THESE JURISDICTIONS YOU HAVE ONLY THE IMPLIED WARRANTIES THAT ARE EXPRESSLY REQUIRED TO BE PROVIDED IN ACCORDANCE WITH APPLICABLE LAW. THE LIMITATIONS OF WARRANTIES, LIABILITY, AND REMEDIES APPLY TO THE MAXIMUM EXTENT PERMITTED BY LAW.

ALTHOUGH THIS LIMITED WARRANTY GIVES YOU SPECIFIC LEGAL RIGHTS, YOU MAY HAVE OTHER RIGHTS IN YOUR JURISDICTION. THIS STATEMENT OF LIMITED WARRANTY IS SUBJECT TO APPLICABLE LAWS THAT APPLY TO YOU AND THE PRODUCT. PLEASE REVIEW THE LAWS IN YOUR JURISDICTION TO UNDERSTAND YOUR RIGHTS FULLY.

CHANGES TO THIS POLICY

We may change the terms and availability of this limited warranty at our discretion, but any changes will not be retroactive.

This warranty is made by:

AROVAST CORPORATION

1775 Flight Way, Suite 150

Tustin, CA 92782, USA

Customer Support

If you have any questions or concerns about your new product, please contact our helpful Customer Support Team.

Distributed by Arovast Corporation

1775 Flight Way, Suite 150
Tustin, CA 92782, USA

Email: support@levoit.com

Toll-Free: 1-888-726-8520

SUPPORT HOURS

Mon–Fri, 9:00 am–5:00 pm PST/PDT

**Please have your order invoice PDF or screenshot(s) ready before contacting Customer Support.*

lěvoit