

# Curtain motorK600 series

## Quick Start Guide



K600/A K610/A K620/A

**FCC Caution:**

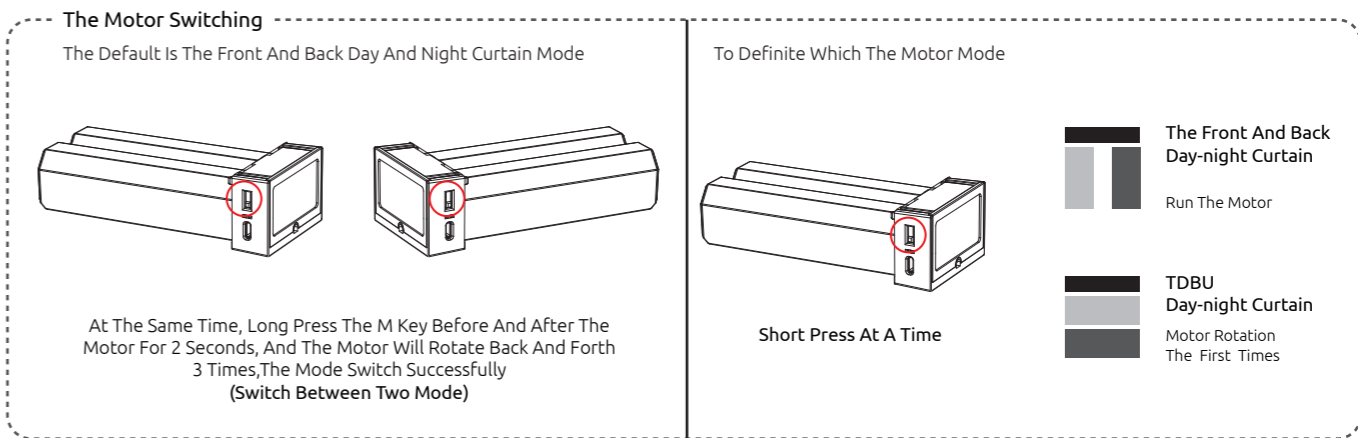
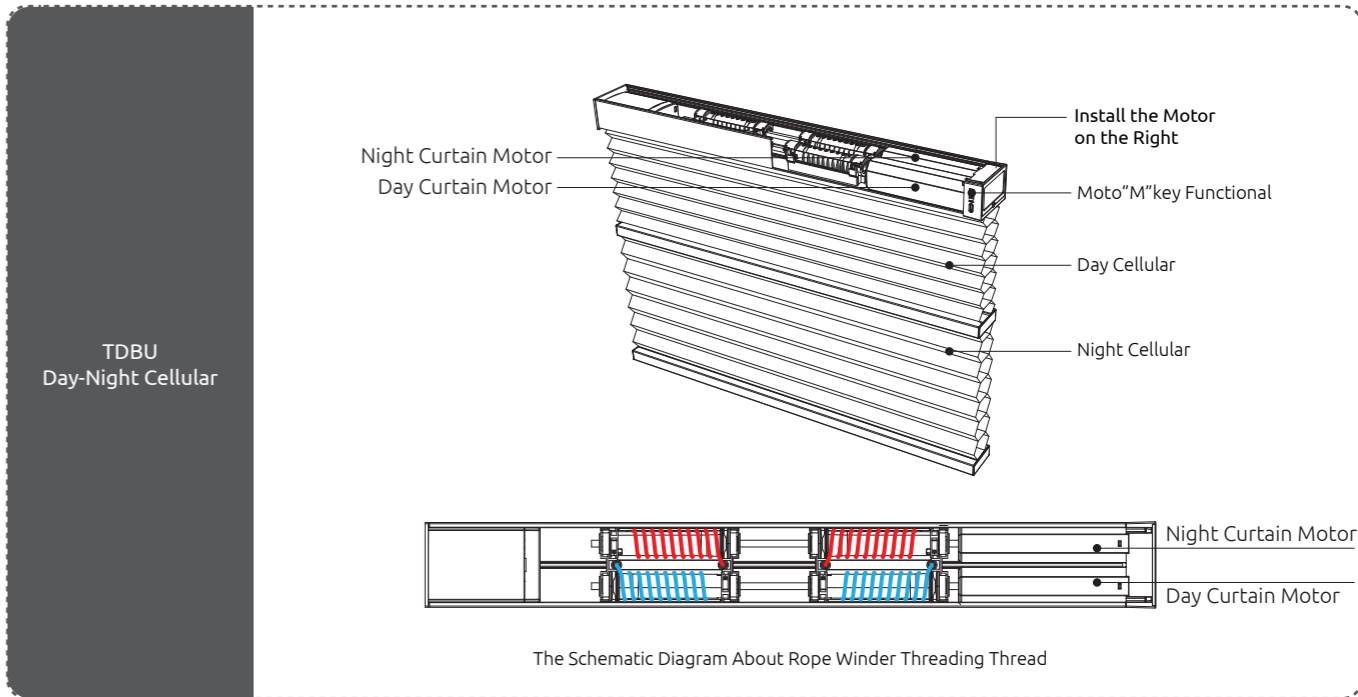
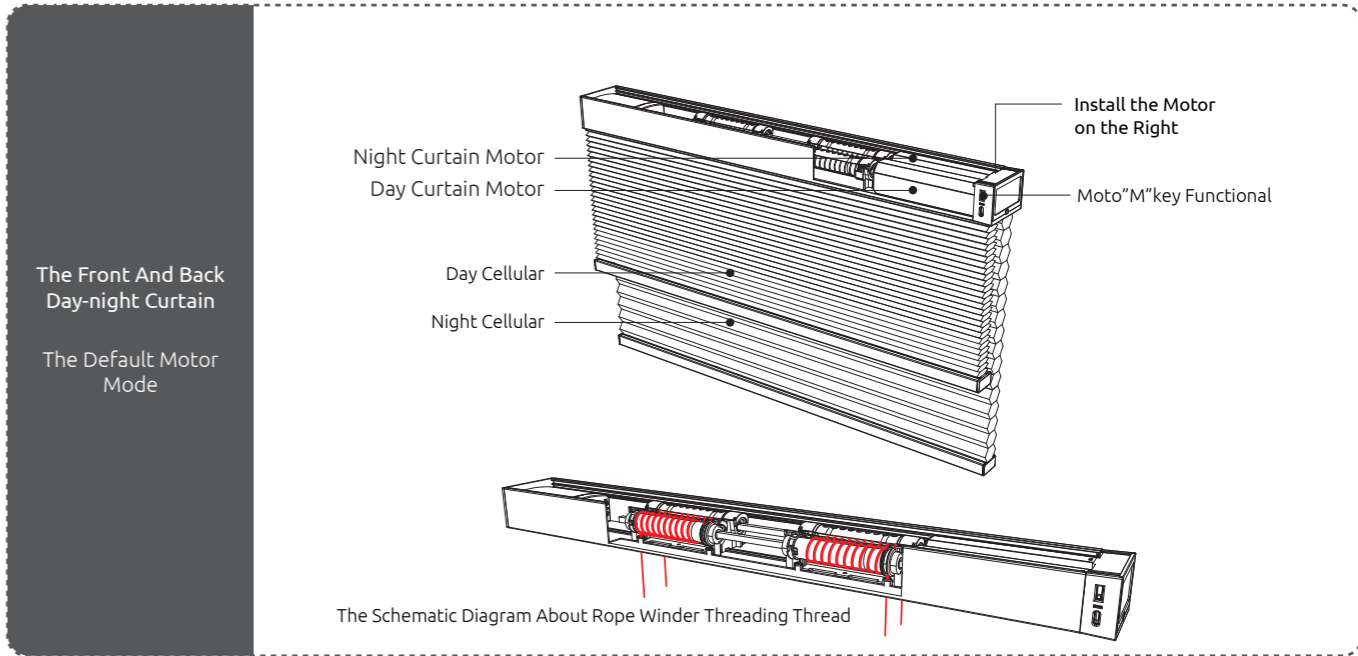
This device complies with part 15 of the FCC Rules. Operation is subject to the following two conditions: (1) this device may not cause harmful interference, and (2) this device must accept any interference received, including interference that may cause undesired operation. Any changes or modifications not expressly approved by the party responsible for compliance could void the user's authority to operate the equipment.

**NOTE:**

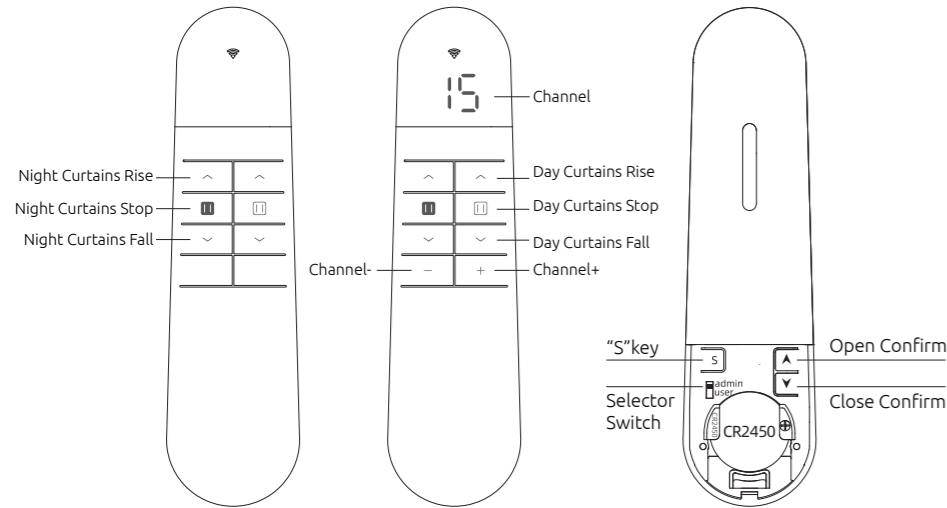
This equipment has been tested and found to comply with the limits for a Class B digital device, pursuant to Part 15 of the FCC Rules. These limits are designed to provide reasonable protection against harmful interference in a residential installation. This equipment generates, uses and can radiate radio frequency energy and, if not installed and used in accordance with the instructions, may cause harmful interference to radio communications. However, there is no guarantee that interference will not occur in a particular installation. If this equipment does cause harmful interference to radio or television reception, which can be determined by turning the equipment off and on, the user is encouraged to try to correct the interference by one or more of the following measures:

- Reorient or relocate the receiving antenna.
- Increase the separation between the equipment and receiver.
- Connect the equipment into an outlet on a circuit different from that to which the receiver is connected.
- Consult the dealer or an experienced radio/TV technician for help.

The device has been evaluated to meet general RF exposure requirement. The device can be used in portable exposure condition without restriction.



## Motor And Emitter Description

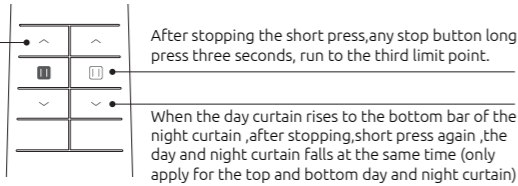


1-Channel Emitter  
AC2001-01D

15-Channel Emitter  
AC2001-15D

Back

When the night curtain rises to the bottom bar of the day curtain ,after stopping,short press again ,the day and night curtain rises at the same time (only apply for the top and bottom day and night curtain).



	Operation	The Motor Feedback	Function
<p>Moto "M" key Functional Specifications</p>	Repeated Short Press	Turn-stop-turn-stop Circular Motion	Emergency Switch (The Front and Back Day-night Curtain)
	Press For 2"	Motor Rotation The First Times	NO EFFECT (TDBU Day-night Curtain)
	Press For 5"	Motor Rotation The Second Time	The Motor Enters The Matching State
	Press For 10"	Motor Rotation The Third Time	K610/A Access To External Intelligent Module Distribution Network K620/A RS485 Modify Address Status
	Press For 15"	Motor Rotation The Fourth Time	Restore The Factory (The Day And Night Curtain Mode is Same)

	Motor	Indicator Status	Reason
<p>Motor Indicator Light Functional Specifications</p>	K600/A	Red Light Flashes	Low Battery
		Charging Red Light On	In The Charging
		Charging Green Light On	Charging >90%



## "admin" mode

In "admin" mode, Emitter channel shows slow flash,  
Channel "00" invalid

### 1. Quick Matching

**STEP 1**  
Make sure the motor is energized.

**STEP 2**  
press the motor "M" button for 2"  
The motor rotates back and forth once  
The motor enters the matching state,(Valid for 60 seconds)

**STEP 3:**

① Select the channel you want to match

② The switch selects "admin" mode

③ Long press "S" for 2" The motor will rotate back and forth once . Match successfully

### 2. Setting Limits

**Step 1: Set Upper Limits**

Use the front button of the transmitter to stop the day curtain and night curtain in turn at the required upper limits point. Long press ▲ for 2 seconds, the motor rotates once, the setting is successful.

**Step 2: Set Lower Limits**

Use the front button of the transmitter to stop the night curtain and the day curtain in turn at the required lower limits point. Long press the back ▼ for 2 seconds, the motor rotates once, and the setting is successful.

**To "user" mode.** Limits setup successful, normal use

① The route setting of day curtain and night curtain must be set at the same time, and the route of the day curtain or night curtain cannot be set separately.

② In Admin mode, curtain operation will switch between inching operation and continuous operation, so as to set the stroke more accurately

③ If you need to modify the route, repeat the above route setting method.

### 3.Delete emitter matches

"S" Press 5 times, motor rotation once.  
Deleting completed

### 4.Light Modulation Function

If you want to match the venetian blind curtain , You need to increase the independent light modulation function ("admin" mode)

At the same time, long press for three seconds, the motor rotates forth and back once, the setting is successful.

\* Repeated cancellation

switch to "user mode" normal use

The used method of light modulation function ("user" mode)

switch to "user mode"

Short press to modulate light

Long press 2 seconds, run up and down

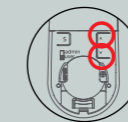
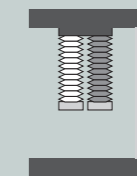
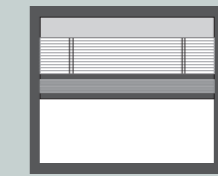


## "user" mode

The user can proceed normally, Operation and use, will not be wrong operation of the motor

### 1. Favorite point

Users need to set a common shading effect, As the chart below shows.  
This position can be set to the Favorite point.



Operate the product to desired preferred position, ▲ + ▼ press both together for 2 seconds, motor rotation once. Set to complete. Repeat , set a new favorite point.

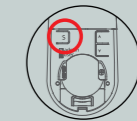
When the curtain stops,long press any stop button on the front of the transmitter for 3seconds,and run to the third limits point.

### 2. Add a new emitter

Normally, emitter A controls the motor, emitter B also needs to control.

#### Method 1

Press 2 times (A) | Press 1 times (B)



Press the S key once,  
The motor rotates once

#### Method 2

Emitter B , "emitter quick matching"

### 3.Motor speed regulation

The running speed of the motor is three gears in total, and the default is gear 1. Slower and quieter.



Both Hold  
Until the motor jog  
up one gear



Both Hold  
Until the motor jog  
reduced by one gear

Only one gear can be raised or lowered in one operation. When switching to the corresponding gear, the number of motor rotation is the same as that of the gear