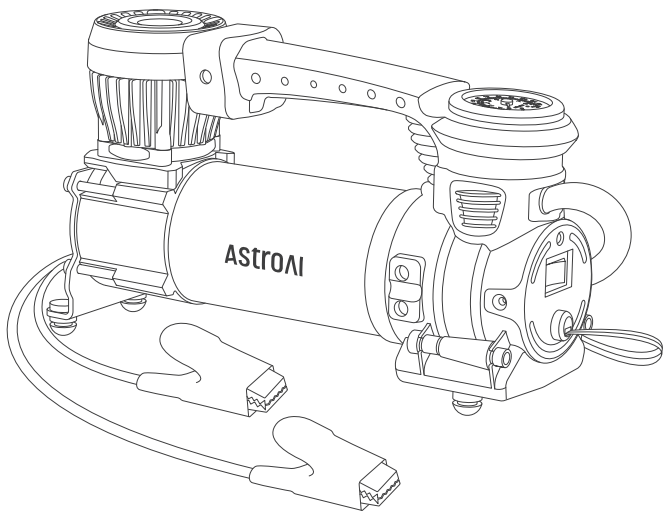


Astromi



AIRUN T3

PORTABLE CAR AIR PUMP USER MANUAL

EN

ES

DE

FR

JP

繁中

简中

INTRODUCTION

EN

Thank you for purchasing the AstroAI T3 AIRUN Car Air Pump.

This pump is powered by a DC 12 V car battery and works as a tire dial gauge, flashlight, and pump capable of rapidly inflating pickups, RVs, ORVs, SUVs, cars, motorcycles, bicycles, and other inflatables. It also includes a set of nozzles for increased compatibility.

We hope you enjoy the T3 AIRUN Car Air Pump! If you have any questions or concerns regarding your product, please contact our Customer Support by email via support@astroai.com.



Please fully read and understand this manual before using this product.
Keep this manual for future reference.

WARNING

- Please read the instructions carefully before use. Incorrect usage may damage the product.
- Please practice electrical safety while using this product.
- Do not use this product for unintended purposes.
- Do not place the pump near any heat sources, such as vehicle exhaust pipes.
- Do not use this product near any flammable liquids or gases.
- Do not disassemble the pump.
- Ensure the pump is intact before use, do not use it if it is damaged.
- Do not use the pump if it is damaged or if its wires are exposed, this is a safety hazard.
- Do not overinflate tires. Excessive pressure may cause injury.
- Keep the device away from fire, corrosive gases, liquids, and strong magnetic fields.
- This product is compatible with Schrader Valves to inflate pickups, RVs, ORVs, SUVs, cars, motorcycles, bicycles, and more.
- Do not store the pump in high-temperature or humid environments.
- When not in use, disconnect the pump from all power sources.
- During use, do not touch any part of the pump apart from the switch and handle. The pump gets hot during use and stays hot for some time after.
- Please let the pump cool for at least 30 minutes after every 25 minutes of continuous use.
- PSI, Bar, kPa, and kg/cm^2 are the pressure units, not the pressure levels.
- Please do not use this product in the rain or near any liquids.
- Do not aim the nozzle at people or any part of a human body.

- This product contains small accessories which are a choking hazard for children. Please keep out of reach of children.
- Do not drag the product by pulling the power cord or the air hose.
- Do not use chemical cleaners to clean the pump. Only use mild soap and a cloth dipped in hot water to clean the plastic parts.
- If the attachments are missing or damaged after the package is delivered, please contact us at support@astroai.com.

PACKAGE INCLUDES

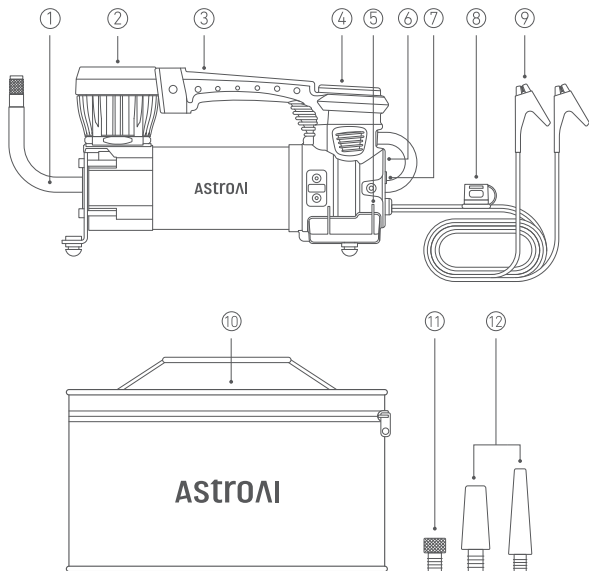
AstroAI T3 AIRUN Car Air Pump	× 1
Air Nozzles	× 2
Presta to Schrader Adapter	× 1
User Manual	× 1
Storage Bag	× 1

FEATURES

- **Longer Power Cord:** DC 8.2 ft (2.5 m)
- **Longer Air Hose:** 16.1 ft (4.9 m)
- **Portable Design:** Easy to carry and store in a car.
- LED light provides illumination in dark environments.

DIAGRAM

EN



① Air Hose

② Cylinder

③ Handle

④ Dial Gauge

⑤ Accessories Groove

⑥ Flashlight

⑦ Switch

⑧ 20 A Fuse

⑨ DC Battery Clamps

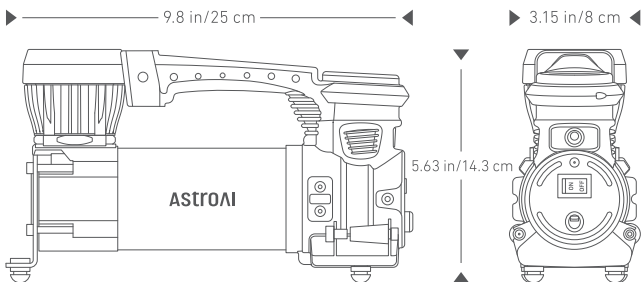
⑩ Storage Bag

⑪ Presta to Schrader Adapter

⑫ Air Nozzles

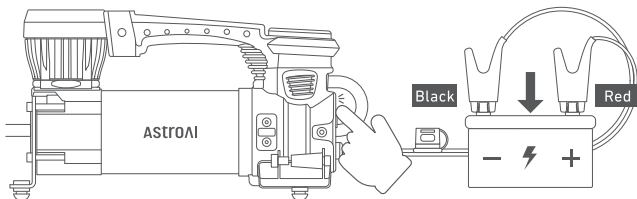
DIMENSIONS

EN

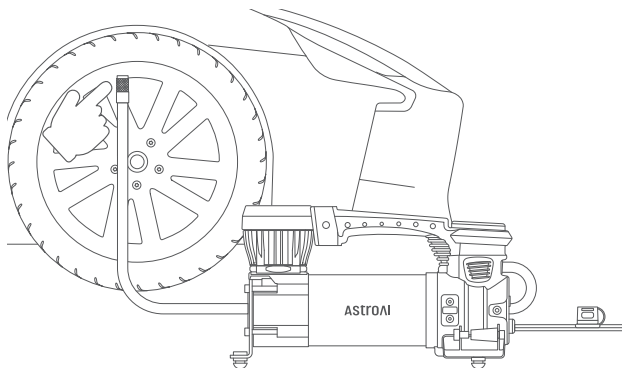


INSTRUCTIONS

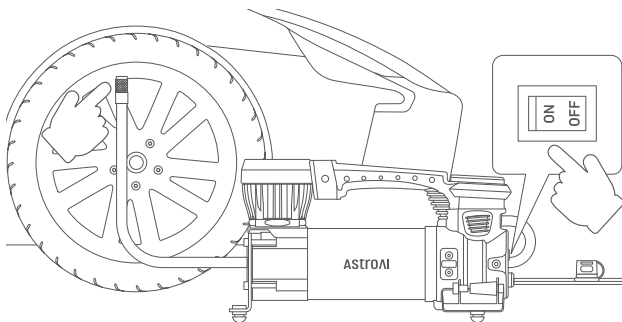
1. **Check the product:** Take the machine out of its storage bag and check if the pump and the power cord are damaged.
2. **Start the engine:** For better performance, please check and start your engine first; ensure the engine is running throughout the inflation process.
3. **Power the pump:** Connect the pump's DC battery clamps to the vehicle's battery. Connect the red clamp to the battery's positive terminal (+) and the black clamp to the battery's negative terminal (-). The pump's LED light will illuminate when it is receiving power.



4. **Connect to the tire:** Remove the valve stem cap from the tire stem.
Connect the brass nozzle of the air hose to the tire's stem and tightly secure it.



5. **Start inflating:** Press the switch to the "ON" side and the machine will start inflating. The dial gauge will display the current pressure value.
When the tire pressure reaches the desired level, press the switch to the "OFF" side to stop inflating.



6. **Storage:** Disconnect the air hose from the tire stem after completing inflation. Remove the DC battery clamps from the vehicle's battery. The LED light will turn off when the pump stops receiving power. Store the product in its storage bag for the next use.

Note

- This product includes 3 nozzles. Connect the desired nozzle to the air hose's brass nozzle to inflate different items.
- Do not exceed the items' manufacturer-recommended tire pressure. Overinflating may cause blown tires or personal injuries.
- During continuous use, the product may get hot. Avoid touching hot parts of the product during or after use.

MAINTENANCE

- This product is self-lubricating and is equipped with a maintenance-free motor, please do not lubricate any part of this product.
- This product is completely sealed at the factory. Do not open the product on your own, or it may be damaged.
- Before repairing, replacing accessories, or when not in use for a long time, please disconnect the product's power supply.

TROUBLESHOOTING

Pump will not Inflate

- Ensure the in-line fuse is securely and correctly inserted; replace the fuse if necessary.
- Ensure the DC battery clamps are securely and correctly connected to the vehicle's battery.

Pump is Operating Abnormally

- The inflation nozzle is not properly connected to the tire's valve stem.
- Poor connection between the battery and the DC battery clamps.

Air Leaking through the Inflation Nozzle

Ensure there is a strong connection between the inflation nozzle and the valve stem.

Slow Inflation

- The inflation nozzle is not properly connected to the tire's valve stem.
- Excessive use will slow the inflation rate of the pump. Turn it off and let it cool for at least 10 minutes.

SPECIFICATIONS

Product Name	Car Air Pump
Model	AIRUN T3
Working Voltage	DC 12 V
Power Rating	240 W
Inflation Speed	56 L/Min
Maximum Working Pressure	120 PSI
Display Units	PSI, Bar, kPa, kg/cm ²
Maximum Current	20 A
Air Hose Length	16.1 ft (4.9 m)
Power Cord Length	DC 8.2 ft (2.5 m)
Dimensions	9.8 × 3.15 × 5.63 in (25 × 8 × 14.3 cm)
Certificates	UL, FCC

RECYCLING

EN

You may dispose of the product when its service life has ended, please recycle the recyclable parts according to local guidelines.

WARRANTY PERIOD

2-Year Limited Warranty from AstroAI

Each AstroAI T3 AIRUN Car Air Pump will be free from defects in material and workmanship.

This warranty does not cover damage from neglect, misuse, contamination, alteration, accident, or abnormal conditions of operation or handling. This warranty covers the original purchaser only and is not transferable.

AstroAI always wants to provide our customers with excellent products and customer service.

Questions or concerns? We're happy to help!

Please contact us via support@astroai.com.

AstroAI

Web: www.astroai.com

E-Mail: support@astroai.com